

# Owner's Manual

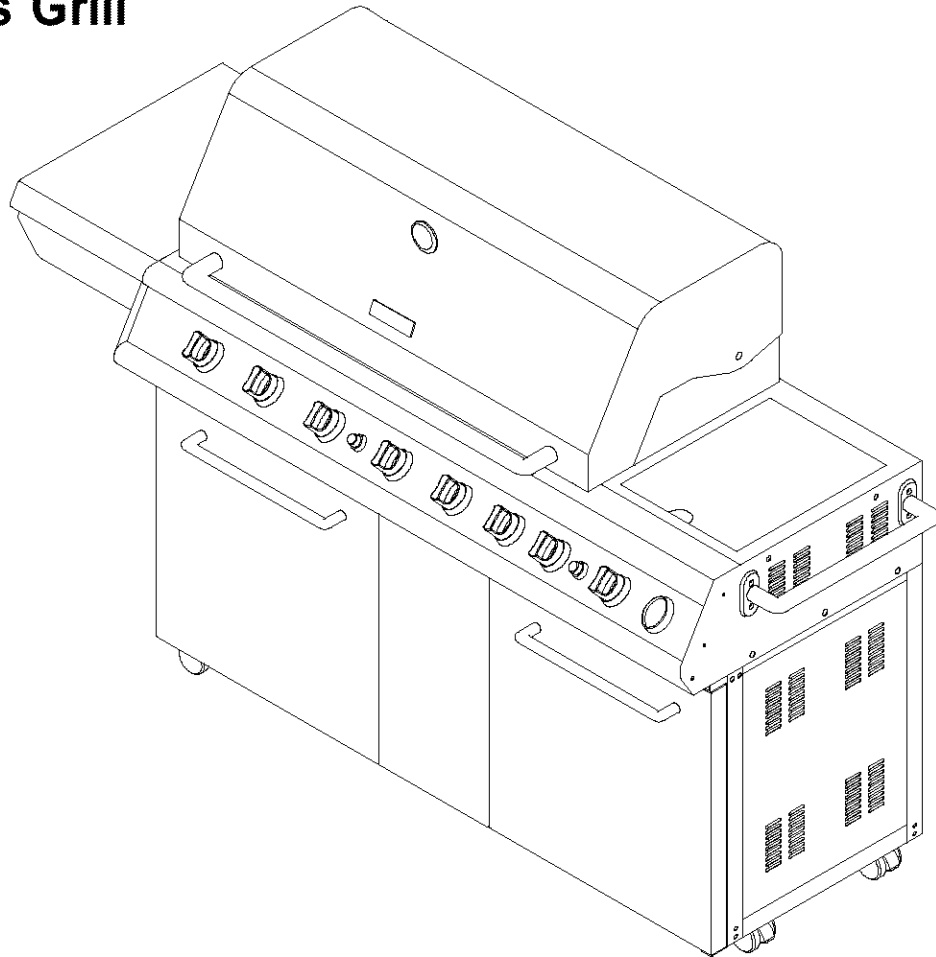


## Liquid Propane Gas Grill

Model 141.16691

## Natural Gas Grill

Model 141.17691



**Grill Information Center:** If you have questions about assembly or grill operation, or if there are damaged or missing parts when you unpack this unit from the shipping box, call us 8am-8pm CST, Monday through Friday at: 1-888-317-7642

### **WARNING:**

Read this Owner's Manual carefully and be sure your gas grill is properly assembled, installed and maintained. Failure to follow these instructions could result in serious bodily injury and/or property damage. This gas grill is intended for outdoor use only and is not intended to be installed in or on recreational vehicles or boats.

**Note to Installer:** Leave this Owner's Manual with the consumer after delivery and/or installation.

**Note to Consumer:** Leave this Owner's Manual in a convenient place for future reference.

**Sears, Roebuck and Co.,  
Hoffman Estates, IL 60179 U.S.A.**

P80106003B - Date: 2004/02/06

## Table of Contents

Warranty .....	2
Safety Instructions .....	2
Hardware .....	6
Parts Diagram and Lists .....	7
Assembly Instructions .....	10
Lighting Instructions .....	16
Cleaning and Maintenance Instructions ....	18
Frequently Asked Questions .....	20
Cooking Instructions .....	A-1
Cooking Guide and Recipes .....	A-2

## Kenmore Elite Grill Warranty

**For the Lifetime of this Kenmore Elite Grill,** Sears will repair or replace, at our option, any Exterior Stainless Steel or Aluminum Casting Parts (except for paint loss).

### Full 2-Year Warranty on Grill:

For 2 years from the date of purchase Sears will repair or replace, at our option, any grill part (except for paint loss, rusting and ignitor battery) that is defective in material or workmanship.

### Limited 3 Year Warranty on Selected Grill Parts:

From 2 years after the date of purchase for a 3-year period, Sears will replace Flame Tamers, Cooking Grids, Burners and All Other Parts (except for ignitor battery) if they are defective in material or workmanship. You will be charged for labor.

### Warranty Service

Warranty service is available by contacting the nearest Sears Service Center at 1-800-4-MY-HOME<sup>®</sup>

### Warranty Restrictions

- This warranty is void if grill is used for commercial or rental purposes.
- This warranty applies only when the grill is used in the United States.
- This warranty gives you specific legal rights, and you may also have other rights which vary from state to state.

**Sears, Roebuck and Co., Dept. 817WA,  
Hoffman Estates, IL 60179**

## Read These Safety Instructions

### WARNING

Combustion byproducts produced when using this product contain chemicals known to the State of California to cause cancer, birth defects, or other reproductive harm.

### WARNING

Failure to comply with these instructions could result in a fire or explosion that could cause serious bodily injury, death, or property damage.

### WARNING

Your grill will get very hot. Never lean over the cooking area while using your grill. Do not touch cooking surfaces, grill housing, Lid or any other grill parts while the grill is in operation, or until the grill has cooled down after use.

Failure to comply with these instructions may result in serious bodily injury.

### WARNING

- (a) Do not store a spare LP-gas cylinder under or near this appliance;
- (b) Never fill the cylinder beyond 80 percent full; and
- (c) If the information in "(a)" and "(b)" is not followed exactly, a fire causing death or serious injury may occur.

### FOR YOUR SAFETY

1. Do not store or use gasoline or other flammable material and liquids in the vicinity of this or any other appliance.
2. A LP cylinder not connected for use must not be stored in the vicinity of this or any other appliance.

### FOR YOUR SAFETY

If you smell gas:

1. Shut off gas to the appliance.
2. Extinguish any open flame such as candle, cigarette, lighter, etc., that could cause gas to ignite.
3. Open the Grill Lid.
4. If odor continues, immediately call your gas supplier or your fire department.

## LP Gas Safety Instructions

**IMPORTANT:** Your Kenmore LP Gas Grill cannot be converted to use Natural Gas. Attempting to do so is extremely hazardous and will also void the grill warranty.

### Grill Installation Codes

The installation must conform with local codes or, in the absence of local codes, with either the National Fuel Gas Code, ANSI Z223.1/NFPA 54, or CAN/CGA-B149.1, Natural Gas and Propane Installation Code.

### Correct LP Gas Tank Use

LP gas grill models are designed for use with a standard 20 lb. Liquid Propane Gas (LP gas) tank, not included in grill box. **Never** connect your gas grill to an LP gas tank that exceeds this capacity. A tank of approximately 12 inches in diameter by 18-1/2 inches high is the maximum size LP gas tank to use. **You must use an "OPD" gas tank which offers a listed Overfill Prevention Device.** This safety feature prevents tank from being overfilled which can cause malfunction of LP gas tank, regulator and/or grill.

The LP gas tank must be constructed and marked in accordance with the Specifications for LP-Gas Cylinders of the U.S. Department of Transportation (D.O.T.) or the National Standard of Canada, CAN/CSA-B339, Cylinders, Spheres and Tubes for Transportation of Dangerous Goods; and Commission, as applicable.

1. The LP gas tank has a shutoff valve, terminating in an LP gas supply tank valve outlet, that is compatible with a Type 1 tank connection device. The LP gas tank must also have a safety relief device that has a direct connection with the vapor space of the tank.
2. The tank supply system must be arranged for vapor withdrawal.
3. The LP gas tank used must have a collar to protect the tank valve.

### Proper Placement and Clearance of Grill

**Never** use your gas grill in a garage, porch, shed, breezeway or any other enclosed area. Your gas grill is to be used **outdoors only**, at least 24 inches from the back and side of any combustible surface. Do not locate this appliance under overhead unprotected combustible surfaces. Do not obstruct the flow of ventilation air around the gas grill housing.

This outdoor gas grill is not intended to be installed in or on recreational vehicles and/or boats.

- **Never** connect an unregulated LP gas tank to your gas grill. The gas regulator assembly supplied with your gas grill is adjusted to have an outlet pressure of 11" water column (W.C.) for connection to an LP gas tank.
- Only use the regulator and hose assembly supplied with your gas grill. Replacement regulators and hose assemblies must be those specified by Sears.
- Have your LP gas tank filled by a reputable propane gas dealer and visually inspected and re-qualified at each filling.
- Never fill the gas tank beyond 80% full. Have your propane gas dealer check the release valve after every filling to ensure that it remains free of defects.
- Always keep LP gas tanks in upright position. Do not store (or use) gasoline or other flammable vapors and liquids in the vicinity of this gas grill.
- LP gas tanks not connected for use must NOT be stored on bottom shelf or in the vicinity of this or any other gas grill.
- Do not subject the LP gas tank to excessive heat.
- Never store an LP gas tank indoors. If you store your gas grill in the garage or other indoor location, **always** disconnect the LP gas tank first and store it safely outside.

- LP gas tanks must be stored outdoors in a well-ventilated area and out of the reach of children. Disconnected LP gas tanks must not be stored in a building, garage or any other enclosed area.
- When your gas grill is not in use the gas must be turned off at the LP gas tank.
- The regulator and hose assembly can be seen after opening the doors (if applicable), must be inspected before each use of the grill. If there is excessive abrasion or wear or if the hose is cut, it must be replaced prior to the grill being used again.
- Keep the gas regulator hose away from hot grill surfaces and dripping grease. Avoid unnecessary twisting of hose. Visually inspect hose prior to each use for cuts, cracks, excessive wear or other damage. If the hose appears damaged do not use the gas grill. Call Sears at 1-800-4-MY-HOME® (1-800-469-4663) for a Sears authorized replacement hose.
- **Never** light your gas grill with the lid closed or before checking to ensure the burner tubes are fully seated over the gas valve orifices.
- **Never** allow children to operate your grill. Do not allow children to play near your grill.

### WARNING

If you smell gas:

- Shut off gas supply to the gas grill.
- Turn the Control Knobs to OFF position.
- Extinguish any open flame such as candle, cigarette, lighter, etc., that could cause gas to ignite.
- Open the Grill Lid.
- Get away from the LP gas tank.
- Do not try to fix the problem yourself.
- If odor continues or you have a fire you cannot extinguish, call your fire department. Do not call near the LP gas tank because your telephone is an electrical device and could create a spark resulting in fire and/or explosion.

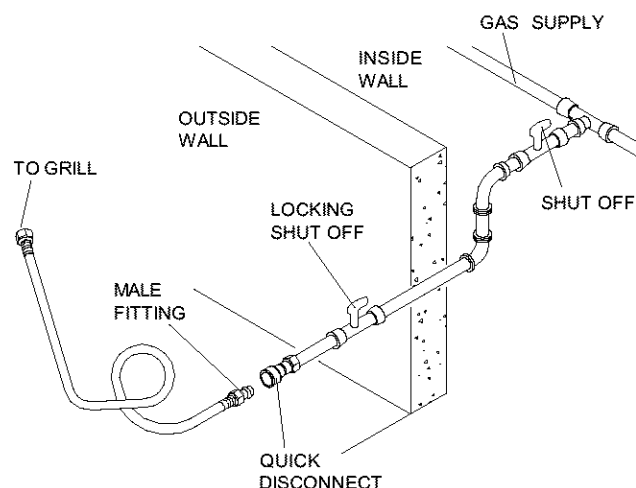
**NOTE:** The normal flow of gas through the regulator and hose assembly can create a humming noise. A low volume of noise is perfectly normal and will not interfere with operation of the grill. If humming noise is loud and excessive you may need to purge air from the gas line or reset the regulator excess gas flow device. This purging procedure should be done every time a new LP gas tank is connected to your grill. For help call the Grill Information Center for assistance, **8am - 8pm CST, Monday through Friday 1-888-317-7642.**

## Natural Gas Safety Instructions

**IMPORTANT:** your Kenmore Natural Gas Grill cannot be converted to use LP Gas. Attempting to do so is extremely hazardous and will also void the grill warranty.

- Your natural gas grill is designed to operate on natural gas only, at a pressure of 7" water column (W.C.) (1/4 psi or 1.75 kpa), regulated at the residential meter. Check with your gas utility company for local gas pressure and with your local municipality for building code requirements. If your residential gas line pressure has not been regulated to 7" W.C., contact your local gas utility company for professional assistance.
- It is recommended that a Shutoff Valve be installed at the gas supply source outdoors. Install at a point after the gas pipe exits the outside wall and before the quick-disconnect hose, or install it at the point before the gas line piping enters the ground. See **Figure 1**.
- Pipe sealing compound or pipe thread tape resistant to the action of natural gas must be used on all male pipe threads when making the connection.
- Disconnect your gas grill from fuel source when the gas supply is being tested at high pressures. This gas grill and its individual shutoff valve must be disconnected from the gas supply pipe system during any pressure testing of that system at pressure in excess of 1/2 psi (3.5kpa).
- Turn off your gas grill when the gas supply is being tested at low pressures. The grill must be isolated from the gas supply pipe system by closing its individual manual shutoff valve during any pressure testing of the gas supply pipe system at pressures equal to or less than 1/2 psi (3.5kpa).

Figure 1 (Natural gas model only)



## CAUTION: BEWARE OF FLASHBACK

**CAUTION:** Spiders and small insects occasionally spin webs or make nests in the grill Burner Tubes during transit and warehousing. These webs can lead to a gas flow obstruction which could result in a fire in and around the Burner Tubes. This type of fire is known as a "FLASHBACK" and can cause serious damage to your grill and create an unsafe operating condition for the user.

To reduce the chance of "FLASHBACK", you must clean the burner tubes before assembling your grill, and at least once a month in late summer or early fall when spiders are most active. Also perform this Burner Tube cleaning procedure if your grill has not been used for an extended period of time.



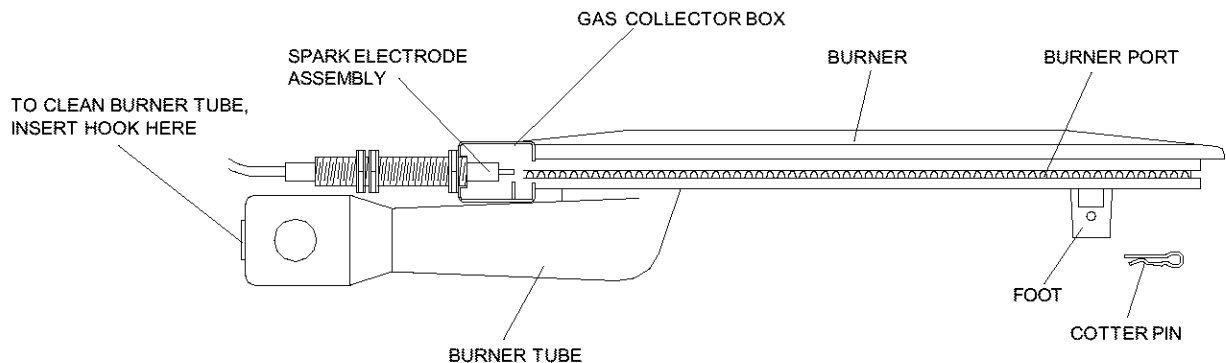
## Flashback Prevention

To reduce the chance of "FLASHBACK" (see **CAUTION** at left) clean the Burner Tubes and Burners **before** fully assembling your grill. Remove the Cotter Pin from the rear underside of each Burner using a pair of long nose pliers. Carefully lift each Burner up and away from the Gas Valve Orifice, then refer to **Figure 1** and perform one of these three cleaning methods:

1. Bend a stiff wire, (a lightweight coat hanger works well) into a small hook as shown below. Run the hook through the Burner Tube and inside the Burner several times to remove any debris.
2. Use a bottle brush with a flexible handle. Run the brush through the Burner Tube and inside the Burner several times, removing any debris.
3. Use an air hose to force air through each Burner Tube. The forced air should pass debris or obstructions through the Burner and out the Ports.



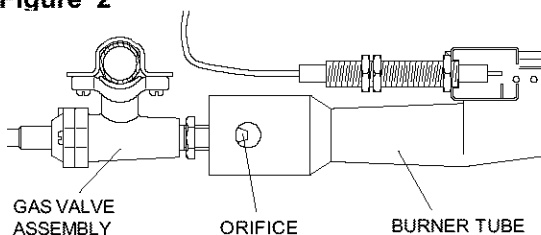
Figure 1



## ⚠ WARNING

The location of the Burner Tube with respect to the Orifice is vital for safe operation. Check to ensure the Orifice is inside the Burner Tube before using your gas grill. See **Figure 2**. If the Orifice is not inside the Burner Tube, lighting the Burner may cause explosion and/or fire.

Figure 2



## Tools Required for Assembly

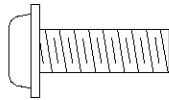
- #2 phillips screwdriver
- Protective work gloves
- Eye protection
- Utility knife

## Contents for Hardware Pack/LPG (Part #P06001019A)

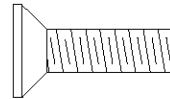
The following table illustrates a breakdown of the hardware pack. It highlights what components are used in the various stages of assembly.

Ref.	Component	Qty.	Purpose of Components
S122G04121	Phillips Head Screw 1/4"x3/4"	4	Attaches Side Shelf To Grill Head
S142G04121	Countersink Flat Head Screw 1/4"x3/4"	4	Attaches Cart Side Handle To Grill Head
P05301001A	AA Battery	2	Powers The Electric Ignitor
P05301003A	9V Battery	1	Powers The Fuel Gauge Display (LPG model only)

### Size and Quantity of each Hardware Piece:



Phillips Head Screw 1/4"x3/4"  
Qty. 4  
Ref. # S122G04121



Countersink Flat Head Screw 1/4"x3/4"  
Qty. 4  
Ref. # S142G04121



AA Battery  
Qty. 2  
Ref. # P05301001A  
Scale 1:2



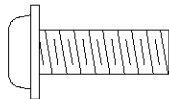
9V Battery (LPG model only)  
Qty. 1  
Ref. # P05301003A  
Scale 1:2

## Contents for Hardware Pack (Part #P06001020A) (NG)

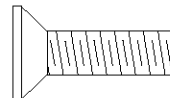
The following table illustrates a breakdown of the hardware pack. It highlights what components are used in the various stages of assembly.

Ref.	Component	Qty.	Purpose of Components
S122G04121	Phillips Head Screw 1/4"x3/4"	4	Attaches Side Shelf To Grill Head
S142G04121	Countersink Flat Head Screw 1/4"x3/4"	4	Attaches Cart Side Handle To Grill Head
P05301001A	AA Battery	2	Powers The Electric Ignitor

### Size and Quantity of each Hardware Piece:



Phillips Head Screw 1/4"x3/4"  
Qty. 4  
Ref. # S122G04121



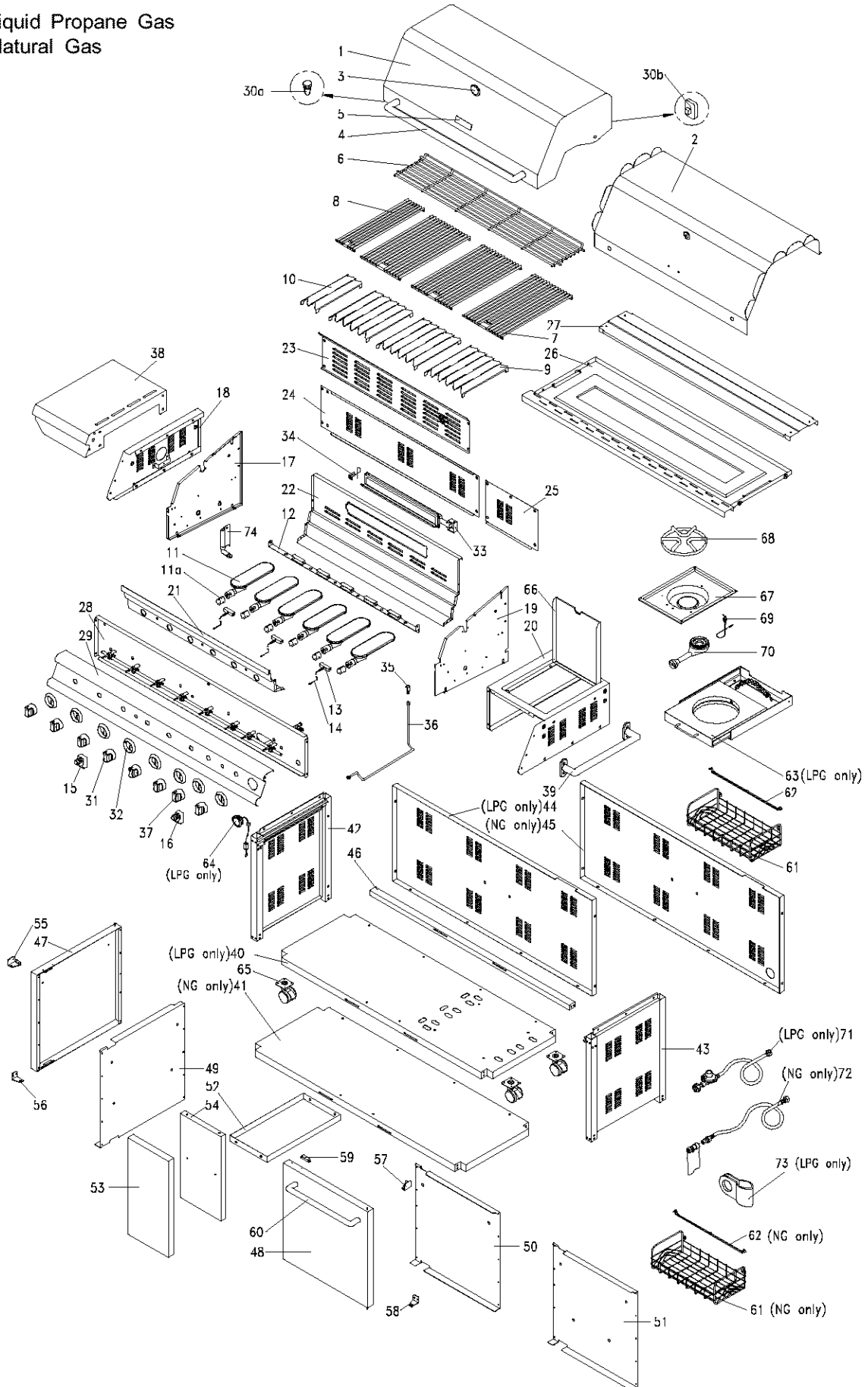
Countersink Flat Head Screw 1/4"x3/4"  
Qty. 4  
Ref. # S142G04121



AA Battery  
Qty. 2  
Ref. # P05301001A  
Scale 1:2

# Model 141.16691 & 141.17691 Parts Diagram

LPG = Liquid Propane Gas  
 NG = Natural Gas



## Model 141.16691 & 141.17691 Parts List

REF#	DESCRIPTION	PART#	QTY
1	Lid	P0011903AA	1
2	Lid Trim Plate	P0011435EA	1
3	Temperature Gauge	P00601171A	1
4	Lid Handle	P00205033B	1
5	Name Plate	P00410038C	1
6	Cooking Rack/Secondary	P01518001B	1
7	Cooking Grid/Large	P01606032B	3
8	Cooking Grid/Small	P01606033B	1
9	Flame Tamer/Large	P01708031B	3
10	Flame Tamer/Small	P01708032B	1
11	Burner/Main	P02001004E	6
11a	Burner Air Shutter/Main (NG only)	P05524004A	6
12	Burner Bracket	P02206271B	1
13	Gas Collector Box with Electrode	P02608050C	3
14	Electric Wire Set	P02615053A	1
15	Electric Ignitor, 4-Ports	P02502024C	1
16	Electric Ignitor, 2-Ports	P02502012C	1
17	Bowl Panel, Left	P00720293C	1
18	Bowl Panel, Outside Left	P00742296C	1
19	Bowl Panel, Right	P00721293C	1
20	Bowl Panel, Outside Right	P00743296C	1
21	Bowl Panel, Front	P00738303C	1
22	Bowl Panel, Rear	P00725303C	1
23	Bowl Wind Shield, Upper	P00737303C	1
24	Bowl Wind Shield, Lower Left	P06906005C	1
25	Bowl Wind Shield, Lower Right	P06906007C	1
26	Grease Draining Tray	P02714012F	1
27	Grease Draining Tray Heat Shield	P06903009D	1
28	Gas Valve/Manifold Assembly (LPG)	Y0060083	1
	Gas Valve/Manifold Assembly (NG)	Y0060131	1
29	Control Panel (LPG)	P02911291N	1
	Control Panel (NG)	P02911291T	1
30a	Protective Pad, Lid Front	P05518100I	2
30b	Protective Pad, Lid Rear	P05518004I	2
31	Control Knob for Main/Side Burners	P03419033H	7
32	Control Knob Seat	P03415264A	8
33	Back Burner Assembly	P02007049D	1
34	Back Burner Electrode	P02614006B	1
35	Back Burner Orifice (LPG)	P06509010A	1
	Back Burner Orifice (NG)	P06509016A	1
36	Back Burner Extension Tube	P03717033A	1
37	Control Knob for Back Burner	P03419043H	1
38	Side Shelf, Left	P01106028B	1
39	Cart Side Handle	P00205032B	1
40	Cart Bottom Shelf (LPG only)	P01005026H	1
41	Cart Bottom Shelf (NG only)	P01005034H	1
42	Cart Legs with Side Panel, Left	P07614001A	1
43	Cart Legs with Side Panel, Right	P07615001A	1
44	Cart Rear Panel (LPG only)	P07701021A	1
45	Cart Rear Panel (NG only)	P07701022A	1
46	Door Bracket	P03302007C	1
47	Door, Left	P04302012A	1
48	Door, Right	P04303012A	1



## Model 141.16691 & 141.17691 Parts List

REF#	DESCRIPTION	PART#	QTY
49	Door Trim Plate, Left	P07506007A	1
50	Door Trim Plate, Right (LPG)	P07507007A	1
51	Door Trim Plate, Right (NG)	P07507008A	1
52	Cart Partition Panel	P07512013A	1
53	Cart Decorative Panel	P07501008A	1
54	Cart Decorative Panel, Trim Plate	P07509009A	1
55	Door Hinge Bracket, Upper/Left	P03314018C	1
56	Door Hinge Bracket, Lower/Left	P03314019C	1
57	Door Hinge Bracket, Upper/Right	P03314020C	1
58	Door Hinge Bracket, Lower/Right	P03314021C	1
59	Door Magnet	P05523002K	4
60	Door Handle	P00205036B	2
61	Cart Spice Basket (LPG)	P05204010E	1
	Cart Spice Basket (NG)	P05204010E	2
62	Cart Spice Basket Division Wire	P05204012E	1
63	Tank Pull-Out Tray Assembly (LPG only)	Y0340014	1
64	Fuel Gauge Display (LPG only)	P05310002B	1
65	Caster, 3-1/2" in., with Brake	P05115020A	4
66	Side Burner Lid	P00115346A	1
67	Side Burner Body	P02301006B	1
68	Side Burner Pot Support	P00805013B	1
69	Side Burner Electrode	P02607052C	1
70	Side Burner with Brass Ring	P02002055D	1
71	Regulator with Hose/LPG	P03601001A	1
72	Hose, 12 ft./NG	P03703001A	1
73	Wire Fastener (LPG only)	P05310040A	1
74	Lighting Tube	P05313004C	1
---	Hardware Pack (LPG)	P06001019A	1
---	Hardware Pack (NG)	P06001020A	1
---	Owner's Manual	P80106003B	1

For the repair or replacement parts you need: Call anytime

**1-800-4-MY-HOME**® (1-800-469-4663)

To make sure you obtain the correct replacement parts for your Kenmore gas grill, please refer to the part numbers in this parts list. The following information is required to assure you receive the correct parts:

1. Grill Model Number (see CSA label on grill)
2. Part Number
3. Part Description
4. Quantity of parts needed

**Important:** Keep this Owner's Manual for convenient referral and for part replacement.

**Important:** Use only Sears authorized parts. The use of any part that is not Sears authorized can be dangerous and will also void your product warranty.

Grill Information Center: If you have questions about assembly or grill operation, or if there are damaged or missing parts when you unpack this unit from the shipping box, call us 8am - 8pm CST, Monday through Friday at: **1-888-317-7642**

## Assembly Instructions

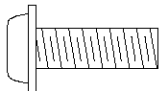
**CAUTION :** While it is possible for one person to assemble this grill, obtain assistance from another person when handling some of the larger, heavier pieces.

1. Open the parts boxes. Use the parts list to check that all parts have been included.
2. Inspect the grill for damage as you assemble it. Do not assemble or operate the grill if it appears damaged. If there are damaged or missing parts when you unpack the shipping box, or you have questions during the assembly process, call:

**1-888-317-7642 8a.m.-8p.m CST, Mon.-Fri.**

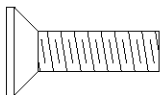
### Installing Side Shelf and Cart Side Handle

1. Remove the white protective film from the stainless steel Side Shelf.
2. Enlisting the aid of an assistant, attach Side Shelf to left side of grill. Align the holes on Side Shelf with the threaded holes on left Outside Bowl Panel. Tighten securely using 4 of the 1/4"x3/4" Phillips Screws provided. See Figure 1.



S122G04121 Qty. 4  
Phillips Head Screw 1/4"x3/4"

3. Enlisting the aid of an assistant, attach Cart Side Handle to right side of grill. Align the holes on Cart Side Handle with the threaded holes on right Outside Bowl Panel. Tighten securely using 4 of the 1/4"x3/4" Flat Head Screws provided. See Figure 2.



S142G04121 Qty. 4  
Countersink Flat Head Screw  
1/4"x3/4"

### Ignition Battery Installation - See Figure 3

1. Remove the Ignitor Cap located on the grill Control Panel.
2. Place the supplied AA battery into the Ignitor Slot. Be sure to place the positive pole facing toward you. See Figure 3.
3. Place the Cap and Spring over the AA battery then tighten the Ignitor Cap onto the grill Control Panel.
4. Repeat step 1 through 3 to install the other AA battery into the Ignitor Slot.

**IMPORTANT:** Remove any protective film from outside and inside of Grill Head. Before use of this grill please refer to **Cleaning Exterior Stainless Steel Surfaces** found on page 18 of this Owner's Manual.

Figure 1

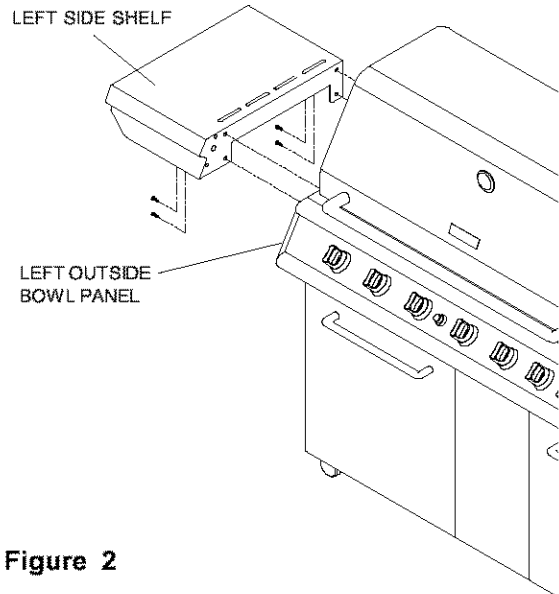


Figure 2

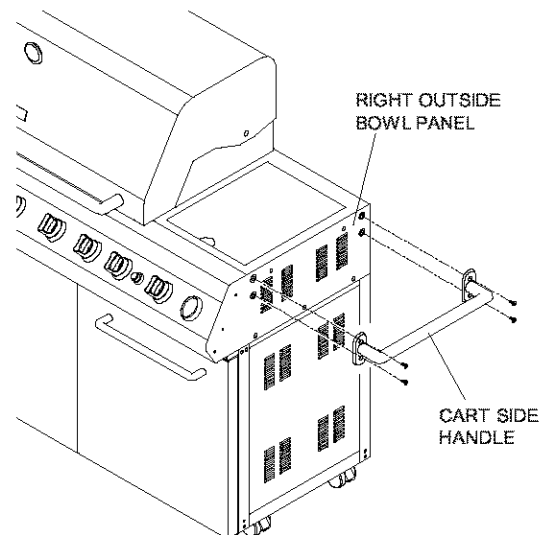
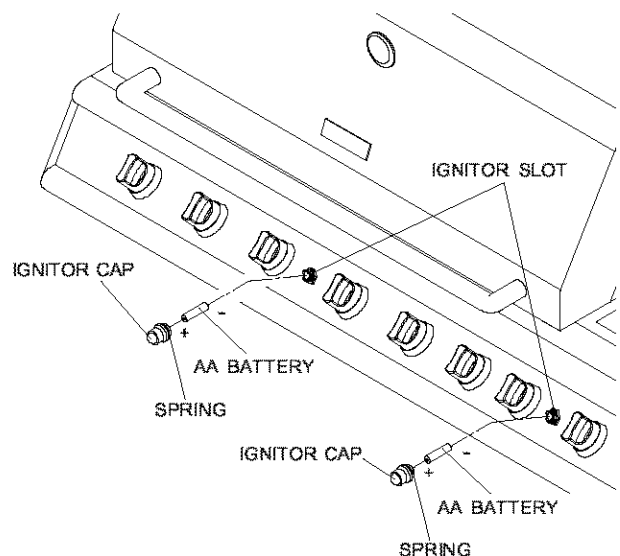


Figure 3

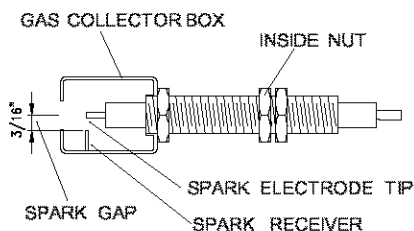


## Electrode Check - Requires an Assistant

Before placing the cooking components into your grill, ensure that the Spark Electrode Tip is properly positioned within each Gas Collector Box ( a 4" wide stainless mechanism found at the front between each set of Burners.) The easiest way to ensure this is to perform this Electrode Check:

1. Be sure all Control Knobs are set to "OFF" and open the Grill Lid.
2. Have an assistant stand behind to the right of the grill and look down at each Gas Collector Box. NEVER put your face inside Grill Head.
3. Press the Ignitor Cap. You should hear a "clicking" sound and your assistant should see a small blue spark within each Gas Collector Box. If a spark is present the Electrode Tips are properly positioned.
4. If no spark is seen the Spark Gap shown in **Figure 4** needs to be adjusted as follows:
  - Using an adjustable wrench, loosen the Inside Nut just until the Gas Collector Box can be maneuvered and turned upward.
  - The gap between the Spark Electrode Tip and Spark receiver should be approximately 3/16".
  - If the gap is wider than 3/16" use a pair of long nose pliers and gently squeeze the Gas Collector Box until the gap is correct.
  - Return the Gas Collector Box to its original horizontal position, secure the Inside Nut and try the Electrode Check again.
5. If no "clicking" sound is heard check the following common causes. If you need assistance call our **Grill Information Center** at 1-888-317-7642.
  - Ignitor AA battery not installed properly.
  - Electric wires may be loose. Remove the AA battery, inspect the Ignitor Junction Box found behind the Control Panel, and connect any loose wires.

**Figure 4 - Side View Figure**

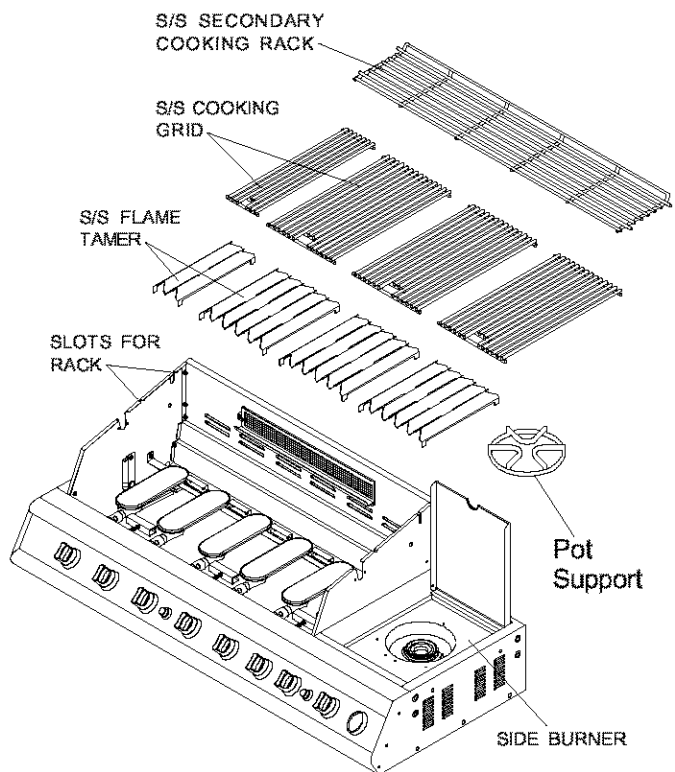


## Installing Cooking Components

**Important:** Before cooking on your grill the first time, wash the Cooking Grids and Cooking Rack with warm, soapy water. Rinse and dry thoroughly. After cooking is completed, turn grill to HIGH setting three to five minutes to burn off rear grease or food residue.

1. Place the four Stainless Steel Flame Tamers on the lower ledge above Burners. See **Figure 5**.
2. Evenly space the Stainless Steel Cooking Grids (cross braces are bottom side) on the ledge above the Flame Tamers.
3. Place the Stainless Steel Secondary Cooking Rack into the slots on the upper left and upper right of Grill Bowl Side Panels. See **Figure 5**.
4. Remove Fastening Band from Pot Support and place the Pot Support into the Side Burner Body-Inner. See **Figure 5**.

**Figure 5**



## FOR LP GRILLS ONLY

### Battery Replacement:

1. Remove the Grease Tray from the grill.
2. Stretch your hand behind Control Panel and unscrew the Battery Cover behind the Display Box.
3. Pull out the Battery with electric wire from the Battery Compartment.
4. Replace the used Battery with the new one.
5. Replace the new Battery with electric wire back into Battery Compartment. See Figure 6a.
6. Screw the Battery Cover back to the Display Dial.
7. Slide the Grease Tray back into the grill.

### Fuel Gauge Display Operating - See Figure 6b

Press the "CHECK" button to operate Fuel Gauge Display with the gas tank mounted in the Tank Pull-Out Tray.

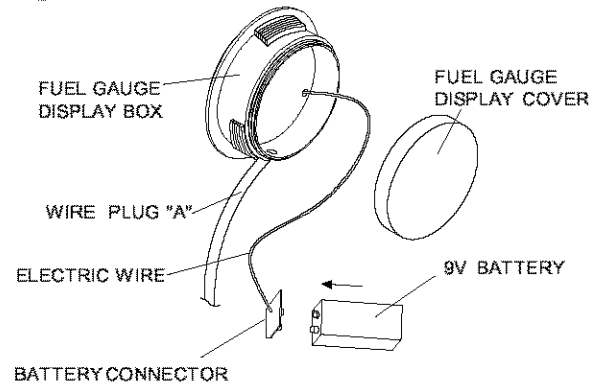
### NOTE: Tank must be positioned in tray for Fuel Gauge Display check

1. **Fuel Display:** Indicates gas tank fill level.
2. **Fuel Warning Display:** When the gas tank fill level is on the last row, a warning signal will sound for approximately 3 seconds to warn you that the tank volume is near empty.
3. **Battery Warning Display:** A low battery warning light will illuminate when the battery voltage drops to a low level. Replace the battery.

### NOTES:

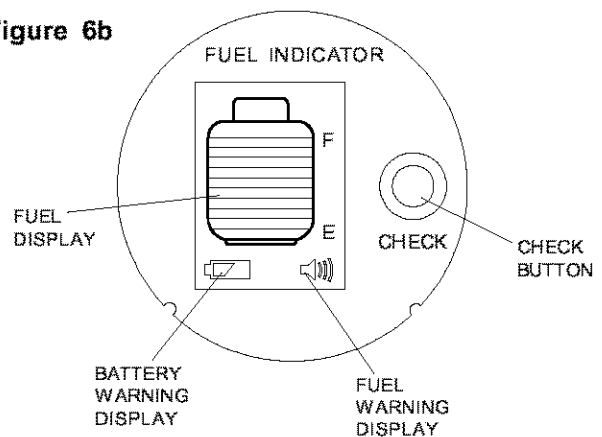
1. The Fuel Gauge Display lasts for approximately 20 seconds each time you press the "CHECK" button. After 20 seconds, the Fuel Gauge Display turns off automatically. If you press the button a second time within 20 seconds, the Fuel Gauge Display will be turned off manually. If you press the button a second time after 20 seconds, the Fuel Gauge Display will work and last for another 20 seconds.
2. The Fuel Gauge Display works only with a tank on the Tank Pull-Out Tray. No readout will appear if a tank is not mounted on the Tank Pull-Out Tray.

Figure 6a



**IMPORTANT:** When the gas tank is removed from the tank pull-out tray, the fuel gauge display will not operate.

Figure 6b



**NOTE:** Do not press the Electric Ignitor and Check Button at the same time.

### Connecting A Liquid Propane Gas (LP gas) Tank To Your Grill

1. Remove the Pull-out Grease Draining Tray with the Heat Shield from Grill.
2. Locate hose and regulator assembly packed for shipping purposes on front underside of grill head. Remove fastening band. Push assembly to back of grill and pull down to connect to tank valve. Before connecting, check valve and assembly threads to be sure they match. (Type 1 connection per ANSI Z21.58b-2002). See Figure 7b.
3. Inspect the valve connection port of the regulator assembly. Look for damage or debris. Remove any debris. Inspect hose for damage. Never use damaged or plugged equipment.
4. Pull out the LPG Tank Pull-out Tray. Place a 20 lb tank with foot ring into the hole in the tray. See Figure 7a. Make sure the tank valve is in the OFF position.
5. Align the tank so the Tank Valve faces the rear right corner of cabinet. Use the 5/16"x89mm Wing Bolt to secure gas tank from rear of tray. See Figure 7a.
6. Check the tank valve to ensure it has proper external mating threads to fit the hose & regulator assembly provided (Type 1 connection per ANSI Z21.58b-2002). See Figure 7b.
7. Make sure all Burner knobs are in the OFF position.
8. Connect the hose and regulator assembly to the tank valve (See Figure 7b) Hand tighten Quick Coupling Nut clockwise to a full stop. DO NOT use a wrench to tighten because it could damage the Quick Coupling Nut and result in a hazardous condition.
9. Open the tank valve fully (counterclockwise). Use a soapy water solution to check all connections for leaks before attempting to light your grill. See "Checking for LP Gas Leaks" on page 15. If a leak is found, turn the tank valve off and do not use your grill until the leak is repaired.

### Disconnecting A Liquid Propane Gas (LP gas) Tank From Your Grill

1. Turn the Burner Knobs and LP gas tank valve to the full OFF position. (Turn clockwise to close.)
2. Detach the hose and regulator assembly from the LP gas tank valve by turning the Quick Coupling Nut counterclockwise. See Figure 7b.

**CAUTION:** When the appliance is not in use, the gas must be turned off at the supply tank.

Figure 7a (LP gas model only)

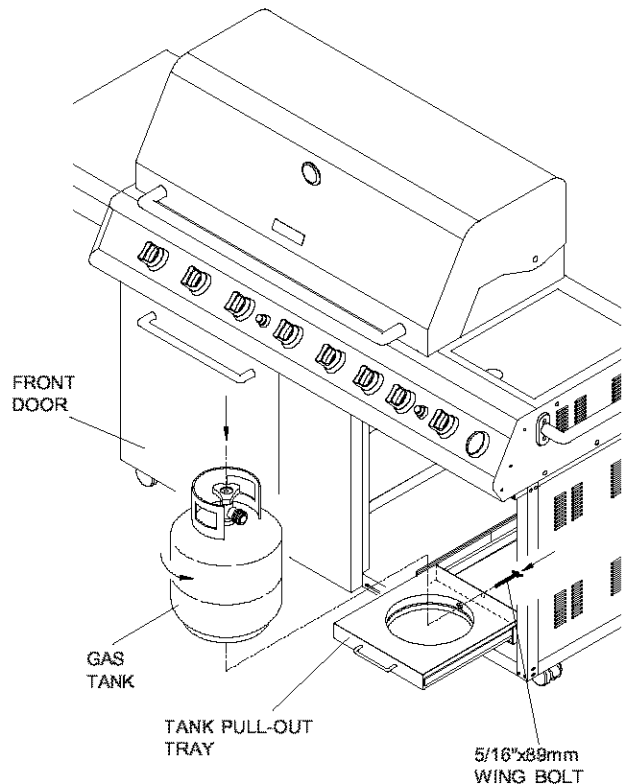
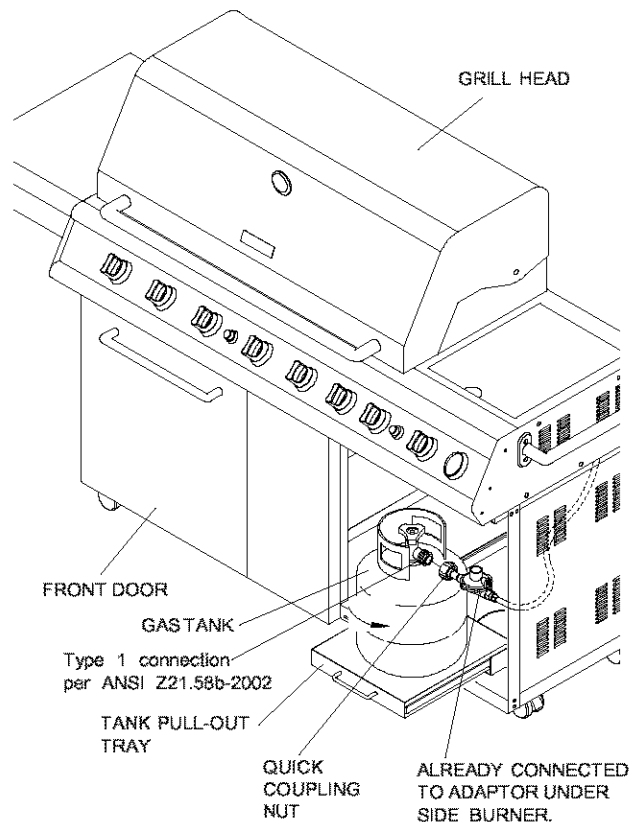


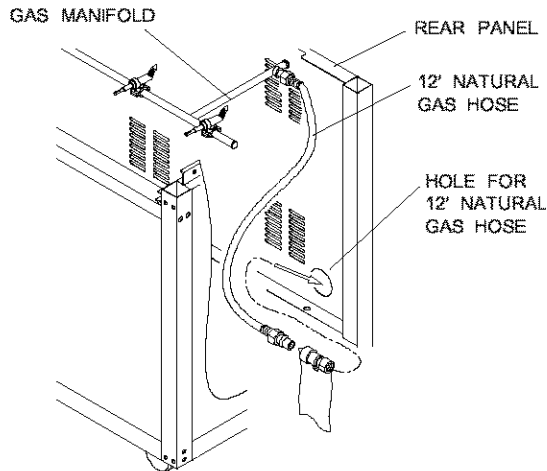
Figure 7b (LP gas model only)



## Connecting Natural Gas To Your Grill

**For Natural Gas grills:** The 12 foot Natural Gas Hose has already been connected to the Gas Manifold as shown in **Figure 7c**. Thread the 12 foot Natural Gas Hose through the hole of Rear Panel to outside. Also read the natural gas safety instructions.(on page 4)

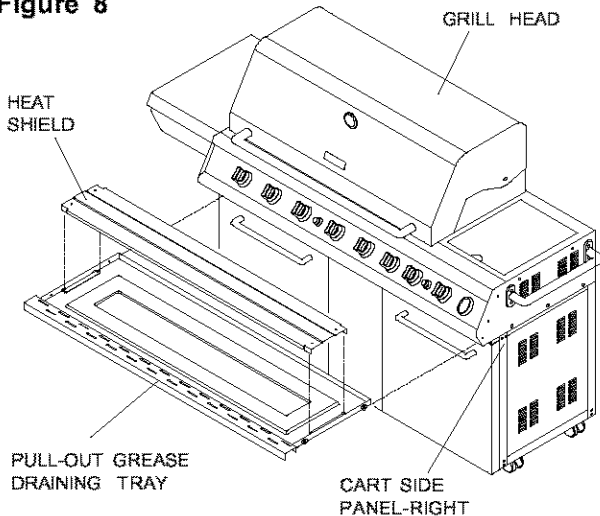
**Figure 7c (Natural gas model only)**



## Install Pull-out Grease Tray

Place Heat Shield into Pull-out Grease Draining Tray. The Heat Shield must be present and centered for your safety. Slide the Pull-out Grease Draining Tray into the Tracks on the Cart Side Panels and push until it stops. See **Figure 8**.

**Figure 8**



## Congratulations

Your Kenmore Elite gas grill is now ready for use. Before the first use and at the beginning of each season (and whenever the LP gas tank has been changed):

1. Read all safety, lighting and operating instructions.
2. Check Gas Valve Orifices, Burner Tubes and Burner Ports for any obstructions.
3. Perform gas leak check according to instructions found on page 15 of this manual.

## **⚠ WARNING**

If you smell gas:

- Shut off gas supply to the gas grill.
- Turn the Control Knobs to OFF position.
- Extinguish any open flame such as candle, cigarette lighter, etc., that could cause gas to ignite.
- Open the Grill Lid.
- Get away from the LP gas tank.
- Do not try to fix the problem yourself.
- If odor continues or you have a fire you cannot extinguish, call your fire department. Do not call near the LP gas tank. Your telephone is an electrical device and could create a spark resulting in fire and/or explosion.

**NOTE:** The normal flow of gas through the regulator and hose assembly can create a humming noise. A low volume of noise is normal and will not interfere with operation of the grill. If humming noise is loud and excessive you may need to purge air from the gas line or reset the regulator excess gas flow device. This purging procedure should be done every time a new LP gas tank is connected to your grill. For help call the Grill Information Center.

**Grill Information Center:**  
8am - 8pm CST, Monday through Friday  
1-888-317-7642

### Checking For LP Gas Leaks

**Never** test for leaks with a flame. Prior to first use, at the beginning of each season, or every time your LP gas tank is changed, you must check for gas leaks. Follow these four steps:

1. Make a soap solution by mixing one part liquid detergent and one part water.
2. Turn the grill Control Knobs to the full OFF position, then turn the gas ON at source.
3. Apply the soap solution to all gas connections. If bubbles appear in the solution the connections are not properly sealed. Check each fitting and tighten or repair as necessary.
4. If you have a gas leak you cannot repair, turn off gas at the source, disconnect fuel line from your grill and call 1-800-4-MY-HOME<sup>®</sup> or your gas supplier for repair assistance.

### LP Tank Exchange

- Many retailers that sell grills offer you the option of replacing your empty LP tank through an exchange service. Use only those reputable exchange companies that inspect, precision fill, test and certify their cylinders. Exchange your tank only for an OPD safety feature-equipped tank as described in the LP Tank section of this manual.
- Always keep new and exchanged LP tanks in upright position during use, transit or storage.
- Leak test new and exchange LP tanks **BEFORE** connecting to grill.

### LP Tank Leak Test

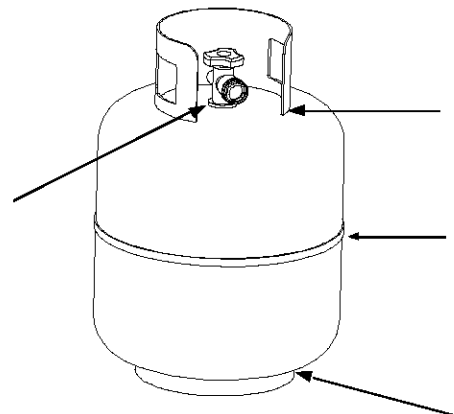
For your safety

- Leak test must be repeated each time LP tank is exchanged or refilled.
- Do not smoke during leak test.
- Do not use an open flame to check for gas leaks.
- Grill must be leak tested outdoors in a well-ventilated area, away from ignition sources such as gas fired or electrical appliances. During leak test, keep grill away from open flames or sparks.
- Use a clean paintbrush and a 50/50 mild soap and water solution. Brush soapy solution onto areas indicated by arrows in figure below.

## **⚠ WARNING**

If growing bubbles appear do not use or move the LP tank. Contact an LP gas Supplier or your fire department!

- Do not use household cleaning agents. Damage to gas assembly components can result.



# Grill Lighting Instructions

## Basic Lighting Procedures

Machine oils used in the manufacturing process of stainless steel can cause stainless steel to turn a tan color. Before initial grill use, remove protective PVC film from Control Panel and inside and outside of Grill Lid. Use a Stainless Steel Cleaner to polish the stainless steel and remove these excess oils from your grill. Never use abrasive cleaners or scrubbers because they will scratch and damage your grill. For details, see **Cleaning Exterior Stainless Steel Surfaces** on page 18.

## Gas Lighting Instructions

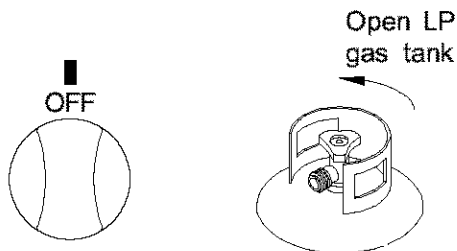
Familiarize yourself with the safety guidelines at the front of this manual. Do not smoke while lighting grill or checking gas supply connections.

1. If you have a LP gas grill be sure the LP gas tank is filled, or if you have a NG grill be sure that the locking shut off valve is open.
2. Check that the end of each Burner Tube is properly located over each Valve Orifice.
3. Be sure all gas connections are securely tightened.
4. Open the Grill Lid or Side Burner Lid, depending on the Burner you are lighting.

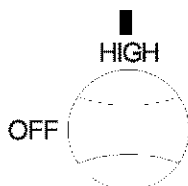
### **⚠ WARNING**

Failure to open Grill Lid during the lighting procedures could result in a fire or explosion that could cause serious bodily injury, death, or property damage.

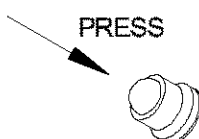
5. Set ALL Control Knobs to OFF, and for LP Models, open gas tank valve slowly until 1/4 to 1/2 open.



6. Push and turn the LEFT Control Knob to HIGH.



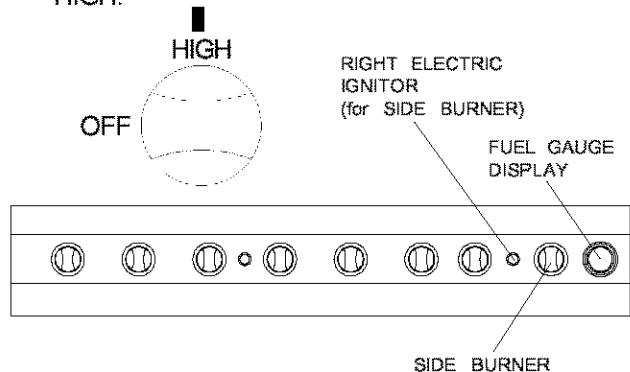
7. Immediately press the Electric Ignitor for 3-4 seconds to light the Burner.



8. If the burner does not light, turn the Control Knob to OFF, wait 5 minutes for gas to clear, then retry.
9. Once the left grill burner is ignited, the adjacent burner can be lit by simply turning its Control Knob to HIGH.
10. Adjust Control Knobs to your desired cooking temperature.

## Side Burner Lighting Instructions

1. Follow steps 1 through 5 of the Gas Lighting Instructions.
2. Push and turn the control knob for Side Burner to HIGH.



3. Immediately press the electric ignitor for 3-4 seconds to light the burner.
4. If the burner does not light, turn the control knob to OFF, wait 5 minutes for gas to clear, then retry.
5. Adjust control knobs to your desired cooking temperature.

## Back Burner Lighting Instructions

**Note:** The location of the Back Burner makes it more susceptible to winds that will decrease the performance of your rotisserie cooking. For this reason you should not operate the Back Burner during windy weather conditions.

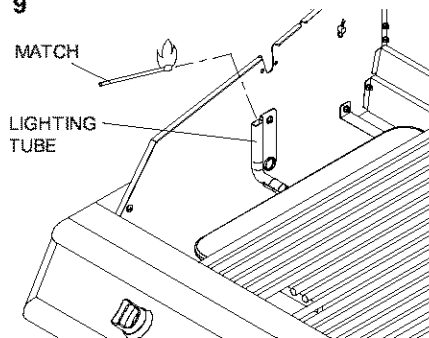
1. Follow steps 1 through 5 of the Gas Lighting Instructions.
2. Open the Grill Lid. Failure to do so can result in fire or explosion. See WARNING left.
3. Set ALL Control Knobs to OFF and open the LP gas tank valve slowly until 1/4 to 1/2 open.
4. Push and turn the Right Control Knob for Back Burner to HIGH.
5. Then immediately press the Electric Ignitor for 3-4 seconds to light the Back Burner.
6. If the Burner does not light, turn the Control Knob to OFF, wait 5 minutes for gas to clear, then retry.
7. Once lit, the Back Burner will reach cooking temperature quickly. The orange/red glow will even out in about 5 minutes.
8. For best results, always rotisserie cook with the grill Lid down and the Back Burner Control Knob set to HIGH. Do not use the main grill Burners when the Back Burner is in operation.



## Manually Lighting Your Grill by Match

To light your main burners by match, Follow steps 1 through 6 of the Gas Lighting Instructions. Then, light the match and place it over the top opening of the Lighting Tube. Push and turn the nearest Control Knob to the HIGH setting to release gas. The Burner should light immediately. See Figure 9.

Figure 9



### **⚠ WARNING**

**Never** lean over the grill cooking area while lighting your gas grill. Keep your face and body a safe distance (at least 18 inches) from the Lighting Hole or Burners, when lighting your grill by match.

#### If the grill fails to light :

1. Turn gas off at source and turn the Control Knob to OFF. Wait at least five minutes for gas to clear, then retry.
2. If your grill still fails to light, check gas supply and connections.
3. Repeat lighting procedure. If your grill still fails to operate, turn the gas off at source, turn the Control Knobs to OFF, then check the following:

- Misalignment of Burner Tubes over Orifices  
**Correction:** Reposition Burner Tubes over Orifices.
- Obstruction in gas line  
**Correction:** Remove fuel line from grill. Do not smoke! Open gas supply for one second to clear any obstruction from fuel line. Close off gas supply at source and reconnect fuel line to grill.
- Plugged Orifice  
**Correction:** Remove Burners from grill by pulling Cotter Pin (beneath Burner) using Long nose pliers. Carefully lift each Burner up and away from gas valve Orifice. Remove the Orifice from gas valve and gently clear any obstruction with a fine wire. Then reinstall all Orifices, Burners, Cotter Pins and cooking components.

If an obstruction is suspected in gas valves or gas valve bracket, please call for repair service at 1-800-4-MY-HOME.®

- Obstruction in Burner Tubes  
**Correction:** Follow the Burner Tube cleaning procedure on page 19 of this Owner's Manual.

- Misalignment of Ignitor on Burner  
**Correction:** Check for proper position of the Electrode Tip as shown in Figure 4. The gap between the Spark Electrode Tip and Burner or Spark Receiver should be approximately 3/16". Adjust if necessary. With the gas supply closed and all Control Knobs set to OFF press the Electric Ignitor Cap and check for the presence of a spark at the Electrode.
  - Disconnected Electric Wires  
**Correction:** Inspect the Ignitor Junction Box found behind the Control Panel. Connect loose Ignitor wires to Junction Box and try to light the grill.
  - Weak AA battery  
**Correction:** Unscrew the Ignitor Cap and replace the battery.
4. If the grill still does not light you may need to purge air from the gas line or reset the regulator excess gas flow device. **Note:** This procedure should be done every time a new LP gas tank is connected to your grill.

#### To purge air from your gas line and/or reset the regulator excess gas flow device:

- Turn the Control Knobs to the OFF position.
  - Turn off the gas at the tank valve.
  - Disconnect regulator from LP gas tank.
  - Let unit stand for 5 minutes to allow air to purge.
  - Reconnect regulator to the LP gas tank.
  - Turn the tank valve on slowly until 1/4 to 1/2 open.
  - Open the Grill Lid.
  - Push and turn the LEFT Control Knob to HIGH.
  - Press Electric Ignitor for 3-4 seconds to light the burners.
5. If all checks or corrections have been made and you still have questions about operating your gas grill, call the **Grill Information Center** 8am - 8pm CST, Monday through Friday at 1-888-317-7642.

### **⚠ WARNING**

Should a "FLASHBACK" fire occur in/or around the Burner Tubes, follow the instructions below. Failure to comply with these instructions could result in a fire or explosion that could cause serious bodily injury, death, or property damage.

- Shut off gas supply to the gas grill.
- Turn the Control Knobs to OFF position.
- Put out any flame with a proper fire extinguisher.
- Open Grill Lid.
- Once the grill has cooled down, clean the Burner Tubes and Burners according to the cleaning instructions found on page 19 in this manual.

## Cleaning and Maintenance

### CAUTION:

Be sure your grill is OFF and cool before cleaning. Take care not to chip or scratch the painted surfaces because it will void your warranty against rusting.

As with all appliances, proper care and maintenance will keep your grill in top operating condition and prolong its life. By following these cleaning procedures on a timely basis, your grill will stay clean and work properly with minimum effort.

### Cleaning The Cooking Grids

Before initial use and periodically we suggest you wash your Cooking Grids in a mild soap and warm water solution. You can use a wash cloth or vegetable brush to clean your Cooking Grids.

### Cleaning The Flame Tamers

Periodically you should wash the Flame Tamers in a soap and warm water solution. Use a vegetable brush to remove stubborn burnt-on cooking residue. Dry the Flame Tamers thoroughly before you reinstall them into the cooking bowl.

### Cleaning The Grease Tray and Receptacle

To reduce the chance of fire, the Grease Draining Tray and Grease Receptacle should be visually inspected before each grill use. Remove any grease and wash Grease Tray and Receptacle with a mild soap and warm water solution.

### Cleaning the Inside of the Grill Lid

Grease can have a tendency to build up on the inside of the Grill Lid and could drip onto deck or patio when the lid is opened. Visually inspect the inside of the Grill Lid before each grill use. Remove any grease and wash with a mild soap and warm water solution.

### Annual Cleaning of The Grill Interior

Burning-off the grill after every cookout will keep it ready for instant use. However, once a year you should give the entire grill a thorough cleaning to keep it in top operating condition. Follow these steps:

1. Turn all Burner Valves to the full OFF position.
2. Turn the LP gas tank valve to the full OFF position.
3. Detach the LP gas hose and regulator assembly from your gas grill. Use a 7/8" open end wrench turning the fitting counter-clockwise. Inspect for any damage and replace as necessary with Kenmore replacement part number found on the Parts List.
4. Remove and clean the Flame Tamers, Cooking Grids, Cooking Rack and Grill Burners.

5. Cover each Gas Valve Orifice with aluminum foil.
6. Brush the inside and bottom of the grill with a fiber pad or nylon brush, and wash with a mild soap and warm water solution. Rinse thoroughly and let dry.
7. Remove aluminum foil from Orifices and check each Orifice for obstruction.
8. Check each Spark Electrode, adjusting as needed. The space between the Spark Electrode Tip and Spark Receiver should be approximately 3/16".
9. Replace the Burners and adjust the Gas Collector Box. The edge of the collector box should be overlapping the Burner Port.
10. Replace Flame Tamers and the Cooking Grids.
11. Reconnect the gas source and observe the Burner flame for correct operation.

### Cleaning Exterior Surfaces:

Before initial use, and periodically thereafter, we suggest you wash your grill using a mild soap and warm water solution. You can use a wash cloth or sponge for this process. Do not use a stiff wire or brass brush that might remove paint during the cleaning process.

### Cleaning Exterior Stainless Steel Surfaces:

Weathering and extreme heat can cause exterior stainless steel surfaces to turn tan in color. Machine oils used in the manufacturing process of stainless steel can also cause this tanning color. After removing the protective PVC film from the Grill Lid and Control Panel use a Stainless Steel Cleaner to polish the stainless steel surfaces of your grill. Never use abrasive cleaners or scrubbers because they will scratch and damage your grill. Follow these steps for the best results.

1. Turn the LP gas tank valve (clockwise) to the full OFF position. Disconnect the regulator and hose assembly from LP gas tank. Cover exposed gas fitting with aluminum foil.
2. Remove dirt or grease using a soft cloth and polish stainless surfaces. Wipe with a soft cloth.
3. Remove aluminum foil from exposed gas fitting and allow grill to air dry before attaching the regulator and hose to your LP gas tank.

Keep outdoor cooking gas appliance area clear and free from combustible materials, gasoline and other flammable vapors and liquids.

**Grill Information Center:** If you have questions about assembly or grill operation, or if there are damaged or missing parts when you unpack this unit from the shipping box, call us 8am - 8pm CST, Monday through Friday at: 1-888-317-7642

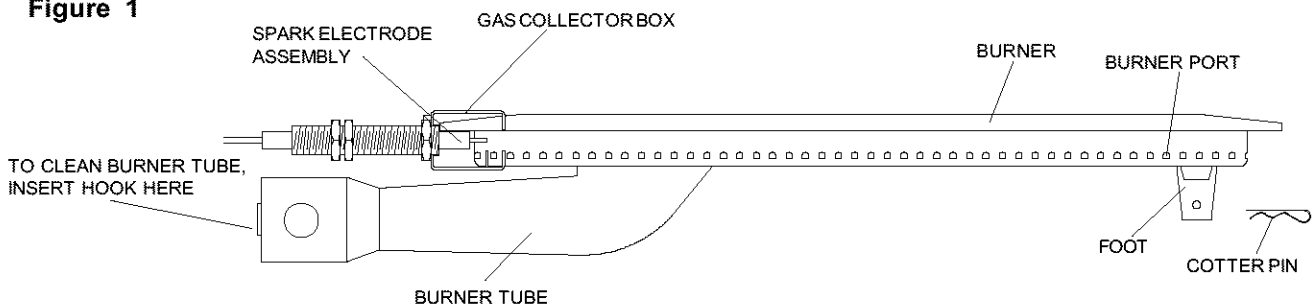
## Cleaning The Burner Tubes and Burner Ports

To reduce the chance of **FLASHBACK** the procedure below should be followed at least once a month in late summer or early fall when spiders are most active or when your grill has not been used for a period of time.

1. Turn all Burner Valves to the full OFF position.
2. Turn the LP gas tank valve to the full OFF position.
3. Detach the LP gas regulator assembly from your gas grill.
4. Remove the Cooking Grids, Flame tamers, and Grease Trays from your grill.
5. Remove the Cotter Pin from the rear underside of each Burner using a pair of long nose pliers.
6. Carefully lift each Burner up and away from the Gas Valve Orifice.
7. Check and clean burner/venturi tubes for insects and insect nests. A clogged tube can lead to a fire beneath the grill.
8. Refer to **Figure 1** and perform one of these three cleaning methods:
  - Bend a stiff wire, (a lightweight coat hanger works well) into a small hook as shown below. Run the hook through the Burner Tube and inside the Burner several times to remove any debris.
  - Use a bottle brush with a flexible handle. Run the brush through the Burner Tube and inside the Burner several times, removing any debris.
  - Use an air hose to force air through each Burner Tube. The forced air should pass debris or obstructions through the Burner and out the Ports.



**Figure 1**



**Grill Information Center:** If you have questions about assembly or grill operation, or if there are damaged or missing parts when you unpack this unit from the shipping box, call us 8am - 8pm CST, Monday through Friday at: 1-888-317-7642

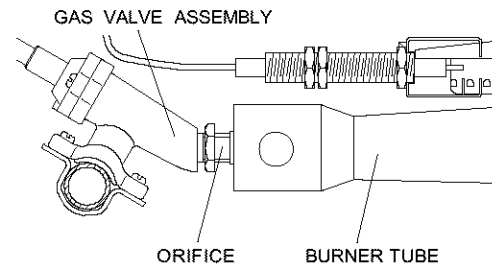
Regardless of which Burner cleaning procedure you use, we recommend you also complete the following steps to help prolong Burner life.

1. Use a fiber pad or nylon brush to clean the entire outer surface of each Burner until free of food residue and dirt.
2. Clean any clogged Ports with a stiff wire, such as an open paper clip.
3. Inspect each Burner for damage (cracks or holes) and if such damage is found, order and install a new Burner. After installation, check to ensure that the Gas Valve Orifices are correctly placed inside the ends of the Burner Tubes. Also check the position of your Spark Electrode.

## **⚠ WARNING**

The location of the Burner Tube with respect to the Orifice is vital for safe operation. Check to ensure the Orifice is inside the Burner Tube before using your gas grill. See **Figure 2**. If the Orifice is not inside the Burner Tube, lighting the Burner may cause explosion and/or fire.

**Figure 2**



## Frequently Asked Questions

**Question:** Can I convert my Kenmore gas grill from one fuel type to another?

**Answer:** Your Kenmore gas grill is manufactured to exact specifications and is approved by the Canadian Standards Association (CSA). For your own safety, conversion kits are not available and any attempt to convert your grill from one gas type to another will void your product warranty.

**Question:** Why doesn't the hose and regulator assembly supplied with my new Kenmore grill fit the older LP gas tank I've used for years?

**Answer:** The U.S. Government regulates gas appliances and LP gas tanks. Whenever new regulations are passed the LP gas tank fittings are altered. If your tank does not fit the hose and regulator supplied with your new grill, the tank is outdated and must be replaced.

**Question:** What can cause grill parts to rust and what affect does it have on the grill materials.

**Answer:** Rusting is a natural oxidation process and may appear on cast-iron and steel parts. Rust will not affect the short term performance of your grill or affect the taste of your foods.

Stainless steel grill parts will not rust. However, weathering and extreme heat can cause stainless steel Lid surfaces to turn tan color. This is discoloration, not rust.

**Question:** How can I minimize the risk of rust or stainless steel discoloration?

**Answer:** To protect against the natural rusting process, the Burners have a porcelain finish. However, dropping, scraping or scratching these items will damage the porcelain finish and allow rusting. We recommend you "season" these items before and after each use. Consistent seasoning will help deter rusting and will create an easy to clean cooking surface.

Weathering and extreme heat can cause exterior stainless steel surfaces to turn tan in color - which is not to be confused with rust. Machine oils used in the manufacturing process of stainless steel can also cause this tanning color. After removing the protective PVC film from your Grill Lid use a Stainless Steel Cleaner to polish the inside and outside of your grill Lid. Never use abrasive cleaners or scrubbers. Follow the easy "Cleaning Exterior Stainless Steel Surfaces" procedures found in this Owner's Manual.

**Question:** Sometimes my grill does not light when I push the Ignition Button. Why?

**Answer:** Refer to the Lighting Instructions in this Owner's Manual. Also check these common causes:

- Ignition AA battery may need replacing.
- Ignition wires may be loose. Remove the AA battery, inspect the Ignitor Junction Box found behind the Control Panel, and connect any loose wires.

**Question:** What is the best way to protect my new Kenmore gas grill from the weather?

**Answer:** A good quality grill cover should be used to protect your grill when not in use. Sears offers a cover that is made to fit this particular grill model. Also, follow the cleaning and maintenance instructions in this Owner's Manual on a timely basis, and your new grill will give you years of enjoyment.

**Question:** Where can I buy replacement parts?

**Answer:** For the repair or replacement parts you need call 6 am - 11 pm CST, 7 days a week 1-800-366-PART (1-800-366-7278). Use only Sears authorized parts. The use of any part that is not Sears authorized can be dangerous and will also void your product warranty. You will need your model number and serial number to order parts.

**Question:** Are the serial and model numbers of my grill listed somewhere for future reference?

**Answer:** This information is listed on a silver label found on the right side of your Grill Head under the Side Shelf.

**Question:** Sometimes I hear a humming sound coming from my regulator. What causes this?

**Answer:** The humming noise is actually the gas flowing through the regulator. A low volume of noise is perfectly normal and will not interfere with the operations of the grill. If humming noise is loud and excessive you may need to purge air from the gas line or reset the regulator excess gas flow device. **Note:** This purging procedure should be done every time a new LP gas tank is connected to your grill. For help with this procedure refer to page 17, step 4, or call the **Grill Information Center** at the number shown below.

**Question:** Why doesn't the Fuel Gauge Display show the tank level after "CHECK" button pressing?

**Answer:** Make sure the Wire Plug "A" from Fuel Gauge Display is connected with the Wire Plug "B" from rear of Tank Pull-Out Tray. Or, it might be that 20 seconds have not elapsed from the first time that you pressed "Check" and therefore your second pressing of "Check" has manually turned the fuel gauge to "off". Simply repress "Check" to manually turn the fuel gauge to "on".

**Grill Information Center:** If you have questions about assembly or grill operation, or if there are damaged or missing parts when you unpack this unit from the shipping box, call us 8am - 8pm CST, Monday through Friday at: 1-888-317-7642

## Cooking Instructions

### **WARNING**

**Your grill will get very hot.** Always wear a flame retardant BBQ Mitt when cooking on your grill. Never lean over cooking areas while using grill. Do not touch cooking surfaces, Lid, grill housing or other parts while grill is in operation, or until the grill has cooled down after use. **Failure to comply with these instructions may result in serious bodily injury.**

#### Burn-Off

Before cooking on your gas grill for the first time, you will want to "burn off" the grill to eliminate any odor or foreign matter. Just ignite the burners, lower the Lid, and operate grill on the HIGH setting for three to five minutes.

#### CAUTION:

Operating your grill on the HIGH setting for longer than five minutes may damage certain parts of your grill. **Do not leave your grill unattended.**

#### Preheating

To preheat, light your grill on HIGH, lower the Lid and follow this timetable:

- For high temperature cooking, preheat grill 3 to 5 minutes.
- For low temperature cooking, preheat grill 3 minutes.
- To slow cook, preheating is not necessary.

#### Cooking Temperatures

**High setting:** Only use this setting for fast warm-up, searing steaks or chops and for burning food residue off the grill after cooking is complete. **Never** use the HIGH setting for extended cooking.

**Medium to Low Settings:** Most recipes specify medium to low settings, including all smoking, rotisserie cooking and for cooking lean cuts such as fish.

**NOTE:** Temperature settings will vary with the temperature and the amount of wind outside your home.

#### Direct Cooking

The direct cooking method can be used with the supplied Cooking Grids and food placed directly over the lit grill Burners. **Direct Cooking requires the Grill Lid to be open.** This method is ideal for many recipes including deep frying, searing and whenever you want meat, poultry or fish to have an open-flame barbecued taste.

#### Indirect Cooking

The indirect cooking method can also be used with the supplied Cooking Grids. To cook **indirectly**, the food should be placed on the left or right side of your grill with the Burner lit on the opposite side. Or place your food on the Secondary Cooking Rack mounted inside your grill bowl and light the 2 outer grill Burners. Either way, **indirect cooking must be done with the Lid down.**

#### Seasoning Cooking Grids

Before and after each cookout, apply a thin layer of cooking oil, spray or vegetable shortening to each Cooking Grid. Be sure to coat the entire surface including edges and any areas with chipped porcelain. Insert the Cooking Grids into your warm grill for 2 to 3 minutes.

#### Flare-Ups

The fats and juices dripping from grilled food can cause flare-ups. Since flare-ups impart a favorably, distinctive taste and color to food cooked over an open flame, they should be accepted up to a point. Nevertheless, uncontrolled flaring can result in a ruined meal.

### **WARNING**

Do not line the bottom of the grill housing with aluminum foil, sand or any substance that will restrict the flow of grease into the Grease Draining Tray and Receptacle.

Failure to comply with these instructions could result in a fire or explosion which could cause serious bodily injury, death, or property damage.

## FOR YOUR SAFETY

**Before the first use and at the beginning of each season:**

1. Read all safety, lighting and operating instructions.
2. Check gas valve orifices, burner tubes and burner ports for any obstructions.
3. Perform gas leak check.

**Before each use of your grill:**

1. Pull out the Grease Tray and remove all grease and food debris to prevent grease fire hazard.
2. Be sure the grill is positioned **outdoors** at least 24 inches from the back and side of any combustible surface.

## Guide to Grilling Meat and Poultry with the Direct Cooking Method

### Grilling Steak and Ribs

Turn the grill Burners on HIGH, close the Lid and preheat your grill 3 to 5 minutes. Open Lid and place the meat on the Cooking Grid directly above the lit Burners. Cook the meat on both sides until seared. Reduce the heat to MEDIUM and cook meat until done. Grilling times will vary according to meat thickness.

### Grilling Hamburgers and Sausages

Turn the grill Burners on HIGH, close Lid and preheat your grill 3 to 5 minutes. Open Lid and place the meat on the Cooking Grid directly above the lit Burners. Cook the meat on both sides until seared. Reduce the heat to MEDIUM and cook the meat until done. Grilling times will vary according to meat thickness.

### Grilling Poultry

Turn the grill Burners on HIGH, close Lid and preheat your grill 2 to 3 minutes. Then raise the Lid, reduce heat to MEDIUM and cook poultry directly over lit Burners until done. Poultry skin is fatty so you should expect some flare-ups when using this direct method.

To minimize flare-ups, try grilling poultry using the indirect method. Place the poultry on one side of the grill with the opposing Burners on MEDIUM heat, and lower the grill Lid. Grilling times will vary based on the size of your poultry.

### Grilling Pork

Turn Burners on HIGH and preheat your grill 3 to 5 minutes with the Lid closed. Raise Lid, place pork on Cooking Grid and cook until seared. Reduce heat to MEDIUM and cook until done. Grilling times will vary according to meat thickness.

### Cut of Meat

T-bone steak  
Sirloin steak  
Beef spare ribs  
Porterhouse steak  
New York strip steak

Hamburgers  
Sausages

Chicken breast  
(cook with bone down)  
Chicken wings  
Drumsticks

Whole bird  
(cook with breast up)

Chops  
Loins  
Cutlets

### Approximate Cooking Times

**Rare:** 4-8 minutes  
**Medium:** 10-14 minutes  
**Well done:** 15-20 minutes

**Rare:** 4-6 minutes  
**Medium:** 8-10 minutes  
**Well done:** 10-15 minutes

**Direct method:**  
approximately 15 minutes

**Indirect method:**  
up to 30 minutes

**Indirect method:**  
approximately 1 hour

**Medium:** 10-14 minutes  
**Well done:** 15-20 minutes

## Guide to Grilling Fish and Seafood with the Direct Cooking Method

### Whole Fish and Whole Fillets

Preheat your grill on HIGH for 2-3 minutes with the Lid down. Raise lid and turn Burners to MEDIUM heat. Place fish (skin down) on grill and cook over direct heat until done. Use cooking time as a guide or until fish is opaque but still moist.

### Smaller Fish Fillets and Cubes

Follow the directions from above, using approximate cooking times shown at right. Place a small piece of aluminum foil on the Cooking Grids if the fish pieces are small enough to drop between the Cooking Grids.

### Cut of Meat

Whole fish  
Whole fish fillets

### Approximate Cooking Times

10 - 12 minutes per pound or until fish is opaque

Fish fillets  
Boneless cubes

4 - 5 minutes each side or until fish is opaque

## Guide to Grilling Vegetables and Fruit

Prepare your fruit or vegetables and brush with butter or basting sauce if desired. To cook **indirectly**, the food should be placed on the left or right side of your grill with the Burner lit on the opposite side and the grill lid down. Or center your food on the Secondary Cooking Rack and light the outer grill Burners. Either way, **indirect cooking must be done with the Lid down.**

In some instances, you may want to grill vegetables and fruit **directly** over the heat, using the supplied Cooking Grids. Foods that work best with direct heat are relatively soft and require a short cooking time: mushrooms, zucchini, tomatoes and skewered fruit such as apricots, peaches, pineapple, strawberries and kiwis. Remember the **Grill Lid must remain up when cooking directly.**

For very firm vegetables—particularly potatoes and yams, we recommend that you partially boil until almost cooked, before placing them on the grill.

Cooking times using the **indirect method** with the lid down will be similar to those for your kitchen oven. However, there are many factors such as outside temperature, wind conditions and location of grill that affect your grill performance so we suggest you watch the temperature gauge and adjust the heat accordingly.

Cooking times for foods prepared with the **direct method** will be much shorter mainly because of the direct heat source and softness of the food. Timing will be comparable to normal pan frying or grilling.

# Guide to Slow Roasting and Baking Techniques

## An Important Note About Heat Settings

The suggested heat settings shown are approximate. There are many factors such as outside temperature, wind conditions and grill location that affect your grill performance. We offer these cooking times as a convenience, but suggest you watch the temperature gauge and adjust the heat accordingly.

## Preparing to Roast

Roasting uses the **indirect cooking** method. Therefore, the food should be placed on the left or right side of your grill with the Burner lit on the opposite side. You can also use the supplied Cooking Grid with an aluminum drip pan underneath allowing you to collect juices for making gravies. Remember, indirect cooking requires the Lid of your grill to be down.

Preheating your grill is not required for slow cooking methods such as roasting. If you do choose to preheat your grill before roasting, turn the Burners on HIGH and close Lid for approximately 2-3 minutes.

## Food preparation

Trim meat of excess fat. Truss meat and poultry with cooking string to retain shape if desired. Bacon strips can be used to cover the outside surface of lean meat and poultry to help prevent it from drying out. Another method for keeping food moist during roasting is to put water in a cooking pan, then cover with foil. The foil should be removed for the first or the last part of the cooking time to ensure proper browning.

## Tips for roasting

Except when roasting with water in a roasting pan, the juices that collect in the pan can be used as the base for a tasty sauce or gravy. Place a cooking pan directly over the heat, add extra butter if needed, then add several spoonfuls of flour to thicken sauce. Finally, add sufficient chicken or beef stock to obtain the desired consistency.

Once the meat is cooked, remove it from your grill and cover with a piece of foil. Allow it to stand for 10-15 minutes which allows the juices to settle. This will make carving easier and ensure a tender, juicy roast.

Type of Food	How Cooked	Approximate Cooking Times
Beef	Rare	18 minutes per pound
	Medium	23 minutes per pound
	Well done	27 minutes per pound
Lamb	Medium	18 minutes per pound
	Well done	23 minutes per pound
Veal		27 minutes per pound
Pork		30-33 minutes per pound
Chicken		20-25 minutes per pound
Duck		25 minutes per pound
Fish		10 minutes per pound
Turkey, under 16 pounds		20-25 per pound + 30 minutes
Turkey, over 16 pounds		18-23 per pound + 15 minutes

## BAKING TECHNIQUES

From casseroles and cornbread to delicious desserts like fondue fruit skewers or crumb cake, baking on the grill is as easy as baking in the kitchen.

## Preparing to Bake

To bake in your new grill you'll need a baking dish or cast-iron cooking pan, and a pair of flame retardant BBQ Mitts. If the cooking pan is cast-iron be sure to season the pan before use.

Preheat your grill 3-5 minutes, then lower heat to achieve the baking temperature desired. Baking uses the

**indirect cooking** method. Therefore, your cooking pan should be placed on the left or right side of your grill with the burner lit on the opposite side.

## Tips for Baking

Prepare your favorite recipe as you would in the kitchen. Foods cooked in the grill for long periods of time should always be covered in aluminum foil to retain moisture. You will need to stir the food several times as it bakes, and add additional liquid if required.

Watch the temperature, and adjust to cook according to your recipe directions.

## Oven Temperature

Slow	300° - 340° F
Moderate	355° - 390° F
High	410° - 480° F

## Recommended Grill Setting

Both outside Burners on LOW
One outside Burner on HIGH and the other outside Burner on LOW
Both outside Burners on HIGH



## Guide to Rotisserie Cooking

### Slow Cooking with a Rotisserie

A Kenmore Rotisserie Kit is made to fit this particular model. Rotisserie cooking produces foods that are moist, flavorful and attractive. The optional rotisserie system is most commonly used for cooking meat or poultry and is designed to cook food slowly. You can place a cooking pan beneath the food to collect juices for basting and gravy. To flavor the contents of the cooking pan you may add herbs, onions, or other spices of your choice.

The cooking times on a rotisserie will be approximately the same as for oven cooking.

### Balancing the Food

In rotisserie cooking, balancing the food is of utmost importance. The rotisserie must turn evenly or the stopping and starting action will cause the food to cook unevenly and possibly burn the heavier side.

The easiest foods to balance are those of uniform shape and texture. To test if the food is balanced correctly when secured, place the ends of the rotisserie spit loosely in the palms of your hands. If there is no tendency to roll, give the spit a quarter turn. If it is still stable, give it a final quarter turn. It should rest without turning in each of these positions. It can then be attached to your grill.

### Food Preparation

When preparing poultry, truss the birds tightly so that wings and drumsticks are close to the body of the bird. The cavity of the bird may be stuffed prior to this. Pull the neck skin down and, using a small skewer, fix it to the back of the bird. Push the rotisserie spit through lengthwise, catching the bird in the fork of the wishbone. Center the bird and tighten with the holding forks. Test the balance as described before.

A rolled piece of meat requires the rotisserie skewer to be inserted through the center of the length of meat, then secured and balanced.

For meats that contain bones, it is best to secure the rotisserie skewer diagonally through the meaty sections. If protruding bones or wings brown too quickly, cover with pieces of foil.

## Guide to Smoking

### Preparing to Smoke

Smoking gives food a distinctive, delicious flavor. You will find a variety of wood chips or pellets available for use in smoking grilled foods. Pre-soaking of wood chips may be required so read and follow the manufacturer's instructions for preparation of smoking chips prior to use.

**Note:** it is our experience that many smoking chip and pellet products do not actually produce a smoke but instead infuses the food with flavor. Please read product labels carefully and if in doubt, ask your retailer for details.

### Using A Smoker Box

There are many optional smoker boxes available for purchase. Follow these guidelines and always refer to the label of your smoking chips or pellets for specific directions.

Raise your Grill Lid and light the grill. Lower the Grill Lid allowing your grill to reach the desired cooking temperature for the food you are grilling. Fill your smoker box with your prepared smoking chips or pellets. Dried herbs and spices may also be added to produce different flavors. Wear a flame retardant BBQ Mitt and place your smoker box on a Cooking Grid or Flame Tamer directly above a lit grill Burner. The heated smoking chips or pellets will flavor your foods.

### Tips for Smoking

You can reduce the strength of the smoke flavor by only smoking for half or three quarters of the cooking time. The heat required for smoking is normally LOW to MEDIUM.

Foods naturally high in oils lend themselves well to smoking, while drier foods benefit from a marinade. You can also rub the food with herbs, spices or flavored oils. Many foods can be smoked to produce stunning results with very little effort. Here are a few suggestions:

- **Tuna steaks**, marinated in Asian flavors of sesame oil, soy sauce and sherry.
- **Pork fillets**, rubbed with ginger, orange rind and brushed with maple syrup.
- **Mussels**, brushed with lemon rind and chili oil.
- **Lamb cutlets**, marinated in virgin olive oil, lemon, oregano and black pepper. The same marinade can be used for a whole leg or rack of lamb.
- **Chicken**, boneless chicken pieces—especially sliced breasts.
- **Fish**, sliced fillets of firm fish, assorted seafood such as prawns, scallops and calamari.
- **Pork**, sliced fillets, diced or minced pork, sliced leg steak, sliced chops.
- **Beef**, sliced fillet, rib-eye, round, rump, sirloin.
- **Lamb**, sliced fillet, round, loin.

## Guide to Stir-Frying and Deep-Frying

### STIR-FRYING TECHNIQUES

This method of cooking is popular around the world and can be easily accomplished outdoors on your Kenmore gas grill. It's a quick and healthful way of preparing a complete meal using meat, poultry or seafood in infinite combinations with other interesting ingredients like vegetables, rice or noodles.

#### Preparing to Stir-fry

Although it is possible to stir fry in other dishes, a wok is your best tool. Its high sides enable the cook to stir food without spillage. Its construction allows you to cook quickly at high temperatures, with instant control of heat which is essential for successful stir frying.

#### Food preparation

Slice meat and poultry into long thin strips and cube fish fillets. Remove all fat from meat and poultry and cut large vegetables into even slices or cubes.

Marinate foods for extra flavor and tenderness. Marinating times will vary for red meat, fish and or various cuts. Less tender cuts of meat should be marinated longer. Remember to always chill marinating food in the refrigerator prior to cooking.

Stir-fry meats, poultry or fish first. Next, add hard vegetables like carrots. Then continue with softer vegetables like snowpeas and peppers. To ensure even cooking, continually stir and toss the food in the wok using a wooden spoon or spatula.

#### Tips for Stir-frying

Place a wok on a Cooking Grid or Side Burner directly over a HIGH heat. Add only a small amount of food at a time to ensure fast cooking and also to allow the wok to reheat between ingredients.

### DEEP-FRYING TECHNIQUES

A wide variety of foods can be deep-fried outdoors on your grill, from potatoes, to seafood and chicken. Deep-frying uses a large portion of oil, preferably saturated. The outdoor location is ideal for deep-frying as smoke, grease and smells disperse in the open air instead of collecting on the ceiling of your kitchen.

#### Preparing to Deep-fry

Deep-fry on your grill using a cooking pan or wok, over direct heat.

Fill a cooking pan no more than half full of vegetable or corn oil. Start with LOW heat, then raise the heat gradually. Check the temperature of the oil carefully with a frying thermometer or test with a cube of bread. The cube of bread should brown in about 30 seconds for most cooking needs. A temperature between 350 and 400 degrees is optimal for preparing the majority of deep-fried foods.

#### Food Preparation

Foods being deep-fried taste better when coated with either batter or breadcrumbs to add flavor and prevent moisture from escaping.

#### Tips for Deep-frying

Wear a flame retardant BBQ Mitt and slowly lower foods into the hot oil using a wire scoop or stainless steel tongs. Add only a small quantity of food to the oil, allow it to cook, then repeat with another small quantity. This ensures the oil doesn't drop in temperature. Once the food is cooked, remove it carefully and drain onto a paper towel. Turn the heat off as soon as you have finished deep-frying and allow your pan to cool. When the oil is cool, remove all remnants of fried foods by straining it through a fine metal sieve, and store it in a clean bottle for future use.

## Guide to Using the Cooking Rack

Vegetables are generally easy to cook on the grill. The Cooking Rack makes it convenient because you can still use the main cooking area while the vegetables are suspended above the grids.

Pre-cook hard vegetables by briefly boiling or microwaving them before cooking on the grill. Wrap vegetables in a double thickness of foil to protect them while cooking on the grill. Then, remove the foil if desired, 10-15 minutes before the end of cooking, brush vegetables with butter or oil and finish cooking.

The Cooking Rack can be used for purposes other than just the obvious. Consider using the rack for warming French bread, garlic bread, croissants or even bagels.

A small whole fish wrapped in foil also cooks well on the Cooking Rack. Parcels of seafood such as scallops, prawns and sliced fish fillets prepared in a sauce and portioned into small foil wraps cook well this way, too.

## Recipes

### ONION BURGERS

A honey and mustard sauce glazes the onion slices as they cook alongside these delicious burgers. For optimal sweetness, select Vidalia or Walla Walla onions. **Makes 4 open face burgers.**

#### Ingredients

- 2 large sweet onions, sliced (12 to 16 ounces)
- 2 tablespoons margarine or melted butter
- 2 teaspoons dry mustard
- 2 teaspoons honey
- 1 pound lean ground beef
- 1/4 teaspoon salt
- 1/8 teaspoon pepper
- 4 slices Texas toast
- 4 lettuce leaves
- 4 tomato slices

#### Preparing Onions

Place onions in a cooking pan or on a small piece of aluminum foil. Combine melted margarine, mustard and honey, then drizzle over onions. Cover pan with lid or fold up edges of foil and seal with double fold to completely enclose onions leaving space for steam to build. Place pan or foil packet on grill directly over medium heat for 15 minutes with the grill lid up.

#### Preparing Burgers

While onions are cooking, combine ground beef, salt and pepper in a medium bowl and mix well. Shape mixture into four 3/4 inch burger patties and add to grill, directly over heat. Grill burgers along with onions for about 5 minutes, then turn burgers. Grill for 8 to 10 minutes more or until no pink remains in meat, and onions are tender. To serve, toast both sides of Texas toast on grill. Then top each slice of Texas toast with a burger, lettuce, tomato and onion. Sprinkle with pepper if desired.

### DOUBLE SALSA BURGERS

A fresh tomato salsa flavors the beef mixture for a zesty tasting burger. The salsa also serves as a colorful topping. **Makes 6 burger patties.**

#### Ingredients

- 1 large tomato, seeded and finely chopped
- 1/2 cup finely chopped green pepper
- 1/4 cup finely chopped red onion
- 2 finely chopped, seeded jalapeno peppers
- 1 garlic clove, minced
- 1 tablespoon snipped cilantro

- 1/4 teaspoon salt
- 1 1/2 pounds lean ground beef
- 2 cups shredded lettuce
- 1/3 cup finely shredded cheddar cheese
- 1/4 cup dairy sour cream and /or guacamole

#### Preparing the Salsa

Combine tomato, green pepper, onion, jalapeno peppers, garlic, cilantro and salt in a bowl. Set aside 2 tablespoons of salsa. Cover and chill remaining salsa until serving time.

#### Preparing Burgers

In another bowl, combine ground beef with 2 tablespoons of reserved salsa, mix well. Shape mixture into six 1/2 inch thick burgers and place on the grill directly over medium heat with lid up. Grill for 13 to 15 minutes or until no pink remains. Turn burgers once, halfway through grilling time. Arrange the shredded lettuce on individual plates. Top lettuce with a burger, cheddar cheese and salsa. Serve with sour cream and/or guacamole.

### CHICAGO STYLE HOT DOGS

Serve these hot dogs "Chicago-style" with pickled peppers! **Makes 4 servings.**

#### Ingredients

- 1/3 cup ketchup
- 1/4 cup chopped pickled peppers
- 2 tablespoons pickle relish
- 2 tablespoons chopped onion
- 1/4 teaspoon poppy seed
- 4 fully cooked 4-ounce jumbo hot dogs
- 4 hot dog buns

#### Preparing the Relish

Combine ketchup, chopped pickled peppers, relish, onion and poppy seed in a small bowl, then set aside.

#### Preparing Hot Dogs

Place hot dogs on grill directly over MEDIUM heat 5 to 8 minutes with the lid up. Turn hot dogs and brush with some of the relish mixture. Grill hot dogs 6 to 8 minutes more or until thoroughly cooked.

#### To Serve

Toast inner sides of hot dog buns on grill. Serve hot dogs inside buns and top with remaining relish mixture.

## RIB EYE STEAKS WITH GRILLED GARLIC

As they cook, the garlic cloves mellow in flavor, making a delicious sauce for any grilled meat. And for an appetizer, spread the softened cloves over toasted slices of french bread! **Makes 4 servings.**

### Ingredients

- 1 whole Head of garlic
- 2 tablespoons olive oil or cooking oil
- 1 tablespoon snipped fresh basil, or 1/2 teaspoon dried basil, crushed
- 1 tablespoon snipped fresh rosemary or 1/2 teaspoon dried rosemary, crushed
- 2 twelve-oz. boneless rib eye steaks

### Preparing the Garlic

Use a cooking pan or tear off a 24x18-inch piece of aluminum foil and fold long length in half, then trim to make a 12-inch square. Remove the outer layer of garlic Head, then cut off and discard the top 1/2-inch of garlic Head to expose the garlic cloves. Place garlic Head in center of a cooking pan or in center of foil with all sides of the foil folded up around the garlic to form a cup. Drizzle garlic with oil and sprinkle with basil and rosemary. Cover pan or twist the ends of the foil to completely enclose the garlic.

### Preparing Steaks

Place steaks and the garlic pack on grill directly over MEDIUM heat and cook about 7 minutes with the lid up. Turn steaks and grill for 5 to 8 minutes more, or until cooked to taste. Then remove steaks and place on platter. Remove garlic and drizzle its juices over your steak. Remove the softened garlic cloves and spread over your steak. Season with salt and pepper as desired and cut into serving-size pieces.

## HERB-PEPPER SIRLOIN STEAK

The hearty beef flavor is complemented with a delicious herb coating! **Makes 6 servings.**

### Ingredients

- 2 tablespoons ketchup
- 1/2 teaspoon coarsely ground pepper
- 1 1/2 teaspoons snipped fresh rosemary or 1/2 teaspoon dried rosemary, crushed
- 1 1/2 teaspoons snipped fresh basil or 1/2 teaspoon dried basil, crushed
- 1/8 teaspoon garlic powder
- 1 1 1/2-pound boneless beef sirloin steak, cut 1-inch thick

### Preparation

Combine ketchup, pepper, rosemary, basil and garlic powder. Coat both sides of steak with mixture. Grill steak with lid up, directly over medium heat for 6 minutes. Turn steak and grill for 8 to 12 minutes more or until cooked as desired. Cut into serving size pieces.

## BARBECUED RIBS

Serve this tangy barbecue classic with corn-on-the-cob, green salad, potato salad or coleslaw! **Makes 4 servings.**

### Ingredients

- 2 pounds American style pork spareribs
- 1/2 cup barbecue sauce
- 1/2 cup tomato sauce
- 2 cloves garlic, crushed
- juice of 1 lemon
- few drops of tobasco sauce

### Preparation

Place ribs into a large glass or ceramic dish. Combine remaining ingredients and pour over the ribs. Refrigerate for several hours.

Preheat your grill 3 minutes and place the ribs on cooking grid. Cook indirectly, over a low to medium heat until cooked. During the last few minutes of cooking you can cook the ribs over a direct fire for added barbecue flavor and texture.

## MARINATED TUNA STEAK

Experiment with unique dishes, like this tuna steak recipe boasting a delicious wine marinade!

**Makes 4 servings.**

### Ingredients

- 4 6-ounce fresh or frozen tuna steaks cut 1 inch thick. Thaw fish if frozen
- 1/3 cup dry white wine
- 1 tablespoon lemon juice
- 1 tablespoon olive oil or cooking oil
- 1 clove garlic, minced
- 2 teaspoons snipped fresh rosemary, crushed, or 1/2 teaspoon dried rosemary, crushed
- 1 teaspoon snipped fresh oregano, crushed, or 1/4 teaspoon dried oregano, crushed
- 1/4 teaspoon salt

### Preparation

Combine wine, oil, garlic, rosemary, oregano and salt. Place tuna steak in plastic bag and into shallow dish, add marinade then seal bag. Rotate bag to coat fish well then chill for up to 2 hours, turning fish once.

Remove fish from bag and discard marinade. Place a cooking pan with baking rack or roasting rack into center of grill with outer burners on MEDIUM heat. Cook tuna steak on top of rack with lid down for 8 to 12 minutes or until fish begins to flake easily. Turn fish once during cooking. When cooked, remove fish from grill and serve.

## MUSTARD-GLAZED HALIBUT STEAKS

A simple sauce of melted margarine, lemon juice, Dijon-style mustard and basil adds a scintillating note to these sizzling fish steaks! **Makes 4 servings.**

### Ingredients

- 4 6-ounce fresh or frozen halibut steaks, cut 1 inch thick
- 2 tablespoons margarine or butter
- 2 tablespoons lemon juice
- 1 tablespoon Dijon-style mustard
- 2 teaspoons snipped fresh basil or 1/2 teaspoon dried basil, crushed

### Preparation

Combine thawed fish, margarine or butter, lemon juice, mustard and basil into a cooking pan or aluminum foil rectangle, and cook directly over low flame until melted. Brush mixture over both sides of halibut fish steaks. Pour balance of mixture into small bowl.

Place clean cooking pan or foil on center of grill with both outer burners on MEDIUM. Place fish on grill and close lid. Cook indirectly for 8 to 12 minutes or just until fish begins to flake easily, turning once and brushing as needed with remaining mixture.

## ALMOND COATED TROUT

This delicious recipe is unique and easy to prepare on your gas grill. **Makes 4 servings.**

### Ingredients

- 2 trout
- 1/2 cup all purpose flour
- 1 egg, lightly beaten
- 1 cup sliced almonds
- 1/3 cup parmesan cheese, grated
- olive or peanut oil for frying

### Preparation

Remove the Head and tail from trout and fillet all bones. Cut each fish in half to form 4 long fillets. Coat fish in flour, dip in egg and roll in almonds. Refrigerate for 1 hour.

Fill a cooking pan with 1 to 2 inches of oil, and place over HIGH heat. Cook trout until golden brown. Drain oil, sprinkle trout with parmesan cheese and serve right from the grill.

## SOUTHWEST CHICKEN BREASTS

This popular recipe can also be a grilled chicken salad! Slice chicken into small strips and place them on top of shredded lettuce with avocado dressing and top with cheese! **Makes 6 servings.**

### Ingredients

- 1/4 cup dry white wine
- 2 tablespoons olive oil or cooking oil
- 2 teaspoons snipped fresh tarragon or 1/4 teaspoon dried tarragon, crushed
- 1/4 teaspoon salt
- 6 skinless, boneless chicken breast halves
- 2 avocados, pitted, peeled and chopped
- 1 tomato, chopped
- 1 clove garlic, minced
- 2 tablespoons finely chopped seeded green chili peppers of your choice
- 2 green onions, finely chopped
- 1 tablespoon snipped fresh cilantro
- 1 tablespoon honey
- 1 tablespoon lemon juice

### Preparing the Chicken

Combine wine, oil, tarragon and salt. Rinse chicken and dry with paper towels. Place chicken in plastic bag and into shallow dish—then add marinade and seal bag. Rotate chicken to coat well and chill up to 24 hours, turning bag occasionally.

### Preparing the Avocado Dressing

Combine avocados, tomato, garlic, chili peppers, onions, cilantro, honey and lemon juice. Toss well then cover and chill up to 2 hours.

### Grilling the Chicken

Remove the chicken from plastic bag and reserve the marinade. Grill chicken directly over MEDIUM heat with lid up for 5 minutes. Turn chicken and brush with marinade, then grill for 5-10 minutes more or until chicken is no longer pink. Serve with side of avocado dressing.

## BARBECUED CHICKEN

Another backyard favorite, this recipe includes an easy to make sweet and spicy sauce.

**Makes 4 servings.**

### Ingredients

- 1/2 cup ketchup
- 1/4 cup orange marmalade
- 1 tablespoon vinegar
- 1/2 teaspoon celery seed
- 1/2 teaspoon chili powder
- 1/4 to 1/2 teaspoon bottled hot pepper sauce
- 1 2 1/2 to 3 pound broiler-fryer chicken, pre-cut

### Preparing the Sauce

Combine ketchup, marmalade, vinegar, celery seed, chili powder and hot pepper sauce in a cooking pan, and cook directly over a LOW to MEDIUM heat. Leave the cooked sauce in the pan and remove from heat until chicken is prepared.

### Preparing the Chicken

Wash chicken and dry with paper towels. Turn outside burners on MEDIUM and place pre-cut chicken pieces (bone side down) in center of grill. Close lid and cook indirectly for 1 hour or until chicken is no longer pink. Brush occasionally with sauce. Remove chicken from grill once cooked, then place cooking pan with sauce into center of grill and reheat. Pour warmed sauce over chicken and serve.

## TRADITIONAL HOLIDAY TURKEY

Imagine everyone's surprise when you serve your next holiday turkey—complete with dressing—delicious and tender straight from the grill! **Serves 8 - 10**

### Ingredients for Turkey

- 8 - 10 pound whole turkey
- 4 ounces butter, softened
- 2 tablespoons chopped thyme
- 2 tablespoons lemon juice
- 2 teaspoons grated lemon rind

### Ingredients for Dressing

- 2 ounces butter
- 2 onions, finely chopped
- 8 ounces bacon, chopped
- 2 tablespoons port wine
- 1/4 cup red wine
- 2 chicken stock cubes
- 4 ounces chopped cashews, hazelnuts or pecans
- 1/2 cup chopped celery
- 1/2 cup chopped carrot
- 1 - 1 1/2 cups fresh white breadcrumbs
- 1 egg, lightly beaten
- salt and pepper to taste

### Preparing the Dressing

Prepare dressing in a cooking pan directly over MEDIUM heat. Melt butter, add onions and bacon then saute 3 minutes. Add port, red wine and stock cubes and bring to a boil. Cook 2 minutes. Wear protective gloves and remove pan to allow ingredients to cool. Add remaining ingredients and mix.

### Preparing the Turkey

Although not required, you may want to preheat your grill 3 minutes.

Wash inside of turkey and dry with paper towels. Pack breadcrumb seasoning into the turkey cavity. Combine the butter, thyme, lemon juice and rind together in a bowl. Using turkey baster, insert butter mixture under skin covering the turkey breast.

Truss the turkey with string and place it on a baking pan or roasting rack that rests into a cooking pan. Remove the cooking grids from your grill if necessary, then place the cooking pan and turkey in the center of your grill. Turn one outside burner to LOW, the other to MEDIUM, and close lid. Cook indirectly for 3 1/2 to 4 hours or until cooked. Halfway through cooking time you may alternate burner temperatures so that the turkey browns evenly. Once cooked, remove dressing from cooked turkey, slice and serve.

## PIZZA ON THE GRILL

You may never want to call out for pizza again! Follow this pizza dough recipe, or purchase ready-made pizza dough found in your grocers refrigerated section—next to the biscuits. Slice and serve directly from the grill. **Serves 6 - 8**

### Ingredients

- 1 1/2 teaspoons dried yeast
- 1 cup lukewarm water
- 1/2 teaspoon sugar
- 3 tablespoons olive oil
- 3 cups all purpose flour
- 1/4 cup tomato paste or Italian tomato sauce
- 6 ounces sliced pepperoni
- 1 red pepper, roasted and sliced
- 3/4 cup pitted black olives
- 8 ounces grated mozzarella cheese

It's easy to customize this recipe with toppings to suit your family's taste. For spicier crust, lightly rub the dough with olive oil then spice with pepper and garlic salt before spreading your tomato sauce.

### Preparing the Pizza Dough

Combine yeast, water and sugar together and let stand in a warm place until mixture starts to foam. Add this yeast mixture to flour and oil and combine to form your pizza dough. Knead on a lightly floured surface until smooth and elastic. Cover and stand in a warm place until doubled in size. Knock back dough and roll out to a rectangle the size of your cooking pan or baking dish. Place dough into a lightly oiled pan.

If you purchased a ready-made pizza dough, simply open can and roll dough into a lightly oiled cooking pan.

### Preparing the Pizza

Spread tomato paste or Italian tomato sauce on top of your pizza dough. Top with pepperoni, red peppers, olives, and lastly, mozzarella cheese. Or if you prefer, you may place cheese first with toppings on last.

Place a cooking pan in center of grill and cook indirectly, with one outside burner on HIGH and the other on LOW, for approximately 20 minutes or until bottom of crust is light brown. Lastly, raise the lid and finish cooking pizza by turning burner under the cooking pan on high for about 2 minutes. This will insure the center of pizza gets brown. Then turn off heat, slice and serve directly from pan.

## FRESH VEGETABLE STIR-FRY

Take a trip to the Orient with this easy, and healthy vegetable recipe. **Makes 4 - 6 servings.**

### Ingredients

- 2 tablespoons oil
- 1 onion, cut into wedges
- 1 carrot, thinly sliced
- 2 cups broccoli, cut into small flowerets
- 1 red pepper, sliced
- 2 sticks celery, thinly sliced
- 1 cup snow peas
- 1/2 cup chicken broth

### Preparation

Heat oil in a wok or saute pan, directly over a HIGH heat. Add onion and cook 1 minute. Add carrot and broccoli and stir-fry 2 minutes, then add red pepper, celery and snow peas and continue cooking 1 minute more. Add chicken broth and toss vegetables until cooked to desired doneness.

## ONION BLOSSOMS

Great served as a snack, or to dress up barbecued meats, poultry or fish. **Makes 4 servings.**

### Ingredients

- 4 medium sweet onions (4-5 ounces each)
- 1 tablespoons margarine or butter, melted
- 1 teaspoon Dijon-style mustard
- 1/8 teaspoon hot pepper sauce
- 1 tablespoon brown sugar
- 1 pepper (optional)

### Preparation

Peel onions, then cut almost completely through each onion, forming 8 wedges. Onion will be loose, but still intact. Prepare four 12-inch squares of aluminum foil. Place one onion in the center of each foil square.

Stir margarine (or butter) with hot pepper sauce and drizzle over onions. Sprinkle with brown sugar. Then bring up two sides of foil square and double fold. Bring remaining corners up and completely enclose leaving enough space for steam to build.

Place wrapped onion blossoms on grill, directly over MEDIUM heat. Close lid and cook 15 to 25 minutes or until onions are nearly tender. Make a 2-inch opening at the top of each onion wrapping, then close lid and cook 5 to 10 minutes more, or until onions are lightly browned. Sprinkle with pepper if desired and serve warm.

## GRILLED POTATO SKINS

Serve these crispy potatoes as a snack or side dish. We've included microwave instructions for a timesaving short cut. **Makes 12 servings.**

### Ingredients

- 6 baking potatoes (about 8 ounces each)
- 3 tablespoons margarine or butter, melted
- 1/2 cup picante sauce
- 1 cup shredded cheddar cheese (4 ounces)
- 3 slices bacon, crisp-cooked and crumbled or use prepackaged bacon bits
- 1 chopped tomato (optional)
- 1 diced green onion (optional)
- 1/2 cup sour cream (optional)

### Preparation

Puncture clean potatoes with a fork, wrap in aluminum foil and place directly over LOW to MEDIUM heat. Close lid and cook directly for 1 hour or until center is tender. OR - Microwave clean, punctured potatoes on HIGH for 15 to 20 minutes, or until center tender. Allow cooked potatoes to cool, then unwrap and discard foil.

Cut potatoes in half - lengthwise. Scoop out potato pulp (serve separately or discard.) Be sure to leave 1/4-inch thick potato shell remaining. Brush the inside of each potato shell with melted margarine. Spoon 2 teaspoons picante sauce into each potato shell, sprinkle with cheese and top with bacon.

Place prepared potato skins on grill, directly over MEDIUM heat. Close lid and cook for 8 to 10 minutes or until potato skins are crisp. Sprinkle each potato skin with tomato and green onion and then top with sour cream, if desired.



## Guide to Using An Optional Smoker Box

### Preparing to Smoke

Smoking gives food a distinctive, delicious flavor. You will find a variety of wood chips or pellets available for use in smoking grilled foods. Pre-soaking of wood chips may be required so read and follow the manufacturers instructions for preparation of smoking chips prior to filling the Smoker Drawer.

### Using The Optional Smoker Box

In order to get optimum performance from any smoker box, remove one of the stainless steel cooking grids. Fill the smoker box with your prepared smoking chips. Dried herbs and spices may also be added to produce different flavors. Place the filled smoker box directly over the Flame Tamer and the heat will produce smoke and season the food.

### Tips for Smoking

You can reduce the strength of the smoke flavor by only smoking for half or three quarters of the cooking time. The heat required for smoking is normally low to medium.

Foods naturally high in oils lend themselves well to smoking, while drier foods benefit from a marinade. You can also rub the food with herbs, spices or flavored oils. Many foods can be smoked to produce stunning results with very little effort. Here are a few suggestions:

- **Tuna steaks**, marinated in Asian flavors of sesame oil, soy sauce and sherry.
- **Pork fillets**, rubbed with ginger, orange rind and brushed with maple syrup.
- **Mussels**, brushed with lemon rind and chili oil.
- **Lamb cutlets**, marinated in virgin olive oil, lemon, oregano and black pepper. The same marinade can be used for a whole leg or rack of lamb.
- **Chicken**, boneless chicken pieces specially sliced breasts
- **Fish**, sliced fillets of firm fish, assorted seafood such as prawns, scallops and calamari
- **Pork**, sliced fillets, diced or minced pork, sliced leg steak, sliced chops
- **Beef**, sliced fillet, rib-eye, round, rump, sirloin
- **Lamb**, sliced fillet, round, loin

# Get it fixed, at your home or ours!

## Your Home

For repair—in your home—of all major brand appliances, lawn and garden equipment, or heating and cooling systems, no matter who made it, no matter who sold it!

For the replacement parts, accessories and owner's manuals that you need to do-it-yourself.

For Sears professional installation of home appliances and items like garage door openers and water heaters.

**1-800-4-MY-HOME<sup>SM</sup>** (1-800-468-4663)

Call anytime, day or night (U.S.A. and Canada)

[WWW.1800S.COM](http://WWW.1800S.COM)    [WWW.SEARSLCS](http://WWW.SEARSLCS)

## Our Home

For repair of carry-in items like vacuums, lawn equipment, and electronics, call or go on-line for the location of your nearest

**Sears Parts & Repair Center.**

**1-800-488-1222**

Call anytime, day or night (U.S.A. only)

[WWW.SSEPS.COM](http://WWW.SSEPS.COM)

To purchase a protection agreement (U.S.A.) or maintenance agreement (Canada) on a product serviced by Sears:

**1-800-827-6655** (U.S.A.)

**1-800-361-6865** (Canada)

Para pedir servicio de reparación a domicilio, y para ordenar piezas:

**1-888-BU-HOGAR<sup>SM</sup>**

(1-888-784-6427)

Au Canada pour service en français:

**1-800-LE-FOYER<sup>SM</sup>**

(1-800-533-6937)

[WWW.SSEPS.CA](http://WWW.SSEPS.CA)

# SEARS

® Registered Trademark / <sup>SM</sup> Trademark / <sup>SM</sup> Service Mark of Sears, Roebuck and Co.  
® Marken eingetragen / <sup>SM</sup> Markenrechte / <sup>SM</sup> Marken der Sears, Roebuck and Co.  
® Marques de commerce / <sup>SM</sup> Marques déposées de Sears, Roebuck and Co.

© Sears, Roebuck and Co.

## Free Manuals Download Website

<http://myh66.com>

<http://usermanuals.us>

<http://www.somanuals.com>

<http://www.4manuals.cc>

<http://www.manual-lib.com>

<http://www.404manual.com>

<http://www.luxmanual.com>

<http://aubethermostatmanual.com>

Golf course search by state

<http://golfingnear.com>

Email search by domain

<http://emailbydomain.com>

Auto manuals search

<http://auto.somanuals.com>

TV manuals search

<http://tv.somanuals.com>