



Kenmore 30-Inch Electric Single Oven

- 22-48832 – White
- 22-48833 – Stainless
- 22-48834 – Bisque
- 22-48839 – Black

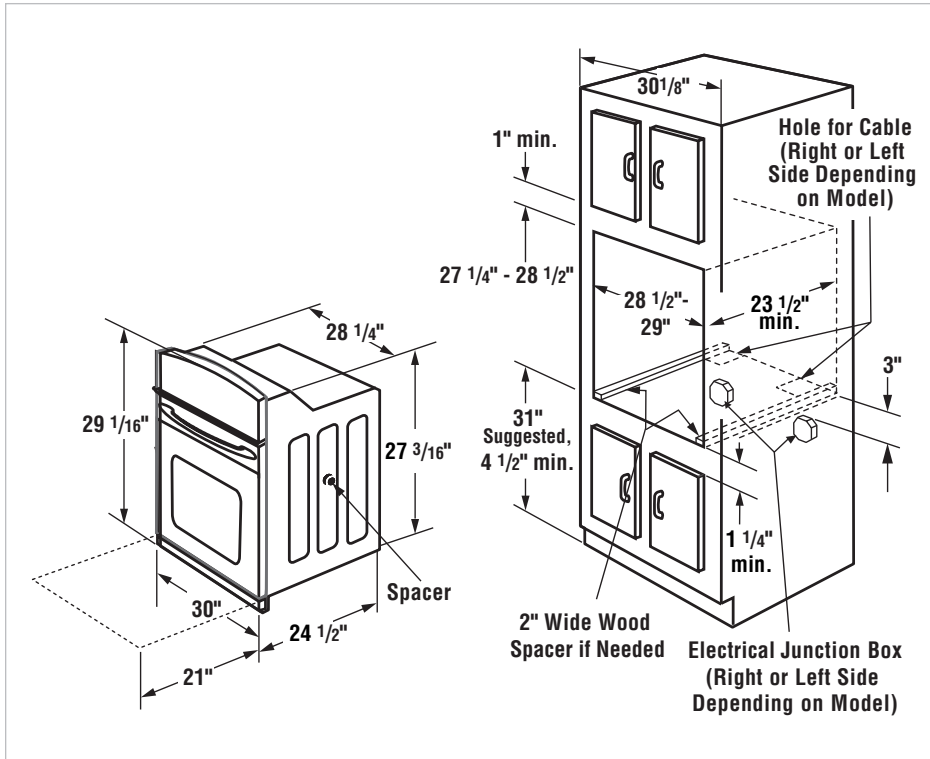
- Flush-to-cabinet design
- 4.2 cu. ft. capacity
- Select Clean® self-clean oven
- Two porcelain-coated, self-clean oven racks with integrated handles
- Easy Set™ 355W2 controls with lockout
- Cook & hold warm oven
- Delay cook and clean

Model	22-48832	22-48833	22-48834	22-48839
Overall	White	Stainless	Bisque	Black
Console	White	Stainless	Bisque	Black
Controls	White	Stainless	Bisque	Black
Door	White	Stainless	Bisque	Black
Handle	White	Stainless	Bisque	Black

Selection	
White	22-48832
Stainless	22-48833
Bisque	22-48834
Black	22-48839
Oven Features	
Overall Width, Inches	30
Oven Capacity (cu. ft.)	4.2
Cleaning System	Self-Clean
Variable Time Self-Cleaning	Select Clean™ (2-3-4 Hrs.)
Electronic Oven Controls	Easy Set™ 355W2
Control Lockout	•
Add-1-Minute Timer	•
Temperature Recall	•
Cook & Hold Warm Oven	•
Delay Start	Cook / Clean
Automatic Oven Shutoff	•
Sabbath Mode*	Certified
Hidden Bake Element	•
Variable Broiling System	Hi / Lo
Integrated Handle Oven Racks	2
Self-Clean Porcelain-Coated Racks	•
Oven Racks Positions	5
Interior Oven Light	Auto / Manual
Removable Glass Door	(48833: Stainless Door)
Frameless Oven Door	•
Window	X-Large
Reach-Through Handle(s)	•
Lower Oven Interior WxHxD (In.)	24 1/8 x 16 1/2 x 18 1/32
General Features	
Flush Fit Design	•
Oven Door Handle Material	Metal
Approved for Use Below Countertop	•
Power Rating (kW) @ 240V / 208V	3.4 / 2.6
Bake @ 240V (Watts) 8-Pass	3,400
Broil @ 240V (Watts) 6-Pass	2,750
Breaker / Copper Wire Size (240V)	30 / 10
Shipping Weight (Approx. Lbs.)	158
Warranty	
1-Year Limited Warranty – Entire Appliance	Parts & Labor

If used for other than private family purposes, warranty applies for only 90 days.

\*\*Sabbath Mode overrides auto oven shutoff





Kenmore 30-Inch Electric Double Oven

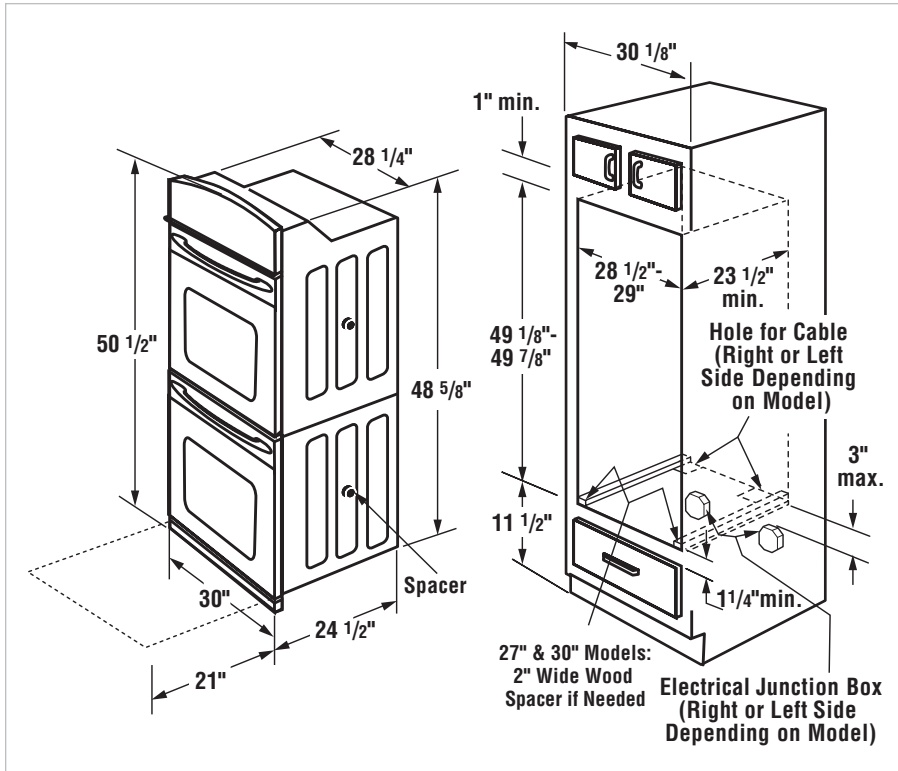
- 22-48772 – White
- 22-48773 – Stainless
- 22-48774 – Bisque
- 22-48779 – Black

- Flush-to-cabinet design
- 4.2 cu. ft. capacity (both ovens)
- Select Clean® self-clean oven (both ovens)
- Two porcelain-coated, self-clean oven racks with integrated handles (both ovens)
- Easy Set™ 615W2 controls with lockout
- Cook & hold warm oven
- Delay cook and clean

Model	22-48772	22-48773	22-48774	22-48779
Overall	White	Stainless	Bisque	Black
Console	White	Stainless	Bisque	Black
Controls	White	Stainless	Bisque	Black
Door	White	Stainless	Bisque	Black
Handle	White	Stainless	Bisque	Black

Selection	
White	22-48772
Stainless	22-48773
Bisque	22-48774
Black	22-48779
Oven Features	
Overall Width, Inches	30
Oven Capacity (cu. ft.)	4.2 Upper / 4.2 Lower
Cleaning System Upper Oven	Self-Clean
Cleaning System Lower Oven	Self-Clean
Variable Time Self-Cleaning	Select Clean® (2-3-4 Hrs.)
Electronic Oven Controls	Easy Set™ 615W2
Control Lockout	•
Add-1-Minute Timer	•
Temperature Recall	•
Cook & Hold Warm Oven	•
Delay Start	Cook / Clean
Automatic Oven Shutoff	•
Sabbath Mode**	Certified
Hidden Bake Element	•
Variable Broiling System	Hi / Lo
Integrated Handle Oven Racks	2 Upper / 2 Lower
Self-Clean Porcelain-Coated Racks	•
Oven Rack Positions	5 In Each Oven
Interior Oven Light	Auto / Manual
Removable Glass Door	(48773: Stainless Door)
Frameless Oven Door	•
Window	X-Large
Reach-Through Handle(s)	Metal
Upper Oven Interior WxHxD (In.)	24 1/8 x 16 1/2 x 18 1/32
Lower Oven Interior WxHxD (In.)	24 1/8 x 16 1/2 x 18 1/32
General Features	
Flush Fit Design	•
Oven Door Handle Material	Metal
Power Rating (kW) @ 240V / 208V	6.8 / 5.1
Bake @ 240V (Watts) Both Ovens 8-Pass	3,400
Broil @ 240V (Watts) Both Ovens 6-Pass	2,750
Breaker / Copper Wire Size (240V)	30 / 10
Shipping Weight (Approx. Lbs.)	276
Warranty	
1-Year Limited Warranty – Entire Appliance	Parts & Labor

If used for other than private family purposes, warranty applies for only 90 days.  
 \*\*Sabbath Mode overrides auto oven shutoff





Kenmore 30-Inch Electric Combination Oven

- 22-48852 – White
- 22-48853 – Stainless
- 22-48859 – Black

- Flush-to-cabinet design
- 2.0 cu. ft. upper microwave oven with sensor cooking
- Auto defrost / auto cook
- 1,200W power; 10 power levels
- Turntable
- 4.2 cu. ft. lower oven capacity
- Select Clean® self-clean oven
- Two porcelain-coated, self-clean oven racks with integrated handles

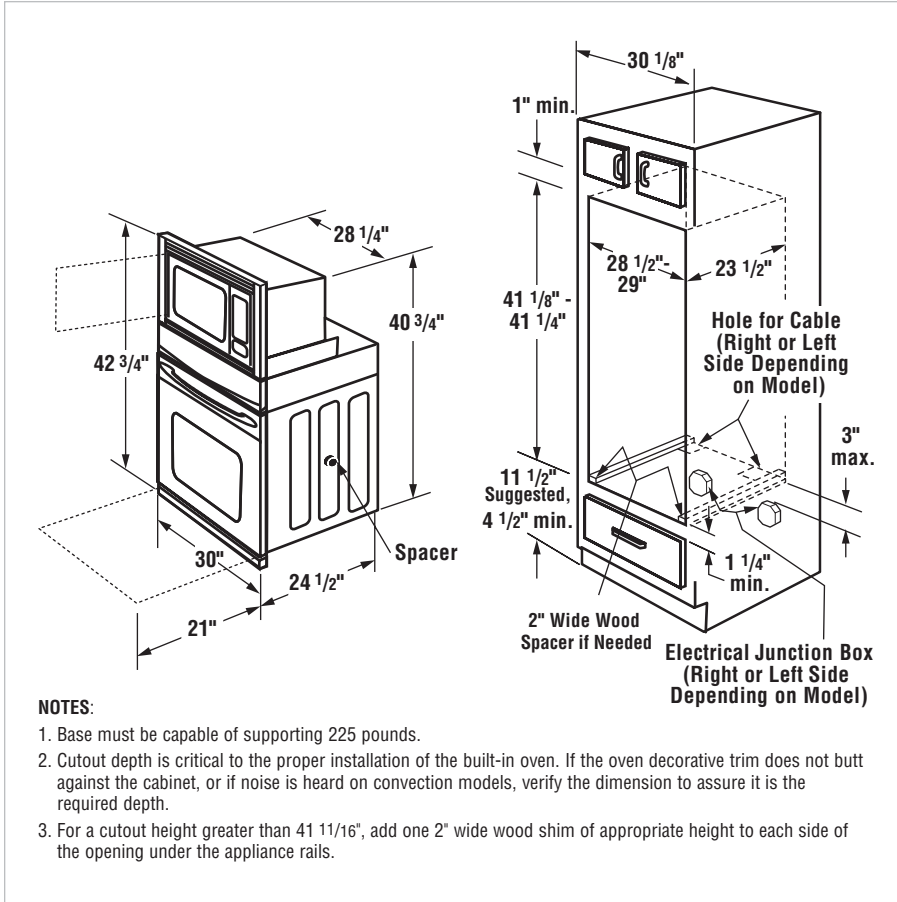
Model	22-48852	22-48853	22-48859
Overall	White	Stainless	Black
Console	White	Stainless	Black
Controls	Grey	Grey	Grey
Door	White	Stainless	Black
Handle	White	Stainless	Black

Selection	
White	22-48852
Stainless	22-48853
Black	22-48859
Oven Features	
Overall Width, Inches	30
Oven Capacity (cu. ft.)	4.2
Cleaning System	Self-Clean
Variable Time Self-Cleaning	Select Clean®
Electronic Oven Controls	Easy Set™ 355W2
Control Lockout	•
Add-1-Minute Timer	•
Temperature Recall	•
Cook & Hold Warm Oven	•
Delay Start	Cook / Clean
Automatic Oven Shutoff	•
Sabbath Mode*	Certified*
Hidden Bake Element	•
Variable Broiling System	Hi / Lo
Integrated Handle Oven Racks	2
Self-Clean Porcelain-Coated Racks	•
Oven Racks Positions	4
Oven Light(s)	Auto / Manual
Glass Door	•••
Frameless Oven Door	•
Window	X-Large
Deluxe Reach-Through Handle	•
Lower Oven Interior WxHxD (In.)	24 1/2" x 16 1/2" x 18 1/32"
Capacity (cu. ft.)	2.0
Power Output (Watts)	1,200
Power Levels	10
Sensor Cooking	•
Auto Cook	•
Auto Defrost	•
Add-1-Minute Timer	•
Timer	•
Interior Lights	2
Turntable	•
General Features	
Flush Fit Design	•
Door Handle	Metal
Power Rating (kW) @ 240V / 208V	5.4 / 4.0
Bake / Broil @ 240V (Watts)	
Lower Oven	2,300 / 3,400
Breaker / Copper Wire Size (240V)	30 / 10
Shipping Weight (Approx. Lbs.)	215
Warranty	
1-Year Limited Warranty – Entire Appliance	Parts & Labor

If used for other than private family purposes, warranty applies for only 90 days.

\*Sabbath Mode overrides auto oven shutoff

\*\*Stainless model has stainless door



## Free Manuals Download Website

<http://myh66.com>

<http://usermanuals.us>

<http://www.somanuals.com>

<http://www.4manuals.cc>

<http://www.manual-lib.com>

<http://www.404manual.com>

<http://www.luxmanual.com>

<http://aubethermostatmanual.com>

Golf course search by state

<http://golfingnear.com>

Email search by domain

<http://emailbydomain.com>

Auto manuals search

<http://auto.somanuals.com>

TV manuals search

<http://tv.somanuals.com>