



## **BOTTOM FREEZER REFRIGERATOR**

Use & Care Guide - 2

## **CONGELADOR INFERIOR REFRIGERADOR**

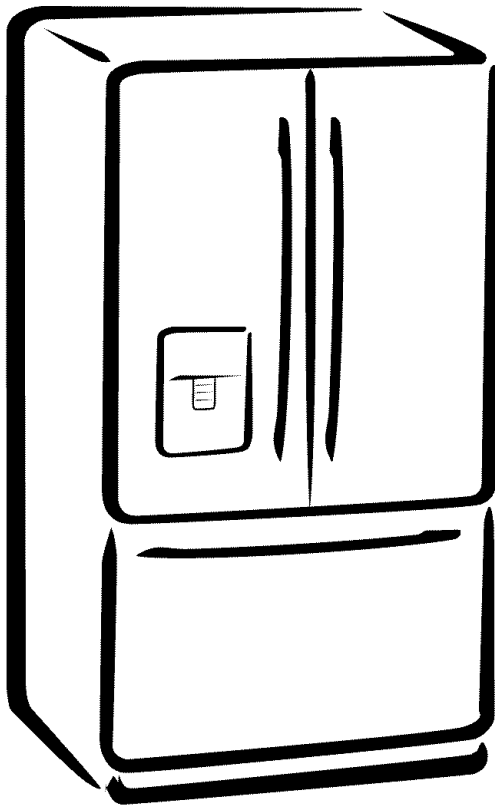
Guía para el Uso y Cuidado - 38

## **CONGÉLATEUR INFÉRIEUR RÉFRIGÉRATEUR**

Guide d'Utilisation et d'Entretien - 74

**Models / Modelos / Modèles 795.7756\*, 7757\***

\*= color number, número de color, numéro de couleur



 **trio**

# TABLE OF CONTENTS

<b>English Version</b>	<b>2</b>	Egg Box	23
<b>Spanish Version</b>	<b>38</b>	Dairy Bin	23
<b>French Version</b>	<b>74</b>	<b>► Freezer Section</b>	
<b>Warranty</b>	<b>3</b>	Tilting Door	24
<b>Protection Agreements</b>	<b>4</b>	Tilt-Out Door Basket	24
<b>Safety Instructions</b>	<b>5-6</b>	Ice Bin	24
<b>Grounding Requirements</b>	<b>6</b>	Durabase	25
<b>Parts and Features</b>	<b>7</b>	Durabase Divider	25
<b>Refrigerator Installation</b>	<b>8–15</b>	Pull Out Drawer	25
Unpacking Your Refrigerator	8	Filter	26
Installation	8	<b>Care And Cleaning</b>	<b>27–28</b>
Removing And Replacing Your Refrigerator Handles And Doors	9–12	General Cleaning Tips	27
How To Remove And Reinstall The Pullout Drawer	13-14	Outside	27
Leveling And Door Alignment	15	Inside Walls	27
Base Cover	15	Door Liner And Gaskets	27
<b>Using Your Refrigerator</b>	<b>16–26</b>	Plastic Parts	27
Setting The Controls	16	Condenser Coils	27
Ensuring Proper Air Circulation	16	Light Bulb Replacement	27–28
Using A Ice Room	17~18	Power Interruptions	28
Adjusting Control Settings	19	When You Go On Vacation	28
Food Storage Guide	19	When You Move	28
Storing Frozen Food	20	<b>About The Automatic Icemaker</b>	<b>29</b>
<b>► Refrigerator Section</b>		<b>Connecting The Water Line</b>	<b>30–32</b>
Water Dispenser	20	<b>Troubleshooting Guide</b>	<b>33–36</b>
Refrigerator Shelves	21		
Bottle Holder	21		
Snack Pan	22		
Suprafresh Cristers With Tilt-Out Compartment	22		
Crisper Humidity Control	22		
Crisper With Tilt-Out Feature	22		
Removing Crisper	22		
Crisper Cover With Lattice On Inner Surface	23		
Modular Door Bin	23		



## BOTTOM FREEZER REFRIGERATOR WARRANTY

### Kenmore Elite Appliance Warranty

#### One Year Limited Warranty

When installed, operated and maintained according to all instructions supplied with the product, if this appliance fails due to a defect in material or workmanship within one year from the date of purchase, call 1-800-4-MY-HOME® to arrange for free repair.

If this appliance is used for other than private family purposes, this warranty applies for only 90 days from the date of purchase.

#### Five Year Limited Warranty on Sealed Refrigeration System

For five years from the date of purchase, when this refrigerator is installed, operated, and maintained according to the instructions supplied with it, Sears will repair the sealed system (consisting of refrigerant, connecting tubing, and compressor), free of charge, if defective in material or workmanship.

#### This warranty covers only defects in material and workmanship. Sears will NOT pay for:

1. Expendable items that can wear out from normal use, including but not limited to filters, belts, light bulbs, and bags.
2. A service technician to instruct the user in correct product installation, operation or maintenance.
3. A service technician to clean or maintain this product.
4. Damage to or failure of this product if it is not installed, operated or maintained according to all instructions supplied with the product.
5. Damage to or failure of this product resulting from accident, abuse, misuse or use for other than its intended purpose.
6. Damage to or failure of this product caused by the use of detergents, cleaners, chemicals or utensils other than those recommended in all instructions supplied with the product.
7. Damage to or failure of parts or systems resulting from unauthorized modification made to this product.

#### Disclaimer of implied warranties; limitation of remedies

Customer's sole and exclusive remedy under this limited warranty shall be product repair as provided herein. Implied warranties, including warranties of merchantability or fitness for a particular purpose, are limited to one year or the shortest period allowed by law. Sears shall not be liable for incidental or consequential damages. Some states and provinces do not allow the exclusion or limitation of incidental or consequential damages, or limitations on the duration of implied warranties of merchantability or fitness, so these exclusions or limitations may not apply to you.

This warranty applies only while this appliance is used in the United States and Canada.

This warranty gives you specific legal rights, and you may also have other rights which vary from state to state.

**Sears, Roebuck and Co., Dept. 817WA, Hoffman Estates, IL 60179**

**Sears Canada, Inc., Toronto, Ontario, Canada M5B 2B8**

# PROTECTION AGREEMENTS

## In the U.S.A.

### Master Protection Agreements

*Congratulations on making a smart purchase. Your new Kenmore® product is designed and manufactured for years of dependable operation. But like all products, it may require preventive maintenance or repair from time to time. That's when having a Master Protection Agreement can save you money and aggravation.*

*Purchase a Master Protection Agreement now and protect yourself from unexpected hassle and expense.*

The Master Protection Agreement also helps extend the life of your new product. Here's what's included in the Agreement:

- ✓ **Expert service** by our 12,000 professional repair specialists
- ✓ **Unlimited service and no charge** for parts and labor on all covered repairs
- ✓ **"No-lemon" guarantee**—replacement of your covered product if four or more product failures occur within twelve months
- ✓ **Product replacement** if your covered product can't be fixed
- ✓ **Annual Preventive Maintenance Check** at your request—no extra charge
- ✓ **Fast help by phone**—phone support from a Sears technician on products requiring in-home repair, plus convenient repair scheduling
- ✓ **Power surge protection** against electrical damage due to power fluctuations
- ✓ **Rental reimbursement** if repair of your covered product takes longer than promised

Once you purchase the Agreement, a simple phone call is all that it takes for you to schedule service. You can call anytime day or night, or schedule a service appointment online.

Sears has over 12,000 professional repair specialists, who have access to over 4.5 million quality parts and accessories. That's the kind of professionalism you can

count on to help prolong the life of your new purchase for years to come. Purchase your Master Protection Agreement today!

**Some limitations and exclusions apply.**

**For prices and additional information call 1-800-827-6655.**

### Sears Installation Service

*For Sears professional installation of home appliances, garage door openers, water heaters, and other major home items, in the U.S.A. call 1-800-4-MY-HOME.®*

## In Canada

### Maintenance Agreements

Your purchase has added value because you can depend on Sears HomeCentral® for service. With over 2400 Service Technicians and more than a million parts and accessories, we have the tools, parts, knowledge and skills to back our pledge: We Service What We Sell.

Your Kenmore® product is designed, manufactured and tested to provide years of dependable operation. But like all products, it may require service from time to time. The Sears Maintenance Agreement offers you an outstanding service program, affordably priced.

#### The Sears Maintenance Agreement:

- Is your way to buy tomorrow's service at today's price
- Eliminates repair bills resulting from normal wear and tear
- Provides phone support from a Sears technician on products requiring in-home repair
- Even if you don't need repairs, provides an annual Preventive Maintenance Check, at your request, to ensure that your product is proper running condition

**Some limitations apply. For more information about Sears Canada Maintenance Agreements, call 1-800-361-6665**

# PRODUCT RECORD

In the space below, record the date of purchase, model and serial number of your product. You will find the model and serial number printed on an identification label located on the right-hand side of the refrigerator compartment. Have these items of information available whenever you contact Sears concerning your product.

Model No. \_\_\_\_\_

Date of Purchase \_\_\_\_\_

Serial No. \_\_\_\_\_

Dealer \_\_\_\_\_

Save these instructions and attach your sales receipt for future reference.

## IMPORTANT SAFETY INSTRUCTIONS

This guide contains many important safety messages. Always **read and obey** all safety messages.



This is the safety alert symbol. It alerts you to safety messages that inform you of hazards that can kill or hurt you or others, or cause damage to the product.

All safety messages will be preceded by the safety alert symbol and the hazard signal word DANGER, WARNING, CAUTION. These words mean:

 **DANGER**

You **will** be killed or seriously injured if you don't follow instructions.

 **WARNING**

You **can** be killed or seriously injured if you don't follow instructions.

 **CAUTION**

Indicates an imminently hazardous situation which, if not avoided, **may** result in minor or moderate injury, or product damage only.

All safety messages will identify the hazard, tell you how to reduce the chance of injury, and tell you what can happen if the instructions are not followed.

## WARNING

**To reduce the risk of fire, electric shock, or injury to persons when using your product, basic safety precautions should be followed, including the following.**

**Read all instructions before using this appliance.**

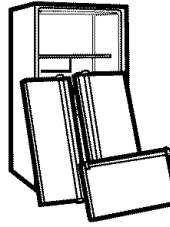
- NEVER unplug your refrigerator by pulling on the power cord. Always grip the plug firmly and pull it straight out from the outlet.
- Repair or replace immediately all electric service cords that have become frayed or otherwise damaged. Do not use a cord that shows cracks or abrasion damage along its length or at either the plug or connector end.
- When moving your refrigerator away from the wall, be careful not to roll over or damage the power cord.
- DO NOT store or use gasoline or other flammable vapors and liquids in the vicinity of this or any other appliance.
- DO NOT allow children to climb, stand, or hang on the refrigerator doors or shelves in the refrigerator. They could damage the refrigerator and seriously injure themselves.
- Keep fingers out of *pinch point* areas; clearances between the doors and cabinet are necessarily small. Be careful closing doors when children are in the area.
- Unplug your refrigerator before cleaning or making any repairs.  
**NOTE:** Service should be performed by a qualified technician.
- Before replacing a burned-out light bulb, **unplug** the refrigerator or turn off power at the circuit breaker or fuse box in order to avoid contact with a live wire filament. (A burned-out light bulb may break when being replaced.)  
**NOTE:** Setting either or both controls to the OFF position does not remove power to the light circuit.

- This refrigerator must be properly installed in accordance with the **Attention Installer Instructions** that were taped to the front of the refrigerator.
- After your refrigerator is in operation, do not touch the cold surfaces in the freezer compartment when hands are damp or wet. Skin may adhere to the extremely cold surfaces.
- In refrigerators with automatic icemakers, avoid contact with the moving parts of the ejector mechanism, or with the heating element that releases the cubes. **DO NOT** place fingers or hands on the automatic icemaking mechanism while the refrigerator is plugged in.
- **DO NOT** refreeze frozen foods which have thawed completely. The United States Department of Agriculture in Home and Garden Bulletin No. 69 says:  
...You may safely refreeze frozen foods that have thawed if they still contain ice crystals or if they are still cold—below 40°F (4°C).  
...Thawed ground meats, poultry or fish that have any off-odor or off-color should not be refrozen and should not be eaten. Thawed ice cream should be discarded. If the odor or color of any food is poor or questionable, dispose of it. The food may be dangerous to eat.  
Even partial thawing and refreezing reduces the eating quality of foods, particularly fruits, vegetables and prepared foods. The eating quality of red meats is affected less than that of many other foods. Use refrozen foods as soon as possible to save as much of their quality as you can.
- **Do not modify or extend the power cord length.** It will cause electric shock or fire.

## SAVE THESE INSTRUCTIONS

## **⚠ DANGER: RISK OF CHILD ENTRAPMENT**

Junked or abandoned refrigerators are dangerous... even if they will sit for just a few days. If you are depositing your old refrigerator, please follow the instructions at right to help prevent accidents.



### **BEFORE YOU THROW AWAY YOUR OLD REFRIGERATOR OR FREEZER**

- Take off the doors.
- Leave the shelves in place so that children may not easily climb inside.

## **CFC DISPOSAL**

Your old refrigerator may have a cooling system that used CFCs (chlorofluorocarbons). CFCs are believed to harm stratospheric ozone.

If you are throwing away your old refrigerator, make sure the CFC refrigerant is removed for proper disposal by a qualified servicer. If you intentionally release this CFC refrigerant, you can be subject to fines and imprisonment under provisions of environmental legislation.

## **GROUNDING REQUIREMENTS**

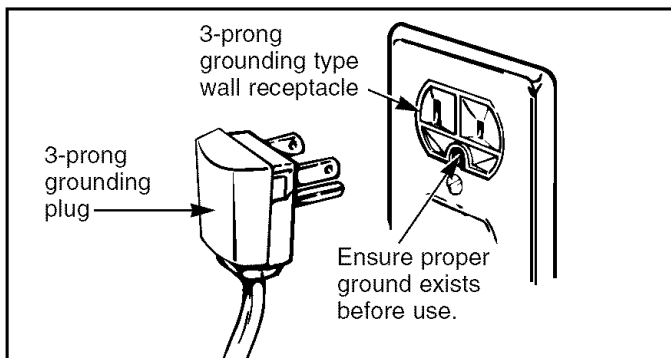
**IMPORTANT:** Please read carefully.

### **TO CONNECT ELECTRICITY**

#### **⚠ WARNING**

##### **Electrical Shock Hazard**

**FOR PERSONAL SAFETY**, this appliance must be properly grounded. Have the wall outlet and the circuit checked by a qualified electrician to make sure the outlet is properly grounded.



### **RECOMMENDED GROUNDING METHOD**

The refrigerator should always be plugged into its own individual properly grounded electrical outlet rated for 115 Volts, 60 Hz, AC only, and fused at 15 or 20 amperes. This provides the best performance and also prevents overloading house wiring circuits which could cause a fire hazard from overheated wires. It is recommended that a

separate circuit serving only this appliance be provided. Use a receptacle which cannot be turned off with a switch or pull chain. Do not use an extension cord.

Where a standard two-prong wall outlet is encountered, it is your personal responsibility and obligation to have it replaced with a properly grounded three-prong wall outlet.

**Do not, under any circumstances, cut or remove the third (ground) prong from the power cord.**

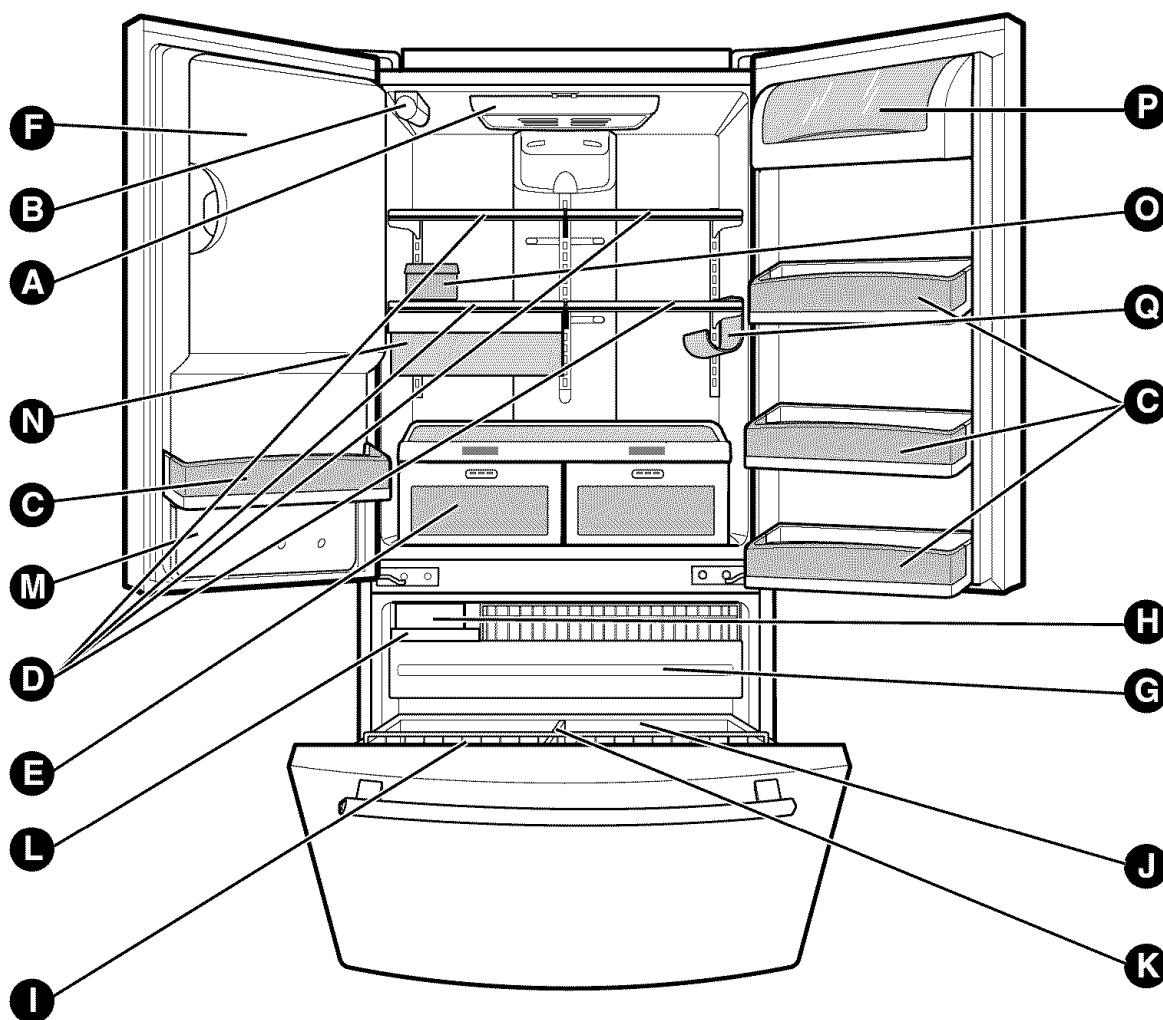
**NOTE:** Before performing any type of installation, cleaning, or removing a light bulb, turn the control (Thermostat, Refrigerator Control or Freezer Control, depending on the model) to OFF and then disconnect the refrigerator from the electrical source. When you are finished, reconnect the refrigerator to the electrical source and reset the control (Thermostat, Refrigerator Control or Freezer Control, depending on the model) to the desired setting.

### **USE OF EXTENSION CORDS**

**Because of potential safety hazards under certain conditions, we strongly recommend against the use of an extension cord.** However, if you still elect to use an extension cord, it is absolutely necessary that it be a UL-listed (USA), 3-wire grounding type appliance extension cord having a grounding type plug and outlet, and that the electrical rating of the cord be 15 amperes (minimum) and 120 volts.

Use of an extension cord will increase the clearance needed for the back of the refrigerator.

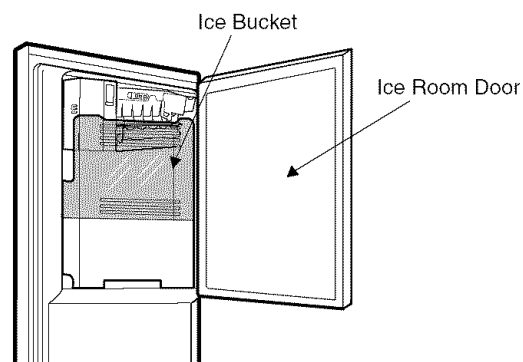
# PARTS AND FEATURES



Use this page to become more familiar with the parts and features. Page references are included for your convenience.

**NOTE:** This guide covers several different models. The refrigerator you have purchased may have some or all of the items listed below. The locations of the features shown below may not match your model.

- |  |  |
|--|--|
| <b>A</b> Refrigerator Light (p. 27)                            | <b>I</b> Tilt-Out Door Basket (p. 24)                    |
| <b>B</b> Filter (Inside) (p. 26)                               | <b>J</b> Durabase (p. 25)                                |
| <b>C</b> Modular Door Bins                                     | <b>K</b> Divider (p. 25)                                 |
| <b>D</b> Refrigerator Shelves (p. 21)                          | <b>L</b> Ice Bin (p. 24)                                 |
| <b>E</b> Supra Fresh Crisper with Tilt-Out Compartment (p. 22) | <b>M</b> Water Tank Cover                                |
| <b>F</b> Ice Room (p. 17)<br>(Ice Maker and Ice Bucket)        | <b>N</b> Snack Pan (p. 22)                               |
| <b>G</b> Pull out Drawer (p. 25)                               | <b>O</b> Egg Box (p. 23)                                 |
| <b>H</b> Turbo Motor   | <b>P</b> Dairy Bin (p. 23)                               |
|  | <b>Q</b> Bottle Holder (p. 21)<br>(795.7757* Model Only) |



# REFRIGERATOR INSTALLATION

## ⚠ WARNING

### Excessive Weight Hazard

Use two or more people to move and install refrigerator.

Failure to do so can result in back or other injury.

## UNPACKING YOUR REFRIGERATOR

Remove tape and any temporary labels from your refrigerator before using. Do not remove any warning-type labels, the model and serial number label, or the TechSheet that is attached to back wall of the refrigerator.

To remove any remaining tape or glue, rub the area briskly with your thumb. Tape or glue residue can also be easily removed by rubbing a small amount of liquid dish soap over the adhesive with your fingers. Wipe with warm water and dry.

Do not use sharp instruments, rubbing alcohol, flammable fluids, or abrasive cleaners to remove tape or glue. These products can damage the surface of your refrigerator. For more information, see the **Important Safety Instructions** section.

Refrigerator shelves are installed in the shipping position.

Please reinstall shelves according to your individual storage needs.

## ⚠ WARNING

### When Moving Your Refrigerator

Your refrigerator is heavy. When moving the refrigerator for cleaning or service, be sure to protect the floor. Always pull the refrigerator straight out when moving it. Do not wiggle or walk the refrigerator when trying to move it, as floor damage could occur.

## ⚠ WARNING



### Explosion Hazard

Keep flammable materials and vapors, such as gasoline, away from refrigerator.

Failure to do so can result in death, explosion, or fire.

## INSTALLATION

1. To avoid vibration, the unit must be level. If required, adjust the leveling legs to compensate for unevenness of the floor. The front should be slightly higher than the rear to aid in door closing. Leveling legs can be turned easily by tipping the cabinet slightly. Turn the leveling legs clockwise (➡) to raise the unit, counterclockwise (⬅) to lower it.
2. Install this appliance in an area where the temperature is between 55°F (13°C) and 110°F (43°C.) If the temperature around the appliance is too low or high, cooling ability may be adversely affected.
3. Allow the clearance of at least 2 inch from the ceiling and 1 inch from the side walls for better cooling efficiency, ease of installation, proper air circulation and electrical connections.

**⚠ CAUTION:** Avoid placing the unit near heat sources, direct sunlight or moisture.

## NEXT

1. Clean your refrigerator thoroughly and wipe off all dust accumulated during shipping.
2. Install accessories such as ice cube bin, drawers, shelves, etc., in their proper places. They are packed together to prevent possible damage during shipment.
3. Let your refrigerator run for at least 2 or 3 hours before putting food in it. Check the flow of cold air in the freezer compartment to ensure proper cooling. Your refrigerator is now ready for use.

## ⚠ WARNING

- Be careful when you work with hinge, base grille, stopper etc. You may be injured.
- Do not put hands or foot or metal sticks into air vents, base grille, or bottom of refrigerator. You may be injured or receive an electrical shock.



# REFRIGERATOR INSTALLATION

## HOW TO REMOVE DOOR HANDLES

To move refrigerator through a house door, it may be necessary to remove the refrigerator door handles.

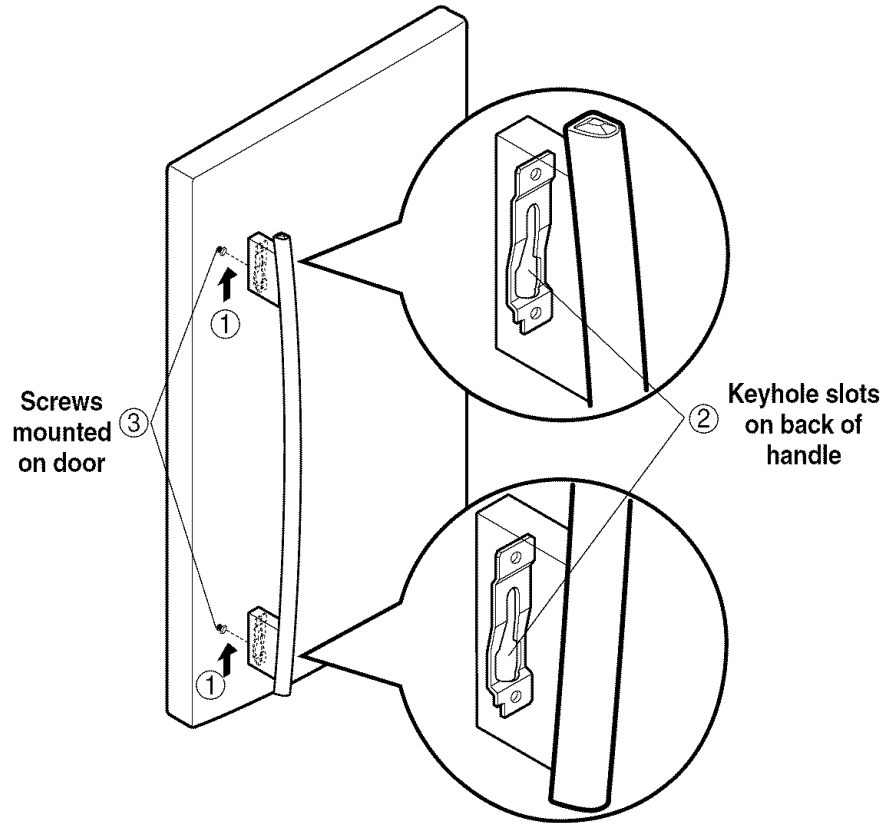
**NOTE:** Handle appearance may vary from illustrations on this page.

### 1. Removing Refrigerator Handle

- Grasp the handle tightly with both hands and slide the handle up (1) (this may require some force).
- The keyhole slots (2) on the back of the handle allow the handle to separate from the mounting screws (3).

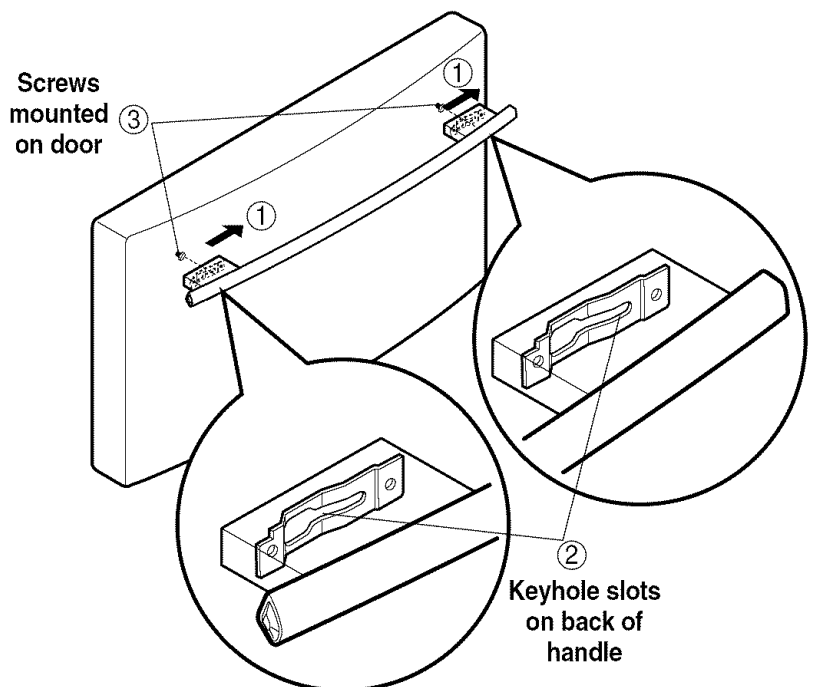
**⚠ CAUTION:** The handle could be damaged if you hit it with a hammer while removing or attaching.

**⚠ CAUTION:** When you assemble or disassemble handle, you must push or pull with reasonable force.



### 2. Removing Freezer Drawer Handle

- Press the handle against door first.
- Grasp the handle tightly with both hands and slide the handle to right (1) (this may require some force).
- The keyhole slots (2) on the back of the handle allow the handle to separate from the mounting screws (3).

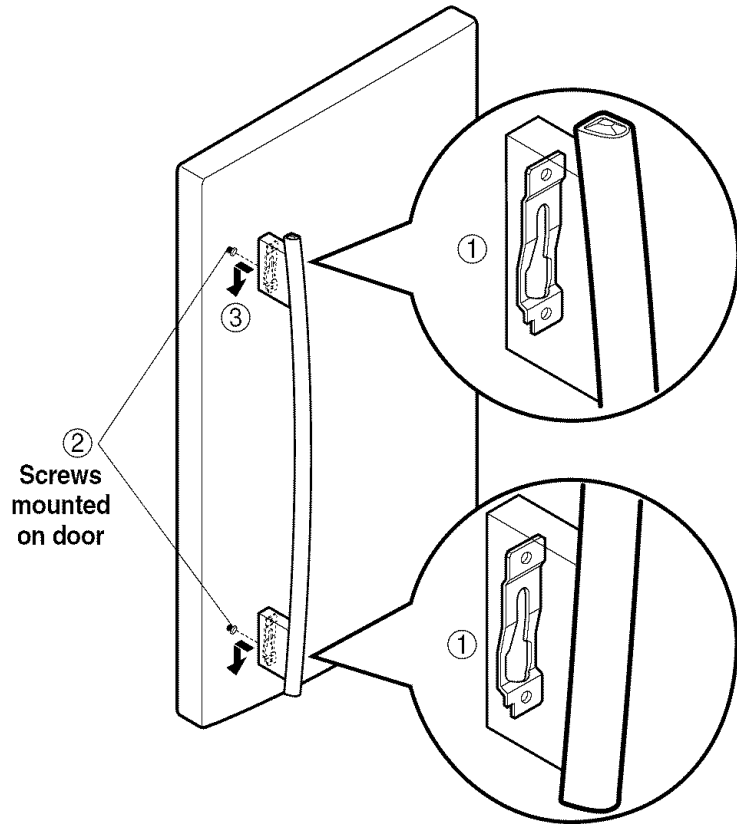


## HOW TO REPLACE DOOR HANDLES

**NOTE:** Handle appearance may vary from illustrations on this page.

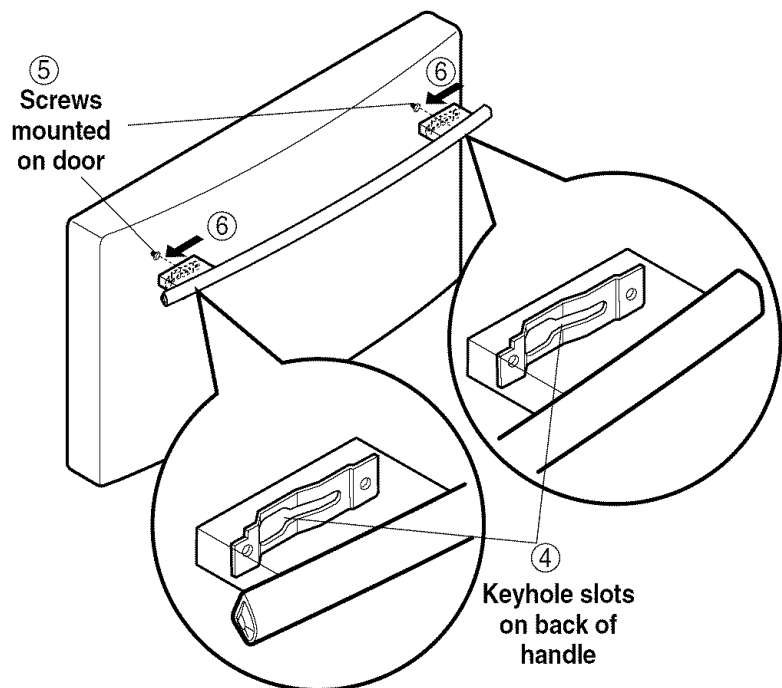
### 1. Reinstalling the Refrigerator Door Handle

- Align keyhole slots (1) on the top and bottom of the back of the handle with the screws (2) mounted on the front of the door.
- Press the handle against the door front, making sure that the screws (2) go into the keyhole slots (1).
- Holding the handle with both hands, press it firmly against the front of the door and slide the handle down (3).



### 2. Reinstalling the Freezer Drawer Handle

- Align keyhole slots (4) on the right and left sides of the back of the handle with the screws (5) mounted on the front of the drawer.
- Press the handle against the drawer front, making sure that the screws (5) go into the keyhole slots (4).
- Holding the handle with both hands, press it firmly against the front of the drawer and slide the handle to the left (6).



# REFRIGERATOR INSTALLATION

## REMOVING AND REPLACING REFRIGERATOR DOORS

### 1. Removing Refrigerator Door

**▲ CAUTION:** Before you begin, unplug the refrigerator. Remove food and bins from doors.

#### ► Left Door - FIG.2

1. Disconnect water supply tube by pushing back on the disconnect ring (4). - FIG.1
2. Open door. Loosen top hinge cover screw (1).  
Use flat tip screwdriver to pry back hooks on front underside of cover (3). Lift up cover.
3. Disconnect door switch wire harness (2). Remove cover.
4. Pull out the tube.
5. Disconnect the three wire harnesses (5). Remove the grounding screw (6).
6. Rotate hinge lever (7) counterclockwise and remove. Lift top hinge (8) free of hinge lever latch (9).

**▲ CAUTION:** When lifting hinge free of latch, be careful that door does not fall forward.

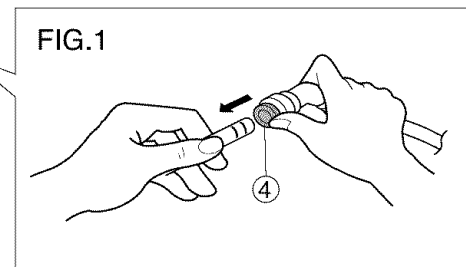
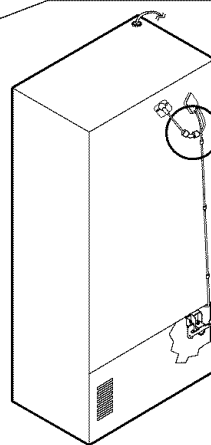
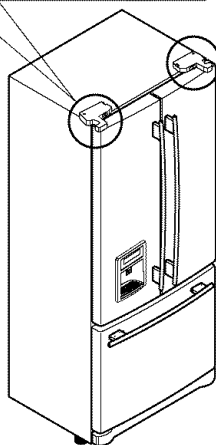
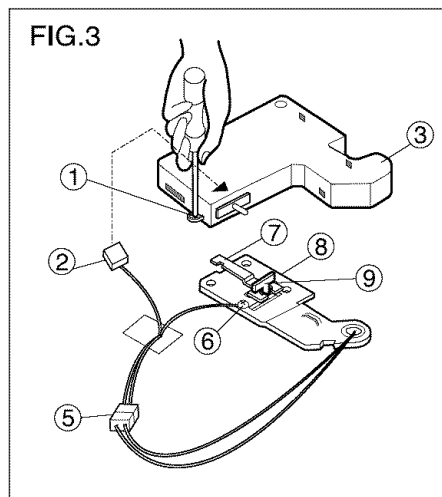
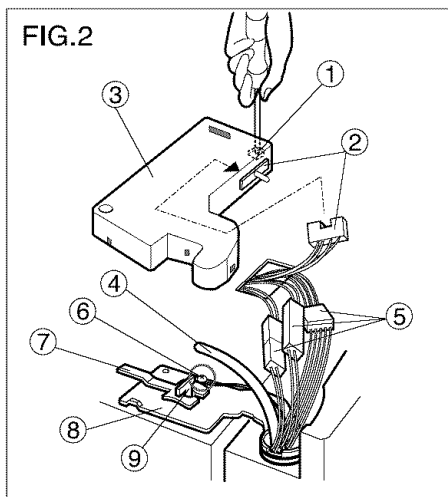
7. Lift door up from middle hinge pin and remove door.
8. Place door, inside facing up, down onto a non-scratching surface.

#### ► Right Door - FIG.3

1. Open door. Loosen top hinge cover screw (1). Lift up cover (3).
2. Disconnect door switch wire harness (2). Remove cover.
3. Disconnect wire harness (5). Remove the grounding screw (6).
4. Rotate hinge lever (7) clockwise and remove. Lift top hinge (8) free of hinge lever latch (9).

**▲ CAUTION:** When lifting hinge free of latch, be careful that door does not fall forward.

5. Lift door up from middle hinge pin (10) and remove door.
6. Place door, inside facing up, down onto a non-scratching surface.



# REFRIGERATOR INSTALLATION

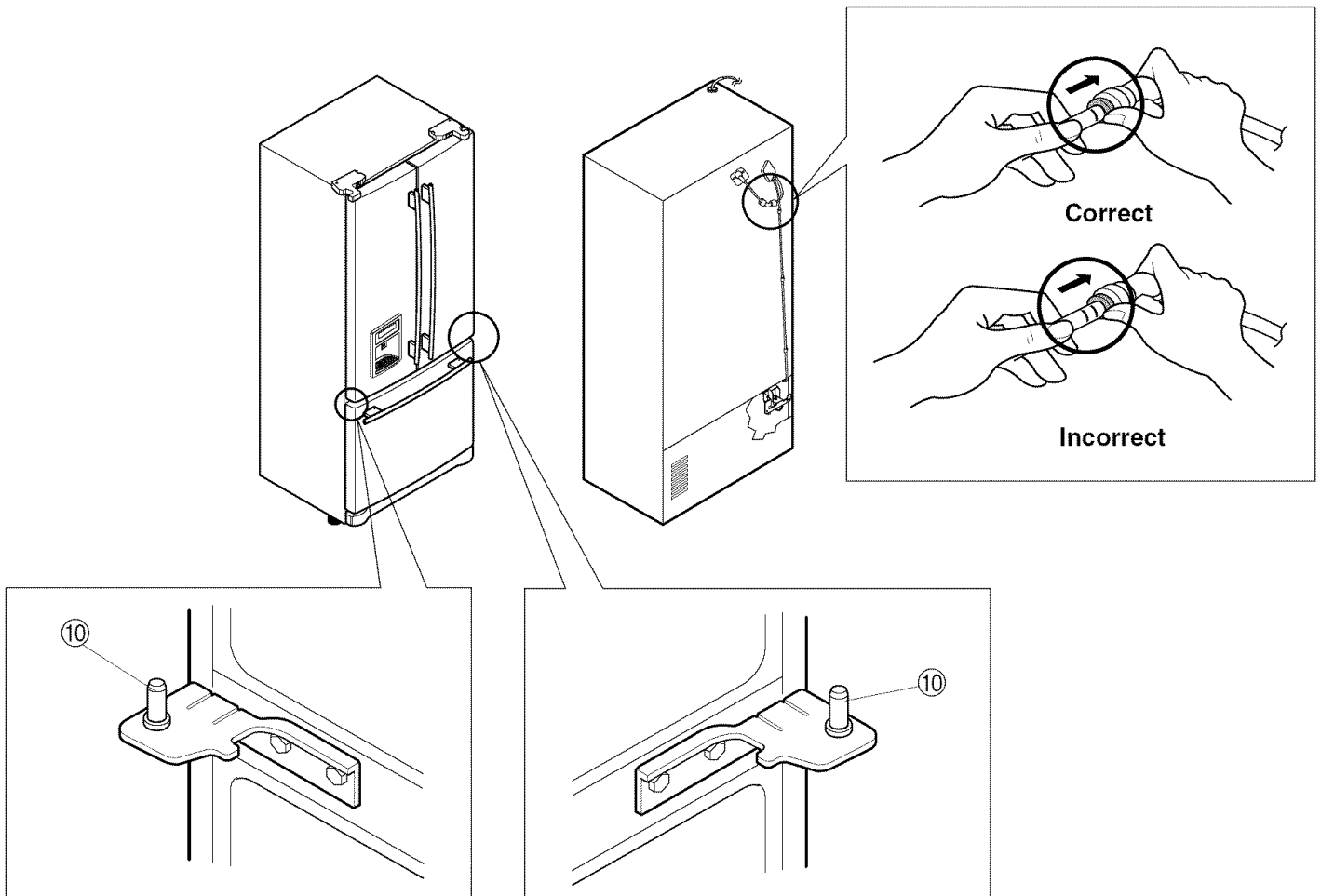
## 2. Reinstalling the Refrigerator Door

### ► Right Door

1. Lower the door onto middle hinge pin (10).
2. Fit top hinge (8) over hinge lever latch (9) and into place. Insert hinge lever (7) under lever latch. Rotate lever counterclockwise to secure hinge.
3. Install the grounding screw (6) and connect the three wire harnesses (5).
4. Connect door switch wire harness (2).
5. Hook tab on door switch side of cover under edge of wire opening in cabinet top. Position cover (3) into place. Insert and tighten cover screw (1).

### ► Left Door

1. Lower the door onto middle hinge pin (10).
2. Fit top hinge (8) over hinge lever latch (9) and into place. Insert hinge lever (7) under lever latch. Rotate lever clockwise to secure hinge.
3. Install the grounding screw (6) and connect the three wire harnesses (5).
4. Connect door switch wire harness (2). Push the water supply tube into the hall on the top case and pull it out on the backplate.
5. Insert the water supply tube (4) into the connector tube until you see only one scale mark. (Fully insert the tube over 5/8" (15mm)).
6. Hook tab on door switch side of cover (3) under edge of wire opening in cabinet top. Position cover into place. Insert and tighten cover screw (1).



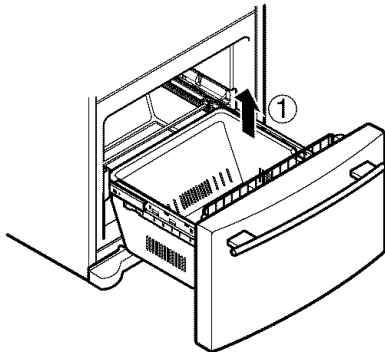
# REFRIGERATOR INSTALLATION

## HOW TO REMOVE AND INSTALL THE PULLOUT DRAWER

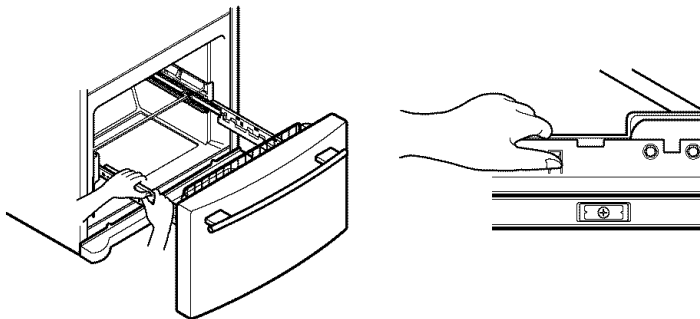
**IMPORTANT:** To avoid possible injury or product or property damage, you will need two people to perform the following instructions.

### 1. Removing Pullout Drawer

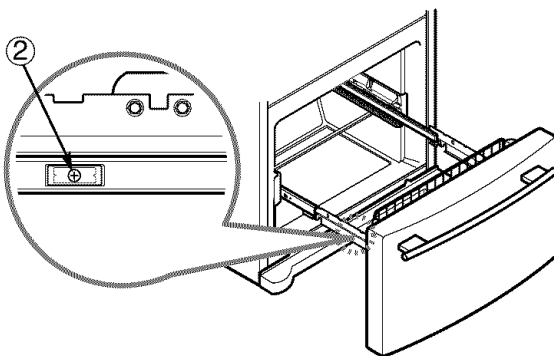
- Pull the drawer open to full extension. Remove the lower basket (1) by lifting basket from rail system. (If you tilt the door, it will be easier.)



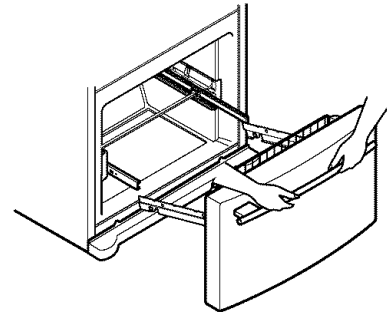
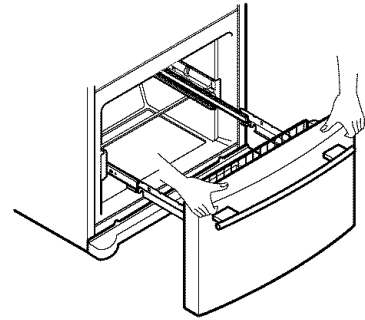
- Press both hangers with your thumbs to lift it up.
- Separate the left and right rail cover



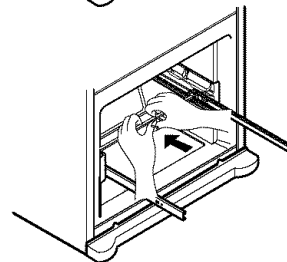
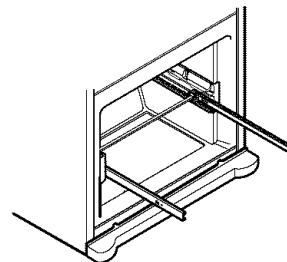
- Remove the screws(2) of the rail on both sides.



- With both hands, hold both sides of the door and pull it up to separate it from the rails.



- With both hands, hold the center bar and push it in to let both rails fitted simultaneously.



**▲ CAUTION:** When you remove the drawer, do not hold the handle. If it may come off and it could cause personal injury.

**▲ CAUTION:** When laying the drawer down, be careful not to damage the floor or hurt your feet by the sharp edges on hinge side.

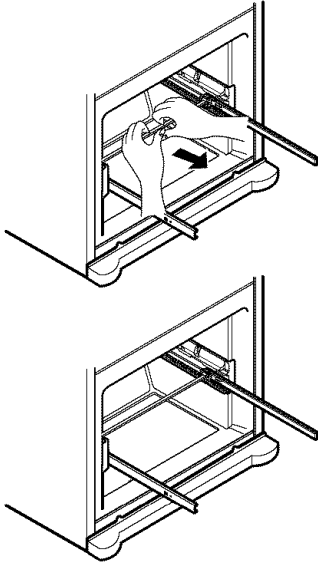
# REFRIGERATOR INSTALLATION

## HOW TO REMOVE AND INSTALL THE PULLOUT DRAWER

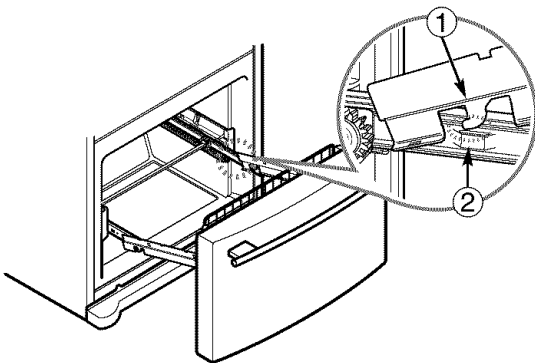
**IMPORTANT:** To avoid possible injury or product or property damage, you will need two people to perform the following instructions.

### 2. Installing Pullout Drawer

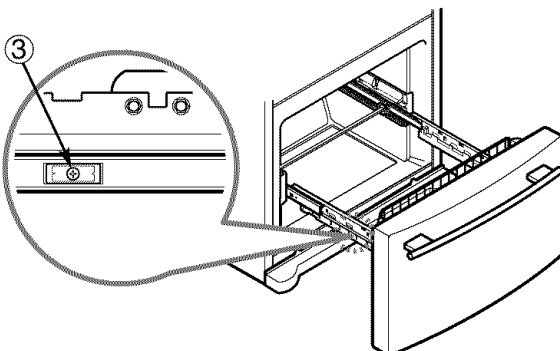
- With both hands, hold the center bar and push it out to let both rails out to full extension simultaneously.



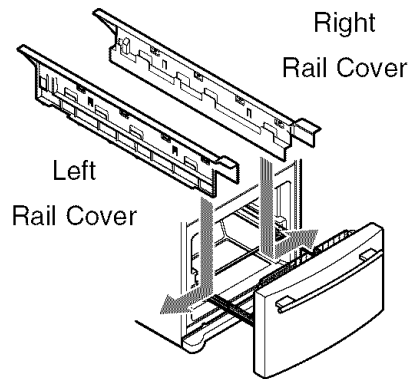
- Hook door supports (1) into rail tabs (2).



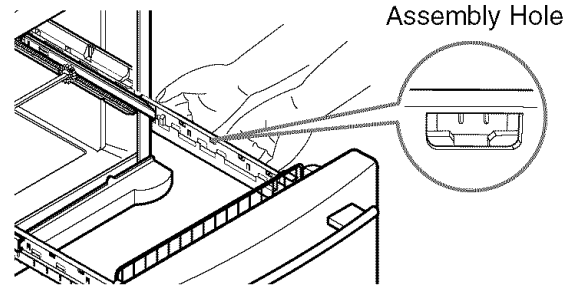
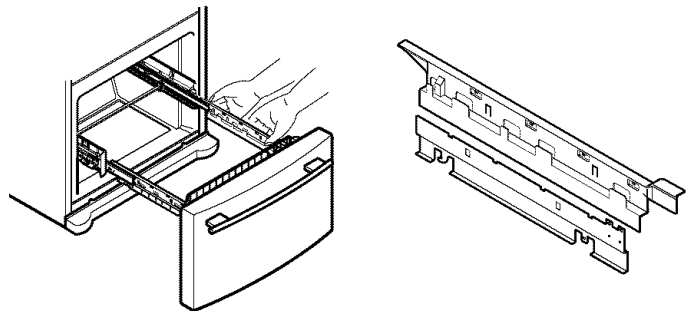
- Lower door into final position and tighten the screws (3).



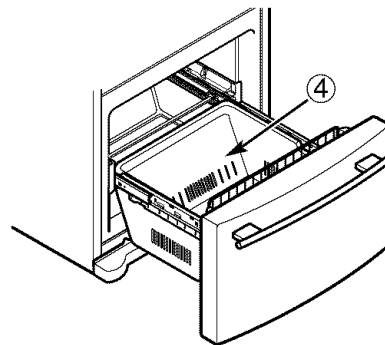
- Make sure you have a right rail cover for each side.



- Align the top holes of the rail cover with the top holes of the door supports to assemble the rail covers.



- With the drawer pulled out to full extension, insert the lower basket (4) in the rail assembly.



**▲ WARNING:** To prevent accidental child and pet entrapment or suffocation risk. DO NOT allow them to play inside of drawer.

**▲ WARNING:** DO NOT step or sit down on freezer door.

# REFRIGERATOR INSTALLATION

## LEVELING AND DOOR ALIGNMENT

### Leveling

Your refrigerator has two front leveling legs—one on the right and one on the left. Adjust legs to alter tilt from front-to-back or side-to-side. If your refrigerator seems unsteady or you want the doors to close easier, adjust the refrigerator's tilt using the instructions below:

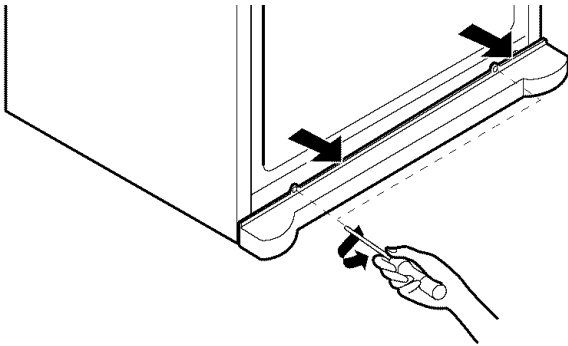
1. Plug the refrigerator's power cord into a 3-prong grounded outlet. Move the refrigerator into its final position. Remove the base cover.

#### To remove the base cover

1. Open the Freezer Drawer. (Drawer not shown for clarity.)
2. Once drawer is open there is sufficient clearance to remove screws on top of cover.

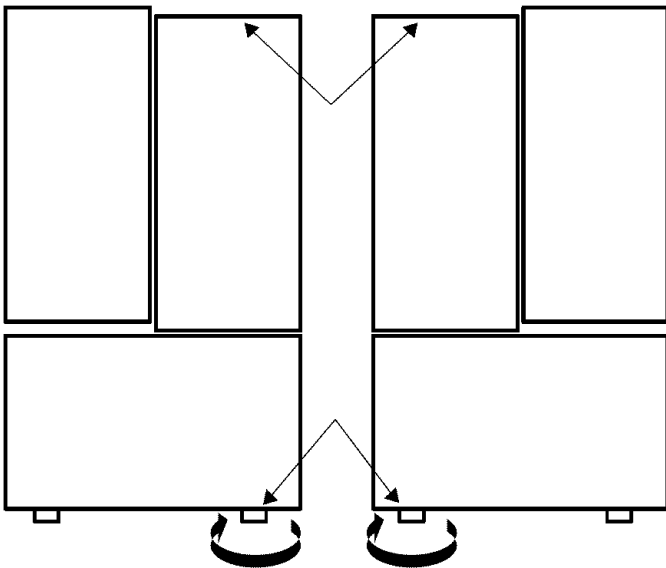
#### To replace base cover

- Place cover into position and insert and tighten legs.



2. Turn the leveling leg clockwise to raise that side of the refrigerator or counterclockwise to lower it. It may take several turns of the leveling leg to adjust the tilt of the refrigerator.

**NOTE:** Having someone push backward against the top of the refrigerator takes some weight off the leveling legs. This makes it easier to adjust the legs.



3. Open both doors again and check to make sure that they close easily. If not, tilt the refrigerator slightly more to the rear by turning both leveling legs clockwise. It may take several more turns, and you should turn both leveling legs the same amount.

4. Re-adjust if necessary.

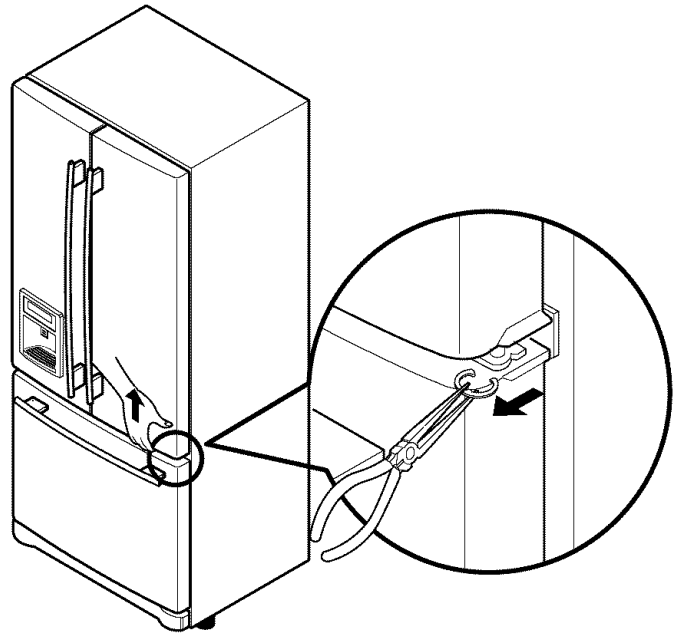
5. Replace the base cover.

**NOTE:** Your new refrigerator is uniquely designed with two fresh food doors. Either door can be opened or closed independently of one another. You may have to exert slight pressure on doors to get them to close completely.

### Door Alignment

If the space between your doors is uneven, follow the instructions below to align the doors:

1. With one hand, lift up the door you want to raise at middle hinge.
2. With other hand, use pliers to insert snap ring as shown.
3. Insert additional snap rings until the doors are aligned. (Three snap rings are provided with the refrigerator.)

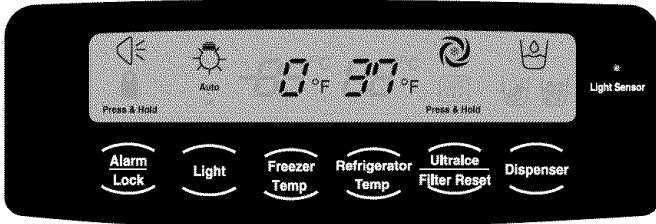


# USING YOUR REFRIGERATOR

## SETTING THE CONTROLS

### Temperature

- Your refrigerator has a control pad on the dispenser that lets you regulate the temperature in the freezer and refrigerator compartments.
- Initially set the refrigerator control at 37°F (3°C) and the freezer control at 0°F (-18°C). Leave it at this setting for 24 hours (one day) to stabilize. Then adjust the compartment temperature as desired.



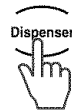
- Every time you touch the freezer temperature adjust button, the temperature changes in a circulating order of "0" → "1" → "2" → "3" → "4" → "6" → "8" → "6" → "5" → "4" → "3" → "2" → "1" → "0".
- Every time you touch the refrigerator temperature adjust button, the temperature changes in a circulating order of "37" → "36" → "35" → "34" → "33" → "46" → "45" → "44" → "43" → "42" → "41" → "40" → "39" → "38" → "37".

### Ultra Ice

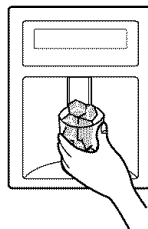
- When you touch the "Ultra Ice" button, the graphic [⊗] will light up in the display and it continues for 24 hours. It will automatically shut off after 24 hours have passed. Or you can stop this function manually by touching the button one more time.
- This function increases both icemaking and freezing capabilities.

### Dispenser

- You can select water, crushed ice, or cubed ice by touching the Dispenser button as you desire.



- There could be some dripping after dispensing. It is recommended to hold your cup for a couple of seconds after dispensing.



**NOTE :** The dispenser is designed not to operate while either refrigerator door is left open.

### Filter

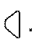
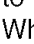
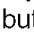
- Filter Reset : When the FILTER RESET icon turns on, you have to change the water filter. Press the FILTER RESET button for 3 seconds to turn the icon off. You need to change the water filter approximately every 6 months.

**▲ WARNING:** If a door is open, the dispenser does not work.


### Light / Light Sensor

- If the light is set "Auto" mode, dispenser light will automatically turn on and off according to the brightness of room detected by light sensor.

### Alarm

- When the power is connected to the refrigerator, door alarm is initially set off and door alarm display will show . When you touch the Alarm Lock button, the display will change to  and door alarm function is now activated.
- When either refrigerator or the freezer door is left open for more than 60 seconds, the alarm will ding to let you know the door is open.
- When you close the door, the door alarm will stop dinging.
- If you want to disable the door alarm function, touch the Alarm Lock button then the door alarm display will switched to .

### Lock

- When the power is initially connected to the refrigerator, Lock function is off.
- If you want to activate Lock function to lock other buttons, press and hold the Alarm Lock button for 3 seconds or more.  sign will be displayed and the Lock function is now enabled.
- No buttons other than the Alarm Lock button will work even including dispenser button while Lock function is enabled.
- To disable the Lock function, press and hold the Alarm Lock button for 3 seconds or more.

### Temperature Mode Switch Function(°F <->°C)

- If you want to convert °F to °C or vice versa, press and hold the Freezer Temp button and the Refrigerator Temp button simultaneously for 5 seconds or more.

## ENSURING PROPER AIR CIRCULATION

Do not block air channels with any objects or food for air circulation to prevent food loss due to the lack of cooling air.



# USING YOUR REFRIGERATOR

## ⚠ CAUTIONS

**Throw away the first 20 ice cubes made, and the first 7 glass of dispensed water after installation.**  
This is also recommended if the refrigerator has not been used for a long time.

**Keep children away from the dispenser.**

Children may play with or damage the controls.

**Storing cans or other items in the ice bucket may damage the icemaker.**

**Never use thin crystal glass or crockery to collect ice cubes.**

Such glasses or containers may be broken.

**Get ice cubes first into a glass before dispensing water.**

Water may splash if it is done in opposite way..

**Keep your hands and tools out of the ice room door and dispenser chute..**

You could break something or injure yourself.

**Shake the ice bucket occasionally to level the ice in it.**

Sometimes the ice piles up near the icemaker, causing the icemaker to misread the amount of ice cubes and stop producing ice.

**Never use narrow or deep glass.**

Ice could be stuck inside dispenser chute and, thus the refrigerator could fail.

**Keep the glass at a proper distance from dispenser chute.**

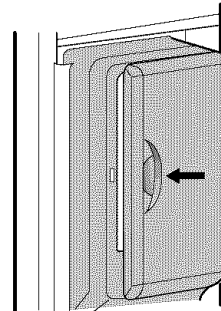
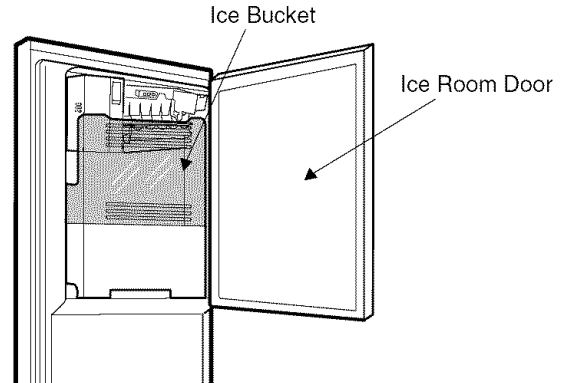
A glass too close to the outlet may hinder ice from coming out.

**Keep the ice room door closed tightly after opening it.**

If the ice room door were not closed tightly, the cold air in the ice room would come into refrigerator compartment and freeze food. This could cause the ice maker not to produce ice.

**Close the ice room door until you hear the sound "flick".**

When the door doesn't properly close, ice in the ice room could be melt, or frost and icicle could be formed within the refrigerator.

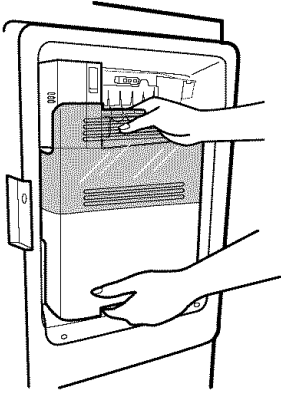


# USING YOUR REFRIGERATOR

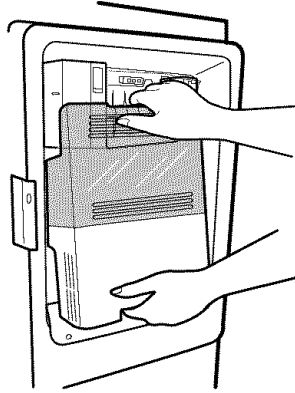
## HOW TO USE A NEW DOOR ICE BUCKET

The ice maker will stop producing ice when ice bucket is full. If you need more ice, please use the extra ice bucket in freezer compartment so icemaker can keep producing ice.

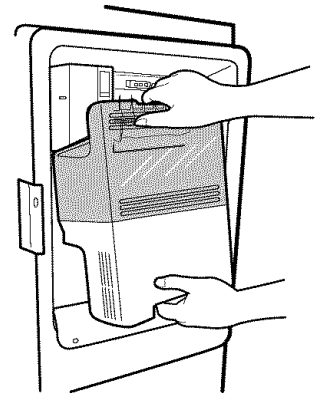
### How to remove the Door Ice Bucket.



1 . Grip the handle as shown in the picture

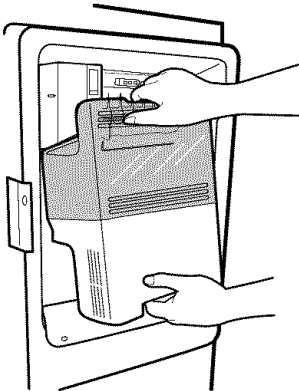


2. Lift the lower part slightly.

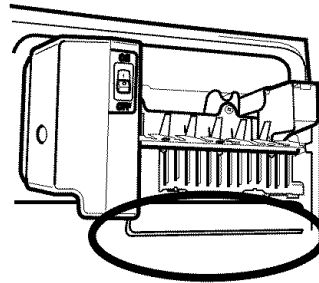


3. Take the ice bucket out slowly.

### How to reinstall the Door Ice Bucket.



1 . Replace ice bucket by slightly slanting it to avoid touching the ice maker.



\* Avoid touching the automatic shut off arm when replacing the ice bucket.

# USING YOUR REFRIGERATOR

## ADJUSTING CONTROL SETTINGS

Give the refrigerator time to cool down completely before making final adjustments. It is best to wait 24 hours before doing this. The mid-settings indicated in the previous section should be correct for normal household refrigerator usage. The controls are set correctly when milk or juice is as cold as you like and when ice cream is firm.

The refrigerator control functions as the thermostat for the entire appliance (refrigerator and freezer sections). The higher the number setting, the longer the compressor will run to keep the temperature colder. The freezer control adjusts the cold air flow from the freezer to the refrigerator. Setting the freezer control to a lower temperature keeps more cold air in the Freezer compartment to make it colder.

If you need to adjust temperatures in the refrigerator or freezer, start by adjusting the refrigerator. Then wait 24 hours before checking the freezer temperature. If it is too warm or too cold, then adjust the freezer control.

Use the settings listed in the chart below as a guide. **Always remember to wait at least 24 hours between adjustments.**

CONDITION/ REASON:	RECOMMENDED ADJUSTMENT:
<ul style="list-style-type: none"> <li>■ REFRIGERATOR section too warm</li> <li>– Door opened often</li> <li>– Large amount of food added</li> <li>– Room temperature very warm</li> </ul>	Set REFRIGERATOR control to next lower number, wait 24 hours, then re-check
<ul style="list-style-type: none"> <li>■ FREEZER section too warm/ice not made fast enough</li> <li>– Door opened often</li> <li>– Large amount of food added</li> <li>– Very cold room temperature (can't cycle often enough)</li> <li>– Heavy ice usage</li> <li>– Air vents blocked by items</li> </ul>	Set FREEZER control to next lower number, wait 24 hours, then re-check  Move items out of airstream
<ul style="list-style-type: none"> <li>■ REFRIGERATOR section too cold</li> <li>– Controls not set correctly for your conditions</li> </ul>	Set REFRIGERATOR control to next higher number, wait 24 hours, then re-check
<ul style="list-style-type: none"> <li>■ FREEZER section too cold</li> <li>– Controls not set correctly for your conditions</li> </ul>	Set FREEZER control to next higher number, wait 24 hours, then re-check

## FOOD STORAGE GUIDE

Wrap or store food in the refrigerator in airtight and moisture-proof material unless otherwise noted. This prevents food odor and taste transfer throughout the refrigerator. For dated products, check date code to ensure freshness.

Items	How to
<b>Butter or margarine</b>	▶ Keep opened butter in a covered dish or closed compartment. When storing an extra supply, wrap in freezer packaging and freeze.
<b>Cheese</b>	▶ Store in the original wrapping until you are ready to use it. Once opened, rewrap tightly in plastic wrap or aluminum foil.
<b>Milk</b>	▶ Wipe milk cartons. For best storage, place milk on interior shelf, not on door shelf.
<b>Eggs</b>	▶ Store in original carton or Egg Box on interior shelf, not on door shelf.
<b>Fruit</b>	▶ Wash, let dry, and store in refrigerator in plastic bags or in the crisper. Do not wash or hull berries until you are ready to use them. Sort and keep berries in their original container in a crisper, or store in a loosely closed paper bag on a refrigerator shelf.
<b>Leafy vegetables</b>	▶ Remove store wrapping and trim or tear off bruised and discolored areas. Wash in cold water and drain. Place in plastic bag or plastic container and store in crisper.
<b>Vegetables with skins (carrots, peppers)</b>	▶ Place in plastic bags or plastic container and store in crisper.
<b>Fish</b>	▶ Use fresh fish and shellfish the same day purchased.
<b>Leftovers</b>	▶ Cover leftovers with plastic wrap or aluminum foil. Plastic containers with tight lids can also be used.

# USING YOUR REFRIGERATOR

## STORING FROZEN FOOD

**NOTE:** For further information about preparing food for freezing or food storage times, check a freezer guide or a reliable cookbook.

### Packaging

Successful freezing depends on correct packaging. When you close and seal the package, it must not allow air or moisture in or out. If it does, you could have food odor and taste transfer throughout the refrigerator and also dry out frozen food.

### Packaging recommendations

- Rigid plastic containers with tight-fitting lids
- Straight-sided canning/freezing jars
- Heavy-duty aluminum foil
- Plastic-coated paper
- Non-permeable plastic wraps
- Specified freezer-grade self-sealing plastic bags

Follow package or container instructions for proper freezing methods.

### Do not use

- Bread wrappers
- Non-polyethylene plastic containers
- Containers without tight lids
- Wax paper or wax-coated freezer wrap
- Thin, semi-permeable wrap

**▲ CAUTION:** Do not keep beverage cans or plastic food containers in the freezer compartment. They may break if they freeze.

### Freezing

Your freezer will not quick-freeze any large quantity of food. Do not put more unfrozen food into the freezer than will freeze within 24 hours (no more than 2 to 3 lbs of food per cubic foot of freezer space). Leave enough space in the freezer for air to circulate around packages. Be careful to leave enough room at the front so the door can close tightly.

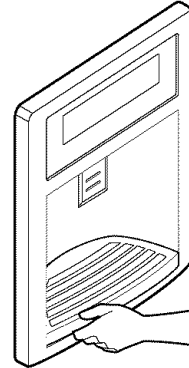
Storage times will vary according to the quality and type of food, the type of packaging or wrap used (airtight and moisture-proof) and the storage temperature. Ice crystals inside a sealed package are normal. This simply means that moisture in the food and air inside the package have condensed, creating ice crystals.

**NOTE:** Allow hot foods to cool at room temperature for 30 minutes, then package and freeze. Cooling hot foods before freezing saves energy.

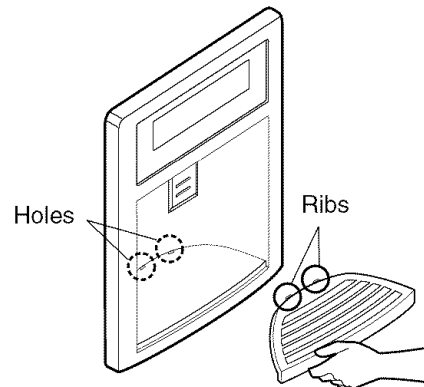
## REFRIGERATOR SECTION

### WATER DISPENSER

Tray can be easily removed by pressing and pulling it.



Tilt up the front of tray slightly and snap the ribs into the holes to reinstall the tray.



# USING YOUR REFRIGERATOR

## REFRIGERATOR SHELVES

The shelves in your refrigerator are adjustable to meet your individual storage needs. Your model may have glass or wire shelves.

Storing similar food items together in your refrigerator and adjusting the shelves to fit different heights of items will make finding the exact item you want easier; it will also reduce the amount of time the refrigerator door is open, saving energy.

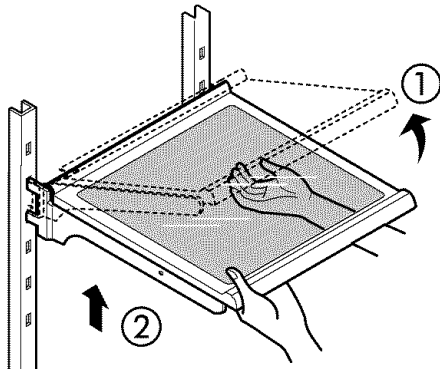
**IMPORTANT:** Do not clean glass shelves with warm water when they are cold. Shelves may break if exposed to sudden temperature changes or impact, such as bumping. For your protection, glass shelves are made with tempered glass, which will shatter into small pebble-sized pieces.

**NOTE:** Glass shelves are heavy. Use special care when removing them to avoid dropping them.

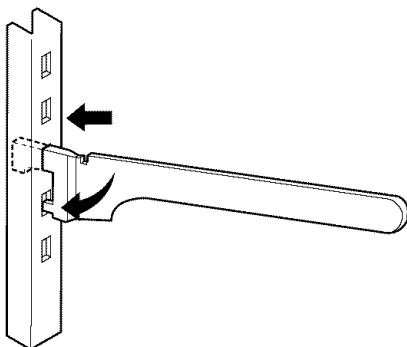
### Adjusting Shelves

Remove shelves from the shipping position and replace shelves in the position you want.

- **To remove a shelf**—Tilt up the front of the shelf in the direction of (1) and lift it in the direction of (2). Pull the shelf out.



- **To reinstall a shelf**—Tilt the front of the shelf up and guide the shelf hooks into the slots at a desired height. Then lower the front of the shelf so that the hooks drop into the slots.

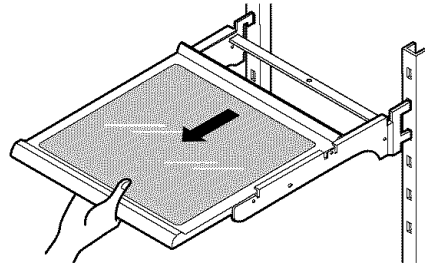


- ▲ **CAUTION:** Make sure that shelves are level from one side to the other. Failure to do so may result in the shelf falling or spilling food.

### Sliding Out Shelves

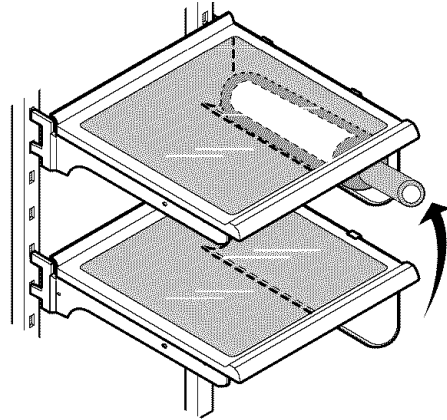
You can slide glass shelves in and out of your refrigerator as follows.

- **To slide the shelf out**, carefully pull front of shelf toward you.
- **To slide shelf in**, push shelf in until it stops.

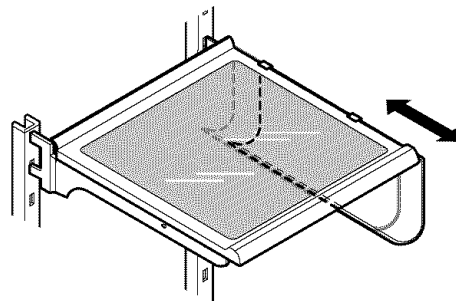


## BOTTLE HOLDER (795.7757\* Model Only)

Bottles can be stored laterally with this bottle holder. It can be attached to any shelf.



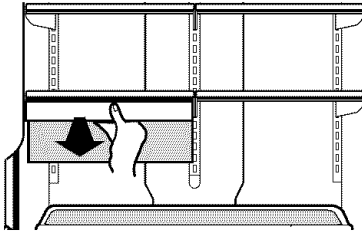
Bottle holder can be removed by pulling it straight out and installed by placing it at the end of the shelf you want and pushing it inward.



# USING YOUR REFRIGERATOR

## SNACK PAN

While holding the chef fresh with one hand, pull it forward slightly.

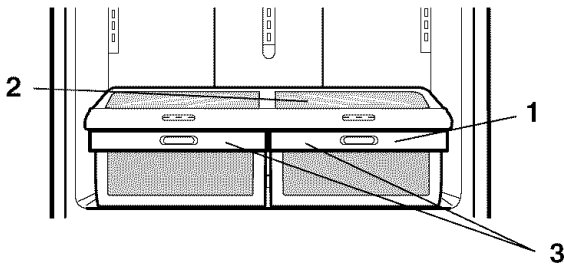


## SUPRAFRESH CRISPERS WITH TILT-OUT COMPARTMENT



### Crispers with Tilt-Out Compartment



The crispers provide fresher-tasting fruit and vegetables by letting you easily control humidity inside the drawer. The crispers include:

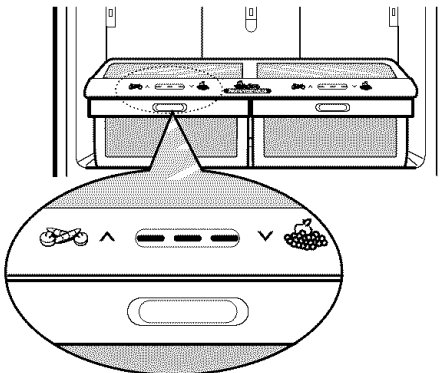
1. A crisper drawer humidity control switch.
2. A lattice on the underside of the cover to efficiently hold or release moisture.
3. A tilt-out compartment on the front of the crisper drawer.



## CRISPER HUMIDITY CONTROL

You can control the amount of humidity in the moisture-sealed crispers. Adjust the control to any setting between  ^ and  v .

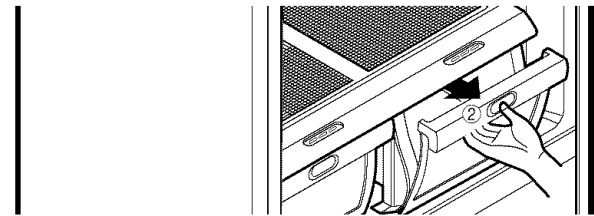
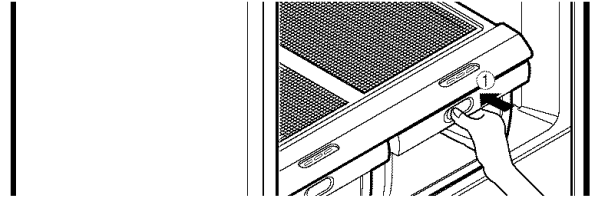
-  ^ keeps moist air in the crisper for best storage of fresh, leafy vegetables.
-  v lets moist air out of the crisper for best storage of fruits.



## CRISPER WITH TILT-OUT FEATURE

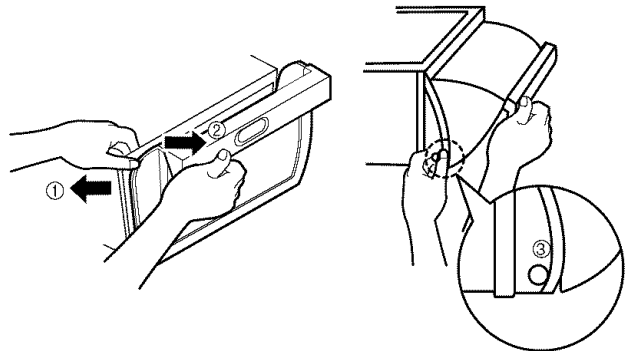
### Tilt-Out Compartment

The tilt-out compartment on the front of the crisper is for items stored best in low humidity such as apples and oranges. The front of the compartment is transparent to allow you to see compartment contents. Push the button on the front of the compartment to open it.



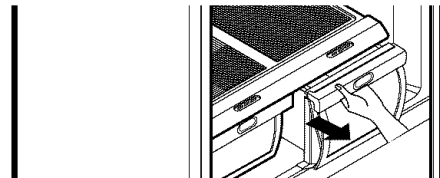
### To remove tilt-out compartment

1. Pull crisper drawer out to the stop.
2. Open the compartment.
3. Grasp side of drawer and pull outward to release tab at compartment base. Pull compartment toward you to remove.
4. To replace compartment, insert compartment base tab into one side of drawer. Pull slightly outward on opposite side of drawer to insert other base tab.



## REMOVING CRISPER

1. Slide drawer straight out to the stop.
2. Lift the front of the drawer, then pull it out to remove.
3. Replace the drawer by sliding it back in fully past the drawer stop.

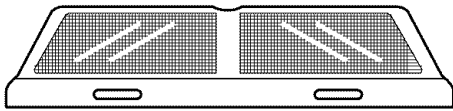


# USING YOUR REFRIGERATOR

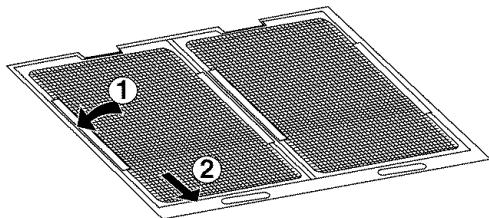
## CRISPER COVER WITH LATTICE ON INNER SURFACE

**WARNING:** Be careful when handling glass cover since glass is not attached to cover.

### To remove lattice

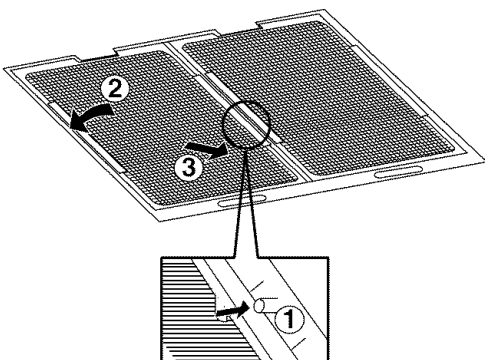


1. Be sure glass cover is removed.
2. Turn the cover frame over. Each lattice has its own frame within the cover frame.
3. Pull left and right sides of lattice frame outward to release lattice tabs from frame. Remove lattice.



### To replace lattice

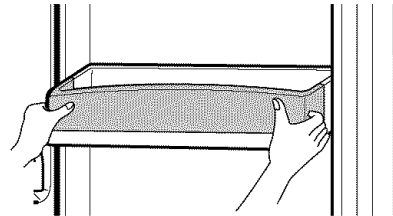
1. Pull sides of each lattice frame outward to re-insert tabs of lattice into frame.
2. Slide the cover frame back into refrigerator and securely onto frame support.
3. Place the glass cover back onto top of cover frame.



## MODULAR DOOR BIN

The door bins are removable for easy cleaning and adjusting.

1. To remove the bin, simply lift the bin up and pull straight out.
2. To replace the bin, slide it in above the desired support button and push down until it stops.



**▲ WARNING:** Somebody can be hurt if door bins are not firmly assembled.

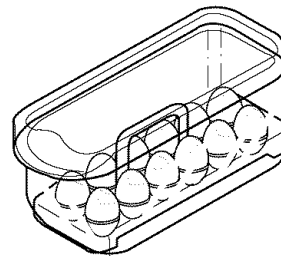
**▲ NOTE:** DO NOT adjust a bin that is loaded with food.

**▲ CAUTION:** DO NOT allow children to play with baskets. Sharp corners on baskets could cause injury.

## EGG BOX

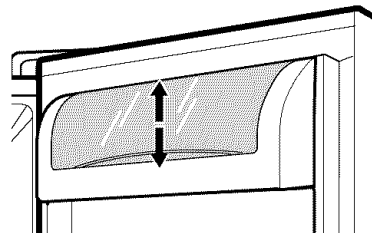
Store the egg box on interior shelf, not on door shelf.

**▲ CAUTION:** Do not use the egg box as an ice storage bin in the freezer compartment. The egg box can easily break if it freezes.



## DAIRY BIN

1. To remove the dairy bin, simply lift it and pull straight out.
2. To replace the dairy bin, slide it in above the desired location and push down until it stops.



# USING YOUR REFRIGERATOR

## FREEZER SECTION

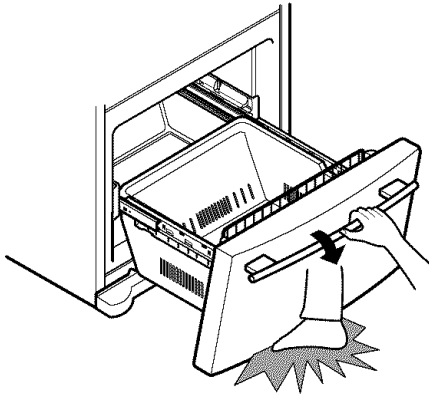
### TILTING DOOR

The tilting door provides easy access for stored foods.

#### How to use

Tilt the door down and pull it out.

**▲ WARNING:** Be careful when you open tilting door so that you do not injure your foot!



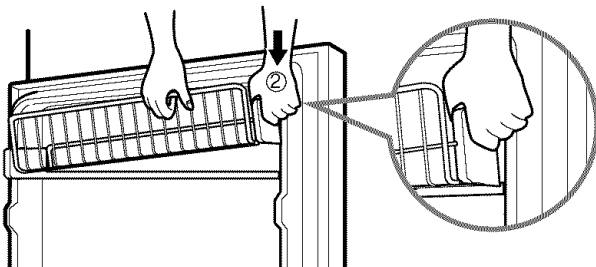
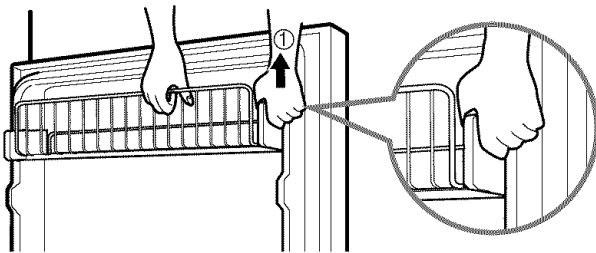
### TILT-OUT DOOR BASKET

#### To remove basket

1. Pull one of the brackets upward.
2. Remove basket from both brackets.

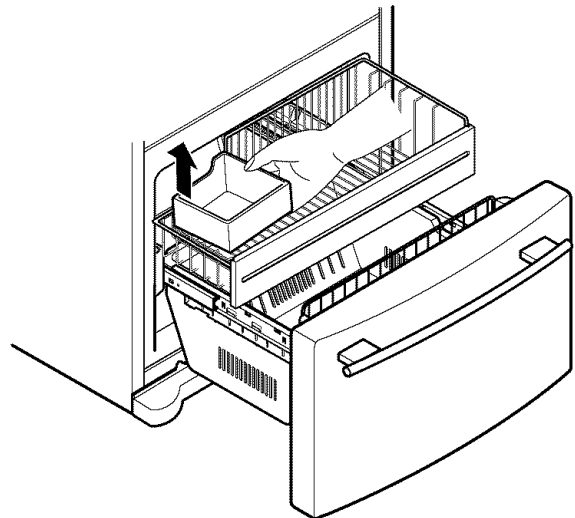
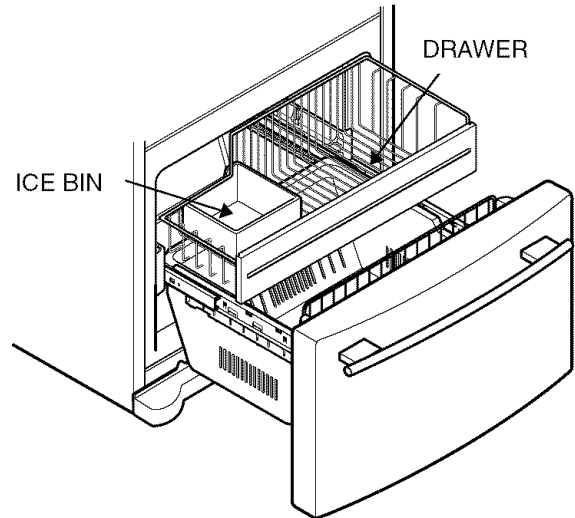
#### To replace basket

1. Insert bracket into one side. Hook end of basket into bracket.
2. Hook other basket end into other bracket. Push bracket down into place.
3. Be sure back of basket goes behind retention tab on each bracket.



### ICE BIN

1. To separate the ice bin, pull out the drawer as much as possible.
2. Gently lift and pull out the ice bin.
3. To install, pull out the drawer as much as possible and set the ice bin in its correct position, then push in the drawer.

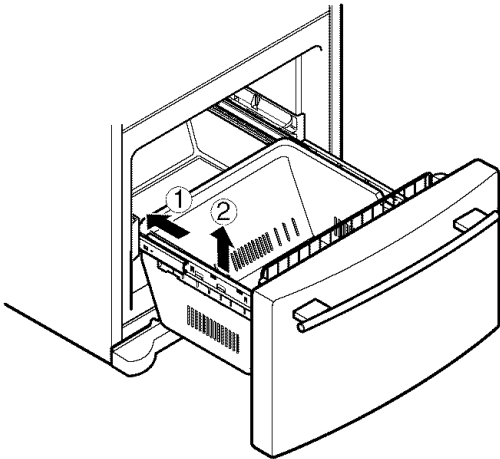




# USING YOUR REFRIGERATOR

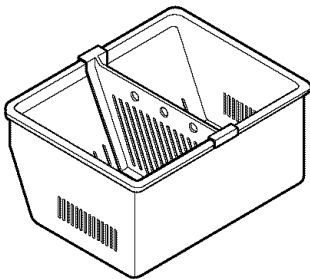
## DURABASE

1. To remove the Durabase, push it back to the end as much as possible. Tilt up the front of the Durabase and pull straight out.
2. To install, insert the Durabase in rail assembly.



## DURABASE DIVIDER

The Durabase divider allows you to organize the Durabase area into sections.



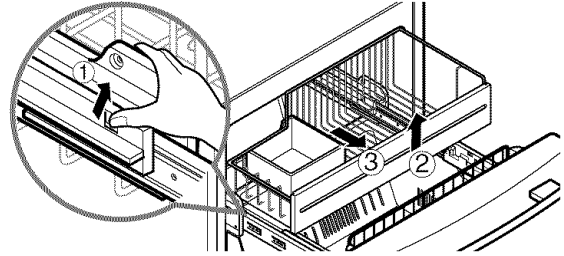
1. To remove, pull divider straight up.
2. To install, hook top corners of divider over top edge of durabase.

**⚠ WARNING:** When the divider of the freezer drawer is removed, children may crawl inside.

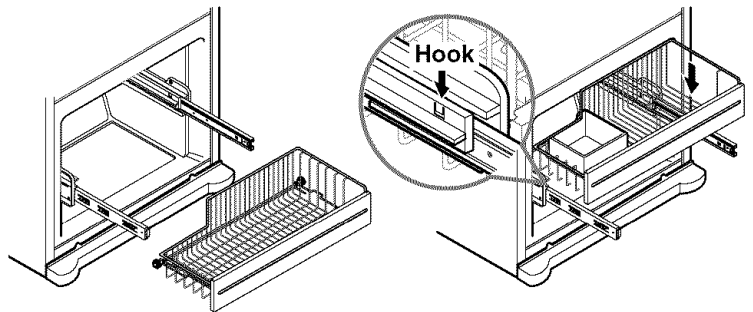
## PULL OUT DRAWER

To separate the drawer, push the front left and right hooks in ① direction to pull up and remove.

Then gently lift the gear part of rear left and right side of the drawer and pull it out in ③ direction.



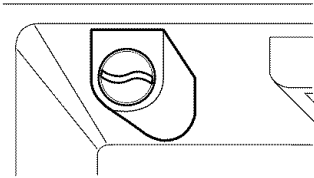
To install, reposition the gear part of rear left and right side of the drawer after pulling out both rails as much as possible, and gently push down both left and right side while checking the hook on the front part.



# USING YOUR REFRIGERATOR

## FILTER

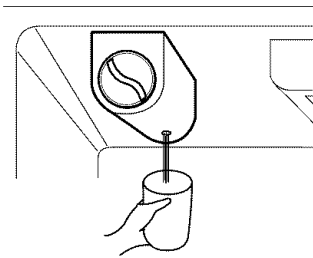
It is recommended that you replace the filter when the water filter indicator light turns on or your water dispenser or ice maker performance decreases noticeably.



After changing the water filter cartridge, reset the water filter status display and indicator light by pressing and holding the button for 3 seconds.

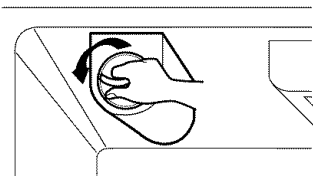
### 1. Remove the old cartridge.

Place a container under the hole of filter holder.

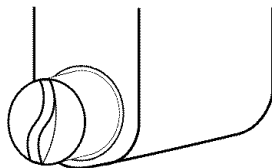


**NOTE:** When filter is being removed, the water drains through the hole.

Rotate the knob of the cartridge counter clockwise.



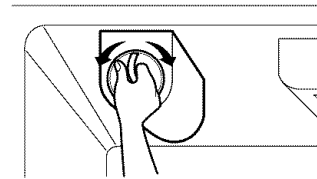
Pull out the filter cartridge.



### 2. Replace with a new cartridge.

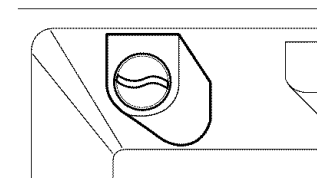
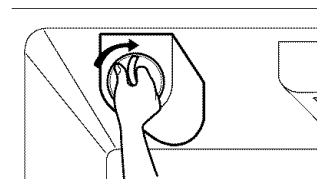
Take the new cartridge out of its packaging and remove protective cover from the o-rings.

With cartridge knob in the vertical position, push the new filter cartridge into the cover until it stops.



If you can't turn the filter from side to side, it isn't fully inserted. Push it in firmly and twist it into place. You will hear the snap when it clicks into place.

Using its handle, twist the cartridge clockwise about 1/4 turn. You will hear the snap when it clicks into place.



### 3. Flushing the Water System After Replacing Filter

Dispense water through the water dispenser for 3 minutes to purge the system.

**NOTE:** To purchase replacement water filter cartridges, call 1-800-4-MY-HOME®. Ask for part number 9990.

## CARE AND CLEANING

### ⚠ WARNING



#### Explosion Hazard

Use non-flammable cleaner.

Failure to do so can result in death, explosion, or fire.

Both the refrigerator and freezer sections defrost automatically. However, clean both sections about once a month to prevent odors. Wipe up spills immediately.

### GENERAL CLEANING TIPS

- Unplug refrigerator or disconnect power.
- Remove all removable parts, such as shelves, crispers, etc. Refer to sections in Using Your Refrigerator for removal instructions.
- Use a clean sponge or soft cloth and a mild detergent in warm water. Do not use abrasive or harsh cleaners.
- Hand wash, rinse and dry all surfaces thoroughly.
- Plug in refrigerator or reconnect power.

### OUTSIDE

Waxing external painted metal surfaces helps provide rust protection. Do not wax plastic parts. Wax painted metal surfaces at least twice a year using appliance wax (or auto paste wax). Apply wax with a clean, soft cloth.

For products with a stainless steel exterior, use a clean sponge or soft cloth and a mild detergent in warm water. Do not use abrasive or harsh cleaners. Dry thoroughly with a soft cloth.

### INSIDE WALLS (allow freezer to warm up so cloth won't stick)

To help remove odors, you can wash the inside of the refrigerator with a mixture of baking soda and warm water. Mix 2 tablespoons baking soda to 1 quart of water (26 g soda to 1 liter water.) Be sure the baking soda is completely dissolved so does it not scratch the surfaces of the refrigerator.

**⚠ CAUTION:** While cleaning the inside, do not spray water.

### DOOR LINERS AND GASKETS

Do not use cleaning waxes, concentrated detergents, bleaches, or cleaners containing petroleum on plastic refrigerator parts.

### PLASTIC PARTS (covers and panels)

Do not use window sprays, abrasive cleansers, or flammable fluids. These can scratch or damage the material.

## LIGHT BULB REPLACEMENT

### ⚠ WARNING

#### Electrical Shock Hazard

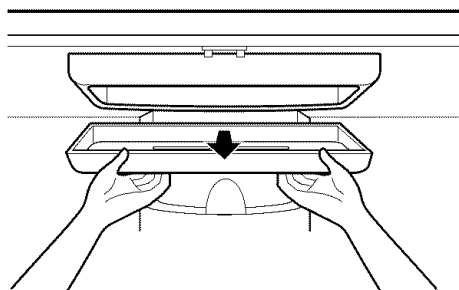
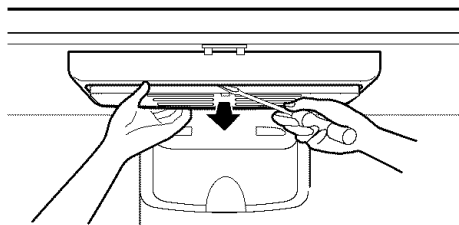
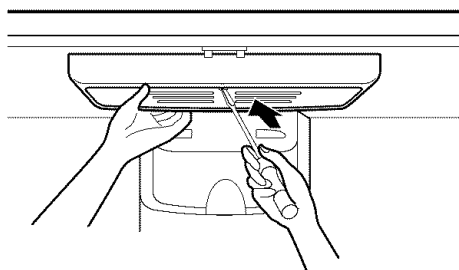
Before replacing a burned-out light bulb, either unplug the refrigerator or turn off power at the circuit breaker or fuse box.

**NOTE:** Moving the control to the OFF position does not remove power to the light circuit.

**NOTE:** Not all appliance bulbs will fit your refrigerator. Be sure to replace the bulb with one of the same size, shape and wattage.

#### To change Refrigerator Light Bulbs

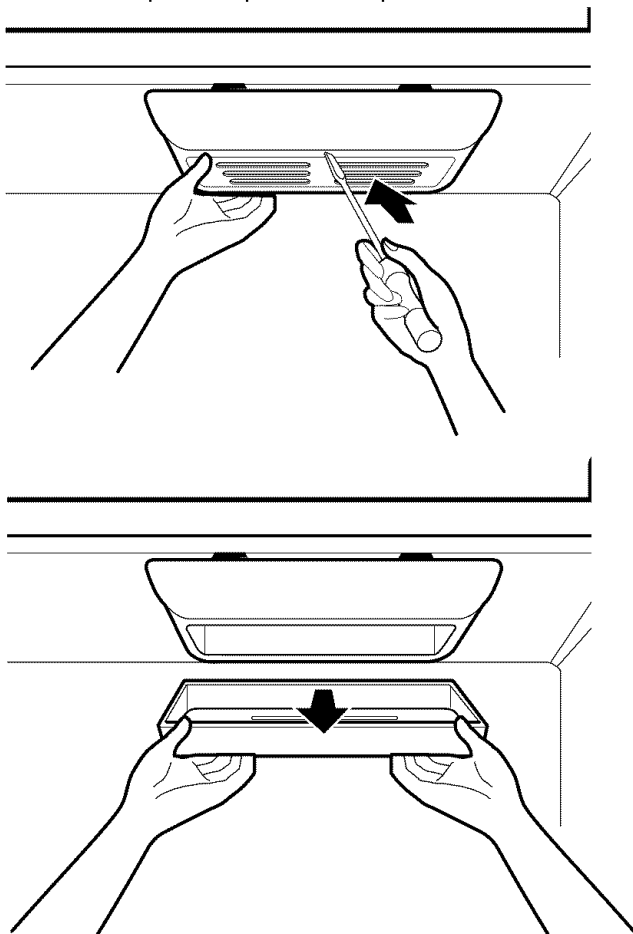
1. Unplug Refrigerator, or disconnect power at the circuit breaker.
2. If necessary, remove top shelf or shelves.
3. Using a flat instrument, gently pry the lamp cover loose in the front as shown. Rotate downward to remove rear tabs.
4. Make sure the bulbs are cool to the touch. Turn bulbs counterclockwise to remove. Insert new bulb(s).
5. Assemble in reverse order by snapping the Lamp Cover in, engaging the rear tabs followed by the front tabs.



## CARE AND CLEANING

### To change freezer light

1. Unplug refrigerator power cord from outlet.
2. Using a flat instrument, gently pry the lamp cover loose in the front as shown. Rotate downward to remove the rear tabs.
3. Make sure the bulb is cool to the touch. Turn the bulb counterclockwise to remove.
4. Replace with a new 60-watt appliance bulb.
5. Insert tabs on back of cover into slots in freezer ceiling. Push cover up to snap front into place.



**▲ CAUTION:** DO NOT place fingers inside of cover. Lamp may be hot.

### POWER INTERRUPTIONS

1. If the power will be out for 24 hours or less, keep all refrigerator doors closed to help foods stay cold and frozen.
2. If the power will be out for more than 24 hours:
  - a) Remove all frozen food and store it in a frozen food locker.

### WHEN YOU GO ON VACATION

If you choose to leave the refrigerator on while you are away, follow these steps to prepare your refrigerator before you leave.

1. Use up any perishables and freeze other items.
2. Empty the ice bin.

If you choose to turn the refrigerator off before you leave, follow these steps.

1. Remove all food from the refrigerator.
2. Depending on your model, set the thermostat control (refrigerator control) to OFF. See the **Setting the Controls** section.
3. Clean refrigerator, wipe it and dry well.
4. Tape rubber or wood blocks to the tops of both doors to prop them open far enough for air to get in. This stops odor and mold from building up.

### WHEN YOU MOVE

When you are moving your refrigerator to a new home, follow these steps to prepare it for the move.

1. Remove all food from the refrigerator and pack all frozen food in dry ice.
2. Depending on your model, turn the thermostat control (refrigerator control) to OFF. See the **Setting the Controls** section.
3. Unplug the refrigerator.
4. Clean, wipe and dry thoroughly.
5. Take out all removable parts, wrap them well and tape them together so they don't shift and rattle during the move. Refer to sections in Using your Refrigerator for removal instructions.
6. Depending on the model, raise the front of the refrigerator so it rolls more easily OR screw in the leveling legs all the way so they don't scrape the floor. See the **Door Closing** section.
7. Tape the doors shut and tape the power cord to the refrigerator cabinet.

When you get to your new home, put everything back and refer to the **Installing Your Refrigerator** section for preparation instructions.

## ABOUT THE AUTOMATIC ICEMAKER

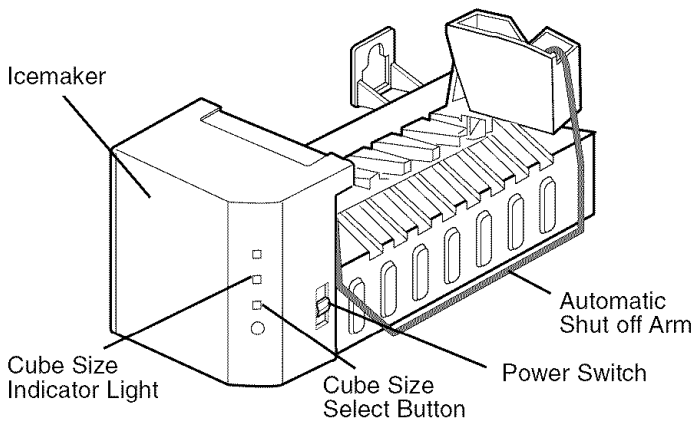
### **⚠ WARNING**

#### **Personal Injury Hazard**

Avoid contact with the moving parts of the ejector mechanism, or with the heating element that releases the cubes. **DO NOT** place fingers or hands on the automatic icemaking mechanism while the refrigerator is plugged in.

### OPERATION INSTRUCTIONS

**A newly-installed refrigerator may take 12 to 24 hours to begin making ice.**



The icemaker will produce six cubes per cycle—approximately 100–130 cubes in a 24-hour period, depending on freezer compartment temperature, room temperature, number of door openings and other operating conditions.

If the refrigerator is used before the water connection is made to the icemaker, set the power switch to **O (off)**.

When the refrigerator has been connected to the water supply, set the power switch to **I (on)**.

The icemaker will fill with water when it cools to freezing. A newly-installed refrigerator may take 12 to 24 hours to begin making ice cubes.

Throw away the first few batches of ice to allow the water line to clear.

Be sure nothing interferes with the sweep of the Automatic Shut off Arm.

When the bin fills to the level of the Automatic Shut off Arm, the icemaker will stop producing ice.

It is normal for several cubes to be stuck together.

If ice is not used frequently, old ice cubes will become cloudy, taste stale, and shrink.

**NOTE:** If the cube size is smaller or larger than you expected, you can regulate the size with the cube size button.

Every time you press the cube size button, the indicator moves up one light. The higher the light position, the larger the cubes will be. Pressing at the highest position returns the indicator to the lowest position.

### **WHEN YOU SHOULD SET THE ICEMAKER POWER SWITCH TO O (OFF)**

- When the water supply will be shut off for several hours.
- When the ice bin is removed for more than a minute or two.
- When the refrigerator will not be used for several days.

### **NORMAL SOUNDS YOU MAY HEAR**

**NOTE:** Keeping the power switch in the **I (on)** position before the water line is connected can damage the icemaker.

- You will hear the sound of cubes dropping into the bin and water running in the pipes as the icemaker refills.

### **PREPARING FOR VACATION**

### **⚠ WARNING**

- If you turn the ICE Maker off with ice in the Ice Bin, the ice can melt and leak onto the floor.
- When you turn off the ice maker due to a long vacation, empty all the ice within the ice bin.

# CONNECTING THE WATER LINE

## BEFORE YOU BEGIN

This water line installation is not warranted by the refrigerator or icemaker manufacturer. Follow these instructions carefully to minimize the risk of expensive water damage.

Water hammer (water banging in the pipes) in house plumbing can cause damage to refrigerator parts and lead to water leakage or flooding. Call a qualified plumber to correct water hammer before installing the water supply line to the refrigerator.

To prevent burns and product damage, do not hook up the water line to the hot water line.

If you use your refrigerator before connecting the water line, make sure the icemaker power switch is in the **O (off)** position.

Do not install the icemaker tubing in areas where temperatures fall below freezing.

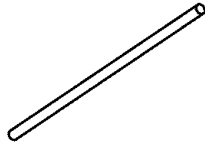
When using any electrical device (such as a power drill) during installation, be sure the device is double-insulated or grounded in a manner to prevent the hazard of electric shock, or is battery-powered.

All installations must be in accordance with local plumbing code requirements.

**NOTE:** Wear eye protection.

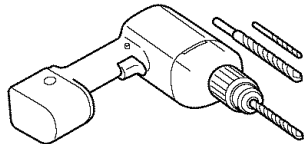
## WHAT YOU WILL NEED

- **Copper Tubing**, 1/4" outer diameter to connect the refrigerator to the water supply. Be sure both ends of the tubing are cut square.

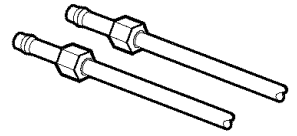


To determine how much tubing you need: measure the distance from the water valve on the back of the refrigerator to the water supply pipe. Then add 8 feet (2.4 m). Be sure there is sufficient extra tubing (about 8 feet [2.4 m] coiled into 3 turns of about 10" [25 cm] diameter) to allow the refrigerator to move out from the wall after installation.

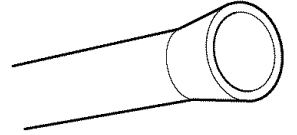
- **A cold water supply.** The water pressure must be between 20 and 120 p.s.i. on models without a water filter and between 40 and 120 p.s.i. on models with a water filter.
- **Power drill.**
- **1/2" or adjustable wrench.**
- **Straight- and Phillips-blade screwdriver.**



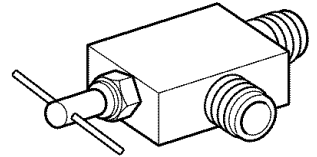
- **Two 1/4" outer diameter compression nuts and 2 ferrules (sleeves)** to connect the copper tubing to the shutoff valve and the refrigerator water valve.



- If your existing copper water line has a flared fitting at the end, you will need an **adapter** (available at plumbing supply stores) to connect the water line to the refrigerator OR you can cut off the flared fitting with a tube cutter and then use a compression fitting.



- **Shutoff valve to connect to the cold water line.** The shutoff valve should have a water inlet with a minimum inside diameter of 5/32" at the point of connection to the COLD WATER LINE. Saddle-type shutoff valves are included in many water supply kits. Before purchasing, make sure a saddle-type valve complies with your local plumbing codes.



## INSTALLATION INSTRUCTIONS

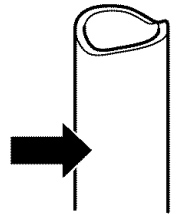
Install the shutoff valve on the nearest frequently used drinking water line.

### 1. SHUT OFF THE MAIN WATER SUPPLY

Turn on the nearest faucet to relieve the pressure on the line.

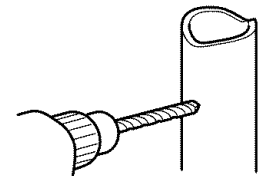
### 2. CHOOSE THE VALVE LOCATION

Choose a location for the valve that is easily accessible. It is best to connect into the side of a vertical water pipe. When it is necessary to connect into a horizontal water pipe, make the connection to the top or side, rather than at the bottom, to avoid drawing off any sediment from the water pipe.



### 3. DRILL THE HOLE FOR THE VALVE

Drill a 1/4" hole in the water pipe (even if using a self-piercing valve) using a sharp bit. Remove any burrs resulting from drilling the hole in the pipe. Take care not to allow water to drain into the drill. Failure to drill a 1/4" hole may result in reduced ice production or smaller cubes.

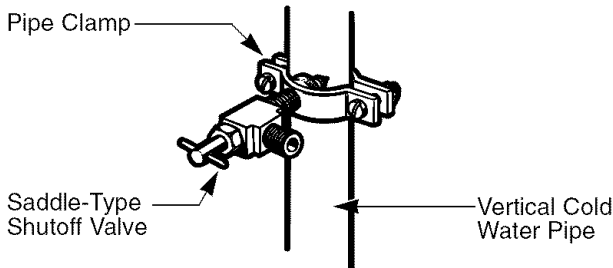


# CONNECTING THE WATER LINE

## INSTALLATION INSTRUCTIONS (CONTINUED)

### 4. FASTEN THE SHUTOFF VALVE

Fasten the shutoff valve to the cold water pipe with the pipe clamp.

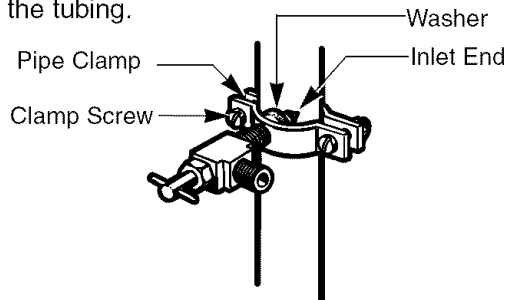


**NOTE:** Commonwealth of Massachusetts Plumbing Codes 248CMR shall be adhered to. Saddle valves are illegal and use is not permitted in Massachusetts. Consult with your licensed plumber.

### 5. TIGHTEN THE PIPE CLAMP

Tighten the clamp screws until the sealing washer begins to swell.

**NOTE:** Do not overtighten or you may crush the tubing.



### 6. ROUTE THE TUBING

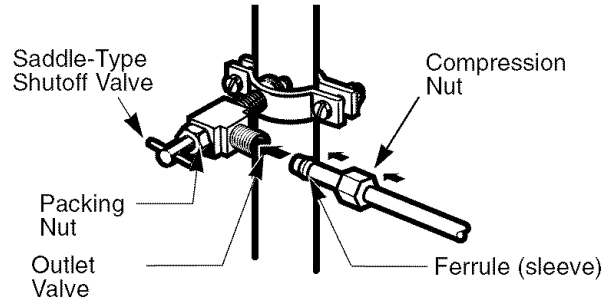
Route the tubing between the cold water line and the refrigerator.

Route the tubing through a hole drilled in the wall or floor (behind the refrigerator or adjacent base cabinet) as close to the wall as possible.

**NOTE:** Be sure there is sufficient extra tubing (about 8 feet coiled into 3 turns of about 10" diameter) to allow the refrigerator to move out from the wall after installation.

### 7. CONNECT THE TUBING TO THE VALVE

Place the compression nut and ferrule (sleeve) for copper tubing onto the end of the tubing and connect it to the shutoff valve. Make sure the tubing is fully inserted into the valve. Tighten the compression nut securely.

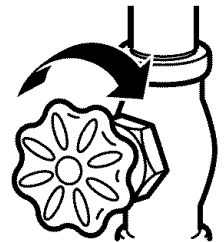


**NOTE:** Commonwealth of Massachusetts Plumbing Codes 248CMR shall be adhered to. Saddle valves are illegal and use is not permitted in Massachusetts. Consult with your licensed plumber.

### 8. FLUSH OUT THE TUBING

Turn the main water supply on and flush out the tubing until the water is clear.

Shut the water off at the water valve after about one quart of water has been flushed through the tubing.



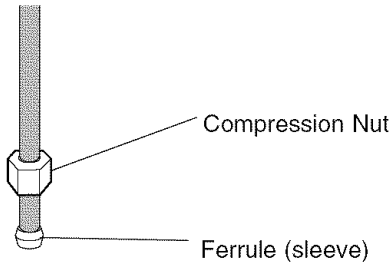
## CONNECTING THE WATER LINE

### 9. CONNECT THE TUBING TO THE REFRIGERATOR

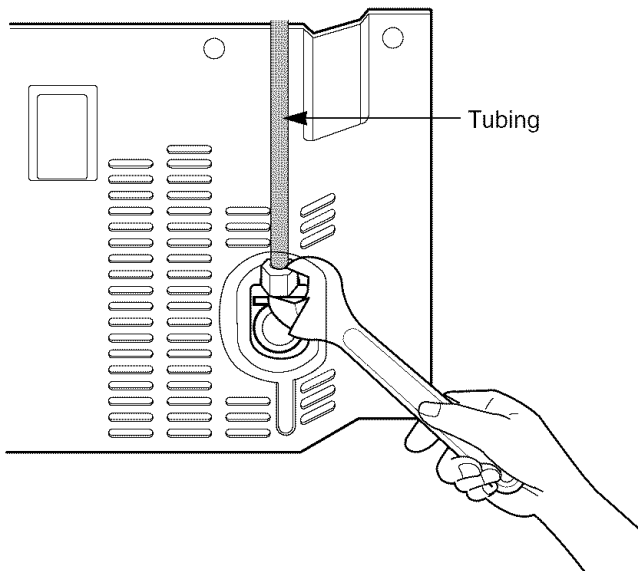
Removing and Replacing Valve Cover

#### NOTE:

- Before making the connection to the refrigerator, be sure the refrigerator power cord is not plugged into the wall outlet.
1. Place a compression nut and a ferrule(sleeve) onto the end of tubing.



2. Insert the tube into the valve and fasten with wrench as shown in the figure below.

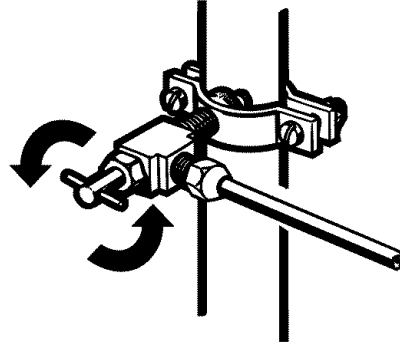


**⚠ CAUTION:** Check to see if water dripping occurs at water line connections.

### 10. TURN THE WATER ON AT THE SHUTOFF VALVE

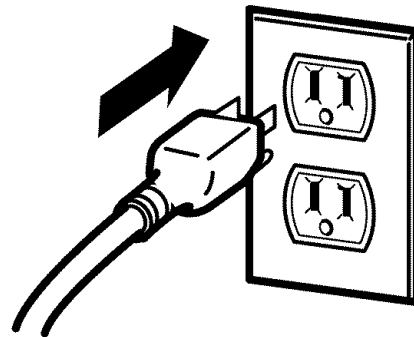
Tighten any connections that leak.

Reattach the compressor compartment access cover.



### 11. PLUG IN THE REFRIGERATOR

Arrange the coil of tubing so that it does not vibrate against the back of the refrigerator or against the wall. Push the refrigerator back to the wall.



### 12. START THE ICEMAKER

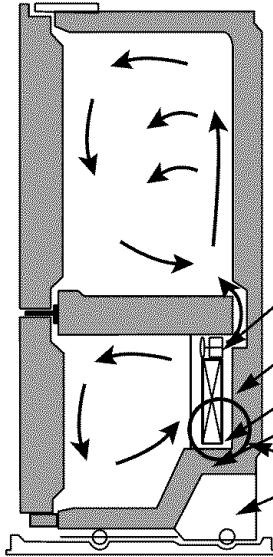
Set the icemaker power switch to the **ON** position. The icemaker will not begin to operate until it reaches its operating temperature of 15°F (-9°C) or below. It will then begin operation automatically if the icemaker power switch is in the **I (on)** position.



# TROUBLESHOOTING GUIDE

## UNDERSTANDING SOUNDS YOU MAY HEAR

Your new refrigerator may make sounds that your old one didn't make. Because the sounds are new to you, you might be concerned about them. Most of the new sounds are normal. Hard surfaces, like the floor, walls and cabinets, can make the sounds seem louder than they actually are. The following describes the kinds of sounds and what may be making them.



- The defrost timer will click when the automatic defrost cycle begins and ends. The thermostat control (or refrigerator control, depending on the model) will also click when cycling on and off.
- Rattling noises may come from the flow of refrigerant, the water line, or items stored on top of the refrigerator.
- Your refrigerator is designed to run more efficiently to keep your food items at the desired temperature. The high efficiency compressor may cause your new refrigerator to run longer than your old one, and you may hear a pulsating or high-pitched sound.
- You may hear the evaporator fan motor circulating the air through the refrigerator and freezer compartments.
- As each cycle ends, you may hear a gurgling sound due to the refrigerant flowing in your refrigerator.
- Contraction and expansion of the inside walls may cause a popping noise.
- Water dripping on the defrost heater during a defrost cycle may cause a sizzling sound.
- You may hear air being forced over the condenser by the condenser fan.
- You may hear water running into the drain pan during the defrost cycle.
- You can hear the noise occurred from the icing fan at the freezer or the left side of the refrigerator when doors are open.

## REFRIGERATOR DOES NOT OPERATE

**Check if...**

**Then...**

The power supply cord is unplugged.	Firmly plug the cord into a live outlet with proper voltage.
A household fuse has blown or circuit breaker tripped.	Replace the fuse or reset the circuit breaker.
The refrigerator control is set to the OFF position.	Refer to the <b>Setting the Controls</b> section on page 16.
Refrigerator is in the defrost cycle.	Wait about 30 minutes for defrost cycle to end.

## VIBRATION OR RATTLING NOISE

**Check if...**

**Then...**

The refrigerator is not resting solidly on the floor.	Floor is weak or uneven or leveling legs need adjusting. See <b>Installation</b> section on page 8 and 15.
---	--

## LIGHTS DO NOT WORK

**Check if...**

**Then...**

The power supply cord is unplugged.	Firmly plug the cord into a live outlet with proper voltage.
Light bulb is loose in the socket.	Turn the refrigerator control to the OFF position and unplug the refrigerator. Gently remove the bulb and reinsert. Then plug in refrigerator and reset the refrigerator control.
Light bulb has burned out.	Replace with an appliance bulb of the same wattage, size and shape available at your local hardware store. (See the <b>Changing the Light Bulb(s)</b> section on pages 27-28.) Turn the temperature control to the OFF position and unplug the refrigerator prior to replacement.

## TROUBLESHOOTING GUIDE

### COMPRESSOR MOTOR SEEMS TO RUN TOO MUCH

**Check if...**

**Then...**

The refrigerator that was replaced was an older model.	Modern refrigerators with more storage space require more operating time.
The room temperature is hotter than normal.	The motor will run longer under warm conditions. At normal room temperatures, expect your motor to run about 40% to 80% of the time. Under warmer conditions, expect it to run even more often.
The door is opened often or a large amount of food has just been added.	Adding food and opening the door warms the refrigerator. It is normal for the refrigerator to run longer in order to cool the refrigerator back down. Adding a large amount of food warms the refrigerator. See the <b>Food Storage Guide</b> section on page 19. In order to conserve energy, try to get everything you need out of the refrigerator at once, keep food organized so it is easy to find and close the door as soon as the food is removed.
The refrigerator was recently plugged in and the refrigerator control was set correctly.	The refrigerator will take up to 24 hours to cool completely.
The refrigerator control is not set correctly for the surrounding conditions.	See the <b>Adjusting Control Settings</b> section on page 19.
The doors are not closed completely.	Push the doors firmly shut. If they will not shut all the way, see <b>Doors will not close completely</b> below.
The condenser coils are dirty.	This prevents air transfer and makes the motor work harder. Clean the condenser coils. Refer to the <b>Care and Cleaning</b> section on pages 27-28.

### DOORS WILL NOT CLOSE COMPLETELY

**Check if...**

**Then...**

The refrigerator is not level.	See <b>Leveling and Door Alignment</b> section on page 15.
Food packages are blocking the door open.	Rearrange food containers to clear door and door shelves.
The ice bin, crisper cover, pans, shelves, door bins or baskets are out of position.	Push bins all the way in and put crisper cover, pans, shelves and baskets into their correct positions. See the <b>Using Your Refrigerator</b> section on pages 16-26.
The gaskets are sticking.	Clean gaskets and the surface that they touch. Rub a thin coat of paraffin wax on the gaskets after cleaning.
The refrigerator wobbles or seems unstable.	Level the refrigerator. Refer to the <b>Leveling and Door Alignment</b> section on page 15.
The doors were removed during product installation and not properly replaced.	Remove and replace the doors according to the <b>Removing and Replacing Refrigerator handles and doors</b> section on pages 9–12, or call a qualified service technician.

### FROST OR ICE CRYSTALS ON FROZEN FOOD

**Check if...**

**Then...**

The door is not closing properly.	See <b>Doors will not close completely</b> above.
The door is opened often.	When the door is opened, warm, humid air is allowed in the freezer, resulting in frost.

## TROUBLESHOOTING GUIDE

### ICE HAS OFF-TASTE OR ODOR

Check if...	Then...
The icemaker was recently installed.	Discard first few batches of ice to avoid discolored or off-flavored ice.
The ice has been stored for too long.	Throw away old ice and make new supply.
The food has not been wrapped tightly in either compartment.	Rewrap foods since odors may migrate to the ice if food is not wrapped properly.
The water supply contains minerals such as sulfur.	A filter may need to be installed to eliminate taste and odor problems.
The interior of refrigerator needs cleaning.	See <b>Care and Cleaning</b> section on pages 27-28.
Ice storage bin needs cleaning.	Empty and wash bin. Discard old cubes.

### THERE IS WATER IN THE DEFROST DRAIN PAN

Check if...	Then...
The refrigerator is defrosting.	The water will evaporate. It is normal for water to drip into the defrost pan.
It is more humid than normal.	Expect that the water in the defrost pan will take longer to evaporate. This is normal when it is hot or humid.

### THE REFRIGERATOR SEEMS TO MAKE TOO MUCH NOISE

Check if...	Then...
The sounds may be normal for your refrigerator.	Refer to the <b>Understanding Sounds You May Hear</b> section on page 33.

### THE ICEMAKER IS NOT PRODUCING ICE OR ICE CUBES ARE FREEZING TOO SLOWLY

Check if...	Then...
The freezer temperature is cold enough to produce ice.	Wait 24 hours after hook-up for ice production. See the <b>Setting the Controls</b> section on page 16.
Door left open.	Check to see if something is holding the door open.

### CUBES PRODUCED BY ICEMAKER ARE TOO SMALL

Check if...	Then...
Smaller cube size level is selected.	Select larger cube size using cube size selector.
Water shutoff valve connecting refrigerator to water line may be clogged.	Call a plumber to clear the valve.

### THE DOORS ARE DIFFICULT TO OPEN

Check if...	Then...
The gaskets are dirty or sticky.	Clean gaskets and the surfaces that they touch. Rub a thin coat of appliance polish or kitchen wax on the gaskets after cleaning.
The door is reopened within a short time after having been opened.	When you open the door, warmer air enters the refrigerator. As the warm air cools, it can create a vacuum. If the door is hard to open, wait 5 minutes to allow the air pressure to equalize, then see if it opens more easily.

## TROUBLESHOOTING GUIDE

### TEMPERATURE IS TOO WARM OR THERE IS INTERIOR MOISTURE BUILDUP

Check if...

Then...

<p>The air vents are blocked. Cold air circulates from the freezer to the fresh food section and back again through air vents in the wall dividing the two sections.</p>	<p>Locate air vents by using your hand to sense airflow and move all packages that block vents and restrict airflow.</p>
<p>The doors are opened often.</p>	<p>When the door is opened, warm humid air is allowed into the refrigerator. The more the door is opened, the faster the humidity builds up, and the more warm air the refrigerator must cool. In order to keep the refrigerator cool, try to get everything you need out of the refrigerator at once, keep food organized so it is easy to find and close the door as soon as the food is removed.</p>
<p>The control is not set correctly for the surrounding conditions.</p>	<p>Refer to the <b>Setting the Controls</b> section on page 16. Wait 24 hours for temperatures to stabilize or even out. If the temperature is too cold or too warm, move the dial one number at a time.</p>
<p>A large amount of food has just been added to the refrigerator or freezer.</p>	<p>Adding food warms the refrigerator. It can take a few hours for the refrigerator to return to normal temperature.</p>
<p>The food is not packaged correctly.</p>	<p>Wrap food tightly and wipe off damp containers prior to storing in the refrigerator to avoid moisture accumulation. If necessary, repackage food according to the guidelines in the <b>Food Storage Guide</b> section on page 19.</p>
<p>The doors are not closing completely.</p>	<p>See <b>Doors will not close completely</b> on page 34.</p>
<p>The weather is humid.</p>	<p>In humid weather, air carries moisture into refrigerator when doors are opened.</p>
<p>A self-defrost cycle was completed.</p>	<p>It is normal for droplets to form on the back wall after the refrigerator self-defrosts.</p>



# ÍNDICE

<b>Garantía</b>	<b>39</b>		
<b>Contrato Maestro De Proteccion</b>	<b>40</b>	Bastidor De Puerta De Alambre Del Congelador	60
<b>Mensajes De Seguridad</b>	<b>41–42</b>	Recipiente Para Hielo	60
<b>Requerimientos De Conexión A Tierra</b>	<b>42</b>	Durabase	61
<b>Partes Y Características</b>	<b>43</b>	Divisor De La Durabase	61
<b>Instalación Del Refrigerador</b>	<b>44–51</b>	Cajón Removible	61
Desempacando El Refrigerador	44	Filtro de Agua	62
Instalación	44	<b>Cuidado Y Limpieza</b>	<b>63–64</b>
Cómo Quitar Y Volver a Colocar Las Jaladeras De La Puerta, Del Cajón	45–48	Consejos Generales De Limpieza	63
Cómo Desmontar Y Volver a Instalar El Cajón Extraíble	49–50	Parte Exterior	63
Nivelación Y Alineación De La Puerta	50	Paredes Internas	63
Cubierta de la base	50	Revestimientos Y Empaques De La Puerta	63
<b>Usando Su Refrigerador</b>	<b>52–62</b>	Partes Plásticas	63
Configurando Los Controles	52	Bobinas Del Condensador	63
Asegurar La Correcta Circulación Del Aire	52	Reemplazo Del Foco	63–64
Función De Diagnóstico (Detección De Averías)	53	Apagones	64
Instrucciones De Uso De La Nueva Puerta Del Depósito De Hielo	54	Cuando Ud. Salga De Vacaciones	64
Ajuste De Los Controles	55	Cuando Ud. Se Cambie De Casa	64
Guía De Almacenamiento De Alimentos	55	<b>Acerca De La Fábrica De Hielo</b>	<b>65</b>
Como Guardar Alimentos Congelados	56	<b>Conexión De La Línea De Agua</b>	<b>66–68</b>
<b>► SECCIÓN REFRIGERADOR</b>		<b>Guía Para Localización De Problemas</b>	<b>69–72</b>
Dispensador Del Agua	56		
Anaqueles Del Refrigerador	57		
Soporte Para Vino	57		
Chef Fresh / Bandejas De Aperitivos	58		
Cajones Super Frescos Con Compartimientos Inclinables	58		
Control De Humedad De Los Cajones	58		
Cajon Con Compartimiento Inclinable	58		
Para Retirar El Recipiente Para Hortalizas	58		
Cubierta De Los Cajones Con Rejilla Interior	59		
Modular Door Bin	59		
Compartimiento Para Huevos	59		
Compartimiento Para Lácteos	59		
<b>► SECCIÓN CONGELADOR</b>			
Puerta inclinable	60		



## GARANTIA DEL FRIGORIFICO CON CONGELADOR INFERIOR

### Garantia de electrodomesticos Kenmore Elite

#### Garantia limitada de un ano

Si, tras ser instalado, operado y mantenido segun todas las instrucciones incluidas con el producto, este electrodomestico sufriera averias debidas a defectos de material o mano de obra, dentro del periodo de un ano desde la fecha de compra, llame al 1-800-4-MY-HOME(r) para su reparacion gratuita.

Si este electrodomestico se utiliza con propositos distintos a los fines privados de una familia, esta garantia solo sera aplicable durante 90 dias desde la fecha de compra.

#### Garantia limitada de cinco anos en sistemas de refrigeracion sellados

Durante cinco anos tras la fecha de compra, siempre que el frigorifico sea instalado, operado y mantenido segun las instrucciones incluidas, Sears reparara el sistema sellado de refrigeracion (formado por el refrigerante, conductos de conexion y compresor), de forma gratuita, si detectara un defecto de los materiales o de la mano de obra.

#### Esta garantia cubre unicamente los defectos de material y mano de obra. Sears NO cubrira:

1. Elementos consumibles que pueden gastarse debido al uso normal, incluyendo de forma enunciativa pero no limitativa, los filtros, correas, bombillas y bolsas de la unidad.
2. Un tecnico de servicio para mostrar al usuario la instalacion, funcionamiento o mantenimiento correctos del producto.
3. Un tecnico de servicio para realizar labores de limpieza o mantenimiento del producto.
4. Danos o averias en caso de no acatar las instrucciones de instalacion, funcionamiento o mantenimiento incluidas con el producto.
5. Danos o averias en caso de accidente, abuso, uso inadecuado o uso con propositos distintos a los fines para los que fue disenado.
6. Danos o averias en caso de utilizar detergentes, limpiadores, sustancias quimicas o utensilios distintos a los recomendados en las instrucciones incluidas con el producto.
7. Danos o averias en las piezas o sistemas provocadas por modificaciones en el producto no autorizadas.

#### Clausula de exencion de responsabilidad o garantias implitas; limitacion de recursos

El unico y exclusive recurso del cliente bajo esta garantia limitada sera la reparacion del producto como se ha mencionado. Las garantias implitas, incluyendo garantias de comerciabilidad o idoneidad para un fin concreto, estas limitadas a un ano o el periodo de tiempo mas reducido permitido por la ley. Sears no sera responsable de los danos incidentales o derivados. Ciertos estados y provincias no permiten exclusiones o limitaciones de danos incidentales o derivados, o limitaciones en relacion a la duracion de las garantias implitas de comerciabilidad o idoneidad, de tal forma que estas limitaciones o excepciones pueden no ser pertinentes para usted.

Esta garantia sera aplicable unicamente mientras este electrodomestico sea utilizado dentro de los Estados Unidos y Canada.

Esta garantia le otorga unos derechos legales especificos, e incluso puede conferirle otros derechos, distintos dependiendo del estado en que se encuentre.

**Sears, Roebuck y Co., Dept. 817WA, Hoffman Estates, IL 60179**

**Sears Canada, Inc., Toronto, Ontario, Canada M5B 2B8**

# CONTRATO MAESTRO DE PROTECCION

## En Estados Unidos

### Contrato Maestro de Protección

*Felicidades por hacer una compra inteligente.* Su nuevo refrigerador Kenmore® está diseñado y fabricado para durar muchos años. Sin embargo de vez en cuando éste requiere de mantenimiento preventivo o reparaciones. Es por esto que al tener el Contrato Maestro de Protección Ud. Puede ahorrar tiempo y dinero.

*Adquiera su Contrato Maestro de Protección y protéjase de gastos inesperados.*

El Contrato Maestro de Protección también le ayuda a prolongar la vida de su aparato. Este contrato incluye lo siguiente:

- ✓ **Servicio experto** por nuestros 12,000 especialistas en reparaciones
- ✓ **Servicio ilimitado sin cargo alguno** en refacciones y mano de obra en todas las reparaciones cubiertas
- ✓ **Garantía "No-lemon"** – reemplazo del producto cubierto si se falla más de tres veces en un lapso de 12 meses
- ✓ **Reemplazo del producto** si el producto cubierto no puede ser reparado
- ✓ **Revisión Anual de Mantenimiento Preventivo** sin cargo alguno, a solicitud suya.
- ✓ **Ayuda rápida por teléfono** – asistencia instructiva y no técnica para los productos reparados en su casa, además de un programa conveniente de reparaciones
- ✓ **Protección de la fuente de poder** contra daños eléctricos debido fluctuaciones de energía
- ✓ **Reembolso por alquiler** si la reparación del producto cubierto toma más tiempo de lo prometido

Una vez que adquiera el Contrato, solamente necesitará hacer una simple llamada telefónica para programar su servicio. Ud. puede llamar a cualquier hora, ya sea de día o de noche, o también programar una visita de servicio "en línea".

Sears cuenta con más de 12,000 especialistas profesionales en reparación que tienen acceso a más de 4.5 millones de refacciones y accesorios de calidad. Este

es el profesionalismo con el que Ud. puede contar para alargar por muchos años la vida de su aparato. ¡Adquiera su Contrato Maestro de Protección ahora!

#### Aplican restricciones

Para información adicional y precios, llame al **1-800-827-6655**.

#### Servicio de Instalación Sears

*Para instalaciones profesionales garantizadas por Sears* tales como electrodomésticos, puertas para garages o calentadores de agua, llame al **1-800-4-MY-HOME.®**

## En Canadá

### Contrato de Mantenimiento

Su compra tiene un valor agregado porque usted puede acudir a Sears HomeCentral® para servicio. Con más de 2400 Técnicos de Servicio y más de un millón de partes y accesorios, nosotros tenemos las herramientas, partes, conocimiento y habilidades para cumplir nuestro compromiso: Reparamos lo que Vendemos.

Su nuevorefrigerador Kenmore® está diseñado y fabricado para durar muchos años. Sin embargo de vez en cuando éste requiere de mantenimiento preventivo o reparaciones. Es por esto que al tener el Contrato Maestro de Protección Ud. puede ahorrar tiempo y dinero.

#### Contrato de Mantenimiento de Sears

- Es nuestra manera comprar el servicio de mañana al precio de hoy.
- Eliminar cuentas de reparaciones debido a un uso normal y raspones.
- Cuenta con soporte telefónico de técnicos de Sears en productos que requieren reparación en casa.
- Aún cuando usted no necesite reparaciones, cuenta con una Revisión de Mantenimiento Preventivo anual, a su disposición, para asegurar que su producto está funcionando de la manera adecuada.

**Aplican restricciones. Para más información acerca del Contrato de Mantenimiento de Sears Canadá llame al 1-800-361-6665**

## REGISTRO DEL PRODUCTO

En el espacio inferior, registre la fecha de compra, modelo y número de serie de su producto. Usted encontrará el modelo y número de serie impresos en una etiqueta de identificación localizada en el lado derecho adentro del refrigerador.

Tenga estos datos a la mano cada vez que contacte a Sears para algo relacionado con su producto.

Modelo \_\_\_\_\_

Fecha de Compra \_\_\_\_\_

No. de Serie \_\_\_\_\_

Distribuidor \_\_\_\_\_

Guarde esta instrucciones y anexe su recibo de compra para futuras referencias.



## INSTRUCCIONES IMPORTANTES DE SEGURIDAD

Esta guía contiene muchos mensajes importantes sobre la seguridad. **Lea y obedezca** siempre todos mensajes de seguridad.



Este es el símbolo de Alerta de seguridad. Sirve para alertarle sobre la presencia de mensajes de seguridad que le informan acerca de peligros potenciales que pueden ocasionar la muerte o lesiones tanto a usted como a otras personas, o que pueden ocasionar daños al producto.

Todos los mensajes de seguridad serán precedidos por el símbolo de alerta de seguridad y por una de las siguientes palabras de alerta: PELIGRO, ADVERTENCIA, CUIDADO. Estas palabras significan:

 **PELIGRO**

Si no sigue las instrucciones, Ud. **sufrirá** lesiones graves o muerte.

 **ADVERTENCIA**

Si no sigue las instrucciones, usted **puede** morir o sufrir lesiones graves.

 **CUIDADO**

Indica una situación de riesgo inminente, que si no se evita, **puede** resultar en lesiones leves o moderadas, o sólo en daños al producto.

Todos los mensajes de seguridad le dirán el peligro potencial, le dirán cómo reducir las posibilidades de sufrir una lesión y lo que puede suceder si no se siguen las instrucciones.

### **ADVERTENCIA**

**Para reducir el riesgo de fuego, de choques eléctricos, o de lesiones a las personas, deben seguir las siguientes precauciones de seguridad:**

**Lea todas las instrucciones antes de utilizar este aparato.**

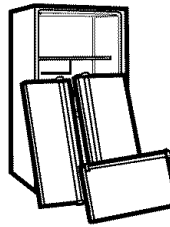
- NUNCA desconecte a su refrigerador jalando del cable de alimentación. Siempre agarre el enchufe firmemente y jálelo derecho hacia afuera del tomacorriente.
- Repare o reemplace inmediatamente todas las extensiones de alimentación eléctrica que se hayan desgastado o dañado de alguna manera. No utilice una extensión que tenga grietas o arañazos en algún lugar a lo largo del cable, o en el extremo donde está su enchufe o su tomacorriente.
- When moving your refrigerator away from the wall, be careful not to roll over or damage the power cord.
- NO almacene ni use gasolina u otros líquidos o vapores combustibles cerca de éste ni de cualquier otro aparato electrodoméstico.
- NO permita que los niños escalen, se paren o se cuelguen de las puertas o estantes del refrigerador. Ellos podrían dañar al refrigerador y lastimarse gravemente.
- Mantenga sus dedos alejados de los puntos de pellizco; por necesidad, el espacio entre las puertas y el gabinete es pequeño. Tenga cuidado al cerrar las puertas cuando hay niños en el área.
- Desconecte el refrigerador antes de limpiarlo o de hacer cualquier reparación.  
**NOTA:** Recomendamos encarecidamente que cualquier servicio de mantenimiento debe ser realizado por una persona calificada.
- Antes de cambiar una bombilla quemada, desconecte el refrigerador o apague la energía eléctrica en el cortacircuito o en la caja de fusibles, para evitar un contacto con un filamento de alambre que tenga voltaje. (Es posible que una bombilla quemada se rompa al tratar de cambiarla.)  
**NOTA:** Poniendo uno o ambos controles en la posición de OFF (APAGADO) no elimina la electricidad del circuito de iluminación.

- Este refrigerador debe ser instalado correctamente de acuerdo con **Atención Instrucciones para el Instalador** que se aseguraron con cinta adhesiva al frente del refrigerador.
- No toque las superficies frías del compartimento congelador con las manos mojadas o húmedas, después de que su refrigerador esté funcionando. La piel se puede adherir a las superficies extremadamente frías.
- En los refrigeradores que tienen fábricas automáticas de hielo, evite el contacto con las partes móviles del mecanismo expulsor y con el elemento calefactor que libera a los cubitos. Cuando el refrigerador esté conectado, NO ponga los dedos ni las manos en el mecanismo automático de hacer hielo.
- NO vuelva a congelar los alimentos que se hayan descongelado totalmente. El Departamento de Agricultura de Estados Unidos en su Boletín No. 69 de Hogar y Jardín dice:  
...Usted puede volver a congelar sin peligro, los alimentos congelados que se hayan descongelado, siempre y cuando ellos todavía contengan cristales de hielo, o si continúan fríos — a menos de 40°F (4°C).  
...La carne molida, aves o pescado que tengan un mal olor, o un mal color no deben volver a ser congelados y no deben ser consumidos. Los helados que se hayan descongelado deben ser desechados. Si el olor o el color de algún alimento es malo o dudoso, deséchelo. Puede ser peligroso consumir ese alimento.  
Hasta un descongelamiento parcial seguido de volver a congelar los alimentos reduce su calidad, especialmente la de las frutas, hortalizas y alimentos preparados. La calidad de las carnes rojas se afecta menos que la de muchos otros alimentos. Para poder salvar lo más que se pueda de su calidad, consuma los alimentos que se hayan vuelto a congelar, tan pronto como sea posible.
- **No modifique ni prolongue el largo del cable de alimentación.**  
Esto podría provocar una descarga eléctrica o un incendio.

## GUARDE ESTAS INSTRUCCIONES

## **⚠ PELIGRO: LOS NIÑOS PUEDEN QUEDAR ATRAPADOS**

Los frigoríficos desechados o abandonados representan un gran peligro... incluso si sólo permanecen en la basura unos días. Si decide deshacerse de su antiguo frigorífico, siga las instrucciones de la derecha para evitar accidentes.



### **ANTES DE TIRAR SU REFRIGERADOR O CONGELADOR VIEJO**

- Retire las puertas.
- Deje los estantes en su sitio para que los niños no puedan meterse adentro fácilmente.

## **CÓMO DESECHAR CFCs**

Es posible que su refrigerador viejo tenga un sistema de refrigeración que utilizaba CFCs (clorofluorocarbonos). Se cree que los CFCs hacen daño al ozono de la estratósfera.

Si usted va a deshacerse de su refrigerador viejo, asegúrese de que el refrigerante CFC sea retirado por una persona de mantenimiento calificada. Si libera intencionalmente el refrigerante CFC, Ud. puede estar sujeto a multas o prisión, según lo previsto en la legislación ambiental vigente.

## **REQUERIMIENTOS DE CONEXIÓN A TIERRA**

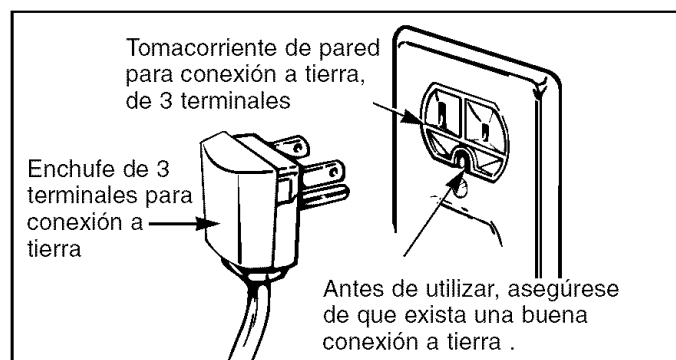
**IMPORTANTE:** Favor de leer con cuidado.

### **CONEXIÓN ELÉCTRICA**

#### **⚠ ADVERTENCIA**

##### **Riesgo de Choque Eléctrico**

**PARA LA SEGURIDAD PERSONAL**, este aparato debe estar conectado a tierra correctamente. Haga revisar el circuito y el tomacorriente de pared por un electricista calificado, para asegurarse de que el tomacorriente este conectado a tierra correctamente.



### **MÉTODO DE CONEXIÓN A TIERRA RECOMENDADO**

Su refrigerador debe estar siempre enchufado en su propio tomacorriente, que debe estar conectado correctamente a tierra. El circuito eléctrico debe ser de 115 voltios AC, 60 Hz, con fusibles de 15 A 20 amperios. Esto brinda el mejor desempeño y evita que se produzcan sobrecargas en los circuitos eléctricos de la casa, los cuales podrían ocasionar riesgos de incendio debido a un sobrecalentamiento de los cables. Se

recomienda proveer un circuito separado, sólo para este producto. Use un receptáculo que no pueda ser desconectado por medio de un interruptor de pared o de cadena. No utilice un cable de extensión. Cuando se encuentre un tomacorriente de pared de

dos terminales, es su responsabilidad y obligación personal hacerlo reemplazar con un tomacorriente de pared que éste correctamente conectado a tierra.

**Bajo ninguna circunstancia se debe cortar ni quitar el tercer terminada (tierra) del cable de alimentación.**

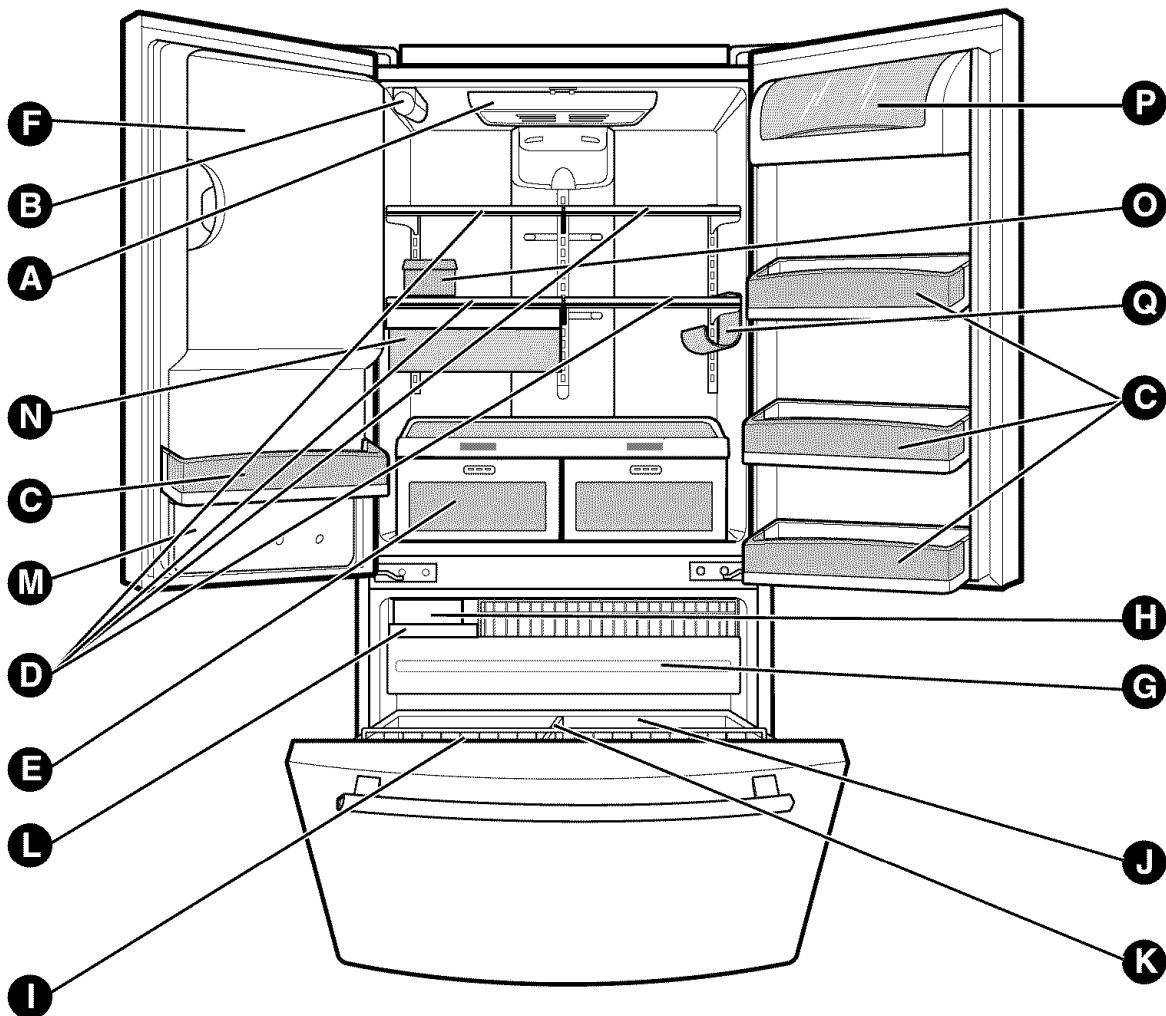
**NOTA:** Antes de hacer ningún tipo de instalación, de limpieza o de cambio de bombillas, apague (OFF) el control (termostato, control del refrigerador ó del congelador, según el modelo), y luego desconecte el refrigerador del tomacorriente. Cuando haya terminado, vuelva a conectar el refrigerador y ajuste el control (termostato, control del refrigerador ó del congelador, según el modelo) a la posición deseada.

### **USO DE CABLES DE EXTENSIÓN**

**Debido a potenciales riesgos de seguridad, nosotros le recomendamos encarecidamente que no utilice cables de extensión.** Sin embargo, si usted todavía elige utilizar un cable de extensión, es absolutamente necesario que utilice un cable de extensión que se encuentre en la lista UL ( Estados Unidos), de 3 conductores con conexión a tierra, apropiado para aparatos electrodomésticos, que tenga un enchufe y un tomacorriente para conexión a tierra, y que la capacidad eléctrica del cable sea de 15 amperios (mínimo) y 120 voltios.

El uso de un cable de extensión aumentará el espacio libre necesario en la parte de atrás de su refrigerador.

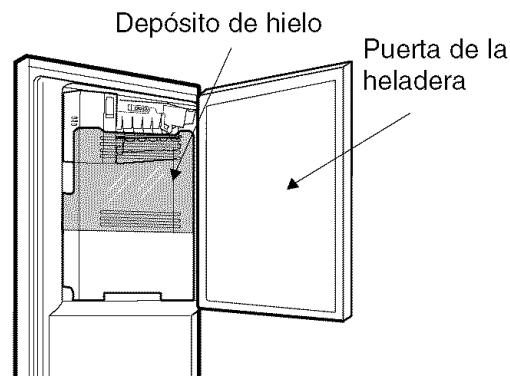
## PARTES Y CARACTERÍSTICAS



Use esta sección para familiarizarse más con las partes y características.

**NOTA:** Esta guía cubre varios modelos diferentes. Es posible que el refrigerador que usted ha comprado tenga algunas o todas las partes que aparecen en la siguiente lista. Es posible que la posición de algunas de las características que se muestran a continuación no coincida con la de su modelo.

- |  |  |
|--|--|
| <b>A</b> Luz del frigorífico (pág. 63)                                 | <b>I</b> Canasto inclinable (pág. 60)                        |
| <b>B</b> Filtro (interno) (pág. 62)                                    | <b>J</b> Durabase (pág. 61)                                  |
| <b>C</b> Depósito con puertas modulares                                | <b>K</b> Divisor (pág. 61)                                   |
| <b>D</b> Baldas del frigorífico (pág. 57)                              | <b>L</b> Depósito de hielo (pág. 60)                         |
| <b>E</b> Cajones super frescos con compartimientos inclinables (p. 58) | <b>M</b> Cubierta frontal                                    |
| <b>F</b> Heladera (pág. 53)<br>(Máquina de cubitos y bandeja de hielo) | <b>N</b> Bandeja de aperitivos (pág. 58)                     |
| <b>G</b> Cajón extraíble (pág. 60)                                     | <b>O</b> Huevera (pág. 59)                                   |
| <b>H</b> Motor turbo   | <b>P</b> Compartimiento para lácteos (pág. 59)               |
|  | <b>Q</b> Botellero (pág. 57)<br>(Solamente 795.7757* Modelo) |



# INSTALACIÓN DEL REFRIGERADOR

## ⚠ ADVERTENCIA

### Peligro por Exceso de Peso

Use dos o más personas para mover e instalar el refrigerador.

Si no lo hace así, puede resultar en lesión de la espalda o de otro tipo.

## DESEMPACANDO EL REFRIGERADOR

Antes de usarlo, retire la cinta y cualesquier etiquetas temporales de su refrigerador. No retire las etiquetas de tipo de advertencia, la etiqueta de modelo y número de serie, o la hoja de Información Técnica que se adhiere a la pared posterior del refrigerador.

Para quitar cualquier cinta o pegamento remanente, frote rápido el área con su dedo. El residuo de cinta o pegamento puede ser removido fácilmente frotando una pequeña cantidad de jabón líquido para vajillas sobre el adhesivo con sus dedos. Enjuague con agua tibia y seque.

No use instrumentos afilados, alcohol, ni fluidos inflamables o limpiadores abrasivos para remover la cinta o pegamento. Estos productos pueden dañar la superficie de su refrigerador. Para más información, vea la sección **Instrucciones de Seguridad Importantes**.

Los estantes del refrigerador están instalados en la posición para transporte.

Favor de reinstalar los anaqueles de acuerdo a sus necesidades individuales de almacenamiento.

## ⚠ ADVERTENCIA

### Cuando Mueva su Refrigerador:

Su refrigerador es pesado. Cuando mueva el refrigerador para su limpieza o servicio, asegúrese de proteger el piso. Mantenga siempre de pie el refrigerador al moverlo. No menee ni haga caminar al refrigerador cuando trate de moverlo, puesto que podría ocurrir daño al piso.

## ⚠ ADVERTENCIA





### Peligro de Explosión

Mantenga los materiales y vapores inflamables, tales como gasolina, lejos del refrigerador.

Una falla en hacer esto, puede resultar en muerte, explosión o incendio.

## INSTALACIÓN

1. Para evitar la vibración la unidad debe estar nivelada. Si se requiere, ajuste los tornillos de nivelación para compensar el desnivel del piso. El frente debería ser ligeramente más alto que la parte posterior para ayudar a cerrar la puerta. Los tornillos de nivelación pueden ser girados con facilidad inclinando ligeramente el gabinete. Gire los tornillos de nivelación en el sentido de las manecillas del reloj (  ) para elevar la unidad, en el sentido contrario al de las manecillas del reloj (  ) para bajarlo.
2. Instale este aparato en un área donde la temperatura esté entre 55°F (13°C) y 110°F (43°C). Si la temperatura alrededor del aparato es demasiado baja o alta, la capacidad para enfriar puede ser afectada adversamente.
3. Deje un espacio libre de al menos 2 pulgadas del techo y 1 pulgada de las paredes laterales para una mejor eficiencia de refrigeración, para tener facilidad de instalación, para una circulación de aire apropiada y para hacer las conexiones eléctricas.

**⚠ CUIDADO:** Evite colocar la unidad cerca de fuentes de calor, luz directa del sol o humedad.

## LUEGO

1. Limpie a fondo su refrigerador y retire todo el polvo acumulado durante su transporte.
2. Instale los accesorios tales como bandeja para cubos de hielo, cajones, estantes, etc., en sus lugares apropiados. Estos vienen empacados juntos para evitar posible daño durante el transporte.
3. Permita que su refrigerador funcione por al menos 2 ó 3 horas antes de colocar alimentos en él. Verifique el flujo de aire frío en el compartimiento del congelador para asegurar un enfriamiento apropiado.

## ⚠ ADVERTENCIA

- Tenga cuidado cuando usted trabaje con BISAGRAS, la rejilla de base, tapones, etc.. Usted puede resultar lesionado. Su refrigerador está listo ahora para usarse.
- No coloque las manos o un pie o varillas metálicas en las aberturas de aire, en la rejilla de la base o en la parte del fondo del refrigerador. Ud. puede resultar lesionado o recibir un choque eléctrico.

## CÓMO QUITAR LAS JALADERAS DE LA PUERTA, DEL CAJÓN

Para mover el refrigerador a través de la puerta de una casa, puede que sea necesario remover las manijas de la puerta del refrigerador.

**NOTA:** La apariencia de la jaladera puede ser diferente a las que aparecen en las figuras de esta página.

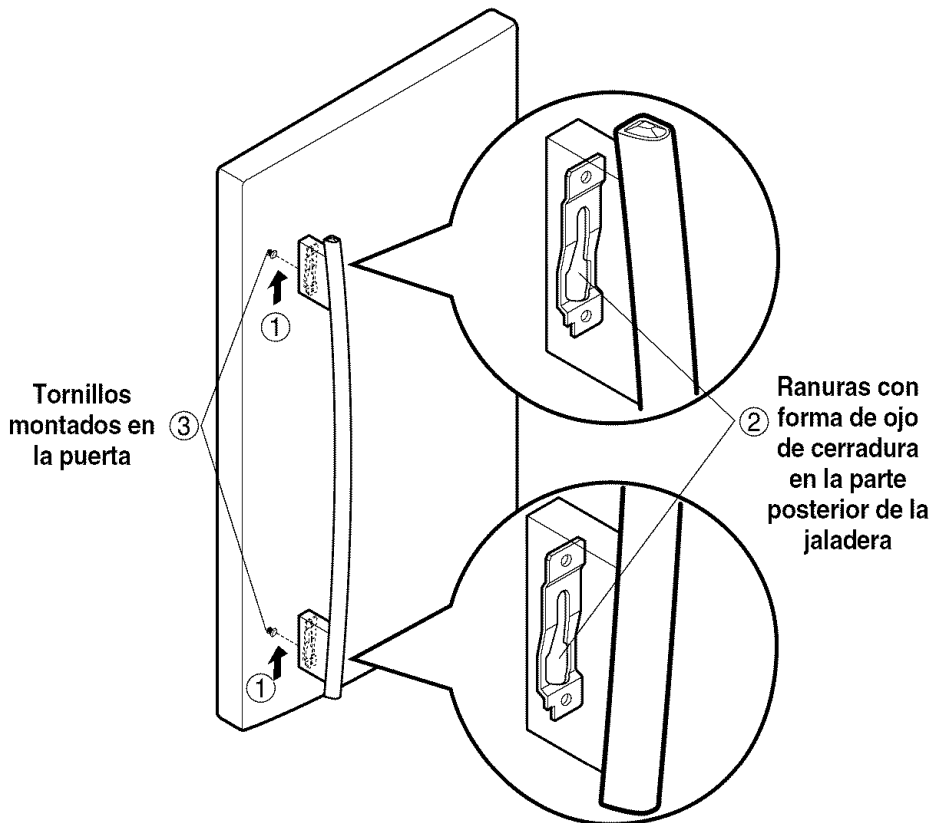
### 1. Para quitar la jaladera del refrigerador

- Agarre la jaladera firmemente con ambas manos y hágala deslizar hacia arriba (1) (esto puede requerir bastante fuerza).

- Las ranuras con forma de ojo de cerradura (2) de la parte posterior de la jaladera permiten que ésta se separe de los tornillos de montaje (3).

**⚠ CUIDADO:** Al tratar de quitar y colocar la jaladera, ella se puede dañar y romper cuando usted golpee con el martillo.

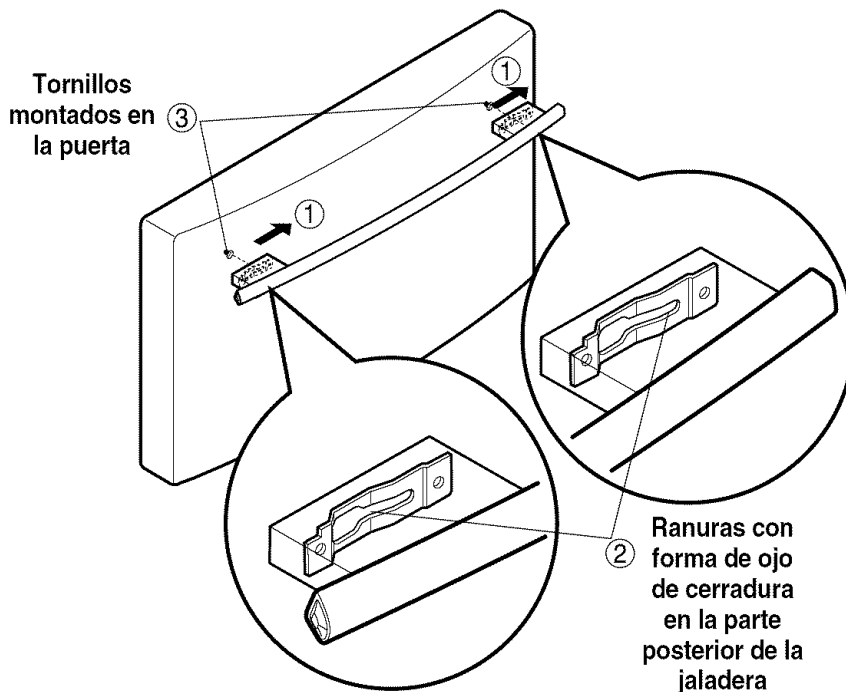
**⚠ CUIDADO:** Cuando ensamble o desensamble la jaladera, Ud. debe empujarla y jalarla con un momento de fuerza.



### 2. Para quitar la jaladera del Cajón del congelador

- Agarre la jaladera firmemente con ambas manos y hágala deslizar hacia la derecha (1) (esto puede requerir bastante fuerza).

- Las ranuras con forma de ojo de cerradura (2) de la parte posterior de la jaladera permiten que ésta se separe de los tornillos de montaje (3).

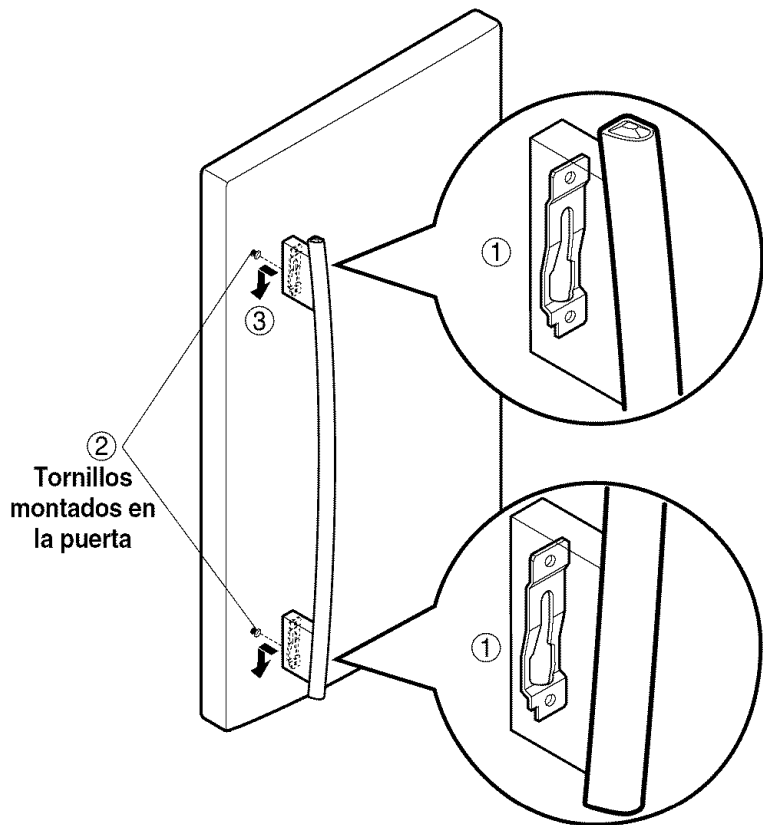


## CÓMO VOLVER A INSTALAR LAS JALADERAS DE LA PUERTA, DEL CAJÓN

**NOTA:** La apariencia de la jaladera puede ser diferente a las que aparecen en las figuras de esta página.

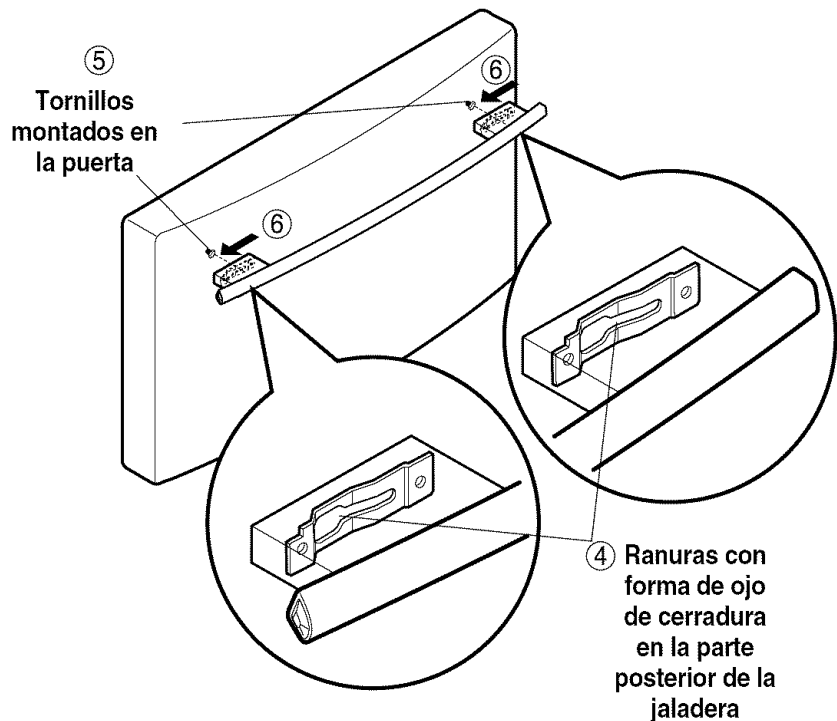
### 1. Para volver a instalar la jaladera de la puerta del refrigerador

- Alinee las ranuras con forma de ojo de cerradura (1) de la parte superior e inferior de la parte posterior de la jaladera a los tornillos (2) montados al frente de la puerta.
- Presione la jaladera contra el frente de la puerta, asegurando que los tornillos (2) entren en las ranuras con forma de ojo de cerradura (1).
- Sosteniendo la jaladera con ambas manos, presiónela firmemente contra el frente de la puerta y hágala deslizar hacia abajo (3).



### 2. Para volver a instalar la jaladera de la puerta del cajón del congelador

- Alinee las ranuras con forma de ojo de cerradura (4) a la derecha e izquierda de la parte posterior de la jaladera con los tornillos (5) montados al frente del cajón.
- Presione la jaladera contra el frente del cajón, asegurando que los tornillos (5) entren en las ranuras con forma de ojo de cerradura (4).
- Sosteniendo la jaladera con ambas manos, presiónela firmemente contra el frente del cajón y hágala deslizar hacia la izquierda (6).



# INSTALACIÓN DEL REFRIGERADOR

## CÓMO QUITAR Y VOLVER A COLOCAR LAS PUERTAS DEL REFRIGERADOR

### 1. Cómo quitar la puerta del refrigerador

**CUIDADO:** Antes de comenzar, apague y desconecte el refrigerador. Saque los alimentos y cualesquier recipientes de las puertas.

#### ► Puerta izquierda

1. Desconecte el tubo de abastecimiento de agua empujando hacia atrás el anillo de desconexión (4).
2. Abra la puerta. Afloje el tornillo de la cubierta de la bisagra superior (1). Use un destornillador plano para palanquear los ganchos del frente de la cubierta, en el lado de abajo, hacia atrás (3). Levante la cubierta.
3. Desconecte el arnés de alambres del interruptor de la puerta (2). Retire la cubierta.
4. Extraiga el tubo.
5. Desconecte los tres arneses de alambres (5). Quite el tornillo de conexión a tierra (6).
6. Haga girar a la palanca de la bisagra (7) en el sentido contrario al de las manecillas del reloj y retírela. Levante la bisagra superior (8) hasta que salga de la retención de la palanca de la bisagra (9).

**▲ CUIDADO:** Al levantar la bisagra hacia afuera de la retención, tenga cuidado para que la puerta no se caiga hacia adelante.

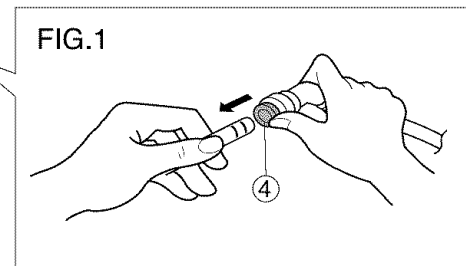
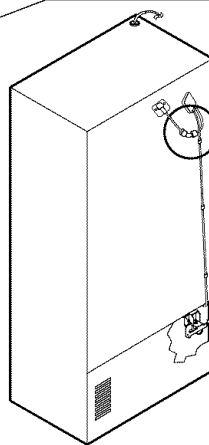
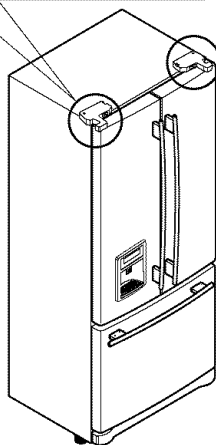
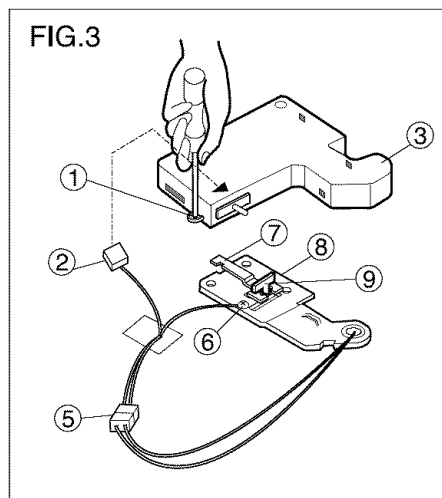
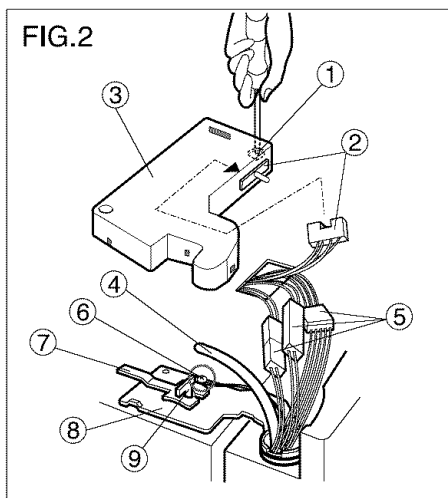
7. Levante la puerta del pasador de la bisagra del medio (10) y retire la puerta.
8. Coloque la puerta, con el lado interior hacia arriba, sobre una superficie que no produzca rayaduras.

#### ► Puerta derecha

1. Abra la puerta. Afloje el tornillo de la cubierta de la bisagra superior (1). Levante la cubierta (3).
2. Desconecte el arnés de alambres del interruptor de la puerta (2). Retire la cubierta.
3. Desconecte el arnés de alambres (5). Quite el tornillo de conexión a tierra (6).
4. Haga girar a la palanca de la bisagra (7) en el sentido de las manecillas del reloj y retírela. Levante la bisagra superior (8) hasta que salga de la retención de la palanca de la bisagra (9).

**▲ CUIDADO:** Al levantar la bisagra hacia afuera de la retención, tenga cuidado para que la puerta no se caiga hacia adelante.

5. Levante la puerta del pasador de la bisagra del medio (10) y retire la puerta.
6. Coloque la puerta, con el lado interior hacia arriba, sobre una superficie que no produzca rayaduras.



# INSTALACIÓN DEL REFRIGERADOR

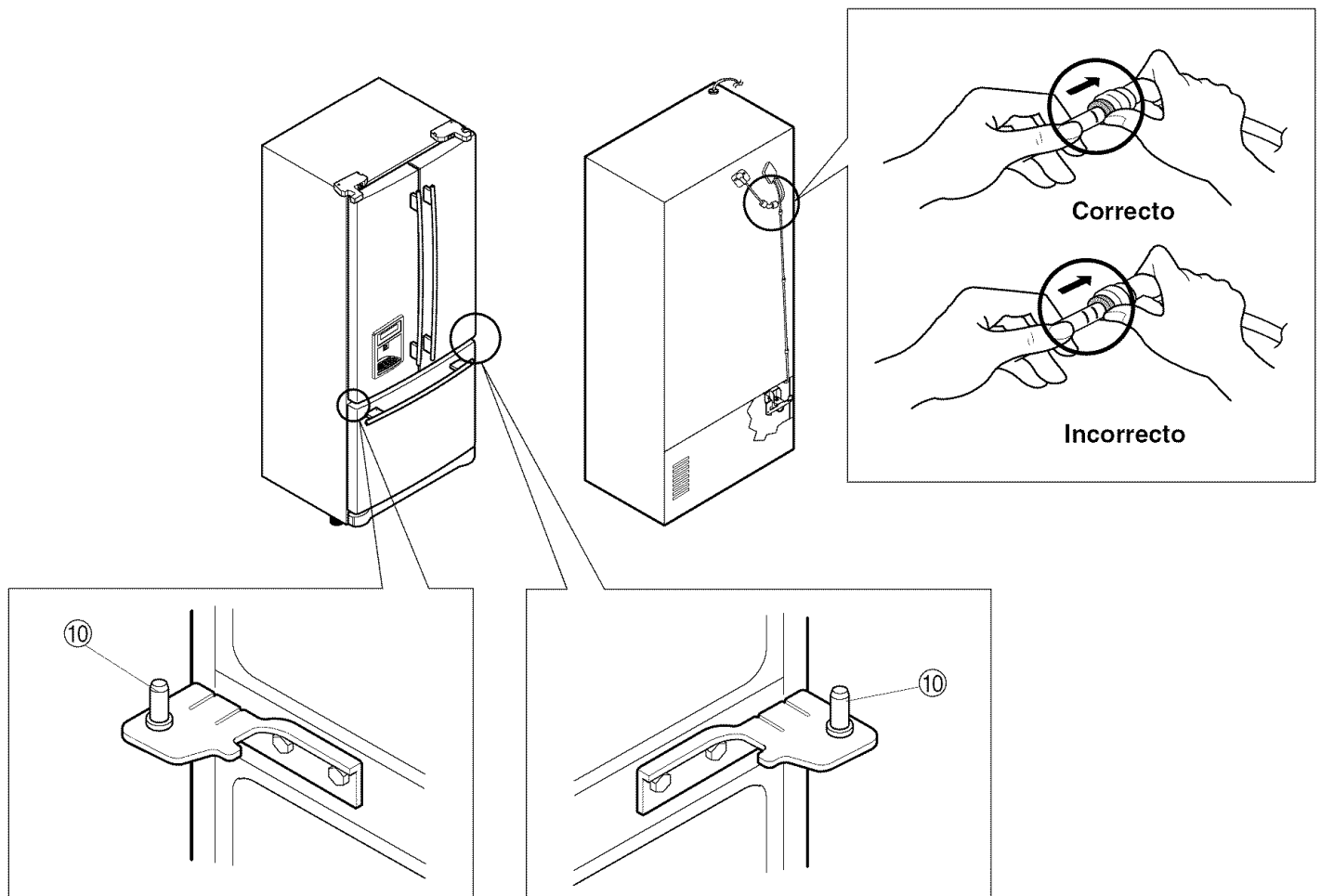
## 2. Como volver a colocar las puertas del refrigerador

### ► Puerta derecha

1. Baje la puerta sobre el pasador de la bisagra del medio (10).
2. Coloque la bisagra superior (8) sobre la retención de la palanca de la bisagra (9) hasta que quede en su puesto. Inserte la palanca de la bisagra (7) debajo o de la retención de la palanca. Haga girar la palanca en la dirección contraria a las manecillas del reloj para asegurar la bisagra.
3. Instale el tornillo de conexión a tierra (6) y conecte los tres ameses de alambres (5).
4. Conecte el amés de alambres del interruptor de la puerta (2).
5. Enganche la lengüeta de la cubierta del lado de la puerta bajo el filo de la abertura para los alambres, en la parte superior del gabinete. Coloque la cubierta (3) en su puesto. Inserte y ajuste el tornillo de la cubierta (1).

### ► Puerta izquierda

1. Baje la puerta sobre el pasador de la bisagra del medio (10).
2. Coloque la bisagra superior (8) sobre la retención de la palanca de la bisagra (9) hasta que quede en su puesto. Inserte la palanca de la bisagra (7) debajo la retención de la palanca. Haga girar la palanca en la dirección de las manecillas del reloj para asegurar la bisagra.
3. Instale el tornillo de conexión a tierra (6) y conecte los tres ameses de alambres (5).
4. Conecte el amés de alambres del interruptor de la puerta (2).
5. Inserte la manguera de agua (4) en la tubería hasta que sólo se vea la marca graduada. (Inserte el tubo completamente, 5/8" (15 mm)).
6. Enganche la lengüeta de la cubierta del lado de la puerta (3) bajo el filo de la abertura para los alambres, en la parte superior del gabinete. Coloque la cubierta en su puesto. Inserte y ajuste el tornillo de la cubierta (1).





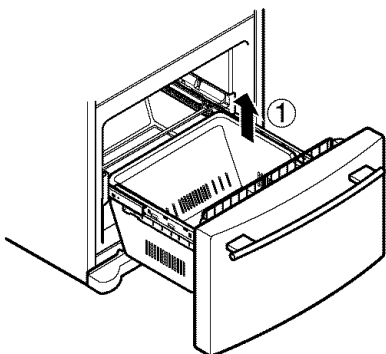
# INSTALACIÓN DEL REFRIGERADOR

## CÓMO RETIRAR E INSTALAR EL CAJÓN DESLIZABLE

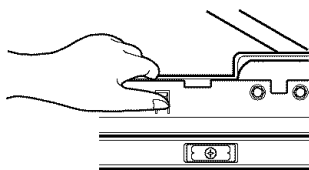
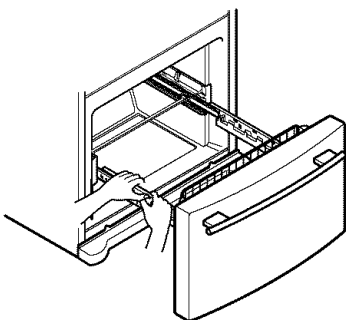
**IMPORTANTE:** Para evitar una posible lesión, daño al producto o a la propiedad, Ud. necesitará dos personas para ejecutar las instrucciones siguientes

### 1. Para Retirar el Cajón Deslizable

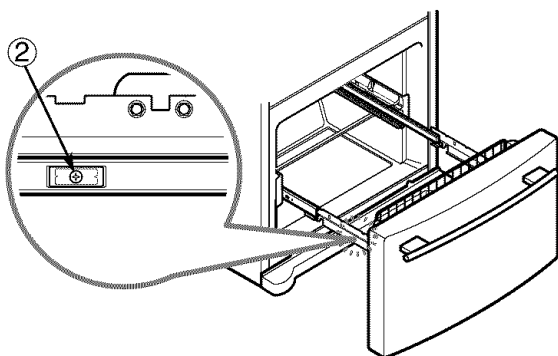
- Jale el cajón abierto al máximo. Retire la canasta inferior (1) levantándola del sistema de rieles.



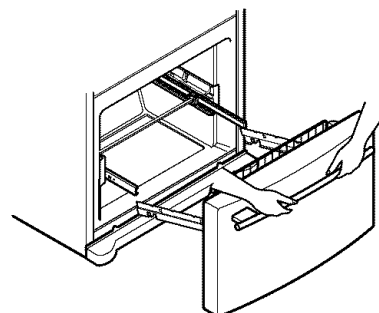
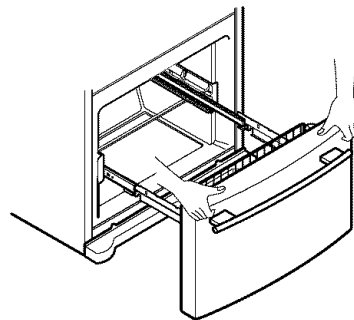
- Presione las dos perchas con los pulgares para elevarla.
- Separe la cubierta izquierda y derecha de la guía.



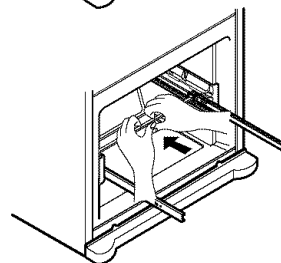
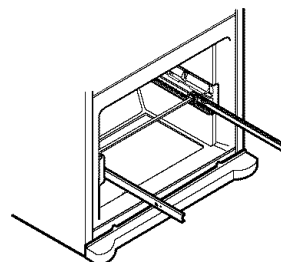
- Retire los tornillos(2) de ambos lados de la guía.



- Con ambas manos, sujete los dos lados de la puerta y tire hacia arriba para separarla .



- Con ambas manos, sujete el centro de la barra y empuje hacia dentro para que las dos guías encajen a la vez .



**▲ CUIDADO:** Cuando Ud. quite el cajón, no sostenga la agarradera. Si se sale, podría causar lesiones personales.

**▲ CUIDADO:** Al colocar el cajón en el piso, tenga cuidado de no dañar el piso y lesionarse el pie con las orillas afiladas en el lado de la bisagra.

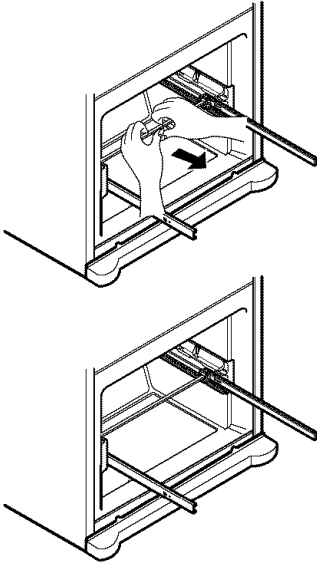
# INSTALACIÓN DEL REFRIGERADOR

## CÓMO RETIRAR E INSTALAR EL CAJÓN DESLIZABLE

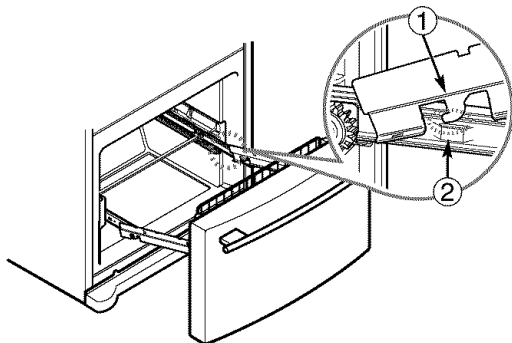
**IMPORTANTE:** Para evitar una posible lesión, daño al producto o a la propiedad, Ud. necesitará dos personas para ejecutar las instrucciones siguientes

### 2. Instalación del Cajón Deslizable

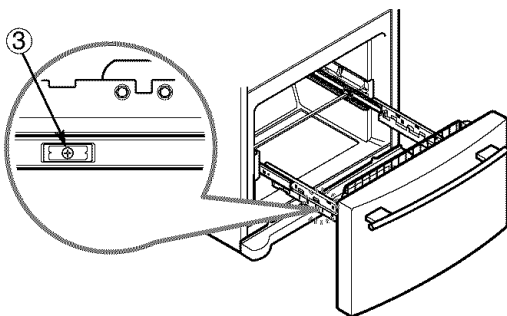
- Con ambas manos, sujete el centro de la barra y tire hacia fuera para que las dos guías salgan a la vez.



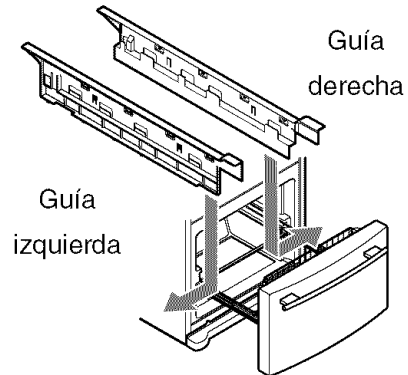
- Monte el conector de la puerta (1) a la percha de la guía (2).



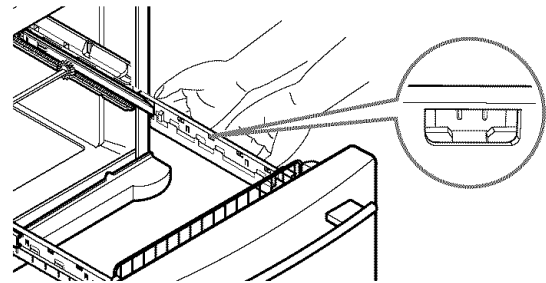
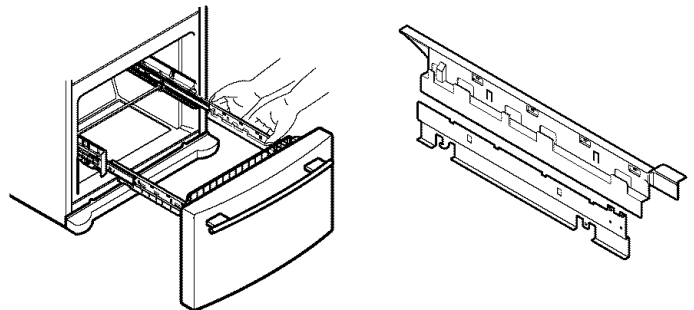
- Empuje hacia abajo y monte el conector de la puerta apretando los tornillos(3).



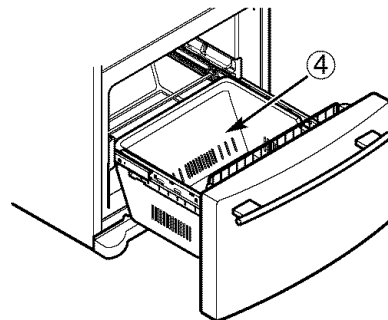
- Compruebe la parte izquierda y derecha de la guía de la cubierta.



- Alinee los orificios superiores de la cubierta de la guía con los orificios superiores del conector de la puerta para montar la guía de la cubierta .



- Con el cajón extraído en toda su extensión, inserte la canasta inferior (4) en el ensamble del riel hasta que no se mueva hacia adelante.



- ▲ **ADVERTENCIA:** Para prevenir riesgos de atrapamiento y sofocación accidental de niños y mascotas, NO les permita jugar dentro del cajón.
- ▲ **ADVERTENCIA:** NO se pare ni se siente sobre la puerta del congelador.

# INSTALACIÓN DEL REFRIGERADOR

## NIVELACIÓN Y ALINEACIÓN DE LA PUERTA

### Nivelación

Su refrigerador tiene dos tornillos de nivelación al frente - uno a la derecha y uno a la izquierda. Si su refrigerador parece inestable o si quiere que las puertas cierren más fácilmente, ajuste la inclinación del refrigerador usando las siguientes instrucciones:

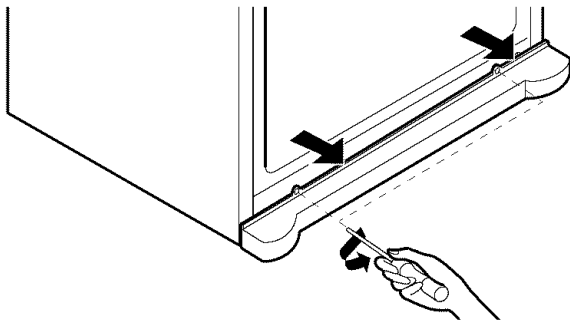
1. Conecte el cable de alimentación del refrigerador a una entrada de tres espigas que esté conectada a tierra. Mueva el refrigerador a su posición final.

#### Para remover la cubierta de la base

1. Abra la gaveta del refrigerador (La gaveta no se muestra por claridad)
2. Una vez abierta la gaveta, existe suficiente iluminación para remover los tornillos en el tope de la cubierta.

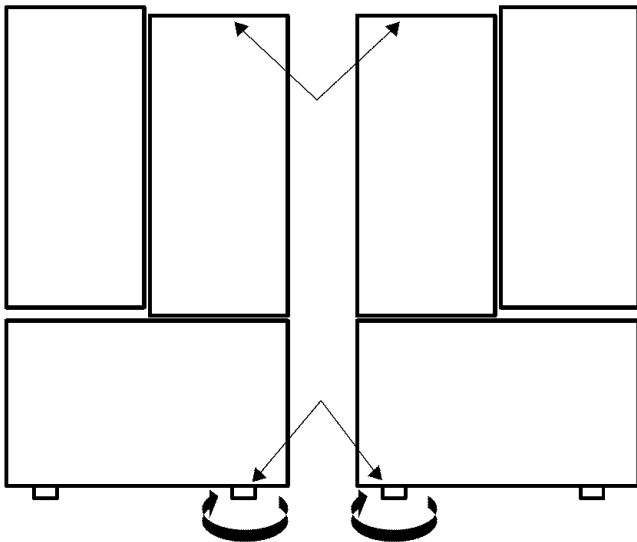
#### Para reemplazar la cubierta de la base

- Coloque la cubierta dentro de la posición e inserte y apriete los tornillos.



2. Gire el tornillo de nivelación en el sentido de las manecillas del reloj para elevar ese lado del refrigerador o en el sentido contrario a las manecillas del reloj para bajarlo. Puede requerir varias vueltas de los tornillos de nivelación para ajustar la inclinación del refrigerador.

**NOTA:** Hacer que alguien empuje contra la parte superior del refrigerador quita algo del peso aplicado a los tornillos de nivelación. Esto hace más fácil ajustarlos.



3. Abra ambas puertas otra vez, para asegurarse que cierren fácilmente. Si no, incline el refrigerador un poco más hacia atrás girando ambos tornillos en el sentido de las manecillas del reloj. Puede requerir varias vueltas más, y usted debería hacer girar la misma cantidad a ambos tornillos niveladores.

4. Reajuste si fuera necesario.

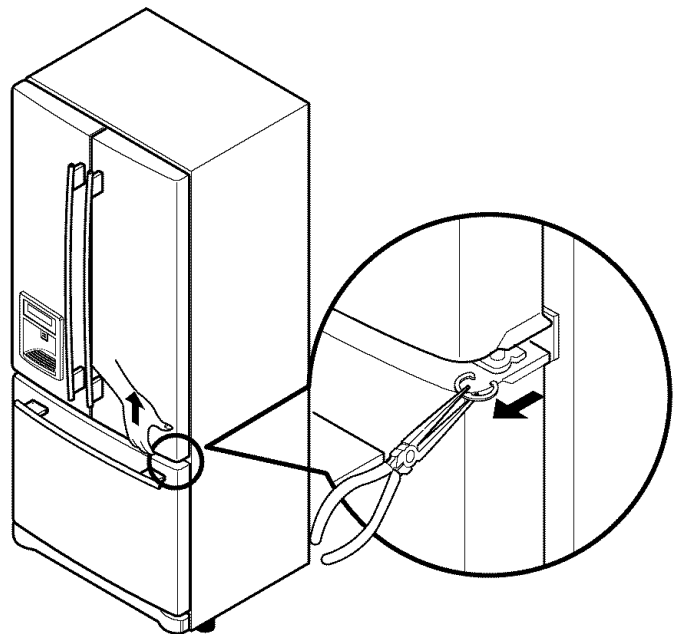
5. Reemplazar la cubierta de la base

**NOTA:** Su nuevo refrigerador está diseñado de una forma única con dos puertas para alimentos frescos. Cualquiera de las puertas puede ser abierta o cerrada independientemente de la otra. Debe ejercer una ligera presión sobre la puerta para lograr cerrarla completamente.

### Alineación de la Puerta

Si el espacio entre sus puertas es desigual, siga las instrucciones a continuación para alinear las puertas:

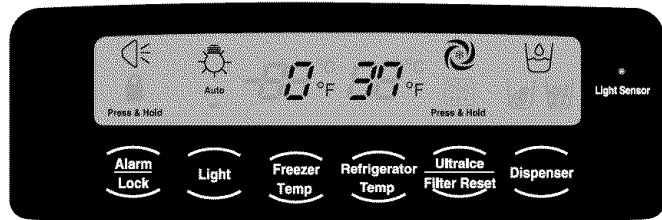
1. Con una mano, levante la puerta que desee para aumentar a la bisagra media.
2. Con la otra mano, use los alicates para insertar el anillo de retención como se muestra.
3. Inserte los anillos de retención adicionales hasta que las puertas se alineen. (son suministrados tres anillos de retención con la unidad)



## CONFIGURACIÓN DE CONTROLES

### Temperatura

- Su frigorífico cuenta con una panel de control en el dispensador que le permite regular la temperatura de los compartimentos del congelador y el frigorífico.
- Configure inicialmente el CONTROL DEL FRIGORÍFICO a 37°F (3°C), y el CONTROL DEL CONGELADOR a 0°F (-18°C). Mantenga la unidad con esta configuración durante 24 horas (un día) para que se establezca. A continuación, ajuste la temperatura del compartimento como desee.



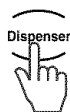
- Cada vez que presione el botón de ajuste de temperatura del congelador, ésta cambiará en orden circulante de "0"→"-1"→"-2"→"-3"→"-4"→"-6"→"-8"→"-6"→"5"→"4"→"3"→"2"→"1"→"0".
- Cada vez que presione el botón de ajuste de temperatura del frigorífico, ésta cambiará en orden circulante de "37"→"36"→"35"→"34"→"33"→"46"→"45"→"44"→"43"→"42"→"41"→"40"→"39"→"38"→"37".

### MÁS HIELO

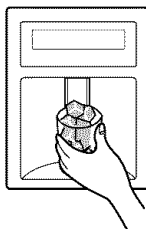
- Al presionar el botón "ICE PLUS", se encenderá el símbolo [⊗] en pantalla y continuará encendido durante 24 horas. Se apagará automáticamente después de 24 horas. O puede cesar manualmente la función presionando el botón una vez más.
- Esta función incrementa las capacidades de congelación y elaboración de hielo.

### Dispensación

- Puede seleccionar entre agua, hielo picado o cubitos de hielo presionando el botón .



- Podría experimentar algo de goteo tras la dispensación. Recomendamos mantener el vaso bajo el dispensador durante algunos segundos extra.



**Nota:** El dispensador no funcionará si cualquiera de las puertas permanece abierta

### Filtro

- Restaurar el filtro : Cuando se enciende la FILTER RESET icono, debe cambiar el filtro de agua. Presione el botón FILTER RESET por 3 segundos para apagar la icono. Necesita cambiar el filtro de agua cada 6 meses aproximadamente.

**⚠ ADVERTENCIA:** Si abre la puerta, el dispensador no funciona.

### Luz / Sensor de luz

- Si la luz ha sido establecida en modo "Auto", la luz del dispensador se encenderá y apagará automáticamente según el brillo presente en la habitación, detectado por el sensor de luz.

### Alarma

- Cuando el frigorífico esté conectado al suministro eléctrico, la alarma de la puerta estará inicialmente establecida en OFF (apagada) y su pantalla mostrará . Al tocar el botón , la pantalla pasará a , y la función de la alarma de la puerta se activará.
- Si deja la puerta del frigorífico o del congelador abierta durante más de 60 segundos, la alarma se activará indicando este descuido.
- Al cerrar la puerta, la alarma se desactivará inmediatamente.
- Si desea desactivar la función de la alarma de la puerta, presione el botón ; a continuación la pantalla de la alarma pasará a .

### Bloquear

- Al conectar inicialmente el frigorífico al suministro eléctrico, la función Bloqueo se apagará.
- Si desea activar la función Bloqueo a fin de bloquear otros botones, mantenga presionado el botón durante 3 segundos o más. La señal se mostrará, y la función Bloqueo estará habilitada.
- Mientras la función Bloqueo esté habilitada, sólo funcionará el botón , incluyendo el botón del dispensador.
- Mantenga presionado el botón durante 3 segundos o más para deshabilitar la función Bloqueo.

### Función del interruptor de modo de temperatura (°F↔°C)

- si desea convertir °F en °C o viceversa, mantenga presionado el botón y el simultáneamente durante 5 segundos o más.

## ASEGURAR LA CORRECTA CIRCULACIÓN DEL AIRE

No obstruya los conductos de aire con objetos o comida, a fin de asegurar una correcta circulación del aire y evitar la pérdida de comida debido a la falta de aire frío.

## ⚠ PRECAUCIONES

Tras la instalación, deseche los primeros 20 cubitos de hielo y los primeros 7 vasos de agua del dispensador. Esto también resulta recomendable después de no utilizar el frigorífico durante un largo período de tiempo.

### **Mantener a los niños alejados del dispensador.**

Los niños podrían dañar los controles durante sus juegos.

**Almacenar latas u otros elementos en el depósito de hielo podría dañar el mecanismo.**

**No utilice nunca vasos de cristal demasiado fino o loza para recoger los cubitos de hielo.**

Este tipo de vasos o recipientes podrían romperse con facilidad.

**Antes de dispensar agua, recoja los cubitos en un vaso.**

Si lo hace de otra forma, el agua salpicará todo...

**Mantenga las manos y herramientas fuera de la puerta y el conducto de paso del hielo.**

Podría romper algo o sufrir lesiones personales.

**Agite periódicamente el depósito de hielo para nivelar los cubitos.**

En ocasiones los cubitos tienden a apilarse cerca del mecanismo, provocando una lectura defectuosa del nivel de hielo y, consecuentemente, el cese de la elaboración de cubitos.

**No utilice vasos demasiado estrechos o profundos.**

El hielo podría atascarse en el interior del conducto de paso del hielo y averiar el frigorífico.

**Mantenga el vaso a una distancia adecuada del conducto de paso del hielo.**

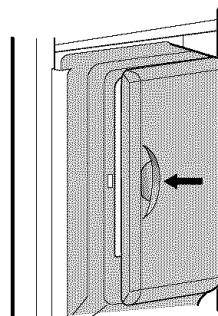
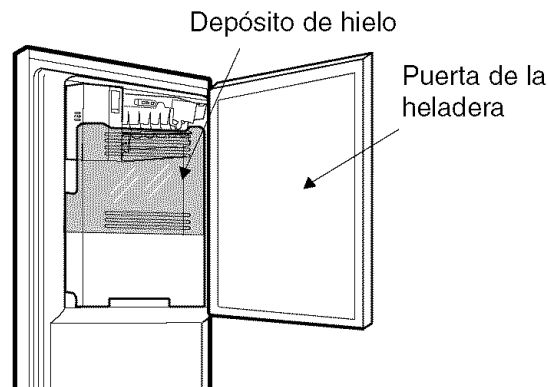
Colocar un vaso demasiado cerca de la salida podría impedir su dispensación.

**Mantenga la puerta de acceso al depósito de hielo bien cerrada tras abrirla.**

Si no la cerrara correctamente, el aire frío se escaparía irremediablemente de la heladera, hacia el frigorífico, y congelaría los demás alimentos. Esto podría provocar que el mecanismo dejara de elaborar hielo.

**Cierre la puerta del sitio del hielo hasta escuchar el sonido "flick".**

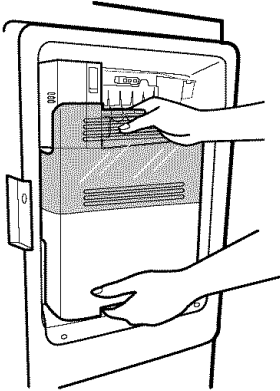
Si la puerta no se cerrara correctamente, el hielo del sitio del hielo podría derretirse, o podría formarse escarcha y carámbanos de hielo en el interior del frigorífico.



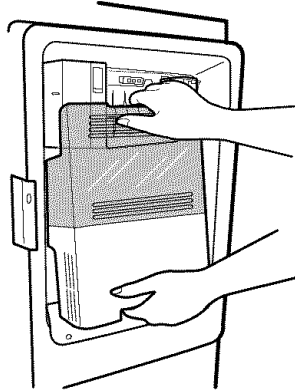
## INSTRUCCIONES DE USO DE LA NUEVA PUERTA DEL DEPÓSITO DE HIELO

La máquina de hielo dejará de elaborar hielo cuando el depósito esté lleno. Si necesita más hielo, utilice el depósito extra en el congelador a fin de que la máquina de cubitos pueda seguir elaborando hielo.

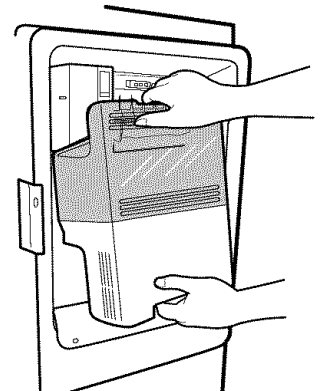
### Cómo desmontar la puerta del depósito de hielo



1. Agarre el tirador como muestra la imagen.

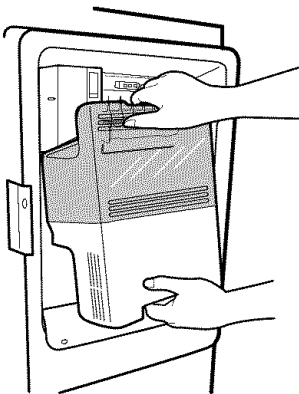


2. Levante ligeramente la parte inferior.

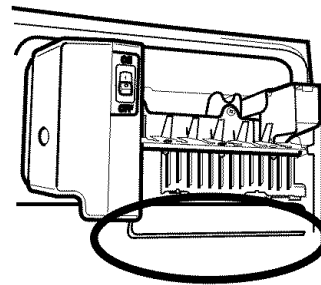


3. Extraiga lentamente el depósito de hielo.

### Cómo volver a instalar la puerta del depósito de hielo



1. Sustituya el depósito de hielo inclinándolo levemente para evitar tocar el mecanismo de elaboración de hielo.



\* Evite tocar el brazo de apagado automático al sustituir el depósito.

## AJUSTE DE LOS CONTROLES

Dé al refrigerador tiempo para enfriarse completamente antes de hacer los ajustes finales. Es mejor esperar 24 horas antes de hacer esto. Las opciones medias indicadas en la sección previa deberían ser correctas para uso del refrigerador a nivel doméstico. Los controles están correctamente ajustados cuando la leche o el jugo están tan fríos como a Ud. le gusta y cuando el helado está firme.

El control del refrigerador funciona como si fuera el termostato de todo el aparato (secciones del refrigerador y congelador). A mayor número de la selección, más tiempo funcionará el compresor para mantener la temperatura más fría. El control del congelador ajusta el flujo de aire frío desde el congelador al refrigerador. Ajustar el control del congelador a una temperatura más baja mantiene más aire frío en el compartimiento del congelador para hacerlo más frío.

Si usted necesita ajustar las temperaturas en el refrigerador o en el congelador, comience por ajustar la del refrigerador. Luego espere 24 horas antes de verificar las temperaturas del congelador. Si está demasiado caliente o demasiado frío, entonces ajuste el control del congelador.

Use las configuraciones listadas en la tabla siguiente como una guía. **Recuerde siempre esperar al menos 24 horas entre ajustes.**

CONDICIÓN/RAZÓN:	AJUSTE RECOMENDADO:
<ul style="list-style-type: none"> <li>■ Sección del REFRIGERADOR demasiado abrigada</li> <li>– Puerta abierta con frecuencia</li> <li>– Gran cantidad de alimentos agregados</li> <li>– Temperatura de la habitación muy caliente</li> </ul>	<p>Ajuste el control del REFRIGERADOR al siguiente nivel inferior, espere 24 horas, luego vuelva a checar</p>
<ul style="list-style-type: none"> <li>■ Sección del CONGELADOR demasiado abrigada/se demora mucho en hacer hielo</li> <li>– Puerta abierta con frecuencia</li> <li>– Gran cantidad de alimentos agregados</li> <li>– Temperatura de la habitación muy caliente (no puede hacer ciclos con suficiente frecuencia)</li> <li>– Uso de hielo muy frecuente</li> <li>– Rejillas de aire bloqueadas por artículos</li> </ul>	<p>Ajuste el control del CONGELADOR al siguiente nivel inferior, espere 24 horas, luego vuelva a checar</p> <p>Mueva los artículos fuera de la corriente de aire</p>
<ul style="list-style-type: none"> <li>■ Sección de REFRIGERADOR demasiado fría</li> <li>– Controles no fijados correctamente para sus condiciones</li> </ul>	<p>Ajuste el control del REFRIGERADOR al siguiente nivel superior, espere 24 horas, luego vuelva a checar</p>
<ul style="list-style-type: none"> <li>■ Sección del CONGELADOR demasiado fría</li> <li>– Controles no fijados correctamente para sus condiciones</li> </ul>	<p>Ajuste el control del CONGELADOR al siguiente nivel superior, espere 24 horas, luego vuelva a checar</p>

## GUÍA DE ALMACENAMIENTO DE ALIMENTOS

Envuelva o almacene alimentos en el refrigerador en materiales herméticos y a prueba de humedad a menos que se indique de otra forma. Esto evita que el olor y el sabor de los alimentos se transfieran por todo el refrigerador. Para productos fechados, verifique el código de fecha para asegurar la frescura.

Artículos	Cómo
<b>Mantequilla o Margarina</b>	▶ Mantenga la mantequilla abierta en un plato cubierto o en un compartimiento cerrado. Al guardar una cantidad extra, envuélvala en empaques para congelar y congele.
<b>Queso</b>	▶ Almacene en el empaque original hasta que Ud. esté listo para usarlo. Una vez abierto, vuelva a envolver herméticamente en envoltura plástica u hoja de aluminio.
<b>Leche</b>	▶ Limpie las cajas de leche. Para mejor almacenamiento, coloque la leche en un anaquel interior, no en el anaquel de la puerta.
<b>Huevos</b>	▶ Guarde la caja para huevos en el cartón original o en una percha interior, no en una percha de la puerta.
<b>Frutas</b>	▶ Lave, deje secar, y guarde en el refrigerador en bolsas de plástico o en el recipiente para hortalizas frescas. No lave ni quite la cáscara a las bayas (fresas y similares) hasta que Ud. esté listo para usarlas. Clasifique y manténgalas en su envase original en un recipiente para frutas frescas, o guárdelas en una bolsa de papel ligeramente abierta en un anaquel del refrigerador.
<b>Hortalizas de Hoja</b>	▶ Retire la envoltura de la tienda y corte o arranque las áreas maltratadas y descoloridas. Lave en agua fría y deje secar. Coloque en bolsa de plástico o recipiente de plástico y guarde en un recipiente para hortalizas frescas.
<b>Pescado</b>	▶ Use el pescado y marisco fresco el mismo día que lo compró.
<b>Hortalizas con cáscara (zanahorias, pimientos)</b>	▶ Coloque en bolsas de plástico o recipiente de plástico y guarde en un recipiente para hortalizas frescas.
<b>Sobras</b>	▶ Cubra las sobras con envoltura plástica u hoja de aluminio. También se pueden usar contenedores plásticos con tapas herméticas.

## COMO GUARDAR ALIMENTOS CONGELADOS

**NOTA:** Para mayor información sobre preparación de alimentos para congelar o sobre tiempos de almacenaje de alimentos, verifique una guía de congelación o un libro de cocina confiable.

### Empacado

La congelación exitosa depende del empaque correcto. Cuando Ud. cierre y selle el paquete, éste no debe permitir que pase aire o humedad hacia adentro o afuera. Si lo hace, podría tener transferencias de olor y sabor de la comida por todo el refrigerador y también se puede secar la comida congelada.

### Recomendaciones de empaque

- Contenedores de plástico rígido con tapas de cierre hermético.
- Jarras para enlatar/congelar de paredes verticales rectas
- Papel aluminio de uso pesado
- Papel recubierto con plástico
- Envolturas de plástico no permeable
- Bolsas de plástico auto-sellantes con especificación de tipo para congelador

Siga las instrucciones del recipiente o del empaque para los métodos de congelación apropiados.

### No use

- Envolturas para pan
- Recipientes de plástico que no sean de polietileno
- Recipientes sin tapas herméticas
- Envoltura para congelador recubierta de cera o papel encerado
- Envoltura delgada semipermeable

**▲ CUIDADO:** No mantenga latas ni envases plásticos de bebidas en el compartimiento del congelador. Ellos se pueden romper cuando se congelan.

### Congelación

Su congelador no congelará rápidamente cualquier cantidad grande de alimentos. No coloque más alimentos sin congelar en el congelador que los que se podrán congelar en un plazo de 24 horas (no más de 2 a 3 libras de alimentos por pie cúbico de espacio en el congelador). Deje suficiente espacio en el congelador para que el aire circule alrededor de los paquetes. Tenga cuidado de dejar espacio suficiente al frente de manera que la puerta pueda cerrar herméticamente.

Los tiempos de guardado variarán de acuerdo con la calidad y tipo de alimento, el tipo de empaque o envoltura usados (a prueba de humedad y hermético al aire) y la temperatura de almacenamiento. Los cristales de hielo dentro de un paquete sellado son normales. Esto simplemente significa que la humedad del alimento y del

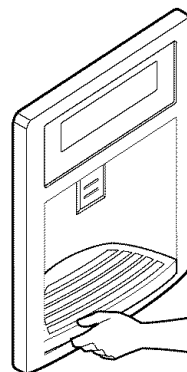
aire dentro del paquete se ha condensado, creando cristales de hielo.

**NOTA:** Permita que los alimentos calientes se enfríen a la temperatura de la habitación durante unos 30 minutos, luego empaque y congele. Enfrir los alimentos calientes antes de congelar ahorra energía.

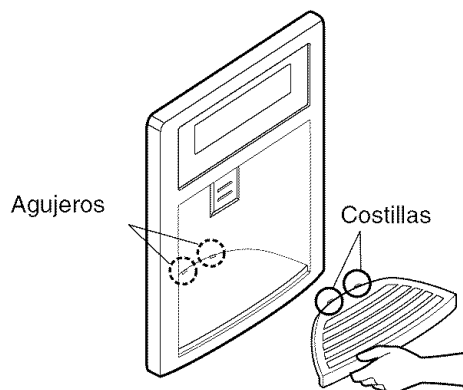
## SECCIÓN REFRIGERADOR

### DISPENSADOR DEL AGUA

La bandeja puede ser quitada fácilmente presionándolo y tirando.



Incline encima del frente de la bandeja levemente y encaje a presión las costillas hacia los agujeros para substituir la bandeja.





## ANAQUELES DEL REFRIGERADOR

Los anaqueles de su refrigerador son ajustables para satisfacer sus necesidades individuales de almacenamiento. Su modelo puede tener anaqueles de cristal o de alambre.

Guardar artículos de alimentos similares juntos en su refrigerador y ajustar los anaqueles para adaptarlos a las diferentes alturas de los artículos hará más fácil que Ud. encuentre el artículo exacto que quiere, reducirá también el tiempo que la puerta del refrigerador esté abierta, ahorrando energía.

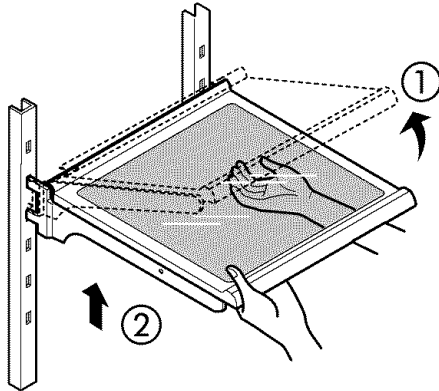
**IMPORTANTE:** No limpie los anaqueles de cristal con agua tibia cuando estén fríos. Los anaqueles se pueden romper si son expuestos a cambios de temperatura repentinos o a impactos, tales como golpes. Para su protección, los anaqueles de cristal son fabricados con vidrio templado, el cual se romperá en pedazos del tamaño de un guijarro.

**NOTA:** Los anaqueles de cristal son pesados. Tenga especial cuidado al retirarlos para evitar dejarlos caer.

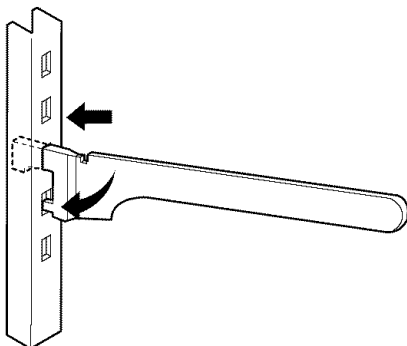
### Ajuste de los Anaqueles

Retire los anaqueles de la posición de embarque y vuelva a colocarlos en la posición que Ud. desee.

- **Para retirar un anaquel**—Incline hacia arriba el frente del anaquel en la dirección de (1) y levántelo en la dirección de (2). Jale el anaquel hacia afuera.



- **Para volver a colocar un anaquel**—Incline el frente del anaquel hacia arriba y guíe los ganchos del anaquel dentro de las ranuras a una altura deseada. Luego baje el frente del anaquel de forma que los ganchos encajen dentro de las ranuras.

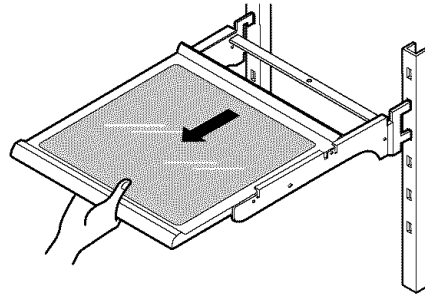


- ▲ **CUIDADO:** Asegúrese de que los anaqueles estén nivelados de un lado al otro. La falla en hacer esto puede resultar en la caída del anaquel o en derrames de los alimentos.

### Deslizando los anaqueles hacia afuera

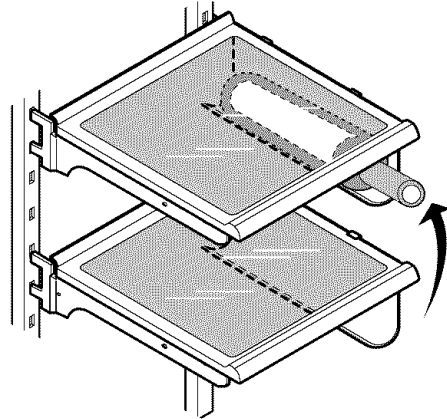
Ud. puede deslizar los anaqueles de cristal hacia adentro y afuera de su refrigerador como sigue:

- **Para deslizar el anaquel hacia afuera**, con cuidado jale el frente del anaquel hacia Ud.
- **Para deslizar el anaquel hacia adentro**, empuje el anaquel hacia adentro hasta que se detenga.

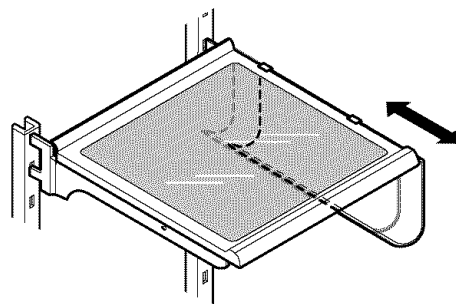


### SOPORTE PARA VINO (Solamente 795.7757\* Modelo)

Las botellas se pueden almacenar lateralmente con este soporte para vino. Éste puede ser sujetado a cualquier anaquel.

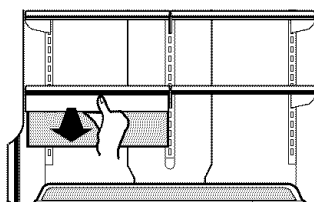


El soporte para vino puede ser sacado, jalándolo derecho hacia fuera, e instalado, colocándolo en el extremo del anaquel que Ud. quiera y empujándolo hacia adentro.



## BANDEJAS DE APERITIVOS

Mientras sujeta el Chef Fresh con una mano, extráigalo levemente hacia delante.

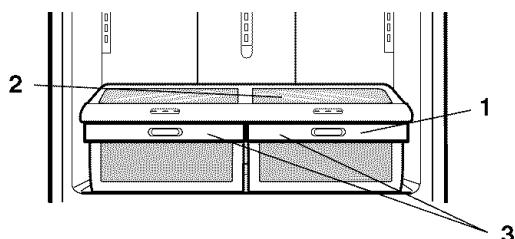


## CAJONES SUPER FRESCOS CON COMPARTIMIENTOS INCLINABLES

### Cajones con compartimientos inclinables

Los cajones hacen mas frescos los vegetales y frutas, permitiéndole controlar fácilmente la humedad dentro de los cajones. Los cajones Optibin incluyen:

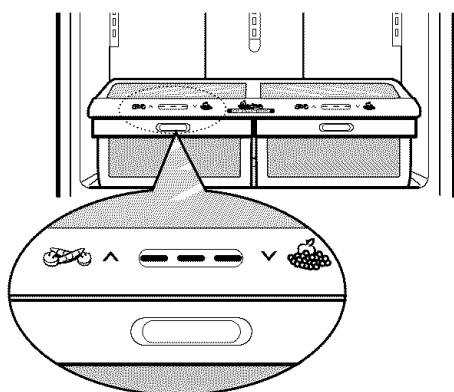
1. Un control de humedad.
2. Un sistema que permite mantener o liberar la humedad.
3. Un compartimiento inclinable al frente del cajón.



## CONTROL DE HUMEDAD DE LOS CAJONES

Ud. puede controlar la cantidad de humedad en los cajones, ajustando el control en cualquier posición entre ^ y v .

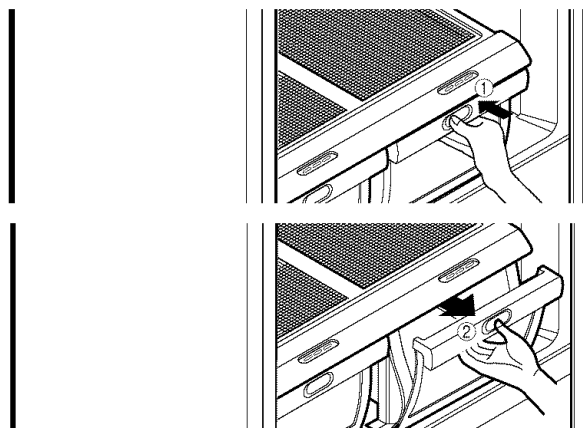
- ^ mantiene la mayor cantidad de aire en el cajón para la mejor conservación de vegetales frescos.
- v permite que el aire salga del cajón de vegetales para la mejor conservación de frutas.



## CAJON CON COMPARTIMIENTO INCLINABLE

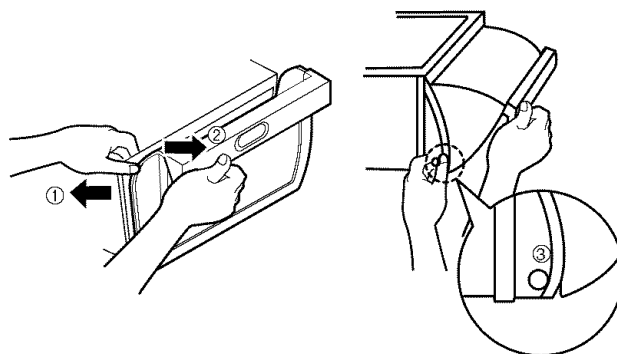
### Compartimiento inclinable

El compartimiento inclinable al frente del cajón es para lograr el mejor almacenamiento con baja humedad como en manzanas y naranjas. El frente del compartimiento es transparente, lo que permite ver el contenido. Presione el botón al frente para abrirlo.



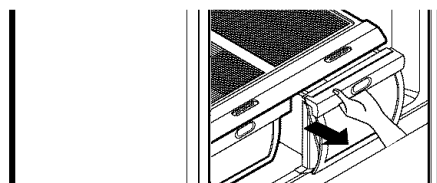
### Para quitar las puertas móviles del cajón de vegetales

1. Levante la puerta tan alto como se pueda abrir.
2. Usando sus manos, presione la bisagra de plástico hacia el centro de la puerta.
3. Levante la puerta y quítela.
4. Para volver a colocar, realice los pasos en orden inverso.



### PARA RETIRAR EL RECIPIENTE PARA HORTALIZAS

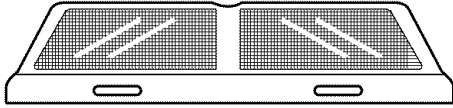
1. Deslice el cajón hacia afuera hasta que tope.
2. Levante la parte frontal del cajón, jale para sacarlo.
3. Vuelva a colocar el cajón, deslizándolo hacia adentro hasta pasar los topes.



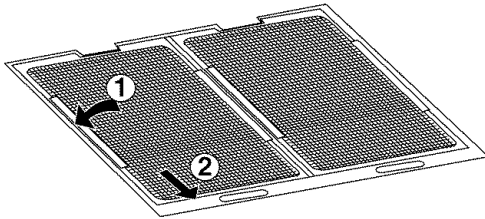
## CUBIERTA DE LOS CAJONES CON REJILLA INTERIOR

**PRECAUCION:** Tenga cuidado cuando maneje la cubierta de vidrio, ya que esta se puede soltar.

### Para quitar la rejilla interior

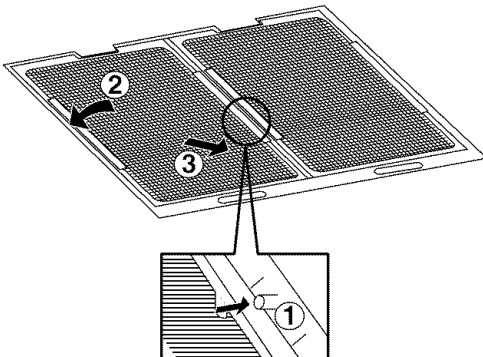


1. Quite la cubierta como se ilustra arriba.
2. Sostenga el vidrio y gire la cubierta de los cajones.
3. Sostenga la rejilla y jale los lados de la cubierta de los cajones hacia fuera para quitarlas.



### Para volver a colocar las rejillas interiores

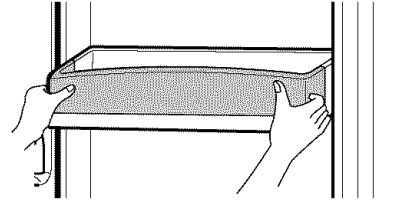
1. Para cada rejilla, inserte la ceja central 1 (cerca de la cubierta de vidrio) y jale los lados de la cubierta para insertarla.
2. Deslice la cubierta del marco de nuevo en el refrigerador y asegúrelo en el soporte del marco.
3. Coloque la cubierta de vidrio otra vez sobre el marco.



## MODULAR DOOR BIN

Los recipientes de las puertas son removibles para fácil limpieza y ajuste.

1. Para sacar el recipiente, simplemente levántelo hacia arriba y jale hacia afuera.
2. Para volver a colocar el recipiente, deslícelo por encima del botón de apoyo deseado y presione hacia abajo hasta que se detenga.

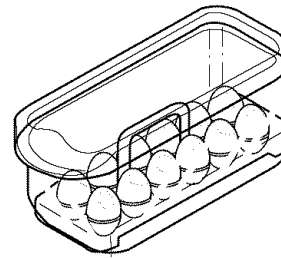


- ▲ **ADVERTENCIA:** Alguien puede resultar herido si los recipientes de la puerta no están firmemente ensamblados.
- ▲ **NOTA:** NO ajuste un recipiente que esté cargado de alimentos.
- ▲ **CUIDADO:** NO permita que los niños jueguen con las canastas. Las esquinas filosas de las canastas podrían lesionarlos.

## COMPARTIMIENTO PARA HUEVOS

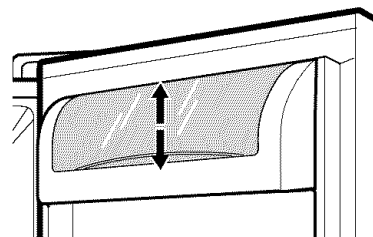
Guarde la caja para huevos en una percha interior, no en una percha de la puerta.

- ▲ **CUIDADO:** No use la caja para huevos como un recipiente para guardar hielo en el compartimiento del congelador. Si se congela, la caja para huevos puede romperse fácilmente.



## COMPARTIMIENTO PARA LÁCTEOS

1. Para retirar el recipiente para lácteos, simplemente levántelo y jálelo recto hacia afuera.
2. Para volver a colocar el recipiente para lácteos, deslícelo por encima de la ubicación deseada y empuje hacia abajo hasta que se detenga.



## SECCIÓN CONGELADOR

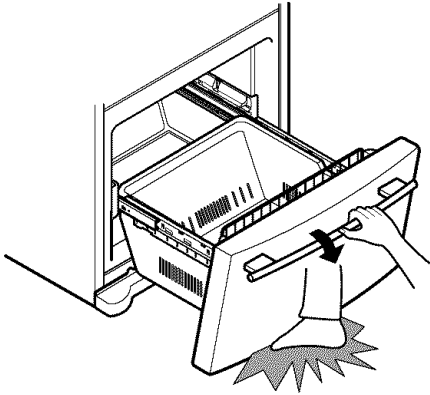
### PUERTA INCLINABLE

La puerta inclinable provee de un fácil acceso a los alimentos congelados.

#### Cómo usar

Incline la puerta hacia abajo y jale hacia afuera.

▲ **PRECAUCIÓN:** Tenga cuidado al abrir la puerta, se puede lastimar un pie.



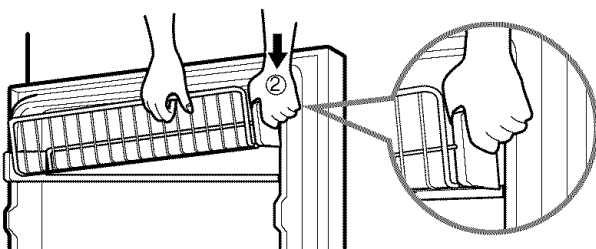
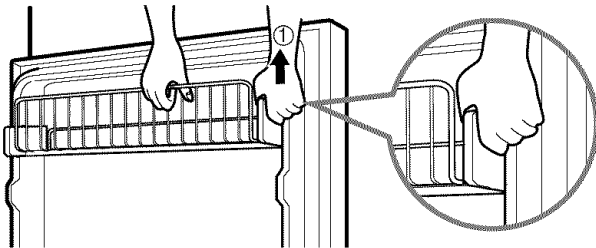
### CANASTO INCLINABLE

#### Para remover el canasto

1. Tire uno de los soportes hacia abajo.
2. Remueva el canasto de los ambos soportes.

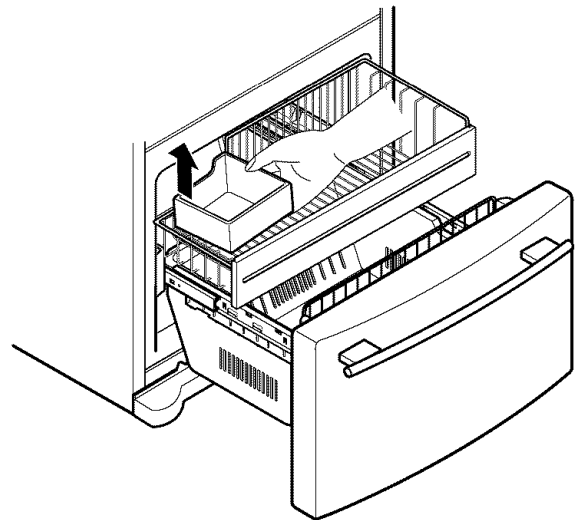
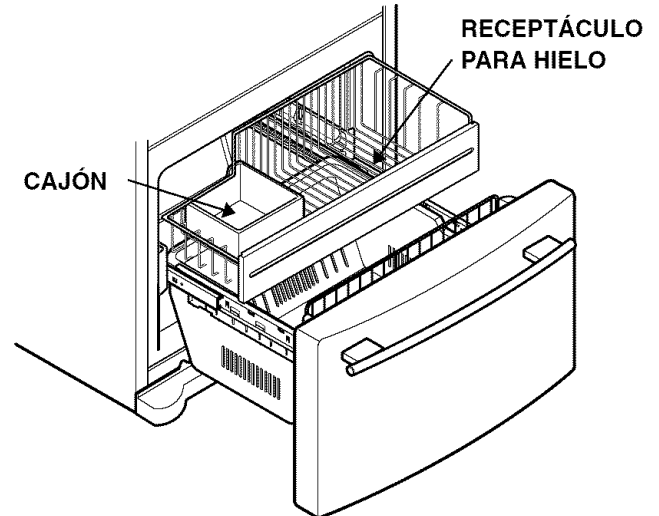
#### Para reemplazar el canasto

1. Inserte el canasto dentro de un lado. Enganche el extremo del canasto dentro del soporte.
2. Enganche otro extremo del canasto dentro del otro soporte. Empuje el canasto abajo dentro del lugar.
3. Asegúrese de que la parte posterior del canasto quede detrás de la lengüeta de retención sobre cada soporte.



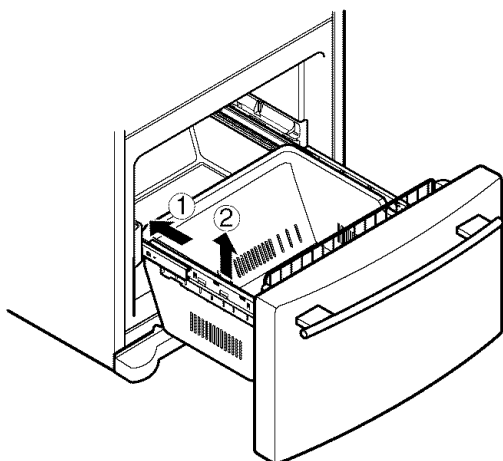
### RECIPIENTE PARA HIELO

1. Para separar el receptáculo para hielo, saque el cajón tanto como sea posible.
2. Levante y extraiga con cuidado el receptáculo para hielo.
3. Para reinstalar, extraiga el cajón tanto como sea posible y coloque el receptáculo para hielo en la posición correcta. A continuación, empuje hacia dentro el cajón.



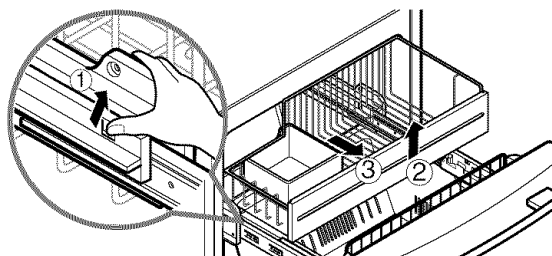
## DURABASE

1. Para retirar la Durabase (Base durable), empújela hacia atrás tanto como sea posible. Incline el frente de la Durabase hacia arriba y jale recto hacia afuera.
2. Para instalar, inserte la Durabase en el ensamble de los rieles.



## CAJÓN REMOVIBLE

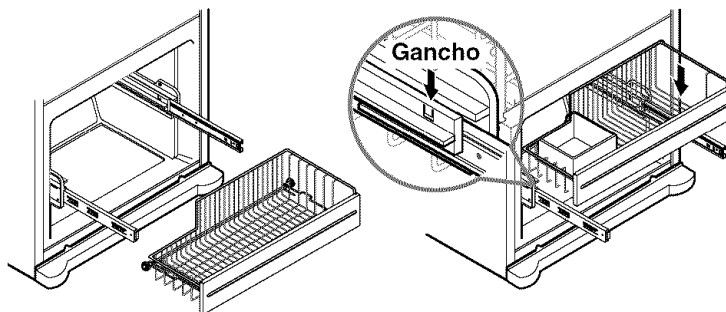
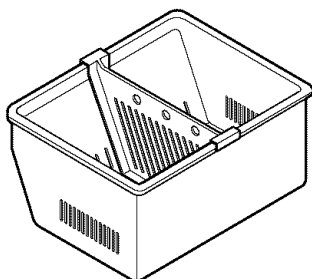
Para separar el cajón, empuje hacia dentro los ganchos frontales izquierdo y derecho en la dirección ① para tirar hacia arriba y extraer. A continuación, levante con cuidado la parte del engranaje del lado posterior izquierdo y derecho del cajón y tire de él en la dirección ③.



Para reinstalar, coloque la parte del engranaje del lado izquierdo y derecho del cajón, una vez extraídos ambas guías tanto como sea posible, y empuje hacia abajo con cuidado tanto el lado izquierdo como el derecho sin perder de vista el gancho de la parte frontal.

## DIVISOR DE LA DURABASE

El divisor de la Durabase le permite organizar el área de la Durabase en secciones.

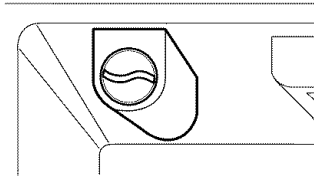


1. Para retirar, jale el divisor derecho hacia arriba.
2. Para instalar, enganche las esquinas superiores del divisor sobre el borde superior de la Durabase.

**▲ ADVERTENCIA:** Cuando la guía del cajón del congelador es retirada, los niños pueden arrastrarse hacia adentro.

## FILTRO DE AGUA

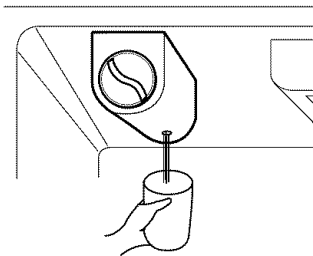
Se recomienda que se cambie el filtro cuando la icono del indicador del filtro de agua se enciende o cuando el rendimiento de su dispensador de agua o de hacer hielo decae notablemente.



Después de cambiar el cartucho del filtro de agua, restaure la pantalla de estado del filtro de agua y la icono del indicador presionando y manteniendo pulsado por 3 segundos.

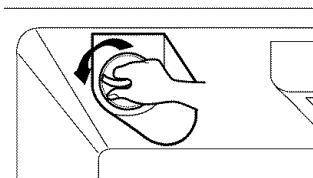
### 1. Extracción del cartucho usado.

Coloque un recipiente bajo el orificio del soporte del filtro.

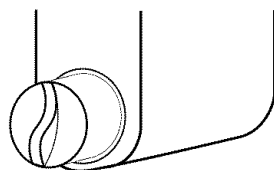


**NOTA:** Al desmontar el filtro, el agua se drenará a través de dicho orificio.

Gire hacia la izquierda el mando del cartucho (elemento filtrante).

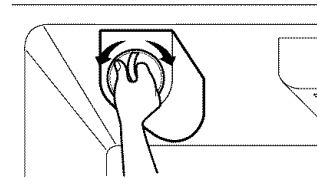


Extraiga el cartucho del filtro.



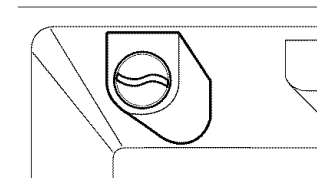
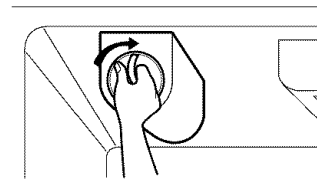
### 2. Reemplace con un cartucho nuevo.

Toma el cartucho nuevo de su empaque y retire la cubierta protectora de los anillos tóricos. Con la manija del cartucho en la posición vertical, empuje el nuevo cartucho de filtro dentro de la cubierta hasta que se detenga.



Si no puede girar el filtro de lado a lado, éste no está completamente insertado. Empújalo firmemente y utilice sus manijas.

Usando sus manijas, tuerza el cartucho una cuarta vuelta al sentido del reloj. Escuchará un sonido cuando se acomode a su lugar.



### 3. Vaciar el Sistema de Agua después del Reemplazamiento del Filtro.

Dispense el agua a través del dispensador por 3 minutos para vaciar el sistema.

**NOTA:** Para ordenar un filtro de agua de repuesto llame al 1-800-4-MY-HOME®. Pida la parte número 9990.

## ⚠ ADVERTENCIA



### Riesgo de Explosión

Use un limpiador no inflamable.  
La falla en hacer esto puede resultar en muerte, explosión, o incendio.

Tanto las secciones del refrigerador y congelador descongelan automáticamente. Sin embargo, limpie ambas secciones aproximadamente una vez al mes para evitar olores. Seque los derrames inmediatamente.

## CONSEJOS GENERALES DE LIMPIEZA

- Desenchufe el refrigerador o desconecte la corriente.
- Retire todas las partes removibles, tales como anaqueles, recipientes, etc. Consulte las secciones en Usando Su Refrigerador para ver las instrucciones sobre cómo retirar.
- Use una esponja para limpiar o paño suave y un detergente ligero en agua tibia. No use limpiadores abrasivos o fuertes.
- Lave a mano, enjuague y seque toda la superficie a fondo.
- Enchufe el refrigerador o reconecte la corriente.

## PARTE EXTERIOR

Encerar las superficies de metal pintadas del exterior ayuda a suministrar protección contra la corrosión. No aplique cera a las partes plásticas. Encere las superficies de metal pintadas al menos dos veces por año usando cera para electrodomésticos (o cera en pasta para automóviles). Aplique la cera con un paño suave y limpio. Para productos con un exterior de acero inoxidable, use una esponja limpia o un paño suave y un detergente ligero en agua tibia. No use limpiadores fuertes o abrasivos. Seque a fondo con un paño suave.

## PAREDES INTERNAS (deje que el congelador se caliente para que el paño no se quede pegado)

Para ayudar a eliminar los olores, usted puede lavar el interior del refrigerador con una mezcla de bicarbonato de sodio y agua tibia. Mezcle 2 cucharadas de bicarbonato de sodio con un cuarto de agua (26 Gramos de bicarbonato de sodio para un litro de agua). Asegúrese de que el bicarbonato de sodio esté completamente disuelto de manera que no raye las superficies del refrigerador.

⚠ **CUIDADO:** No rocíe agua al limpiar el interior.

## REVESTIMIENTOS Y EMPAQUES DE LA PUERTA

En las partes de plástico del refrigerador no use ceras limpiadoras, detergentes concentrados, blanqueadores, o limpiadores que contengan petróleo.

## PARTES PLÁSTICAS (cubiertas y paneles)

No use sprays limpiadores de ventanas, limpiadores abrasivos, ni fluidos inflamables. Estos pueden rayar o dañar el material.

## REEMPLAZO DEL FOCO

## ⚠ ADVERTENCIA

### Peligro de Choque Eléctrico

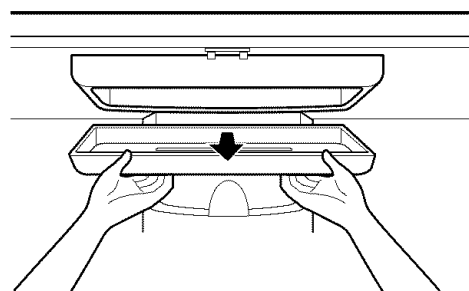
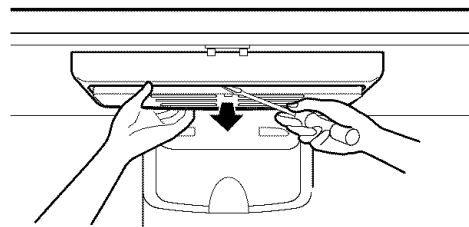
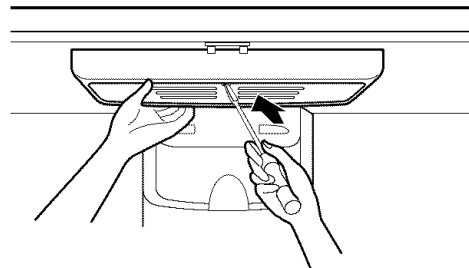
Antes de reemplazar un foco quemado, desconecte el refrigerador o apague la corriente en el corta circuito o en la caja de fusibles.

**NOTA:** Mover el control a la posición OFF no quita la energía al circuito de la luz.

**NOTA:** No todos los focos de electrodomésticos servirán con su refrigerador. Asegúrese de reemplazar el foco con uno del mismo tamaño, forma y vatios.

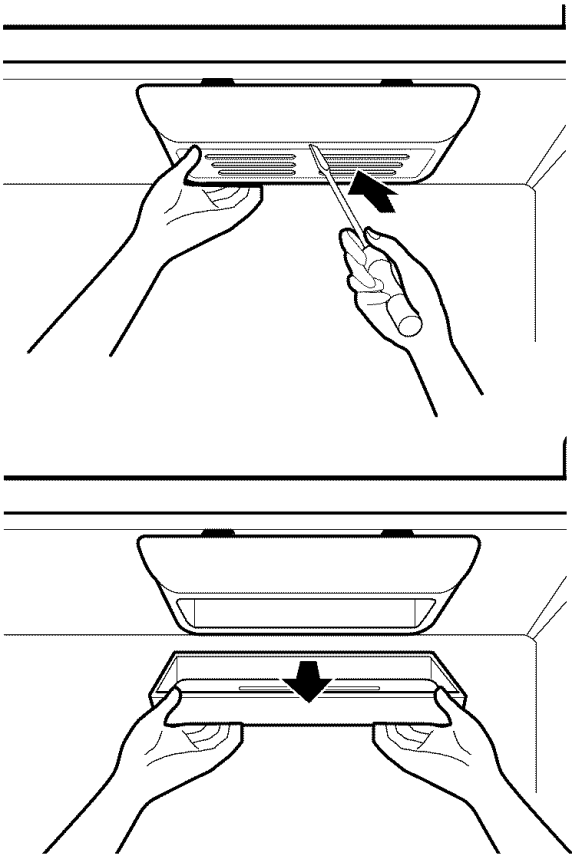
### Para cambiar la luz del refrigerador

1. Desconecte el cable de corriente de la toma de energía.
2. Retire los anaqueles del refrigerador.
3. Jale hacia abajo la protección empujándola hacia atrás para retirarla.
4. Dé vuelta al foco en el sentido inverso a las manecillas del reloj.
5. El ensamble es en el orden reverso del desensamble.



## Para cambiar la luz del congelador:

1. Desconecte el cable de alimentación del refrigerador del tomacorriente.
2. Jale hacia abajo la protección empujándola hacia atrás para retirarla.
3. Saque el foco viejo. Reemplácelo con un foco para electrodomésticos de 60 vatios.
4. Inserte las lengüetas de la parte posterior de la cubierta en las ranuras del techo del congelador. Ejerza presión hacia arriba para que el frente calce en su lugar.



**▲ CUIDADO:** NO coloque los dedos dentro de la cubierta. El foco puede estar caliente.

## APAGONES

Si la electricidad se va, llame a la compañía de electricidad y pregunte cuánto tiempo estará fuera de servicio.

1. Si no habrá energía por 24 horas o menos, mantenga ambas puertas del refrigerador cerradas para ayudar a que los alimentos se mantengan fríos y congelados.
2. Si no habrá energía por más de 24 horas:
  - a) Retire todo el alimento congelado y guarde en un armario de alimentos congelados.

## CUANDO UD. SALGA DE VACACIONES

**Si usted prefiere dejar el refrigerador encendido mientras está fuera**, antes de salir, siga estos pasos para preparar su refrigerador.

1. Use todos los alimentos perecederos y congele todos los otros artículos.
2. Vacíe el recipiente para el hielo.

**Si usted decide apagar el refrigerador antes de salir**, siga estos pasos.

1. Retire todos los alimentos del refrigerador.
2. Dependiendo de su modelo, fije el control del termostato (control del refrigerador) a OFF. Vea la sección **Configurando los controles**.
3. Limpie el refrigerador, enjuáguelo y séquelo bien.
4. Coloque con cinta bloques de caucho o de madera en las partes superiores de ambas puertas para mantenerlas suficientemente abiertas y permitir que entre el aire. Esto evita que se acumule el olor y el moho.

## CUANDO UD. SE CAMBIE DE CASA

Cuando usted vaya a mover su refrigerador a una nueva casa, siga estos pasos para prepararse a la mudanza

1. Retire todos los alimentos del refrigerador y empaque todos los alimentos congelados en hielo seco.
2. Dependiendo de su modelo, gire el control del termostato (control del refrigerador) a OFF. Vea la sección **Configurando los controles**.
3. Desconecte el refrigerador.
4. Limpie, enjuague y seque completamente.
5. Saque todas las partes removibles, envuélvalas bien y póngales cinta adhesiva para que no se dispersen y pierdan durante la mudanza. Refiérase a las secciones en Usando Su Refrigerador para ver instrucciones sobre partes removibles.
6. Dependiendo del modelo, eleve el frente del refrigerador de forma que ruede más fácilmente O atornille las patas de nivelación completamente para que no rayen el piso. Vea la sección **Cómo Cerrar la Puerta**.
7. Coloque cinta para cerrar las puertas y coloque cinta al cable de alimentación que va al gabinete del refrigerador.

Cuando usted llegue a su nueva casa, saque todo, y consulte la sección **Instalando Su Refrigerador** para ver las instrucciones de preparación.



# ACERCA DE LA FÁBRICA DE HIELO

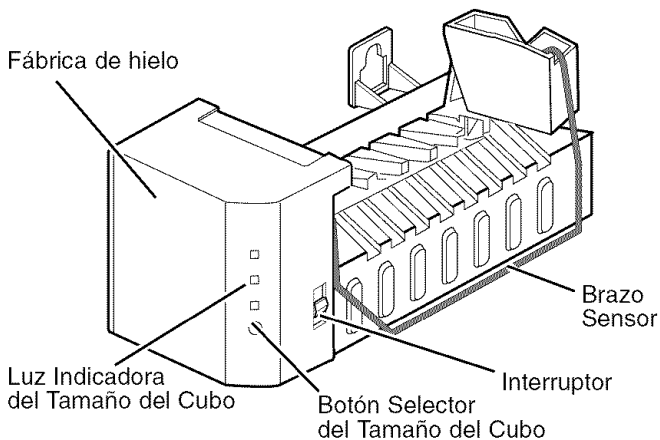
## ADVERTENCIA

### Peligro de Lesión Personal

Evite el contacto con las partes móviles del mecanismo eyector, o con el elemento de calefacción que libera los cubos. NO coloque los dedos o manos en el mecanismo automático para hacer hielos mientras el refrigerador esté conectado.

## INSTRUCCIONES DE OPERACIÓN

Un refrigerador nuevamente instalado se puede tomar de 12 a 24 horas para comenzar a hacer hielo



La fábrica de hielo producirá 8 cubos por ciclo - aproximadamente 100 - 130 cubos en un período de 24 horas, dependiendo de la temperatura del compartimiento del congelador, de la temperatura de la habitación, del número de aperturas de puertas y otras condiciones de operación.

Si el refrigerador es usado antes de que la conexión del agua sea efectuada con el fabricante de hielo, ajuste el conmutador de energía a **O (apagado)**.

Cuando el refrigerador haya sido conectado al suministro de agua, ajuste el conmutador de energía a **I (encendido)**.

La fábrica de hielo se llenará con agua cuando se enfríe a una temperatura de congelación. Un refrigerador recién instalado puede requerir de 12 a 24 horas para comenzar a hacer cubos de hielo.

Deshágase de los primeros lotes de hielo para permitir que la línea de agua se limpie.

Asegúrese de que nada interfiera con el barrido del brazo del sensor.

Cuando el compartimiento se llene a nivel del brazo del sensor, la máquina fábrica de hielo dejará de producir hielo.

Es normal que varios cubos de hielo se atoren.

Si el hielo no se usa frecuentemente, los cubos de hielo viejo se volverán nubosos, de mal sabor y más pequeños.

**NOTA:** Si el tamaño del cubo es menor o mayor de lo que usted esperaba, usted puede regular el tamaño con el botón del tamaño de los cubos.

Cada vez que usted presiona el botón de tamaño de los cubos, la luz del indicador se mueve hacia arriba. A más alta posición de la luz, mayor será el tamaño de los cubos. Presionar en la posición más alta regresa el indicador a la posición más baja.

## CUANDO DEBERÍA AJUSTAR EL CONMUTADOR DE ENCENDIDO DE LA FÁBRICA DE HIELO A O (APAGADO)

- Cuando el suministro de agua será cortado por varias horas.
- Cuando el recipiente de almacenamiento de hielo sea retirado por más de uno o dos minutos.
- Cuando el refrigerador no será usado por varios días.

## SONIDOS NORMALES QUE USTED PUEDE ESCUCHAR

**NOTA:** Mantener el conmutador de encendido en la posición **I (encendido)** antes de que la línea de agua sea conectada puede dañar la fábrica de hielo.

- Usted escuchará el sonido de los cubos cayendo en el recipiente y el agua corriendo en los tubos conforme la fábrica de hielo se recargue.

## PREPARÁNDOSE PARA SALIR DE VACACIONES

### ! PELIGRO

- Si apaga el mecanismo de elaboración de hielo con el depósito aún lleno, el hielo podría derretirse y filtrarse al suelo.
- Cuando apague la máquina de hielo en caso de vacaciones, vacíe todo el hielo del depósito.

# CONEXIÓN DE LA LÍNEA DE AGUA

## ANTES DE COMENZAR

Esta instalación de la línea de agua no está garantizada por el fabricante del refrigerador ni de la fábrica de hielo. Siga estas instrucciones con cuidado para minimizar el riesgo de daños onerosos por el agua.

El martillo de agua (golpes del agua en los tubos) en la plomería de la casa puede ocasionar daños a las partes del refrigerador y conducir a fugas de agua o inundación. Llame a un plomero calificado para corregir el martillo de agua antes de instalar la línea de suministro de agua para el refrigerador.

Para evitar daños al producto y quemaduras, no conecte la línea de agua a la línea de agua caliente.

Si usted usa el refrigerador antes de conectar la línea de agua, asegúrese de que el conmutador de encendido de la fábrica de hielo esté en la posición O (apagado).

No instale los tubos de la fábrica de hielo en áreas donde las temperaturas sean menores al punto de congelación.

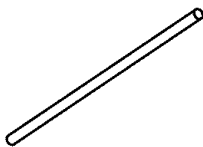
Al usar cualquier dispositivo eléctrico (tal como un taladro eléctrico), durante la instalación, asegúrese de que el dispositivo esté doblemente aislado o conectado a tierra para que evite el peligro de choque eléctrico, o que sea operado por baterías.

Todas las instalaciones deben estar de acuerdo con los requerimientos del código de plomería local.

**NOTA:** Use protección para los ojos.

## LO QUE UD. NECESITARÁ

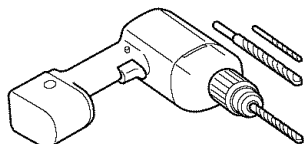
- Tubería de Cobre, 1/4" de diámetro exterior para conectar el refrigerador al suministro de agua. Asegúrese de que ambos extremos de la tubería sean cortados perpendicularmente.



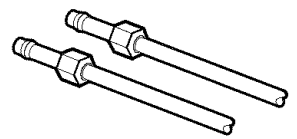
Para determinar cuanta tubería usted necesita: mida la distancia desde la válvula de agua en la parte posterior del refrigerador al tubo de suministro de agua. Luego agregue ocho pies (2.4 m). Asegúrese de que haya suficiente tubería extra (unos 8 pies (2.4 m) enrollados en 3 vueltas de 10" (25 cm de diámetro) para permitir que el refrigerador pueda ser movido de la pared después de su instalación.

- **Un suministro de agua fría.** La presión de agua debe estar entre 20 y 120 p.s.i. en modelos sin filtro de agua y entre 40 y 120 p.s.i. en modelos con filtro de agua.

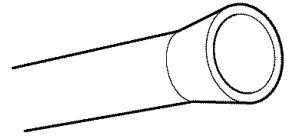
- **Taladro eléctrico.**
- **Llave de 1/2" o aj ustable.**
- **Desarmador plano y Phillips.**



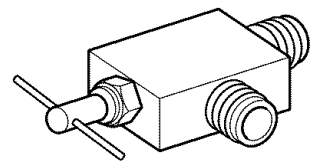
- **Dos tuercas de compresión de diámetro exterior de 1/4" y 2 casquillos (mangos)** para conectar la tubería de cobre a la válvula de cierre y a la válvula de agua del refrigerador.



- Si su línea de agua de cobre existente tiene una conexión acampanada en el extremo, usted necesitará un **adaptador** (disponible en las tiendas de suministro de plomería) para conectar la línea de agua al refrigerador O usted puede cortar la conexión acampanada con un cortador de tubería y luego usar una conexión de compresión.



- **Válvula de cierre para conectar a la línea de agua fría.** Esta válvula de cierre debería tener una entrada de agua con un mínimo de diámetro interior de 5/32" en el punto de conexión a la LÍNEA DE AGUA FRÍA. Las válvulas de cierre del tipo silla son incluidas en muchos juegos de suministro para el agua. Antes de comprar, asegúrese de que una válvula del tipo silla cumpla con sus códigos de plomería locales.



## INSTRUCCIONES DE INSTALACIÓN

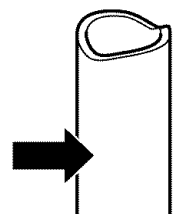
Instale la válvula de cierre en la línea de agua potable usada más frecuentemente y más próxima.

### 1. CORTE DEL SUMINISTRO PRINCIPAL DE AGUA

Abra la llave más próxima para liberar la presión en la línea.

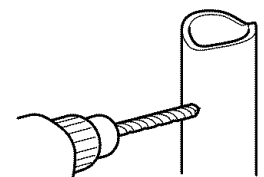
### 2. ELIJA LA UBICACIÓN DE LA VÁLVULA

Elija una ubicación para la válvula que sea fácilmente accesible. Es mejor conectar dentro del lado de un tubo de agua vertical. Cuando sea necesario conectar dentro de un tubo de agua horizontal, haga la conexión en la parte superior o lateral, más que en la base, para evitar la aspiración de cualquier sedimento del tubo de agua.



### 3. PERFORACIÓN DEL AGUJERO PARA LA VÁLVULA

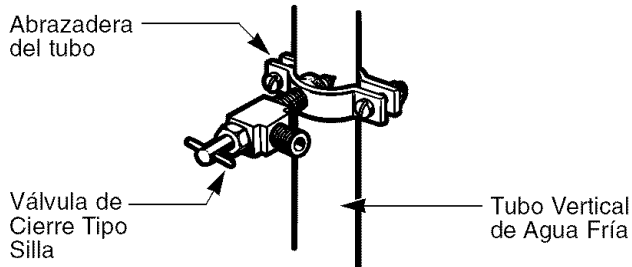
Perfore un agujero de 1/4" en el tubo de agua (aún cuando sea usando una válvula auto-perforante) usando una punta afilada. Tenga cuidado de no permitir que el agua se drene dentro de la perforación. La falla en taladrar un agujero de 1/4" puede resultar en producción de hielo reducida o cubos más pequeños.



## INSTRUCCIONES DE INSTALACIÓN (CONTINUACIÓN)

### 4. INSTALE LA VÁLVULA DE CIERRE

Asegure la válvula de cierre al tubo de agua fría con la abrazadera del tubo.

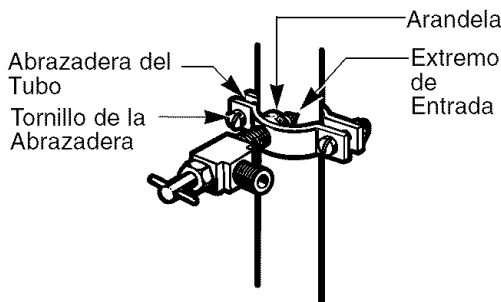


**NOTA:** Conforme a los Códigos de Plomería de la Commonwealth of Massachusetts 248CMR. Las válvulas de silla son ilegales y el uso no es permitido en Massachusetts. Consulte con su plomero autorizado.

### 5. APRIETE LA ABRAZADERA DEL TUBO

Apriete los tornillos de la abrazadera hasta que la arandela de sellamiento comience a engrosar.

**NOTA:** No ajuste demasiado o puede aplastar al tubo.



### 6. ENRUTE LA TUBERÍA

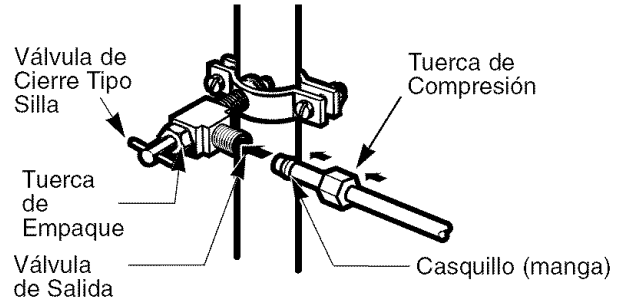
Enrumbe la tubería de cobre entre la llave de agua fría y el refrigerador.

Dirija la tubería a través de un agujero perforado en la pared o en el piso (detrás del refrigerador o del gabinete de base adyacente) tan cerca de la pared como sea posible.

**NOTA:** Asegúrese de que haya suficiente tubería extra (unos 8 pies enrollados en 3 vueltas de unas 10" de diámetro) para que el refrigerador se pueda mover lejos de la pared después de la instalación.

### 7. CONECTE LA TUBERÍA A LA VÁLVULA

Coloque la tuerca de compresión y el casquillo (manga) para la tubería de cobre en el extremo de la tubería y conéctelo a la válvula de cierre. Asegúrese de que la tubería esté completamente insertada en la válvula. Apriete la tuerca de compresión firmemente.

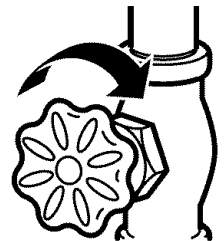


**NOTA:** Conforme a los Códigos de Plomería de la Commonwealth of Massachusetts 248CMR. Las válvulas de silla son ilegales y el uso no es permitido en Massachusetts. Consulte con su plomero autorizado.

### 8. ENJUAGUE LA TUBERÍA

Abra la llave principal del abastecimiento de agua y deje correr el agua a través de la tubería de cobre hacia una cubeta hasta que el agua salga limpia.

Cierre el suministro de agua en la válvula de agua después de que aproximadamente un cuarto de agua haya recorrido a través de la tubería.



## CONEXIÓN DE LA LÍNEA DE AGUA

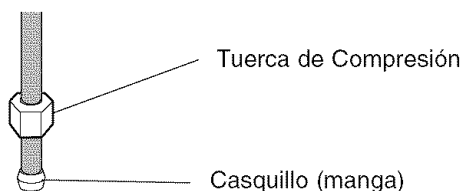
### 9. CONECTAR LA TUBERÍA AL REFRIGERADOR

Remover y reemplazar la Tapa de la Válvula

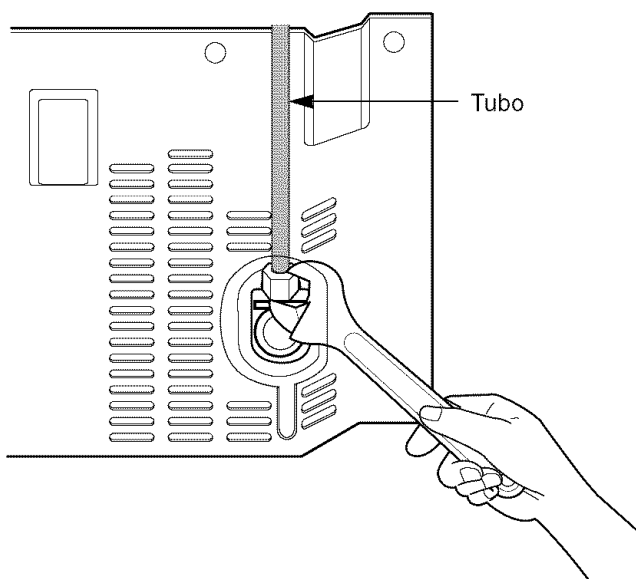
#### NOTA:

- Antes de hacer la conexión al refrigerador, asegúrese de que el cable eléctrica del refrigerador está desconectada de la toma eléctrica.

1. Coloque la tuerca de compresión y un manguito sobre el extremo del tubo.



2. Inserte el tubo dentro de la válvula y apriete con una llave como se muestra en la figura inferior.

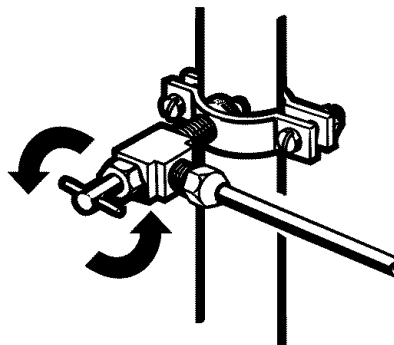


- ⚠ PRECAUCIÓN:** Controle si la unidad pierde agua en las juntas de la tubería de agua.

### 10. ABRA EL AGUA EN LA VÁLVULA DE CIERRE

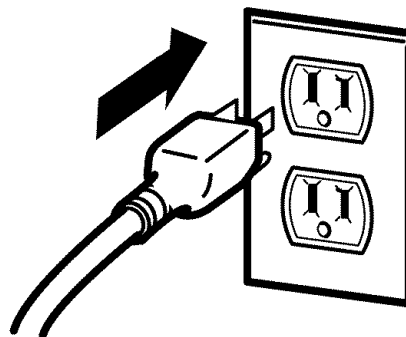
Apriete cualquier conexión que tenga goteo.

Vuelva a asegurar la cubierta de acceso al compartimiento del compresor.



### 11. CONECTE EL REFRIGERADOR

Coloque el rollo de tubería de forma que no vibre contra el respaldo del refrigerador o contra la pared. Empuje el refrigerador hacia la pared.



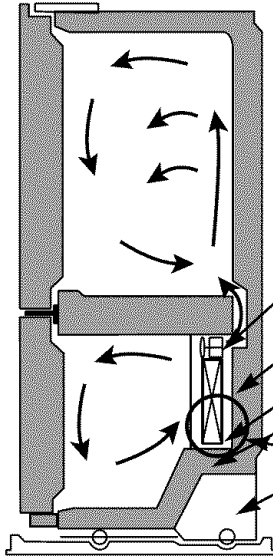
### 12. ACTIVE LA FÁBRICA DE HIELO

Coloque el conmutador de encendido de la fábrica de hielo en la posición de Encendido. La fábrica de hielo no comenzará a funcionar hasta que alcance su temperatura de operación de 15°F (-9°C).

# GUÍA PARA LOCALIZACIÓN DE PROBLEMAS

## ENTENDIENDO LOS SONIDOS QUE UD. PUEDE OÍR

Su nuevo refrigerador puede hacer sonidos que su aparato anterior no hacía. Puesto que los sonidos son nuevos para usted, podría estar preocupado sobre ellos. La mayoría de los nuevos sonidos son normales. Las superficies duras, como el piso, paredes y gabinetes, pueden hacer que los sonidos parezcan más fuertes de lo que realmente son. Lo siguiente describe las clases de sonidos y lo que puede estar produciéndolos.



- El temporizador de descongelamiento hará clic cuando el ciclo de descongelamiento automático comience y termine. El control del termostato (o control del refrigerador, dependiendo del modelo) también hará clic al inicio y final del ciclo.
- Los ruidos de cascabeles pueden provenir del flujo del refrigerante, de la línea de agua, o de artículos guardados en la parte superior del refrigerador.
- Su refrigerador está diseñado para funcionar más eficientemente para guardar alimentos a la temperatura deseada. El compresor de alta eficiencia puede causar que su nuevo refrigerador funcione por más tiempo que el antiguo, y puede ser que Ud. oiga un sonido de pulsación o tonos altos.
- Usted puede oír el motor del ventilador del evaporador circulando el aire en el refrigerador y los compartimentos del congelador.
- Conforme cada ciclo termine, usted puede oír un sonido de gorgoteo debido al refrigerante que fluye en su refrigerador.
- La contracción y expansión de las paredes interiores puede causar un sonido de ¡pop!.
- El goteo de agua en el calentador del descongelador durante un ciclo de descongelamiento puede causar un sonido de chirrido.
- Usted puede oír el aire que está siendo forzado sobre el condensador por el ventilador del condensador.
- Usted puede oír el agua que corre a la bandeja de drenado durante el ciclo de descongelamiento.
- Con las puertas abiertas podrá escuchar el ruido generado por el ventilador de formación de hielo en el congelador, en la parte izquierda del frigorífico.

## EL REFRIGERADOR NO FUNCIONA

Verifique si...	Luego...
El cable de suministro de energía está desconectado.	Conecte firmemente el cable en un receptáculo que funcione con el voltaje apropiado.
Un fusible de la casa se ha fundido o el interruptor de circuito se disparó.	Reemplace el fusible o reinicie el interruptor de circuito.
El control del refrigerador está colocado en la posición OFF.	Refiérase a la sección <b>Configuración de los Controles</b> en la página 52.
El refrigerador está en el ciclo de descongelar.	Espere unos 30 minutos para que el ciclo de descongelamiento termine.

## SONIDO DE VIBRACIÓN O CASCABELES

Verifique si...	Luego...
El refrigerador no está descansando sólidamente sobre el piso.	El piso está débil o desnivelado o las patas de nivelación necesitan ajuste. Vea la sección <b>Instalación</b> en la página 51.

## LAS LUCES NO FUNCIONAN

Verifique si...	Luego...
El cable de suministro de energía está desconectado.	Conecte firmemente el cable en un receptáculo que funcione con el voltaje apropiado.
El foco de la luz está flojo en la boquilla.	Gire el control del refrigerador a la posición OFF y desconecte el refrigerador. Retire suavemente el foco y reinsértelo. Luego conecte el refrigerador y reinicie el control del refrigerador.
El foco de la luz se ha quemado.	Reemplace con un foco para electrodomésticos de los mismos vatios, tamaño y forma disponible en su ferretería local. ( Vea la sección <b>Cómo Cambiar los Focos</b> en las páginas 63-64). Ajuste el control de temperatura a la posición OFF y desconecte el refrigerador antes del reemplazo.

# GUÍA PARA LOCALIZACIÓN DE PROBLEMAS

## EL COMPRESOR PARECE FUNCIONAR DEMASIADO

Verifique si...	Luego...
El refrigerador que fue reemplazado era un modelo más viejo.	Los refrigeradores modernos con más espacio de almacenamiento requieren más tiempo para operación.
La temperatura de la habitación es más calurosa que lo normal.	El motor funcionará más tiempo bajo condiciones de calor. A temperaturas de habitación normales, espere que su motor funcione entre 40 y 80% del tiempo. Bajo condiciones de más calor, espere que funcione con más frecuencia.
La puerta está abierta con frecuencia o una gran cantidad de alimento ha sido agregada.	Agregar alimentos y abrir la puerta calienta el refrigerador. Es normal para el refrigerador funcionar más tiempo con objeto de enfriar el refrigerador a la temperatura anterior. Añadir una gran cantidad de alimentos calienta el refrigerador. Vea a la sección <b>Guía de Almacenamiento de Alimentos</b> en la página 55. Con objeto de conservar la energía, trate de obtener todo lo que usted necesita del refrigerador de una sola vez, mantenga el alimento organizado de forma que sea fácil de encontrar y cierre la puerta tan pronto como el alimento sea retirado.
El refrigerador fue recientemente conectado y el control del refrigerador estaba ajustado correctamente.	El refrigerador tarda unas 24 horas en enfriarse completamente.
El control del refrigerador no está correctamente ajustado para las condiciones prevalecientes.	Vea la sección <b>Ajuste de Controles</b> en la página 55.
Las puertas no están cerradas por completo.	Empuje las puertas firmemente para que cierren bien. Si no cierran completamente, vea Las puertas no cerrarán completamente a continuación.
Las bobinas del condensador están sucias.	Esto evita la transferencia de aire y hace que el motor funcione más duramente. Limpie las bobinas del condensador. Refiérase a la sección <b>Cuidado y Limpieza</b> en las páginas 63-64.

## LAS PUERTAS NO CIERRAN COMPLETAMENTE

Verifique si...	Luego...
El refrigerador no está nivelado.	Vea <b>Nivelación y Alineamiento de la Puerta</b> en la página 51.
Los paquetes de alimentos están bloqueando la apertura de la puerta.	Vuelva a colocar los recipientes de alimentos para liberar la puerta y los compartimentos de la puerta.
El recipiente del hielo, la cubierta del recipiente, charolas, anaqueles, compartimentos de la puerta o canastas están fuera de su lugar.	Coloque todos los recipientes bien adentro y ponga la cubierta del recipiente, cazuelas, anaqueles y canastas en sus posiciones correctas. Use la sección <b>Usando Su Refrigerador</b> en las páginas 52-62.
Los empaques están pegajosos.	Limpie los empaques y las superficies que estos tocan. Frote una capa delgada de cera de parafina en los empaques después de limpiar.
El refrigerador se bambolea o parece inestable.	Nivele el refrigerador. Refiérase a la sección <b>Nivelación y Alineamiento de Puerta</b> en la página 51.
Las puertas fueron retiradas durante la instalación del producto y no fueron colocadas nuevamente en su lugar apropiadamente.	Retire y reemplace las puertas de acuerdo a la sección <b>Cómo Retirar la Puerta del Refrigerador y Cómo Volver a Colocar Puertas y Jaladeras del Refrigerador</b> en las páginas 45-48, o llame a un técnico de servicio calificado.

## CRISTALES DE ESCARCHA O HIELO EN ALIMENTOS CONGELADOS

Verifique si...	Luego...
La puerta no está cerrando adecuadamente.	Vea Las puertas no cerrarán completamente arriba.
La puerta es abierta con frecuencia.	Cuando la puerta es abierta, se permite el aire húmedo, caliente en el congelador, resultante en escarcha.

# GUÍA PARA LOCALIZACIÓN DE PROBLEMAS

## EL HIELO TIENE MAL SABOR U OLOR

Verifique si...	Luego...
La fábrica de hielo fue instalada recientemente.	Deseche los primeros lotes de hielo para evitar hielo sin sabor y descolorido.
El hielo ha estado almacenado demasiado tiempo.	Tire el hielo viejo y haga nuevo.
El alimento no ha sido envuelto herméticamente en algún compartimiento	Vuelva a envolver los alimentos puesto que los olores pueden migrar al hielo si el alimento no está bien envuelto.
El suministro de agua contiene minerales tales como azufre.	Puede ser necesario instalar un filtro (o reemplazarlo) para eliminar el problema de olor y sabor.
El interior del refrigerador necesita limpieza.	Vea la sección <b>Cuidado y Limpieza</b> en las páginas 63-64.
El recipiente de almacenaje de hielo necesita limpieza.	Vacíe y lave el recipiente. Tire los hielos viejos.

## HAY AGUA EN LA CHAROLA DE DRENADO DEL DESCONGELADOR

Verifique si...	Luego...
La temperatura del congelador es suficientemente fría para producir hielo.	El agua se evaporará. Es normal que el agua gotee en la charola de descongelamiento.
Se dejó abierta la puerta.	Espere que el agua en la charola de descongelamiento se tardará más en evaporar. Esto es normal cuando hace calor o humedad.

## EL REFRIGERADOR PARECE HACER DEMASIADO RUIDO

Verifique si...	Luego...
Los sonidos pueden ser normales para su refrigerador.	Refiérase a la sección <b>Entendiendo los Sonidos que Usted Puede Oír</b> en la página 69.

## LA FÁBRICA DE HIELO NO ESTA PRODUCIENDO HIELO O LOS CUBOS DE HIELO SE ESTÁN CONGELANDO DEMASIADO LENTAMENTE

Verifique si...	Luego...
Está seleccionado el nivel de tamaño de cubo más pequeño.	Espere 24 horas después de iniciar la producción de hielo. Vea la sección <b>Ajustando los Controles</b> en la página 52.
La válvula de cierre de agua que conecta el refrigerador a la línea de agua puede estar tapada.	Verifique para ver si algo está manteniendo la puerta abierta.

## LOS CUBOS HECHOS LA FÁBRICA DE HIELO SON DEMASIADO PEQUEÑOS

Verifique si...	Luego...
Está seleccionado el nivel de tamaño de cubo más pequeño.	Seleccione el tamaño de cubo más grande usando el selector de tamaño de cubo.
La válvula de cierre de agua que conecta el refrigerador a la línea de agua puede estar tapada.	Llame a un plomero para limpiar la válvula.

## LAS PUERTAS ABREN CON DIFICULTAD

Verifique si...	Luego...
Los empaques están sucios o pegajosos.	Limpie los empaques y las superficies que tocan. Frote un paño delgado de pulimento para aparatos domésticos o cera de cocina en los empaques después de limpiar.
La puerta es reabierta en un corto tiempo después de haber sido abierta	Cuando usted abre la puerta, el aire más caliente entra al refrigerador. Conforme el aire caliente se enfría, puede crear un vacío. Si es difícil abrir la puerta, espere 5 minutos para permitir que la presión del aire se iguale, luego vea si se abre más fácilmente.

## GUÍA PARA LOCALIZACIÓN DE PROBLEMAS

### LA TEMPERATURA ES DEMASIADO CALIENTE O HAY ACUMULACIÓN DE HUMEDAD

Verifique si...	Luego...
Las ventilas de aire están bloqueadas. El aire frío circula desde el congelador a la sección de frutas frescas y de regreso a través de los ventilas de aire que dividen las 2 Secciones.	Ubique las ventilaciones de aire usando su mano para sentir el flujo de aire y mueva todos los paquetes que bloqueen las ventilas y restrinjan el flujo de aire.
Las puertas son abiertas con frecuencia.	Cuando la puerta es abierta, se permite la entrada de aire húmedo tibio en el refrigerador. Entre más se abre la puerta, más rápidamente la humedad se deposita, y más aire tibio tiene que enfriar el refrigerador. Con objeto de mantener frío el refrigerador, trate de sacar todo lo que necesita del refrigerador a la vez, mantenga el alimento organizado de manera que sea fácil de encontrar y cierre la puerta tan pronto como el alimento sea retirado.
El control no está actualmente fijado para las condiciones del lugar.	Refiérase a la sección <b>Configurando los Controles</b> en la página 52. Espere 24 horas para que las temperaturas se establezcan o nivelen. Si la temperatura es demasiado fría o demasiado caliente, mueva el control una vez a la vez.
Una gran cantidad de alimento ha sido apenas agregado al refrigerador o congelador.	Añadir alimentos calienta el refrigerador. Puede tomarle varias horas para que regrese a la temperatura normal.
El alimento no está empacado correctamente.	Envuelva los alimentos herméticamente y seque los recipientes húmedos antes de almacenarlos en el refrigerador para evitar acumulación de humedad. Si es necesario, vuelva a empacar los alimentos de acuerdo a los lineamientos en la sección <b>Guía de Almacenamiento de Alimentos</b> en la página 55.
Las puertas no están cerrando completamente.	Vea <b>Las puertas no cierran completamente</b> en la página 70.
El clima es húmedo.	En clima húmedo, el aire transporta humedad al refrigerador cuando las puertas están abiertas.
Un ciclo de auto-descongelación se terminó.	Es normal que se formen gotas en la pared trasera después de que el refrigerador se auto-descongele.





## TABLE DES MATIÈRES

<b>Garantie</b>	<b>75</b>	Porte inclinable	96
<b>Accords de protection</b>	<b>76</b>	Panier métallique de la porte du congélateur	96
<b>Mesures de sécurité</b>	<b>77–78</b>	Bac à glace	96
<b>Spécifications pour la mise à la terre</b>	<b>78</b>	Durabase	97
<b>Composants et fonctions</b>	<b>79</b>	Cloison du Durabase	97
<b>Installation du réfrigérateur</b>	<b>80–87</b>	Tiroir coulissant	97
Déballage du réfrigérateur	80	Filtre à eau	98
Installation	80	<b>Entretien et nettoyage</b>	<b>99–100</b>
Extraction et réinstallation des portes et des poignées de votre réfrigérateur	81–84	Conseils pour le nettoyage général	99
Extraction et réinstallation des portes et des poignées de votre réfrigérateur	85–86	Extérieur	99
Nivellement et alignement de la porte	87	Parois intérieures	99
Couvercle de la base	87	Contre-porte et paniers de la porte	99
<b>Utilisation de votre réfrigérateur</b>	<b>88–98</b>	Pièces en plastique	99
Assurer une circulation d'air appropriée	88	Serpentin	99
Flux multiples	88	Remplacement de l'ampoule d'éclairage	99–100
Configuration des commandes	89–90	Pannes d'électricité	100
Réglage de la configuration des commandes	91	Si vous partez en vacances	100
Guide pour le stockage d'aliments	91	Quand vous déménagez	100
Stockage d'aliments congelés	92	<b>À propos de la machine à glaçons automatique</b>	<b>101</b>
<b>► COMPARTIMENT RÉFRIGÉRATEUR</b>		<b>Connexion du conduit d'eau</b>	<b>102-104</b>
Distributeur de l'eau	92	<b>Guide de dépannage</b>	<b>105-108</b>
Tablettes du réfrigérateur	93		
Porte-bouteilles	93		
Chef fresh / plateau à casse-croûte (sur certains modèles)	94		
Bac à légumes	94		
Contrôle de l'humidité du bac	94		
Bac à légumes avec le dispositif de inclinaison	94		
Enlèvement du bac à légumes	94		
Couvercle à crochet avec grille sur la superficie interne	95		
Casiers Modulaires de Porte	95		
Porte-oeufs	95		
Compartiment à produits laitiers	95		
<b>► COMPARTIMENT CONGÉLATEUR</b>			



## GARANTIE RÉFRIGÉRATEUR CONGÉLATEUR EN BAS

### Garantie pour appareils Kenmore Elite

#### Garantie limitée d'un an

Une fois installé, mis en fonctionnement et utilisé sous le respect des instructions fournies avec le produit, si cet appareil cesse de fonctionner correctement en raison d'un défaut, dans le matériel ou la fabrication, appelez au 1-800-4-MY-HOME(r) pour une réparation sans frais pendant un délai d'un an à partir de la date d'achat.

Si l'usage de l'unité diffère de l'utilisation domestique normale, cette garantie ne s'appliquera que pendant 90 jours à compter de la date d'achat.

#### Garantie limitée de cinq ans sur le système de réfrigération scellé

Pendant cinq ans à compter de la date d'achat, lorsque ce réfrigérateur est installé, mis en fonctionnement et entretenu conformément aux instructions fournies avec le produit, Sears réparera gratuitement le système scellé (composé du condenseur, du tube de connexion et du compresseur) si celui-ci présente des défauts de matériaux ou de fabrication.

#### Cette garantie couvre uniquement des défauts dans le matériel et/ou la fabrication. Sears NE paiera PAS:

1. Des articles consommables pouvant s'user à cause d'un usage normal, y compris mais non limité aux filtres, courroies, ampoules et sacs.
2. Un technicien de service pour renseigner l'utilisateur sur l'installation, la mise en fonctionnement ou l'entretien corrects de l'appareil.
3. Un technicien de service pour nettoyer ou maintenir cet appareil.
4. Les dommages ou les dysfonctionnements causés à cet appareil par une installation, une mise en fonctionnement ou un entretien ne respectant pas toutes les instructions fournies avec le produit.
5. Les dommages ou les dysfonctionnements causés à cet appareil par un accident, un usage abusif, un emploi incorrect, ou une utilisation autre que celle pour laquelle cet appareil est prévu.
6. Les dommages ou les dysfonctionnements causés à cet appareil par l'utilisation de détergents, de nettoyants, de produits chimiques ou d'ustensiles autres que ceux recommandés dans toutes les instructions fournies avec ce produit.
7. Les dommages ou les dysfonctionnements des pièces ou des systèmes résultant de modifications non autorisées faites à cet appareil.

#### Clause d'exonération de responsabilité au titre de garanties implicites : limitation des recours

L'engagement de Sears à réparer un produit défectueux dans les conditions prévues ci-dessus constitue le recours unique et exclusif de l'acheteur sous cette garantie limitée.

Les garanties implicites, y compris les garanties de qualité marchande et d'aptitude à un usage particulier, sont limitées à un an ou à la période la plus courte autorisée par la loi. Sears ne sera pas tenu responsable des dommages fortuits ou consécutifs. Certains états ou provinces ne permettent pas l'exclusion ou la limitation des dommages fortuits ou consécutifs, ni les limitations sur la durée des garanties implicites de qualité marchande ou d'aptitude à un usage particulier ; par conséquent, ces exclusions ou limitations peuvent ne pas vous être applicables.

Cette garantie ne s'applique que si cet appareil est mis en service aux États-Unis ou au Canada.

Cette garantie vous confère des droits juridiques spécifiques, et vous pouvez également jouir d'autres droits qui peuvent varier d'un état à l'autre.

**Sears, Roebuck and Co., Dept. 817WA, Hoffman Estates, IL 60179**

**Sears Canada, Inc., Toronto, Ontario, Canada M5B 2B8**

## ACCORDS DE PROTECTION

### ÉTATS UNIS

#### Entente Principal de Protection

*Félicitations pour avoir fait un achat intelligent.* Votre nouveau produit Kenmore est dessiné et fabriqué pour être durable pendant certaines années selon l'opération. Mais comme tous les produits, il peut demander de service préventif ou quelque réparation. Alors, si vous avez L'Entente Principal de Protection, vous pouvez économiser de l'argent et sauver du temps.

*Achetez votre Entente Principal de Protection et protégez-vous des dépenses imprévus.*

L'entente Principal de Protection aussi vous aide pour prolonger la vie de votre appareil. L'entente inclus le suivant:

- ✓ **Service expert** pour nos 12,000 spécialistes en réparation.
- ✓ **Service illimité et aucun paiement** pour des pièces de rechange et le main-d'oeuvre dans toutes les réparations compris.
- ✓ **Garantie « No-lemon »** - Remplacement de votre produit s'il a plus de trois échecs pendant 12 mois.
- ✓ **Remplacement de votre produit** s'il ne peut pas être réparé.
- ✓ **Entretien préventif annuel sans quelque prix**, à votre demande.
- ✓ **Rapide aide pour téléphone** - Attention pour téléphone de quelque technicien de Sears pour les produit à réparer chez vous. Aussi, un programme pour la réparation commode.
- ✓ **Protection à la source** de puissance contre les dommages électriques causés par des fluctuations de puissance.
- ✓ **Remboursement pour louer** si votre produit a besoin de plus de temps pour la réparation.

Depuis que vous achetez votre entente, vous pouvez nous appeler pour avoir de l'aide de notre service. Vous pouvez nous appeler quelque temps par le jour ou la nuit, ou vous pouvez faire un rendez-vous pour avoir le service.

Sears a plus de 12000 spécialistes techniciens qui ont accès à plus de 4.5 millions de pièces de réparation et accessoires de qualité. Ceci est le service professionnel que vous allez avoir pour prolonger la vie de votre appareil. Achetez votre Entente Principal de Protection maintenant!

**Il peut appliquer des restrictions.**

**Pour avoir de l'information additionnelle veuillez appeler 1-800-827-6655.**

#### Service d'installation Sears

*Pour des installations professionnelles garanties* pour les appareils ménagers, portes à garage ou chauffeur d'eau, veuillez appeler au numéro **1-800-4-MY-HOME**®.

### Canada

#### Entente d'entretien

Cet achat a une valeur ajoutée grâce au service Le centre du foyer Sears®. Avec plus de 2 400 techniciens et un accès à plus de 900 000 pièces et accessoires, nous avons les outils, les pièces, la connaissance et l'habileté pour offrir un Service après-vente assuré.

Cet appareil Kenmore® est conçu, fabriqué et testé pour offrir des années de fonctionnement fiable. Toutefois, tout appareil peut nécessiter un service de temps à autre. Le contrat d'entretien Sears offre un excellent programme d'entretien à prix abordable.

#### Contrat d'entretien Sears

- C'est une façon de se procurer un service à bon prix
- Élimine les frais de réparation résultant d'une utilisation normale
- Assure une aide non technique et explicative
- Même si aucune réparation n'est nécessaire, permet une vérification préventive annuelle, sur demande, afin de s'assurer que l'appareil fonctionne adéquatement

**Certaines limitations s'appliquent. Pour plus de détails concernant le contrat d'entretien Sears Canada, téléphoner au 1-800-361-6665**

## ENREGISTREMENT DU PRODUIT

Dans l'espace ci-dessous, noter la date d'achat, les numéros de modèle et de série du produit. Les numéros de modèle et de série sont imprimés sur la plaque signalétique du côté droit du compartiment du réfrigérateur. Avoir ces informations disponibles au moment de communiquer avec Sears concernant ce produit.

N° de modèle \_\_\_\_\_

Date d'achat \_\_\_\_\_

N° de série \_\_\_\_\_

Conserver ces instructions et la facture à des fins de références.

# INSTRUCTIONS DE SÉCURITÉ IMPORTANTES

Ce manuel contient plusieurs messages de sécurité importants. **Lisez et obéissez** toujours tous les messages de sécurité.



Celui-ci est le symbole d'un avis de sécurité. Il vous avertit sur des messages de sécurité vous signalant des risques de mort ou de blessures pour vous ou pour d'autres personnes ou bien sur des risques d'endommager le produit.

Tous les messages de sécurité seront précédés du symbole d'avis de sécurité et du mot-indicateur DANGER, AVERTISSEMENT, ATTENTION. Ces mots signifient:

**! DANGER**

Vous **serez** mort ou gravement blessé si vous ne suivez pas ces instructions.

**! AVERTISSEMENT**

Vous **pouvez** être mort ou gravement blessé si vous ne suivez pas ces instructions.

**! ATTENTION**

Signale des situations dangereuses, sinon interdites, **pouvant** provoquer des blessures peu importantes ou endommager uniquement le produit.

Tous les messages de sécurité identifient le risque, vous disent comment réduire les chances de vous blesser et vous racontent ce qui se passe si les instructions ne sont pas respectées.

## **! AVERTISSEMENT**

**Pour réduire le risque d'incendie, de choc électrique ou de blessures lors de l'utilisation de votre produit, les mesures de sécurité de base, dont les suivantes, doivent être respectées:**

**Lisez toutes les instructions avant d'utiliser cet appareil.**

- Ne débranchez JAMAIS votre réfrigérateur en tirant du câble d'alimentation. Saisissez toujours fermement la fiche et bien la débrancher de la prise de courant.
- Réparez ou remplacez immédiatement tout cordon d'alimentation devenu effiloché ou endommagé d'une autre manière. N'utilisez pas de cordons montrant des fissures ou des marques d'abrasion dans sa longueur ou dans la fiche ou l'extrémité du connecteur.
- Lorsque vous éloignez l'appareil du mur, assurez-vous de ne pas le faire rouler sur le cordon d'alimentation ou de ne pas l'abîmer autrement.
- N'emmagasinez ni n'utilisez de l'essence ou d'autres liquides ou gaz inflammables près de cet appareil ou de n'importe quel autre appareil.
- Ne permettez pas aux enfants de grimper, s'asseoir, se mettre debout ni de se pendre à la porte centrale du réfrigérateur. Ils pourraient abîmer le réfrigérateur et subir des blessures graves.
- Maintenez vos doigts loin des zones des points de pincement; les espaces entre les portes et le boîtier étant nécessairement minuscules. Veillez à fermer les portes lorsqu'il y a des enfants dans les alentours.
- Débranchez votre réfrigérateur avant de procéder à toute opération de nettoyage ou réparation.  
**REMARQUE:** Nous recommandons vivement que toute réparation soit effectuée par une personne qualifiée.
- Avant de remplacer une ampoule d'éclairage brûlée, débranchez le réfrigérateur ou déplacez le disjoncteur ou le fusible sur la position arrêt afin d'éviter le contact avec le filament d'un fil sous tension. (Une ampoule d'éclairage brûlée peut se casser lorsqu'elle est remplacée.)  
**REMARQUE:** Même si vous réglez un interrupteur ou les deux interrupteurs sur la position Arrêt, cela ne met pas le circuit de la lampe hors tension.

- Ce réfrigérateur doit être correctement installé en respectant les Instructions pour l'installateur qui sont collées sur la façade du réfrigérateur.

- Dès que votre réfrigérateur est en marche, ne touchez pas aux surfaces froides du compartiment du congélateur si vos mains sont humides ou mouillées. Votre peau pourrait s'adhérer à ces surfaces extrêmement froides.

- Évitez le contact avec les pièces mobiles du mécanisme d'éjection ou avec l'élément chauffant qui libère les glaçons dans les réfrigérateurs à machine à glaçons automatique. Ne placez pas vos doigts ou vos mains dans le mécanisme automatique de la machine à glaçons alors que le réfrigérateur est branché.

- Ne congelez pas de nouveau les aliments qui se sont complètement dégelés. Le Ministère de l'Agriculture des États-Unis dit, dans son bulletin n° 69:

...Vous pouvez, en toute sécurité, congeler de nouveau des aliments congelés qui se sont dégelés s'ils contiennent encore des cristaux de glace ou qu'ils sont encore froids—au-dessous de 40°F (4°C).

...La viande hachée, la volaille ou le poisson dégelés ayant une odeur ou une couleur anormales ne doivent être ni congelés de nouveau ni mangés. La crème glacée fondue doit être jetée. Si l'odeur ou la couleur d'un aliment quelconque est mauvaise ou douteuse, en débarrassez-vous.

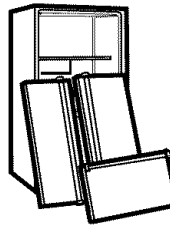
Il pourrait être dangereux de manger de tels aliments. Même une décongélation partielle et une nouvelle congélation réduisent la qualité pour la consommation des aliments, notamment des fruits, des légumes et des plats préparés. La qualité pour la consommation des viandes rouges est moins affectée que celle de la plupart des autres aliments. Utilisez les aliments recongelés dès que possible afin de préserver autant que possible leur qualité.

- **Ne modifiez ni ne rallongez le cordon d'alimentation.** Autrement, vous risquez de provoquer un choc électrique ou un incendie.

## CONSERVEZ CES INSTRUCTIONS

## **⚠ DANGER: RISQUE POUR LES ENFANTS DE RESTER ENFERMES À L'INTÉRIEUR DU RÉFRIGÉRATEUR**

Les réfrigérateurs abandonnés sont dangereux... même si vous comptez vous en débarrasser dans très peu de temps. Si vous devez vous débarrasser de votre vieux réfrigérateur, veuillez suivre les instructions à droite dont le but est de vous aider à prévenir des accidents.



### **AVANT DE VOUS DEBARRASSER DE VOTRE VIEUX REFRIGERATEUR OU CONGELATEUR**

- Enlevez les portes.
- Laissez les tablettes à sa place pour que les enfants ne puissent pas y grimper aisément.

## **ÉLIMINATION DU CFC**

Votre vieux réfrigérateur peut avoir un système de réfrigération employant du CFC (chlorofluorocarbure). Les réfrigérants CFC seraient nocifs pour l'ozone stratosphérique.

Si vous jetez votre vieux réfrigérateur, veuillez à enlever le réfrigérant CFC pour une élimination appropriée par un technicien qualifié. Si vous libérez intentionnellement ce réfrigérant CFC, vous pouvez être soumis à des amendes et à des peines d'emprisonnement suivant les dispositions de la législation en matière d'environnement.

## **SPÉCIFICATIONS POUR LA MISE À LA TERRE**

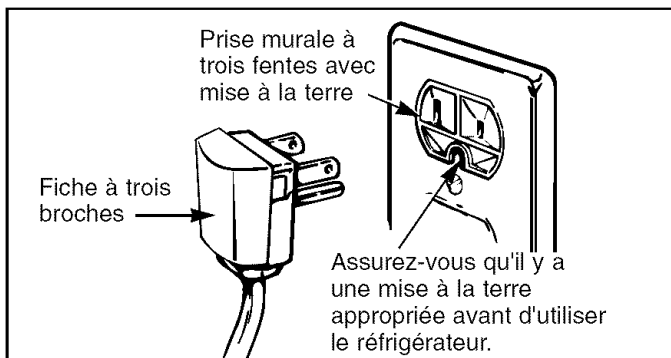
**IMPORTANT:** Veuillez lire attentivement cette section.

### **POUR LA MISE SOUS TENSION DE CET APPAREIL**

#### **⚠ AVERTISSEMENT**

##### **Risque de choc électrique**

**POUR LA SÉCURITÉ DES PERSONNES,** cet appareil doit être correctement mis à la terre. Demandez à un électricien qualifié de vérifier la prise murale ainsi que le circuit pour vous assurer que la prise murale est correctement mise à la terre.



### **MÉTHODE DE MISE À LA TERRE RECOMMANDÉE**

Le réfrigérateur doit être toujours branché sur une prise de courant correctement reliée à la terre et dédiée, classée pour 115 V, 60 Hz, uniquement à c.a. et munie d'un fusible de 15 ou 20 ampères. Ceci assure la meilleure performance et prévient aussi la surchauffe des circuits électriques de l'installation, évitant le risque d'incendie par

surchauffe des câbles. Il est recommandé d'utiliser un circuit séparé pour cet appareil. Utilisez une prise de courant qui ne puisse pas être éteinte par un interrupteur ou une chaînette. N'employez pas de rallonges.

Si la prise murale n'a que deux fentes, c'est votre responsabilité et votre obligation personnelles de la faire remplacer par une prise murale à trois encoches correctement reliée à la terre.

**Ne coupez ni n'enlevez la broche de mise à la terre de la fiche du cordon d'alimentation dans aucune circonstance.**

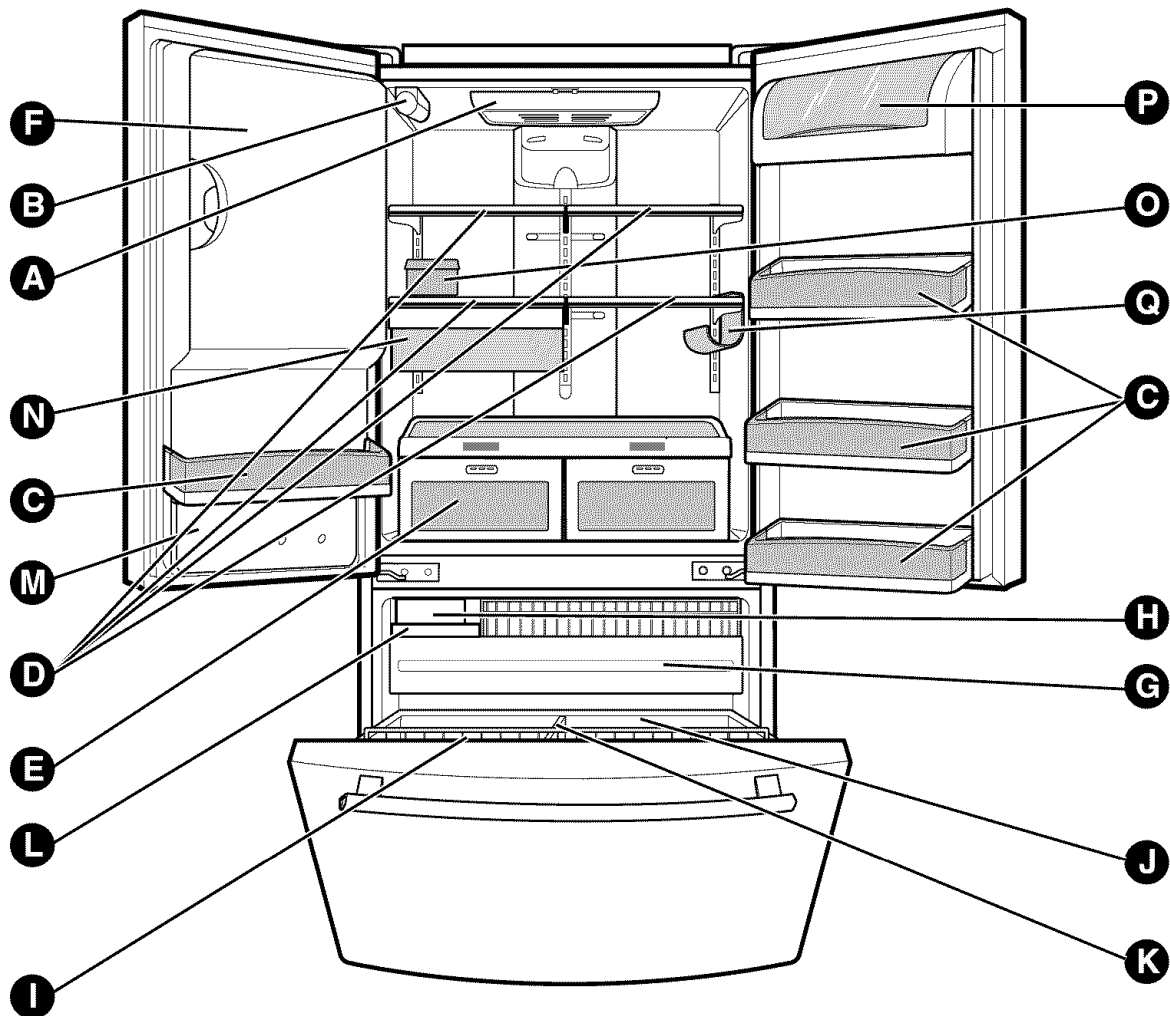
**REMARQUE:** Avant d'effectuer toute opération d'installation ou de nettoyage ou d'enlever l'ampoule d'éclairage, placez l'interrupteur (thermostat, commande du réfrigérateur ou commande du congélateur, en fonction du modèle) sur la position Arrêt (OFF) et ensuite débranchez le réfrigérateur de la prise de courant. Après avoir fini l'opération entreprise, branchez de nouveau le réfrigérateur sur la prise de courant et rétablissez l'interrupteur (thermostat, commande du réfrigérateur ou commande du congélateur, en fonction du modèle) sur la position requise pour le réglage désiré.

### **UTILISATION DE RALLONGES**

**En raison des risques potentiels pour la sécurité, nous décourageons vivement l'utilisation d'une rallonge.** Cependant, si vous voulez quand même utiliser une rallonge, il vous faut absolument employer une rallonge trifilaire, certifiée UL (États-Unis), avec une fiche et une prise murale pour mise à la terre, classée 15 ampères minimum, pour 120V.

L'utilisation d'une rallonge augmentera l'espace libre requis pour la partie arrière du réfrigérateur.

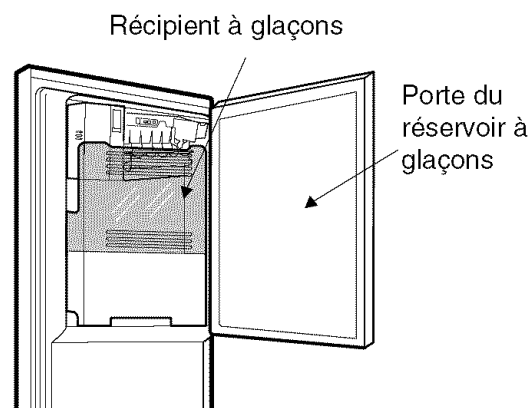
# COMPOSANTS ET FONCTIONS



Utilisez cette page pour vous familiariser avec les composants et les fonctions de l'unité.

**REMARQUE:** Ce manuel couvre plusieurs modèles différents. Le réfrigérateur que vous avez acheté peut avoir certains ou tous les éléments listés ci-dessous. L'emplacement des fonctions montré ci-dessous pourrait ne pas coïncider avec celui de votre modèle.

- |  |   |
|--|---|
| <b>A</b> Lampe du réfrigérateur (p. 99)                        | <b>I</b> Panier de la porte du congélateur (p. 96)                |
| <b>B</b> Filtre (Intérieur) (p. 98)                            | <b>J</b> Durabase (p. 97)   |
| <b>C</b> Bacs modulables de porte                              | <b>K</b> Diviseur (p. 97)   |
| <b>D</b> Étagères du réfrigérateur (p. 93)                     | <b>L</b> Bac à glaçons (p. 96)                                    |
| <b>E</b> Supra Fresh Crisper with Tilt-Out Compartment (p. 94) | <b>M</b> Face avant   |
| <b>F</b> Compartiment Glaçons (p. 89)                          | <b>N</b> Plateau à casse-croûte (p. 94)                           |
| <b>G</b> Tiror coulissant (p. 97)                              | <b>O</b> Oeufrier (p. 95)   |
| <b>H</b> Moteur Turbo  | <b>P</b> Compartiment à produits laitiers (p. 95)                 |
|  | <b>Q</b> Porte-bouteilles (p. 93)<br>(Seulement 795.7757* Modèle) |



## AVERTISSEMENT

### Risque de poids excessif

Faites appel à deux ou plus personnes pour déplacer et installer le réfrigérateur.

Autrement, vous risquez de vous faire mal au dos ou de subir d'autres blessures.

## DÉBALLAGE DE VOTRE RÉFRIGÉRATEUR

Enlevez le ruban adhésif et tout autre étiquette temporaire de votre réfrigérateur avant de l'utiliser. N'enlevez aucune étiquette d'avertissement, ni l'étiquette du numéro de modèle et de série ni la fiche technique qui est attachée à la face arrière du réfrigérateur.

Pour retirer tout reste de ruban adhésif ou de colle, frottez rapidement la zone avec votre pouce. Les restes de ruban adhésif ou de colle peuvent être également enlevés en frottant une petite quantité de savon liquide à vaisselle sur l'adhésif avec vos doigts.

Nettoyez-le avec de l'eau tiède et séchez-le.

N'employez pas d'instruments tranchants, alcool à brûler, substances inflammables ni des détergents abrasifs pour enlever le ruban adhésif ou la colle. Ces produits peuvent endommager la surface de votre réfrigérateur. Pour plus d'information, reportez-vous à la section **Instructions de sécurité importantes**.

Les tablettes du réfrigérateur sont installées dans la position prévue pour le transport de l'unité.

Veuillez réinstaller les tablettes suivant vos besoins personnels de stockage.

## AVERTISSEMENT

### Si vous déplacez votre réfrigérateur:

Votre réfrigérateur est lourd. Si vous le déplacez pour effectuer des opérations de nettoyage ou des réparations, assurez-vous de protéger le plancher. Tirez toujours du réfrigérateur tout droit pour le déplacer. N'essayez de déplacer le réfrigérateur en le balançant ni en le faisant faire de petits pas, car le plancher pourrait en résulter endommagé.

## AVERTISSEMENT





### Risque d'explosion

Maintenez les matériaux et les gaz inflammables, tels que l'essence, loin du réfrigérateur.

Autrement, vous risquez de provoquer des morts, une explosion ou un incendie.

## INSTALLATION

1. Afin d'éviter des vibrations, l'unité doit être nivelée. Réglez les vis de réglage pour compenser les irrégularités du plancher, si besoin. La façade du réfrigérateur doit être légèrement plus haute que la partie arrière afin de rendre plus facile la fermeture de la porte. Vous pouvez facilement faire tourner les vis de réglage en inclinant légèrement le boîtier. Faites tourner les vis de réglage dans le sens des aiguilles d'une montre () pour rehausser l'unité, et dans le sens contraire des aiguilles d'une montre () pour l'abaisser.
2. Installez cet appareil à un endroit où la température reste entre 55°F (13°C) et 110°F (43°C). Si la température de la pièce où se trouve l'appareil est trop froide ou trop chaude, elle pourrait nuire à la capacité de refroidissement du réfrigérateur.
3. Prévoyez un espace libre d'au moins 2 pouces à partir du plafond et de 1 pouce à partir des murs latéraux pour un refroidissement plus efficace, une installation plus facile, une circulation d'air et des connexions électriques appropriées.

**ATTENTION:** Evitez de ranger l'unité près de sources de chaleur ou à un endroit où elle serait exposée à la lumière directe du soleil ou à l'humidité..

## ENSUITE

1. Nettoyez complètement votre réfrigérateur et enlevez toute la poussière accumulée pendant le transport de l'unité.
2. Installez les accessoires tels que le bac à glace, les tiroirs, les tablettes, etc., à leur place. Ils ont été emballés ensemble afin de prévenir de possibles dommages pendant le transport de l'unité.
3. Faites marcher votre réfrigérateur pendant 2 ou 3 heures minimum avant d'y ranger des aliments. Vérifiez le flux d'air refroidi dans le compartiment du congélateur pour garantir un refroidissement approprié. Votre réfrigérateur est maintenant prêt pour être utilisé.

## AVERTISSEMENT

- Faites attention lorsque vous travaillez avec la charnière, la grille inférieure, le taquet, etc. Vous pourriez subir des blessures.
- Ne placez ni vos mains ni vos pieds ni des bâtons métalliques dans les grilles d'aération, la grille inférieure ou la partie inférieure du réfrigérateur. Vous pourriez subir des blessures ou un choc électrique.



## COMMENT ENLEVER LES POIGNÉES DE LA PORTE / DU TIROIR

Pour déplacer le réfrigérateur par la porte d'une maison, il peut être nécessaire de retirer les poignées de portes du réfrigérateur.

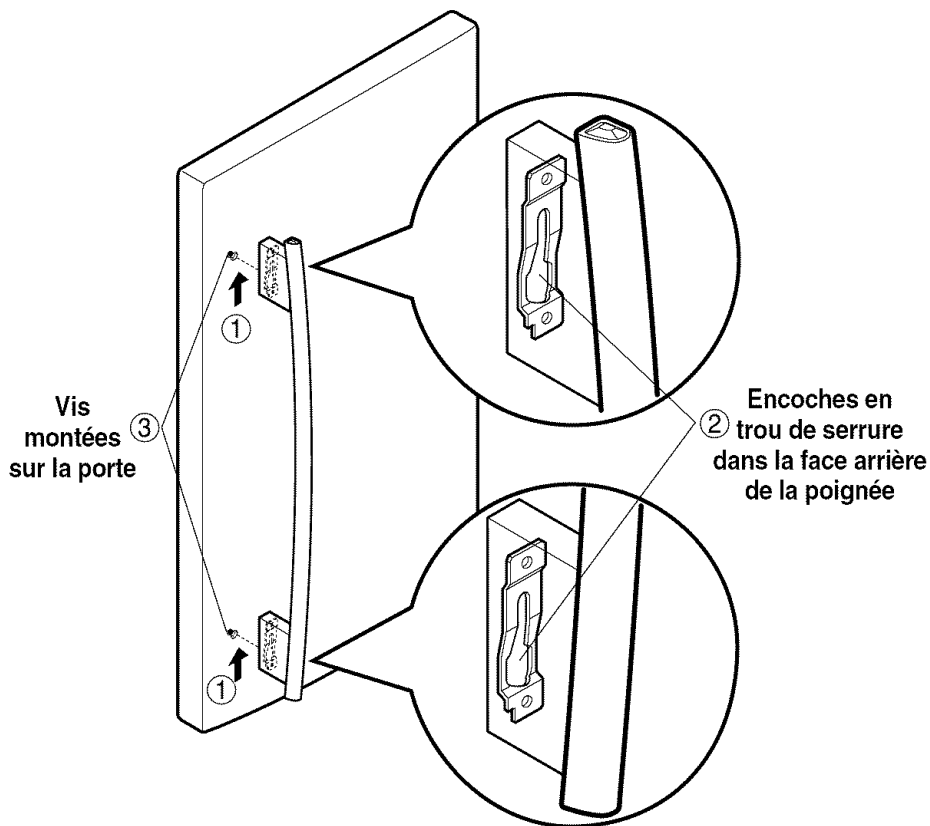
REMARQUE: L'aspect de la poignée peut varier par rapport aux illustrations dans cette page.

### 1. Enlever la poignée du réfrigérateur

- Saisissez fermement la poignée avec les deux mains et faites-la glisser vers le haut (1) (ceci suppose une certaine force).
- Les encoches en trou de serrure (2) dans la face arrière de la poignée vous permettent de la saisir pour la séparer des vis de montage (3).

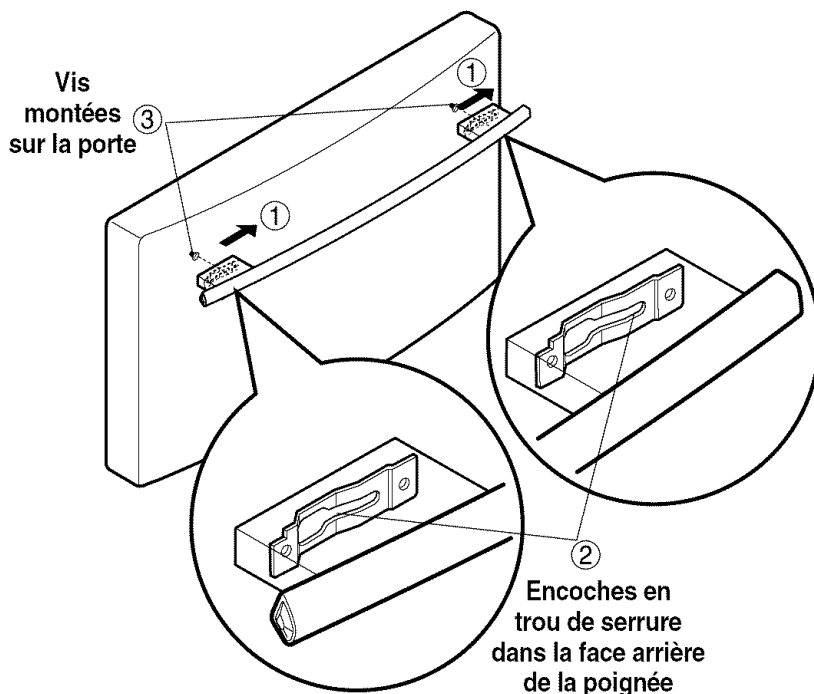
**⚠ ATTENTION:** Si vous frappez la poignée à l'aide d'un marteau lorsque vous l'enlevez ou l'attachez, elle pourrait en résulter endommager et cassée.

**⚠ ATTENTION:** Lorsque vous montez ou démontez la poignée, vous devez pousser et tirer un moment avec force.



### 2. Enlever la poignée du tiroir du congélateur

- Saisissez fermement la poignée avec les deux mains et faites-la glisser vers la droite (1) (ceci suppose une certaine force).
- Les encoches en trou de serrure (2) dans la face arrière de la poignée vous permettent de la saisir pour la séparer des vis de montage (3).

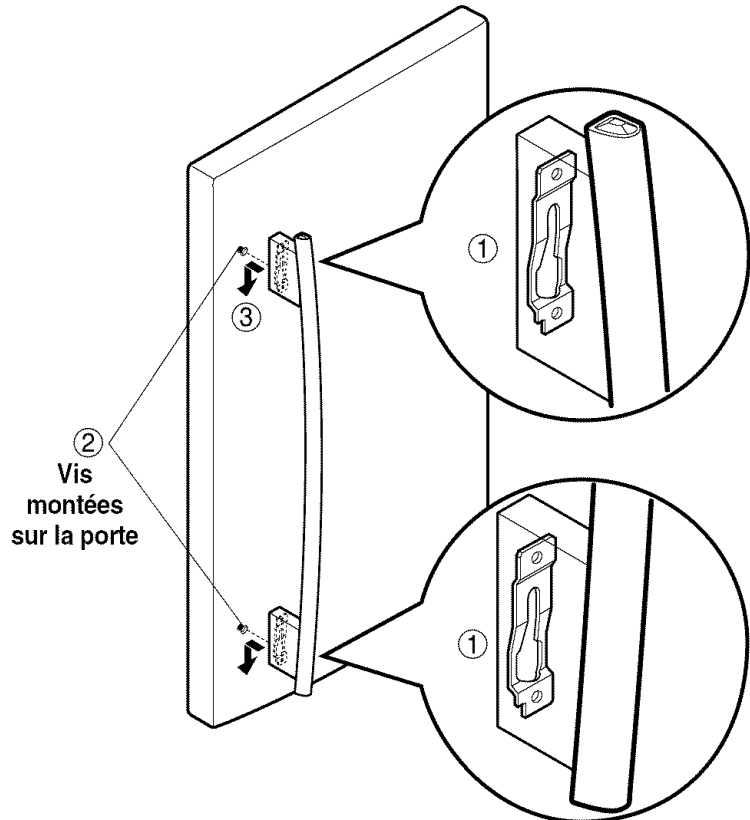


## COMMENT RÉINSTALLER LES POIGNÉES DE LA PORTE / DU TIROIR

REMARQUE: L'aspect de la poignée peut varier par rapport aux illustrations dans cette page.

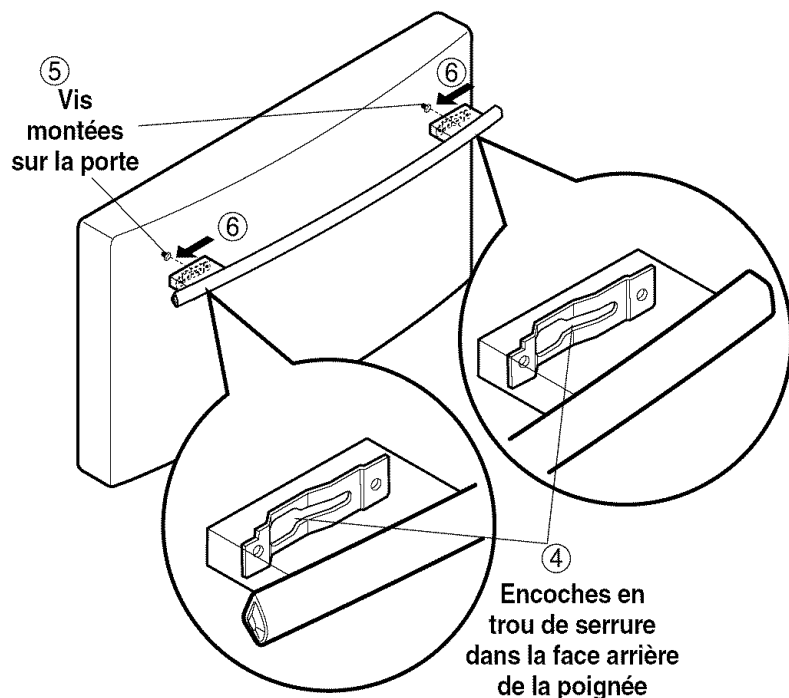
### 1. Réinstaller la poignée de la porte du réfrigérateur

- Alignez les encoches en trou de serrure (1) dans les parties supérieure et inférieure de la face arrière de la poignée, à l'aide des vis (2) montées sur la façade de la porte.
- Pressez la poignée contre la façade de la porte, en vous assurant que les vis (2) rentrent dans les encoches en trou de serrure (1).
- Tout en saisissant la poignée avec les deux mains, pressez-la fermement contre la façade de la porte et faites glisser la poignée vers le bas (3).



### 2. Réinstaller la poignée du tiroir du congélateur

- Alignez les encoches en trou de serrure (4) dans les parties droite et gauche de la face arrière de la poignée, à l'aide des vis (5) montées sur la façade du tiroir.
- Pressez la poignée contre la façade du tiroir, en vous assurant que les vis (5) rentrent dans les encoches en trou de serrure (4).
- Tout en saisissant la poignée avec les deux mains, pressez-la fermement contre la façade du tiroir et faites glisser la poignée vers la gauche (6).



## EXTRACTION ET RÉINSTALLATION DES PORTES DU RÉFRIGÉRATEUR

### 1. Extraction des portes du réfrigérateur

ATTENTION: Débranchez le réfrigérateur avant de commencer. Enlevez les aliments et les paniers des portes.

#### ► Porte gauche

1. Déconnectez le conduit d'alimentation d'eau en poussant en arrière l'anneau de raccordement (4).
2. Ouvrez la porte. Desserrez la vis du couvercle de la charnière supérieure (1). Utilisez un tournevis à pointe plate pour soulever au levier les crochets du couvercle avant (3) qui sont dessous. Soulevez le couvercle.
3. Déconnectez le faisceau du câble de l'interrupteur de la porte (2). Enlevez le couvercle.
4. Retirez le tube.
5. Déconnectez le faisceau à trois câbles (5). Enlevez la vis de terre (6).
6. Faites tourner le levier de la charnière (7) dans le sens contraire des aiguilles d'une montre. Enlevez la charnière supérieure (8) libérée du verrou du levier à charnière (9).

▲ **ATTENTION:** Lorsque vous enlevez la charnière supérieure libérée du verrou du levier à charnière, veillez à ce que la porte ne tombe pas en avant.

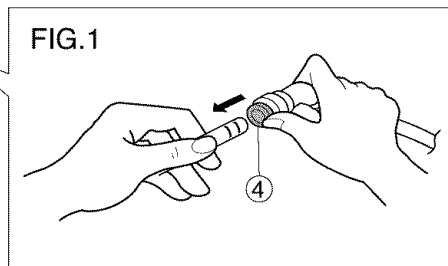
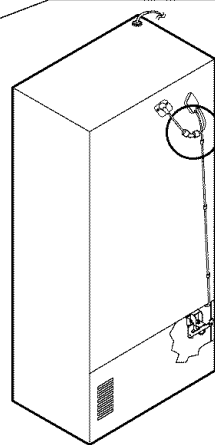
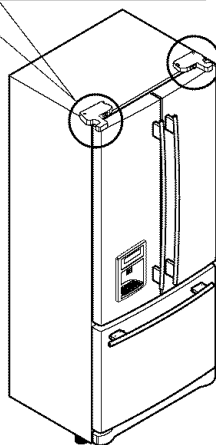
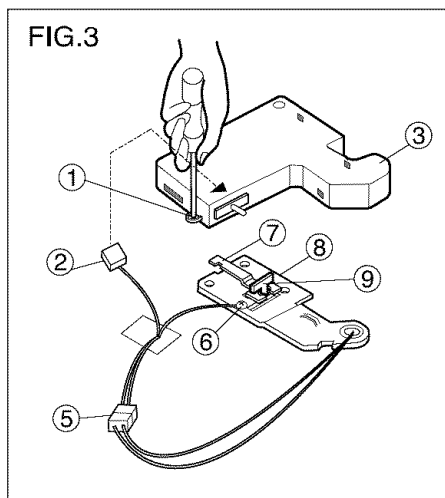
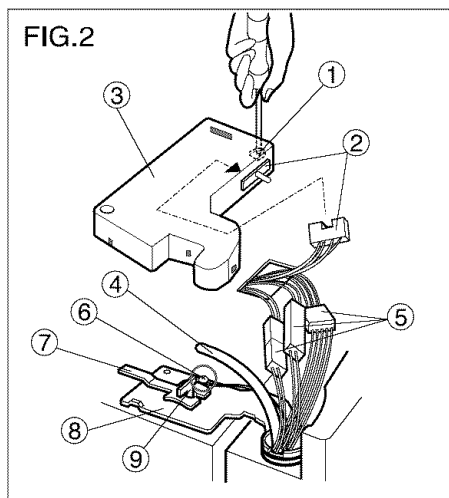
7. Soulevez la porte à partir de l'axe de la charnière centrale (10) et enlevez la porte.
8. Rangez la porte, la partie intérieure au-dessus, sur une surface où elle ne subisse pas des rayures.

#### ► Porte droite

1. Ouvrez la porte. Desserrez la vis du couvercle de la charnière supérieure (1). Soulevez le couvercle (3).
2. Déconnectez le faisceau du câble de l'interrupteur de la porte (2). Enlevez le couvercle.
3. Déconnectez le faisceau à câbles (5). Enlevez la vis de terre (6).
4. Faites tourner le levier de la charnière (7) dans le sens des aiguilles d'une montre et enlevez-le. Soulevez la charnière supérieure (8) libérée du verrou du levier à charnière (9).

▲ **ATTENTION:** Lorsque vous enlevez la charnière supérieure libérée du verrou du levier à charnière, veillez à ce que la porte ne tombe pas en avant.

5. Soulevez la porte à partir de l'axe de la charnière centrale (10) et enlevez la porte.
6. Rangez la porte, la partie intérieure au-dessus, sur une surface où elle ne subisse pas des rayures.



# INSTALLATION DU RÉFRIGÉRATEUR

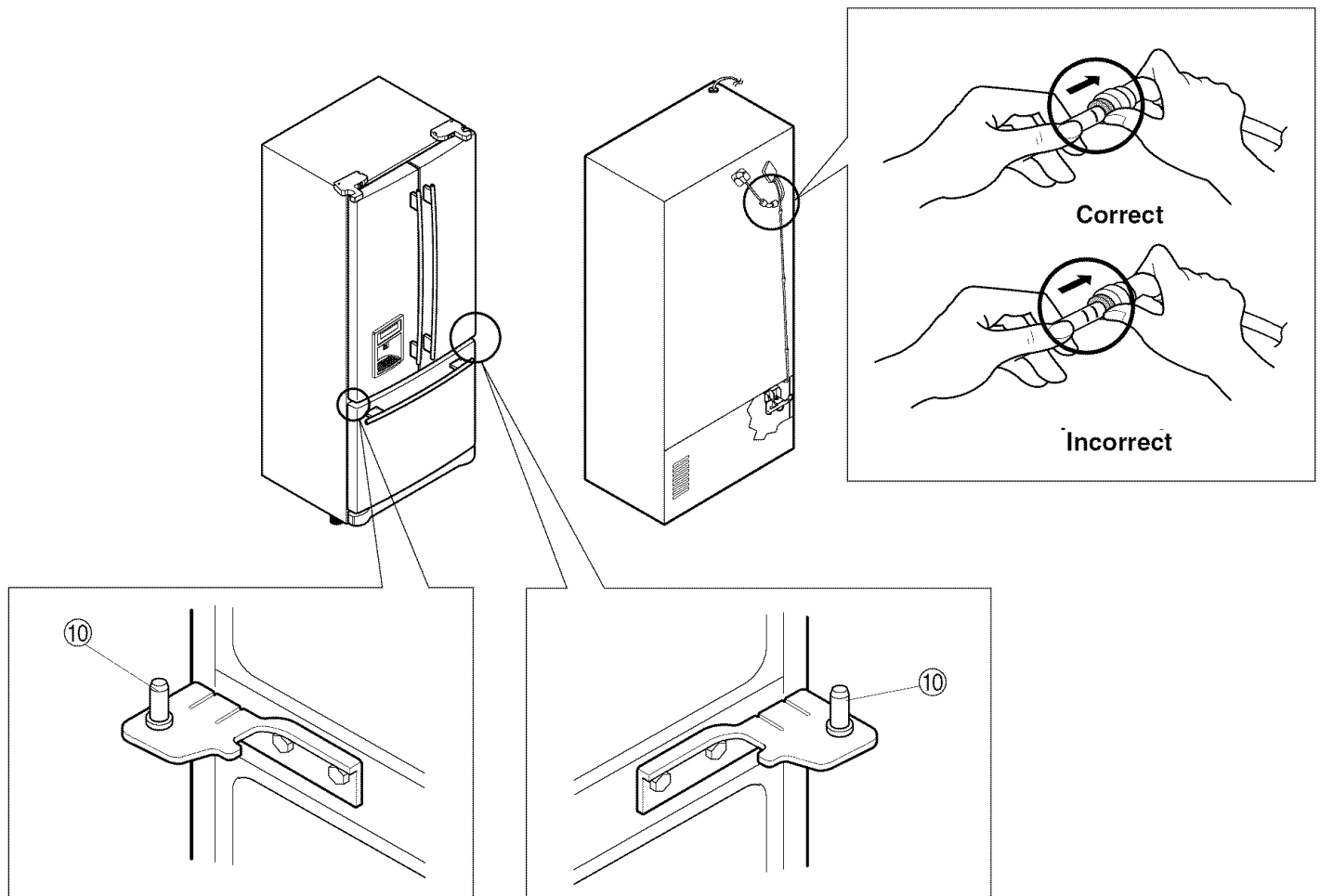
## 2. Réinstallation des portes du réfrigérateur

### ► Porte droite

1. Abaissez la porte sur l'axe de la charnière centrale (10).
2. Encastrez la charnière supérieure (8) sur le verrou du levier de la charnière (9) et à sa place. Insérez le levier de la charnière (7) sur le verrou du levier. Faites tourner le levier dans le sens contraire des aiguilles d'une montre pour fixer la charnière.
3. Installez la vis de terre (6) et connectez le faisceau à trois câbles (5).
4. Connectez le faisceau du câble de l'interrupteur de la porte (2).
5. Accrochez la languette sur le couvercle (3), du côté de l'interrupteur de la porte, sous l'extrémité de l'ouverture destinée au câble dans la partie supérieure du boîtier. Rangez le couvercle à sa place. Insérez et serrez la vis du couvercle (1).

### ► Porte gauche

1. Abaissez la porte sur l'axe de la charnière centrale (10).
2. Encastrez la charnière supérieure (8) sur le verrou du levier de la charnière (9) et à sa place. Insérez le levier de la charnière (7) sur le verrou du levier. Faites tourner le levier dans le sens des aiguilles d'une montre pour fixer la charnière.
3. Installez la vis de terre (6) et connectez le faisceau à trois câbles (5).
4. Connectez le faisceau du câble de l'interrupteur de la porte (2).
5. Insérez le tuyau d'arrivée d'eau (4) à l'intérieur du tube de raccordement jusqu'à ce que vous voyez la marque d'un cran. (Enfoncez complètement le tube sur 5/8" (15mm)).
6. Accrochez la languette sur le couvercle (3), du côté de l'interrupteur de la porte, sous l'extrémité de l'ouverture destinée au câble dans la partie supérieure du boîtier. Rangez le couvercle à sa place. Insérez et serrez la vis du couvercle (1).



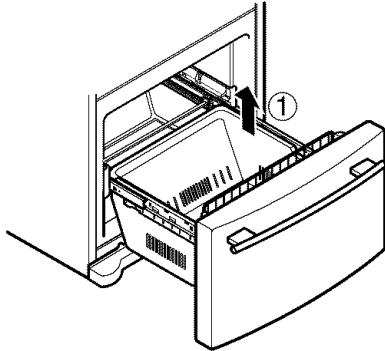
# INSTALLATION DU RÉFRIGÉRATEUR

## COMMENT ENLEVER ET INSTALLER LE TIROIR DÉTACHABLE

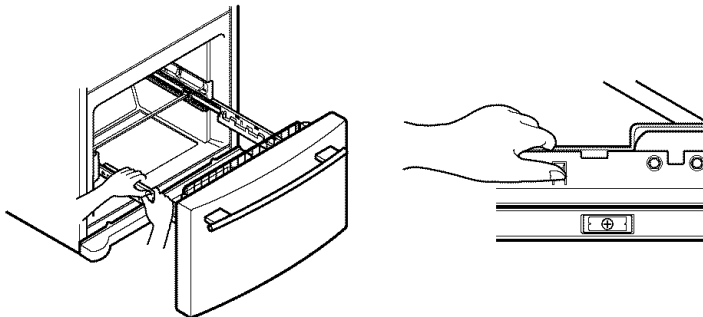
**IMPORTANT:** Afin d'éviter de possibles blessures, des dommages au produit ou d'autres dommages matériels, il faut deux personnes pour suivre les instructions suivantes.

### 1. Extraction du tiroir détachable

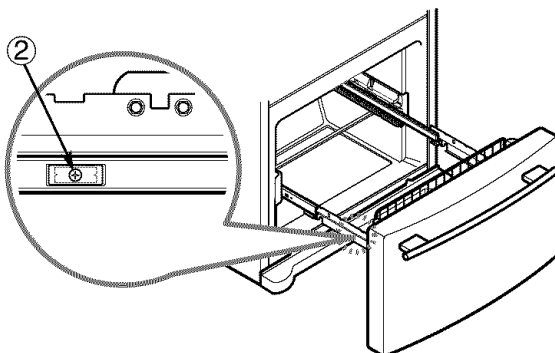
- Tirez du tiroir pour l'ouvrir dans toute sa longueur. Enlevez le panier inférieur (1) en le soulevant du système de guidage.



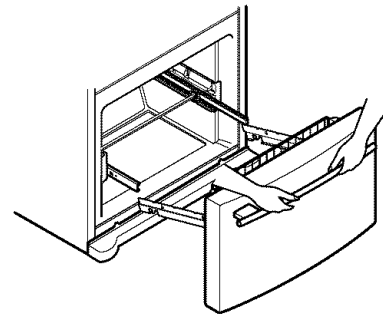
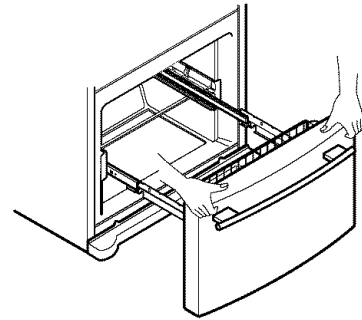
- Appuyez sur les deux bras avec les pouces pour les soulever.
- Séparez les rails gauche et droit du couvercle.



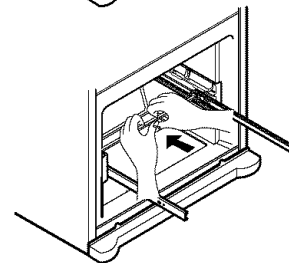
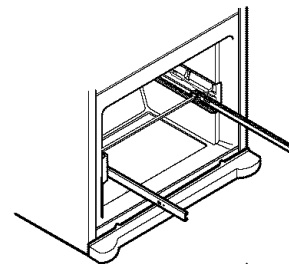
- Retirez les vis(2) du rail des deux côtés.



- Avec les deux mains, maintenez les deux côtés de la porte et tirez pour les séparer.



- Avec les deux mains, maintenez le centre de la barre et poussez-la pour que les deux rails entrent en même temps.



**⚠ ATTENTION:** Lorsque vous enlevez le tiroir, ne saisissez pas la poignée. Si elle est enlevée, vous pourriez subir des blessures.

**⚠ ATTENTION:** Lorsque vous déposez le tiroir sur le plancher, veillez à ne pas endommager le plancher et à ne pas vous faire mail au pied avec les bords affilés du côté de la charnière.

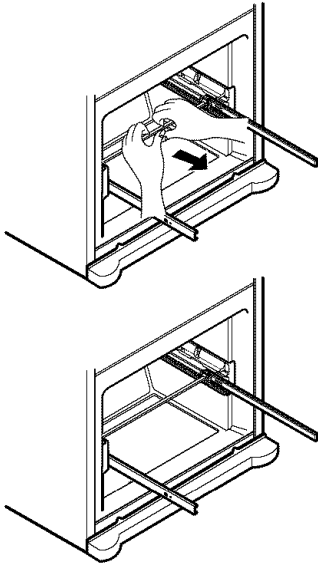
# INSTALLATION DU RÉFRIGÉRATEUR

## COMMENT ENLEVER ET INSTALLER LE TIROIR DÉTACHABLE

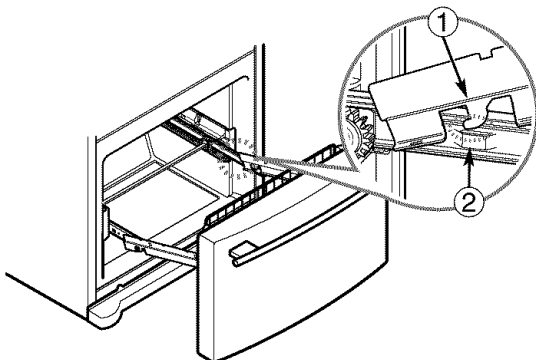
**IMPORTANT:** Afin d'éviter de possibles blessures, des dommages au produit ou d'autres dommages matériels, il faut deux personnes pour suivre les instructions suivantes.

### 2. Installation du tiroir détachable

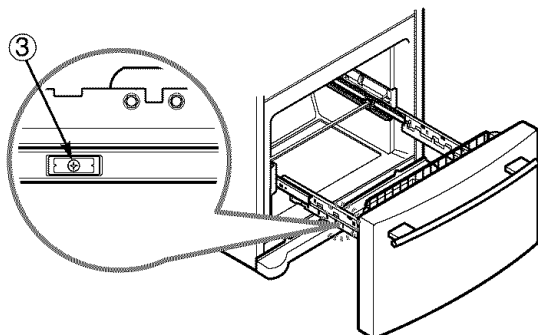
- Avec les deux mains, maintenez le centre de la barre et poussez-la pour que les deux rails se détachent en même temps.



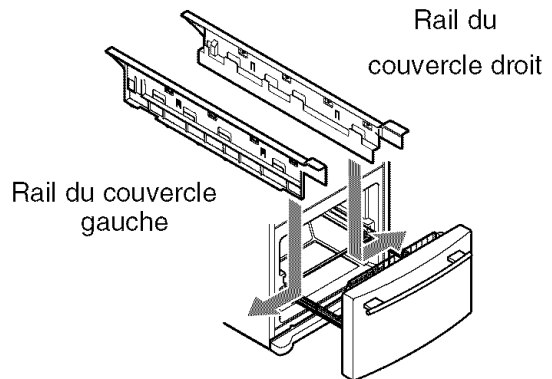
- Montez le connecteur de la porte (1) sur le bras du rail (2).



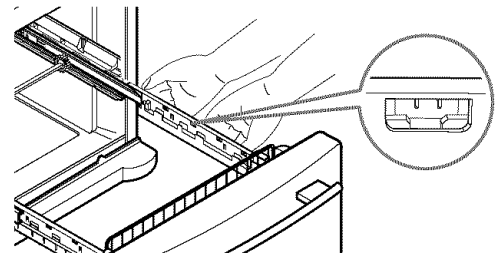
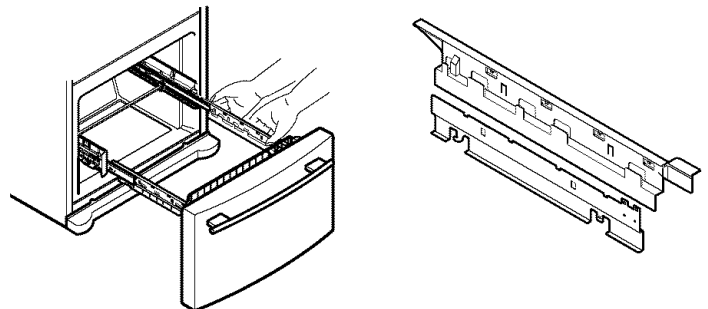
- Poussez vers le bas et fixez le connecteur de la porte en serrant les vis (3).



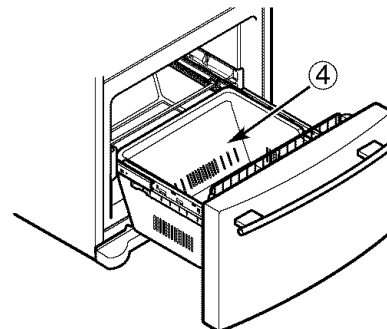
- Vérifiez la forme de gauche et droite du rail du couvercle.



- Alignez les orifices du haut du rail du couvercle avec ceux du bas du connecteur de la porte pour monter le rail du couvercle.



- Avec le tiroir étendu à son extension totale, insérez le panier inférieur (4) dans le système de guidage jusqu'à ce qu'il ne se déplace pas en avant.



- ▲ **AVERTISSEMENT:** Pour éviter que les enfants ou les animaux domestiques puissent rester attrapés ou suffoqués dedans, ne leur permettez pas de jouer dans l'intérieur du tiroir.
- ▲ **AVERTISSEMENT:** Ne marchez ni ne vous asseyez sur la porte du congélateur.

# INSTALLATION DU RÉFRIGÉRATEUR

## NIVELLEMENT ET ALIGNEMENT DE LA PORTE

### Nivellement

Votre réfrigérateur a deux vis de réglage avant – l'une à gauche et l'autre à droite. Si votre réfrigérateur semble instable ou que vous voulez que les portes se ferment plus facilement, réglez l'inclinaison du réfrigérateur en suivant les instructions ci-dessous:

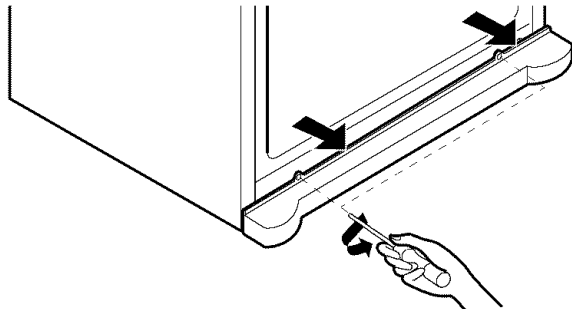
1. Branchez le cordon d'alimentation du réfrigérateur sur une prise à trois fentes avec mise à la terre. Déplacez le réfrigérateur vers sa position finale.

#### Pour retirer le couvercle de la base:

1. Ouvrez le tiroir du congélateur. (Tiroir non représenté pour davantage de clarté.)
2. Lorsque le tiroir est ouvert, le dégagement est suffisant pour retirer les vis situées au-dessus du couvercle.

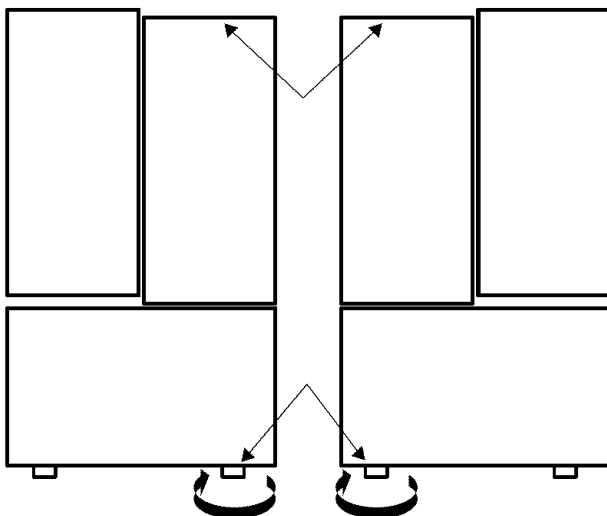
#### Pour remplacer le couvercle de la base:

- Mettez le couvercle en position puis insérez et serrez les vis.



2. Faites tourner la vis de réglage dans le sens des aiguilles d'une montre pour rehausser ce côté du réfrigérateur ou dans le sens contraire des aiguilles d'une montre pour le faire descendre. Il peut être nécessaire de faire tourner la vis de réglage plusieurs fois pour régler l'inclinaison du réfrigérateur.

**REMARQUE:** Si vous demandez à quelqu'un de faire pression contre la partie supérieure du réfrigérateur cela diminue le poids sur les vis de réglage, ce qui rend le réglage des vis plus facile.



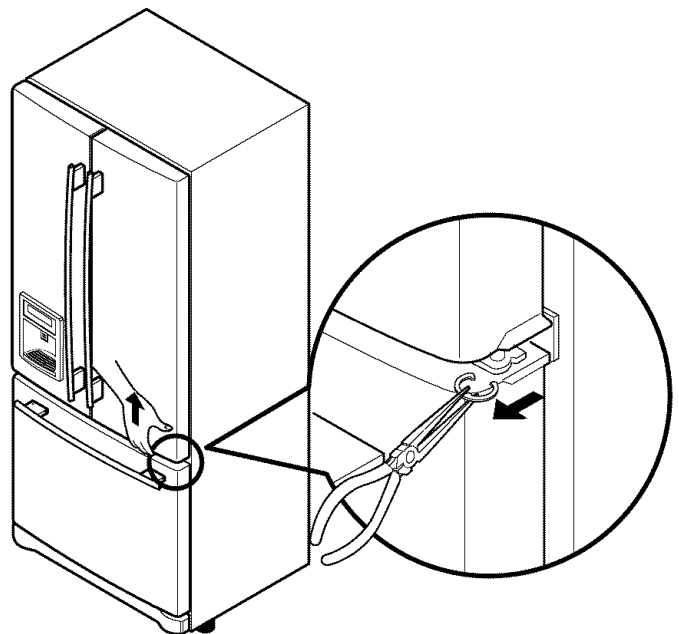
3. Ouvrez encore une fois les deux portes et examinez-les pour vérifier qu'elles se ferment facilement. Autrement, inclinez légèrement le réfrigérateur plus vers l'arrière en faisant tourner les deux vis de réglage dans le sens des aiguilles d'une montre. Il peut être nécessaire de faire tourner la vis de réglage plusieurs fois et vous devez faire tourner les deux vis de réglage le même nombre de fois.
4. Réglez-les de nouveau si besoin.
5. Remplacez le couvercle de la base.

**REMARQUE:** Votre nouveau réfrigérateur est conçu d'une manière unique avec deux portes pour aliments frais. Chaque porte peut être ouverte ou fermée indépendamment de l'autre. Vous aurez peut-être besoin d'exercer une légère pression sur les portes pour les fermer complètement.

### Alignement de la porte

Si l'espace entre les portes est irrégulier, suivez les instructions ci-dessous pour aligner les portes:

1. D'une main, soulevez la porte que vous souhaitez élever au niveau de la charnière du milieu.
2. De l'autre main, utilisez des pinces afin d'insérer l'anneau élastique comme sur l'illustration.
3. Insérez des anneaux élastiques supplémentaires jusqu'à ce que les portes se trouvent l'une en face de l'autre. (Trois anneaux élastiques sont fournis avec l'appareil.)



# UTILISATION DE VOTRE RÉFRIGÉRATEUR

## RÉGLAGE DES COMMANDES

### Température

- Votre réfrigérateur est pourvu d'un dispositif de commande situé sur le distributeur, vous permettant de régler la température dans les compartiments du congélateur et du réfrigérateur.
- Initialement, réglez la commande du réfrigérateur sur 37°F (3°C) et celle du congélateur sur 0°F (-18°C). Ne modifiez pas ces réglages pendant 24 heures (une journée) pour permettre au système de se stabiliser. Réglez alors la température des compartiments à votre gré.



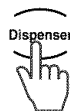
- Chaque fois que vous appuyez sur la touche de réglage de la température du congélateur, la température change comme il suit : "0" → "-1" → "-2" → "-3" → "-4" → "-6" → "8" → "6" → "5" → "4" → "3" → "2" → "1" → "0".
- Chaque fois que vous appuyez sur la touche de réglage de la température du réfrigérateur, la température change comme il suit : "37" → "36" → "35" → "34" → "33" → "46" → "45" → "44" → "43" → "42" → "41" → "40" → "39" → "38" → "37".

### ICE PLUS [PLUS DE GLACE]

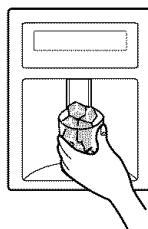
- Lorsque vous appuyez sur la touche « ICE PLUS », le dessin [🌀] s'allume et reste allumé dans l'afficheur pendant 24 heures. Il s'éteint automatiquement une fois ces 24 heures passées. Ou bien, vous pouvez annuler cette fonction en appuyant de nouveau sur la touche « ICE PLUS ».
- Cette fonction augmente aussi bien la capacité de production de glace que celle de congélation.

### Distributeur

- Veuillez sélectionner water [eau], crushed ice [glaçons écrasés] ou cubed ice [glaçons en cube] en appuyant sur la touche Dispenser en fonction de votre choix.



- Il peut y avoir quelques égouttements après la distribution. Il est recommandé de garder votre tasse pendant quelques secondes après distribution.



**Remarque :** Le distributeur ne fonctionne pas lorsque la porte est ouverte.

### Filtre

- Remplacement du filtre : Lorsque le voyant FILTER RESET s'allume, vous devez changer le filtre à eau. Maintenez le bouton FILTER RESET enfoncé pendant 3 secondes pour éteindre le voyant. Vous devez changer le filtre à eau tous les 6 mois environ.

**⚠ AVERTISSEMENT:** Si vous ouvrez la porte, le distributeur d'eau ne fonctionnera pas.

### Lumière / Capteur de lumière

- Si la lumière est réglée en mode "automatique", la lumière du distributeur s'allumera ou s'éteindra automatiquement selon la luminosité de la pièce, détectée par le capteur de lumière.

### Alarme

- Lorsque le réfrigérateur est mis sous tension, l'alarme de la porte est au début réglée sur OFF [désactivée], et s'affichera sur l'écran d'affichage. Lorsque vous appuyez sur la touche , s'affiche pour indiquer que la fonction d'alarme de la porte est activée.
- Si la porte du réfrigérateur ou celle du congélateur sont laissées ouvertes pendant plus de 60 secondes, le signal d'alarme se déclenche pour indiquer qu'il y a une porte ouverte.
- Lorsque vous refermez la porte, l'alarme de la porte s'arrête.
- Si vous souhaitez désactiver la fonction d'alarme de la porte, appuyez sur la touche ; s'affichera à l'écran.

### Verrouillage

- Lorsque le réfrigérateur est mis sous tension pour la première fois, la fonction de verrouillage est réglée sur OFF [désactivée].
- Si vous souhaitez activer la fonction de verrouillage pour bloquer d'autres touches, appuyez sans relâcher pendant 3 secondes ou plus sur la touche . L'indicateur s'affiche pour indiquer que la fonction de verrouillage est activée.
- Lorsque la fonction de verrouillage est activée, aucune touche, y comprise celle du distributeur, ne fonctionnera, à l'exception de la touche .
- Pour désactiver la fonction de verrouillage, appuyez sans relâcher pendant 3 secondes ou plus sur la touche .

### Fonction de commutation du mode d'affichage de la température (°F < - > °C)

- Si vous souhaitez convertir les degrés Fahrenheit en degrés Celsius ou vice versa, appuyez simultanément et sans relâcher pendant 5 secondes ou plus sur les touches et .

## POUR GARANTIR UNE CIRCULATION DE L'AIR APPROPRIÉE

Veillez à ce qu'aucun objet ou aliment ne bloque les canaux d'air ; en effet, la circulation de l'air empêche la perte de nourriture due à un manque d'air de refroidissement.



# UTILISATION DE VOTRE RÉFRIGÉRATEUR

## ▲ MISES EN GARDE

**Jetez les 20 premiers glaçons faits et les 7 premiers verres d'eau distribuée après installation.**  
Ceci est également recommandé si le réfrigérateur n'a pas été utilisé pendant une longue période.

### **Maintenez les enfants loin du distributeur**

Autrement, ils peuvent jouer avec l'appareil et / ou endommager les commandes.

**Le stockage de boîtes ou autres articles à l'intérieur du récipient à glaçons risque d'endommager la machine à glaçons.**

**N'utilisez jamais de verre en cristal fin ni de poterie pour ramasser les glaçons.**

De tels verres ou récipients risquent de se casser.

**Jetez d'abord les glaçons dans un verre avant de distribuer l'eau.**

L'eau risque de provoquer des éclaboussures si ceci est fait à l'envers...

**Maintenez les mains et autres outils éloignés de la porte du réservoir à glaçons et du conduit du distributeur...**

Autrement, vous risquez de casser quelque chose ou de vous blesser.

**Secouez de temps en temps le récipient à glaçons pour mettre à niveau les glaçons à l'intérieur de celui-ci.**

Parfois, les glaçons s'accumulent près de la machine à glaçons, ce qui fait que la machine à glaçons interprète de manière erronée la quantité de glaçons existante et, par conséquent, cesse d'en produire.

**N'utilisez jamais de verres étroits ou profonds.**

De la glace pourrait être coincée à l'intérieur du conduit du distributeur et de ce fait, le réfrigérateur pourrait fonctionner de manière incorrecte.

**Maintenez les verres à une distance appropriée du conduit du distributeur.**

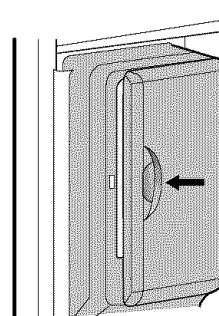
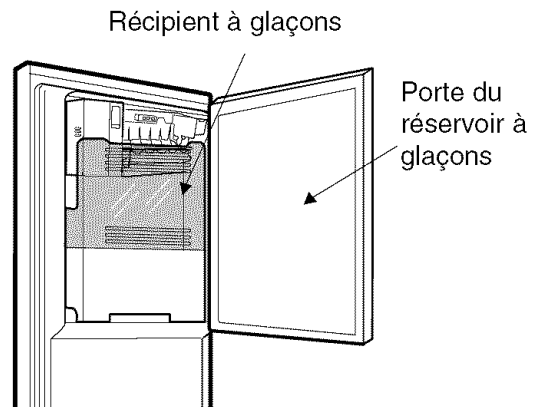
Un verre placé trop près de la sortie risque d'empêcher les glaçons de sortir.

**Fermez hermétiquement la porte du réservoir à glaçons après l'avoir ouverte.**

Si la porte du réservoir à glaçons n'est pas fermée de manière hermétique, l'air froid du réservoir à glaçons risque de se répandre à l'intérieur du compartiment du réfrigérateur et de surgeler les aliments. En plus, ceci risque de provoquer que la machine à glaçons arrête de produire des glaçons.

**Fermez la porte du pièce de glace (freezer) jusqu'à ce que vous entendiez un petit coup.**

Si la porte n'est pas correctement fermée, la glace du pièce de glace peut fondre, du givre ou de la glace pourrait se former à l'intérieur du réfrigérateur.

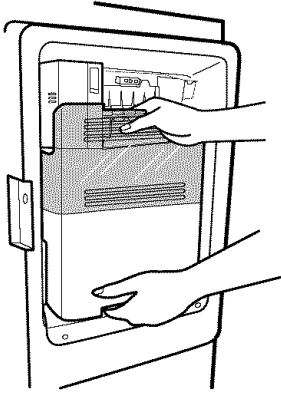


# UTILISATION DE VOTRE RÉFRIGÉRATEUR

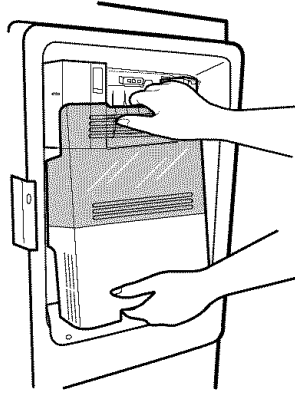
## UTILISATION D'UN NOUVEAU BAC À GLAÇONS DE PORTE

La machine à glaçons arrêtera de faire des glaçons lorsque le bac à glaçons deviendra plein. Si vous avez davantage besoin de glaçons, veuillez utiliser le récipient à glaçons supplémentaire qui se trouve dans le compartiment du congélateur, de sorte que la machine à glaçons puisse continuer à en produire.

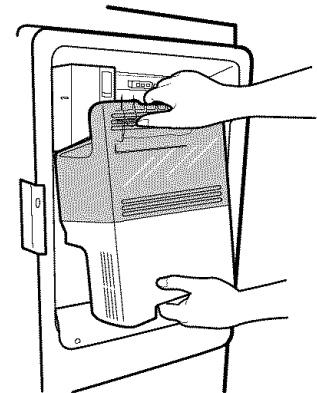
**Comment enlever le bac à glaçons de la porte.**



1. Saisissez la poignée, tel que montré dans la figure.

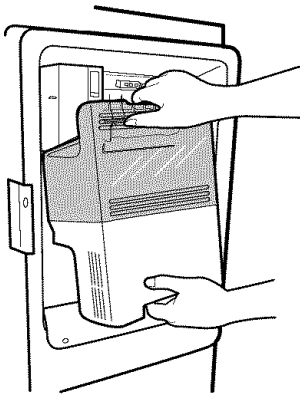


2. Soulevez légèrement la partie inférieure.

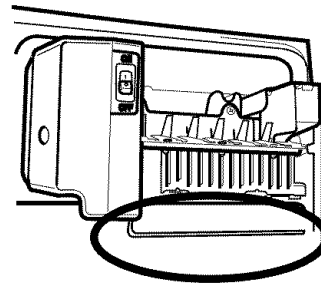


3. Enlevez doucement le bac à glaçons.

**Comment réinstaller le bac à glaçons de la porte.**



1. Remplacez le bac à glaçons en l'inclinant légèrement pour éviter de toucher la machine à glaçons.



\* Évitez de toucher le bras de commande en broche lors du remplacement du récipient à glaçons.

## RÉGLAGE DE LA CONFIGURATION DES COMMANDES

Laissez du temps au réfrigérateur pour qu'il refroidisse complètement l'air avant de faire les réglages finaux. Il vaut mieux d'attendre 24 heures avant d'établir la configuration finale. Les réglages intermédiaires indiqués dans la section précédente doivent être corrigés pour une utilisation ménagère normale du réfrigérateur. Les commandes sont correctement réglées lorsque le lait et le jus sont aussi frais que vous voulez et que la crème glacée est ferme.

La commande du réfrigérateur fonctionne comme un thermostat pour l'appareil tout entier (compartiments réfrigérateur et congélateur). Plus haut est le numéro auquel cette commande est réglée, plus longtemps marchera le compresseur pour maintenir la température plus froide. La commande du congélateur règle le flux d'air refroidi du congélateur au réfrigérateur. Régler la commande du congélateur à une température plus froide maintient plus frais l'air dans le compartiment du congélateur pour le refroidir encore plus.

Si vous avez besoin de régler les températures dans le réfrigérateur ou le congélateur, commencez par régler celle du réfrigérateur. Ensuite, attendez 24 heures avant de vérifier la température dans le congélateur. Si elle est trop chaude ou trop froide, réglez alors la commande du congélateur.

Utilisez les configurations listées dans le tableau ci-dessous comme un guide.

Rappelez-vous toujours d'attendre au moins 24 heures entre deux réglages.

### CONDITION/ CAUSE:

### RÉGLAGE RECOMMANDÉ:

- RÉFRIGÉRATEUR trop chaud.
- Ouverture fréquente de la porte.
- Grande quantité d'aliments ajoutée.
- Température ambiante trop chaude.

Réglez la commande du RÉFRIGÉRATEUR vers le numéro plus bas suivant, attendez 24 heures, puis vérifiez de nouveau.

- CONGÉLATEUR trop chaud / production de glace insuffisamment rapide.
- Ouverture fréquente de la porte.
- Grande quantité d'aliments ajoutée.
- Température ambiante trop froide (le moteur ne se met pas en marche suffisamment souvent).
- Utilisation intense de glace.
- Grilles d'aération obstruées par des éléments.

Réglez la commande du CONGÉLATEUR vers le numéro plus bas suivant, attendez 24 heures, puis vérifiez de nouveau. Déplacez les éléments hors du courant d'air.

- RÉFRIGÉRATEUR trop froid.
- Commandes incorrectement réglées pour les conditions de fonctionnement actuelles.

Réglez la commande du RÉFRIGÉRATEUR vers le numéro plus haut suivant, attendez 24 heures, puis vérifiez de nouveau.

- CONGÉLATEUR trop froid.
- Commandes incorrectement réglées pour les conditions de fonctionnement actuelles.

Réglez la commande du CONGÉLATEUR vers le numéro plus haut suivant, attendez 24 heures, puis vérifiez de nouveau.

## GUIDE POUR LE STOCKAGE D'ALIMENTS

Pour ranger les aliments dans le réfrigérateur, enveloppez-les ou rangez-les dans des récipients étanches et imperméables à l'air, sauf indication contraire. Ceci évite le transfert de l'odeur et du goût des aliments à travers le réfrigérateur. Pour les produits datés, vérifiez le code de la date pour garantir leur fraîcheur.

Élément	Comment faire
<b>Beurre ou margarine</b>	▶ Maintenez le beurre ouvert dans un récipient ou un compartiment fermé. Si vous rangez un stock de réserve, enveloppez-le dans un emballage pour congélation et congelez-le.
<b>Fromage</b>	▶ Stockez-le dans son emballage original jusqu'à son utilisation. Après l'avoir ouvert, enveloppez-le de nouveau hermétiquement dans une pellicule plastique ou du papier aluminium.
<b>Lait</b>	▶ Nettoyez les cartons à lait. Pour un meilleur stockage, rangez le lait sur une tablette intérieure, non pas sur une tablette de porte.
<b>Oeufs</b>	▶ Rangez les oeufs dans leur emballage d'origine ou dans la Boîte à oeufs de l'étagère intérieure, pas dans l'étagère de la porte.
<b>Fruits</b>	▶ Lavez-les, laissez-les sécher et rangez-les dans des sacs de plastique ou dans le bac à légumes à l'intérieur du réfrigérateur. Ne lavez ni n'épluchez le raisin jusqu'à ce vous soyez prêt à l'utiliser. Rangez et conservez le raisin dans leur récipient original dans un bac à légumes, ou rangez-le dans un sac en papier partiellement fermé sur une tablette du réfrigérateur.
<b>Légumes-feuille</b>	▶ Enlevez l'emballage employé pour leur stockage et coupez légèrement ou jetez les zones meurtries et décolorées. Lavez-les avec de l'eau froide et égouttez-les. Placez-les dans des sacs en plastique ou des conteneurs en plastique et rangez-les dans le bac à légumes.
<b>Légumes avec peau (carottes, poivrons)</b>	▶ Placez-les dans des sacs en plastique ou dans des récipients en plastique et rangez-les dans le bac à légumes.
<b>Poisson</b>	▶ Utilisez le poisson frais et les crustacés et mollusques le même jour où vous les avez achetés.
<b>Restes</b>	▶ Couvrez les restes avec du film plastique ou du papier aluminium. Vous pouvez également utiliser des récipients en plastique munis de couvercles hermétiques.

## STOCKAGE D'ALIMENTS CONGELÉS

**REMARQUE:** Pour tout renseignement supplémentaire concernant la préparation d'aliments pour sa congélation ou les temps de stockage des aliments, vérifiez le mode d'emploi du congélateur ou un livre de cuisine fiable.

### Emballage

Une congélation réussie dépend d'un emballage correct. Si vous fermez et scellez l'emballage, il ne doit pas permettre l'entrée ou la sortie d'air ou d'humidité. Si cela arrive, il pourrait y avoir un transfert de l'odeur et du goût des aliments à travers le réfrigérateur ainsi qu'une déshumidification des aliments congelés.

### Emballages recommandés:

- Des contenants en plastique rigide avec couvercles hermétiques;
- des boîtes/récipients pour congélation cylindriques;
- des feuilles d'aluminium très résistantes;
- du papier plastifié;
- de la pellicule plastique imperméable;
- des sacs de plastique refermables spécifiées pour congélation.

Suivez les instructions figurant sur l'emballage ou le récipient pour appliquer des méthodes de congélation appropriées.

### N'employez pas de:

- sacs de pain;
- contenants de plastiques non fabriqués en polyéthylène;
- contenants n'ayant pas de couvercles hermétiques;
- papier ciré ou papier paraffiné pour congélation;
- film plastique mince, semi-perméable.

**⚠ ATTENTION:** Ne pas conserver de cannettes de boisson ou de récipient en plastique dans le compartiment du congélateur. Ceux-ci risquent de se briser lors de la congélation.

### Congélation

Votre congélateur ne congelera pas rapidement une grande quantité d'aliments. Ne rangez pas plus d'aliments décongelés dans le congélateur que la quantité qu'il peut congeler dans 24 heures (pas plus de 2 à 3 livres d'aliments par pied cube d'espace dans le congélateur). Laissez suffisamment d'espace dans le congélateur pour que l'air circule autour des emballages. Veillez à laisser suffisamment d'espace devant l'unité de telle façon que la porte ferme hermétiquement.

Les temps de stockage varieront en fonction de la qualité et du type d'aliment, du type d'emballage ou de couverture utilisé (imperméable à l'air et étanche) ainsi que de la température de stockage. La présence de cristaux de glace à l'intérieur d'un emballage scellé est normale. Ceci signifie tout simplement que l'humidité dans

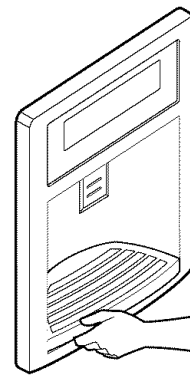
les aliments et l'air à l'intérieur de l'emballage s'est condensée, formant ainsi des cristaux de glace.

**REMARQUE:** Laissez les aliments chauds refroidir à la température ambiante pendant 30 minutes, puis emballez-les et congelez-les. Faire refroidir les aliments chauds avant de les congeler économise de l'énergie.

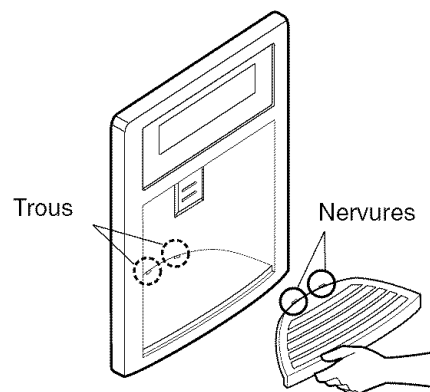
## COMPARTIMENT RÉFRIGÉRATEUR

### DISTRIBUTEUR DE L'EAU

Le plateau peut être facilement enlevé en le serrant et en tirant.



Inclinez vers le haut de l'avant du plateau légèrement et cassez les nervures dans les trous pour remplacer le plateau.



# UTILISATION DE VOTRE RÉFRIGÉRATEUR

## LES TABLETTES DU RÉFRIGÉRATEUR

Les tablettes de votre réfrigérateur sont réglables pour s'adapter à vos besoins de stockage. Votre modèle peut avoir de tablettes de verre ou de clayettes métalliques.

Si vous stockez des produits alimentaires similaires dans le même compartiment de votre réfrigérateur et si vous réglez les tablettes selon les différentes hauteurs des produits, vous pourrez trouver le produit voulu plus facilement. Cela contribuera aussi à réduire la quantité de temps que la porte du réfrigérateur restera ouverte, ce qui vous permettra de faire des économies d'énergie.

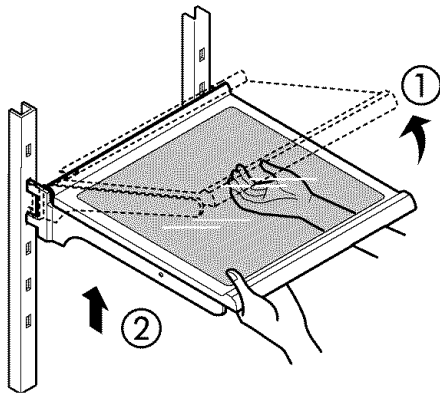
**IMPORTANT:** Ne nettoyez pas les tablettes de verre avec de l'eau chaude lorsqu'elles sont froides. Les tablettes pourraient se briser si elles sont soumises à des changements de température brusques ou des impacts, tels que des coups. Pour votre sécurité, les tablettes de verre sont fabriquées en verre trempé, lequel se brisera, le cas échéant, dans de très petits morceaux.

**REMARQUE:** Les tablettes de verre sont lourdes. Si vous les enlevez, ayez beaucoup de soin de ne pas les laisser tomber.

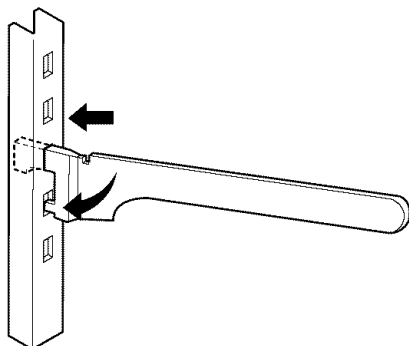
### Réglage des tablettes

Enlevez les tablettes de leur position originelle et replacez-les selon votre préférence.

- **Pour enlever une tablette**—Inclinez le front de la tablette dans le sens (1) et tirez-le dans le sens (2). Retirez la tablette.



- **Pour replacer une tablette**—Inclinez le front de la tablette et insérez les crochets de la tablette dans les rainures à la hauteur désirée. Puis, abaissez le front de la tablette pour que les crochets s'insèrent complètement dans les rainures respectives.

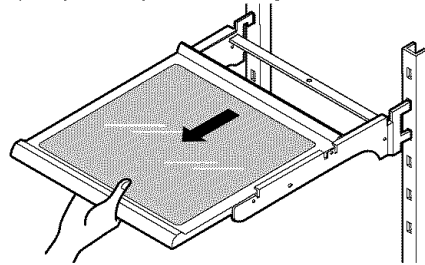


- ▲ **ATTENTION:** Assurez-vous que les tablettes sont au même niveau des deux côtés. Autrement, la tablette ou les aliments y contenus peuvent tomber.

### Glissement des tablettes

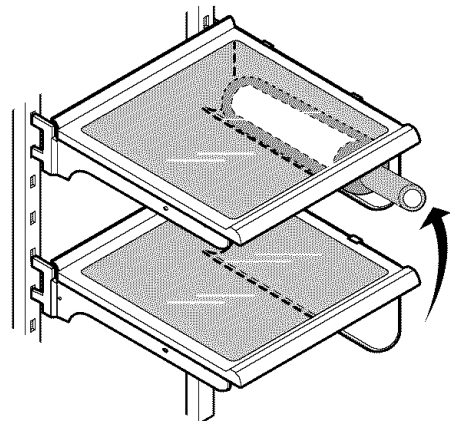
Vous pouvez faire glisser vers l'extérieur et vers l'intérieur les tablettes de verre de votre réfrigérateur comme suit.

- **Pour faire glisser la tablette vers l'extérieur**, tirez vers vous le front de la tablette avec soin.
- **Pour faire glisser la tablette vers l'intérieur**, poussez la tablette jusqu'à la position originelle.

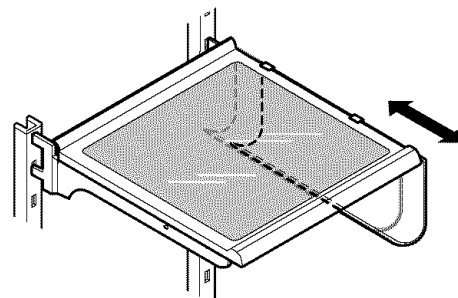


### PORTE-BOUTEILLES (Seulement 795.7757\* Modèle)

Avec ce porte-bouteilles, vous pouvez stocker les bouteilles horizontalement. Ce dispositif peut être ajouté à n'importe quelle tablette.

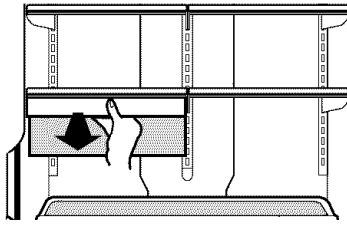


Le porte-bouteilles peut être installé sur le bord de la tablette choisie et être enlevé en le poussant vers l'extérieur.



## Plateau à casse-croûte (sur certains modèles)

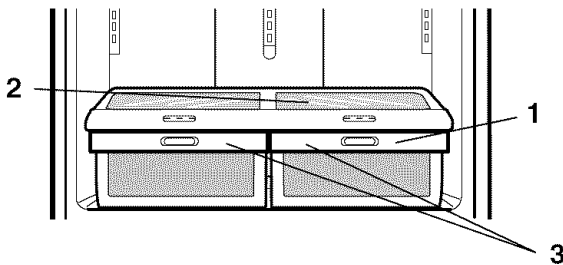
Tout en tenant le "chef fresh" avec une main, tirez-le légèrement en avant.



## BACS À LÉGUMES

Les pacs à légumes d'Optibin fournissent l'air frais-échantillon et les légumes en vous laissant commander facilement l'humidité à l'intérieur du pac à légumes. Les pacs à légumes d'Optibin incluent:

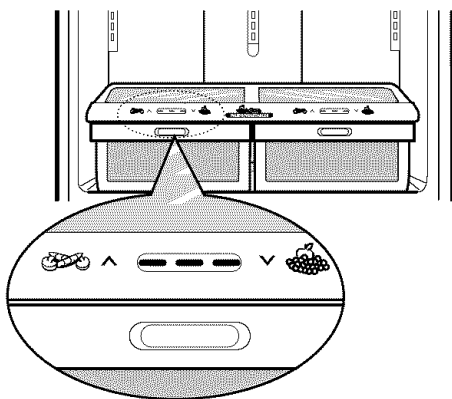
1. Un bouton de commande d'humidité au front de la couverture plus croquante et.
2. Un grand treillis sur la surface intérieure de la couverture pour tenir ou libérer l'humidité.
3. Inclinez-dehors le compartiment sur l'avant du tiroir plus croquant.



## CONTRÔLE D'HUMIDITÉ DU BAC

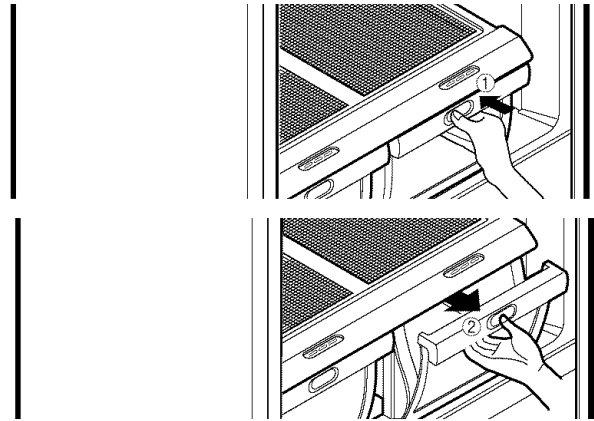
L'on peut contrôler la quantité d'humidité dans les bacs scellés. Régler le contrôle entre ^ et v .

- ^ Garde l'air humide dans le bac (pour des légumes à feuilles plus frais)
- v Laisse sortir l'air humide du bac (pour les fruits).



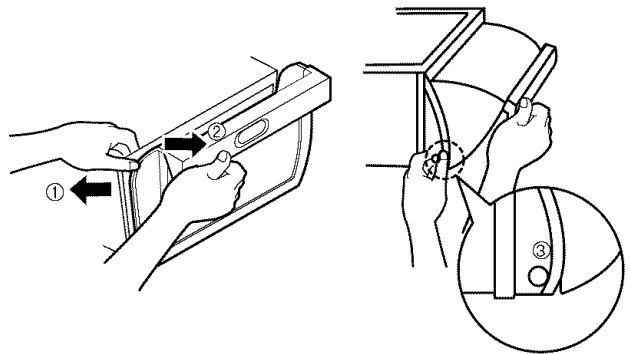
## BAC À LÉGUMES AVEC LE DISPOSITIF DE INCLINAISON

Inclinez-dehors le compartiment sur l'avant du pac à légumes est pour des articles a stocké mieux dans la basse humidité telle que des pommes et des oranges. L'avant du compartiment est transparent pour vous permettre de voir le contenu de compartiment. Poussez le bouton.



## Pour retirer le bac

1. Tirer le bac jusqu'à la butée.
2. Soulever le devant.
3. Faire glisser complètement le bac.
4. Replacer le bac en le faisant glisser complètement et en passant la butée.

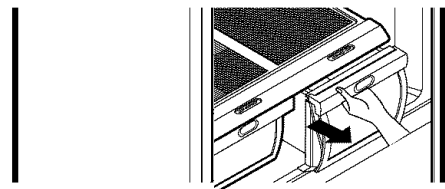


## ENLEVEMENT DES BACS A LEGUMES

### ► Bacs à légumes sans glissières

#### Pour enlever le pac à légumes:

1. Glissez le droit plus croquant dehors à l'arrêt.
2. Soulevez l'avant du pac à légumes, puis tirez-le pour enlever.
3. Remplacez le pac à légumes en le glissant en arrière dedans entièrement après l'arrêt de tiroir.

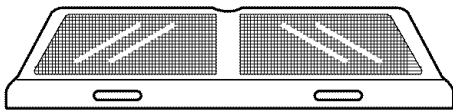


# UTILISATION DE VOTRE RÉFRIGÉRATEUR

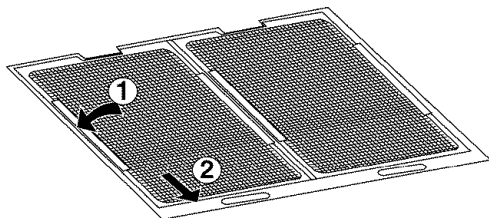
## COUVERCLE A CROCHET AVEC GRILLE SUR LA SUPERFICIE INTERNE

**ATTENTION:** Faites attention en manipulant le couvercle car la plaque de verre n'est pas fixée au couvercle.

### Pour quitter la grille de la superficie interne

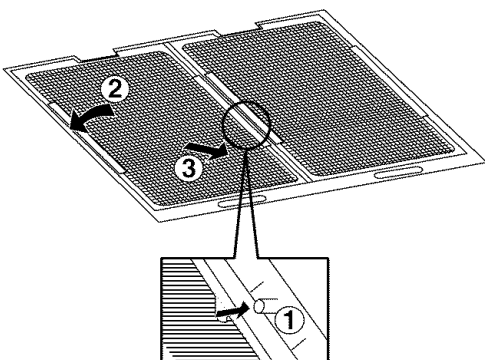


1. Quittez le couvercle à crochet (voir illustration ci-dessus).
2. Tenir la plaque de verre et retournez le couvercle à crochet.
3. Pour quitter chaque grille, tenir la grille et tirez les coulisses du couvercle vers l'extérieur.



### Pour remplacer la grille de la superficie interne:

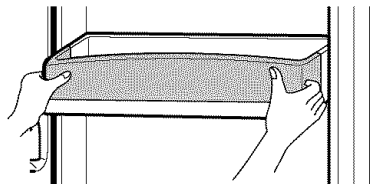
1. Tirez les côtés de chaque armature de treillis à l'extérieur pour réinsérer des étiquettes de treillis dans l'armature.
2. Glissez l'armature de couverture de nouveau dans le réfrigérateur et solidement sur l'appui d'armature.
3. Placez la couverture de verre en arrière sur le dessus de l'armature de couverture.



## CASIERS MODULAIRES DE PORTE

Les balconnets de la porte sont démontables pour vous permettre de le nettoyer et de les régler facilement.

1. Pour démonter un bac, simplement tirez-le vers le haut et retirez-le.
2. Pour le replacer, glissez-le dans le support désiré et poussez-le jusqu'au fond.

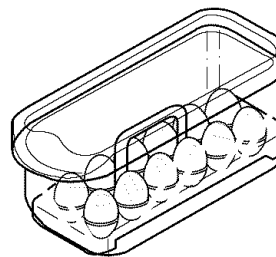


- ▶ **AVERTISSEMENT:** Il peut être dangereux de ne pas installer solidement les balconnets de la porte.
- ▶ **REMARQUE:** NE DÉMONTÉZ PAS un bac contenant des aliments.
- ▶ **ATTENTION:** NE PERMETTEZ PAS aux enfants de jouer avec les paniers. Les coins aiguisés des paniers peuvent les blesser

## PORTE-OEUF

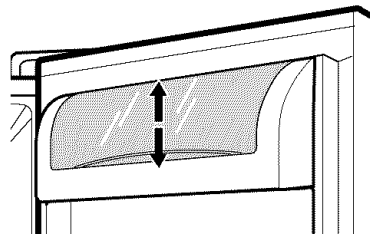
Rangez les oeufs dans la Boîte à oeufs de l'étagère intérieure, pas dans l'étagère de la porte.

- ▲ **ATTENTION:** N'utilisez pas la boîte à oeufs pour conserver de la glace dans le compartiment du congélateur. La boîte à oeufs risque de se briser facilement en cas de congélation.



## COMPARTIMENT À PRODUITS LAITIERS

1. Pour enlever le compartiment à produits laitiers, simplement levez-le et retirez-le.
2. Pour replacer le compartiment à produits laitiers, glissez-le dans la position désirée et poussez-le jusqu'au fond.



## COMPARTIMENT CONGÉLATEUR

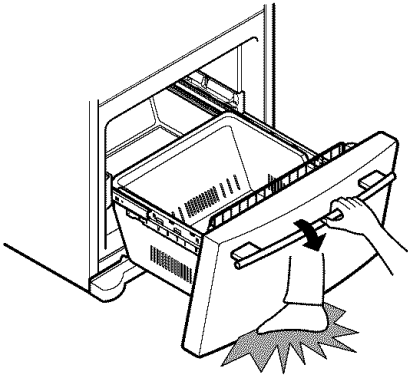
### PORTE INCLINABLE

La porte inclinable permet un accès facile aux aliments.

#### Comment utiliser:

Incliner la porte et tirer.

**▲ AVERTISSEMENT:** Faire attention aux pieds en inclinant la porte.



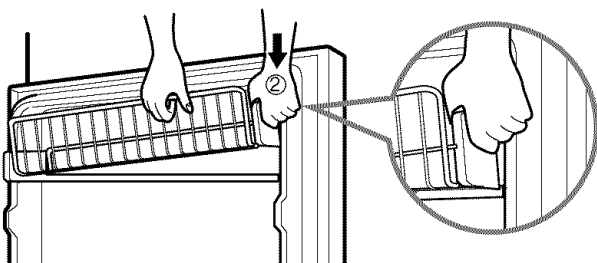
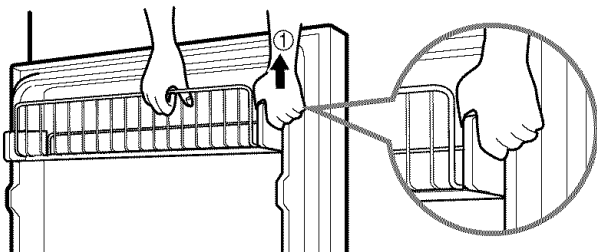
### PANIER DE LA PORTE DU CONGÉLATEUR

#### Extraction du panier

1. Tirez l'un des supports vers le haut.
2. Retirez le panier des deux supports.

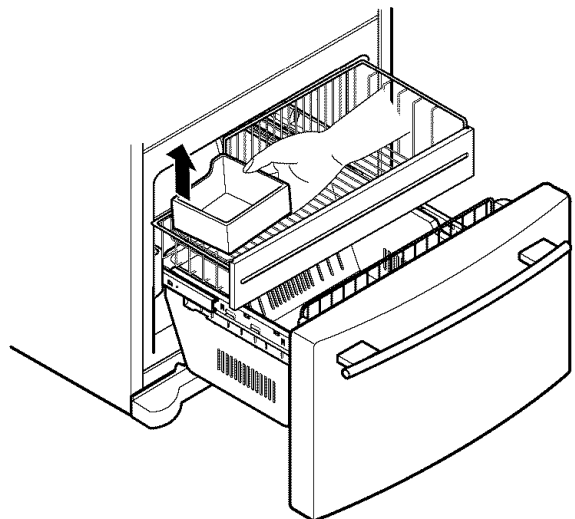
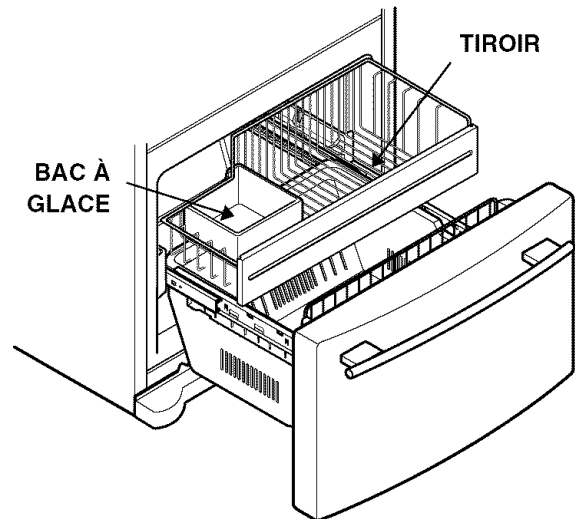
#### Remise en place du panier

1. Insérez le support dans l'un des côtés. Accrochez l'extrémité du panier à l'intérieur du support.
2. Accrochez l'autre extrémité du panier à l'intérieur de l'autre support. Poussez le support vers le bas pour le mettre en place.
3. Assurez-vous que l'arrière du panier passe derrière la languette de rétention de chaque support.



## BAC À GLACE

1. Pour retirer le bac à glace, tirez le tiroir autant que possible.
2. Soulevez doucement et retirez le bac à glace.
3. Pour réinstaller, tirez le tiroir autant que possible, mettez le bac à glace en position correcte puis repoussez le tiroir.

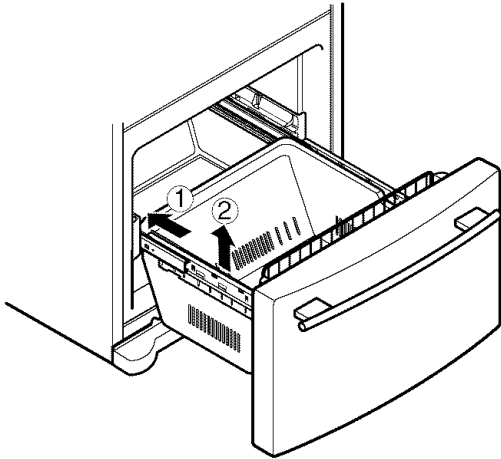




# UTILISATION DE VOTRE RÉFRIGÉRATEUR

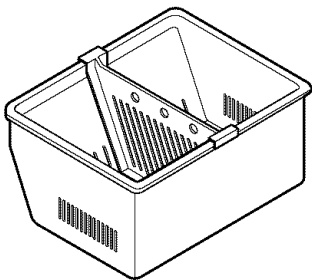
## DURABASE

1. Pour enlever le Durabase, ouvrez-le au complet. Inclinez le front du Durabase et retirez-le.
2. Pour le réinstaller, introduisez le Durabase dans les coulisses.



## CLOISON DU DURABASE

La cloison du Durabase vous permet d'organiser l'espace du Durabase dans deux secteurs.



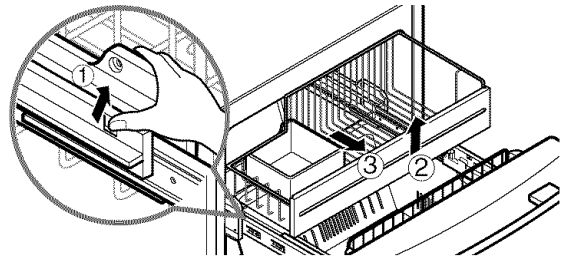
1. Pour l'enlever, poussez la cloison vers l'extérieur.
2. Pour la réinstaller, accrochez les coins supérieurs de la cloison au bord supérieur du durabase.

**▲ AVERTISSEMENT:** Si tiroir du congélateur est ouvert, les enfants peuvent tomber à l'intérieur.

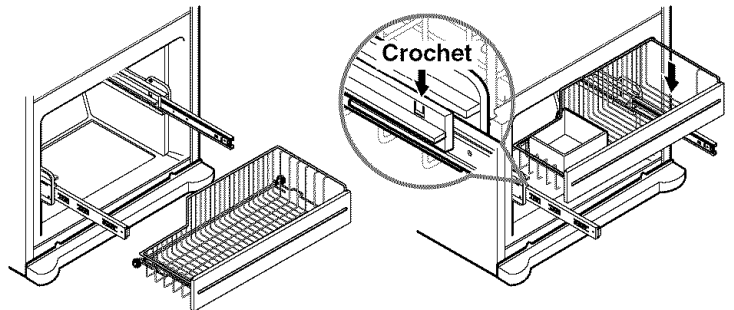
## TIROIR COULISSANT

Changement d'instruction à partir du changement de disposition

Pour retirer le tiroir, poussez les crochets avant gauche et droit vers ① pour tirer vers le haut et retirez le tiroir. Soulevez doucement l'engrenage des côtés gauche et droit du tiroir et tirez vers ③.



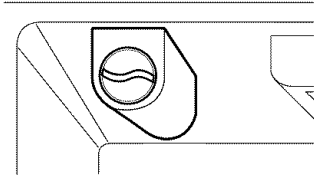
Pour réinstaller, repositionnez l'engrenage des côtés gauche et droit du tiroir après avoir tiré sur les rails autant que possible. Poussez doucement les côtés gauche et droit en vérifiant le crochet avant.



# UTILISATION DE VOTRE RÉFRIGÉRATEUR

## FILTRE A EAU

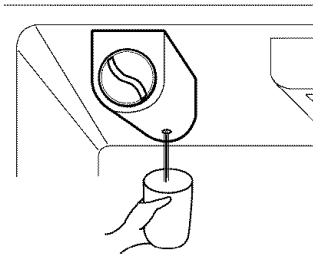
Il est recommandé de changer le filtre lorsque le voyant du filtre à eau s'allume ou lorsque vous observez une diminution de la performance de votre distributeur ou de celle de votre machine à glaçons.



Après avoir changé la cartouche du filtre à eau, réinitialisez l'affichage de l'état du filtre à eau ainsi que le voyant en maintenant le bouton enfoncé pendant 3 secondes.

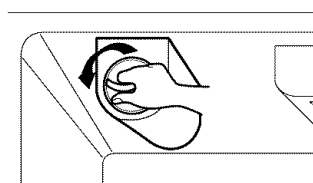
### 1. Enlevez la vieille cartouche.

Veillez placer un récipient sous l'orifice du support du filtre.

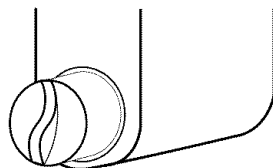


**REMARQUE :** Lors de l'enlèvement du filtre, de l'eau s'écoule à travers le trou.

Faites tourner la poignée de la cartouche dans le sens des aiguilles d'une montre.



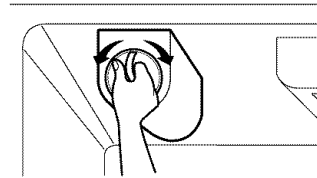
Retirez la cartouche du filtre.



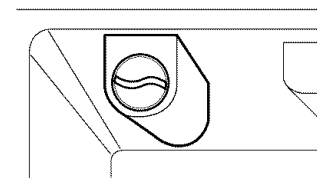
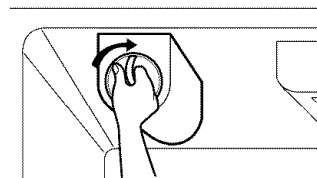
### 2. Remplacez la cartouche par une cartouche neuve.

Retirez la cartouche neuve de son emballage puis retirez l'enveloppe de protection des joints toriques.

En orientant le bouton de la cartouche en position verticale, enfoncez la cartouche du filtre neuf à l'intérieur du couvercle jusqu'à ce qu'elle s'arrête.



Si vous ne parvenez pas à faire tourner le filtre d'un côté à l'autre, c'est qu'il n'est pas entièrement inséré. Poussez-le fermement et pliez-le sur place. Vous entendrez en déclic lorsqu'il se remettra à sa place. À l'aide de la poignée, pliez la cartouche environ 1/4 de tour dans le sens des aiguilles d'une montre. Vous entendrez en déclic lorsqu'elle se remettra à sa place.



### 3. Rinçage du système d'eau après le remplacement d'un filtre.

Faites couler de l'eau dans le distributeur d'eau pendant 3 minutes pour purger le système.

**REMARQUE:** Pour commander un filtre à eau de rechange, appelez le 1-800-4-MY-HOME. Demandez la pièce 9990.

## ⚠ AVERTISSEMENT



### Risque d'explosion

Utilisez des nettoyeurs ininflammables.  
Autrement, vous risquez de provoquer un incendie,  
une explosion, voire la mort.

Le réfrigérateur et le congélateur se décongèlent automatiquement. Pourtant, nettoyez ces deux compartiments au moins une fois par mois afin d'éviter les odeurs. Essuyez les déversements immédiatement.

## CONSEILS GÉNÉRAUX DE NETTOYAGE

- Débranchez le réfrigérateur ou coupez l'alimentation.
- Démontez toutes les pièces démontables, telles que tablettes, bacs, etc. Adressez-vous aux sections pertinentes de Utilisation de votre réfrigérateur pour lire les instructions de démontage.
- Utilisez une éponge propre ou un tissu doux et du détergent neutre avec de l'eau tiède. N'utilisez pas des nettoyeurs abrasifs ou corrosifs.
- Lavez à la main, rincez et asséchez toutes les surfaces au complet.
- Branchez le réfrigérateur ou reconnectez l'alimentation.

## EXTÉRIEUR

Les surfaces extérieures en métal peint encaustiqué aident à prévenir la rouille. Ne cirez pas les pièces en plastique. Cirez les surfaces en métal peint au moins deux fois par an avec de la cire pour des appareils ménagers (ou cire auto-luisante). Appliquez la cire avec un tissu propre et doux. Pour les produits ayant des surfaces extérieures en acier inoxydable, utilisez une éponge propre ou un tissu doux et un détergent neutre avec de l'eau tiède. N'utilisez pas des nettoyeurs abrasifs ou corrosifs. Asséchez complètement avec un tissu doux.

## INTÉRIEUR (permettez au congélateur de se réchauffer un peu pour éviter que le tissu se colle aux parois)

Pour enlever les odeurs plus facilement, vous pouvez laver l'intérieur du réfrigérateur avec un mélange de bicarbonate de sodium et eau tiède. Mélangez 2 cuillères de bicarbonate de sodium dans 1 quart d'eau (26 g bicarbonate de sodium dans 1 litre d'eau.) Assurez-vous que le bicarbonate de sodium est complètement dissous pour ne pas égratigner les surfaces du réfrigérateur.  
**⚠ ATTENTION:** En nettoyant l'intérieur, n'aspergez pas d'eau.

## COMPARTIMENTS CONTRE-PORTE ET JOINTS DES PORTES

N'utilisez pas de cires nettoyantes, de détergents concentrés, de lessives ni de nettoyeurs contenant du pétrole dans les pièces en plastique du réfrigérateur.

## PIÈCES EN PLASTIQUE (couvertres et panneaux)

N'utilisez pas de nettoyeurs de fenêtres, d'abrasifs ni de fluides inflammables. Ceux-ci peuvent égratigner ou endommager les matériaux.

## REPLACEMENT DE L'AMPOULE D'ÉCLAIRAGE

## ⚠ AVERTISSEMENT

### Risque de choc électrique

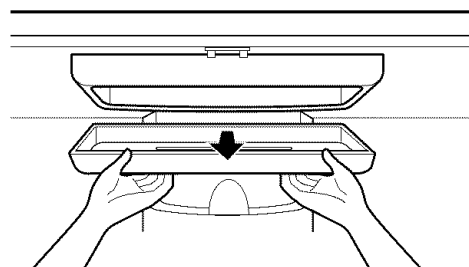
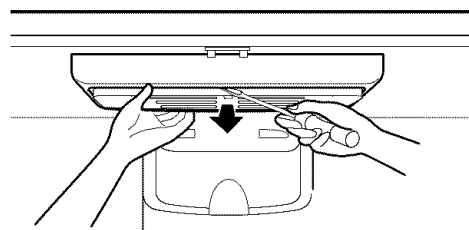
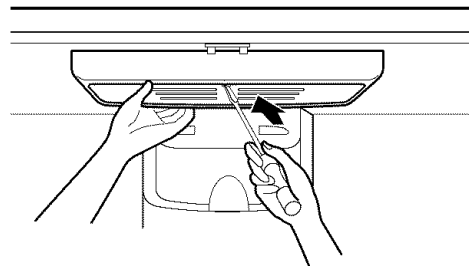
Avant de remplacer une ampoule d'éclairage grillée, débranchez le réfrigérateur ou coupez l'alimentation à partir du disjoncteur ou de la boîte à fusibles.

**REMARQUE:** Le fait de mettre le contrôle en position OFF ne coupe pas l'alimentation du circuit d'éclairage.

**REMARQUE:** Pas toutes les ampoules pour appareils ménagers ne fonctionneront dans votre réfrigérateur. Assurez-vous de remplacer l'ampoule grillée pour une autre de la même dimension, forme et voltage.

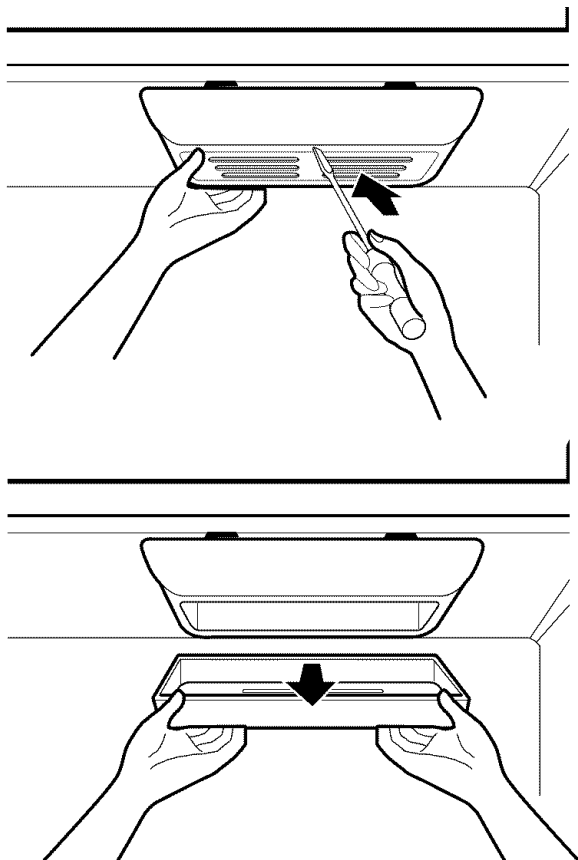
### Pour changer l'ampoule d'éclairage du réfrigérateur:

1. Débranchez le cordon d'alimentation de la prise.
2. Démontez les tablettes du réfrigérateur.
3. Poussez l'écran de protection vers le bas et retirez-le.
4. Tournez l'ampoule dans le sens inverse des aiguilles de l'horloge.
5. Réinstallez tout dans l'ordre inverse de démontage.



## Pour remplacer l'ampoule du congélateur

1. Débranchez le cordon d'alimentation du réfrigérateur de la prise secteur.
2. Poussez l'écran de protection vers le bas et retirez-le.
3. Retirez l'ampoule usagée. Remplacez-la par une ampoule de 60 watts pour appareil électroménager.
4. Insérez les languettes situées à l'arrière du couvercle dans les encoches du plafond du congélateur. Poussez le couvercle vers le haut pour enclencher l'avant à sa place.



**ATTENTION:** N'INTRODUISEZ PAS les doigts à l'intérieur du couvercle. L'ampoule peut être chaude.

## COUPURE D'ÉNERGIE

S'il y a une coupure d'énergie, appelez la compagnie d'énergie et demandez combien de temps durera la coupure.

1. Si l'énergie est coupée pendant 24 heures ou moins, gardez les portes du réfrigérateur bien fermées pour éviter que les aliments se réchauffent et se décongèlent.
2. Si l'énergie est coupée pendant plus de 24 heures:
  - a) Retirez tous les aliments et stockez-les dans une glacière.

## QUAND VOUS PARTEZ EN VACANCES

**Si vous choisissez de laisser le réfrigérateur en fonctionnement pendant votre absence, suivez ces instructions afin de préparer votre réfrigérateur avant de partir.**

1. Consommez tous les produits périssables et congelez le reste.
2. Videz le bac à glace.

**Si vous choisissez d'éteindre le réfrigérateur pendant votre absence, suivez ces instructions.**

1. Retirez tous les aliments du réfrigérateur.
2. Selon votre modèle, mettez le contrôle du thermostat (commande du réfrigérateur) en OFF. Lisez la section **Configuration des commandes**.
3. Nettoyez le réfrigérateur, essuyez-le et asséchez-le au complet.
4. Utilisez du ruban adhésif ou un morceau de bois pour empêcher les portes de se fermer. L'entrée d'air évitera que les odeurs et la moisissure se produisent.

## QUAND VOUS DÉMÉNAGEZ

Quand vous déménagez votre réfrigérateur à une nouvelle maison, suivez ces instructions pour le préparer au déménagement.

1. Retirez tous les aliments du réfrigérateur et stockez tous les aliments surgelés avec de la glace sèche.
2. Selon votre modèle, mettez la commande du thermostat (commande du réfrigérateur) en OFF. Lisez la section **Configurations des commandes**.
3. Débranchez le réfrigérateur.
4. Nettoyez-le, essuyez-le et séchez-le au complet.
5. Démontez toutes les pièces démontables, emballez-les correctement et rangez-les toutes ensemble pour éviter qu'elles bougent et se brisent pendant le déménagement. Adressez-vous aux sections pertinentes de Utilisation de votre réfrigérateur pour lire les instructions de démontage.
6. Selon le modèle, levez le front du réfrigérateur pour qu'il roule plus facilement OU vissez-le aux pattes de nivellement pour éviter d'égratigner le plancher. Lisez la section **Fermeture de la porte**.
7. Fermez les portes et assurez-les avec du ruban adhésif et collez le cordon d'alimentation au réfrigérateur avec du ruban adhésif. Une fois arrivé dans votre nouvelle maison, réinstallez tout suivant les instructions de la section **Installation de votre réfrigérateur**.

# À PROPOS DE LA MACHINE À GLAÇONS AUTOMATIQUE

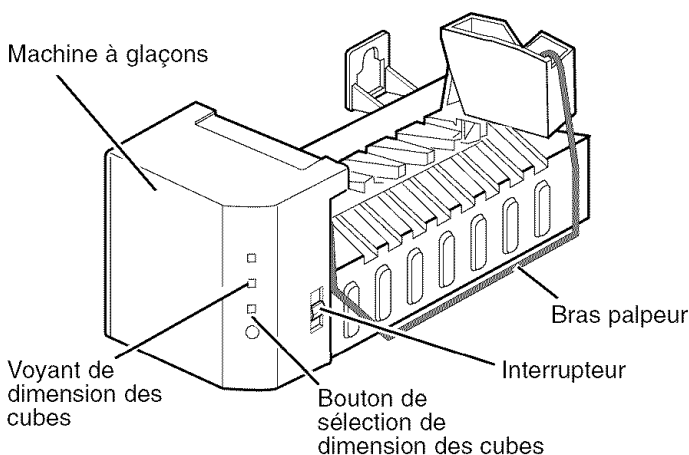
## ⚠ AVERTISSEMENT

### Risque de blessures personnelles

Évitez le contact avec les pièces amovibles du mécanisme d'éjection ou avec l'élément chauffant fabricant les cubes. **NE PLACEZ PAS** les doigts ni les mains dans le mécanisme de fabrication de glace automatique quand le réfrigérateur est branché.

## INSTRUCTIONS DE FONCTIONNEMENT

**Un réfrigérateur qui vient d'être installé peut tarder de 12 à 24 heures à fabriquer de la glace.**



La machine à glaçons est capable de produire huit cubes par cycle—environ 100–130 cubes dans une période de 24 heures, selon la température du compartiment congélateur, la température ambiante, la quantité de fois que la porte soit ouverte et les autres conditions de fonctionnement.

Si le réfrigérateur est utilisé avant de réaliser le raccordement de l'eau à la machine à glaçons, mettez l'interrupteur en **O (off)**.

Si le réfrigérateur a été raccordé à une source d'eau, mettez l'interrupteur en **I (on)**.

La machine à glaçons se remplira d'eau lorsqu'elle est assez froide pour congeler.

Un réfrigérateur qui vient d'être installé peut tarder de 12 à 24 heures à fabriquer des glaçons.

Jetez les premiers lots de glaçons pour vous assurer que le conduit d'eau est propre.

Vérifiez que rien n'obstrue le balayage du bras palpeur.

Lorsque le compartiment atteint le niveau du bras palpeur, la machine à glaçons arrête la production de glace.

Il est normal que plusieurs glaçons soient collés.

Si les glaçons ne sont pas utilisés souvent, ils deviennent troubles, avec un goût de moisi et rétrécis.

**REMARQUE:** Si la dimension du cube est inférieure ou supérieure à ce que vous vous attendiez, vous pouvez la régler avec le bouton de sélection de dimension des cubes.

Chaque fois que vous appuyez sur ce bouton, le voyant supérieur suivant s'allume. Le voyant se trouvant le plus haut correspond à la plus large dimension des cubes.

Étant dans la position la plus haute, si vous appuyez encore sur le bouton, le voyant se trouvant le plus bas s'allumera.

## QUAND VOUS DEVEZ METTRE L'INTERRUPTEUR DE LA MACHINE À GLAÇONS EN O (OFF)

- Lorsque l'approvisionnement d'eau sera coupée pendant plusieurs heures.
- Lorsque le bac à glace sera enlevé pendant plus d'une ou deux minutes.
- Lorsque le réfrigérateur ne sera pas utilisé pendant plusieurs jours.

## BRUITS NORMAUX QUE VOUS POUVEZ ENTENDRE

**REMARQUE:** Si vous gardez l'interrupteur en position **I (on)** avant de raccorder le conduit d'eau, vous pouvez endommager la machine à glaçons.

- Vous entendrez le bruit des cubes tombant dans le bac et de l'eau coulant dans les tuyaux lors du remplissage de la machine à glaçons.

## PRÉPARATION POUR LES VACANCES

## ⚠ AVERTISSEMENT

- Si vous arrêtez la machine à glaçons et que le bac contient des glaçons, ceux-ci peuvent fondre et l'eau peut couler sur le plancher.
- Si vous mettez la machine à glaçons hors tension pendant une longue période, veillez à vider le bac à glaçons.

# RACCORDEMENT DU CONDUIT D'EAU

## AVANT DE COMMENCER

L'installation de ce conduit d'eau n'est pas couverte par la garantie du fabricant du réfrigérateur ou de la machine à glaçons. Suivez ces instructions avec soin pour minimiser le risque de dommages coûteux.

Le martèlement de l'eau (les coups de l'eau à l'intérieur des tuyaux) à l'intérieur de la tuyauterie de la maison peut endommager les pièces du réfrigérateur et provoquer des fuites ou des inondations. Contactez un plombier qualifié pour corriger le martèlement de l'eau avant d'installer le conduit d'approvisionnement d'eau au réfrigérateur.

Pour éviter de brûler ou d'endommager le produit, ne raccordez pas le conduit d'eau au conduit d'eau chaude.

Si vous utilisez votre réfrigérateur avant de raccorder le conduit d'eau, assurez-vous que l'interrupteur est en position **O (off)**.

N'installez pas la tuyauterie de la machine à glaçons dans des secteurs où les températures tombent au-dessous du niveau de congélation.

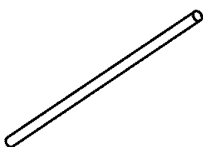
Si vous utilisez un dispositif électrique (tel qu'une perceuse) lors de l'installation, assurez-vous que le dispositif aura une double isolation ou sera mis à la terre de façon à réduire le risque de choc électrique ou sera alimenté à piles.

Toutes les installations doivent être conformes aux contraintes des codes de plomberie locaux.

**REMARQUE:** Utilisez des protecteurs pour les yeux.

## CE DONT VOUS AVEZ BESOIN

- **Tuyau de cuivre**, de 1/4 de diamètre extérieur pour raccorder le réfrigérateur à la source d'eau. Assurez-vous que les deux extrémités du tuyau ont une coupe carrée.



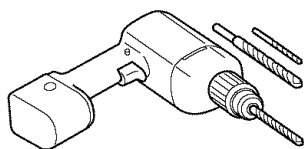
Pour déterminer la longueur du tuyau à utiliser : mesurez la distance entre la vanne à eau à la partie arrière du réfrigérateur et le conduit d'approvisionnement d'eau et ajoutez-le 8 pieds (2,4 m). Assurez-vous qu'il y a une section de tuyau supplémentaire (environ 8 pieds [2,4 m] bouclée dans 3 coudes d'un diamètre d'environ 10. [25 cm]) pour permettre la séparation du réfrigérateur du mur après l'installation.

- **Une source d'eau froide.** La pression d'eau doit être entre 20 et 120 p.s.i. pour les modèles sans filtre à eau et entre 40 et 120 p.s.i. pour les modèles avec filtre à eau.

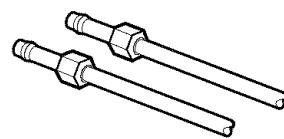
- **Perceuse.**

- **1/2. ou clé de serrage réglable.**

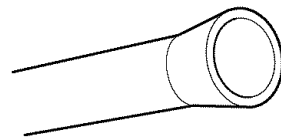
- **Tournevis courant et cruciforme.**



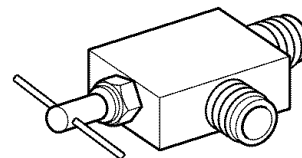
- **Deux écrous de serrage d'un diamètre extérieur de 1/4. et 2 viroles (manches) pour raccorder le tuyau de cuivre à la vanne de sectionnement et à la vanne à eau du réfrigérateur.**



- Si votre conduit d'eau en cuivre a les extrémités évasées, vous aurez besoin d'un **adaptateur** (disponible dans les magasins d'articles de plomberie) pour raccorder le conduit d'eau au réfrigérateur OU vous pouvez couper le bout évasé avec un coupeur de tuyaux et utiliser un dispositif de serrage.



- La vanne de sectionnement pour raccorder le conduit d'eau froide. La vanne de sectionnement doit avoir une entrée d'eau avec un diamètre intérieur minimal de 5/32. au point de raccordement au CONDUIT D'EAU FROIDE. Les vannes de sectionnement du type étrier sont incluses dans plusieurs kits d'approvisionnement d'eau. Avant d'en acheter, assurez-vous qu'une vanne du type étrier est conforme aux codes de plomberie locaux.



## INSTRUCTIONS D'INSTALLATION

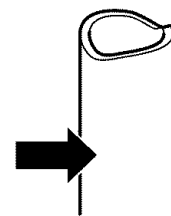
Installez la vanne de sectionnement dans le conduit d'eau potable plus fréquemment utilisé.

### 1. COUPEZ L'APPROVISIONNEMENT D'EAU PRINCIPAL

Fermez la vanne la plus proche pour soulager la pression du conduit.

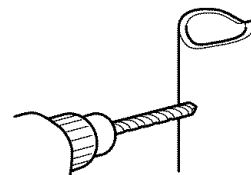
### 2. CHOISISSEZ L'EMPLACEMENT DE LA VANNE

Choisissez un emplacement facilement accessible pour la vanne. Il est mieux de la placer dans un tuyau d'eau vertical. S'il est nécessaire de la placer dans un tuyau d'eau horizontal, installez-la dans la partie supérieure ou sur le côté, plutôt que dans la partie inférieure, pour éviter les sédiments du tuyau d'eau.



### 3. PERCEZ UN TROU POUR LA VANNE

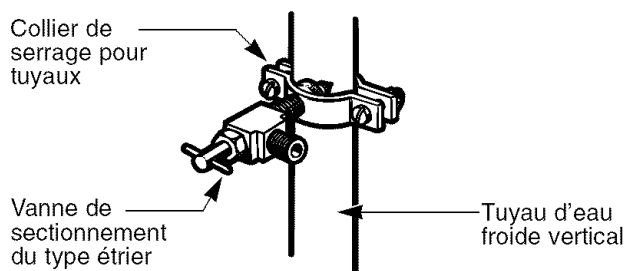
Percez un trou de 1/4 dans le conduit d'eau (même si vous utilisez une vanne auto-perçante) avec une mèche aiguisée. Enlevez tous les rebords résultant du perçage du tuyau. Veuillez éviter le contact de l'eau avec la perceuse. Si vous ne percez pas un trou de 1/4., Il est possible que la production de glace soit réduite ou que les glaçons soient plus petits.



## INSTRUCTIONS D'INSTALLATION (SUITE)

### 4. SERREZ LA VANNE DE SECTIONNEMENT

Serrez la vanne de sectionnement au tuyau d'eau



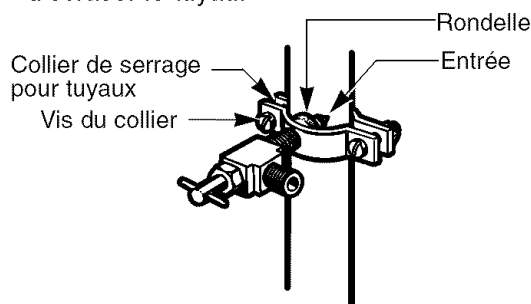
froide avec un collier de serrage pour tuyaux.

**REMARQUE:** Les Codes de plomberie de l'état de Massachusetts 248CMR doivent être respectés. Les vannes du type étrier sont illégales et leur utilisation est interdite dans le Massachusetts. Consultez avec un plombier agréé.

### 5. SERREZ LE COLLIER DE SERRAGE POUR TUYAUX

Serrez les vis du collier de serrage jusqu'à ce que la rondelle d'étanchéité commence à se dilater.

**REMARQUE:** Ne serrez pas à l'excès ou vous risquez d'écraser le tuyau.



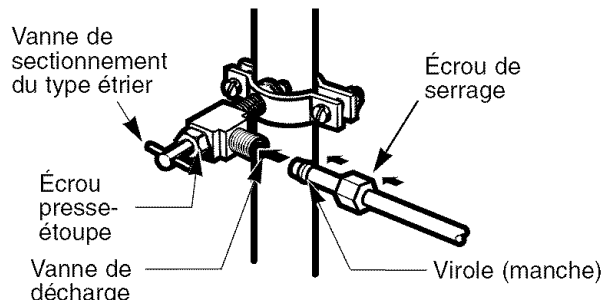
### 6. ACHEMINEZ LA TUYAUTERIE

Faites passer la canalisation en cuivre entre la canalisation d'eau froide et le réfrigérateur. Acheminez la tuyauterie à travers le trou percé dans le mur ou le plancher (derrière le réfrigérateur ou près de sa base) aussi proche que possible.

**REMARQUE:** Assurez-vous qu'il y a une section de tuyau supplémentaire (environ 8 pieds [2,4 m] bouclée dans 3 coudes d'un diamètre d'environ 10. [25 cm]) pour permettre la séparation du réfrigérateur du mur après l'installation.

### 7. RACCORDEZ LA TUYAUTERIE À LA VANNE

Placez l'écrou de serrage et la virole (manche) pour le tuyau de cuivre dans le bout du tuyau et raccordez-le à la vanne de sectionnement. Assurez-vous que la tuyauterie est complètement introduite dans la vanne. Serrez l'écrou de fortement.

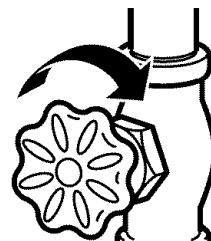


**REMARQUE:** Les Codes de plomberie de l'état de Massachusetts 248CMR doivent être respectés. Les vannes du type étrier sont illégales et leur utilisation est interdite dans le Massachusetts. Consultez avec un plombier agréé.

### 8. LAVAGE DE LA TUYAUTERIE

Ouvrez l'arrivée d'eau principale et faites circuler de l'eau à travers la canalisation jusqu'à ce que l'eau soit claire.

Fermez le passage d'eau avec la vanne après avoir laissé s'écouler environ un quart d'eau dans la tuyauterie.



## RACCORDEMENT DU CONDUIT D'EAU

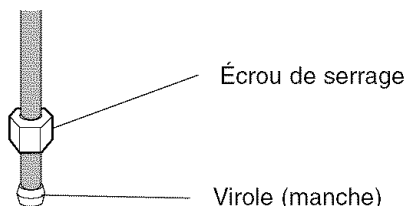
### 9. RACCORDEMENT DU TUYAU AU RÉFRIGÉRATEUR

Retrait et remplacement du couvercle de la vanne

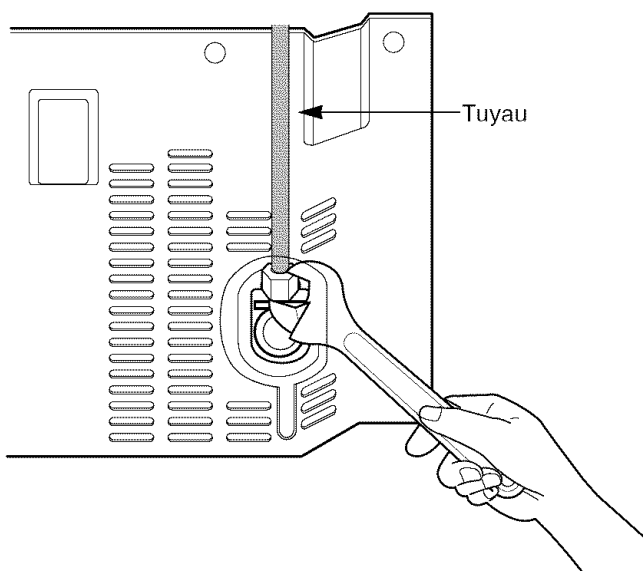
#### REMARQUE:

- Avant de raccorder la conduite d'eau au réfrigérateur, vérifiez que le cordon d'alimentation du réfrigérateur n'est pas banché sur la prise secteur.

1. Placez un écrou de serrage et un embout (manchon) à l'extrémité du tuyau.



2. Insérez le tuyau à l'intérieur de la vanne puis serrez à l'aide de la clé comme illustré ci-dessous.

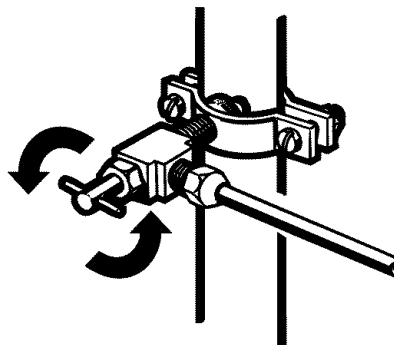


**▲ ATTENTION:** Vérifiez l'absence d'écoulement d'eau au niveau des raccords des canalisations.

### 10. OUVREZ LA VANNE DE SECTIONNEMENT DE L'EAU

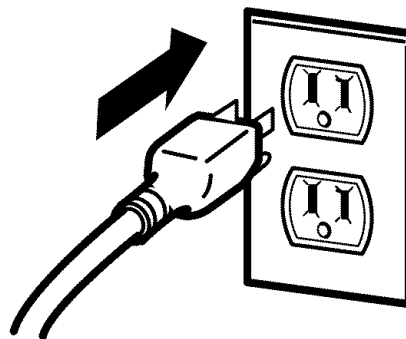
Serrez tous les raccords présentant des fuites.

Remplacez le couvercle d'accès au compartiment du compresseur.



### 11. BRANCHEZ LE RÉFRIGÉRATEUR

Placez le serpentin de la tuyauterie pour qu'il ne vibre pas contre la partie arrière du réfrigérateur ou contre le mur. Rapprochez le réfrigérateur au mur.



### 12. DÉMARREZ LA MACHINE À GLAÇONS

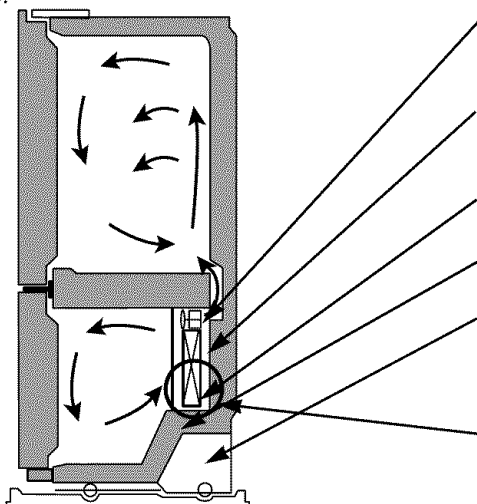
Réglez l'interrupteur de la machine à glaçons dans la position ON.

La machine à glaçons ne commencera pas à fonctionner jusqu'à atteindre sa température de fonctionnement de 15°F (-9°C).



## BRUITS NORMAUX QUE VOUS POUVEZ ENTENDRE

Votre nouveau réfrigérateur peut faire des bruits que votre ancien réfrigérateur ne faisait pas. Puisque ces bruits seront nouveaux pour vous, vous pouvez vous en préoccuper. La plupart de ces nouveaux bruits sont normaux. Les surfaces dures, comme le plancher, les murs et les armoires peuvent augmenter la résonance des bruits. Le guide suivant décrit les types de bruits et quelle peut être leur source.



- La minuterie de décongélation émet un déclic lorsque le cycle de décongélation automatique commence et se termine. La commande du thermostat (ou commande du réfrigérateur, selon le modèle) produira aussi un déclic lorsque son cycle démarre et s'arrête.
- Des crépitements peuvent provenir du flux du réfrigérant, du conduit d'eau ou des produits placés sur le réfrigérateur.
- Votre réfrigérateur est dessiné pour fonctionner plus efficacement afin de conserver vos aliments à la température désirée. Le haut rendement du compresseur peut provoquer que votre nouveau réfrigérateur fonctionne plus longtemps que l'ancien et il est possible que vous entendiez un son modulé ou aigu.
- Il est possible que vous entendiez le moteur du ventilateur de l'évaporateur faisant circuler l'air à travers les compartiments réfrigérateur et congélateur.
- À la fin de chaque cycle, il est possible que vous entendiez un bruit de glouglou produit par la circulation du réfrigérant dans votre réfrigérateur.
- La contraction et l'expansion des parois intérieures peuvent provoquer des bruits d'éclatement.
- L'égouttement d'eau dans le radiateur de décongélation pendant le cycle de décongélation peut provoquer un bruit de grésillement.
- Il est possible que vous entendiez l'air soufflé par le ventilateur du condensateur, traversant le condensateur.
- Il est possible que vous entendiez l'écoulement d'eau vers le bac de drainage pendant le cycle de décongélation.
- Il se peut que lors de l'ouverture des portes, vous entendiez le bruit du ventilateur de la machine à glaçons dans le congélateur ou du côté gauche du réfrigérateur.

## LE RÉFRIGÉRATEUR NE FONCTIONNE PAS

Vérifiez si...	Alors...
Le cordon d'alimentation est débranché.	Branchez correctement le cordon à une prise ayant le voltage approprié.
Un fusible a sauté ou le disjoncteur a coupé le courant.	Remplacez le fusible ou réinitialiser le disjoncteur.
La commande du réfrigérateur est réglée en position OFF.	Lisez la section <b>Configurations des commandes</b> à la page 88.
Le réfrigérateur est en cycle de décongélation.	Attendez environ 30 minutes jusqu'à la fin du cycle de décongélation.

## VIBRATIONS OU CRÉPITEMENTS

Vérifiez si...	Alors...
Le réfrigérateur est solidement appuyé sur le plancher.	Le plancher n'est pas assez solide ou égal ou les pattes de nivellement ont besoin d'un nouveau réglage. Lisez la section <b>Installation</b> à la page 87.

## L'ÉCLAIRAGE NE FONCTIONNE PAS

Vérifiez si...	Alors...
Le cordon d'alimentation est débranché.	Branchez correctement le cordon à une prise ayant le voltage approprié.
L'ampoule d'éclairage n'est pas bien serrée.	Mettez la commande du réfrigérateur en position OFF et débranchez le réfrigérateur. Remplacez l'ampoule. Branchez le réfrigérateur et réinitialisez la commande du réfrigérateur.
L'ampoule d'éclairage est grillée.	Remplacez l'ampoule grillée par une autre du même voltage, dimension et forme disponible dans le magasin spécialisé de votre région. (Lisez la section <b>Changement de l'ampoule d'éclairage</b> aux pages 99-100.) Mettez la commande de température en position OFF et débranchez le réfrigérateur avant de remplacer l'ampoule.

## GUIDE DE DÉPANNAGE

### LE MOTEUR DU COMPRESSEUR SEMBLE NE PAS FONCTIONNER ASSEZ LONGTEMPS

Vérifiez si...	Alors...
Le réfrigérateur remplacé était un modèle plus ancien.	Les réfrigérateurs modernes, ayant un espace de stockage plus grand, demandent une période de fonctionnement plus longue.
La température ambiante est plus haute que la température normale.	Le moteur fonctionnera plus longtemps dans des conditions plus chaudes. Dans des températures ambiantes normales, le moteur devrait fonctionner environ 40% à 80% du temps. Dans des conditions plus chaudes, il devrait peut-être fonctionner encore plus longtemps.
La porte a été souvent ouverte ou une grande quantité d'aliments a été ajoutée.	Le fait d'introduire des aliments et d'ouvrir la porte réchauffe le réfrigérateur. Il est normal que le réfrigérateur fonctionne plus longtemps pour pouvoir réfrigérer davantage. Le fait d'introduire une grande quantité d'aliments réchauffe le réfrigérateur. Lisez la section <b>Guide pour le stockage d'aliments</b> à la page 91. Pour faire des économies d'énergie, essayez de sortir du réfrigérateur tout dont vous avez besoin en une seule fois, gardez les aliments de façon ordonnée pour qu'il soit plus facile de les trouver et fermez la porte aussitôt possible.
Le réfrigérateur vient d'être branché et la commande du réfrigérateur est réglée correctement.	Le réfrigérateur tardera 24 heures à réfrigérer complètement.
La commande du réfrigérateur n'est pas réglée correctement selon les conditions environnantes.	Lisez la section <b>Réglage de la configuration des commandes</b> à la page 91.
Les portes ne sont pas bien fermées.	Fermez les portes correctement. Si vous ne pouvez pas les fermer complètement, lisez <b>Les portes ne ferment pas</b> à la fin de ce manuel.
Les serpentins de condensation sont sales.	Cela évite le transfert d'air et oblige le moteur à fonctionner davantage. Nettoyez les serpentins de condensation. Lisez la section <b>Entretien et nettoyage</b> aux pages 99-100.

### LES PORTES NE FERMENT PAS COMPLÈTEMENT

Vérifiez si...	Alors...
Le réfrigérateur n'est pas nivelé.	Lisez <b>Nivellement et alignement de la porte</b> à la page 87.
Il y a des aliments qui empêchent de bien fermer la porte.	Réordonnez les aliments et les tablettes.
Le bac à glace, le couvercle du bac à légumes, les tiroirs, les tablettes, les balconnets de la porte ou les paniers sont mal placés.	Fermez les bacs correctement et placez le couvercle du bac à légumes, les tiroirs, les tablettes et les paniers correctement. Lisez la section <b>Utilisation de votre Réfrigérateur</b> aux pages 88-98.
Les joints sont collés.	Nettoyez les joints et leurs surfaces de contact. Appliquez une fine couche de paraffine dans les joints après le nettoyage.
Le réfrigérateur se balance ou semble instable.	Mettez le réfrigérateur à niveau. Lisez la section <b>Nivellement et alignement de la porte</b> à la page 87.
Les portes ont été enlevées pendant l'installation du produit et mal réinstallées.	Retirez et remplacez les portes suivant les sections de <b>Poignées et portes Démontage et remplacement du réfrigérateur</b> aux pages 81-84 ou contactez un technicien qualifié.

### IL Y A DES CRISTAUX DE GLACE OU DU GIVRE DANS LES ALIMENTS SURGELÉS

Vérifiez si...	Alors...
La porte n'est pas bien fermée.	Lisez <b>Les portes ne ferment pas complètement en haut</b> .
La porte est ouverte souvent.	Si la porte est ouverte, de l'air humide et chaud entre dans le congélateur, ce qui produit la décongélation.

## LA GLACE A UN MAUVAIS GOÛT OU ODEUR

Vérifiez si...	Alors...
La machine à glaçons vient d'être installée.	N'utilisez pas les premiers lots de glaçons pour éviter les glaçons troubles et avec un mauvais goût.
La glace a été longtemps stockée.	Jetez les vieux glaçons et remplissez le compartiment avec de l'eau fraîche.
Les aliments n'ont pas été bien enveloppés dans leurs compartiments.	Emballez les aliments de nouveau pour éviter que leur odeur se transmette aux glaçons.
L'eau contient des minéraux, tels que le sulfure.	Il peut être nécessaire un filtre à eau (ou de le remplacer) afin d'éliminer les mauvaises odeurs et goûts.
L'intérieur du réfrigérateur a besoin de nettoyage.	Lisez la section <b>Entretien et nettoyage</b> aux pages 99-100.
Le bac à glace a besoin de nettoyage.	Videz et nettoyez le bac. N'utilisez pas les vieux glaçons.

## IL Y A DE L'EAU DANS LE BAC DE DRAINAGE DE DÉCONGÉLATION

Vérifiez si...	Alors...
Le réfrigérateur est en décongélation.	L'eau sera évaporée. Il est normal que de l'eau tombe dans le bac de décongélation.
Il est plus humide que d'habitude.	Il est normal que l'eau du bac de décongélation tarde plus longtemps à être évaporée. Cela est normal lorsqu'il fait chaud ou humide.

## IL SEMBLE QUE LE RÉFRIGÉRATEUR FAIT BEAUCOUP DE BRUIT

Vérifiez si...	Alors...
Les bruits sont normaux dans votre réfrigérateur.	Lisez la section <b>Bruits normaux que vous pouvez entendre</b> à la page 105.

## LA MACHINE À GLAÇONS NE PRODUIT PAS DE GLACE OU ELLE PREND TROP DE TEMPS À LA PRODUIRE

Vérifiez si...	Alors...
La température du congélateur est assez froide pour produire de la glace.	▶ Attendez 24 heures après la mise en marche pour la production de glace. Lisez la section <b>Configurations des commandes</b> à la page 88.
La porte est restée ouverte.	Vérifiez s'il y a quelque chose qui garde la porte ouverte.

## LES CUBES PRODUITS PAR LA MACHINE À GLAÇONS SONT TRÈS PETITS

Vérifiez si...	Alors...
La dimension plus petite des cubes est sélectionnée.	Sélectionnez une dimension plus grande des cubes avec le sélecteur de dimension des cubes.
La vanne de sectionnement d'eau qui raccorde le réfrigérateur au conduit d'eau est bouchonnée.	Contactez un plombier pour nettoyer la vanne.

## IL EST TRÈS DIFFICILE D'OUVRIR LES PORTES

Vérifiez si...	Alors...
Les joints sont sales ou collants.	Nettoyez les joints et leurs surfaces de contact. Appliquez une fine couche de cire dans les joints après le nettoyage.
Vous voulez rouvrir la porte peu de temps après l'avoir ouverte.	Lorsque vous ouvrez la porte, de l'air chaud entre dans le réfrigérateur. Le refroidissement brusque de l'air chaud crée un vide. S'il est difficile d'ouvrir la porte, attendez 5 minutes pour permettre que la pression d'air s'équilibre et essayez alors de l'ouvrir plus facilement.

## LA TEMPÉRATURE EST TRÈS CHAUDE OU IL Y A DE L'HUMIDITÉ INTÉRIEURE

Vérifiez si...	Alors...
Les conduits de ventilation d'air sont bloqués. L'air circule du congélateur à la section des aliments frais et revient à travers les conduits de ventilation de la cloison divisant les deux sections.	Sentez le flux d'air des conduits de ventilation avec votre main et déplacez tous les aliments qui bloquent les conduits de ventilation et réduisent le flux d'air.
Les portes sont ouvertes souvent.	Si la porte est ouverte, de l'air chaud entre dans le réfrigérateur. Plus de temps la porte est ouverte, plus d'humidité y entrera et plus d'air chaud le réfrigérateur devra refroidir. Pour garder le réfrigérateur froid, essayez de sortir du réfrigérateur tout ce dont vous avez besoin en une seule fois, gardez les aliments de façon ordonnée pour qu'il soit plus facile de les trouver et fermez la porte aussitôt possible.
La commande n'est pas réglée correctement selon les conditions environnantes.	Lisez la section <b>Configurations des commandes</b> à la page 88. Attendez 24 heures pour que les températures deviennent stables. Si la température est très froide ou très chaude, composez un seul numéro par fois.
Une grande quantité d'aliments vient d'être introduite dans le réfrigérateur ou dans le congélateur.	Quand vous introduisez des aliments chauds dans le réfrigérateur, il est possible que le réfrigérateur tarde quelques heures pour reprendre la température normale.
Les aliments ne sont pas bien emballés.	Emballez les aliments correctement et essuyez bien les compartiments avant de les stocker dans le réfrigérateur pour éviter l'accumulation d'humidité. S'il est nécessaire, remballer les aliments suivant les instructions de la section <b>Guide pour le stockage d'aliments</b> à la page 91.
Les portes ne sont pas bien fermées.	Lisez <b>Les portes ne ferment pas complètement</b> à la page 106.
Le temps est humide.	Dans un climat humide, l'air transporte de l'humidité vers le réfrigérateur lorsque les portes sont ouvertes.
Un cycle de décongélation automatique vient de se compléter.	La formation de gouttelettes d'eau sur la paroi arrière est normale après la décongélation du réfrigérateur.















# Get it fixed, at your home or ours!

## Your Home

For repair – **in your home** – of **all** major brand appliances, lawn and garden equipment, or heating and cooling systems, **no matter who made it, no matter who sold it!**

For the replacement parts, accessories and owner's manuals that you need to do-it-yourself.

For Sears professional installation of home appliances and items like garage door openers and water heaters.

**1-800-4-MY-HOME® (1-800-469-4663)**

Call anytime, day or night (U.S.A. and Canada)

[www.sears.com](http://www.sears.com)    [www.sears.ca](http://www.sears.ca)

---

## Our Home

For repair of carry-in items like vacuums, lawn equipment, and electronics, call or go on-line for the location of your nearest

**Sears Parts & Repair Center.**

**1-800-488-1222**

Call anytime, day or night (U.S.A. only)

[www.sears.com](http://www.sears.com)

---

To purchase a protection agreement (U.S.A.)  
or maintenance agreement (Canada) on a product serviced by Sears:

**1-800-827-6655** (U.S.A.)

**1-800-361-6665** (Canada)

---

Para pedir servicio de reparación  
a domicilio, y para ordenar piezas:

**1-888-SU-HOGAR<sup>SM</sup>**

(1-888-784-6427)

Au Canada pour service en français:

**1-800-LE-FOYER<sup>MC</sup>**

(1-800-533-6937)

[www.sears.ca](http://www.sears.ca)

The Sears logo is displayed in a large, bold, black serif font. The word "Sears" is written in a classic, slightly stylized font. Below the word, there is a thin, curved line that underlines the letters.

© Registered Trademark / <sup>TM</sup> Trademark / <sup>SM</sup> Service Mark of Sears, Roebuck and Co.

© Marca Registrada / <sup>TM</sup> Marca de Fábrica / <sup>SM</sup> Marca de Servicio de Sears, Roebuck and Co.

<sup>MC</sup> Marque de commerce / <sup>MD</sup> Marque déposée de Sears, Roebuck and Co.

© Sears, Roebuck and Co.

## Free Manuals Download Website

<http://myh66.com>

<http://usermanuals.us>

<http://www.somanuals.com>

<http://www.4manuals.cc>

<http://www.manual-lib.com>

<http://www.404manual.com>

<http://www.luxmanual.com>

<http://aubethermostatmanual.com>

Golf course search by state

<http://golfingnear.com>

Email search by domain

<http://emailbydomain.com>

Auto manuals search

<http://auto.somanuals.com>

TV manuals search

<http://tv.somanuals.com>