



Compact Refrigerator

Models 93365 & 93361

3.6 cu. ft. Capacity

Read This Manual!

It will tell you how to operate and care for your refrigerator. It also offers tips on how to get the best and lowest cost performance.

If you prefer installing your own parts, use the parts list to find the part number. Do not use the illustration number.

In the space below record the model and serial number of your refrigerator. Each is printed on the model number plate located in the upper corner of the refrigerator back. Use these numbers when calling for service.

Model No. _____ Serial No. _____

Full One Year Warranty on Refrigerator

For one year from the date of purchase, when this refrigerator is operated and maintained in accordance with the provided owner's manual, Sears will repair it, free of charge, if found defective in material or workmanship.

Full Five Year Warranty on Sealed Refrigeration System

For five year from the date of purchase, when this refrigerator is operated and maintained in accordance with the provided owner's manual, Sears will repair the sealed system (consisting of refrigerant, connecting tubing and compressor motor), free of charge, if found defective in material or workmanship.

The above warranty coverage applies only to refrigerators which are used for the storage of food for private household purposes.

Warranty service is available by contacting the nearest Sears Service Center in the United States.

This warranty applies only while this product is used in the United States. This warranty gives you specific rights and you may also have other rights which vary from state to state.

Sears, Roebuck and Co., Dept. 817WA,
Hoffman Estates, IL 60179

(SR3606SB) & (SR3606SW)

Installation

Remove all packing material and tape from unit. Inspect unit thoroughly. Notify Sears immediately if unit has any damaged or missing parts.

Install unit on a strong level floor or counter. Avoid any direct sunlight, heat source or moisture. Level the refrigerator using the adjustable leveling floor leg to ensure a proper door seal.

Let air circulate freely around the refrigerator. Keep the back of the unit at least 4 inches away from the wall. Provide at least 1 inch of space between the top of the unit and any surface above it.



CAUTION: If you turn off the cold control, allow at least three minutes before restarting to avoid blowing fuses or tripping your circuit breaker.

Electrical Requirements

120 Volts, 60 Hz (60 cycles AC), 15 amps.

Electrical Grounding

Your refrigerator comes with a three-prong plug and must be inserted into a three-prong, grounded wall outlet. Do not use an extension cord.



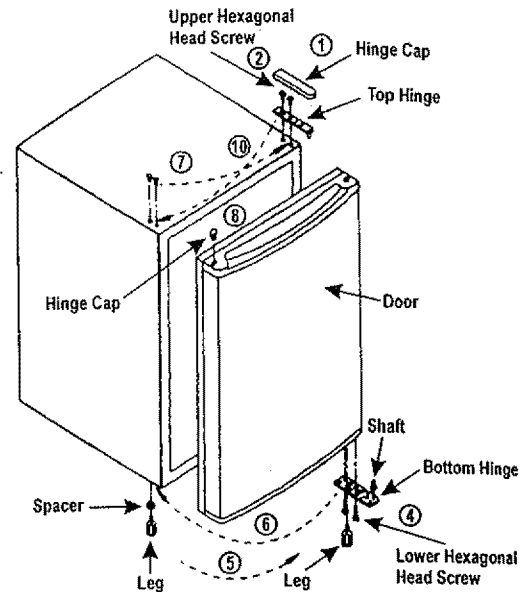
WARNING: Unless the above grounding method is followed, you are not protected against severe or lethal shock in the event of a short circuit in refrigerator wiring or electrical components.

Things to Remember

1. When resetting your refrigerator to a new temperature, allow 24 hours for it to reach the new setting.
2. The motor will start and stop often. It must do so in order to maintain the selected temperature.
3. Keep your refrigerator level so that the door seals properly
4. Unplug the refrigerator before doing anything with the electrical system.
5. The low temperature section is not intended for long-term storage of frozen foods.

Part No. 8336460155700C
(12/20/02)

DISASSEMBLY DIAGRAM FOR REVERSING THE DOOR SWING

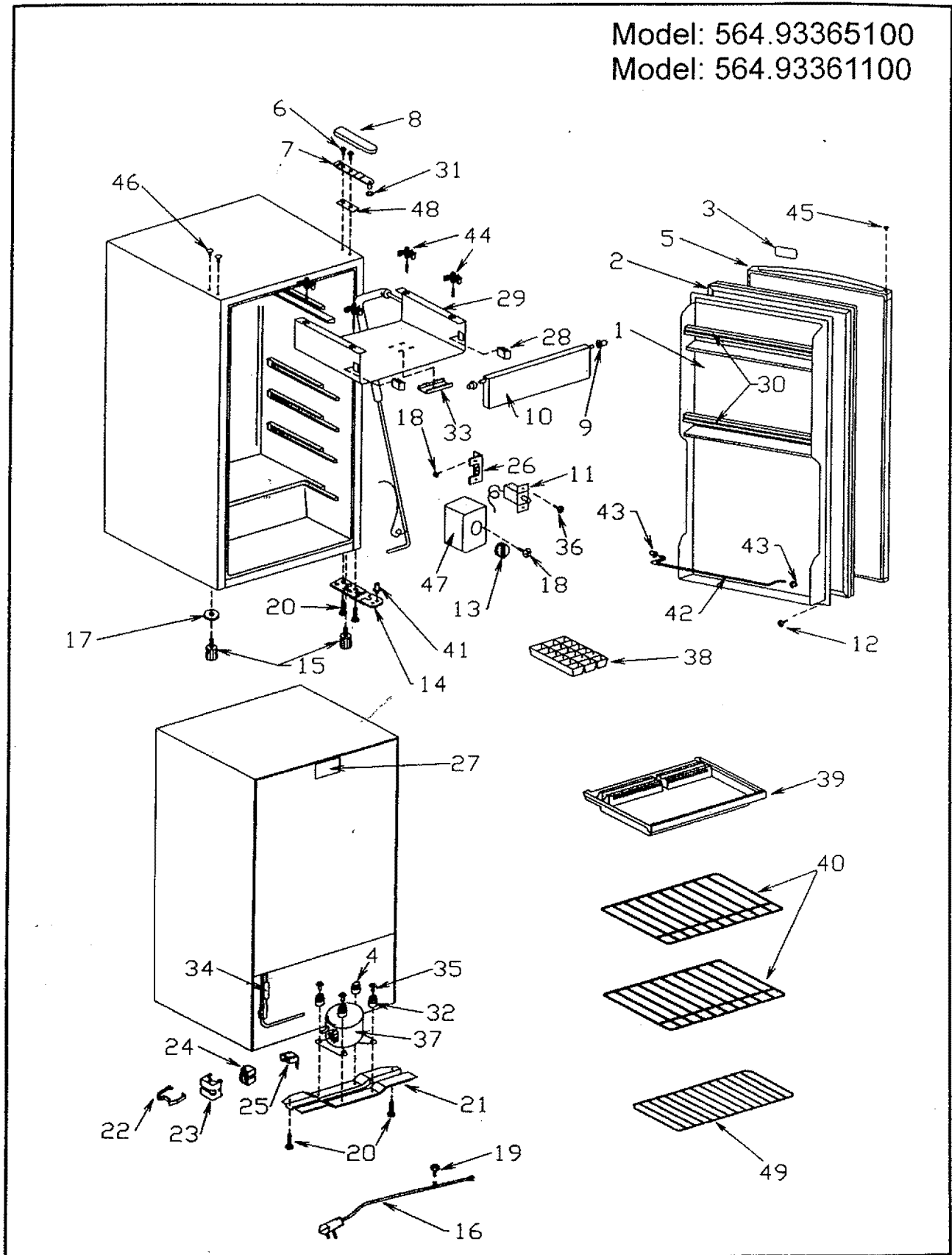


REVERSING THE DOOR SWING

Refer to the disassembly diagram and change the door hinges in the following procedure. The numbers in the diagram indicate the procedure order in the instructions.

1. Remove the hinge cap by twisting it off.
2. Remove the upper hexagonal head screws. The refrigerator door can now be removed.
3. Tilt the refrigerator back or lay it on its back for steps 4, 5 and 6. Use a pad or blanket to protect the floor and to avoid scratching the painted finish.
4. Remove the leveling legs by turning them counterclockwise. Remove the lower hexagonal head screws, two on the hinge side and one near the front corner of the other side.
5. Attach the left side leg and leg spacer to the other side hole which was positioned symmetrically.
6. Attach the bottom hinge symmetrically to the other side of the cabinet.
7. Remove the upper hinge plastic pins and insert them in the holes from which the screws were removed in Procedure 2.
8. Take off the hinge collar cap using a screwdriver and insert them in the hinge collar on the opposite side.
9. Attach the shaft to the refrigerator door. Attach the door to the bottom hinge and secure them with the screws from Procedure 4.
10. Attach the upper hinge to the refrigerator door. Do not tighten the screws completely.
11. The direction in which the door opens has now been changed; however, the following points should be checked:
 - a. Make sure the door is on straight.
 - b. Make sure that there is no space between the door gasket and the refrigerator unit itself when the door is closed.
 - c. Make sure that gasket on the hinge side is not caught between the door and the unit when the door is opened or closed. (If the door is forced closed when the gasket is caught, the gasket may be damaged.)
12. Stand the unit back in the upright position.

Model: 564.93365100
Model: 564.93361100



Parts List

Model: 564.93365100

Model: 564.93361100

CAUTION. Use Kenmore parts number on all orders, not the illustration number.

Illus. No.	Part No.	Description	Illus. No.	Part No.	Description
1	302749	Door Liner	25	301976	Overload Relay
2		Door Gasket	26	302710	Plate Mtg. Thermo
	301601	White	27	302863	Wiring Diagram W/O Light
	302715	Black	28	302375	Evap. Door Bumper
3		Mascot, Kenmore	29	302324	Evaporator Assy.
	302340	White	30		Door Shelf Trim
	302362	Black		302876	White/Silver Stripe
4	302289	Grommet Comp. Mtg.		302347	White/Gray Stripe
5		Foamed Door	31	302378	Nylon Washer
	302875	White	32	302427	Grommet, Comp. Mtg.
	302714	Black	33	301923	Clamp, Thermo Bulb
6	302009	Bolt #10119	34	302304	Dryer, 8 Gram
7	302342	Hinge, Top	35	300413	Bolt #050
8		Cover Hinge Top	36	301991	MAchine Screw
	302343	White	37	302754	Compressor, CQN30L2E
	302361	Black	38	302486	Ice Cube Tray
9	302309	Grommet, Evap. Door	39	302879	Drip Tray
10	302344	Evaporator Door	40	302751	Shelf, Upper
11	302522	Thermostat ATB-3U1064	41	302348	Shaft, Hinge Bottom
12	300308	Tapping Screw, #10023	42	302144	Panel Bar
13	300141	Knob Thermo	43	302880	Door Shelf Bushing, PVC
14	302345	Hinge Bottom	44	302187	Evap. Bracket W/Pin
15	302291	Leg	45		Grommet Cap
16	302525	Power Cord, SPT-3		302388	White
17	302509	Steel Washer		302550	Black
18	300308	Tapping Screw, #10023	46		Plug Button
19	301991	Machine Screw, #10026		302372	White
20	302009	Bolt #10119		302359	Black
21	302365	Plate Cabinet Base	47	302534	Panel, Thermo
22	302696	Clip, Relay Cover	48	302711	Shim. Hinge Top
23	302573	Cover, Relay	49	302835	Shelf, Lower
24	302306	PTC Thermistor			

PARTS NOT ILLUSTRATED

302877	Owner's Manual
302283	Technical Sheet
302878	FTC Label
302731	Nylon Cable Tie
302814	Nylon Clamp #10157

Use and Care Information

Tips on everyday care and use

1. To control the temperature:

First, set the Cold Control on "3". Wait 24 hours for the entire cabinet to cool. Then adjust the control if necessary. Setting the Cold Control to MIN, is the warmest setting; MAX is the coldest. The MAX setting may reduce the temperature to below freezing, but it will not cool the refrigerator faster.

The fresh food section should be as cold as possible without freezing vegetables or milk. Adjust as necessary.

2. Defrost:

Defrost when 1/4 inch of frost forms. Set the temperature control dial to OFF for defrosting. Remove food. Do not touch the freezing plate with your bare hands. Do not use electric defrost devices or hair dryers to melt the frost. They may damage the plastic parts.

When defrosting is completed, wipe the freezing plate dry and reset the control dial.

Return food to refrigerator.

3. For all cleaning:

Mix 2 tablespoons baking soda with 1 quart warm water or use a mild soap. Do not use strong cleaners, scouring powder or pads. For persistent odors, contact Sears Service Center for odor removal products. Do not put the drip tray in the dishwasher. Vacuum the condenser tubing on the back of the refrigerator when dusty.

6. **Reduce** the number and length of time you open the door. Your cooling system won't have to run as often.
7. **Keep your refrigerator level**, so that the door seals tightly. When the door is closed, the door gaskets should touch the refrigerator all the way around. If not, make your refrigerator level by use of the adjustable leg located under the unit.
8. **Keep your refrigerator away** from stoves or other heat sources. A cool and dry place allows your refrigerator to operate more efficiently.

Before Calling for Service

- Check the plug and fuse.
- Test the outlet with a lamp.
- Be sure the control is not set to OFF.
- Read the manual, especially the items under Use and Care Information. You may find the answer to your questions.
- If you do not find the answer to your questions in this manual, find the unit model number (on the upper back of the refrigerator) and contact your nearest Sears Service Center.



DANGER: ELECTRICAL SHOCK HAZARD
Disconnect power before servicing.

Energy Saving tips

1. **Close the door as soon as you can** after opening it. Make sure that the door is fully shut after each use so that cold air doesn't escape from the refrigerator cavity.
2. **Keep the condenser coils clean.** The motor must work harder when the coils are dusty. Clean the coils at least once every 3 months. They are located on the back of the unit.
3. **Adjust the Cold Control.** Try a warmer setting. Your refrigerator may be colder than necessary. Use the condition of milk to check refrigerator temperature. As long as milk keeps without spoiling your refrigerator is cold enough.
4. **Do Not** place hot foods in the refrigerator.
5. **Do Not** allow more than 1/4 inch of frost to build up in the freezer compartment.

When requesting service or ordering parts, always provide the following information:

- Product name.
- Model number.
- Part Name
- Part Number

Get fixed, at your home or ours!

Your Home

For repair-in your home-of all major brand appliances, lawn and garden equipment, or heating and cooling system, **no matter who made it, no matter who sold it!**

For the replacement parts, accessories and owner's manuals that you need to do-it-yourself.

For Sears professional installation of home appliances and items like garage door openers and water heaters.

1-800-4-MY-HOME® (1-800-469-4663)

Call anytime, day or night (U.S.A. and Canada)

www.sears.com www.sears.ca

Our Home

For repair of carry-in items like vacuums, lawn equipment, and electronics, call or go on-line for the location of your nearest **Sears Parts & Repair Center.**

1-800-488-1222

Call anytime, day or night (U.S.A. only)

www.sears.com

To purchase a protection agreement on a product serviced by Sears:

1-800-827-6655 (U.S.A.)

1-800-361-6665 (Canada)

Para pedir servicio de reparación a domicilio, y para ordenar piezas:

1-888-SU-HOGARSM

(1-888-784-6427)

Au Canada pour service en français:

1-888-LE-FOYER^{MC}

www.sears.ca

SEARS

® Registered Trademark/TM Trademark/SM Service Mark of Sears, Roebuck and Co.

® Marca Registrada/TM Marca de Fábrica/SM Marca de Servicio de Sears, Roebuck and Co.

^{MC} Marque commerce/^{MD} Marque déposée de Sears, Roebuck and Co.

Free Manuals Download Website

<http://myh66.com>

<http://usermanuals.us>

<http://www.somanuals.com>

<http://www.4manuals.cc>

<http://www.manual-lib.com>

<http://www.404manual.com>

<http://www.luxmanual.com>

<http://aubethermostatmanual.com>

Golf course search by state

<http://golfingnear.com>

Email search by domain

<http://emailbydomain.com>

Auto manuals search

<http://auto.somanuals.com>

TV manuals search

<http://tv.somanuals.com>