



# High Efficiency Front-Loading Washer



Shown with dryer 26-8/92826

### HE3t™ Washer

- 26-42922 – White
- 26-42924 – Bisque
- 26-42926 – Graphite

- ▮ Front-loading convenience
- ▮ Uses 68% less water and 67% less energy than a conventional washer<sup>2</sup>
- ▮ Thermal optimization
- ▮ Catalyst™ Cleaning Action with direct inject
- ▮ Sensor Smart™ electronic controls
- ▮ Stainless steel wash drum
- ▮ Dynamic balancing system
- ▮ Automatic water level
- ▮ Detergent advantage system
- ▮ SUDs Saver
- ▮ Ultra Quiet Pak™ sound insulation
- ▮ Optional pedestal available



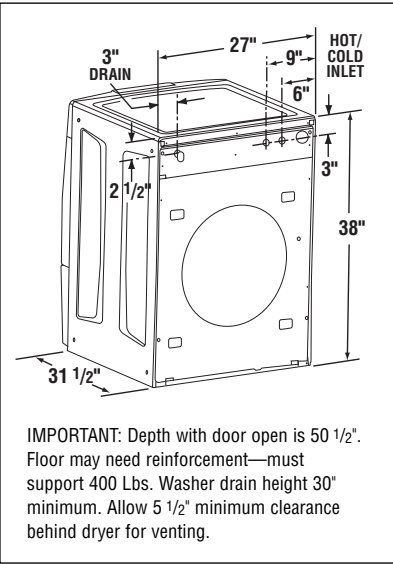
America's Cleanest Clothes!<sup>1</sup>



Model	Overall	Cabinet	Console	Door Trim
26-42922	White	White	White	Graphite
26-42924	Bisque	Bisque	Bisque	Graphite
26-42926	Graphite	Graphite	Graphite	Black

Selection	
White	26-42922
Bisque	26-42924
Graphite	26-42926
Washer Features	
Capacity (Cu. Ft.)	3.7 IEC†
Number of Speeds	Variable
SensorSmart™ Controls	Electronic
Spin Speeds	6
Maximum Spin Speed	1,200 RPM
Thermal Optimization	●
Wash Motion	Horizontal Axis
Catalyst™ Cleaning Action	w/Direct Inject
Automatic Cycles	
Express Wash	●
Whitest Whites	●
Heavy Duty	●
Normal/Casual	●
Ultra Handwash	●
Sanitary	●
Silk	●
Delicate	●
Wool	●
Special Cycles and Options	
Wash/Rinse Water Temperatures	6 ATC
Water Level Selections	Automatic
Pre-Wash	Automatic
Soak	Automatic
Delay Start	Up to 9 Hours
Add a Garment	●
Stain Treat	●
Extended Spin	●
Ecomax Performance System	●
Ultra Rinse	●
Second Rinse	●
Convenience Features	
Time Remaining Display	●

End-of-Cycle Signal	Adjustable	
Detergent Advantage System	4 Tray	
Pre-Wash Dispenser	●	
Detergent Dispenser	●	
Fabric Softener Dispenser	Automatic	
Bleach Dispenser	Timed	
Conservation Features		
Water Used in Normal Load	15.8 Gallons	
Water Saved	68%*	
Energy Saved	67%*	
Safety Features		
Door Safety Lock	●	
Child Lockout	●	
General Features		
Dynamic Balancing System	●	
SUDs Saver**	●	
Sound Insulation	Ultra Quiet Pak™	
Adaptable Variable Speed (AVS) Motor	1 H.P.	
Porcelain Enamelled Top	●	
Basket Finish	Stainless Steel	
ENERGY STAR®	●	
Est. Yearly Energy Consumption	286 kWh/yr.	
Est. Yearly Gas Water Htr.	\$11	
Operating Cost††	Elec. Water Htr. \$23	
Volts/Hz/Amps	120/60/10	
Front Serviceable	●	
See-Through Window	●	
Stackable Installation Kit	Included	
Shipping Weight (Approx. Lbs.)	251	
Optional Accessories		
Pedestal w/Drawer	White	26-42842
	Bisque	26-42844
	Graphite	26-42846
Pedestal Weight (Approx. Lbs.)	61	
Warranty		
Full 1-Year Warranty –		
Mechanical and Electrical Parts	In Home	



<sup>1</sup>Among leading brand front-loading washers, based on 20 lb. load.

<sup>2</sup>Compared to conventional washers using average water, sewer and electric rates and electric hot water heat, 10 loads per week, normal cycle.

ATC = Automatic Temperature Control

\*Compared to conventional washers using average water, sewer and electric rates and electric hot water heat, 10 loads per week, normal cycle.

\*\*The rinse system detects when too much detergent is interfering with performance and will clear the washer of suds. The console display will indicate "SUD" to alert the user.

†Per IEC 60456, washes the equivalent of a 3.7 cu. ft. agitator washer

††All energy \$/Yr. figures are calculated at the national average cost of \$0.0803/kWh and \$0.688 per therm. Energy rebates are offered and paid by the energy supplier in states where such programs exist. Criterion is based on percentage of energy efficiency attained beyond the 2001 standard. Dollar amounts may differ.



Because of our continuous program of product improvement, Sears reserves the right to change materials and specifications without notice. Consult installation instructions packed with the product for final dimensional data. For complete warranty information, contact your local Sears Contract Sales Account Manager.

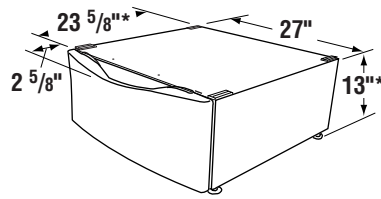




# High Efficiency Front-Loading Washer

## OPTIONAL PEDESTAL

\*The pedestal will add approximately 13" to the height of the washer and/or dryer; resulting in a total height of 51". Pedestal depth with drawer open is 42 3/16".



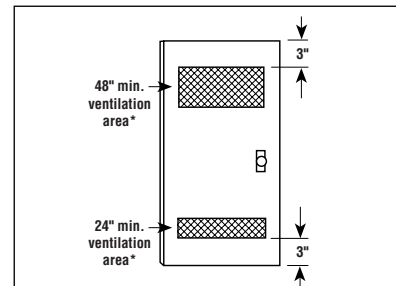
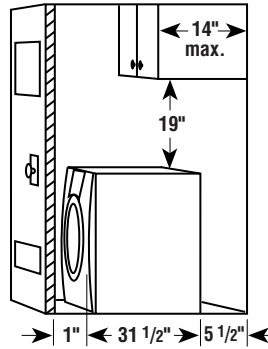
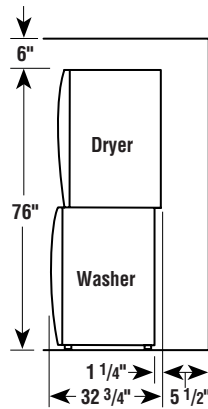
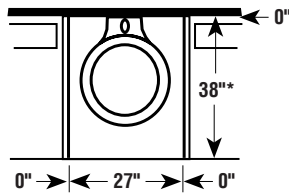
## INSTALLATION OPTIONS

**Installation Notes:** Minimum spacing allowed. Additional spacing should be considered for ease of installation and servicing. Additional clearances might be required for wall, door and floor moldings. Additional spacing of 1" on all sides of the washer and dryer is recommended to reduce noise transfer.

**Additional Notes for Stack Option:** Floor may need reinforcement—must support 600 Lbs. Pedestal cannot be used with stack option. Depth with door open 51 3/4". The HE3™ dryer is set back 1 1/4" on top of the washer. The dryer door must be reversed (washer door cannot be reversed).



\*For undercounter installations, an additional 1/2" height is recommended to allow for installation of the washer legs and proper leveling



\*For closet installation with a door, the minimum ventilation openings in the top and bottom of the door are required. Louvered doors with equivalent ventilation openings are acceptable.

## Free Manuals Download Website

<http://myh66.com>

<http://usermanuals.us>

<http://www.somanuals.com>

<http://www.4manuals.cc>

<http://www.manual-lib.com>

<http://www.404manual.com>

<http://www.luxmanual.com>

<http://aubethermostatmanual.com>

Golf course search by state

<http://golfingnear.com>

Email search by domain

<http://emailbydomain.com>

Auto manuals search

<http://auto.somanuals.com>

TV manuals search

<http://tv.somanuals.com>