

OWNER'S MANUAL

**MODEL NO.
625.384650**

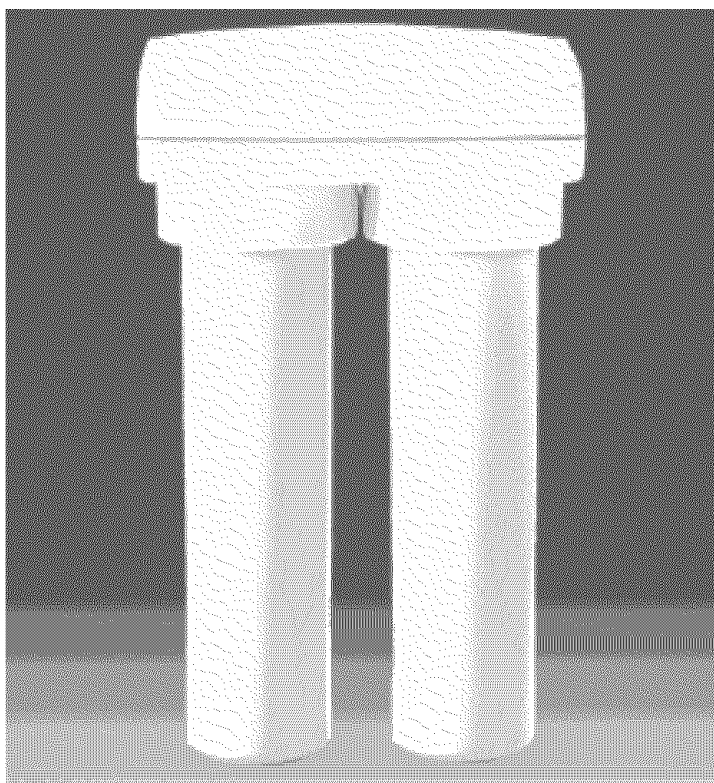
Caution:
Read and Follow
All Safety Rules,
Installation and
Operating
Instructions
Before First Use
of This Product.

If you have questions
when installing and using
your drinking water filter
system, call this toll-free
number...

1 - 800 - 426 - 9345

www.KenmoreWater.com

SAVE THIS MANUAL



DELUXE DUAL-STAGE DRINKING WATER SYSTEM

- ◆ Safety Guides
- ◆ Installation
- ◆ Operation
- ◆ Cartridge Replacement
- ◆ Repair Parts

System tested and certified by NSF International to
ANSI/NSF Standard 42 and 53 for the reduction of
the claims specified on the performance data sheet.



Sears, Roebuck and Co., Hoffman Estates, IL 60179 USA

SAFETY GUIDES / SPECIFICATIONS

▼ Read all steps and guides carefully before installing and using your undersink drinking water filter system. Follow all steps exactly to correctly install. Reading this manual will also help you to get all the benefits from the undersink drinking water filter system.

▼ Use the filter on a potable, safe-to-drink, home COLD water supply only. The filter cartridge will not purify water, or make it safe to drink. DO NOT use on HOT water (100°F, max.). Do not use with water that is microbiologically unsafe or of unknown quality without adequate disinfection before or after the system. This system is certified for cyst reduction and may be used on disinfected waters that may contain filterable cysts.

▼ Check with your local public works department for plumbing and sanitation codes. You must fol-

low their guides as you install the system. Follow your local codes if they differ with guides in this manual. In Massachusetts, plumbing codes of Massachusetts shall be adhered to. Consult with your licensed plumber.

▼ The undersink drinking water filter system works on water pressures of 30 psi (minimum) to 100 psi (maximum). If your house water pressure is over the maximum, install a pressure reducing valve in the water supply pipe to the filter system.

▼ Read the other limits (pH, hardness, etc.) in the specifications and be sure your water supply conforms.

▼ Protect the undersink drinking water filter system and piping from freezing. Water freezing in the housing will break it.

Min. - Max. Supply Water Pressure	30 - 100 psi
Min. - Max. Supply Water Temperature	40 - 100 °F
Inlet - Outlet	3/8" fittings and tubing included
Rated Service Flow	0.6 gpm at 60 psi

WARRANTY

FULL ONE YEAR WARRANTY ON UNDERSINK DRINKING WATER FILTER SYSTEM

For one year from the date of purchase, Sears will replace this Undersink Drinking Water Filter System (except filter cartridges, which are purchased separately), free of charge, if defective in material or workmanship.

WARRANTY IS AVAILABLE BY SIMPLY RETURNING THE UNDERSINK DRINKING WATER FILTER SYSTEM TO THE NEAREST SEARS STORE THROUGHOUT THE UNITED STATES.

This warranty gives you specific legal rights, and you may have other rights which vary from state to state.

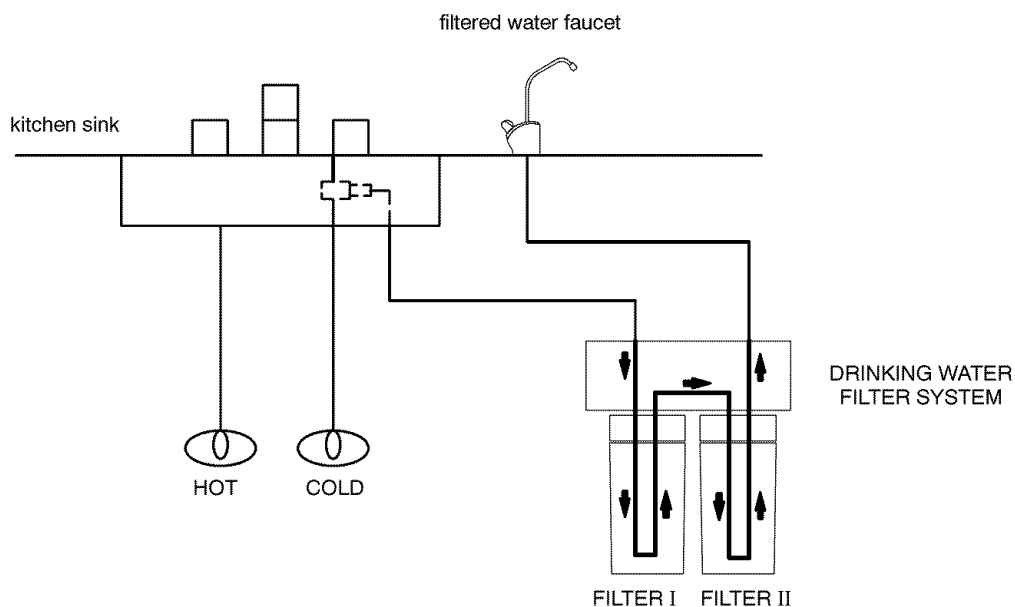
Sears, Roebuck and Co., DEPT. 817 WA, Hoffman Estates, IL 60179

TABLE OF CONTENTS

Parts of the System / Typical Installation Drawing / Tools and Materials Needed	4
Drinking Water Filter System Installation	5 - 7
Installing Supply Fitting	5
Installing Faucet	5 - 6
Making Tubing Connections	7
Using the Filtered Water System	8
Filter Cartridge Life / Replacement	8 - 9
Repair Parts	10 - 11

Locate the water filter housing on the **cold** water supply pipe, under the kitchen or bathroom sink, to filter the cold drinking water. Refer to the following drawing.

FILTERING WATER TO ONE FAUCET



PARTS OF THE SYSTEM

- ✓ filter system assembly including mounting bracket and screws
- ✓ water supply fitting
- ✓ filtered water faucet for sink or countertop mounting
- ✓ 3/8" tubing to make all needed connections

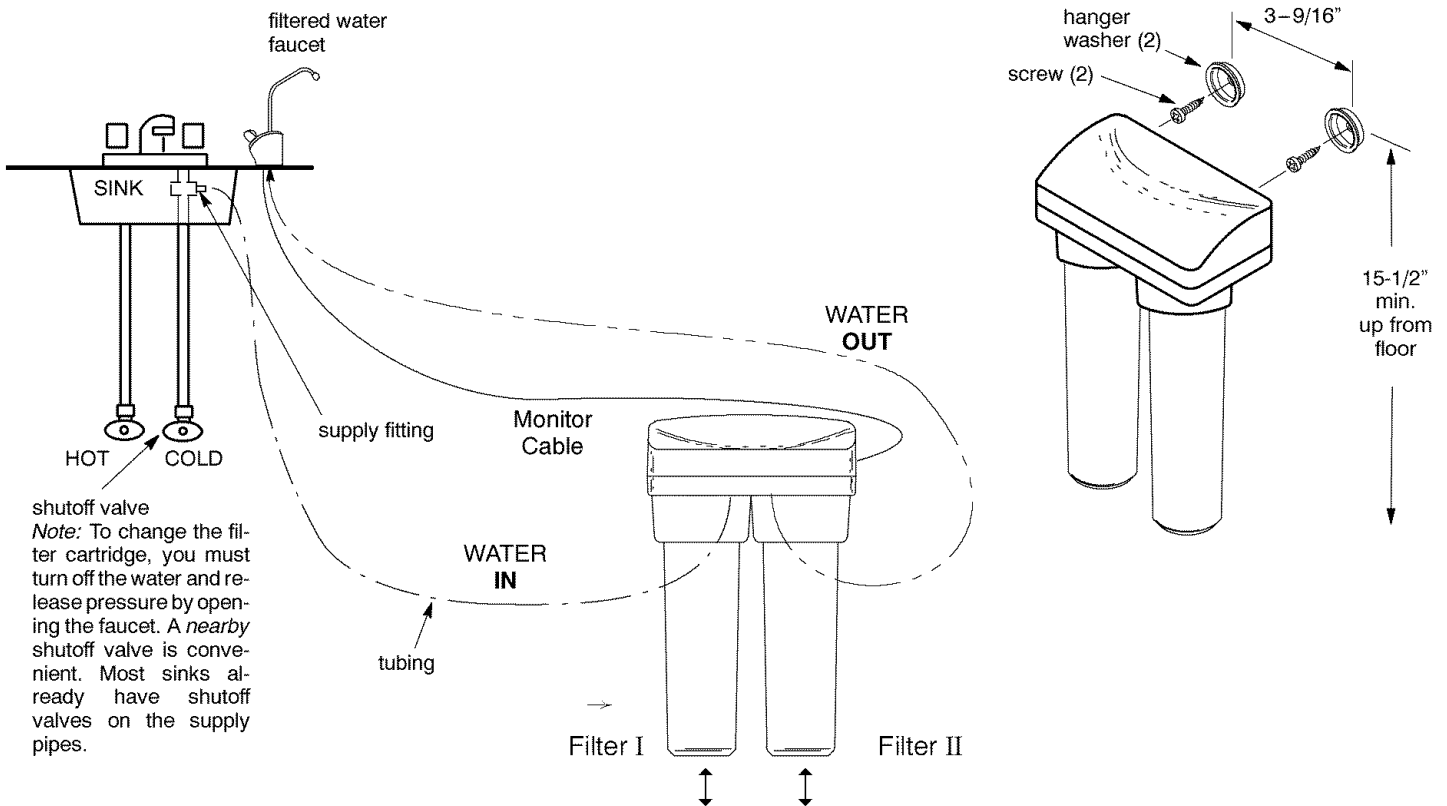
MATERIALS AND TOOLS NEEDED

- plumbers putty
- Phillips screwdrivers
- pliers and adjustable jaw wrench
- tubing cutter
- pipe joint compound or Teflon tape
- electric drill and 1" drill bit if mounting hole is needed for the faucet, see page 6

CAUTION: To avoid damaging the sink, consult a qualified plumber or installer for drilling procedures in porcelain or stainless steel.

TYPICAL UNDERSINK INSTALLATION

FIG. 1



shutoff valve
Note: To change the filter cartridge, you must turn off the water and release pressure by opening the faucet. A nearby shutoff valve is convenient. Most sinks already have shutoff valves on the supply pipes.

Note: Be sure to allow a minimum space of 1-1/2" under the system for removing the sumps, to change the cartridges.

INSTALLATION STEPS

STEP 1 - COLD WATER SUPPLY FITTING

Check and comply with local plumbing codes as you plan, then install a cold feed (supply) water fitting. The fitting must provide a leak-tight connection to the water filter 3/8" tubing. A typical connection using the included water supply fitting is shown in FIG.2 - A. An optional connection using standard plumbing fittings (not included), is shown in B.

A. WATER SUPPLY FITTING

1. Close the house main water shutoff valve and open faucets to drain water from the sink cold water pipe.
2. Remove nut that connects the cold water faucet to cold water plumbing.
3. Use pipe joint compound or Teflon tape on **cold water faucet stud** threads and on the male threads of the **water supply fitting** that connect to the **cold water pipe**.
4. Thread water supply fitting onto pipe and reconnect nut to bottom of fitting.

B. OPTIONAL PIPE FITTINGS

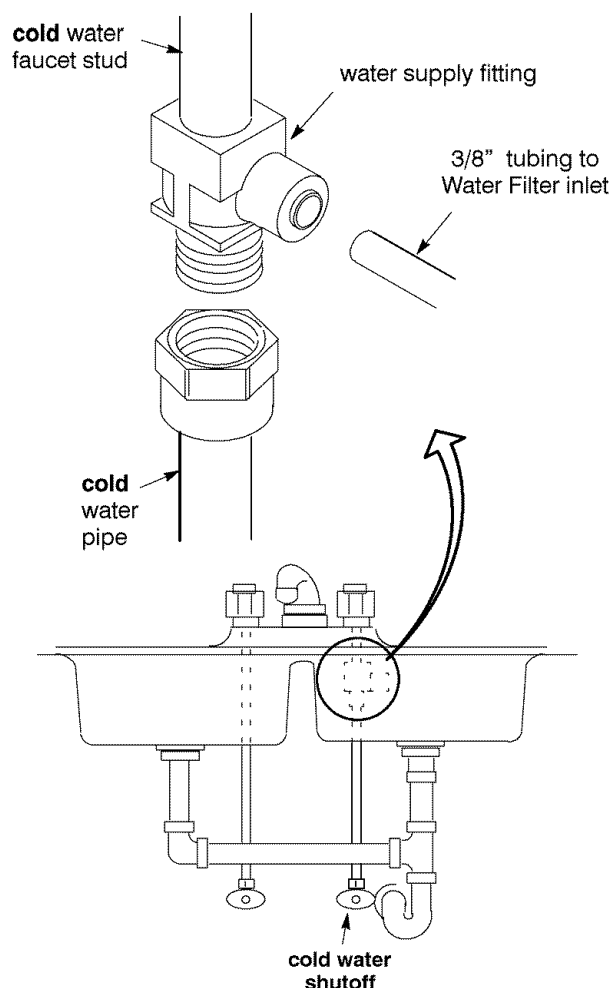
(compression type shown)

Note: Be sure to turn off the water supply and open a low faucet to drain the pipe.

Complying with plumbing codes, install a fitting on the cold water pipe to adapt 3/8" OD tubing. A typical connection is shown in figure 2B. If threaded fittings are used, be sure to use pipe joint compound or Teflon tape on outside threads.

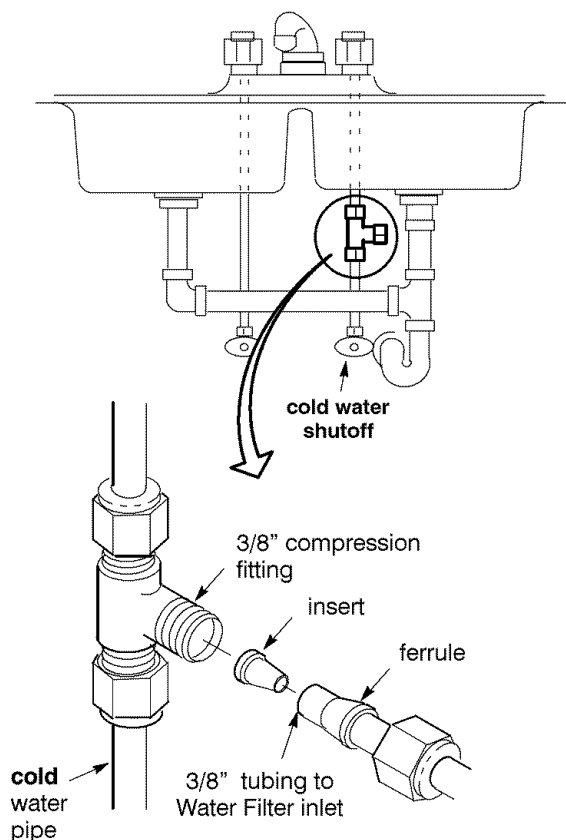
FIG. 2

A. WATER SUPPLY CONNECTION
(using included water supply fitting)



B. WATER SUPPLY TYPICAL CONNECTION
(using compression fitting)

- parts not included -



INSTALLATION STEPS

STEP 2 - MAKE HOLE FOR FILTERED WATER FAUCET

Select one of the following places to install the faucet. Be sure there's room underneath so you can make the needed connections.

- In an existing sink spray attachment hole.
- Drill a hole in the sink top.
- Drill a hole in the countertop next to the sink.

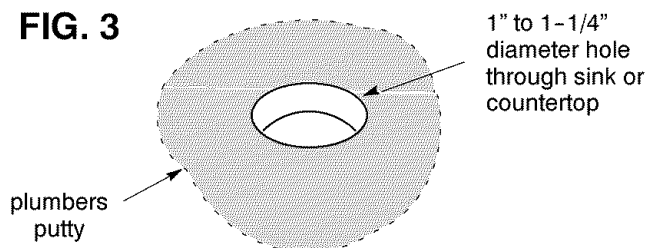
1. If drilling is needed make a 1" to 1-1/4" diameter hole for the faucet.

CAUTION: To avoid damaging the sink, consult a qualified plumber or installer for drilling procedures

in porcelain or stainless steel. Special drill bits are made for this.

2. Place plumbers putty around the drilled hole to prevent water leaks around the faucet.

FIG. 3

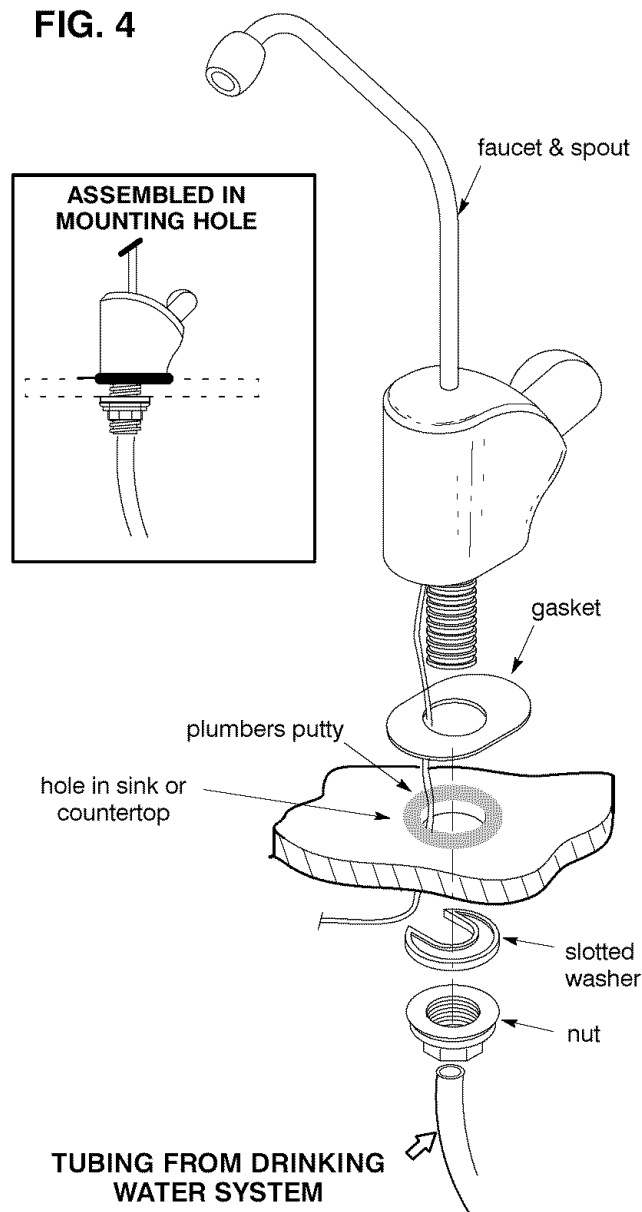


STEP 3 - ASSEMBLE AND INSTALL FAUCET

1. Faucet, FIG. 4:

1. Remove the large nut from the faucet threads.
2. Slide the faucet stud and telephone style wire through the sink or countertop hole.
3. On the underside of the sink or countertop, screw the nut on the faucet threads with the wire running through the slot in the washer. **Tighten the nut so the faucet cannot move, but do not overtighten.**
4. Connect tubing to push to connect fitting on bottom of faucet stud per instructions on page 7.
5. Connect the telephone style wire to the receptacle on PWA board in the manifold and route the wiring through slots in top cover and manifold assembly.

FIG. 4



INSTALLATION STEPS

STEP 4 - MAKE TUBING CONNECTIONS

1. Allowing some slack, measure and cut a length of 3/8" tubing to connect between the supply fitting and the filter system inlet, FIG. 1. Cut the ends of the tubing square.
2. Insert tubing all the way into the supply fitting and inlet fitting. **Pull on the tubing to be sure that it's held firmly in the fitting.**
3. Repeat steps 1 and 2 to connect tubing between the filter system outlet and the adaptor on the bottom of the faucet stud, FIG. 1.

TUBING CONNECTION (all push-in fitting locations)

This system includes push-in fittings for quick tubing connection at most locations. If working with the fittings do the following.

Connection, FIG. 5 - A:

1. Use a sharp cutter or knife to cut the end of tubing square.
2. Inspect the end (about 1") of the tubing to be sure there are no nicks, scratches or other rough spots. If needed cut the tubing again.
3. Push tubing through the collet and all the way into fitting. Full engagement is 11/16" for 1/4" tubing, and 3/4" for 3/8" tubing.

If tubing other than supplied with the system is used, be sure it is of high quality, exact size and roundness with a smooth surface.

To Disconnect Tubing, FIG. 5 - B: Push the collet inward and hold with a finger while pulling the tubing out.

FIG. 5 - A

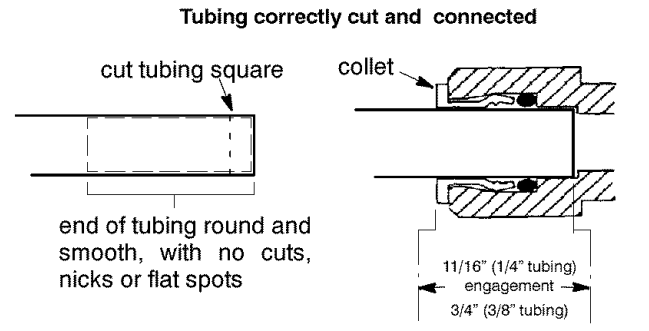
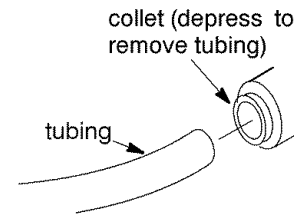


FIG. 5 - B



CAUTION

DO NOT USE VINEGAR, OR OTHER ACID BASED CLEANERS ON THIS SYSTEM. THEY WILL DEGRADE SOME SYSTEM PARTS. ALWAYS USE SOAP AND WATER.

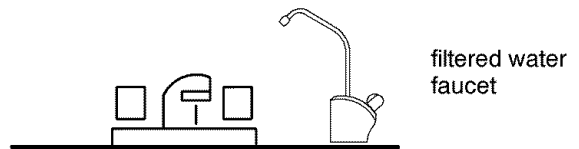
STEP 5 - FILTER CARTRIDGE INSTALLATION

Turn to page 9 and follow all steps under "Filter Cartridge Replacement".

A taste and odor cartridge contains activated carbon, a black powder. After the new cartridge is installed, open the filtered water faucet and allow fine, harmless carbon particles to purge from the cartridge. Close the faucet when you no longer see the "fines" in the filtered water, or approximately 2-3 minutes.

USING THE SYSTEM

The sink or countertop faucet has a hand operated knob to access drinking water. Turning the knob to the left opens the faucet, turning to the right shuts off the faucet.



FAUCET ELECTRONICS

The Undersink Drinking Water Filter will monitor the total water flow of the unit and also length of time the filters have been installed. The faucet base has an indicator light that flashes to inform you of the status of the filters.

Green - Filters are good. *Amber* - Warning, filters need replacing shortly. Filters need replacing, when water has been drawn, after 168 days (or 960 gallons have been used) since battery change. *Red* - Filters **must** be replaced. Will flash after 14 additional days (or 80 additional gallons).

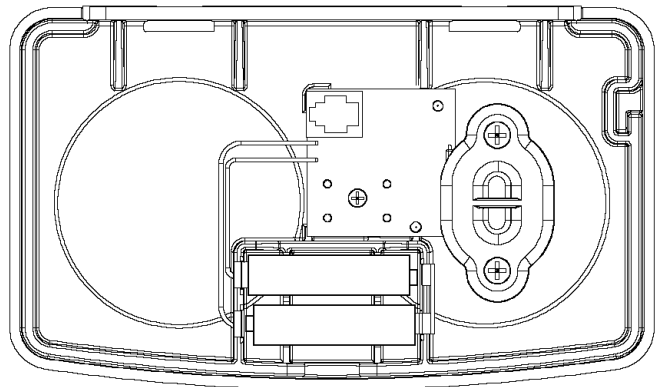
When the two "AA" batteries are first applied at initial start up, the LED indicator light will flash in a amber, green, red sequence. All timers and counters are reset to zero.

In order to reset the monitor time and gallon count feature, the batteries should be removed for a minimum of five seconds and then reinserted.

Batteries need to be replaced once a year at the time of filter replacement. Do not mix battery types, use

only "AA" alkaline batteries. Improper placement of batteries could damage electronics. Use care when inserting batteries to align them correctly in manifold with the proper polarity.

If the faucet LED indicator light does not function after a battery change, and the batteries are known to be good and installed properly, there may be a residual charge on the static protection device. To dissipate this charge, remove the batteries for one hour.



FILTER CARTRIDGE / USEFUL LIFE / REPLACEMENT

FILTER CARTRIDGE LIFE

Several variables determine how long a cartridge will last. These include:

1. how much water you use
2. how much sediment, taste and/or odor, or other unwanted substance, is in the water

Use the following information as a guide. However, no matter which type of cartridge you are using, you will know **it is time to replace it when you first notice the return of the unwanted substance in your water.**

Kenmore system model 625.384650 with replacement elements 42-38466 has been tested and certified by NSF International for the reduction of chlorine, lead, asbestos, cysts, VOC's and MTBE. The rated capacity for this system is 1040 gallons.

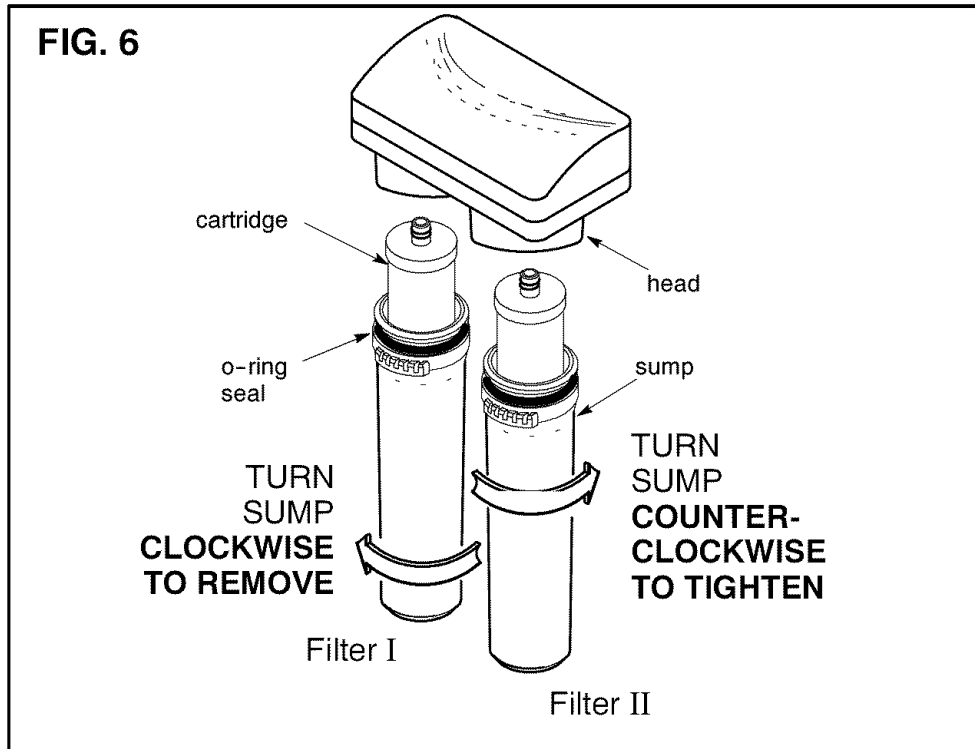
FILTER CARTRIDGE REPLACEMENT

CAUTION: Never remove sumps with water pressure in the filter system.

1. Close the water supply shut-off valve (FIG. 1, page 4) to the filter. Open the filtered water faucet

to relieve pressure in the system.

2. Turn the sump off of the filter head, to the left or clockwise 1/4 turn. Be careful, the sump is full of water. Do not lose the large o-ring seal.



3. Be sure the inside of the sump is clean. Use hot, soapy water and rinse thoroughly.

4. Remove the wrapper from the new filter cartridge and insert the filter cartridge in the sump. Be sure the two o-rings are towards the filter head.

Note: If you are installing two different types of filter cartridges, be sure to install in filters I and II as the guideline on page 3 shows.

5. Lightly lubricate the o-ring seal in the sump with silicone grease or Vaseline. Be sure it is fully seated in its groove.

6. Hold the sump up to the filter head aligning the protrusion on the cartridge with the center hole in the bottom of the head.

Note: If the sump will not tighten up to the head you may have the cartridge in upside down. Take the cartridge out and check for correct orientation.

7. Turn (counterclockwise) the sump onto the filter head 1/4 turn.

8. Repeat steps 2 through 7 at the other filter.

9. Open the filtered water faucet. Then, slowly open the water supply valve and allow the filter housing to fill.

10. Close the filtered water faucet. Check for leaks between the sump and the head.

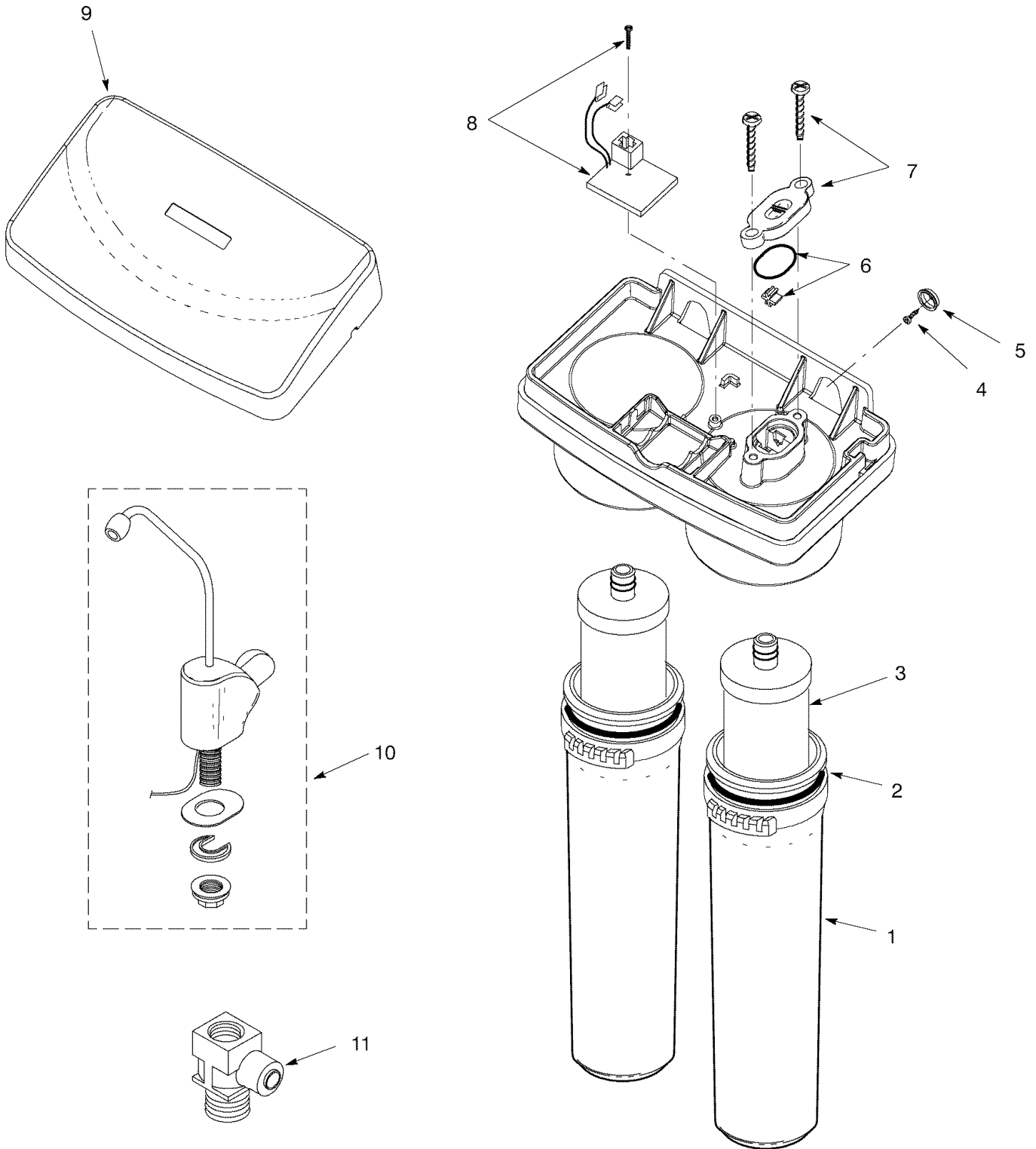
11. Remove and replace batteries to reset counter and timer.

Note: If leaking, turn off the water supply and open the filtered water faucet to depressurize the filter. Then disassemble the filter and check the o-ring for cuts, flat spots, etc., and sealing surfaces for foreign material. Clean the o-ring and lubricate with silicone grease or Vaseline. Carefully press the o-ring into the groove in the sump.

12. Taste and Odor Cartridges: A taste and odor cartridge contains activated carbon, a black powder. When new, open the filtered water faucet and allow fine, harmless carbon particles to purge from the cartridge. Close the faucet when you no longer see the "fines" in the filtered water, or approximately 2-3 minutes.

REPAIR PARTS

Kenmore Deluxe Dual-Stage Drinking Water System, Model No. 625.384650



REPAIR PARTS LIST

KEY NO.	PART NUMBER	DESCRIPTION
1	7221128	Sump (2 req.)
2	7223633	O-Ring (2 req.)
3	42-38466	Filter, Carbon Block (2 Pack)
4	9006062	Screw (2 req.)
5	9041700	Hanger Washer (2 req.)
6	7234210	Paddlewheel & O-Ring Kit
7	7234228	Paddlewheel Cover & Screw Kit
8	7234252	Rep'l Pwa (includes screw)
9	7234286	Cover, Manifold
10	7226495	Faucet
11	7228536	Feed Supply Fitting
◆	7157280	Tubing, 3/8" x 20' - white
◆	7227467	Owners Manual

◆ not illustrated

OWNERS MANUAL

MODEL NO.
625.384650

The model number of your drinking water filter system is found on the rating decal, located on the back of the post filter.

When requesting service or ordering parts, always provide the following information:

- ◆ Product Type
- ◆ Model Number
- ◆ Part Number
- ◆ Part Description

www.KenmoreWater.com



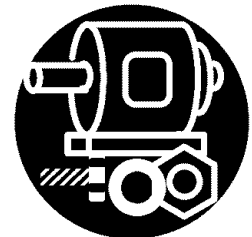
UNDERSINK DRINKING WATER FILTER SYSTEM

For the repair or replacement parts you need

Call 7 am - 7 pm, 7 days a week

1 - 800 - 366 - PART

(1 - 800 - 366 - 7278)



For in-home major brand repair service

Call 24 hours a day, 7 days a week

1 - 800 - 4 - REPAIR

(1 - 800 - 473 - 7247)



For the location of a
Sears Repair Service Center in your area

Call 24 hours a day, 7 days a week

1 - 800 - 488 - 1222



For information on purchasing a Sears
Maintenance Agreement, or to inquire
about an existing Agreement

Call 9 am - 5 pm, Monday - Saturday

1 - 800 - 827 - 6655



SEARS

REPAIR SERVICES

America's Repair Specialists

Sears, Roebuck and Co., Hoffman Estates, IL 60179 U.S.A.

7227467 (Rev. C 05/11/01)

Free Manuals Download Website

<http://myh66.com>

<http://usermanuals.us>

<http://www.somanuals.com>

<http://www.4manuals.cc>

<http://www.manual-lib.com>

<http://www.404manual.com>

<http://www.luxmanual.com>

<http://aubethermostatmanual.com>

Golf course search by state

<http://golfingnear.com>

Email search by domain

<http://emailbydomain.com>

Auto manuals search

<http://auto.somanuals.com>

TV manuals search

<http://tv.somanuals.com>