

# OWNER'S MANUAL

**MODEL NO.**

**Kenmore C-20  
625.388110**

**Caution:**

Read and Follow  
All Safety Rules and  
Operating Instructions  
Before First Use of  
This Product.

If you have questions when  
installing, operating or main-  
taining your softener, and  
when setting the timer, call  
this toll-free number...

**1-800-426-9345**  
(M - F, 7 am - 8 pm, CST)

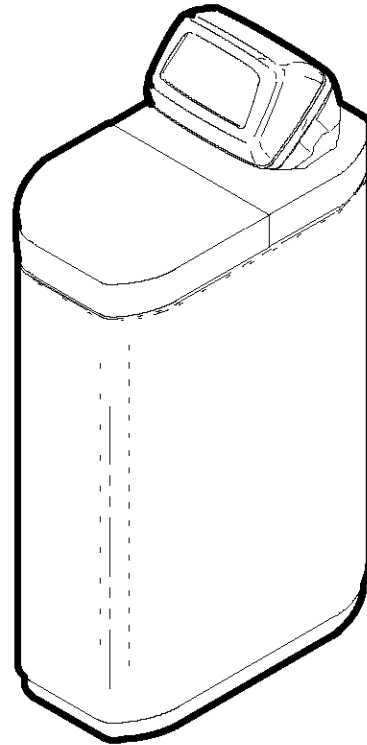
For repair or replacement  
parts, call this toll-free num-  
ber...

**1-800-366-7278**

See back cover for other  
Sears service numbers.

[www.KenmoreWater.com](http://www.KenmoreWater.com)

**SAVE THIS MANUAL**



## Water Softener

**with Deluxe Valve**

- ◆ Warranty
- ◆ Start Up / Setting Timer
- ◆ How It Works
- ◆ Care Of
- ◆ Specifications
- ◆ Repair Parts

Use the plastic bag and tie provided, to hang manuals  
nearby the softener for future reference.

**Sears, Roebuck and Co., 3333 Beverly Road, Hoffman Estates, IL 60179 USA**

# WARRANTY

# WARRANTY

## SEARS RESIDENTIAL WATER SOFTENER

### FULL ONE YEAR WARRANTY ON WATER SOFTENER

For one year from the date of purchase, when this water softener is installed and maintained in accordance with our instructions, Sears will repair, free of charge, defects in material or workmanship in this water softener.

### FULL TEN YEAR WARRANTY AGAINST LEAKS

For ten years from the date of purchase, Sears will furnish and install a new current model water softener tank or salt storage drum, free of charge, if either the tank or drum develop a leak.

TO OBTAIN WARRANTY SERVICE, SIMPLY CONTACT THE NEAREST SEARS SERVICE CENTER THROUGHOUT THE UNITED STATES. This warranty applies only while this product is in use in the United States.

This warranty gives you specific legal rights, and you may have other rights which vary from state to state.

Sears, Roebuck and Co., D/817 WA, Hoffman Estates, IL 60179

If you want your water softener professionally installed, talk to your Sears Salesman. He will arrange for a prompt, quality installation by Sears Authorized Installers.

### SEARS INSTALLATION POLICY

All installation labor arranged by Sears shall be performed in a neat, workmanlike manner in accordance with generally accepted trade practices. Further, all installations shall comply with all local laws, codes, regulations, and ordinances. Customer shall also be protected, during installation, by insurance relating to Property Damage, Workman's Compensation and Public Liability.

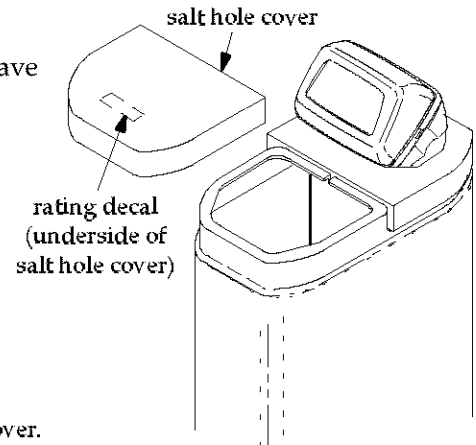
### SEARS INSTALLATION WARRANTY

In addition to any warranty extended to you on the Sears merchandise involved, which warranty becomes effective the date the merchandise is installed, should the workmanship of any Sears arranged installation prove faulty within one year, Sears will, upon notice from you, cause such faults to be corrected at no additional cost to you.

### FACTS AND FIGURES TO KEEP

Fill in the blanks below and keep this book in a safe place so you always have these facts.

Water Softener Model No.† \_\_\_\_\_  
Serial Number \_\_\_\_\_  
Date Installed \_\_\_\_\_  
Water Hardness \_\_\_\_\_ Grains Per Gallon  
Iron Content \_\_\_\_\_ Parts Per Million  
pH \_\_\_\_\_ Taste And/Or Odor \_\_\_\_\_  
Water Pressure \_\_\_\_\_ Pounds/Square Inch  
Water Flow Rate \_\_\_\_\_ Gallons Per Minute



† The model number is on the rating decal, located on the rim, under the salt hole cover.

<b>SECTION 1</b>	<b>WATER SOFTENER START UP</b>	<b>PAGE NO.</b>
A.	Safety Guides -----	1-1
B.	Check List of Step-By-Step Guides To Install -----	1-2
C.	Program The Timer -----	1-3, 1-4
D.	Sanitizing The Water Softener -----	1-5
E.	Adding Salt to the Storage Tank -----	1-6
<b>SECTION 2</b>	<b>HOW YOUR WATER SOFTENER WORKS</b>	
A.	Faceplate Timer Features -----	2-1
B.	Soft Water Service and Regeneration -----	2-2 to 2-4
<b>SECTION 3</b>	<b>CARE OF YOUR WATER SOFTENER</b>	
A.	Salt: Refilling Storage Tank / Salt Bridge -----	3-1
B.	Keeping The Water Softener Clean -----	3-2
C.	Protect The Water Softener From Freezing -----	3-3
D.	Checklist (Not Getting Soft Water) -----	3-4
<b>SECTION 4</b>	<b>ABOUT YOUR WATER SOFTENER</b>	
A.	Dimensions / Specifications -----	4-1, 4-2
<b>SECTION 5</b>	<b>SERVICE TECH. INFORMATION</b>	
A.	Troubleshooting -----	5-1 to 5-4
B.	Rotary Valve Service -----	5-5
C.	Water Flow Through The Softener Valve -----	5-6 to 5-8
<b>SECTION 6</b>	<b>REPAIR PARTS FOR WATER SOFTENER</b>	
A.	Water Softener -----	6-1
B.	Water Softener Parts List -----	6-2
C.	Valve Assembly Parts List -----	6-3, 6-4

## A. SAFETY GUIDES

▲ Read all steps, guides and rules carefully before installing and using your new water softener. Follow all steps exactly to correctly install. Failure to follow them could cause personal injury or property damage. Reading this book will also help you to get all of the benefits from your water softener.

▲ Your water softener will remove hardness minerals and “clear water” iron\* from water, up to the limits shown on page 4-1. It will not remove other types of iron, acids, tastes and odors, etc. It will not purify polluted water or make it safe to drink.

▲ Protect the softener and piping from freezing. Damage from freezing voids the softener warranty. See page 3-3.

### CAUTIONS

PLEASE READ AND COMPLY WITH THE FOLLOWING GUIDES TO PREVENT DAMAGE TO THE SOFTENER OR OTHER PROPERTY, PERSONAL INJURY, OR POSSIBLE FATAL SHOCK.

▲ THIS SOFTENER WORKS ON 24 VOLTS ONLY. BE SURE TO USE ONLY THE TRANSFORMER INCLUDED, AND PLUG IT INTO A NOMINAL 120V, 60 CYCLE HOUSEHOLD OUTLET THAT IS GROUNDED AND PROPERLY PROTECTED BY AN OVERCURRENT DEVICE SUCH AS A CIRCUIT BREAKER OR FUSE. IF TRANSFORMER IS REPLACED, USE ONLY THE AUTHORIZED SERVICE, CLASS II, 24 VOLT, 10 VA TRANSFORMER.

▲ Unplug the transformer right away if the power cable should become damaged or frayed. Make repairs, or replace transformer, before plugging back into the power outlet.

▲ Always unplug the softener from electrical power before removing outer valve covers.

▲ This system is not intended to be used for treating water that is microbiologically unsafe or of unknown quality without adequate disinfection before or after the system.

\* Capacity to remove clear water iron was tested in the field by the manufacturer.

## B. CHECK LIST OF STEP-BY-STEP GUIDES TO INSTALL

To be sure you have done all the steps to install the softener, read the following list. Refer to the Installation Manual, part no. 7267336, for step-by-step guides.

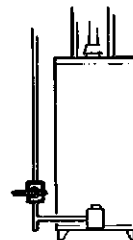
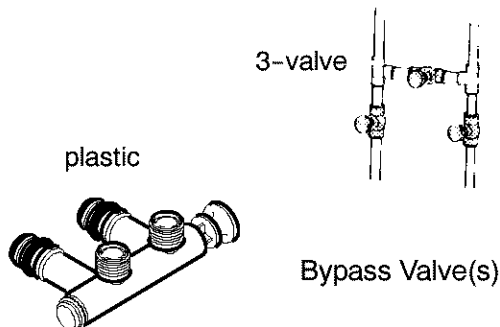
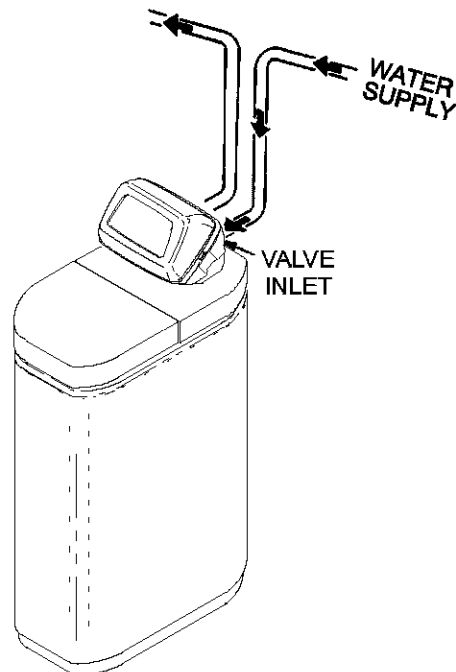
Page numbers referred to are in the *Installation Manual* unless otherwise noted.

- ✓ Is the house water flow going INTO the softener valve INLET? Trace piping to be sure. See pages 2-4 and 2-5.
- ✓ Is the plumbing bypass valve (or 3 valves) set for SERVICE? Bypass valve(s) should always remain in soft water service position. Position in "bypass" only if needed for softener repairs. See FIG. 14, page 4-1 of this manual.
- ✓ Is the valve drain hose connected the right way, and without sharp bends or kinks that could stop or reduce water flow? See page 3-5 in the installation manual.

Page numbers referred to are in the *Installation Manual* unless otherwise noted.

- ✓ Is the transformer plugged into an **inside**, always live, grounded, 120V-60Hz electrical outlet? See pages 3-8 and 3-9 in the installation manual, and the wiring schematic on page 5-1 of this manual.
- ✓ Be sure to restart the water heater. See page 3-9.

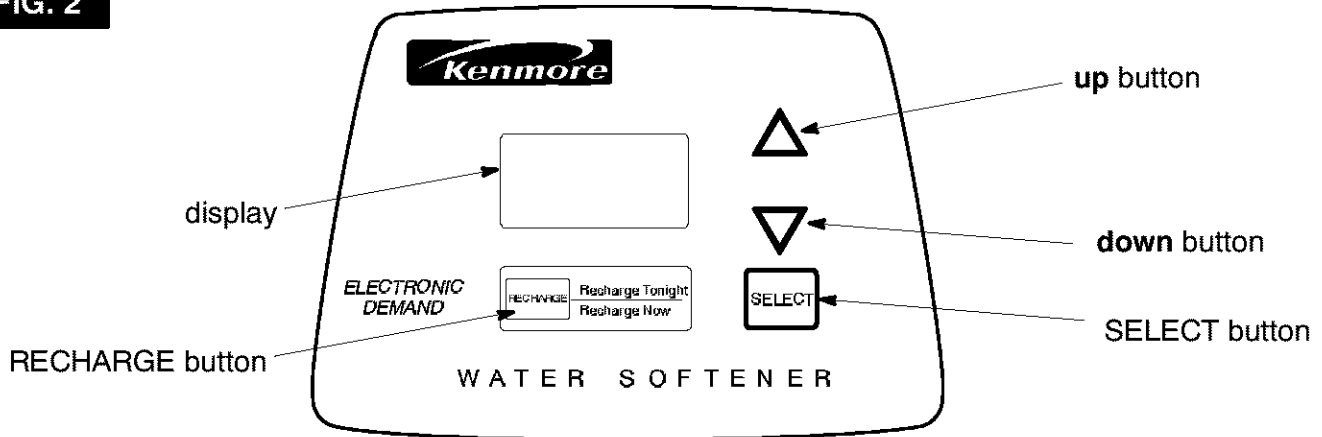
FIG. 1



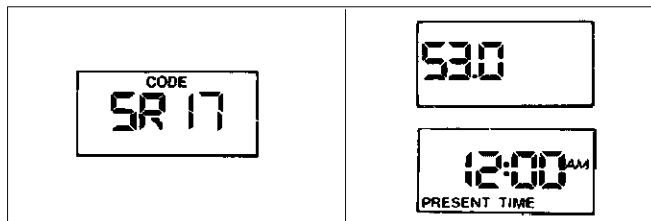
NOTE: Codes in the state of Massachusetts require installation by a licensed plumber. For installation, use plumbing code 248-CMR of the Commonwealth of Massachusetts.


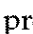
## C. PROGRAM THE TIMER

FIG. 2



When the transformer is plugged in, a model code, and a test number (example: S3.0) show in the face plate display for 4 seconds. Then, 12:00 AM and *PRESENT TIME* begin to flash.

**Notes:**

If SR - - shows in the display, press the UP  or DOWN  button until SR17 is shown. Then, press the SELECT button to set, and change to the flashing *PRESENT TIME* display.

To check the model code, unplug the transformer at the wall outlet and plug in again. **if other than SR17 shows, see page 5-3 to reset.**

**SOUND "BEEPER":** A "beeper" sounds while pressing buttons for timer set-up. One beep signals a change in the face plate display. Repeated beeps mean the timer will not accept a change from the

button you have pressed, telling you to use another button. For example, while setting the hardness (step 2), the beeper sounds repeatedly when the display reaches 1 using the DOWN button, or the highest hardness setting using the UP button.

**1. SET PRESENT TIME OF DAY**

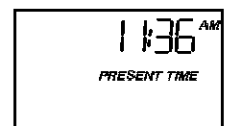
If the words *PRESENT TIME* do not show in the display, press the SELECT button (FIG. 2) until they do, or see the previous notes.

■ Press the UP / DOWN buttons to set the present time. Press UP to move the display ahead; press DOWN to move the time backward.

If the present time is between noon and midnight, be sure *PM* shows.



If the present time is between midnight and noon, be sure *AM* shows.



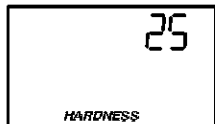
Each press of the UP /DOWN buttons changes the time by one minute. Holding the buttons in changes the time rapidly.

## C. PROGRAM THE TIMER

**2. SET WATER HARDNESS NUMBER**

■ Press the SELECT button once to display 25 (flashing) and *HARDNESS*.

The grains per gallon (gpg) hardness of your water supply is on your water analysis report. Be sure to enter water test results on page A, for future reference.



If your water supply contains iron, compensate for it by adding to the water hardness number. For example, assume your water is 20 gpg hard and contains 2 ppm iron. **Add 5 to the hardness number for each 1 ppm of iron.** In this example, you would use 30 for your hardness number.

$$2 \text{ ppm iron} \times 5 = 10 \text{ (times)} \quad \begin{array}{r} 20 \text{ gpg hardness} \\ +10 \\ \hline 30 \text{ HARDNESS NUMBER} \end{array}$$

■ Press the UP / DOWN buttons to set your water hardness number in the display. The DOWN button moves the display to 1. The UP button moves the display to the highest setting (see maximum setting for your model in the specifications).

Note:

Each press of the UP / DOWN button changes the display by 1 between 1 and 25. Between 25 and the highest number, the display changes 5 at a time...25, 30, 35, etc. Holding the UP or DOWN button in changes the display twice each second.

**3. SET RECHARGE (REGENERATION) TIME**

■ Press the SELECT button to display 2:00 AM (flashing) and *RECHARGE TIME*.



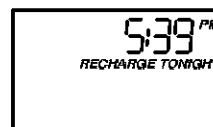
At the 2:00 AM recharge time setting, the softener begins regeneration (see pages 2-3 and 2-4) at 2:00 AM, ending no later than 4:00 AM. This is a good time in most households because water is not being used (see **Automatic Bypass**, page 2-4). If a different recharge time setting would be better for your household, do the following.

■ Press the UP / DOWN buttons to set the desired recharge starting hour. Be sure to observe the AM-PM as you did when setting the present time of day.

Note:

Each press of the UP / DOWN buttons changes the display 1 hour. Holding the buttons in changes the display twice each second.

■ Press the SELECT button once again, to complete initial programming, and *RECHARGE TONIGHT* shows in the display.



IF YOU NEED HELP PROGRAMMING THE TIMER, CALL TOLL FREE,  
NUMBER 1-800-426-9345.

SEE PAGE 2-1 FOR OTHER FACE PLATE TIMER FEATURES.

### D. SANITIZE THE WATER SOFTENER

Care is taken at the factory to keep your water softener clean and sanitary. Materials used to make the softener will not infect or contaminate your water supply, and will not cause bacteria to form or grow. However, during shipping, storage, installing and operating, bacteria could get into the softener. For this reason, sanitizing as follows is suggested<sup>①</sup> when installing.

1. The first time you sanitize your softener, be sure to do *all* steps in the installation manual, and on pages 1-2, 1-3 and 1-4 of this manual first.  
Note: Be certain the bypass valve is pulled out to "service" position.
2. Lift the salt hole cover and use a pail to fill the salt storage tank with 3 gallons of water.
3. Remove the brinewell cover (FIG. 3) and pour about 3/4 ounce, or 1 to 2 tablespoons, of common 5.25%, *unscented*, household bleach (Clorox, Linco, BoPeep, White Sail, Eagle, etc.) in the softener brinewell. Replace the brinewell cover.
4. Press the **ON/OFF-HOLD** button and *hold for 3 seconds* to start a recharge. This first recharge does several things.

- It draws the bleach into and through the softener to sanitize it.
- It fills the salt tank to the water level needed.
- It gets all the air out of the resin tank.
- It prepares the resin bed (see page 2-3) for service and flushes residual chlorine from the softener.

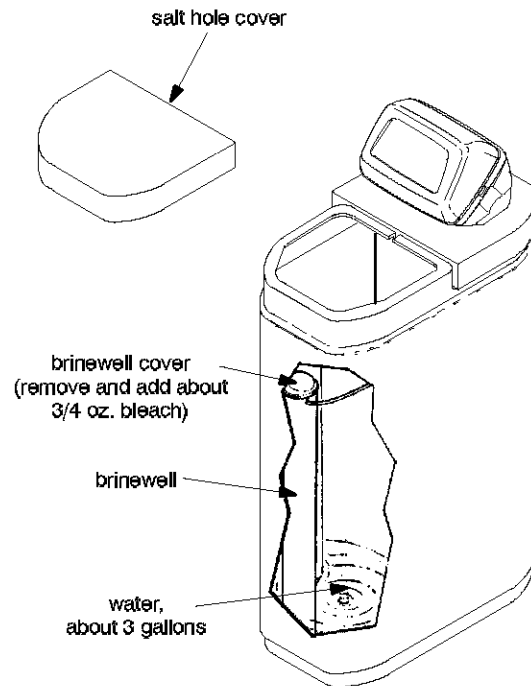
Notes:

This recharge takes about 2 hours.

**You can sanitize the softener *with or without* salt in the storage tank.**

<sup>①</sup> Recommended by the Water Quality Association. On some water supplies, the water softener may need periodic disinfecting.

**FIG. 3**





## E. ADDING SALT TO STORAGE TANK

Brine (salt dissolved in water) is needed for each and every regeneration. The water for making brine is metered into the salt storage tank by the softener. However, you must keep salt in the tank, but it is not necessary to keep it full. **It is best to fill the storage tank one quarter to one half full, and to refill it more often.** Salt bridging (see page 3-1) occurs more often when conditions are humid and the tank is filled to the top.

Fill the tank with NUGGET or PELLET water softener salt. **DO NOT** use rock salts, as they have dirt and sediments that will stop the softener from working.

Before filling, be sure the brinewell cover is in place on the top of the brinewell.

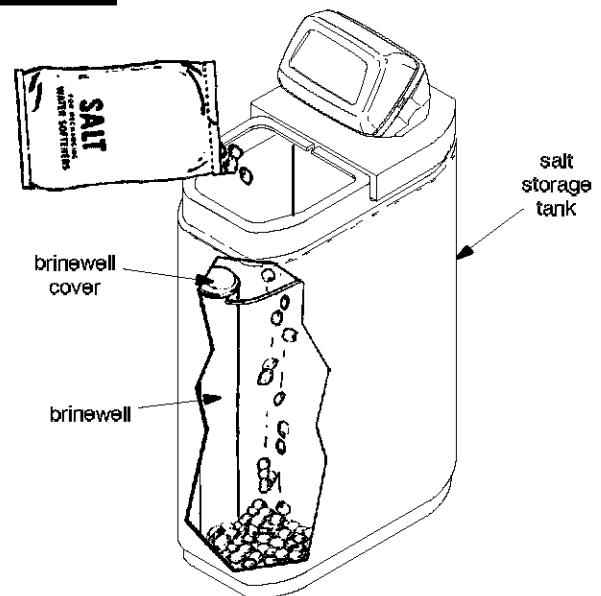
If you choose Potassium Chloride (KCl) as a regenerant, following these suggestions will help give you years of maintenance free service.

- 1) Place only one bag of KCl in your softener at a time (the salt storage tank should contain no more than 60 pounds of KCl at any one time).
- 2) A softener using KCl should not be placed in areas with temperature fluctuations and high humidity (KCl will harden in these environments and may make the softener inoperable).
- 3) Check the brine tank and brine well (black tube in salt storage tank) monthly. If hardening is present, pour small amounts of warm water on hardened areas until they loosen.
- 4) If your softener does not have a KCl salt setting you must increase your hardness setting by 25% to ensure continuous soft water as in example below.

Raw Water Hardness (grains per gallon)		Softener setting when using KCl
5 gpg		7 gpg
10 gpg		13 gpg
15 gpg		19 gpg
20 gpg	+ 25 % =	25 gpg
25 gpg		32 gpg
30 gpg		38 gpg
35 gpg		44 gpg
40 gpg		50 gpg

**WATER SOFTENING SALT WITH IRON REMOVING ADDITIVES** — Some salts have an additive to help the softener handle iron in the water supply. These salts may be used if your water supply has a high iron content. It is recommended to use Sears Resin Bed Cleaner 42-34426, for periodic treatments to keep your resin bed clean. This is available at your local Sears store.

FIG. 4



*Sodium information:* Water softeners using sodium chloride for regeneration add sodium to the water. Persons who are on sodium restricted diets should consider the added sodium as part of their overall sodium intake. For example, if your water supply is 15 grains hard, you would have to drink 3 quarts of softened water to consume 335 milligrams of sodium. That is equivalent to eating 2-1/2 slices of white bread.

Persons who are concerned about their drinking water should consider a Kenmore Drinking Water System that will remove or reduce in excess of 90% of the sodium and other drinking water contaminants.

## A. FACEPLATE TIMER FEATURES

## SECTION

## 2

## ► EXTRA RECHARGE

Sometimes, a manually started regeneration (recharge) may be desired, or needed. Two examples are:

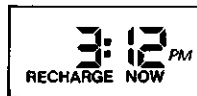
- You have used more water than usual (guests visiting) and you may run out of soft water before the next timer started regeneration.

- You did not refill the softener with salt before it was gone. After you refill with salt:

You can start a regeneration right away, or you can set the timer to regenerate at the next 2:00 AM (or other preset recharge time). Do the following.

## ► RECHARGE NOW

Press the RECHARGE button and *hold for 3 seconds*. RECHARGE NOW begins to flash in the display, and the softener enters the fill cycle of regeneration right away. This regeneration will last for about 2 hours. Then, you will have soft water again.



## ► RECHARGE TONIGHT

Press and release (*do not hold*) the RECHARGE button. RECHARGE TONIGHT flashes in the display, and the softener begins regeneration at the next preset recharge time. Press and release the RECHARGE button once more if you decide to cancel the regeneration, and RECHARGE TONIGHT.

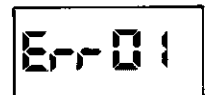


## ► PROGRAM MEMORY

If electrical power to the softener goes off, the time display is blank but the face plate timer keeps the correct time for about 6 hours. When electrical power comes on again, you have to reset the present time **only** if the display is flashing. The HARDNESS and RECHARGE TIME never require resetting unless a change is desired. Even if the timer is incorrect after a long power outage, the softener works as it should to keep your water soft. However, regenerations may occur at the wrong time of day until you reset the timer to the correct time of day.

## ► ERROR CODE

An error code could appear in the face plate display if a problem occurs in the softener electronics. If you see an error code instead of the present time of day, turn to page 5-2 under "Troubleshooting" to resolve the problem.



IF YOU NEED HELP PROGRAMMING THE TIMER, CALL TOLL FREE,  
NUMBER 1-800-426-9345.

**B. SOFT WATER SERVICE and REGENERATION**

**SERVICE**

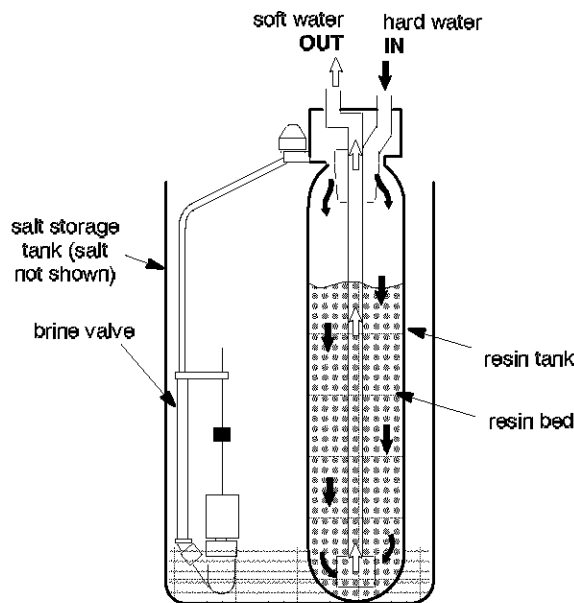
When the softener is giving you soft water, it is called "Service". During service, hard water comes from the house main water pipe into the softener. Inside the softener resin tank is a bed made up of thousands of tiny, plastic resin beads (FIG. 5). As hard water passes through the bed, each bead attracts and holds the hardness minerals. This is called ion-exchanging. Water without the hardness minerals (soft water) flows out of the softener and into the house soft water pipes. After a period of time, the resin beads hold all of the hardness minerals they can, and cleaning with salt brine is needed. This cleaning is called regeneration or recharge. Regeneration is started at 2:00 a.m. by the electronic timer (see page 2-5). It takes place in 5 stages or cycles. These are:

- |   |             |   |            |
|---|-------------|---|------------|
| 1 | FILL        | 4 | BACKWASH   |
| 2 | BRINING     | 5 | FAST RINSE |
| 3 | BRINE RINSE |   |            |

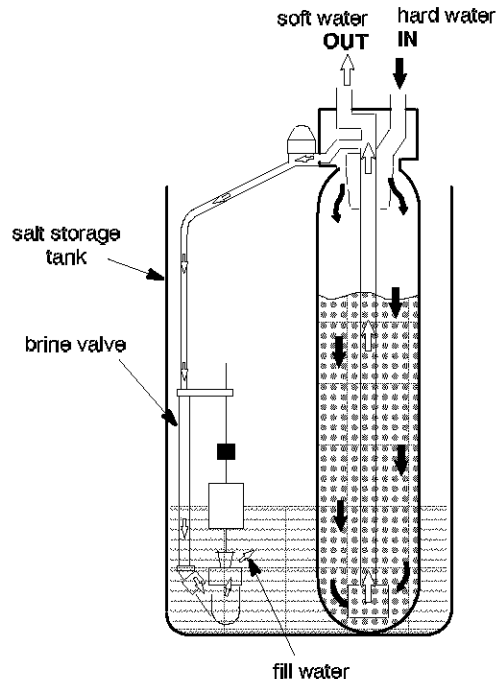
**REGENERATION**

**1** **FILL:** Salt, dissolved in water, is called brine. Brine is needed to clean the hardness minerals from the resin beads. To make the brine, water flows into the salt storage area during the fill stage as shown in FIG. 6. Fill cycle length depends on how much soft water making capacity you have used since the last regeneration. As you use more water, fill time increases so more brine is made. The greater amount of brine cleans more hardness minerals from the resin bed.

**FIG. 5** Water Flow Through the Softener in Service



**FIG. 6** Water Flow Through the Softener in Fill



**B. SOFT WATER SERVICE and REGENERATION**

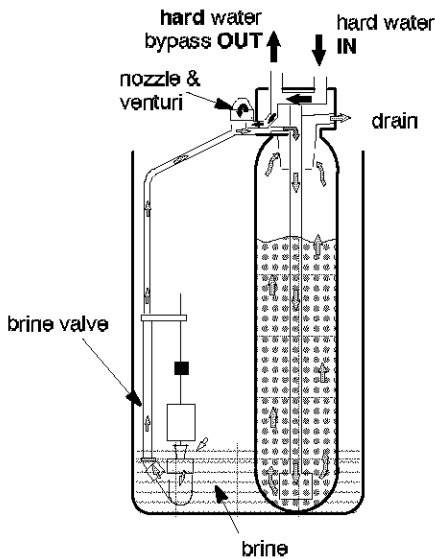
**2 BRINING:** During brining, the brine is moved from the salt storage area, into the resin tank. Inside the resin tank, brine cleans hardness minerals from the resin beads and they are discharged out the drain. How much brine is needed to clean the resin depends on:

- the amount of service water used between regenerations,
- the amount of resin in the softener,
- how fast the brine goes through the bed.

The nozzle and venturi (FIG. 7) make suction to take brine from the salt tank and put it into the resin tank. They keep the brine flow down to a very slow rate to get the best resin cleaning with the least salt.

**3 BRINE RINSE:** After all of the brine is moved into the resin tank, the brine valve closes. Water keeps flowing the same way it did during brining except the brine flow has stopped. Hardness minerals and brine flush from the resin tank to the drain. Brining and brine rinse together vary in the length of time they take, relative to the fill cycle length.

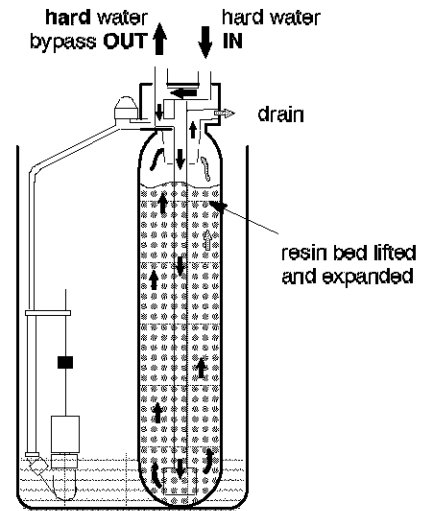
**FIG. 7** Water Flow Through the Softener in Brining and Brine Rinse



**4 BACKWASH:** During backwash, water flows UP through the resin tank (FIG. 8) at a fast rate to flush iron minerals, dirt and sediments from the bed

and to the drain. The bed lifts and expands for good cleaning.

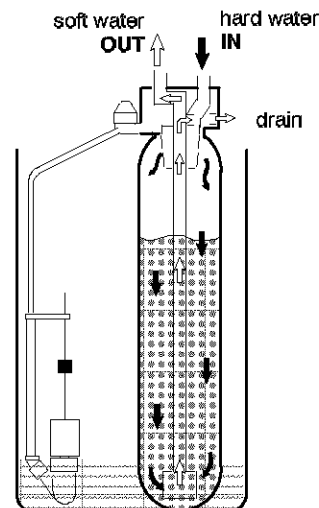
**FIG. 8** Water Flow Through the Softener in Backwash



**5 FAST RINSE:** Backwash is followed by a fast flow of water down through the resin tank. The fast flow packs the resin bed and gets it ready for return to service (FIG. 9).

After fast rinse, the softener returns to service. Hard water goes into the resin tank where the resin bed again takes out the hardness minerals. Soft water goes to the house soft water pipes.

**FIG. 9** Water Flow Through the Softener in Fast Rinse



## B. SOFT WATER SERVICE and REGENERATION

### AUTOMATIC BYPASS

During the brining, brine rinse and backwash cycles of regeneration, HARD water goes through the softener valve and to the house pipes. If a faucet is opened, hard water is there for your needs. However, you should not use **hot** water, if possible, because the water heater will refill with hard water. The softener, as factory programmed, regenerates from 2:00 AM to about 4:00 AM, a time when not much water is used.

If you start your day earlier in the morning (prior to 4:00 AM), you may want to change the recharge starting time. Set the recharge time to 12:00 AM or 1:00 AM (page 1-4). Then regeneration will start and end that much earlier and your water heater will not refill with hard water if a hot faucet is opened.

### ELECTRONICS

Two main parts of the softener's electronics are ❶ a WATER METER, and ❷ a COMPUTER.

❶ WATER METER — The water meter is in the softener valve outlet. As water flows through the meter, it sends electric pulses to the computer. The computer changes the pulses to a measure in gallons of water.

❷ COMPUTER — The computer is part of the faceplate timer circuit board. It is programmed to know the softener's capacity (how many grains of hardness minerals it will take out of the water before a regeneration is needed). When starting the softener, page 1-4, you set it for the grains per gallon (gpg) hardness of the water.

To find a regeneration pattern best for your needs, the computer uses: (1) water usage from the meter, (2) hardness setting, (3) softener capacity, and (4) time since the last regeneration. The computer always adjusts this pattern to your water using habits. It works toward providing you with soft water for the longest time and at the most efficient salt usage.

Softening capacity is used as hard water goes through the softener and hardness minerals are removed. When the computer determines that only enough capacity remains to provide soft water up to the next regeneration starting time (2:00 AM, or as otherwise set) it will schedule a regeneration. *RECHARGE TONIGHT* displays until the regeneration begins. When the regeneration begins, *RECHARGE TONIGHT* goes off and *RECHARGE NOW* flashes during the regeneration.

SECTION 3

**A. SALT: ADDING TO STORAGE TANK, SALT BRIDGE**

**WHEN TO ADD SALT:** Check the salt level a few weeks after you install the softener and every week after that. **Add salt to the storage tank when the salt height is reduced to about 1/4 full** (see note on page 1-6). **Never let the**

**softener use all the salt before adding. Without salt, you will soon have hard water.**

Note:

You will have a loss in softening capacity and may get partly hard water if less than 10 inches of salt is in the storage tank.

**PLEASE SEE PAGE 1-6 FOR DIRECTIONS ON ADDING SALT.**

**SALT BRIDGE**

Sometimes, a hard crust or salt bridge forms in the salt storage tank. It is usually caused by high humidity or the wrong kind of salt. When the salt bridges, an empty space forms between the water and salt. Then salt will not dissolve (melt) in the water to make brine. Without brine, the resin bed does not regenerate and you will have hard water.

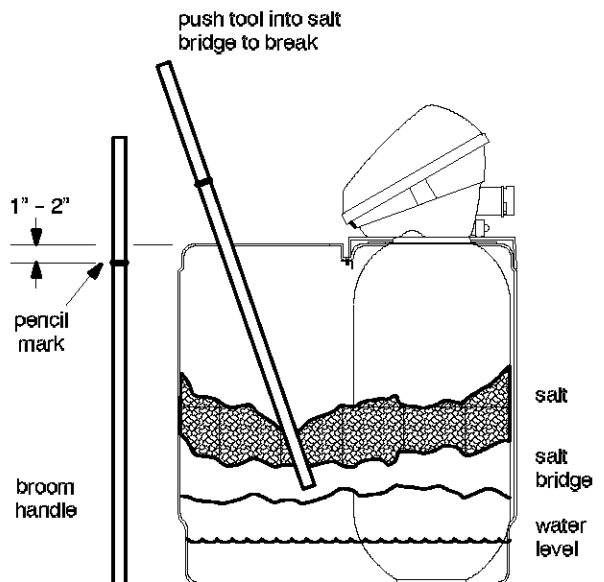
If the storage tank is full of salt, it is hard to tell if you have a salt bridge. Salt is loose on top, but the bridge is under it. The following is the best way to check for a salt bridge.

Salt should be loose all the way to the bottom of the tank. Hold a broom handle, or like tool, up to the softener as shown in FIG. 10. Make a pencil mark on the handle, 1" or 2" below the top height of the rim. Then, carefully push it straight down into the salt. If a hard object is felt before the pencil mark gets to the top of the tank, it's most likely a salt bridge. Carefully push into the bridge in a few places to break it. **Do not try to break the salt bridge by pounding on the outside of the salt tank. You may damage the tank.**

If the wrong kind of salt made the bridge, take it out. Then fill the tank with nugget or pellet salt only.

**FIG. 10**

**Salt Bridge**



## B. KEEPING THE WATER SOFTENER CLEAN

### NOZZLE & VENTURI

A clean nozzle and venturi (FIG. 11) is a must for the softener to work right. This small unit moves brine from the salt storage tank to the resin tank during regeneration. If it becomes plugged with sand, silt, dirt, etc., the softener will not work and you will get hard water.

To get to the nozzle and venturi, remove the softener top cover. Be sure the softener is in service cycle (no water pressure at nozzle and venturi).

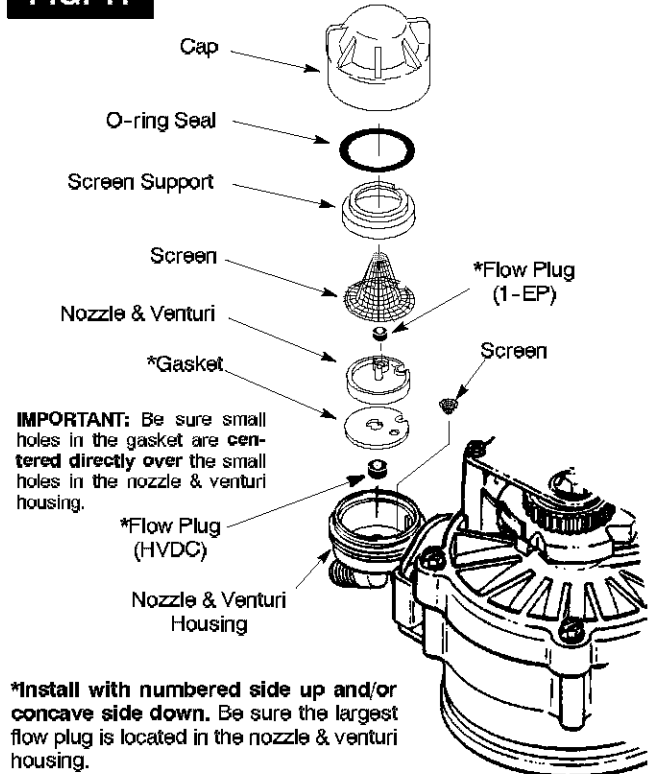
- 1) Turn off the cap from the nozzle and venturi housing.
- 2) Lift out the screen support and screen, *do not lose the large o-ring seal.*
- 3) Then the nozzle and venturi. Wash and rinse the parts in warm water until clean. If needed, use a small brush to remove iron or dirt. Also check and clean the gasket, flow plugs and screens.

Carefully replace all parts in the correct order. Lubricate the o-ring seal with silicone grease or Vaseline and place in position. Install and tighten the cap, **by hand only. Do not overtighten and break the cap or housing.**

### IRON FROM RESIN BED

Your water softener takes hardness minerals (calcium and magnesium) out of the water. Also, it can control some "clear water" iron. See maximum allowed in the specifications on page 4-1. With clear water iron, water from a faucet is clear when first put into a glass. After 15 to 30 minutes, the water begins to cloud or turn rust colored. A water softener WILL NOT remove any iron which makes the water cloudy or rusty as it comes from the faucet (called red water iron). To take red water iron out of water, or over the maximum of clear water iron, an iron fil-

**FIG. 11** Cleaning Nozzle & Venturi



ter or other equipment is needed. Your local Sears store has trained people to help you with iron water problems.

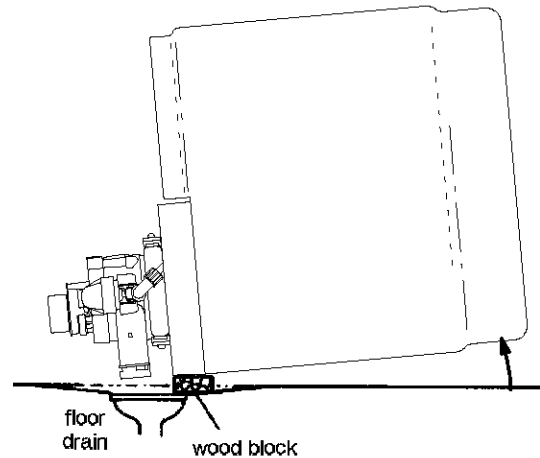
If your water supply has clear water iron, even though less than the maximum allowed, regular resin bed cleaning is needed. Your local Sears store has resin bed cleaner, Item No. 42-34426 for this. Clean the bed at least every 6 months. If iron shows up in the soft water before 6 months, clean more often. Printed instructions are on the resin bed cleaner bottle.

### C. PROTECT THE WATER SOFTENER FROM FREEZING

If the softener is installed where it could freeze (summer cabin, lake home, etc.), you must drain all water from it to stop possible freeze damage. To drain the softener:

1. Close the shut-off valve on the house main water pipe, near the water meter or pressure tank.
2. Open a faucet in the soft water pipes to vent pressure in the softener.
3. Refer to FIG. 14 on page 4-1. Move the stem in a single bypass valve to bypass. Close the inlet and outlet valve in a 3-valve bypass system, and open the bypass valve. If you want water in the house pipes again, reopen the shut-off valve on the main water pipe.
4. Unplug the transformer at the wall outlet. Remove the salt hole cover and the main cover. Take off both drain hoses.
5. Carefully remove the large holding clips at the softener inlet and outlet (see Key No. 66, on page 6-3). Separate the softener from the copper tubes, or from the bypass valve.
6. Remove the brinewell cover and disconnect the brine valve tubing at the nozzle and venturi assembly (see page 3-2). Lift the brine valve out of the brinewell. Tip the brine valve upside down to drain water.

**FIG. 12** Drain All Water From Softener





7. Looking at FIG. 12, lay a piece of 2 inch thick board near the floor drain. Move the softener close to the drain. SLOWLY and CAREFULLY, tip it over until the rim rests on the wood block with the inlet and outlet over the drain. **Do not allow the softener's weight to rest on the inlet and outlet fittings or they will break.**
8. Tip the bottom of the softener up a few inches and hold until all water has drained. Leave the softener laying like this until you are ready to use it. Plug the inlet and outlet with rags to keep dirt, bugs, etc. out.



**D. CHECKLIST ... TO HELP YOU SAVE MONEY**

If your water softener fails to work, make the following easy checks. Often, you will find what's wrong yourself and you won't have to call and wait for service. If you do not find anything wrong, while making the checks, and your softener still does not work, call Kenmore Water Line at 1-800-426-9345.

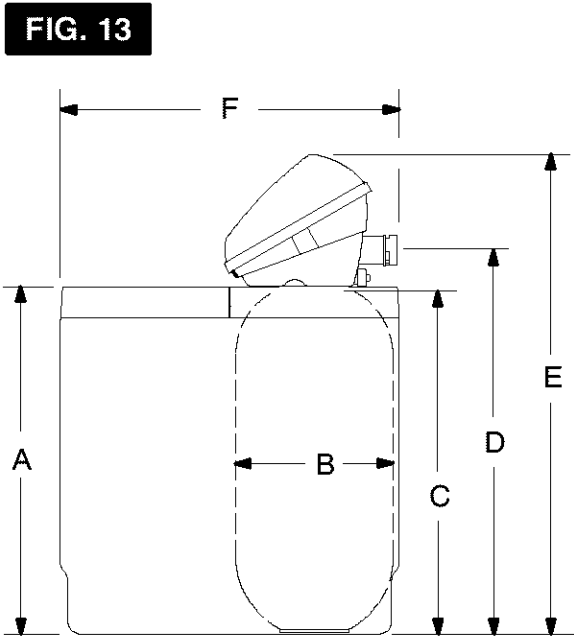
Note:

1. Also read ERROR CODE, page 2-1.
2. If an error code is **not** displayed, press and *hold* the SELECT button until the display changes. Then, press the SELECT button again and *hold* until a flashing SR code appears. It must show **SR17**. If any other number shows, the face plate computer is working on incorrect input and would probably be the cause of the problem. To set SR17, press either the UP  or DOWN  button. When the correct model code shows, press SELECT to return a flashing 12:00 AM display. *Reset the present time, hardness number, etc., pages 1-3 and 1-4.*

<b>PROBLEM</b>	<b>CAUSE</b>	<b>CORRECTION</b>
<b>No soft water</b>	No salt (or salt bridged) in the storage tank	Refill with salt, or break the salt bridge (page 3-1). Press ON/OFF-HOLD (RECHARGE NOW) button and hold for 3 seconds to start a regeneration (see page 2-1).
	Transformer unplugged at the wall outlet, or power cable leads loose from the electronic board, fuse blown, circuit breaker popped, or circuit switched off.	Check for loss of power due to any of these and correct. With the power back on, look at the time display and read PROGRAM MEMORY, page 2-1.
	Manual bypass valve(s) in bypass position	Look at FIG.14 on page 4-1. Move the stem in a single valve to service. In a 3-valve bypass, open the inlet and outlet valves, and be sure to fully close the bypass valve.
	Dirty, plugged or damaged nozzle & venturi	Take apart and clean or replace damaged parts (see page 3-2).
	Valve drain hose plugged	The drain hose must not have kinks, sharp bends, or be raised too high above the softener (see page 3-5 in your <i>installation manual</i> ).
<b>Water hard sometimes</b>	Hardness number setting too low	Press and release the SELECT button until HARDNESS shows in the display. Read the hardness number in the display and be sure the same grains per gallon number is shown on your water analysis report. See page 1-4 to reset. Press and release the SELECT button until the present time shows in the display. Incorrect SR code selected. See above.
	Using hot water when softener is regenerating	Avoid using hot water during this time because the water heater refills with hard water (see Automatic Bypass, page 2-4).
	Increase in the grains of hardness in your water supply	Ask your Sears retail store for a new water analysis. Then make a new hardness number setting (page 1-4).
<b>Brine tank flooded</b>	Restricted drain line	Check for kinks, bends or obstructions (see page 3-5 in your <i>installation manual</i> ).
	Plugged or dirty nozzle & venturi	Take apart and clean or replace damaged parts (see page 3-2).
	Valve-rotor disc & seals	Check for scratches or grooves, replace if needed.

**A. DIMENSIONS / SPECIFICATIONS**

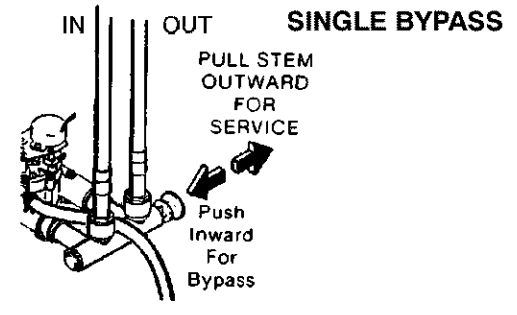
**SECTION 4**



		Inches	CM
A	Salt Tank Height	34-1/2	102.2
B	Resin Tank Diameter (nominal)	8	20.3
C	Resin Tank Height (nominal)	35	101.6
D	Inlet-Outlet Height	36-1/2	105.4
E	Overall Height	46	116.8
F <sup>1</sup>	Length	18	49.5
F <sup>2</sup>	Width	11-1/2	41.9
—	Distance between inlet-outlet center lines	3-3/8	8.6

**FIG. 14 BYPASS VALVES**

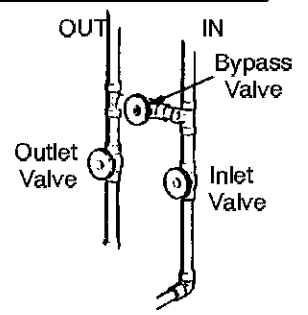
Bypass valve(s) should always remain in soft water service position. Position in "bypass" only if needed for softener repairs.



**3 - VALVE BYPASS**

**FOR SERVICE**  
close bypass valve  
open inlet & outlet valves

**FOR BYPASS**  
open bypass valve  
close inlet & outlet valves



**KENMORE C-20 TIMER SR CODE SR17**

Note: Please see the rating decal for operating capacity, salt usage and service flow rate/pressure loss performance specifications. Performance specifications NSF/ANSI 44 standard requirements. The rating decal is located on the rim, under the salt hole cover (see page A, inside front cover).

<b>WATER SUPPLY TO WATER SOFTENER</b>	
Minimum water system flow (gpm)-----	3
Minimum-Max. water pressure (psi)-----	20 - 125
Minimum-Max. water temperature (° F) -----	40 - 120
Maximum water hardness (gpg)-----	41
Maximum "clear water" iron (ppm) -----	5
<b>SALT FOR WATER SOFTENER</b>	
Type of salt needed -----	nugget or pellet
Alternate type of salt -----	pure, evaporated, compacted water softener salt

## SECTION 4 KNOW ABOUT YOUR WATER SOFTENER

### A. DIMENSIONS / SPECIFICATIONS

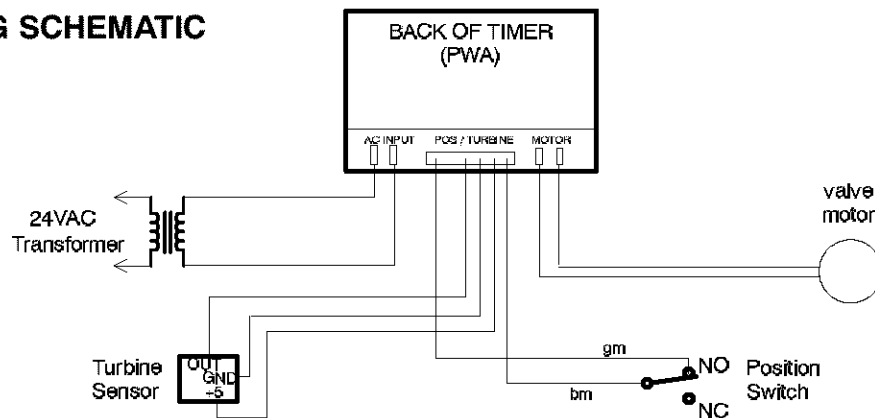
OTHER SPECIFICATIONS	
Type of ion exchange material (resin) -----	high capacity
Amount of resin (cu ft) -----	0.62
Total regeneration time -----	approximately 110 minutes @ 3.7 salt dose
Efficiency Rating -----	4940 @ 1.8 lb salt
Max. Drain Flow Rate (gpm) -----	0.9

gpm = gallons per minute    gpg = grains per gallon  
psi = pounds per square inch    ppm = parts per million

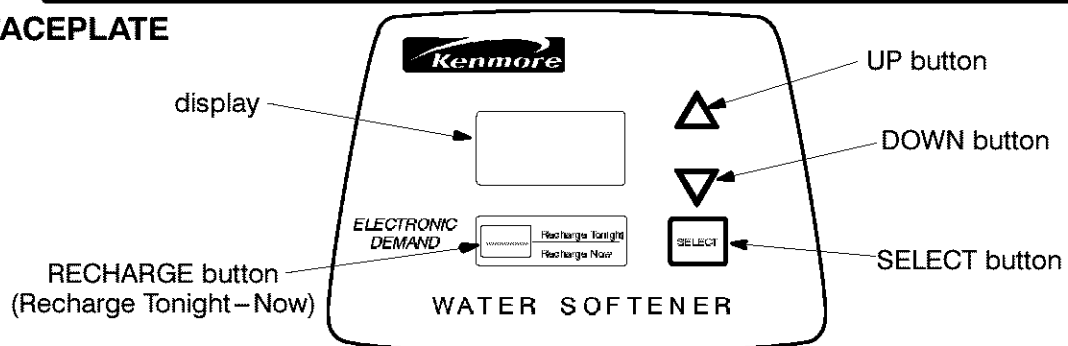
## A. TROUBLESHOOTING

## SECTION 5

## WIRING SCHEMATIC



## FACEPLATE



Keep this manual with your water softener. If repairs are needed, the service technician must have the information on the following 8 pages. For telephone assistance, call toll free, 1-800-426-9345.

## ALWAYS MAKE THESE INITIAL CHECKS FIRST

1. Does the time display show the correct time of day?
  - If display is blank, check power source to the softener.
  - If time is flashing, power was off for over 24 hours. The softener resumes normal operation but regenerations occur at the wrong time.
  - If an error code (Example: Err3) shows in the faceplate display, go to *AUTOMATIC ELECTRONIC DIAGNOSTICS*.
2. Plumbing bypass valve(s) must be **fully in service position**.
3. The inlet and outlet pipes must connect to the softener inlet and outlet respectively.
4. Is the transformer plugged into a "live", grounded wall outlet, and the power cable fastened securely to the controller?

5. The valve drain hose must be free of kinks and sharp bends, and not elevated over 8 ft. above the floor.

## Remove the top cover and salt tank cover.

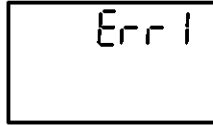
6. Is there salt in the storage tank?
7. Is the brine tubing connected? (See water flow diagrams).
8. Is the brine valve float set right? (See page 5-4).
9. Press the SELECT button 2 times to display the hardness setting. Be sure it is the correct setting for the household's water supply. (Make a hardness test of the raw water and compare with the hardness setting. Also test a soft water sample to verify if a problem exists.) Press the SELECT button twice more to return to present time in the display.

If you do not find the problem after making initial checks, do the *MANUAL INITIATED ELECTRONIC DIAGNOSTICS*, and the *MANUAL ADVANCE REGENERATION CHECK*.

## A. TROUBLESHOOTING

## AUTOMATIC ELECTRONIC DIAGNOSTICS

The faceplate timer (PWA) computer has a self-diagnostic function for the electrical system, except for input power and water meter. The computer monitors electronic components and circuits for correct operation. If a malfunction occurs, an error code appears in the faceplate display.



The chart below shows the error codes that could appear, and the possible defects for each code.

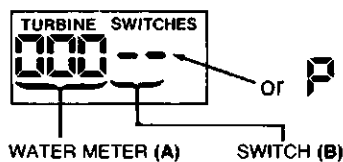
While an error code appears in the display, all faceplate buttons are inoperable except the SELECT button. SELECT remains operational so the service person can make the MANUAL INITIATED ELECTRONIC DIAGNOSTICS (below) to further isolate the defect, and check the water meter.

CODE	POSSIBLE DEFECT	
	MOST LIKELY ←	→ LESS LIKELY
Err1, Err3, Err4	motor inoperative / wiring harness or connection to switch / position switch / valve defect causing high torque	
Err5	faceplate timer (PWA)	

**PROCEDURE FOR REMOVING ERROR CODE FROM FACEPLATE:** 1. Unplug transformer from outlet 2. Correct defect 3. Plug in transformer 4. Wait for 6 minutes. The error code will return if the defect was not corrected.

## MANUAL INITIATED ELECTRONICS DIAGNOSTICS

- To enter diagnostics, press the SELECT button until 000 - - shows in the display.



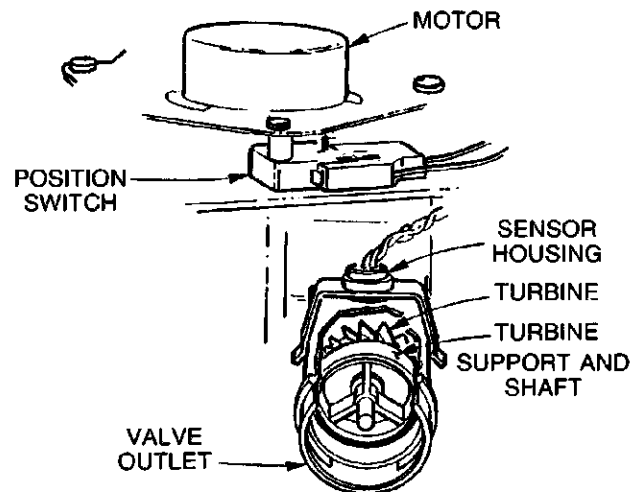
- A. The first 3 digits indicate water meter operation as follows:

000 (steady) = Soft water not in use, and no flow through the meter.

—OPEN A NEARBY SOFT WATER FAUCET—

000 to 199 (continual) = Repeats display for each gallon of water passing through the meter.

If you don't get a reading in the display, with faucet open, pull the sensor from the valve outlet port. Pass a small magnet back and forth in front of the sensor. You should get a reading in the display. If you get a reading, unhook the in and out plumbing and check the turbine for binding.



- B. The letter (P) and dash (or dashes) indicate POSITION switch operation. If the letter appears, the switch is closed. If the dash shows, the switch is open.

Use the RECHARGE button to manually advance the valve into each cycle and check correct switch operation.

## A. TROUBLESHOOTING

CORRECT SWITCH DISPLAYS	VALVE CYCLE STATUS
--	Valve in service, fill, brining, backwash or fast rinse position
- P	Valve rotating from one position to another

C. While in this diagnostic screen, the following information is available and may be beneficial for various reasons. This information is retained by the computer from the first time electrical power is applied to the face plate.

-- Press  to display the number of days this face plate has had electrical power applied.

-- Press  to display the number of regenerations initiated by this face plate since the SR code number was entered.

2. Press and hold the SELECT button until...

SR17 shows.



This code identifies the softener nominal capacity size. If the wrong number shows, the softener will operate on incorrect programming. Do the following as needed.

**Return the present time display** — Press the SELECT button.

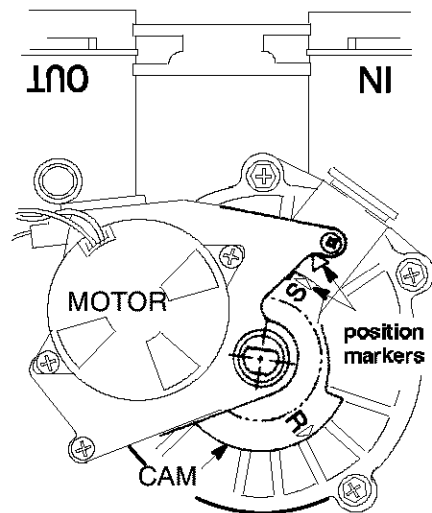
**To change SR number** — Press the UP or DOWN button until the correct SR code shows. Then, press the SELECT button and reset the timer...page 1-3.

**TIMER PWA REPLACEMENT:** Be sure the valve is in service position when replacing the timer PWA (observe valve cycle indicator).

If, after installing and programming the replacement timer PWA, the valve is not in service position, do the following to assure correct cycle orientation, or timing, between the faceplate and valve.

Use the MANUAL ADVANCE procedures, page 5-4. With the RECHARGE button, advance through the recharge cycles until the valve stops in service position, and RECHARGE no longer flashes in the display.

NOTE: The valve motor may automatically drive through several valve positions while searching for service. If an error code occurs, unplug the transformer, then plug in again.



## A. TROUBLESHOOTING

## MANUAL ADVANCE REGENERATION CHECK

This check verifies proper operation of the valve motor, brine tank fill, brine draw, regeneration flow rates, and other controller functions. **Always make the initial checks, and the manual initiated diagnostics.**

## Notes:

The faceplate display must show a steady time (not flashing). If an error code shows, first press the SELECT button to enter the diagnostic display.

1. Press the RECHARGE button and hold in for 3 seconds. RECHARGE begins to flash as the softener enters the fill cycle of regeneration. Remove the brinewell cover and, using a flashlight, observe fill water entering the tank.

a. If water **does not** enter the tank, look for an obstructed nozzle, venturi, fill flow plug, brine tubing, or brine valve riser pipe.

## CYCLE FLOW RATES (GALLONS PER MIN.)

FILL (flow to salt storage tank)	0.3 (1.1 liters)	
BRINING	.15 (.57 liters)	
BRINE RINSE	} (flow to drain)	
MAX. BACKWASH		.9 (3.4 liters)
MAX. FAST RINSE		.9 (3.4 liters)

2. After observing fill, press the RECHARGE button to move the softener into brining. A slow flow of water to the drain will begin. Verify brine draw from the brine tank by shining a flashlight into the brinewell and observing a noticeable drop in the liquid level.

## Note:

Be sure a salt bridge is not preventing water with salt contact.

- a. If the softener does not draw brine...
- ...nozzle and/or venturi dirty or defective.
  - ...nozzle and venturi not seated properly on gasket.
  - ...restricted drain (check drain fitting and hose).
  - ...defective nozzle and venturi seal.
  - ...other inner valve defect (rotor seal, rotor & disc, wave washer, etc.).

## Note:

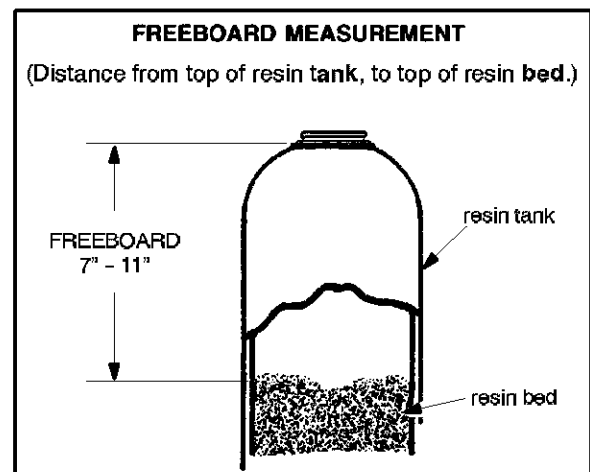
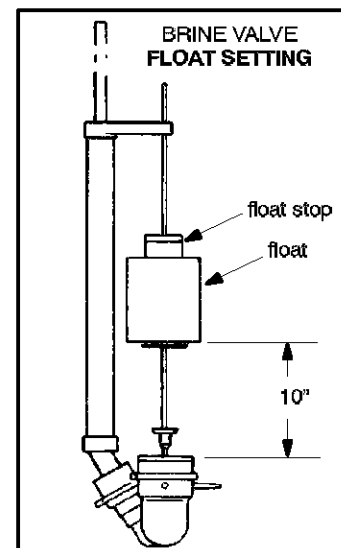
If water system pressure is low, an elevated drain hose may cause back pressure, stopping brine draw.

3. Again press RECHARGE to move the softener into backwash. Look for a fast flow of water from the drain hose.

a. An obstructed flow indicates a plugged top distributor, backwash flow plug, or drain hose.

4. Press RECHARGE to move the softener into fast rinse. Again look for a fast drain flow. Allow the softener to rinse for a few minutes to flush out any brine that may remain in the resin tank from the brining cycle test.

5. To return the softener to service, press RECHARGE.



## B. ROTARY VALVE SERVICE

Before working on the valve, **turn off the water supply** and **disconnect from electrical power**. **TO RELIEVE PRESSURE:**

- **3 VALVE BYPASS:** Close the inlet valve and open a soft water faucet. Then close the outlet valve and open the bypass valve.
- **SEARS SPECIAL BYPASS:** Slide the bypass valve stem to bypass position. *Loosen* 3 hex head screws toward the back side of the valve to allow pressure water to bleed out. Catch water with a rag.

### DISASSEMBLY

To remove a part or group of parts, refer to the valve drawing. A common screwdriver or nut driver, Phillips screwdriver and pliers are the only tools needed to completely disassemble.

### SERVICING THE VALVE

Inspect all o-rings, seals and gaskets for wear or defects.

Inspect the bottom surface of the rotor for scratches, chips or wear.

Note:

If replacement is needed, be sure to use the current replacement part.

### ASSEMBLY

Be sure all parts are in place and in the proper position. Lubricate ALL o-rings and seals with FDA approved silicone grease. To install the rotor seal, first place the seal into the valve groove, rounded side down (see cross-section). Apply a light coating of silicone grease to the seal's crossing ribs. Then, carefully center the wear strip on the seal, and push it downward onto the seal.

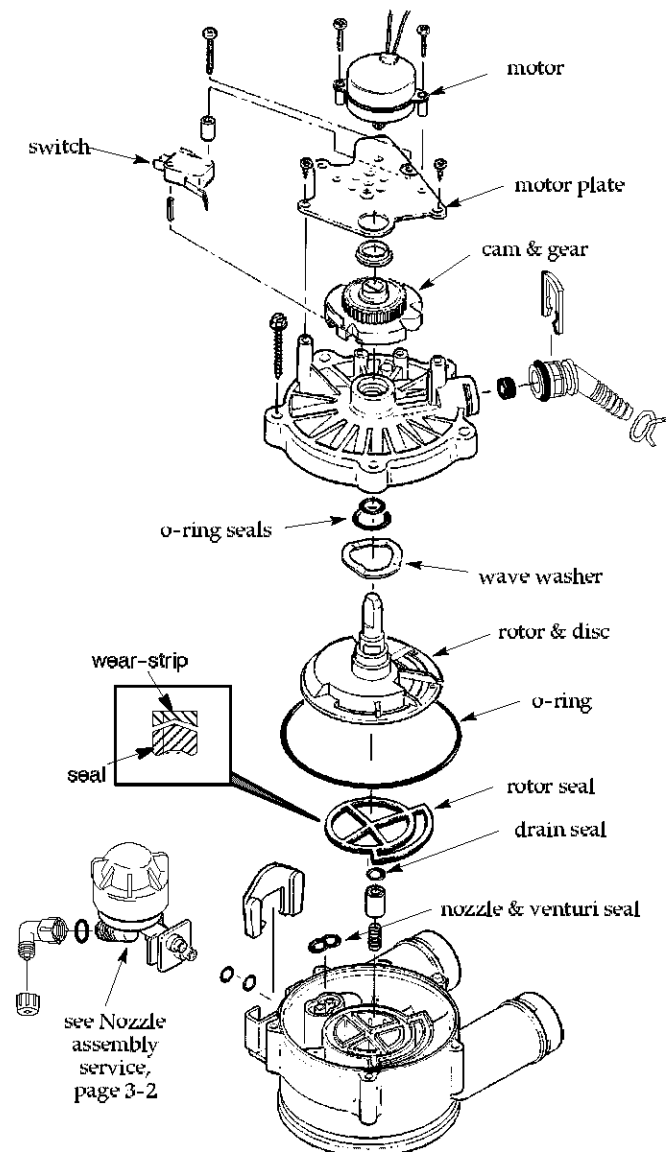
Install the nozzle and venturi seal and drain seal. Assemble wave washer bearing, the wave washer, and two o-rings onto the rotor top shaft. Then center the rotor in the valve body, on the rotor seal.

Lower the cover onto the valve body and rotor shaft. Then install the cover holding screws. **Before tightening the screws**, install the valve cam and gear. Then, turn the rotor (clockwise only) to service posi-

tion. Tighten the screws using a criss-cross pattern. If a torque wrench is available, torque to 30-40 inch pounds.

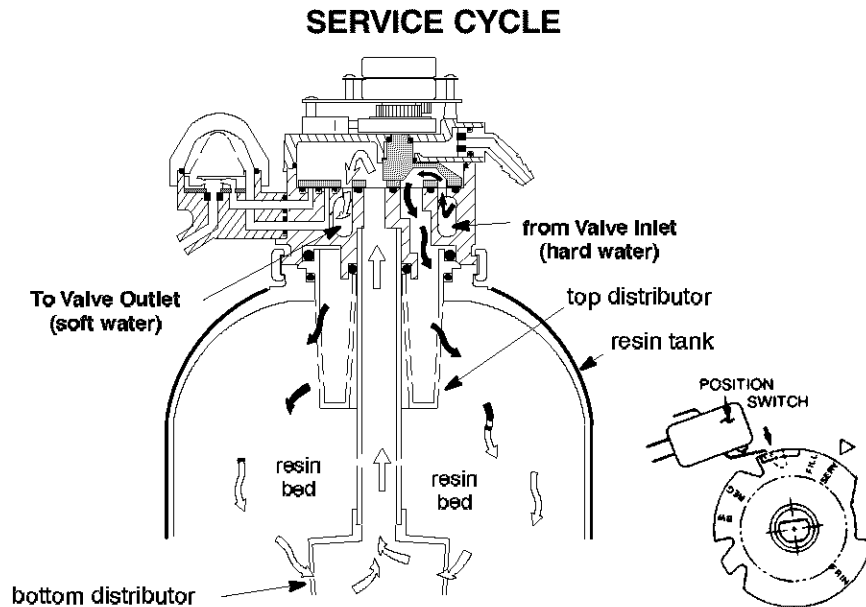
Lubricate the gear on the motor, and the valve cam gear with Molykote grease, or other high quality gear lubricant.

Be sure to orient switch as shown, with lever toward the cam.

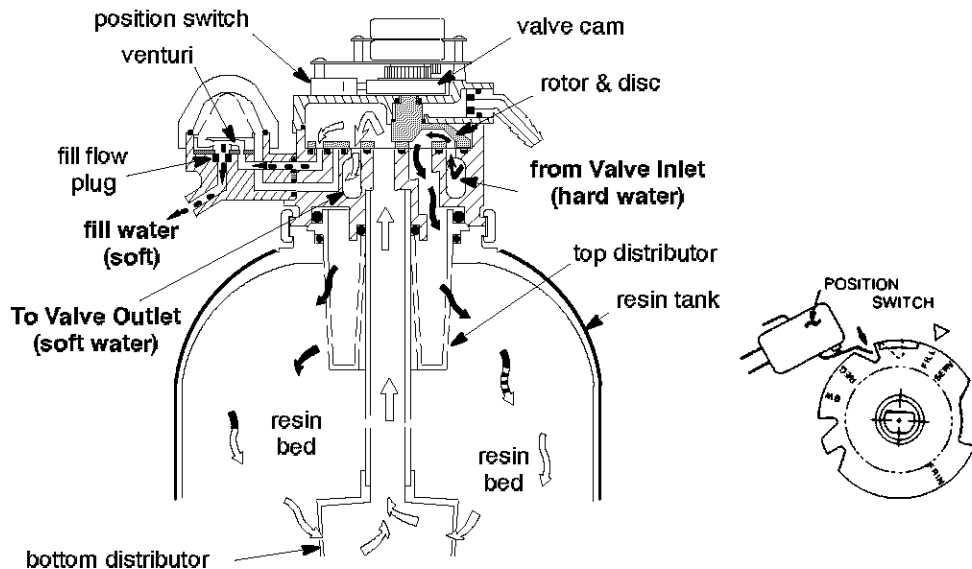




## C. WATER FLOW THROUGH THE SOFTENER VALVE



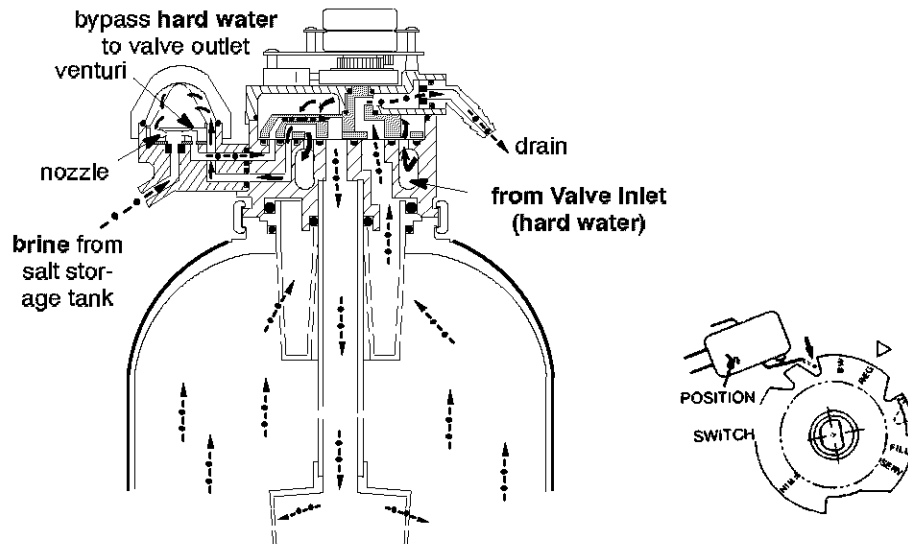
Hard water enters the valve inlet port. Internal valve porting routes the water down and out the top distributor, into the resin tank. Hard water is softened as it passes through the resin bed, then enters the bottom distributor. Soft water flows back into the valve and out the valve outlet, to the house soft water pipes.

**FILL CYCLE**

To begin a regeneration, the electronic timer energizes the circuit to the valve motor. The valve motor rotates the rotor and disc and the valve cam until the position switch lever drops, to open the motor circuit and position the valve in FILL. As the rotor and disc rotates, the port opens for SOFT water fill through the venturi. Fill flow continues to the brine valve, and into the salt storage tank. Soft water is still available to the house lines.

## C. WATER FLOW THROUGH THE SOFTENER VALVE

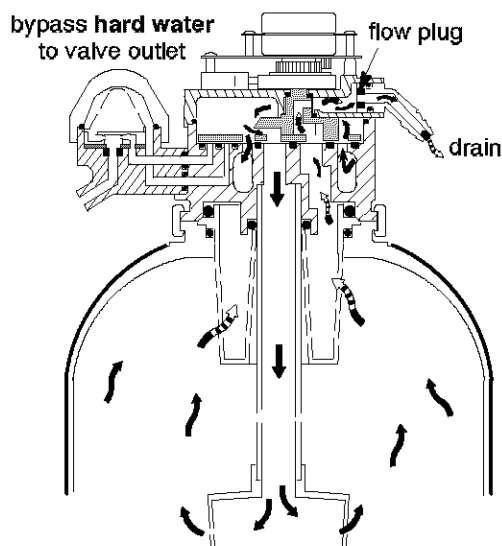
## BRINING AND BRINE RINSE CYCLES



After fill, timer/switch action allows the motor to turn the rotor and disc into BRINING position. Water flow is directed to the nozzle. Suction, created by the nozzle and venturi, draws brine from the salt storage tank and injects it into the resin bed via the bottom distributor. Flow continues out the top distributor and to the drain. Hard water is available at the valve outlet.

When the brine valve closes to end brine draw, water flow continues in the same directions to slowly RINSE brine from the resin bed and to the drain.

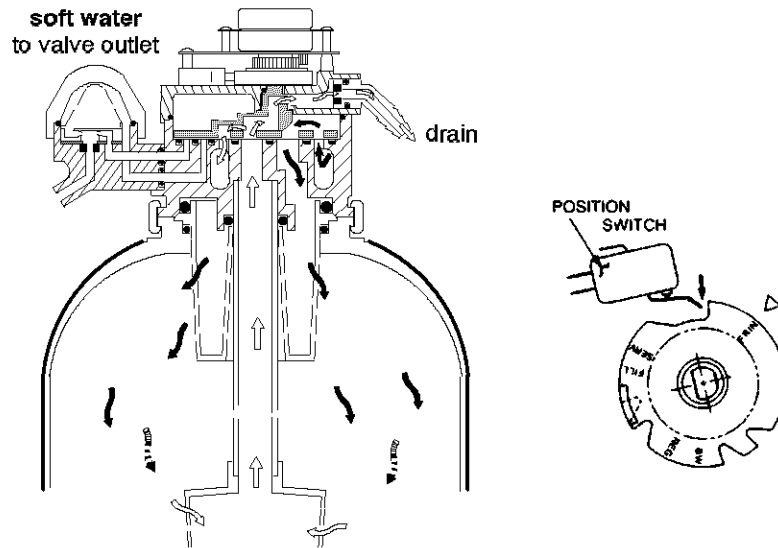
## BACKWASH CYCLE



Timer/switch action again allows the motor to turn the rotor & disc to place the valve in BACKWASH, stopping water flow to the nozzle. Water is routed down and out the bottom distributor, up through the bed, and out the top distributor to the drain. The fast flow (controlled by a flow plug in the drain fitting) flushes dirt, sediments, iron deposits, remaining brine and hardness to the drain.

## C. WATER FLOW THROUGH THE SOFTENER VALVE

## FAST RINSE CYCLE



During FAST RINSE, the rotor & disc is positioned so water flow enters the resin tank through the top distributor, and exits through the bottom distributor, to the drain.

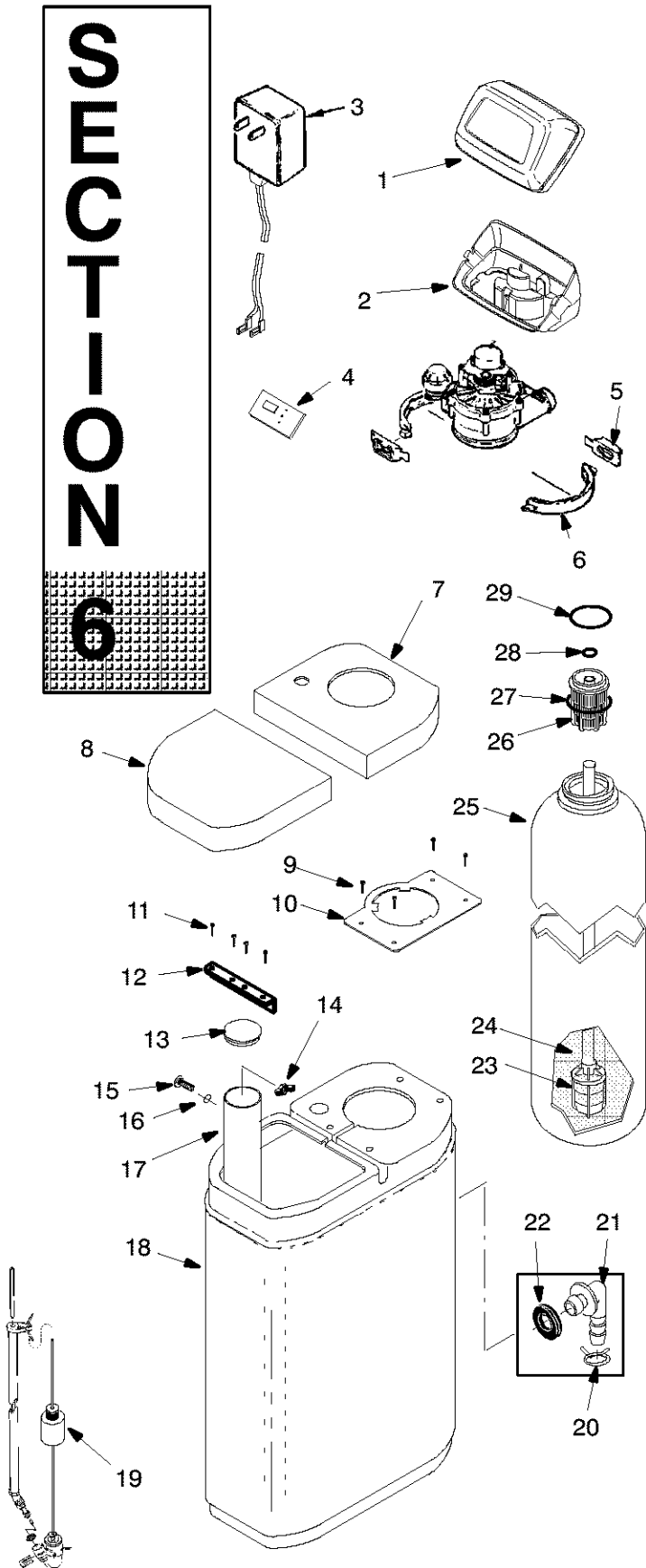
The electronic timer again energizes the motor to return the valve to *service*. As the valve rotates, the position switch lever drops to open the circuit. The valve remains positioned in service until the electronic timer initiates the next regeneration.

# SECTION 6 REPAIR PARTS FOR WATER SOFTENER

## Kenmore MODEL NO. 625.388110

### A. WATER SOFTENER COMPLETE

SECTION  
6



KEY NO.	PART NUMBER	DESCRIPTION
1	7180291	Faceplate Cover (order following decal)
-	7267093	Faceplate Decal
2	7230559	Bottom Cover
3	7252373	Transformer, 24V-10VA ●
4	7246356	Timer Repl. (PWA)
5	7088033	Clamp Retainer (2 req.)
6	7176292	Clamp Section (2 req.)
7	7230541	Resin Tank Cover
8	7201398	Salt Hole Cover
9	7212682	Screw (7 req'd)
10	7138066	Tank Constraint
11	7127463	Screw (4 req'd)
12	7236474	Bracket
13	500283	Brinewell Cover
14	7082150	Wing Nut, 1/4 - 20
15	7148875	Screw
16	7003847	O-Ring
17	7109871	Brinewell
18	7238743	Replacement Brine Tank
19	7116488	Brine Valve Assembly (also see page 6-2)
20	900431	Hose Clamp ●
21	1103200	Hose Adaptor ●
22	9003500	Grommet ●
23	7105047	Replacement Bottom Distributor
24	502272	Resin
25	7114787	Resin Tank, 8 x 35
26	7077870	Top Distributor
27	7133503	O-Ring, 2-3/4" x 3"
28	7133480	O-Ring, 13/16" x 1-1/16"
29	7133529	O-Ring, 2-7/8" x 3-1/4"
◆	3442699	Resin Bed Cleaner
◆	7144821	Parts Bag, (includes parts marked with a ●, pages 6-1, 6-2 & 6-4) — order manuals separately, if needed.
◆	7267336	Installation Manual
◆	7267328	Owners Manual

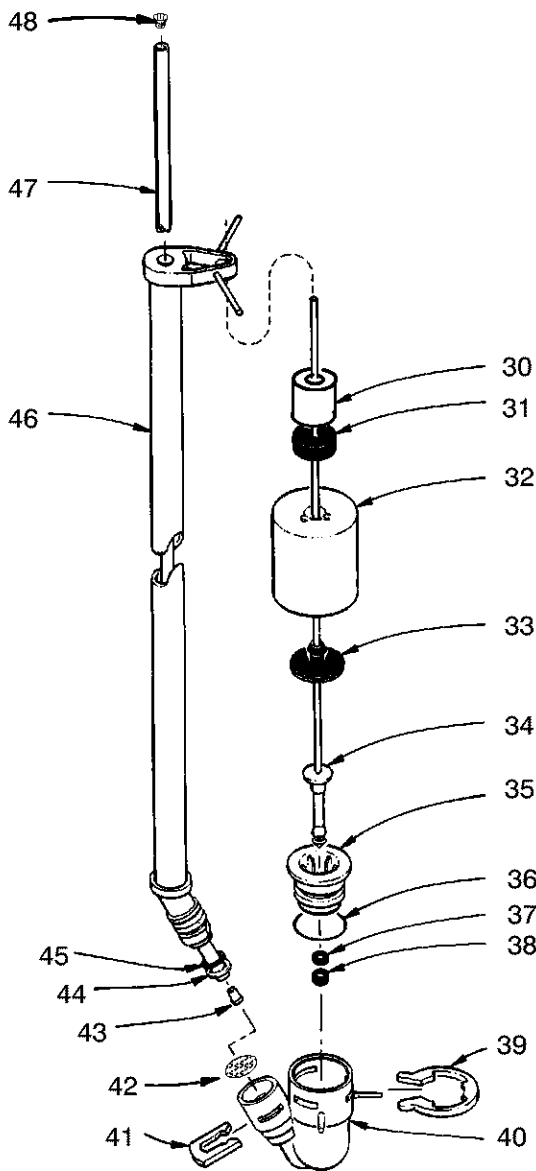
◆ not illustrated

● included in parts bag

# SECTION 6 REPAIR PARTS FOR WATER SOFTENER

Kenmore MODEL NOS. NO. 625.388110

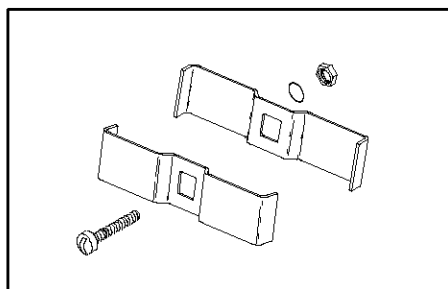
## B. BRINE VALVE ASSEMBLY



KEY NO.	PART NUMBER	DESCRIPTION
30	7168647	Ceramic Weight
31	0513860	Float Stop
32	7097202	Float (includes Key No. 31)
33	0516947	Float Seal
34	7093216	Float Rod & Stem
35	7092278	Guide Cap
36	7170288	O-Ring 15/16 x 1-3/16
37	0516211	Seal
38	0516924	Retainer, Bottom Seal
39	7116713	Clip
40	7092252	Brine Valve Body
41	7080653	Clip
42	7131365	Screen
43	7094979	Insert
44	7092294	Retaining Ring
45	7176161	O-Ring, 5/16 x 9/16
46	7095470	Brine Tube
47	7113016	Tubing Asm. (includes Key Nos. 43, 44 & 45)
48	7171349	Cone Screen
49	7248706	Grounding Clamp Kit ●

● included in parts bag, see page 6-1.

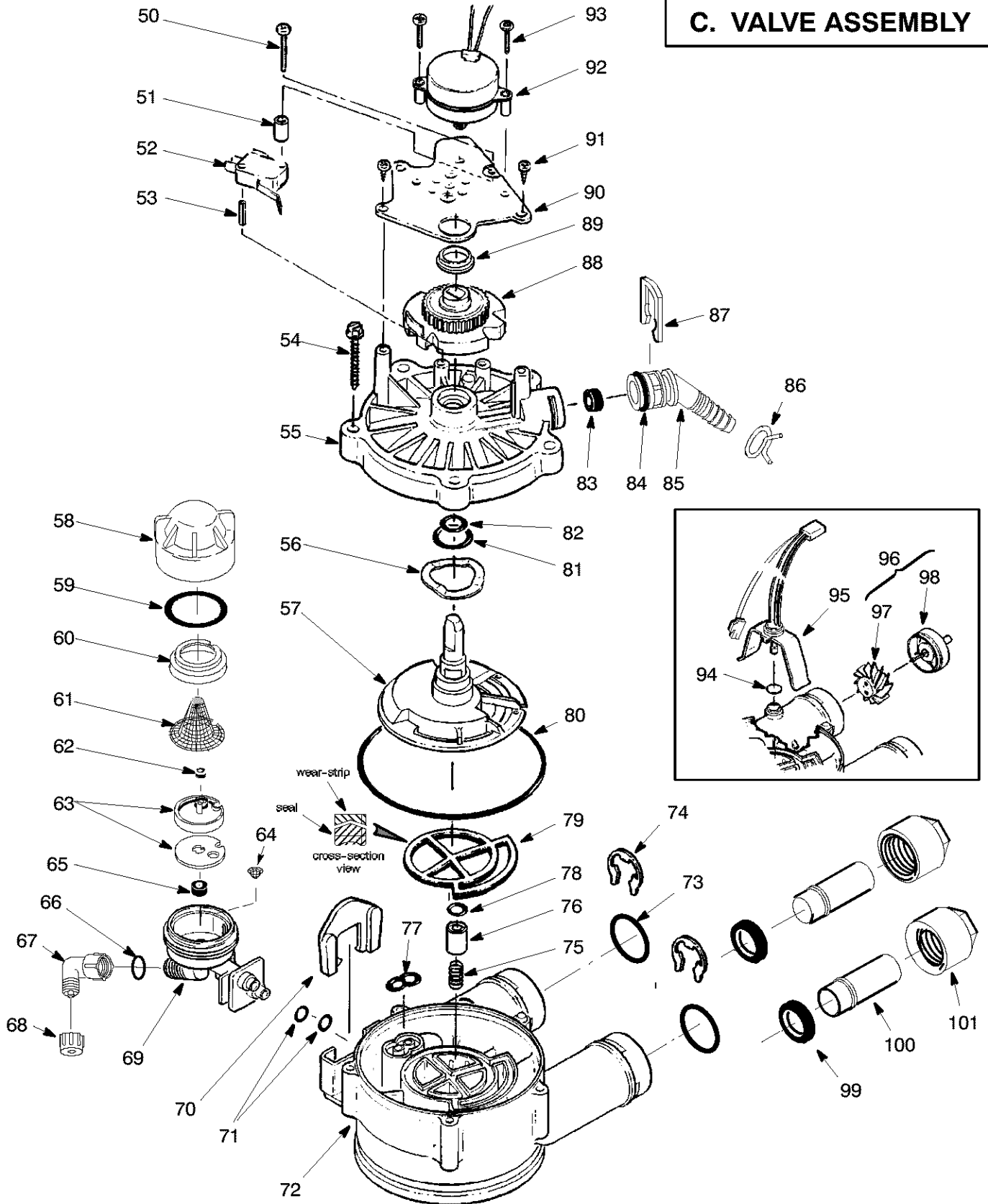
### INLET - OUTLET GROUNDING CLAMPS



49

# SECTION 6 REPAIR PARTS FOR WATER SOFTENER

## C. VALVE ASSEMBLY



# SECTION 6 REPAIR PARTS FOR WATER SOFTENER

## Kenmore MODEL NO. 625.38810

### C. VALVE ASSEMBLY

KEY NO.	PART NUMBER	DESCRIPTION
50	7070412	Screw, #4 – 24 x 1–1/8"
51	7117816	Spacer
52	7030713	Switch
53	7077472	Expansion Pin
54	7074123	Screw, #10 14 x 2" (5 req'd)
55	7085263	Valve Cover
56	7082087	Wave Washer
57	7199232	Rotor & Disc
58	7199729	Cap
59	7170262	O–Ring, 1.1" x 1.4"
60	7167659	Screen Support
61	7146043	Screen
62	0521829	Flow Plug
63	7237721	Nozzle & Venturi, with Gasket
64	7095030	Cone – Screen
65	1148800	Fill Flow Plug
66	7003847	O–Ring, 1/4" x 1/2"
67	7120526	Elbow
68	1202600	Nut–Ferrule
69	7187065	Nozzle & Venturi Assembly
70	7081201	Retainer
71	7170319	O–Ring, 1/4" x 3/8" (2 req'd)
72	7082053	Valve Body
73	7133498	O–Ring, 15/16" x 1–3/16" (2 req'd)
74	7116713	Clip (2)
75	7129889	Spring
76	7092642	Plug (Drain Seal)

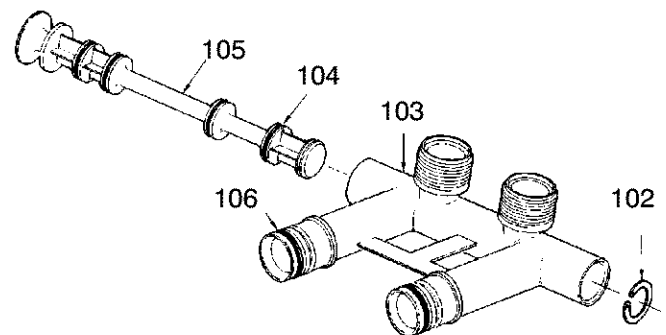
KEY NO.	PART NUMBER	DESCRIPTION
77	7081764	Seal (Nozzle & Venturi)
78	7133456	O–ring, 3/8" x 9/16"
79	7123639	Rotor Seal
–	7126433	Wear Strip
80	7133511	O–ring, 3–3/8" x 3–5/8"
81	7133472	O–ring, 3/4" x 15/16"
82	7133464	O–ring, 7/16" x 5/8"
83	0501226	Flow Plug, Bkw. and F. Rinse
84	7024160	Drain Hose Adaptor
85	7170327	O–ring, 5/8" x 13/16"
86	0900431	Hose Clamp
87	7142942	Clip
88	7113927	Cam and Gear
89	0503288	Bearing
90	7117808	Motor Plate
91	0900857	Screw, #6 – 20 x 3/8" (2 req'd)
92	7186263	Motor – Includes Key No. 93
93	7131755	Screw, #6 – 20 x 7/8" (2 req'd)
94	0900060	O–Ring
95	7248714	Sensor Housing
96	7147243	Turbine and Support Assembly
97	–	Turbine
98	–	Turbine Support
99	7170335	Washer (2 req'd) ●
100	507615	Copper Tube (2 req'd) ●
101	507369	Installation Nut (2 req'd) ●
◆	7129716	Seal Kit (Includes Key Nos. 77, 78, 79, 80, 81 & 82)

◆ not illustrated

● included in parts bag, see page 6–1.

### BYPASS INSTALLATION VALVE

KEY NO.	PART NUMBER	DESCRIPTION
102	0502206	Retainer Ring
103	7129863	Bypass Body
104	7105013	O-Ring, 13/16 x 1 (4 req.)
105	7130911	Stem
106	7170288	O-Ring, 15/16 x 1-3/16 (2 req.)
◆	7129871	Bypass Valve (Complete) ●



# OWNER'S MANUAL

MODEL NO.

**Kenmore C-20**  
**625.388110**

The model number of your water softener is found on the rating decal. This decal is on the rim, under the salt cover.

When requesting service or ordering parts, always provide the following information:

- ◆ Product Type
- ◆ Model Number
- ◆ Part Number
- ◆ Part Description

[www.KenmoreWater.com](http://www.KenmoreWater.com)



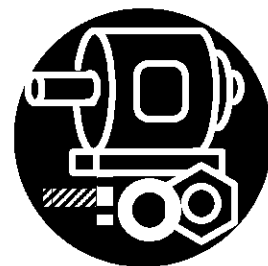
## Water Softeners

For the repair or replacement parts you need delivered directly to your home

Call 7 am - 7 pm, 7 days a week

**1 - 800 - 366 - PART**

(1 - 800 - 366 - 7278)



For in-home major brand repair service

Call 24 hours a day, 7 days a week

**1 - 800 - 4 - REPAIR**

(1 - 800 - 473 - 7247)



For the location of a  
Sears Parts and Repair Center in your area

Call 24 hours a day, 7 days a week

**1 - 800 - 488 - 1222**



For information on purchasing a Sears  
Maintenance Agreement, or to inquire  
about an existing Agreement

Call 9 am - 5 pm, Monday - Saturday

**1 - 800 - 827 - 6655**



**SEARS**  
**REPAIR SERVICES**

*America's Repair Specialists*

**Sears, Roebuck and Co., Hoffman Estates, IL 60179 U.S.A.**



## Free Manuals Download Website

<http://myh66.com>

<http://usermanuals.us>

<http://www.somanuals.com>

<http://www.4manuals.cc>

<http://www.manual-lib.com>

<http://www.404manual.com>

<http://www.luxmanual.com>

<http://aubethermostatmanual.com>

Golf course search by state

<http://golfingnear.com>

Email search by domain

<http://emailbydomain.com>

Auto manuals search

<http://auto.somanuals.com>

TV manuals search

<http://tv.somanuals.com>