

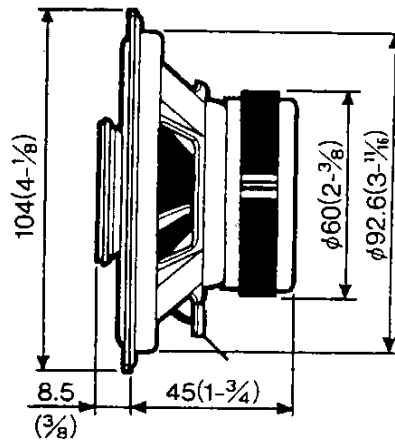
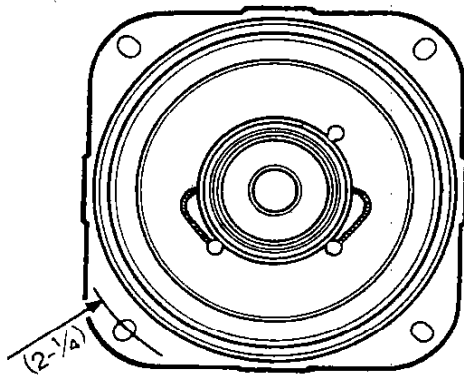
# KFC-1023C

## SERVICE MANUAL

# KENWOOD

©1990-10 PRINTED IN JAPAN  
B51-6246-00(B)1397

### EXTERNAL VIEW



UNIT: mm (inch)

400  
COPY

### SPECIFICATIOIS

#### Speakers

- Woofer ..... 10cm(4in) Water proof treatment  
Cone type 101g(3.6oz) Magnet
- Tweeter ..... 4cm(1-9/16in) cone type
- Peak power ..... 50Watts
- Frequency Response ..... 60Hz~21,000Hz
- Sensitivity ..... 90dB/W at 1m
- Impedance ..... 4 Ohms
- Weight per speaker ..... 0.37Kg(13.1oz)/pc

We follow a policy of advancements in development.  
this reason specifications may be changed without notice.

### PARTS LIST

\* New parts

Parts without **Parts No.** are not supplied.  
Les articles non mentionnés dans le **Parts No.**  
ne sont pas fournis.  
Teile ohne **Parts No.** werden nicht geliefert.

Ref No.	New Parts	Parts No.	Description
		B46-0100-20	WARRANTY CARD
		E30-5059-08	CORD SET
		N99-1088-08	SCREW SET
	*	T15-0179-08	SPEAKER

## Free Manuals Download Website

<http://myh66.com>

<http://usermanuals.us>

<http://www.somanuals.com>

<http://www.4manuals.cc>

<http://www.manual-lib.com>

<http://www.404manual.com>

<http://www.luxmanual.com>

<http://aubethermostatmanual.com>

Golf course search by state

<http://golfingnear.com>

Email search by domain

<http://emailbydomain.com>

Auto manuals search

<http://auto.somanuals.com>

TV manuals search

<http://tv.somanuals.com>