

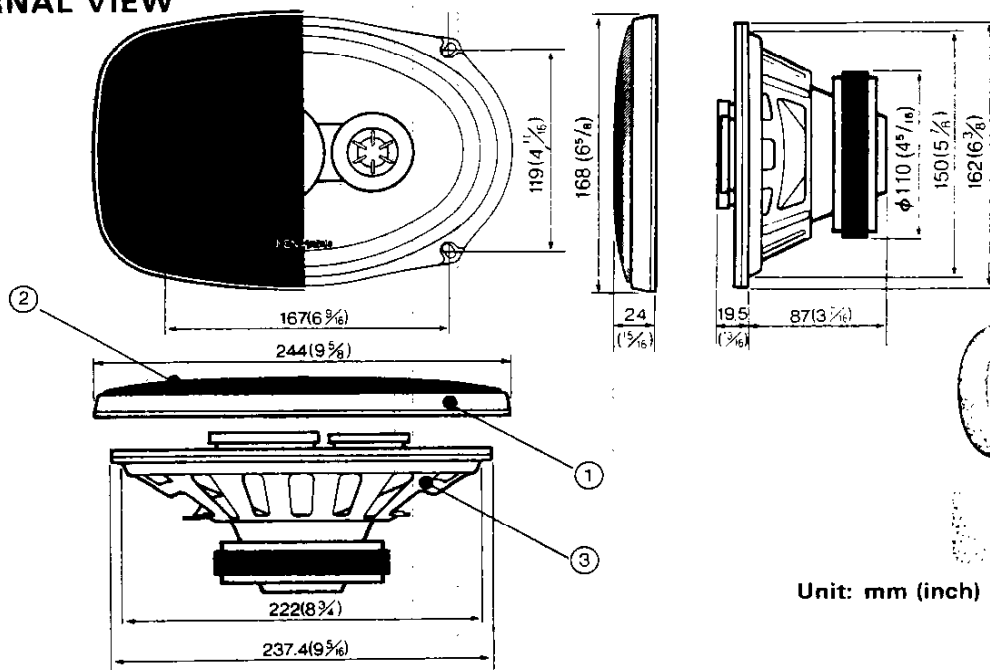
KFC-6991

SERVICE MANUAL

KENWOOD

© 1988-1 PRINTED IN JAPAN
B51-3411-10 (G) 1107

EXTERNAL VIEW



Q.C.
COPY

Unit: mm (inch)

PARTS INCLUDED

- (M4-70mm) × 8
- × 8
- M4 × 8
- φ4 × 8
- M4 × 8
- × 2
- (φ4-40) × 8
- 5m(16.4ft) × 2

SPECIFICATIONS

- Speakers
- Woofers..... 6 × 9in cone type, 20oz magnet
 - Mid-Range..... 1in dome type, 3.0oz magnet
 - Tweeter..... 5/8in dome type, 1.3oz magnet
 - Peak input power..... 200 Watts
 - Sensitivity..... 92dB/W at 1m
 - Impedance..... 4 ohms
 - Weight per speaker with grille..... 2.4kg (5.3lb)/pc

We follow a policy of advancements in development. For this reason specifications may be changed without notice.

PARTS LIST

★ New parts
Parts without **Parts No.** are not supplied.
Les articles non mentionnes dans le **Parts No.** ne sont pas fournis.
Teile ohne **Parts No.** werden nicht geliefert.

Ref No.	New Parts	Parts No.	Description
①		B06-0273-08	FRAME
		E30-1457-08	SPEAKER CORD
②		F09-0841-08	SCREEN
		N99-0218-08	SCREW SET
③	★	T15-0103-08	SPEAKER

Free Manuals Download Website

<http://myh66.com>

<http://usermanuals.us>

<http://www.somanuals.com>

<http://www.4manuals.cc>

<http://www.manual-lib.com>

<http://www.404manual.com>

<http://www.luxmanual.com>

<http://aubethermostatmanual.com>

Golf course search by state

<http://golfingnear.com>

Email search by domain

<http://emailbydomain.com>

Auto manuals search

<http://auto.somanuals.com>

TV manuals search

<http://tv.somanuals.com>