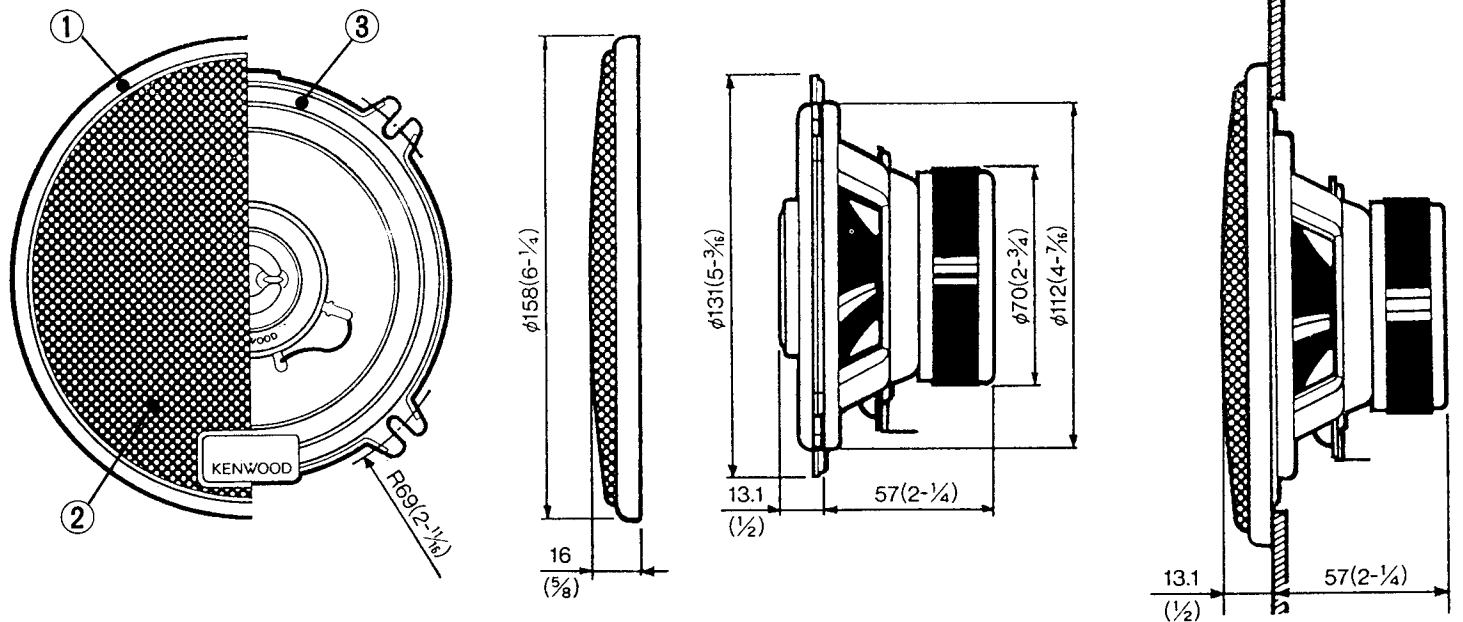


EXTERNAL VIEW

UNIT: mm (inch)

SPECIFICATIONS**Speakers**

Woofer	13cm(5-1/4in) P.P Cone type 228g(8oz) Magnet
Tweeter	2.5cm(1in) Balanced dome type
Peak power	100Watts
Frequency Response	45Hz~22,000Hz
Sensitivity	90dB/W at 1m
Impedance	4 Ohms
Weight per speaker with grille	0.75Kg(1lb 10oz)/pc

We follow a policy of advancements in development.
For this reason specifications may be changed without notice.

PARTS LIST

*New parts

Parts without **Parts No.** are not supplied.Les articles non mentionnés dans le **Parts No.**
ne sont pas fournis.Teile ohne **Parts No.** werden nicht geliefert.

Ref No.	New Parts	Parts No.	Description
①	*	B06-0442-08	GRILLE
	*	B43-0868-08	BADGE SET
		B46-0100-20	WARRANTY CARD
		E30-5058-08	CORD SET
②	*	F09-0990-08	PROTECTOR
		N99-1088-08	SCREW SET
③	*	T15-0170-08	SPEAKER

Free Manuals Download Website

<http://myh66.com>

<http://usermanuals.us>

<http://www.somanuals.com>

<http://www.4manuals.cc>

<http://www.manual-lib.com>

<http://www.404manual.com>

<http://www.luxmanual.com>

<http://aubethermostatmanual.com>

Golf course search by state

<http://golfingnear.com>

Email search by domain

<http://emailbydomain.com>

Auto manuals search

<http://auto.somanuals.com>

TV manuals search

<http://tv.somanuals.com>