

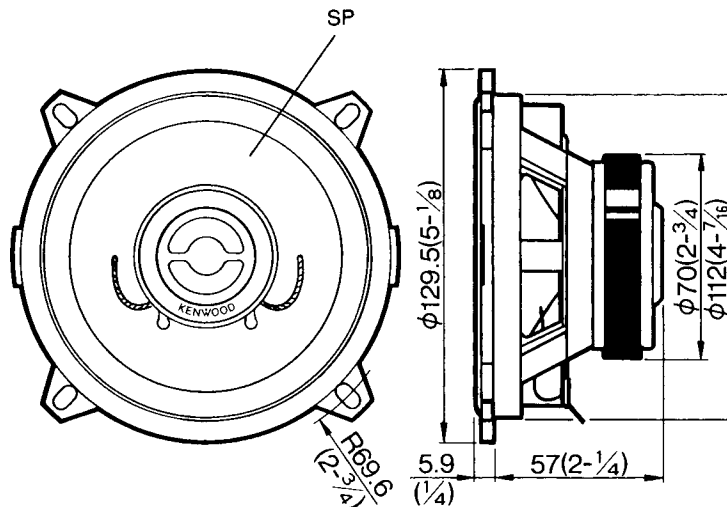
KFC-HQ132C

SERVICE MANUAL

KENWOOD

© 1993-11 PRINTED IN JAPAN
B51-6652-00 (4) 1650

EXTERNAL VIEW



UNIT : mm(inch)

PARTS LIST

*** New Parts**

Parts without Parts No. are not supplied.

Les articles non mentionnés dans le Parts No. ne sont pas fournis.

Teile ohne Parts No. werden nicht geliefert.

| Ref No. | New Parts | Parts No. | Description |
|---------|-----------|-------------|-------------|
| ①~⑥ | * | N99-1255-08 | SCREW SET |
| ⑦ | | J19-3888-08 | GASKET |
| ⑧ | | E30-5137-08 | CORD SET |
| SP | * | T15-0264-08 | SPEAKER |

PARTS INCLUDED

- | | | | |
|---|--|---|--------------------------------|
| ① | $\phi 4 \times 20(\frac{3}{4} \times \frac{1}{4})$x8 | ⑤ | $\phi 4(\frac{3}{16})$x8 |
| ② | M3(M $\frac{1}{16}$).....x8 | ⑥ | $\phi 4(\frac{3}{16})$x8 |
| ③ | M3(M $\frac{1}{16}$).....x8 | ⑦ |x2 |
| ④ | M3(M $\frac{1}{16}$).....x8 | ⑧ | 4.5m(15ft) (O.F.C.).....x2 |

SPECIFICATIONS

| | |
|--------------------|---|
| Speakers | |
| Woofer | 130mm(5in) Injection P.P. Cone Type 150g(5.3oz) Magnet |
| Tweeter | 25mm(1in) P.I. Film Balanced Dome Type |
| Peak Power | 60Watts |
| Frequency Response | 40Hz~30,000Hz |
| Sensitivity | 89dB/W at 1m |
| Impedance | 4 Ohms |
| Net Weight | 1,140g(2.5lb)/Pair |

KENWOOD follows a policy of continuous advancements in development. For this reason specification may be

KENWOOD CORPORATION

Alive Mitake, 2-5, 1-chome Shibuya, Shibuya-ku, Tokyo 150, Japan
KENWOOD SERVICE CORPORATION
 P.O. BOX 22745, 2201 East Dominguez St., Long Beach, CA 90801-5745, U.S.A.
KENWOOD ELECTRONICS CANADA INC.
 6070 Kestrel Road, Mississauga, Ontario, Canada L5T 1S8
KENWOOD ELECTRONICS LATIN AMERICA S.A.
 P.O. BOX 55-2791, Piso 6 Plaza Chase, Cl. 47 y Aquilino de la Guardia, Panama, Republic de Panama
TRIO-KENWOOD U.K. LIMITED
 Kenwood House, Dwight Road, Watford, Herts, WD1 8EB, United Kingdom
KENWOOD ELECTRONICS BENELUX N.V.
 Mechelsesteenweg 418 B-1930 Zaventem, Belgium
KENWOOD ELECTRONICS DEUTSCHLAND GMBH
 Rembrücker Str. 15, 63150 Heusenstamm, Germany
TRIO-KENWOOD FRANCE S.A.
 13 Boulevard Ney, 75018 Paris, France
KENWOOD ELECTRONICS ITALIA S.p.A.
 Via G. Sirtori, 7/9 20129 Milano, Italy
KENWOOD ESPAÑA S.A.
 Bolivia, 239-08020 Barcelona, Spain
KENWOOD ELECTRONICS AUSTRALIA PTY. LTD. (A C N 001 499 074)
 PO BOX 504, 8 Figtree Drive, Australasia Centre, Homebush N.S.W. 2140, Australia
KENWOOD & LEE ELECTRONICS, LTD.
 Unit 3712-3724, Level 37 Tower 1, Metroplaza, 223 Hing Fong Road, Kwai Fong N.T. Hong Kong
KENWOOD ELECTRONICS SINGAPORE PTE LTD.
 No. 1 Genting Lane # 07-00, Singapore, 1334

Free Manuals Download Website

<http://myh66.com>

<http://usermanuals.us>

<http://www.somanuals.com>

<http://www.4manuals.cc>

<http://www.manual-lib.com>

<http://www.404manual.com>

<http://www.luxmanual.com>

<http://aubethermostatmanual.com>

Golf course search by state

<http://golfingnear.com>

Email search by domain

<http://emailbydomain.com>

Auto manuals search

<http://auto.somanuals.com>

TV manuals search

<http://tv.somanuals.com>