

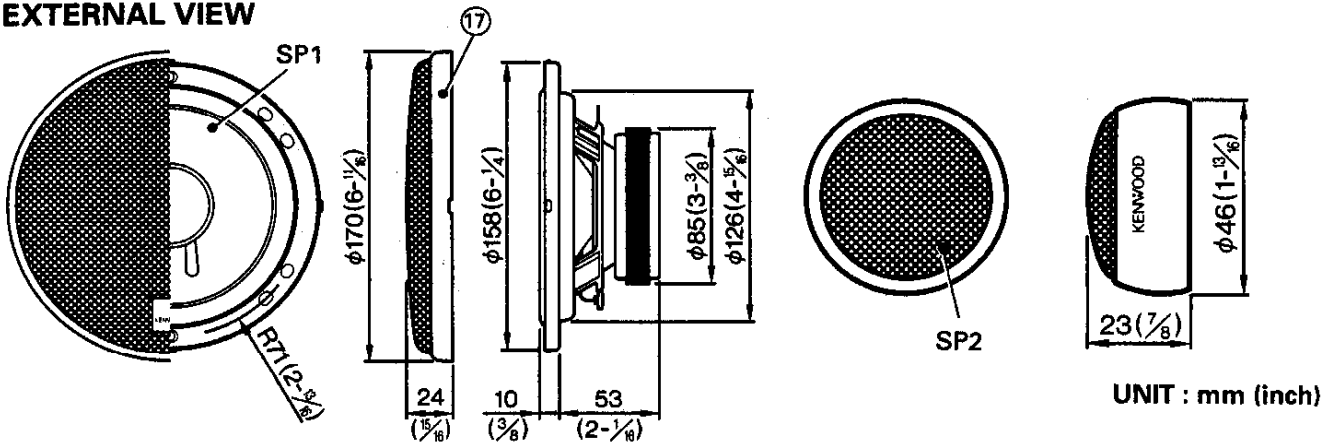
KFC-HQP60

SERVICE MANUAL

KENWOOD

© 1994-7 PRINTED IN JAPAN
B51-6753-00 (N) 327

EXTERNAL VIEW



UNIT : mm (inch)

PARTS INCLUDED

- ① x 2
- ② x 2
- ③ x 2
- ④ x 2
- ⑤ x 2
- ⑥ x 2
- ⑦ φ4 x 8
- ⑧ φ3 x 4
- ⑨ φ4 x 25 x 16
- ⑩ φ3 x 20 x 4
- ⑪ φ3 x 10 x 4
- ⑫ M4 x 20 x 2
- ⑬ φ4 x 2
- ⑭ φ4 x 2
- ⑮ M4 x 2
- ⑯ M4 x 2

SPECIFICATIONS

- Speakers
 - Midrange 160mm (6 in) Injection P.P. Cone Type 275g (9.7 oz) Magnet
 - Tweeter 25mm (1 in) Dome Type
- Peak Power 150Watts
- Frequency Response 40Hz~26,000Hz
- Sensitivity 89dB/W at 1m
- Impedance 4 Ohms
- Net Weight With Grille
 - Midrange 1,900g (4.2 lb)/Pair
 - Tweeter 120g (4.2 oz)/Pair
- Passive Crossover Network
 - Crossover Frequency 4,500Hz

PARTS LIST

* New Parts
Parts without Parts No. are not supplied.
Les articles non mentionnés dans le Parts No. ne sont pas fournis.
Teile ohne Parts No. werden nicht geliefert.

| Ref No. | New Parts | Parts No. | Description |
|---------|-----------|-------------|--------------|
| ① | * | J21-8201-08 | Hardware (A) |
| ② | * | J21-8199-08 | Bracket (A) |
| ③ | * | J21-8200-08 | Bracket (B) |
| ④ | * | J21-8202-08 | Hardware (B) |
| ⑤ | * | L75-2052-08 | Network |
| ⑥ | * | B43-0937-08 | Badge set |
| ⑦~⑯ | * | N99-1279-08 | Screw set |
| ⑰ | * | B06-0883-08 | Grille Assy |
| SP1 | * | T10-0651-08 | Mid-range |
| SP2 | * | T03-0482-08 | Tweeter |

KENWOOD follows a policy of continuous advancements in development.
For this reason specifications may be changed without notice.

TECHNICAL SPECIFICATIONS

| | SYMBOL | UNIT | VALUE |
|------------------------------------|----------------|-----------|--------------------------|
| MIDRANGE | | | |
| Nominal Impedance | Z | ohms | 4 |
| DC Resistance | RE | ohms | 3.80 |
| Voice Coil Inductance | LEM | μH | 0.70 × 10 ³ |
| Resonant Frequency | F ₀ | Hz | 85 |
| Resonant Frequency Impedance | Z ₀ | ohms | 34.86 |
| Mechanical Q Factor | QMS | | 5.281 |
| Electrical Q Factor | QES | | 0.602 |
| Total Q Factor | QTS | | 0.540 |
| Volume Acoustic Compliance | VAS | liters | 9.04 |
| | | (cu. ft.) | (0.319) |
| Mechanical Resistance | RMS | kg/s | 0.929 |
| Moving Mass | MMS | g | 12.01 |
| Suspension Compliance | CMS | mm/N | 0.458 × 10 ⁻³ |
| Emissive Diameter of the Diaphragm | D | mm | 122 |
| Voice Coil Diameter | d | mm | 30.4 |
| Voice Coil Layers | n | | 2 |
| Flux Density | B | T | 1.024 |
| Force Factor | BL | T·m | 5.551 |
| Diameter of Magnet | A | mm | 85 |
| Weight of Magnet | MAGWeight | kg | 0.275 |
| Total Flux | Φ | Wb | 5.86 × 10 ⁻⁴ |
| Peak Exclusion | Xmes | mm | 1 |
| TWEETER | | | |
| Nominal Impedance | Z | ohms | 4 |
| DC Resistance | RE | ohms | 3.60 |
| Voice Coil Inductance | LEM | μH | 0.023 × 10 ³ |
| Emissive Diameter of the Diaphragm | D | mm | 29 |
| Voice Coil Diameter | d | mm | 25.43 |
| Voice Coil Layers | n | | 2 |
| Flux Density | B | T | 1.100 |
| Diameter of Magnet | A | mm | 23.5 |
| Weight of Magnet | M | kg | 0.011 |
| Total Flux | Φ | Wb | 1.75 × 10 ⁻⁴ |

Free Manuals Download Website

<http://myh66.com>

<http://usermanuals.us>

<http://www.somanuals.com>

<http://www.4manuals.cc>

<http://www.manual-lib.com>

<http://www.404manual.com>

<http://www.luxmanual.com>

<http://aubethermostatmanual.com>

Golf course search by state

<http://golfingnear.com>

Email search by domain

<http://emailbydomain.com>

Auto manuals search

<http://auto.somanuals.com>

TV manuals search

<http://tv.somanuals.com>