

KENWOOD

DPX-MP4050B

DPX-MP4050

DPX-3050B

DPX-3050

DPX-MP4030

DPX-3030S

DPX-3030

DOUBLE DIN SIZED CD/CASSETTE RECEIVER
INSTRUCTION MANUAL

KENWOOD CORPORATION



© B64-2319-20/06 (M;TKR)

Contents

Safety precautions.....	3	Cassette player features.....	17	Function Set.....	23
About CDs.....	5	Playing Cassette Tapes		Function Set	
About Cassette tape.....	5	Fast Forwarding and Rewinding		Illumination Color Mode	
Notes on playing MP3	6	Dolby B NR		Contrast Adjustment	
General features	8	Selecting the Tape type		Touch Sensor Tone	
Power		DPSS (Direct Program Search System)		Switching preout	
Selecting the Source		DPSS with the Remote		Opening Demonstration	
Volume		Blank Skip		Equalizer mode	
Attenuator		Index Scan		Security Code	
Equalizer Control		Music Repeat		Tuning Mode	
Adjustment of Equalizer type at EASY				Monaural Reception	
Adjustment of Equalizer type at PRO		CD/MP3/External disc control		Auto Memory Entry	
Memory preset of adjustment of		features	19	Text Scroll	
Equalizer type		Playing CD & MP3			
Audio Control		Playing External Disc		Basic Operations of remote.....	26
DSP System		Fast Forwarding and Reversing		Loading and Replacing the battery	
Spectrum Analyzer Select		Track/ File Search		Basic operations	
Station/Disc Naming (SNPS/DNPS)		Disc Search		In Tuner source	
Switching Display		Folder Search		In Cassette tape source	
Illumination Color Select		Direct Track Search		In Disc source	
User Illumination Color Setting		Direct Disc Search			
Adjusting Clock		Track/ Disc/ Folder/ File Repeat		Accessories	29
Tuner features.....	15	Track Scan		Installation Procedure	29
Tuning		Random Play		Connecting Wires to Terminals	
Direct Access Tuning		Magazine Random Play		30
Station Preset Memory		Folder Select		Installation	31
Auto Memory Entry		Text/Title Scroll		Troubleshooting Guide	32
Preset Tuning				Specifications	37
Frequency Step Setting					

Safety precautions

▲WARNING

To prevent injury or fire, take the following precautions:

- Insert the unit all the way in until it is fully locked in place. Otherwise it may fall out of place when jolted.
- When extending the ignition, battery, or ground wires, make sure to use automotive-grade wires or other wires with a 0.75mm² (AWG18) or more to prevent wire deterioration and damage to the wire coating.
- To prevent a short circuit, never put or leave any metallic objects (such as coins or metal tools) inside the unit.
- If the unit starts to emit smoke or strange smells, turn off the power immediately and consult your Kenwood dealer.
- Make sure not to get your fingers caught between the faceplate and the unit.
- Be careful not to drop the unit or subject it to strong shock.
The unit may break or crack because it contains glass parts.
- Do not touch the liquid crystal fluid if the LCD is damaged or broken due to shock. The liquid crystal fluid may be dangerous to your health or even fatal.
If the liquid crystal fluid from the LCD contacts your body or clothing, wash it off with soap immediately.

▲CAUTION

To prevent damage to the machine, take the following precautions:

- Make sure to ground the unit to a negative 12V DC power supply.
- Do not open the top or bottom covers of the unit.
- Do not install the unit in a spot exposed to direct sunlight or excessive heat or humidity. Also avoid places with too much dust or the possibility of water splashing.
- When replacing a fuse, only use a new one with the prescribed rating. Using a fuse with the wrong rating may cause your unit to malfunction.
- To prevent a short circuit when replacing a fuse, first disconnect the wiring harness.
- Do not use your own screws. Use only the screws provided. If you use the wrong screws, you could damage the unit.

IMPORTANT INFORMATION

About CD players/disc changers connected to this unit

KENWOOD disc changers/ CD players released in 1998 or later can be connected to this unit.

Refer to the catalog or consult your Kenwood dealer for connectable models of disc changers/ CD players.

Note that any KENWOOD disc changers/ CD players released in 1997 or earlier and disc changers made by other makers cannot be connected to this unit.

Unsupported connection may result in damage.

Setting the "O-N" Switch to the "N" position for the applicable KENWOOD disc changers/ CD players.

The functions that can be used and the information that can be displayed will differ depending on the models being connected.



You can damage both your unit and the CD changer if you connect them incorrectly.

Do Not Load 3-in. CDs in the CD slot

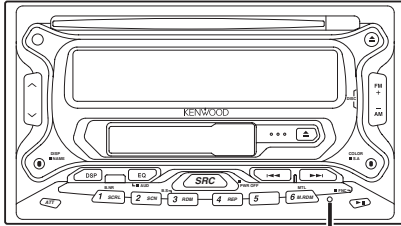
If you try to load a 3 in. CD with its adapter into the unit, the adapter might separate from the CD and damage the unit.

*Manufactured under license from Dolby Laboratories.
"Dolby" and the double-D symbol are trademarks of Dolby Laboratories.*

Safety precautions

NOTE

- If you experience problems during installation, consult your Kenwood dealer.
- If the unit does not seem to be working right, try pressing the reset button first. If that does not solve the problem, consult your Kenwood dealer.
- Press the reset button if the Disc auto changer fails to operate correctly. Normal operation should be restored.



Reset button

- Characters in the LCD may become difficult to read in temperatures below 41 °F (5 °C).
- The illustrations of the display and the panel appearing in this manual are examples used to explain more clearly how the controls are used. Therefore, what appears on the display in the illustrations may differ from what appears on the display on the actual equipment, and some of the illustrations on the display may represent something impossible in actual operation.

Cleaning the Unit

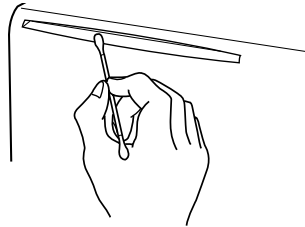
If the faceplate of this unit is stained, wipe it with a dry soft cloth such as a silicon cloth. If the faceplate is stained badly, wipe the stain off with a cloth moistened with neutral cleaner, then wipe neutral detergent off.



Applying spray cleaner directly to the unit may affect its mechanical parts. Wiping the faceplate with a hard cloth or using a volatile liquid such as thinner or alcohol may scratch the surface or erases characters.

Cleaning the CD Slot

As dust tends to accumulate in the CD slot, clean it every once in a while. Your CDs can get scratched if you put them in a dusty CD slot.



Lens Fogging

Right after you turn on the car heater in cold weather, dew or condensation may form on the lens in the CD player of the unit. Called lens fogging, CDs may be impossible to play. In such a situation, remove the disc and wait for the condensation to evaporate. If the unit still does not operate normally after a while, consult your Kenwood dealer.

The marking of products using lasers (Except for some areas)

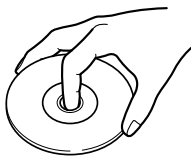
CLASS 1 LASER PRODUCT

The label is attached to the chassis/case and says that the component uses laser beams that have been classified as Class 1. It means that the unit is utilizing laser beams that are of a weaker class. There is no danger of hazardous radiation outside the unit.

About CDs

Handling CDs

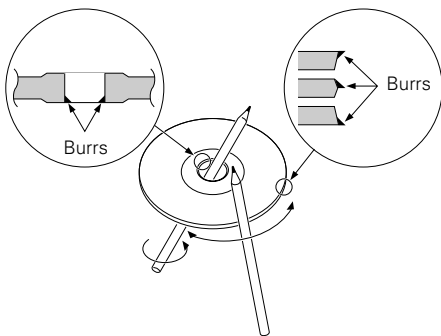
- Don't touch the recording surface of the CD.



- CD-R and CD-RW are easier to damage than a normal music CD. Use a CD-R or a CD-RW after reading the caution items on the package etc.
- Don't stick tape etc. on the CD. Also, don't use a CD with tape stuck on it.

When using a new CD

If the CD center hole or outside rim has burrs, use it after removing them with a ball pen etc.

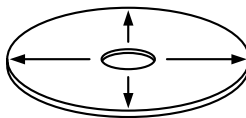


CD accessories

Don't use disc type accessories.

CD cleaning

Clean from the center of the disc and move outward.

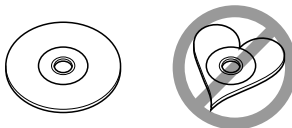



Removing CDs

When removing CDs from this unit pull them out horizontally.

CDs that can't be used

- CDs that aren't round can't be used.



- CDs with coloring on the recording surface or that are dirty can't be used.
- This unit can only play the CDs with . It may not correctly play disks which do not have the mark.
- A CD-R or CD-RW that hasn't been finalized can't be played. (For the finalization process refer to your CD-R/CD-RW writing software, and your CD-R/CD-RW recorder instruction manual.)

CD storage

- Don't place them in direct sunlight (On the seat or dashboard etc.) and where the temperature is high.
- Store CDs in their cases.

About Cassette tape

Cleaning the tape head

When there's noise or the sound quality is bad during tape play the tape head maybe dirty, clean the tape head.

About Cassette tape

- If the tape is slack tighten it.
- If the cassette tape label is peeling off glue it on again.
- Don't use deformed cassette tape.
- Don't place cassette tape on the dashboard etc. where the temperature is high.
- Don't use cassette tape that's 100 minutes long or longer.

Notes on playing MP3 (DPX-MP4050B/ DPX-MP4050/ DPX-MP4030)

This unit can play MP3(MPEG1, 2, 2.5 Audio Layer 3). Note, however, that the MP3 recording media and formats acceptable are limited. When writing MP3, pay attention to the following restrictions.

Acceptable media

The MP3 recording media acceptable to this unit are CD-ROM, CD-R, and CD-RW.

When using CD-RW, do full format not quick format to prevent malfunction.

Acceptable medium formats

The following formats are available for the media used in this unit. The maximum number of characters used for file name including the delimiter (".") and three-character extension are indicated in parentheses.

- ISO 9660 Level 1 (12 characters)
- ISO 9660 Level 2 (31 characters)
- Joliet (64 characters)
- Romeo (128 characters)

Up to 200 characters can be displayed in the long file name format. For a list of available characters, see the instruction manual of the writing software and the section Entering file and folder names below. The media reproducible on this unit has the following limitations:

- Maximum number of directory levels: 8
- Maximum number of files per folder: 255
- Maximum number of characters for folder name: 64
- Maximum number of folders: 50

MP3 written in the formats other than the above may not be successfully played and their file names or folder names are not properly displayed.

Settings for your MP3 encoder and CD writer

Do the following setting when compressing audio data in MP3 data with the MP3 encoder.

- Transfer bit rate : 8 — 320 kbps
 - Sampling frequency : 8, 11.025, 12, 16, 22.05, 24, 32, 44.1, 48 kHz
- When you use your CD writer to record MP3 up to the maximum disc capacity, disable additional writing. For recording on an empty disc up to the maximum capacity at once, check Disc at Once.

Entering ID3 tag

The Displayable ID3 tag is ID3 version 1.x.

For the character code, refer to the List of Codes.


	0	1	2	3	4	5	6	7	8	9	A	B	C	D	E	F
0				0	@	P	p				■	?	A	ā	a	ā
1			1	1	A	O	a	q			1	±	A	N	ā	n
2			2	2	B	R	b	r			2	±	A	O	ā	o
3			3	3	C	S	c	s			3	±	A	O	ā	o
4			4	4	D	T	d	t			4	±	A	O	ā	o
5			5	5	E	U	e	u			5	±	A	O	ā	o
6			6	6	F	V	f	v			6	±	A	O	ā	o
7			7	7	G	W	g	w			7	±	C	X	c	x
8			8	8	H	X	h	x			8	±	E	O	e	o
9			9	9	I	Y	i	y			9	±	E	O	e	o
A			.	J	Z	j	z				A	±	E	O	e	o
B			+	K	[k	[B	±	E	O	e	o
C			,	≤	\	\					C	±	1	0	1	0
D			~	≤	M] m]				D	±	1	Y	1	Y
E			~	≤	N	^	~				E	±	1	P	1	P
F			/	?	O	_	o	■			F	±	1	6	1	Y

Entering file and folder names

The code list characters are the only file names and folder names that can be entered and displayed.

If you use any other character for entry, the file and folder names are not displayed correctly. They may neither be displayed correctly depending on the CD writer used.


The unit recognizes and plays only those MP3 which have the MP3 extension (MP3).

 A file with a name entered with characters not on the code list may not play correctly.

Writing files into a medium

When a medium containing MP3 data is loaded, the unit checks all the data on the medium. If the medium contains a lot of folders or non-MP3 files, therefore, it takes a long time until the unit starts playing MP3.

In addition, it may take time for the unit to move to the next MP3 file or a File Search or Folder Search may not be performed smoothly.

 Loading such a medium may produce loud noise to damage the speakers.

- Do not attempt to play a medium containing a non-MP3 file with the MP3 extension.
The unit mistakes non-MP3 files for MP3 data as long as they have the MP3 extension.
- Do not attempt to play a medium containing non MP3.

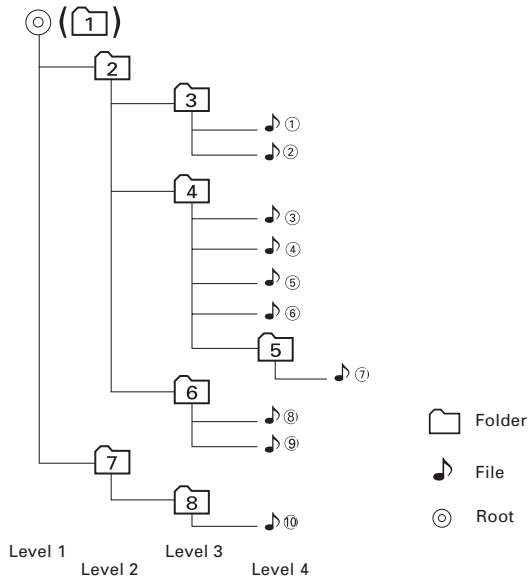
MP3 playing order

When selected for play, Folder Search, File Search, or for Folder Select, files and folders are accessed in the order in which they were written by the CD writer.

Because of this, the order in which they are expected to be played may not match the order in which they are actually played. You may be able to set the order in which MP3 are to be played by writing them onto a medium such as a CD-R with their file names beginning with play sequence numbers such as "01" to "99", depending on your CD writer.

For example, a medium with the following folder/ file hierarchy is subject to Folder Search, File Search, or Folder Select as shown below.

Example of a medium's folder/file hierarchy



When a File Search is executed with file 4 being played ...

Current file number	Operation of the button	
	◀◀ Button	▶▶ Button
♪ ④	Beginning of file ♪ ④ ▶ ♪ ③	♪ ⑤ ▶ ♪ ⑥

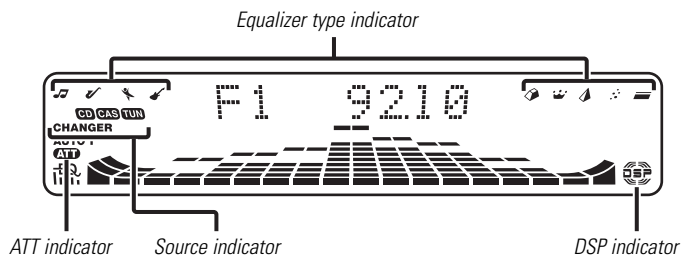
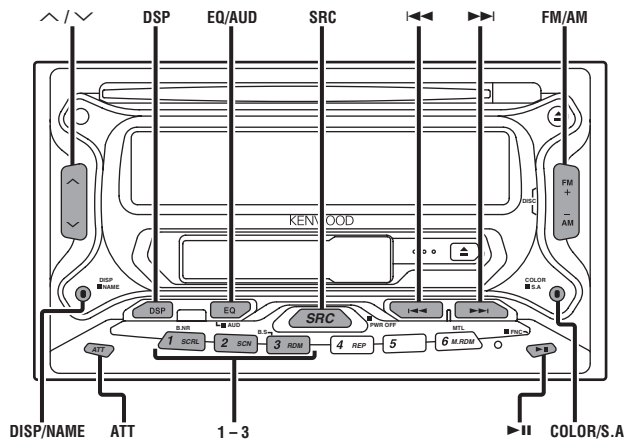
When an Folder Search is executed with file 4 being played ...

Current folder number	Operation of the button	
	AM Button	FM Button
④	③ ▶ ② ▶ ① ▶ ⑧ ...	⑤ ▶ ⑥ ▶ ⑦ ▶ ⑧ ▶ ① ...

When Folder Select is selected with file 4 being played to move from folder to folder ...

Current folder number	Operation of the button			
	◀◀ Button	▶▶ Button	AM Button	FM Button
④	③	⑥	②	⑤

General features



Power

Turning ON the Power

Press the [SRC] button.

Turning OFF the Power

Press the [SRC] button for at least 1 second.

Selecting the Source

Press the [SRC] button.

Source required	Display
Tuner	"TUNER"
Tape	"TAPE"
CD	"CD"
External disc	"CD-CH"/ "MD-CH"
Standby (Illumination only mode)	"ALL OFF"

Volume

Increasing Volume

Press the [^] button.

Decreasing Volume

Press the [v] button.

Attenuator

Turning the volume down quickly.

Press the [ATT] button.

Each time the button is pressed the Attenuator turns ON or OFF.

When it's ON, the "ATT" indicator blinks.

When operation stops for 10 seconds, the Equalizer type at that time is registered and the Equalizer Control mode automatically closes.

Equalizer Control

You can recall the best sound setting preset for different types of the music.

1 Enter the Equalizer Control mode

Press the [EQ] button.

"EQ EASY" or "EQ PRO" is displayed.

2 Select the Equalizer type

Press the [EQ] button.

Each time the button is pressed, the Equalizer type switches as shown below:

Equalizer type	Display
Rock	"Rock"
Dance	"Dance"
Jazz	"Jazz"
Pops	"Pops"
Heavy	"Heavy"
Soft	"Soft"
Sharp	"Sharp"
Light	"Light"
Flat	"Flat"



- "User" display: The values set on the <Adjustment of Equalizer type at PRO> (page 10).
- A selected Equalizer type can be adjusted. Adjustment items depend on the setting of <Equalizer mode> (page 24). Refer to <Adjustment of Equalizer type at EASY> (page 9) or <Adjustment of Equalizer type at PRO> (page 10) for details of adjustment.

3 Exit the Equalizer Control mode

Press the [EQ] button for at least 1 second.

Adjustment of Equalizer type at EASY

Adjusting the effect of an Equalizer type selected in <Equalizer Control> when <Equalizer mode> is "EASY".

1 Refer to <Equalizer Control> (page 9) to select the Equalizer type.

2 Adjust the effect

Press the [FM] or [AM] button.

Each time the button is pressed, the effects of Equalizer switch as shown below:

Setting of effect	Display
High	"Hi"
Medium	"Mid"
Low	"Lo"

General features

Adjustment of Equalizer type at PRO

Adjusting the effect of an Equalizer type selected in <Equalizer Control> when <Equalizer mode> is "PRO".

1 Refer to <Equalizer Control> (page 9) to select the Equalizer type.

2 Select the item for adjustment

Press the [FM] or [AM] button.

Each time the button is pressed, the items that can be adjusted switch as shown below.

3 Adjust the item

Press the [◀◀] or [▶▶] button.

Adjustment Item	Display	Range
Bass Center Frequency	"Bas F"	60/70/80/100 or 150 Hz
Bass level	"Bas LV"	-12 — +12 dB
Bass Q Factor	"Bas Q"	1.00/1.25/1.50/2.00
Bass Extend	"EXT"	On/Off
Middle Center Frequency	"Mid F"	0.5/1.0/1.5/2.0 kHz
Middle level	"Mid LV"	-12 — +12 dB
Middle Q Factor	"Mid Q"	1.0/2.0
Treble Center Frequency	"Tre F"	10.0/12.5/15.0/17.5 kHz
Treble level	"Tre LV"	-12 — +12 dB



- According to the Bass Q Factor setting value, the frequencies that can be set in Bass Center Frequency change as shown below.

Bass Q Factor	Bass Center Frequency
1.00/1.25/1.50	60/70/80/100
2.00	60/70/80/150

- When the Bass Extend is set to ON, low frequency response is extended by 20%.

Memory preset of adjustment of Equalizer type

The <Adjustment of Equalizer type at PRO> can be preset.

1 Refer to <Adjustment of Equalizer type at PRO> (page 10) to adjust the Equalizer type.

2 Preset the adjusted value

Press the [1] — [3] button for at least 2 seconds.

Recalling a setting value

1 Enter the Equalizer Control mode

Press the [EQ] button.

"EQ PRO" is displayed.



If "EQ EASY" is displayed, refer to <Equalizer mode> (page 24) to set the mode to "EQ PRO".

2 Recall the setting value

Press the [1] — [3] button.

Audio Control

1 Enter the Audio Control mode

Press the [AUD] button for at least 1 second.

"AUD mode" is displayed.

2 Select the Audio item for adjustment

Press the [FM] or [AM] button.

Each time the button is pressed, the items that can be adjusted switch as shown below.

3 Adjust the Audio item

Press the [◀◀] or [▶▶] button.

Adjustment Item	Display	Range
Balance	"BAL"	Left 15 — Right 15
Fader	"FAD"	Rear 15 — Front 15
Non Fader Output	"N-F"	On/Off

- 4 Exit the Audio Control mode**
Press the [AUD] button.

DSP System

Setting the simulated Sound field effects of Digital Signal Processor.

1 Enter the DSP Control mode

Press the [DSP] button.
"DSP mode" is displayed.

2 Select the Sound field effects

Press the [DSP] button.
Each time the button is pressed, the Sound field effects switch as shown below:

Sound field effects	Display
Stadium	"Stadium"
Concert Hall	"Concert"
Club	"Club"
Church	"Church"
Studio	"Studio"
Bypass	"Bypass"

When operation stops for 10 seconds, the DSP Control mode closes.

Turn DSP System OFF

Press the [DSP] button for at least 1 second.
"DSP" indicator is OFF.

Spectrum Analyzer Select

Selecting the Spectrum Analyzer display.

1 Enter the Spectrum Analyzer Select mode

Press the [S.A] button for at least 1 second.
"SPEANA" is displayed.

2 Select the Spectrum Analyzer

Press the [S.A] button.
Each time the button is pressed, the Spectrum Analyzers switch as shown below:

Spectrum Analyzer	Display
Scan of Spectrum Analyzer	"S.A Scan"
Spectrum Analyzer 1 — 9	"SPEANA 1" — "SPEANA 9"
Sea Shore	"Seashore"
Spectrum Analyzer Off	"S.A Off"



Scan of Spectrum Analyzer:
The display switches from Spectrum Analyzer 1 to 9 and Sea Shore in sequence.

3 Exit the Spectrum Analyzer Select mode

Press the [S.A] button for at least 1 second.
When operation stops for 10 seconds, Spectrum Analyzer at that time is registered and the Analyzer Select mode automatically closes.

General features

Station/Disc Naming (SNPS/DNPS)

Attaching a title to a Station or CD.

1 Receive/play the station/disc you want to attach a title to



- A title can't be attached to MD or MP3 media.
- Disc Naming can't be done during clock display.

2 Enter name set mode

Press the [NAME] button for at least 2 seconds.
"Name Set" is displayed.

3 Move the cursor to the enter character position

Press the [◀◀] or [▶▶] button.

4 Select the character type

Press the [▶■] button.

Each time the button is pressed the character type switches as shown below.

Character type

Alphabet upper case

Alphabet lower case

5 Select the characters

Press the [FM] or [AM] button.



Characters can be entered by using a remote with a number buttons.

Example: If "DANCE" is entered.

Character	Button	#Times pressed
"D"	[3]	1
"A"	[2]	1
"N"	[6]	2
"C"	[2]	3
"E"	[3]	2

6 Repeat steps 3 through 5 and enter the name.

7 Exit name set mode

Press the [NAME] button.



- When operation stops for 10 seconds the name at that time is registered, and Name Set mode closes.
- Memory numbers
 - FM & AM: 30 stations
 - Internal CD player: 10 discs
 - External CD changer/ player: Varies according to the CD changer/ player. Refer to the CD changer/ player manual.
- The title of station/CD can be changed by the same operation used to name it.

Switching Display

Switching the information displayed.

Press the [DISP] button.

Each time the button is pressed the display switches as shown below.

In Tuner source

Information	Display
Frequency	
Station name	"SNPS"
Character	
Clock	

In CD & External disc source

Information	Display
Track number & Track time	"P-Time"
Track number & Disc play time	"A-Time"
Disc name	"DNPS"
Disc title (In External disc source or DPX-MP4050B/ DPX-MP4050/ DPX-MP4030 internal CD source)	"D-Title"
Track title (In External disc source or DPX-MP4050B/ DPX-MP4050/ DPX-MP4030 internal CD source)	"T-Title"
Charactor	
Clock	

In MP3 source (DPX-MP4050B/ DPX-MP4050/ DPX-MP4030)

Information	Display
Track Time	"P-Time"
Folder name	"Folder"
File name	"File"
Song title & Artist name	"Title"
Album name	"Album"
Charactor	
Clock	

In Tape source

Information	
Play side & Tape counter	
Charactor	
Clock	

In ALL OFF Mode

Information	
Charactor & Graphic	
Clock & Graphic	
Clock	

Illumination Color Select

Setting the color of the display.

1 Enter the Illumination Color Select mode

Press the [COLOR] button.

"Illumi" is displayed.

2 Select the Illumination Color

Press the [COLOR] button.

Each time the button is pressed, the Illumination Color switches as shown below:

Illumination Color	Display
Scan of "Blue" to "Mint"	"V.Color"
Blue	"Blue"
Mars Red	"Mars Red"
White	"White"
Lavender	"Lavender"
Muscat	"Muscat"
Pink	"Pink"
Sky Blue	"Sky Blue"
Lime	"Lime"
Violet	"Violet"
Aqua	"Aqua"
Orange	"Orange"
Mint	"Mint"
User Color	"R-X/G-X/B-X"



"User Color" enables the color set in <User Illumination Color Setting> (page 14) to be recalled.

3 Exit the Illumination Color Select mode

Press the [COLOR] button for at least 1 second.

When operation stops for 10 seconds, the Illumination Color at that time is registered and the Illumination Color Select mode automatically closes.

General features

User Illumination Color Setting

The Illumination Color by the adjustment of RGB can arbitrarily set.

1 Enter the Illumination Color Select mode

Press the [COLOR] button.

"Illumi" is displayed.

2 Select the Color for adjustment

Press the [◀] or [▶] button.

Each time the button is pressed, the colors that can be adjusted switch as shown below:

Adjustment Color	Display
Red	"R" is blinks
Green	"G" is blinks
Blue	"B" is blinks

3 Adjust the Color

Press the [FM] or [AM] button.

Each time the button is pressed, the intensity of color changes as shown below:

Intensity of color	Display
Turning off	"X-0"
Weak	"X-1"
⋮	⋮
Dark	"X-4"

4 Exit the Illumination Color Select mode

Press the [COLOR] button for at least 1 second.

When operation stops for 10 seconds, the Illumination Color at that time is determined and the Illumination Color Select mode automatically closes.

Adjusting Clock

1 Select the clock display

Press the [DISP] button.

2 Enter clock adjustment mode

Press the [DISP] button for at least 1 second.

The ☉ indicator blinks.

3 Adjust the hours

Press the [FM] or [AM] button.

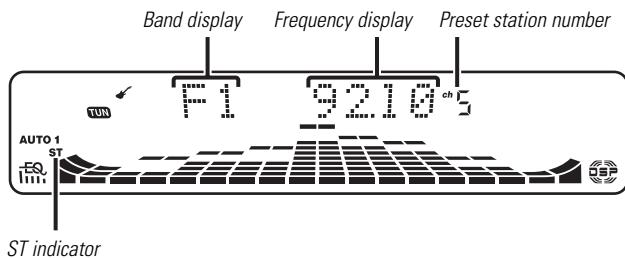
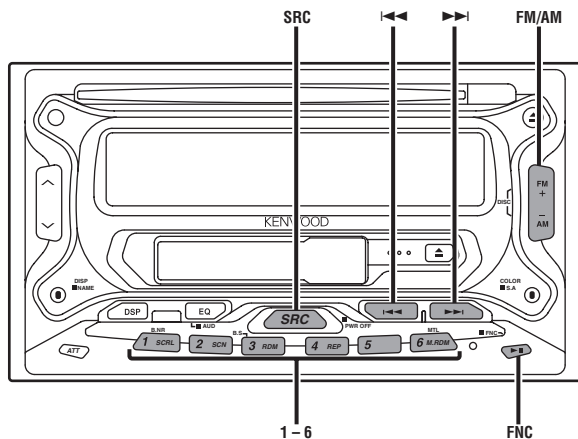
Adjust the minutes

Press the [◀] or [▶] button.

4 Exit clock adjustment mode

Press the [DISP] button.

Tuner features



Tuning

Selecting the station.

1 Select tuner source

Press the [SRC] button.
Select the "TUNER" display.

2 Select the band

Press the [FM] or [AM] button.
Each time the [FM] button is pressed it switches between the FM1, FM2, and FM3 bands.

3 Tune up or down band

Press the [◀] or [▶] button.

During reception of stereo stations the "ST" indicator is ON.

Direct Access Tuning (Function of remote)

Entering the frequency and tuning.

1 Select the band

Press the [FM] or [AM] button.

2 Enter Direct Access Tuning mode

Press the [DIRECT] button on the remote.
"----" is displayed.

3 Enter the frequency

Press the number buttons on the remote.
Example:

Desired frequency	Press button
92.1 MHz (FM)	[0], [9], [2], [1]
810 kHz (AM)	[0], [8], [1], [0]

Canceling Direct Access Tuning

Press the [DIRECT] button on the remote.

Tuner features

Station Preset Memory

Putting the station in the memory.

- 1 Select the band**
Press the [FM] or [AM] button.
- 2 Select the frequency to put in the memory**
Press the [◀◀] or [▶▶] button.
- 3 Put the frequency in the memory**
Press the [1] — [6] button for at least 2 seconds.
The preset number display blinks 1 time.
On each band, 1 station can be put in the memory on each [1] — [6] button.

Auto Memory Entry

Putting a station with good reception in the memory automatically.

- 1 Select the band for Auto Memory Entry**
Press the [FM] or [AM] button.
- 2 Enter Function mode**
Press the [FNC] button for at least 1 second.
"Function" is displayed.
- 3 Select the Auto Memory Entry mode**
Press the [FM] or [AM] button.
Select the "A-Memory" display.
- 4 Open Auto Memory Entry**
Press the [◀◀] or [▶▶] button for at least 2 seconds.
When 6 stations that can be received are put in the memory
Auto Memory Entry closes.

Preset Tuning


Calling up the stations in the memory.

- 1 Select the band**
Press the [FM] or [AM] button.
- 2 Call up the station**
Press the [1] — [6] button.

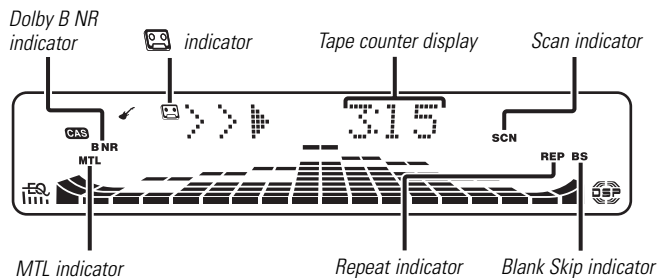
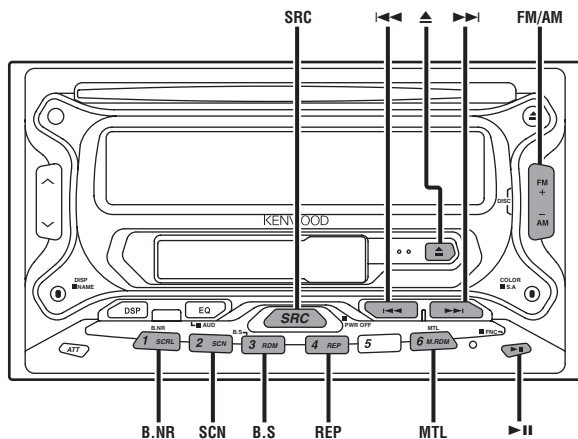
Frequency Step Setting

Changing the tuning frequency step.

The original setting is FM band 50 kHz, and AM band 9 kHz.

- 1 Turn the power OFF**
Press the [SRC] button for at least 1 second.
- 2 Switch the frequency step**
While pressing the [1] and [5] button, press the [SRC] button.
The frequency step changes to FM band 200 kHz, and AM band 10 kHz.
 -  • When the same operation is repeated, it returns to the original setting.
 - When the frequency step is switched, the frequencies in the memory are deleted.

Cassette player features



Playing Cassette Tapes

When the Cassette Tape is inserted

Press the [SRC] button.
Select the "TAPE" display.

 When there's a Cassette Tape inserted, the  indicator is ON.

When you want to listen to the reverse side

Press the [▶||] button.

Eject the Cassette Tape

Press the [▲] button.

Fast Forwarding and Rewinding

Fast Forwarding

Press the [FM] button.
When it's stopped press the [▶||] button.

Rewinding

Press the [AM] button.
When it's stopped press the [▶||] button.

Dolby B NR

Press the [B.NR] button.
Each time the button is pressed the Dolby B NR turns ON or OFF.
When it's ON, "B NR On" is displayed.

Cassette player features

Selecting the Tape type

Press the [MTL] button.

Each time the button is pressed the Tape type switches as shown below.

"MTL" indicator	Tape type
ON	CrO ₂ (Type II), FeCr (Type III), Metal (Type IV)
OFF	Normal (Type I)

DPSS (Direct Program Search System)

Indicating the songs to skip, and Fast Forwarding or Rewinding.

Skipping to a later song

Press the [▶▶] button.

Each time the button is pressed the number of songs skipped increases.

Skipping to a previous song

Press the [◀◀] button.

Each time the button is pressed the number of songs skipped increases.

Canceling DPSS

Press the [▶II] button.



- During the songs first 5 seconds there may be a times when the previous song is recognized as the current song.
- As many as 9 songs can be skipped.

DPSS with the Remote

Designating the song to be skipped with the remote control number buttons.

1 Designate the song to skip

Press number buttons on the remote.

2 Skipping to a later song

Press the [▶▶] button.

Skipping to a previous song

Press the [◀◀] button.

Canceling DPSS

Press the [▶II] button.



- During the songs first 5 seconds there may be a times when the previous track is recognized as the current track.
- As many as 9 songs can be skipped.

Blank Skip

Fast forwarding automatically when an unrecorded portion continues for at least 10 seconds.

Press the [B.S] button.

Each time the button is pressed the Blank Skip turns ON or OFF. When it's ON, "B.S On" is displayed.

Index Scan

Playing the first part of each song on the tape you are listening to and searching for the song you want to listen to.

1 Start Index Scan

Press the [SCN] button.

"IDX Scan" is displayed.

2 Release it when the song you want to listen to is played

Press the [SCN] button.

CD/MP3/External disc control features

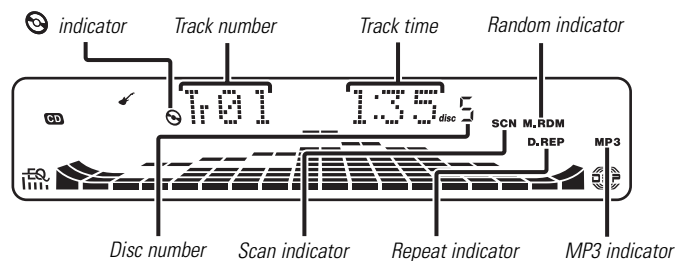
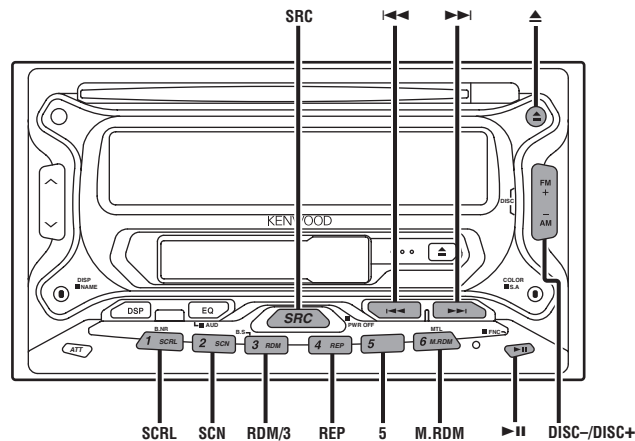
Music Repeat

Repeating the present song.

Press the [REP] button.

Each time the button is pressed the Music Repeat turns ON or OFF.

When it's ON, "Repeat" is displayed.




CD/MP3/External disc control features

Playing CD & MP3

When there is no disc inserted

Insert a disc.

- The models that can play MP3 is shown below.
DPX-MP4050B/ DPX-MP4050/ DPX-MP4030
During MP3 is playing, the "MP3" indicator is ON.
- When a disc is inserted, the  indicator is ON.

When a disc is inserted

Press the [SRC] button.

Select the "CD" display.


Pause and play


Press the  button.

Each time the button is pressed it pauses and plays.

Eject the disc

Press the  button.

-  3 in. (8cm) CD cannot be played. Using an adapter and inserting them into this unit can cause damage.

-  The MP3 media that this unit can play are CD-ROM, CD-R, and CD-RW.

The medium formats must be ISO 9660 Level 1, Level 2, Joliet, or Romeo. The methods and precautions to be followed for writing MP3 data are covered in <Notes on playing MP3> (page 6). Check that section before creating your MP3 media.

Playing External Disc

Playing discs set in the optional accessory disc player connected to this unit.

Press the [SRC] button.

Select the display for the disc player you want.

Display examples:

Display

"CD-CH"

"MD-CH"

Disc player


CD changer

MD changer

Pause and play


Press the  button.

Each time the button is pressed it pauses and plays.

-  Disc #10 is displayed as "0".
- The functions that can be used and the information that can be displayed will differ depending on the external disc players being connected.


Fast Forwarding and Reversing

Fast Forwarding

Hold down on the  button.

Release your finger to play the disc at that point.

Reversing

Hold down on the  button.

Release your finger to play the disc at that point.

Track/ File Search

Selecting the song you want to hear.

Searching for a song on the disc or in the MP3 folder.

Press the  or  button.

Disc Search (Function of disc changer)

Selecting the disc you want to hear.

Press the [DISC-] or [DISC+] button.

Folder Search (Function of MP3)

Selecting the folder recorded on the MP3 media.

Press the [DISC-] or [DISC+] button.



When a disc is being played in an MP3-compatible Disc Changer, pause the play.

Direct Track Search (Function of remote)

Doing Track Search by entering the track number.

1 Enter the track number

Press the number buttons on the remote.

2 Do Track Search

Press the [◀◀] or [▶▶] button.

Canceling Direct Track Search

Press the [▶||] button.

Direct Disc Search (Function of disc changers with remote)

Doing Disc Search by entering the disc number.

1 Enter the disc number

Press the number buttons on the remote.

2 Do Disc Search

Press the [DISC+] or [DISC-] button.

Canceling Direct Disc Search

Press the [▶||] button.



Input "0" to select disc 10.

Track/ Disc/ Folder/ File Repeat

Replaying the song, disc in the Disc changer or MP3 folder you're listening to.

Press the [REP] button.

Each time the button is pressed the Repeat Play switches as shown below.

During CD/MD play

Repeat play	Display
Track Repeat	"Repeat"
Disc Repeat (Function of disc changer)	"D-Repeat"
OFF	—

During MP3 play

Repeat play	Display
File Repeat	"File REP"
Folder Repeat	"Fold. REP"
OFF	—

Track Scan

Playing the first part of each song on the disc or MP3 folder you are listening to and searching for the song you want to listen to.

1 Start Track Scan

Press the [SCN] button.

"Scan" is displayed.

2 Release it when the song you want to listen to is played

Press the [SCN] button.

CD/MP3/External disc control features

Random Play

Play all the songs on the disc or MP3 folder in random order.

Press the [RDM] button.

Each time the button is pressed Random Play turns ON or OFF. When it's ON, "Random" is displayed.

 When the [▶▶] button is pressed, the next song select starts.

Magazine Random Play (Function of disc changer)

Play the songs on all the discs in the disc changer in random order.

Press the [M.RDM] button.

Each time the button is pressed the Magazine Random Play turns ON or OFF.

When it's ON, "M-Random" is displayed.

 When the [▶▶] button is pressed, the next song select starts.

Function of the DPX-MP4050B/ DPX-MP4050/ DPX-MP4030

Folder Select (Function of MP3)

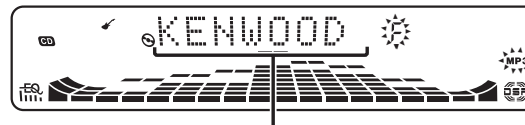
Quickly selecting the folder you want to listen to.

1 Enter Folder Select mode

Press the [5] button.

"F.Select" is displayed.

During Select mode the folder information is displayed as shown below.



<Folder name display>
Displays the current folder name.

2 Select the folder level

Press the [FM] or [AM] button.

With the [FM] button you move 1 level down and with the [AM] button 1 level up.

Selecting a folder in the same level

Press the [◀◀] or [▶▶] button.

With the [◀◀] button you move to the previous folder, and with the [▶▶] button to the next folder.


Returning to the top level

Press the [3] button.

3 Decide the folder to play

Press the [▶▶] button.

The Folder Select mode releases, and the MP3 in the folder being displayed is played.

 The methods for moving to other folders in the folder select mode are different from those in the folder search mode. See <Notes on playing MP3> (page 6) for details.

Canceling the Folder Select mode

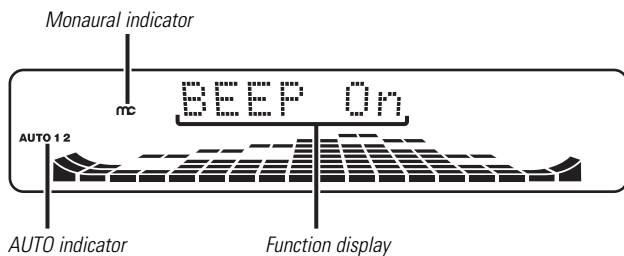
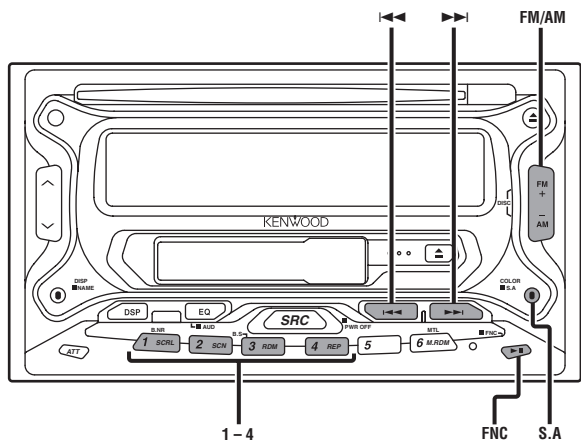
Press the [5] button.

Text/Title Scroll

Scrolling the displayed CD text, MP3 text, or MD title.

Press the [SCRL] button.

Function Set



Function Set

Setting during operation beep sound etc. functions. The Function Set basic operation method is explained here. The reference for the Function items and their setting content is after this operation explanation.

1 Enter Function Set mode

Press the [FNC] button for at least 1 second. "Function" is displayed.

2 Select the Function Set item

Press the [FM] or [AM] button.

Example: When you want to set the beep sound select the "BEEP" display.

3 Set the Function Set item

Press the [◀◀] or [▶▶] button.

Example: When "BEEP" is selected, each time the button is pressed it switches "BEEP On" or "BEEP Off". Select 1 of them as the setting.

You can continue by returning to step 2 and setting other items.

4 Exit Function Set mode

Press the [FNC] button.



When other items that are applicable to the basic operation method above are displayed afterwards their setting content chart is entered. (Normally the uppermost setting in the chart is the original setting.)

Also, the explanation for items that aren't applicable are entered step by step.

Function Set

<In ALL OFF Mode>

Illumination Color Mode

Setting the Illumination Color Mode of your display.

Display	Setting
"COL Sync"	The color of your display changes from one color to another during volume adjustment and during Attenuator being ON.
"COL Fix"	Fix the color set.

Contrast Adjustment

Adjusting the display contrast.

Display and Setting

"CONT 1"	
⋮	
"CONT 7" (Original setting)	
⋮	
"CONT 11"	

Touch Sensor Tone

Setting the operation check sound (beep sound) ON/OFF.

Display	Setting
"BEEP On"	Beep is heard.
"BEEP Off"	Beep canceled.

Switching preout

Switching the preout between the rear and non-fading. (In non-fading it outputs without effect from the fader control.)

Display	Setting
"Pout R"	Rear preout.
"Pout N-F"	Non-fading preout.

Opening Demonstration

Setting the Demonstration when Power is turned ON.

Display	Setting
"Open On"	Demonstration is carried out when Power is turned ON.
"Open Off"	Demonstration is not carried out when Power is turned ON.

Equalizer mode

Setting the method of adjusting Equalizer types.

1 Select Equalizer mode

Press the [FM] or [AM] button.

Select the "EQ" display.

2 Select the method of adjusting Equalizer types

Press the [◀◀] or [▶▶] button for at least 1 second.

Each time the button is pressed for at least 1 second, method of adjusting Equalizer type switches as shown below:

Display	Setting
"EQ EASY"	The effects of Equalizer type can be adjusted among 3 levels.
"EQ PRO"	Equalizer types can be adjusted by Bass, Middle, and Treble.

- 5** Do the step 3 and 4 step operation, and reenter the security code.
The Security Code function activates.



When a Code different from step 3 is entered, repeat from step 3.

Press the Reset button and when it's removed from the battery power source

- 1 Turn the power ON.
- 2 Do the step 3 and 4 operation, and enter the Security Code.
"CODE OK!" is displayed.
The unit can be used.

Security Code

Because authorization by the Security Code is required when it's removed from the vehicle, personalizing this unit is by using the Security Code is a help in preventing theft.



When the Security Code function is activated, the code can't be changed and the function can't be released.
Note, the Security Code can be set as the 4 digit number of your choice.

1 Select the Security Code mode

Press the [FM] or [AM] button.
Select the "Security" display.

2 Enter the Security Code mode

Press the [S.A] button for at least 2 seconds.
"WRITE!" is displayed.

3 Enter the Security Code

Press the [1] — [4] button.
Example: If the Security Code is "3510".

Step	Button	#Times pressed	Display
1	[1]	4	"3"
2	[2]	6	"5"
3	[3]	2	"1"
4	[4]	1	"0"

4 Confirm the Security Code

Press the [S.A] button.
When "WRITE!" is displayed, "RE-ENTER" is displayed.

<In Tuner mode>

Tuning Mode

Sets the tuning mode.

Tuning mode	Display	Operation
Auto seek	"Auto 1"	Automatic search for a station.
Preset station seek	"Auto 2"	Search in order of the stations in the Preset memory.
Manual	"Manual"	Normal manual tuning control.

Monaural Reception <In FM reception>

Noise can be reduced when stereo broadcasts are received as monaural.

Display	Setting
"MONO Off"	The monaural reception is OFF.
"MONO On"	The monaural reception is ON.

Function Set

Auto Memory Entry

For the operation method refer to <Auto Memory Entry> (page 16).

<In CD/MP3/External disc control mode>

Text Scroll

Setting the displayed text scroll.

Display	Setting
"SCL Auto"	Repeats scroll.
"SCL Manu"	Scrolls when the display changes.

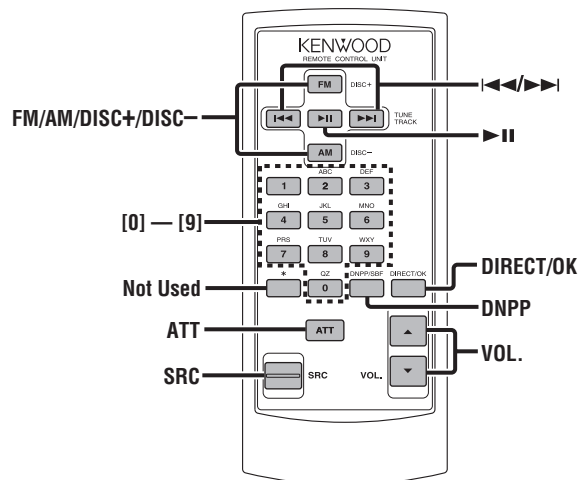


The text scrolled is shown below.

- CD text
- Folder name/ File name/ Song title/ Artist name/ Album name
- MD title

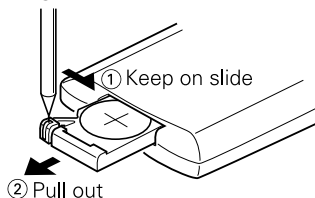
Basic Operations of remote

Accessory of the DPX-MP4050B/ MP4050/ 3050/ MP4030/ 3030S



Loading and Replacing the battery

Use one lithium battery (CR2025).
Insert the batteries with the + and – poles aligned properly,
following the illustration inside the case.



▲WARNING

Store unused batteries out of the reach of children. Contact a doctor immediately if the battery is accidentally swallowed.

⚠ Do not set the remote on hot places such as above the dashboard.

Basic operations

[VOL.] buttons

Adjusting the volume.

[SRC] button

Each time the button is pressed the source switches.
For the source switching order refer to <Selecting the Source>
(page 8).

[ATT] button

Turning the volume down quickly.
When it is pressed again it returns to the previous level.

In Tuner source

[FM]/ [AM] buttons

Select the band.
Each time the [FM] button is pressed it switches between the
FM1, FM2, and FM3 bands.

[◀◀] / [▶▶] buttons

Tune up or down band.

[0] — [9] buttons

Press buttons [1] — [6] to recall preset stations.

[DIRECT] button

Enters and cancels the <Direct Access Tuning> (page 15) mode.

In Cassette tape source

[◀◀] / [▶▶] buttons

Do <DPSS (Direct Program Search System)> (page 18).

[▶II] button

Plays the reverse side of the tape.

[FM] button

Fast forwards the tape.
When the [▶II] button is pressed it releases.

[AM] button

Rewinds the tape.
When the [▶II] button is pressed it can be released.

[0] — [9] buttons

When in <DPSS with the Remote> (page 18) enter the number
of songs.

Basic Operations of remote

Accessory of the DPX-MP4050B/ MP4050/ 3050/ MP4030/ 3030S

In Disc source

[◀◀]/ [▶▶] buttons

Doing track/ file forward and backward.

[DISC+]/ [DISC-] buttons

Doing disc/ folder forward and backward.

▶ II button

Each time the button is pressed the song pauses and plays.

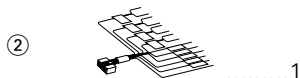
[0] — [9] buttons

When in <Direct Track Search> (page 21) and <Direct Disc Search> (page 21), enter the track/disc number.

Accessories

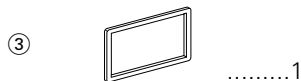
External view

..... Number of items



External view

..... Number of items



The use of any accessories except for those provided might result in damage to the unit. Make sure only to use the accessories shipped with the unit, as shown above.

Installation Procedure

1. To prevent a short circuit, remove the key from the ignition and disconnect the \ominus battery.
2. Make the proper input and output wire connections for each unit.
3. Connect the speaker wires of the wiring harness.
4. Connect the wiring harness wires in the following order: ground, battery, ignition.
5. Connect the wiring harness connector to the unit.
6. Install the unit in your car.
7. Reconnect the \ominus battery.
8. Press the reset button.

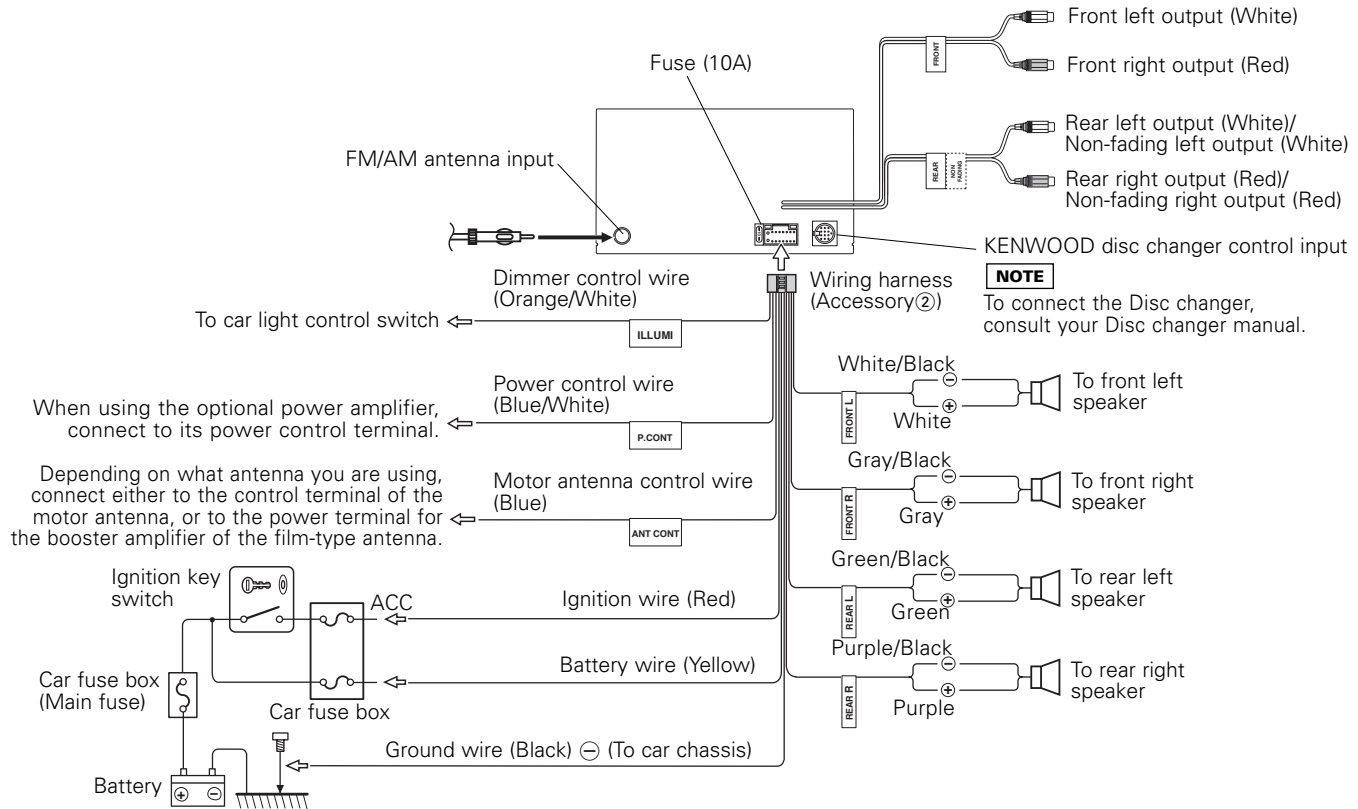
▲WARNING

If you connect the ignition wire (red) and the battery wire (yellow) to the car chassis (ground), you may cause a short circuit, that in turn may start a fire. Always connect those wires to the power source running through the fuse box.

▲CAUTION

- If your car's ignition does not have an ACC position, connect the ignition wires to a power source that can be turned on and off with the ignition key. If you connect the ignition wire to a power source with a constant voltage supply, as with battery wires, the battery may die.
- If the fuse blows, first make sure the wires aren't touching to cause a short circuit, then replace the old fuse with one with the same rating.
- Insulate unconnected wires with vinyl tape or other similar material. To prevent a short circuit, do not remove the caps on the ends of the unconnected wires or the terminals.
- Connect the speaker wires correctly to the terminals to which they correspond. The unit may be damaged or fail to work if you share the \ominus wires or ground them to any metal part in the car.
- When only two speakers are being connected to the system, connect the connectors either to both the front output terminals or to both the rear output terminals (do not mix front and rear). For example, if you connect the \oplus connector of the left speaker to a front output terminal, do not connect the \ominus connector to a rear output terminal
- After the unit is installed, check whether the brake lamps, blinkers, wipers, etc. on the car are working properly.
- Mount the unit so that the mounting angle is 30° or less.

Connecting Wires to Terminals



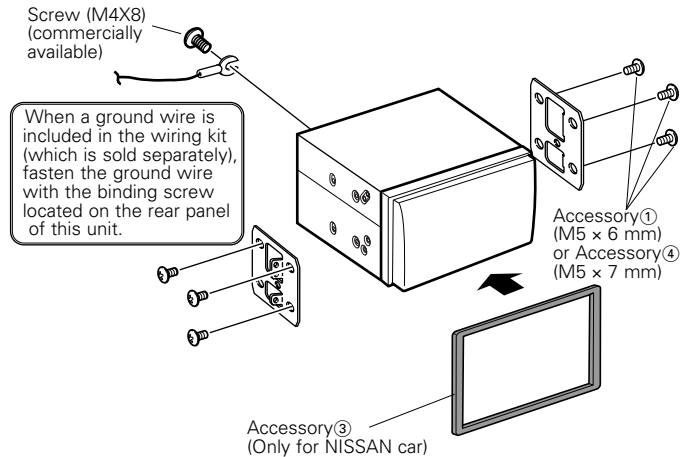
Installation

▲CAUTION

When performing a check of the CD operation prior to installation, place this unit in a horizontal position and perform a loading/eject of the CD.

■ Installation

Install onto the car bracket using the supplied screws (M5 × 6 mm, M5 × 7 mm). The holes of the car bracket to use will differ depending on the car model.



Troubleshooting Guide

What might seem to be a malfunction in your unit may just be the result of slight misoperation or miswiring. Before calling service, first check the following table for possible problems.

General

? The power does not turn ON.

- ✓ The fuse has blown.
 - ☞ After checking for short circuits in the wires, replace the fuse with one with the same rating.
- ✓ No ACC position on vehicle ignition.
 - ☞ Connect the same wire to the ignition as the battery wire.

? Nothing happens when the buttons are pressed.

- ✓ The computer chip in the unit is not functioning normally.
 - ☞ Press the reset button on the unit (page 4).

? There's a source you can't switch.

- ✓ There's no tape inserted.
 - ☞ Set the media you want to listen to. If there's no media in this unit, you can't switch to each source.
- ✓ There's no CD inserted.
 - ☞ Set the media you want to listen to. If there's no media in this unit, you can't switch to each source.
- ✓ The Disc changer isn't connected.
 - ☞ Connect the Disc changer. If the Disc changer isn't connected to it's input terminal, You can't switch to an external disc source.

? The memory is erased when the ignition is turned OFF.

- ✓ The battery wire has not been connected to the proper terminal.
 - ☞ Connect the wire correctly, referring to the section on <Connecting Wires to Terminals> (page 30).
- ✓ The ignition and battery wire are incorrectly connected.
 - ☞ Connect the wire correctly, referring to the section on <Connecting Wires to Terminals> (page 30).

? No sound can be heard, or the volume is low.

- ✓ The fader or balance settings are set all the way to one side.
 - ☞ Center the fader and balance settings.
- ✓ The input/output wires or wiring harness are connected incorrectly.
 - ☞ Reconnect the input/output wires or the wiring harness correctly. See the section on <Connecting Wires to Terminals> (page 30).

- ✓ The cassette tape is bad.
 - ☞ Try playing another cassette tape. If works fine, the first tape was bad.

? The sound quality is poor or distorted.

- ✓ One of the speaker wires is being pinched by a screw in the car.
 - ☞ Check the speaker wiring.
- ✓ The tape head is dirty.
 - ☞ Clean the tape head.
- ✓ The speakers are not wired correctly.
 - ☞ Reconnect the speaker wires so that each output terminal is connected to a different speaker.

? Non-fading setting can't be done.

- ✓ The <Switching preout> (page 24) is set on Rear preout.
 - ☞ Set it on Non-fading preout.

? The text is not scrolled.

- ✓ This is because eight or less characters are displayed.
 - ☞ If all the characters are displayable on the display part, the text is scrolled once when the display switches, and after that, the text is not scrolled.

? The Security Code item isn't displayed in the Function System.

- ✓ The Security Code function is already activated.
 - ☞ When the Security Code function is activated it isn't displayed in the Function items.

? The Touch Sensor Tone doesn't sound.

- ✓ The preout jack is being used.
 - ☞ The Touch Sensor Tone can't be output from the preout jack.

? Even though the vehicle light switch is turned ON, the unit's display won't dim.

- ✓ The dimmer wire isn't connected.
 - ☞ Connect the dimmer wire correctly.

? The display color changes subtly.

- ✓ This is because the temperature is different than the temperature when the setting was done.
 - ☞ The display color condition changes subtly according to the ambient temperature.

Tuner source

? Radio reception is poor.

- ✓ The car antenna is not extended.
 - ☞ Pull the antenna out all the way.
- ✓ The antenna control wire is not connected.
 - ☞ Connect the wire correctly, referring to the section on <Connecting Wires to Terminals> (page 30).

? The desired frequency can't be entered with the Direct Access Tuning.

- ✓ A station that can't be received is being entered.
 - ☞ Enter a station that can be received.
- ✓ You're trying to enter a frequency with a 0.01 MHz unit.
 - ☞ What can be designated in the FM band is to 0.1 MHz.

Cassette tape source

? Can't remove tape.

- ✓ The cause is that more than 10 minutes has elapsed since the vehicle ACC switch was turned OFF.
 - ☞ The tape can only be removed within 10 minutes of the ACC switch being turned OFF. If more than 10 minutes has elapsed, turn the ACC switch ON again and press the Eject button.

? The DPSS, Tape Advance and Music Repeat don't operate correctly.

- ✓ The space between the songs on the tape can't be recognized because it's too short.
 - ☞ Have at least 4 seconds between songs.
- ✓ The space between songs can't be recognized because there's too much noise between songs.
 - ☞ Reduce the noise between songs.

? The blank skip doesn't work.

- ✓ Because noise is too loud, the non-recorded part can't be recognized.
 - ☞ Reduce the noise between songs.

? Blank Skip functions at places that are recorded.

- ✓ Because the recording level is low, it's recognized as not recorded.
 - ☞ Turn Blank Skip OFF.

Disc source

? "AUX" is displayed without achieving External disc control mode.

- ✓ O-N switch is set to "O" side.
 - ☞ Set the switch to "N" side.
- ✓ Unsupported disc changer is connected.
 - ☞ Connect the supported disc changer. (page 3)

? The specified disc does not play, but another one plays instead.

- ✓ The specified CD is quite dirty.
 - ☞ Clean the CD.
- ✓ The CD is upside-down.
 - ☞ Load the CD with the labeled side up.
- ✓ The disc is loaded in a different slot from that specified.
 - ☞ Eject the disc magazine and check the number for the specified disc.
- ✓ The disc is severely scratched.
 - ☞ Try another disc instead.

? The specified track will not play.

- ✓ Random play or magazine random play has been selected.
 - ☞ Turn off random play or magazine random play.

? Track repeat, disc repeat, track scan, random play, and magazine random play start by themselves.

- ✓ The setting is not canceled.
 - ☞ The settings for these functions remain on until the setting to off or the disc ejected, even if the power is turned off or the source changed.

? Cannot play CD-R or CD-RW.

- ✓ Finalization processing is not being conducted for CD-R/CD-RW.
 - ☞ Conduct finalization processing with CD recorder.
- ✓ A non-compatible CD changer is being used to play the CD-R/CD-RW.
 - ☞ Use a CD changer compatible with CD-R/CD-RW to play.

? A CD ejects as soon as it is loaded.

- ✓ The CD is upside-down.
 - ☞ Load the CD with the labeled side up.
- ✓ The CD is quite dirty.
 - ☞ Clean the CD, referring to the section on <CD cleaning> (page 5).

Troubleshooting Guide

? Can't remove disc.

- ✓ The cause is that more than 10 minutes has elapsed since the vehicle ACC switch was turned OFF.
 - ☞ The disc can only be removed within 10 minutes of the ACC switch being turned OFF. If more than 10 minutes has elapsed, turn the ACC switch ON again and press the Eject button.

? The disc won't insert.

- ✓ There's already another disc inserted.
 - ☞ Press the [▲] button and remove the disc.

? Direct Track Search and Direct Disc Search can't be done.

- ✓ Another function is ON.
 - ☞ Turn Random Play or other functions OFF.

? Track Search can't be done.

- ✓ For the discs first or last song.
 - ☞ For each disc, Track Search can't be done in the backward direction for the first song or in the forward direction for the last song.

MP3 source

? Cannot play an MP3.

- ✓ Not conforming to ISO 9660 Level 1/2, Joliet, and Romeo.
 - ☞ Use a medium conforming to ISO 9660 Level 1/2, Joliet, and Romeo.

- ✓ The MP3 has no or invalid file name extension.
 - ☞ Add the ".MP3" extension to the MP3 file name.

- ✓ The media is scratched or dirty.
 - ☞ Clean the media, referring to the section on <CD cleaning> (page 5).

? Noise or no sound generated when an MP3 is played.

- ✓ The file has the MP3 file name extension while it is not an MP3.
 - ☞ Do not use the ".MP3" extension in non-MP3.

? Takes time before the unit starts playing MP3.

- ✓ The medium contains many folders, files, and hierarchical levels.
 - ☞ The unit checks all files on the loaded medium first. If the medium has many files recorded, it may take a long time for the unit before it starts playing MP3.

? Fails to play MP3 in the intended order.

- ✓ The MP3 files were not written by the CD writer in the order in which you wanted them to be played.
 - ☞ Depending on the CD writer, you may be able to set the order in which MP3 files are to be played by writing them onto a medium with their file names beginning with play sequence numbers such as "01" to "99".

? The sound skips when an MP3 is being played.

- ✓ The media is scratched or dirty.
 - ☞ Clean the media, referring to the section on <CD cleaning> (page 5).
- ✓ The recording condition is bad.
 - ☞ Record the media again or use another media.

? Can't display the ID3 tag information correctly.

- ✓ Record is not made in conformity with the ID 3 tag version1.x.
 - ☞ Record in conformity with the ID 3 tag version1.x.

? **The songs in the selected folder aren't played in Folder Select mode.**

- ✓ There are no MP3 in the selected folder.
 - ☞ Make sure there's recorded content in the MP3 media.

? **The MP3 File/Folder search takes time.**

- ✓ Many files are recorded on the media.
 - ☞ When the media directory is complex, the file/folder search can take time.

? **The MP3 related text isn't displayed correctly.**

- ✓ A character is entered that this unit can't display.
 - ☞ For the characters that can be used for MP3 text entry, refer to <Notes on playing MP3> (page 6).

? **The MP3 file time isn't displayed correctly.**

- ✓ ---
 - ☞ There are times when it isn't displayed correctly according to the MP3 recording conditions.

? **The songs in the selected folder aren't played in Folder Select mode.**

- ✓ There are no MP3 in the selected folder.
 - ☞ Make sure there's recorded content in the MP3 media.



If the following situations, consult your nearest service center:

- Even though the disc changer is connected, the Disc Changer source is not ON, with "AUX" showing in the display during the Changer Mode.
- Even though no device (KCA-S210A, CA-C1AX, KDC-CPS89, KDC-CPS87, KDC-CX87, KDC-CPS85, KDC-CX85, KDC-CPS82 or KDC-CX82) is connected, the Auxiliary input is entered when switching modes.

The messages shown below display your systems condition.

- EJECT: No disc magazine has been loaded in the changer. The disc magazine is not completely loaded.
⇨ Load the disc magazine properly.
No CD in the unit.
⇨ Insert the CD.
- No Disc: No disc has been loaded in the disc magazine.
⇨ Load a disc into the disc magazine.
- Error 04: No disc has been loaded in the disc magazine.
⇨ Load a disc into the disc magazine.
The CD is quite dirty. The CD is upside-down. The CD is scratched a lot.
⇨ Clean the CD and load it correctly.
- Error 05: The CD is upside-down.
⇨ Load the CD correctly.
- Blank: Nothing has been recorded on the MD.
- No Track: No tracks are recorded on the MD, although it has a title.
- No Music: Media was played that doesn't have data recorded that the unit can play.
⇨ Use media that has data recorded that the unit can play.
- Error 30: The faceplate of the slave unit being connected to this unit has been removed.
⇨ Replace it.
- Error 77: The unit is malfunctioning for some reason.
⇨ Press the reset button on the unit. If the "Error 77" code does not disappear, consult your nearest service center.

Troubleshooting Guide

Error 99:	<p>Something is wrong with the disc magazine. Or the unit is malfunctioning for some reason.</p> <p>⇨ Check the disc magazine. And then press the reset button on the unit. If the "Error 99" code does not disappear, consult your nearest service center.</p>	 (Blink):	<p>The CD player section is not operating properly.</p> <p>⇨ Reinsert the CD. If the CD cannot be ejected or the display continues to flash even when the CD has been properly reinserted, please switch off the power and consult your nearest service center.</p>
Hold:	<p>The protective circuit in the unit activates when the temperature inside the automatic disc changer exceeds 60°C (140°F), stopping all operation.</p> <p>⇨ Cool down the unit by opening the windows or turning on the air conditioner. As the temperature falls below 60°C (140°F), the disc will start playing again.</p>	 (Blink):	<p>The tape player section is not operating properly.</p> <p>⇨ Reinsert the Tape. If the tape cannot be ejected or the display continues to flash even when the tape has been properly reinserted, please switch off the power and consult your nearest service center.</p>
No Name:	<ul style="list-style-type: none"> • Attempted to display DNPS during the CD play having no disc names preset. • Attempted to display SNPS during the receiving session of the station having no station name preset. 	N/A File:	<p>A MP3 is played with a format that this unit can't support.</p>
No Title:	<p>Attempted to display the disc title or track title while the MD having no MD title is being played.</p>		
No Text:	<ul style="list-style-type: none"> • Attempted to display the disc text or track text while the CD having no CD text is being played. • Attempted to display the ID3 tag while the MP3 having no ID3 tag is being played. 		
Load:	<p>Discs are being exchanged in the Disc changer.</p>		
F-Check:	<p>The unit is reading the data on the disc.</p>		

Specifications

Specifications subject to change without notice.

FM tuner section

Frequency range (50 kHz space)	87.5 MHz – 108.0 MHz
(200 kHz space)	87.9 MHz – 107.9 MHz
Usable sensitivity (S/N = 30 dB)	9.3dBf (0.8 μ V / 75 Ω)
Quieting Sensitivity (S/N = 50 dB)	15.2dBf (1.6 μ V / 75 Ω)
Frequency response (\pm 3.0 dB)	30 Hz – 15 kHz
Signal to Noise ratio (MONO)	70 dB
Selectivity (\pm 400 kHz)	\geq 80 dB
Stereo separation (1 kHz)	40 dB

AM tuner section

Frequency range (9 kHz space)	531 kHz – 1611 kHz
(10 kHz space)	530 kHz – 1700 kHz
Usable sensitivity (S/N = 20dB)	28 dB μ V (25 μ V)

Cassette player section

Tape speed	4.76 cm / sec.
Wow & Flutter (WRMS)	0.08 %
Frequency response (70 μ s)	25 Hz – 22 kHz (\pm 3 dB)
Separation (1 kHz)	40 dB
Signal to Noise ratio	
(Dolby NR OFF)	60 dB
(Dolby B NR ON)	68 dB

CD player section

Laser diode	GaAlAs (λ = 780 nm)
Digital filter (D/A)	8 Times Over Sampling
D/A Converter	1 Bit
Spindle speed	
DPX-MP4050B/ DPX-MP4050/ DPX-MP4030	
	1000 – 400 rpm (CLV 2 times)
DPX-3050B/ DPX-3050/ DPX-3030S/ DPX-3030	
	500 – 200 rpm (CLV)
Wow & Flutter	Below Measurable Limit
Frequency response (\pm 1 dB)	10 Hz – 20 kHz
Total harmonic distortion (1 kHz)	0.01 %
Signal to Noise ratio	93 dB (1 kHz)
Dynamic range	85 dB
Channel separation	85 dB
MP3 Decode (DPX-MP4050B/ DPX-MP4050/ DPX-MP4030)	
	Compliant with MPEG-1/2.0/2.5 Audio Layer-3

Audio section

Maximum output power	45 W \times 4
Full bandwidth power (at less than 1% THD)	22 W \times 4
Preout level / Load	1500 mV / 10 k Ω
Preout impedance	\leq 600 Ω

General

Operating voltage	14.4 V (11 – 16 V allowable)
Current consumption	10.0 A at Rated power
Installation size (W \times H \times D)	178 \times 100 \times 155 mm
Weight	2.3 kg

KENWOOD

Free Manuals Download Website

<http://myh66.com>

<http://usermanuals.us>

<http://www.somanuals.com>

<http://www.4manuals.cc>

<http://www.manual-lib.com>

<http://www.404manual.com>

<http://www.luxmanual.com>

<http://aubethermostatmanual.com>

Golf course search by state

<http://golfingnear.com>

Email search by domain

<http://emailbydomain.com>

Auto manuals search

<http://auto.somanuals.com>

TV manuals search

<http://tv.somanuals.com>