

# KENWOOD

DUAL DIN SIZED CD RECEIVER

# DPX701 DPX501

---

## INSTRUCTION MANUAL

Kenwood Corporation



**Take the time to read through this instruction manual.**

**Familiarity with installation and operation procedures will help you obtain the best performance from your new CD-receiver.**

**For your records**

Record the serial number, found on the back of the unit, in the spaces designated on the warranty card, and in the space provided below. Refer to the model and serial numbers whenever you call upon your Kenwood dealer for information or service on the product.

Model DPX701/DPX501 Serial number \_\_\_\_\_

***US Residence Only***

**Register Online**

Register your Kenwood product at  
**[www.Kenwoodusa.com](http://www.Kenwoodusa.com)**

© B64-3396-00/00 (KW)

# Contents

<b>Safety precautions</b>	<b>4</b>	<b>RDS features</b>	<b>26</b>
<b>Notes</b>	<b>5</b>	Radio Text Scroll	
<b>About CDs</b>	<b>7</b>	PTY (Program Type)	
<b>About AAC, MP3 and WMA</b>	<b>8</b>	Registration of a station as a PTY	
<b>About USB device</b>	<b>10</b>	Program Type preset	
<b>General features</b>	<b>11</b>	<b>CD/USB device/Audio file/External disc control features</b>	<b>28</b>
Power		Playing CD & Audio file	
Selecting the Source		Playing USB device	
Volume		Playing External Disc	
Attenuator		Fast Forwarding and Reversing	
System Q		Track/File Search	
Audio Control		Disc Search/Folder Search	
Adjusting the detail of Audio Control		Direct Track/File Search	
Audio Setup		Direct Disc Search	
Speaker Setting		Track/File/Disc/Folder Repeat	
Subwoofer Output		Scan Play	
TEL Mute		Random Play	
Switching Display		Magazine Random Play	
Display Type Selection		All Random Play	
Graphic part Display Switching		Select mode	
Wallpaper selecting		File Select mode	
Text Selection for Display		Folder Select 1 mode	
Text Display Switching		Folder Select 2 mode	
Font Color Select		Switching the Play mode	
G-Analyzer display Switching		Letter Seek	
<b>Tuner features</b>	<b>24</b>	Text/Title Scroll	
Tuning		<b>HD Radio control features</b>	<b>35</b>
Tuning Mode		About HD Radio	
Direct Access Tuning		Tuning	
Station Preset Memory			
Auto Memory Entry			
Preset Tuning			

---

**Menu system****36**

Menu System  
Activating Security Code  
Deactivating Security Code  
Touch Sensor Tone  
Manual Clock Adjustment  
Date Adjustment  
Date Mode  
Synchronize Clock  
Indirect Lighting  
Display Illumination Control  
Dimmer  
Switching preout  
Built-in Amp Setting  
G-Counter Level set  
G-Analyzer Reset  
G-Analyzer Calibration setup  
G-Analyzer Horsepower Gauge setup  
G-Analyzer Horsepower Analysis  
G-Analyzer Stop Watch  
Dual Zone System Setting  
B.M.S. (Bass Management System)  
B.M.S. Frequency Offset  
AMP Control  
Traffic Information  
CRSC (Clean Reception System Circuit)  
Receive mode Setting  
SIRIUS ID (ESN) display  
Station/Disc Naming (SNPS/DNPS)  
Auxiliary Input Display Setting  
Text Scroll  
Built-in Auxiliary input Setting  
CD Read Setting  
Voice Index  
ACDrive firmware version display  
Unique ID display  
Audio Preset Memory  
Audio Preset Recall  
Demonstration mode Setting

---

**Basic Operations of remote control****50**

---

**Accessories/ Installation Procedure****53**

---

**Connecting Wires to Terminals****54**

---

**Installing the Escutcheon****55**

---

**Installation****56**

---

**Removing the Unit****58**

---

**Troubleshooting Guide****59**

---

**Specifications****63**

---

The "AAC" logo is trademark of Dolby Laboratories.

## Safety precautions

### **▲ WARNING**

#### **To prevent injury while using this product, take the following safety precautions:**

- To prevent a short circuit and possible fire, never put any metallic objects (such as coins or metal tools) inside the product.
- If you are the driver and your vehicle is moving, do not watch the product's display or use its controls for an extended period.
- Do not use this product in any way that prevents you from driving safely.
- Follow all driving laws and use common sense when using this product.

#### **NOTE:**

- Like your vehicle's speedometer, G-Analyzer is no more than a measuring function. The HP or G value measured by this unit may not be completely accurate due to its simplified method of measurement. The G-Analyzer is only for reference and should not be used to confirm the horsepower specifications of your vehicle. (DPX701 only)
- Mounting and wiring this product requires skills and experience. For safety's sake, leave the mounting and wiring work to professionals.

### **▲ CAUTION**

#### **To prevent damage to the machine, take the following precautions:**

- Make sure to ground the unit to a negative 12V DC power supply.
- Do not install the unit in a spot exposed to direct sunlight or excessive heat or humidity. Also avoid places with too much dust or the possibility of water splashing.
- When replacing a fuse, only use a new fuse with the prescribed rating. Using a fuse with the wrong rating may cause your unit to malfunction.
- Do not use your own screws. Use only the screws provided. If you use the wrong screws, you could damage the unit.

#### **Do Not Load 3-in. CDs in the CD slot**

If you try to load a 3 in. CD with its adapter into the unit, the adapter might separate from the CD and damage the unit.

#### **About CD players/disc changers connected to this unit**

Kenwood disc changers/ CD players released in 1998 or later can be connected to this unit.

Refer to the catalog or consult your Kenwood dealer for connectable models of disc changers/ CD players.

Note that any Kenwood disc changers/ CD players released in 1997 or earlier and disc changers made by other makers cannot be connected to this unit. Connecting unsupported disc changers/CD players to this unit may result in damage.

Set the "O-N" Switch to the "N" position for the applicable Kenwood disc changers/ CD players.

The functions you can use and the information that can be displayed may differ depending on the models being connected.



- You can damage both your unit and the CD changer if you connect them incorrectly.

#### **Lens Fogging**

When you turn on the car heater in cold weather, dew or condensation may form on the lens in the CD player of the unit. Called lens fogging, this condensation on the lens may not allow CDs to play. In such a situation, remove the disc and wait for the condensation to evaporate. If the unit still does not operate normally after a while, consult your Kenwood dealer.

#### **NOTE**

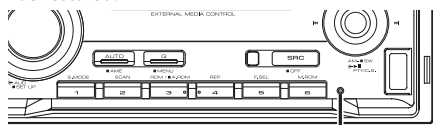
This Class B digital apparatus complies with Canadian ICES-003.

## Notes

- No USB device comes with this unit. You need to purchase a commercially available USB device. For the types of available USB devices, refer to <About USB device> (page 10).
- If you experience problems during installation, consult your Kenwood dealer.
- When you purchase optional accessories, check with your Kenwood dealer to make sure that they work with your model and in your area.
- We recommend the use of <Activating Security Code> (page 37) to prevent theft.
- The characters conforming to ISO 8859-1 character set can be displayed. (DPX701 only)
- The characters which can be displayed by this unit are A-Z 0-9 @ " ' % & \* + - = , . / \ < > [ ] ( ) ; : ^ - { } | ~ . (DPX501 only)
- The RDS feature won't work where the service is not supported by any broadcasting station.
- There are places in this manual where lit indicators are described; however, the only time an indicator will light is in the following settings. When Indicator is selected as mentioned in <Text Display Switching> (page 19). (DPX701 only)
- The illustrations of the display and the panel appearing in this manual are examples used to explain more clearly how the controls are used. Therefore, what appears on the display in the illustrations may differ from what appears on the display on the actual equipment, and some of the illustrations on the display may be inapplicable.

### How to reset your unit

- If the unit fails to operate properly, press the Reset button. The unit returns to factory settings when the Reset button is pressed.
- Remove the USB device before pressing the Reset button. Pressing the Reset button with the USB device installed can damage the data contained in the USB device. For how to remove the USB device, refer to <Playing USB device> (page 28).
- Press the Reset button if the disc auto changer fails to operate correctly. Normal operation should be restored.



Reset button

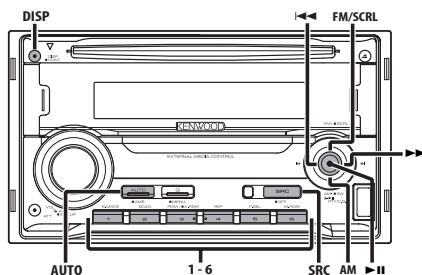
### Before using this unit for the first time

This unit is initially set on the Demonstration mode. When using this unit for the first time, cancel the <Demonstration mode Setting> (page 48).

### About SIRIUS Satellite radio tuner

Refer to the instruction manual of SIRIUS Satellite radio tuner KTC-SR901/SR902/SR903 (optional accessory) when connected, for the operation method.

- Refer to the sections of A models for operations. (DPX701 : without <Category and Channel Search> function).



In SIRIUS tuner source

### Category and Channel Search

Selecting the channel and category you want to receive.

**1 Enter Category and Channel Search mode**  
Press the Control knob.

**2 Select the Category**  
Push the Control knob towards [FM] or [AM].



- It is the item when the category of Middle text display part is selected.

**3 Select the Channel**  
Push the Control knob towards [◀◀] or [▶▶].



- You cannot Channel search until the category information is acquired.

**Canceling Category and Channel Search mode**

Press the Control knob.

## Notes

### About DAB Tuner control

Refer to [A] group on the Instruction manual of DAB Tuner KTC-9090DAB (optional accessory) for the control method of DAB Tuner function.

However, the following control methods of the function for this unit may be differed from the Instruction manual; therefore, refer to the following supplemental instruction.

#### <Auto Ensemble Memory Entry>

1. Select the preset band for Auto Ensemble Memory Entry.
2. Press the [AME] button for at least 2 seconds. Open Auto Ensemble Memory Entry. After storing in the memory finishes, the number of the pre-set buttons and the ensemble label are displayed.

#### <Searching by programme type and language> and <Languages to be displayed> in

#### <Programme Type (PTY) Function>

At the operation to press [DISP] button, use [AUTO] button instead.

### About "Media Manager" of PC application attached to DPX701/DPX501

- "Media Manager" is recorded in the CD-ROM attached to this unit.
- Refer to the attached installation manual for the installation method of "Media Manager".
- Refer to the user's manual recorded in the installation CD-ROM and Help of "Media Manager" for the operation method of "Media Manager".
- The unit can play CD/ USB device (hereafter called "ACDrive media") created by "Media Manager".
- Refer to the following site for the updated information of "Media Manager".  
<http://www.kenwood.mediaanager.jp>
- Contact Kenwood for the function and operation of the "Media Manager".
- "Media Manager" is a product of PhatNoise.

### Cleaning the Unit

If the faceplate of this unit is stained, wipe it with a dry soft cloth such as a silicon cloth.

If the faceplate is stained badly, wipe the stain off with a cloth moistened with neutral cleaner, then wipe it again with a clean soft dry cloth.



- Applying spray cleaner directly to the unit may affect its mechanical parts. Wiping the faceplate with a hard cloth or using a volatile liquid such as thinner or alcohol may scratch the surface or erase characters.

### ▲CAUTION

Use of controls or adjustments or performance of procedures other than those specified herein may result in hazardous radiation exposure.

In compliance with Federal Regulations, following are reproductions of labels on, or inside the product relating to laser product safety.

Kenwood Corporation  
2967-3, ISHIKAWA-MACHI,  
HACHIOJI-SHI  
TOKYO, JAPAN

KENWOOD CORP. CERTIFIES THIS EQUIPMENT  
CONFORMS TO DHHS REGULATIONS NO.21 CFR  
1040. 10, CHAPTER 1, SUBCHAPTER J.

Location : Bottom Panel

### FCC WARNING

This equipment may generate or use radio frequency energy. Changes or modifications to this equipment may cause harmful interference unless the modifications are expressly approved in the instruction manual. The user could lose the authority to operate this equipment if an unauthorized change or modification is made.

### NOTE

This equipment has been tested and found to comply with the limits for a Class B digital device, pursuant to Part 15 of the FCC Rules. These limits are designed to provide reasonable protection against harmful interference in a residential installation. This equipment may cause harmful interference to radio communications, if it is not installed and used in accordance with the instructions. However, there is no guarantee that interference will not occur in a particular installation. If this equipment does cause harmful interference to radio or television reception, which can be determined by turning the equipment off and on, the user is encouraged to try to correct the interference by one or more of the following measures:

- Reorient or relocate the receiving antenna.
- Increase the separation between the equipment and receiver.
- Connect the equipment into an outlet on a circuit different from that to which the receiver is connected.
- Consult the dealer or an experienced radio/TV technician for help.

## About CDs

### Handling CDs

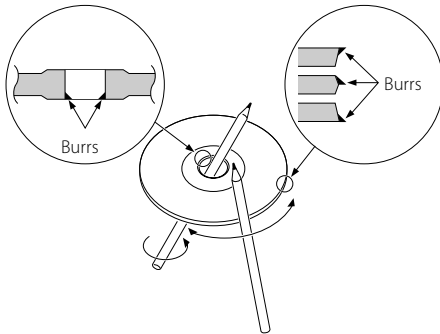
- Do not touch the recording surface of the CD.



- CD-R and CD-RW are easier to damage than a normal music CD. Use a CD-R or a CD-RW after reading the caution items on the package etc.
- Do not stick tape etc. on the CD, or use a CD with tape stuck on it.

### When using a new CD

If the CD center hole or outside rim has burrs, use the CD only after removing the burrs with a ballpoint pen etc.

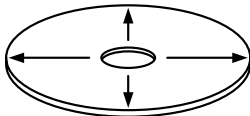


### CD accessories

Do not use disc type accessories.

### CD cleaning

Clean from the center of the disc and move outward.

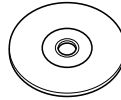


### Removing CDs

When removing CDs from this unit, pull them out horizontally.

### CDs that cannot be used

- CDs that are not round cannot be used.



- CDs with coloring on the recording surface or CDs that are dirty cannot be used.
- This unit can only play the CDs with



This unit may not correctly play discs which do not have the mark.

- You cannot play a CD-R or CD-RW that has not been finalized. (For the finalization process refer to

# About AAC, MP3 and WMA

The playable AAC/MP3/WMA file (hereafter called Audio file) and the media format has the following limitation. The Audio file, which is not conforming to the specification, may not play normally, or the file and folder names may not display correctly.

## Playable Audio file

- AAC, MP3, WMA



- Attach the correct extension for the Audio file (AAC: ".M4A", MP3: ".MP3", WMA: ".WMA").
- Do not attach the extensions to files other than the Audio file. If the extension is attached, the file, which is not the Audio file, will play and outputs a loud noise, causing damage to the speaker.
- The files with copy protection cannot be played.
- Audio files cannot be played depending on the encoding software setting, USB device type, and/or recording conditions.
- The unit may not be compatible with upgrade of compression format standard and additional specifications.
- For details on the formats used for USB devices and restrictions, refer to <http://www.kenwood.mediamanager.jp/>.

## Playable AAC file

- ".m4a" file encoded by AAC-LC format.  
Refer to <http://www.kenwood.mediamanager.jp> for the details.

## Playable MP3 file

- MPEG 1/2 Audio Layer 3 file
- Transfer bit rate: 8-320 kbps
- Sampling frequency: 16, 22.05, 24, 32, 44.1, 48 kHz

## Playable WMA file

- The file in accordance with Windows Media Audio (Except for the file for Windows Media Player 9 or after which applies the new functions)
- Transfer bit rate: 48-192 kbps
- Sampling frequency: 32, 44.1, 48 kHz

## Playable Storage media

- CD-ROM, CD-R, CD-RW
- USB device



- CD-RW discs which are quick formatted by the writing software cannot be used.
- When recording to the maximum CD-R/RW media capacity at once, the writing software is set to "Disc at once".
- For details on the available USB devices, refer to <About USB device> (page 10).

## Playable CD-R/RW format

- ISO 9660 Level 1/2
- Joliet
- Romeo
- Long file name.

## Playable file format of USB device

- For the formats supported by USB devices, refer to <http://www.kenwood.mediamanager.jp/>.

## The maximum number of characters for display (CD-R/RW)

File/Folder name: 128 characters

MP3 ID3 Tag/ WMA Contents property:  
30 characters

AAC song information: 60 characters



- File/Folder name is the number of the characters including the extensions.
- This unit can display the following versions of MP3 ID3 tag: version 1.0/ 1.1/ 2.2/ 2.3
- AAC ID3 Tag cannot be displayed.

## Limitation of structure for the file and the folder (CD-R/RW)

- Maximum number of directory levels: 8
- Maximum number of folders: 100
- Maximum number of files per folder: 4096

## About partition of the USB device

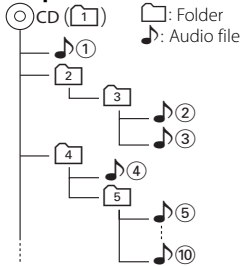
- While using the USB device, virtual folders are created to control the partition in the USB device. These folders appear in the first level (root) directory as "#:". "#" is an alphabet to identify each partition.
- Even when the USB device does not have partition, "A:" folder is created, and audio files are controlled inside this folder.



## Playing order of the Audio file

- The Audio file plays in the order which is written by CD writing software. You may be able to set the playing order by writing the play sequence numbers such as "01" to "99" at the beginning of the file name.
- Audio files are played in the order the files are written. You can specify the order of playback by numbering files in a folder and writing them by folder. (USB device)

### Example



### • Playing order

Playing order after ① play.



## About USB device

---

### Notes on Use of the USB Device

This unit can play audio files stored in the flash memory and digital audio player that have a USB port (these devices are referred to as USB devices in this document).

The following restrictions are placed on the types and usage of available USB devices:

### Available USB Devices

- USB devices belonging to the USB mass storage class.
- USB devices whose maximum current consumption is 500 mA or less.  
For the supported formats and USB device types, refer to <http://www.kenwood.mediamanager.jp/>.



#### • USB Mass Storage Class:

- USB devices that the PC can recognize as an external storage without using any special driver or application software.
- Contact the sales agent as to whether your USB device conforms to the USB mass storage class specs.
- Using an unsupported USB device can result in abnormal playback or display of the audio file.  
Even if you use the USB device conforming to the above specs, audio files cannot be played normally depending on the type or condition of the USB device.

### About the Connection of the USB Device

- Do not directly connect the USB device to the USB connector on the panel. Connect it using a cable
- When connecting the USB drive, usage of the supplied USB cable is recommended.  
Normal playback is not guaranteed when a cable other than the USB compatible cable is used.  
Connecting a cable whose total length is longer than 5 m can result in abnormal playback.



- You cannot connect a USB device via a USB hub.



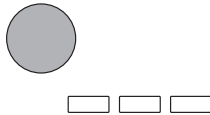
- Install the USB device in the place where it will not prevent you from driving your vehicle properly.
- Do not leave the USB device in the vehicle for a long time. It can deform or damage due to direct sunlight, high temperature, etc.
- Take backups of the audio files used with this unit.  
The files can be erased depending on the operating conditions of the USB device.  
We shall have no compensation for any damage arising out of erasure of the stored data.
- Leave the cap on when not using an USB device.

### About USB Device Operation

- USB device operation is the same as audio file operation unless otherwise some notice is indicated.
- USB source is recognized as CD source on the connected unit.

# General features

---



## Power

---

### Turning ON the Power

Press the [SRC] button.

### Turning OFF the Power

Press the [SRC] button for at least 1 second.

## Selecting the Source

---

Press the [SRC] button.

Source required	Display
SIRIUS tuner (Optional accessory)	"SIRIUS"
Tuner or HD Radio (Optional accessory)	"TUNER" or "HD Radio"/ "HD RADIO"
USB device	"USB"
CD	"Compact Disc"/ "CD"
External disc (Optional accessory)	"CD Changer"/ "CD CH"
Auxiliary input	"AUX"
Auxiliary input (Optional accessory)	"AUX EXT"
Standby (Illumination only mode)	"STANDBY"

## Volume

---

### Increasing Volume

Turn the [VOL] knob clockwise.

### Decreasing Volume

Turn the [VOL] knob counterclockwise.

## Attenuator

---

Turning the volume down quickly.

### Press the [ATT] button.

Each time you press the button, the Attenuator turns ON and OFF.

When the Attenuator is ON, "ATT" is displayed.

# General features

## System Q

Selecting the best sound setting preset for different types of music.

**1 Select the source to set**  
Press the [SRC] button.

**2 Select the Sound type**  
Press the [Q] button.

When you press the button once, the current sound setting is displayed.

Each time you press the button, the sound setting alternates.

Sound setting	Display
User memory	"USER"
Rock	"ROCK"
Pops	"POPS"
Easy	"EASY"
Top 40	"TOP 40"
Jazz	"JAZZ"
Natural	"NATURAL"



- User memory: The values set on the <Audio Control> (page 12).
- Change each setting value with the <Speaker Setting> (page 14).  
First, select the speaker type with the Speaker setting.

## Audio Control

**1 Select the source to adjust**  
Press the [SRC] button.

**2 Enter Audio Control mode**  
Press the [VOL] knob.

**3 Select the Basic Audio item to adjust**  
Press the [VOL] knob.

Each time you press the knob, the item to be adjusted alternates between the items shown in the table below.

**4 Adjust the Basic Audio item**  
Turn the [VOL] knob.

Adjustment Item	Display	Range
Rear Volume *1	"Rear Volume"/ "R-VOL"	0 — 35

Subwoofer level*2,3,4	"Sub-W Level"/ "SW L"	-15 — +15
Bass level*5	"Bass Level"/ "BAS L"	-8 — +8
Middle level*5	"Middle Level"/ "MID L"	-8 — +8
Treble level*5	"Treble Level"/ "TRE L"	-8 — +8
Balance	"Balance"/ "BAL" Left 15 — Right 15	
Fader*4	"Fader"/ "FAD" Rear 15 — Front 15	

*Exit Audio Control mode (Volume control mode)*



- \*1 You can control this item when "2 ZONE"/ "2ZON" of <Audio Setup> (page 13) is set to "ON".
- \*2 You can control this item when <Switching preout> (page 39) is set to "SWPRE SW". (DPX501 only)
- \*3 You can control this item when <Subwoofer Output> (page 14) is set to "SW ON".
- \*4 You can control this item when "2 ZONE"/ "2ZON" of <Audio Setup> (page 13) is set to "OFF".
- \*5 You can adjust these items in detail. Refer to <Adjusting the detail of Audio Control>(Page12). (Function of the DPX701)
- \*5 Source tone memory: Puts the set up value in the memory per source. (Detail Audio item is included)

**5 Exit Audio Control mode**  
Press any button.

Press a button other than the [VOL] knob and [ATT] button.

*Function of the DPX701*

## Adjusting the detail of Audio Control

Among the Basic Audio items, you can adjust the Bass level, Middle level, and Treble level in detail.

**1 Select the Basic Audio item**

Select the desired item to be set in detail from followings;

- Bass level
- Middle level
- Treble level

For how to select Basic Audio items, see <Audio Control> (page 12).

**2 Enter Detail adjustment mode of Audio Control**

Press the [VOL] knob for at least 1 second.

### 3 Select the Detail Audio item to adjust

Press the [VOL] knob.

Each time you press the knob, the item to be adjusted alternates between the items shown in the table below.

### 4 Adjust the Detail Audio item

Turn the [VOL] knob.

#### Bass level

Adjustment Item	Display	Range
Bass Center Frequency	"Bass FRQ"	40/50/60/70/80/100/120/150 Hz
Bass Q Factor	"Bass QFactor"	1.00/1.25/1.50/2.00
Bass Extend	"Bass EXT"	OFF/ON

#### Middle level

Adjustment Item	Display	Range
Middle Center Frequency	"Middle FRQ"	0.5/1.0/1.5/2.0 kHz
Middle Q Factor	"Middle QFactor"	1.00/2.00

#### Treble level

Adjustment Item	Display	Range
Treble Center Frequency	"Treble FRQ"	10.0/12.5/15.0/17.5 kHz

### 5 Exit the Detail Audio Control mode

Press the [VOL] knob for at least 1 second.



- When you set the Bass Extend to ON, low frequency response is extended by 20%.
- You can exit the Audio Control mode at anytime by pressing any button except for [VOL] and [ATT] buttons.

## Audio Setup

Setting the Sound system, such as Cross over Network.

### 1 Select the source to adjust

Press the [SRC] button.

### 2 Enter Audio Setup mode

Press the [VOL] knob for at least 1 second.

### 3 Select the Audio Setup item to adjust

Press the [VOL] knob.

Each time you press the knob, the item to be adjusted alternates between the items shown in the table below.

### 4 Setup the Audio item

Turn the [VOL] knob.

Adjustment Item	Display	Range
Front High Pass Filter* <sup>2</sup>	"HPF-F Fc"/ "HPF"	Through/40/60/80/100/120/ 150/180/220 Hz
Rear High Pass Filter* <sup>2</sup>	"HPF-R Fc"/ "HPR"	Through/40/60/80/100/120/ 150/180/220 Hz
Low Pass Filter* <sup>1,2</sup>	"LPF-SW"/ "LPF"	50/60/80/100/120/ Through Hz
Subwoofer Phase* <sup>1,2,3</sup>	"SW Phase"/ "PHAS"	Reverse (180°)/ Normal (0°)
Volume offset	"Vol-Offset"/ "V-OFF"	-8 — ±0
Loudness	"LOUD"	OFF/ON
Dual Zone System	"2 ZONE"/ "2ZON"	OFF/ON



- Volume offset: Sets each source's volume as a difference from the basic volume.
- Loudness: Compensates for low and high tones during low volume.
- \*<sup>1</sup> You can control this item when <Switching preout> (page 39) is set to "SWPRE SW". (DPX501 only)
- \*<sup>1</sup> You can control this item when <Subwoofer Output> (page 14) is set to "SW ON".
- \*<sup>2</sup> You can control this item when "2 ZONE"/ "2ZON" of <Audio Setup> (page 13) is set to "OFF".
- \*<sup>3</sup> You can control this item when Low Pass Filter is not set to Through.
- Dual Zone System  
Main source and sub source (Auxiliary input) output Front channel and Rear channel separately.
  - Set up the channel of sub source by <Dual Zone System Setting> (page 42).
  - Select Main source by [SRC] button.
  - Adjust the volume of Front channel by [VOL] knob.
  - Adjust the volume of Rear channel by <Audio Control> (page 12).
  - The Audio Control has no effect on sub source.
- You can use the Dual Zone System with the internal auxiliary input.

### 5 Exit Audio Setup mode

Press the [VOL] knob for at least 1 second.

# General features

## Speaker Setting

Fine-tuning so that the System Q value is optimal when setting the speaker type.

### 1 Enter Standby

Press the [SRC] button.

Select the "STANDBY" display.

### 2 Enter Speaker Setting mode

Press the [VOL] knob.

"SP SEL" / "SP" is displayed.

### 3 Select the Speaker type

Turn the [VOL] knob.

Each time you turn the knob, the setting alternates between the settings shown in the table below.

Speaker type	Display
OFF	"OFF" / "SP OFF"
For 5 & 4 in. speaker	"5/4 inch" / "SP 5/4"
For 6 & 6x9 in. speaker	"6x9/6 inch" / "SP 6*9/6"
For the OEM speaker	"O.E.M." / "SP OEM"

### 4 Exit Speaker Setting mode

Press the [VOL] knob.

## Subwoofer Output

Turning the Subwoofer output ON or OFF.

**Push the Control knob toward [AM] for at least 2 seconds.**

Each time you push the knob, Subwoofer output switches ON and OFF.

When it is ON, "SW ON" is displayed.

### **In Audio file source**

<b>Information</b>	<b>Display</b>
Song title & Artist name	"TITLE"*
Album name & Artist name	"ALBUM"*
Folder name	"FOLDER"
File name	"FILE"
Track number & Play time	"P-TIME"
Clock	"CLOCK"

### **In HD Radio source**

<b>Information</b>	<b>Display</b>
Station name	"ST NAME"*
Song title/ Artist name/ Album name/ Genre	"TITLE"*
Frequency	"FREQ"
Clock	"CLOCK"

### **In SIRIUS tuner source**

<b>Information</b>	<b>Display</b>
Channel name	"CH NAME"
Song title	"SONG"
Artist name	"ARTIST"
Composer name	"COMPOSER"
Category name	"CATEGORY"
Label name	"LABEL"
Comment	"COMMENT"
Band & Channel number	"CH NUM"
Clock	"CLOCK"

### **In Standby/ Auxiliary input source**

<b>Information</b>	<b>Display</b>
Source name	"SRC NAME"
Clock	"CLOCK"



- \* If the contents of the information cannot be displayed, Play time or Frequency is displayed.
- If the contents of the information for the SIRIUS tuner source cannot be displayed, channel number is displayed.
- Track number at Audio file displays the last 3 digits when it exceeds 1000 songs.
- When you select the clock display, the display setting of each source will be changed to the clock display.


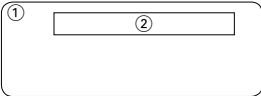
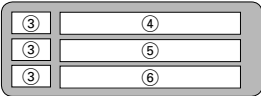
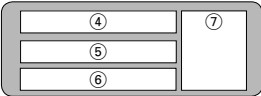

Function of the DPX701

## Display Type Selection

Changing the display mode.

**Press the [DISP] button.**

Each time you press the button, the display mode alternates between the display modes shown in the table below.

Display Mode	Display
Display Type A	
Display Type B	
Display Type C	
Display Type D	
Display Type E	

- ① Graphic display part
- ② Text display part
- ③ Text icon display part
- ④ Upper text display part
- ⑤ Middle text display part
- ⑥ Lower text display part
- ⑦ Source icon display part
- ⑧ G-Analyzer display part



- The indicator is displayed when the display type is set to Display Type C or Display Type D.
- To change the information by the Display Type, refer to the page on the following table for the methods to alternate by the Display Type.

Display Type	A	B	C	D	E
Graphic ①	16	16	—	—	—
Text ②	—	18	—	—	—
Upper ④	—	—	20	20	—
Middle ⑤	—	—	20	20	—
Lower ⑥	—	—	22	22	—

**Switching between graphic display part and text display part when in Display Type B mode.**

**Press the [DISP] button.**

Function of the DPX701  
Display Type A/ Display Type B

## Graphic part Display Switching

Changing the graphic Display.

### 1 Select the display Type

**Press the [DISP] button.**

Select the Display Type A/ Display Type B.

### 2 Enter graphic display select mode

**Display Type A : Press the [DISP] button for at least 1 second.**

**Display Type B : After pressing the [DISP] button for more than 1 second to text selection mode. Press the [DISP] button again.**

### 3 Select the graphic part display

**Push the Control knob towards [◀◀] or [▶▶].**

Each time you push the knob, the graphic display alternates between the displays shown in the table below.

#### Graphic display

Movie 1

Movie 2

Wallpaper

### 4 Exit graphic display select mode

**Press the [DISP] button.**



- The setting of this function is available while Display Type A/ Display Type B is selected for the Display mode.



Function of the DPX701  
Display Type A/ Display Type B

## **Wallpaper selecting**

---

Selecting a wallpaper to display when Display Type is set to Display Type A/ Display Type B.

### **1 Select the wallpaper display**

Refer to <Graphic part Display Switching> (page 16).

### **2 Select the wallpaper**

#### **Display the wallpapers one after another**

Press the Control knob.

Each time you press the button, the Wallpaper scan is turned ON and OFF.

When scan is ON, "SCAN" is displayed.

When scan is ON, each wallpaper is displayed every several seconds.

#### **Select wallpaper manually**

##### **1 Turn the wallpaper scan OFF.**

Press the Control knob.

Each time you press the button, the Wallpaper scan is turned ON and OFF.

##### **2 Select the wallpaper.**

Push the Control knob towards [FM] or [AM].

Each time you push the knob, the Wallpaper changes.

### **3 Exit Display Control mode**

Press the [DISP] button.

# General features

Function of the DPX701

Display Type B

## Text Selection for Display

Selecting the text display.

### 1 Select the display Type

Press the [DISP] button.

Select the Display Type B.

### 2 Enter text select mode

Press the [DISP] button for at least 1 second.

### 3 Select the text

Push the Control knob towards [◀◀◀] or

[▶▶▶].

#### In Tuner source

Information	Display
Station name or Program Service name	"SNPS"*
Radio text or Program Service name (FM)	"Radio Text"*
Frequency	"Frequency"
Clock	"Clock"
Date	"Date"

#### In CD & External disc source

Information	Display
Disc title	"Disc Title"*
Track title	"Track Title"*
Track number & Play time	"P-Time"
Disc name	"DNPS"
Clock	"Clock"
Date	"Date"

#### In Audio file source

Information	Display
Song title & Artist name	"Title/Artist"*
Album name & Artist name	"Album/Artist"*
Folder name	"Folder Name"
File name	"File Name"
Play time & File number	"P-Time"
Clock	"Clock"
Date	"Date"

#### In HD Radio source

Information	Display
Station name	"Station Name"*
Title	"Title"*
Frequency	"Frequency"
Clock	"Clock"
Date	"Date"

#### In Standby/ Auxiliary input source

Information	Display
Source name	"Source Name"
Clock	"Clock"
Date	"Date"

#### In SIRIUS tuner source

Information	Display
Channel Name	"Channel Name"
Song Title	"Song Title"
Artist Name	"Artist Name"
Composer name	"Composer Name"
Category Name	"Category Name"
Label Name	"Label Name"
Comment	"Comment"
Band & Channel Number	"Channel Number"
Clock	"Clock"
Date	"Date"

### 4 Exit text select mode

Press the [DISP] button for at least 1 second.



- \* If the contents of the information cannot be displayed, Play time or Frequency is displayed.
- If the contents of the information for the SIRIUS tuner source cannot be displayed, channel number is displayed.
- When LX-AMP is connected, the item setup by the Display mode of LX-AMP is displayed.
- Track number at Audio file displays the last 3 digits when the track number exceeds 1000 songs.

Function of the DPX701  
Display Type C/ Display Type D

## Text Display Switching

Changing the text display.

### 1 Select the display Type

Press the [DISP] button.

Select the Display Type C/Display Type D.

### 2 Enter text select mode

Press the [DISP] button for at least 1 second.

### 3 Select the text display part

Push the Control knob towards [FM] or [AM].

The cursor (➡) moves to the selected text display part.

#### Select the text

Push the Control knob towards [◀◀] or

[▶▶].

Refer to the table described later for setting items.

### 4 Exit text select mode

Press the [DISP] button.



- Same information cannot be displayed in Upper text display part, Middle text display part and Lower text display part. However, the blank display is able to have multiple selections.
- Track number at Audio file displays the last 3 digits when the track number exceeds 1000 songs.
- If the contents of the information for the SIRIUS tuner source cannot be displayed, channel number is displayed.
- When LX-AMP is connected, the item setup by the Display mode of LX-AMP is displayed.

# General features

## The text display in the Upper text display part

### In Tuner source

Information	Display
Station name or Program Service name	"SNPS"*
Radio text or Program Service name (FM)	"Radio Text"*
Frequency	"Frequency"
Clock	"Clock"
Date	"Date"

### In CD & External disc source

Information	Display
Disc title	"Disc Title"*
Track title	"Track Title"*
Track number & Play time	"P-Time"
Disc name	"DNPS"
Clock	"Clock"
Date	"Date"

### In Audio file source

Information	Display
Song title & Artist name	"Title/Artist"*
Album name & Artist name	"Album/Artist"*
Folder name	"Folder Name"
File name	"File Name"
Play time & File number	"P-Time"
Clock	"Clock"
Date	"Date"

### In Standby/ Auxiliary input source

Information	Display
Source name	"Source Name"
Clock	"Clock"
Date	"Date"

### In HD Radio source

Information	Display
Station name	"Station Name"*
Title	"Title"*
Frequency	"Frequency"
Clock	"Clock"
Date	"Date"

## In SIRIUS tuner source

Information	Display
Channel Name	"Channel Name"
Song Title	"Song Title"
Artist Name	"Artist Name"
Composer name	"Composer Name"
Category Name	"Category Name"
Label Name	"Label Name"
Comment	"Comment"
Band & Channel Number	"Channel Number"
Clock	"Clock"
Date	"Date"



- \* If the contents of the information cannot be displayed, Play time or Frequency is displayed.

## The text display in the Middle text display part

### In Tuner source

Information	Display
Clock	"Clock"
Date	"Date"
Blank	"Blank"
Radio text (FM)	"Radio Text"*

### In CD & External disc source

Information	Display
Clock	"Clock"
Date	"Date"
Blank	"Blank"
Disc title	"Disc Title"*
Track title	"Track Title"*
Disc name	"DNPS"

### In Audio file source

Information	Display
Clock	"Clock"
Date	"Date"
Blank	"Blank"
Song title & Artist name	"Title/Artist"*
Album name & Artist name	"Album/Artist"*
Folder name	"Folder Name"
File name	"File Name"

### ***In Standby/ Auxiliary input source***

<b>Information</b>	<b>Display</b>
Clock	"Clock"
Date	"Date"
Blank	"Blank"

### ***In HD Radio source***

<b>Information</b>	<b>Display</b>
Clock	"Clock"
Date	"Date"
Blank	"Blank"
Title	"Title"*

### ***In SIRIUS tuner source***

<b>Information</b>	<b>Display</b>
Clock	"Clock"
Date	"Date"
Blank	"Blank"
Channel Name	"Channel Name"
Song Title	"Song Title"
Artist Name	"Artist Name"
Composer name	"Composer Name"
Category Name	"Category Name"
Label	"Label Name"
Comment	"Comment"



- \* If the contents of the information cannot be displayed, Kenwood Logo is displayed. However, in HD Radio source, the display becomes blank.

# General features

## The text display in the Lower text display part

### In Tuner source

Information	Display
Indicator	"Status"
Clock	"Clock"
Date	"Date"
Blank	"Blank"
Radio text (FM)	"Radio Text"*

### In CD & External disc source

Information	Display
Indicator	"Status"
Clock	"Clock"
Date	"Date"
Blank	"Blank"
Disc title	"Disc Title"*
Track title	"Track Title"*
Disc name	"DNPS"

### In Audio file source

Information	Display
Indicator	"Status"
Clock	"Clock"
Date	"Date"
Blank	"Blank"
Song title & Artist name	"Title/Artist"*
Album name & Artist name	"Album/Artist"*
Folder name	"Folder Name"
File name	"File Name"

### In Standby/ Auxiliary input source

Information	Display
Indicator	"Status"
Clock	"Clock"
Date	"Date"
Blank	"Blank"

### In HD Radio source

Information	Display
Indicator	"Status"
Clock	"Clock"
Date	"Date"
Blank	"Blank"
Title	"Title"*

### In SIRIUS tuner source

Information	Display
Indicator	"Status"
Clock	"Clock"
Date	"Date"
Blank	"Blank"
Channel Name	"Channel Name"
Song Title	"Song Title"
Artist Name	"Artist Name"
Composer name	"Composer Name"
Category Name	"Category Name"
Label	"Label Name"
Comment	"Comment"



- \* If the contents of the information cannot be displayed, indicator is displayed. However, in HD Radio source, the display becomes blank.

Function of the DPX701  
Display Type B/ Display Type C/ Display Type D

## Font Color Select

Selecting the display font color.

### 1 Enter text select mode

Display type B : Refer to <Text Selection for Display> (page 18).

Display type C/D : Refer to <Text Display Switching> (page 19).

### 2 Switch from text selection to Font Color selection

Press the Control knob.

### 3 Select the text display part

Select the row (Display Type C/ Display Type D only)

Push the Control knob towards [FM] or [AM].

The cursor (➡) moves to the selected text display part.

Select the Font Color

Push the Control knob towards [◀◀] or [▶▶].

### 4 Exit Font Color select mode

Press the Control knob.



- When you selected the Display Type B display, select an easy viewable font color.
- The "Status" item of Display type C/D can be set; however, the actual display color does not change.

## Function of the DPX701 Display Type E

### G-Analyzer display Switching

Alternates G-Analyzer display when the Display type is set to Display Type E. (G: gravity)



- Before alternating G-Analyzer display, you are required to setup <G-Counter Level set> (page 39), <G-Analyzer Calibration setup> (page 40) and <G-Analyzer Horsepower Gauge setup> (page 40).

#### 1 Select the display mode

Press the [DISP] button.

Select the Display Type E.

#### 2 Enter G-Analyzer display select mode

Press the [DISP] button for at least 1 second.

#### 3 Select the G-Analyzer display

Push the Control knob towards [◀◀] or [▶▶].

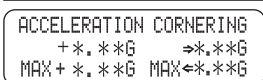
#### G-Force Sensor display



G- Graphic display



G-Meter display  
(Graphic)



G-Meter display  
(Text)



G-Counter display

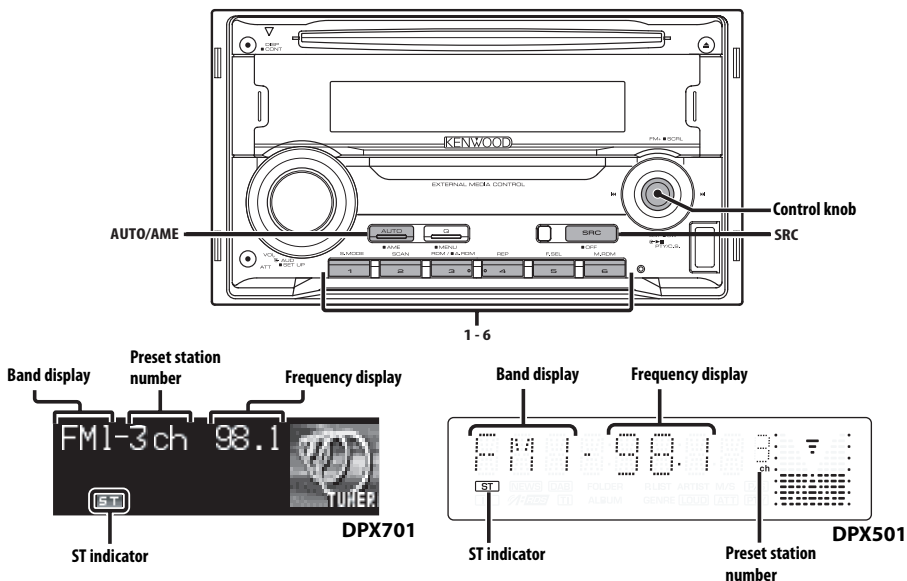


- G-Graphic display  
Displays the condition of G in horizontal direction (e.g; when turning the curve) by the graphic.
- G-Meter display (Graphic)  
Displays the maximum value of acceleration G, right direction G, and left direction G by the numerical value.
- G-Meter display (Text)  
The maximum value of acceleration G, right direction G, and left direction G is displayed by the numerical value. The value of G is only the reference, so is different from the actual value.
- G-Counter display  
Adds the point of the acceleration level. The point is determined after a lapse of 1 hr drive or at power off (ACC Off), and then it will be displayed by the graph. Furthermore, the G-Counter displays the average of the past data by the line. (The scale of graph is determined along with the largest point among the past 10 data.)
- The value of G-Meter display and G-Counter display can be reset by <G-Analyzer Reset> (page 40).

#### 4 Exit G-Analyzer display select mode

Press the [DISP] button.

# Tuner features



## Tuning

Selecting the station.

### 1 Select tuner source

Press the [SRC] button.

Select the "TUNER" display.

### 2 Select the band

Push the Control knob towards [FM] or [AM].

Each time you push the knob toward [FM], it switches between the FM1, FM2, and FM3 bands.

### 3 Tune up or down band

Push the Control knob towards [◀◀] or [▶▶].



- During reception of stereo stations the "ST" indicator is ON.

## Tuning Mode

Choose the tuning mode.

Press the [AUTO] button.

Each time you press the button, the Tuning mode alternates between the modes shown in the table below.

Tuning mode	Display	Operation
Auto seek	"Seek Mode Auto1"/ "AUTO1"	Automatic search for a station
Preset station seek	"Seek Mode Auto2"/ "AUTO2"	Search in order of the stations in the Preset memory.
Manual	"Seek Mode Manual"/ "MANUAL"	Normal manual tuning control



Function of remote control

## Direct Access Tuning

---

Entering the frequency and tuning.

### 1 Select the band

Press the [FM] or [AM] button.

### 2 Enter Direct Access Tuning mode

Press the [DIRECT] button on the remote control.

"- - - -" is displayed.

### 3 Enter the frequency

Press the number buttons on the remote control.

Example:

Desired frequency	Press button
92.1 MHz (FM)	[0], [9], [2], [1]
810 kHz (AM)	[0], [8], [1], [0]

### Canceling Direct Access Tuning

Press the [DIRECT] button on the remote control.

## Station Preset Memory

---

Putting a station in the memory.

### 1 Select the band

Push the Control knob towards [FM] or [AM].

### 2 Select the frequency to put in the memory

Push the Control knob towards [◀◀] or [▶▶].

### 3 Put the frequency in the memory

Press the desired [1] — [6] button for at least 2 seconds.

The preset number display blinks 1 time.  
On each band, 1 station can be put in the memory on each [1] — [6] button.

## Auto Memory Entry

---

Putting stations with good reception in the memory automatically.

### 1 Select the band for Auto Memory Entry

Push the Control knob towards [FM] or [AM].

### 2 Open Auto Memory Entry

Press the [AME] button for at least 2 seconds.

When 6 stations that can be received are put in the memory, Auto Memory Entry closes.

## Preset Tuning

---

Recalling the stations in the memory.

### 1 Select the band

Push the Control knob towards [FM] or [AM].

### 2 Recall the station

Press the desired [1] — [6] button.

### Radio Text Scroll

---

Scrolling the displayed radio text.

**Push the Control knob toward [FM] for at least 2 seconds.**



- When the <Display Illumination Control> (page 39) is set to OFF, the display may black out while scrolling.

### 2 Select the Program Type

**Push the Control knob towards [FM] or [AM].**



### PTY (Program Type)

---

Selecting the Program Type and searching for a station.

#### 1 Enter PTY mode

**Press the Control knob.**

"PTY Select" is displayed.(DPX701 only)

During PTY mode the "PTY" indicator is ON.

(DPX501 only)



- The PTY function cannot be used during a traffic bulletin or AM reception.

20.	Language	"Foreign Language"	"LANGUAGE"
21.	Religious Music	"Religious Music"	"REL MUSC"
22.	Religious Talk	"Religious Talk"	"REL TALK"
23.	Personality	"Personality"	"PERSNLTY"
24.	Public	"Public"	"PUBLIC"
25.	College	"College"	"COLLEGE"
26.	Weather	"Weather"	"WEATHER"



- Speech and Music include the Program Type below.  
Music: No.7 — 19, 21  
Speech: No.3 — 6, 20, 22 — 26
- The Program Type can be put in the [1] — [6] button memory and recalled quickly. Refer to the <Program Type preset> (page 27).

### 3 Search for the selected Program Type station

Push the Control knob towards [◀◀] or [▶▶].

When you want to search for other stations, push toward [◀◀] or [▶▶] of the Control knob again.



- When selected Program Type is not found, "NO PTY" is displayed. Select another Program Type.

### 4 Exit PTY mode

Press the Control knob.

## Registration of a station as a PTY

Registering a Program Type for stations with no PTY data.

### 1 Receive the station you want to register

### 2 Select the Program Type to register

Refer to <PTY (Program Type)> (page 26).

### 3 Register the Program Type

Press the [AUTO] button for at least 2 seconds.

### Confirming the Program Type

Press the [AUTO] button.

The Program Type is displayed for 5 seconds.

### 4 Exit PTY mode

Press the Control knob.

## Program Type preset

Putting the Program Type in the Preset button memory and quick recall.

### Presetting the Program Type

#### 1 Select the Program Type to preset

Refer to <PTY (Program Type)> (page 26).

#### 2 Preset the Program Type

Press the desired [1] — [6] button for at least 2 seconds.

### Recalling the preset Program Type

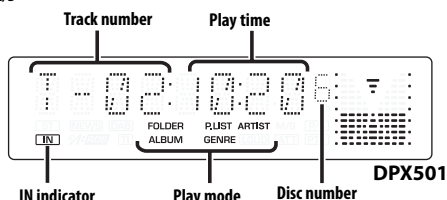
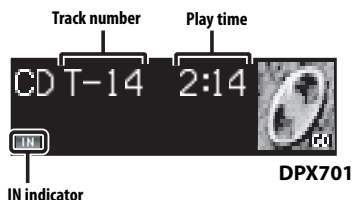
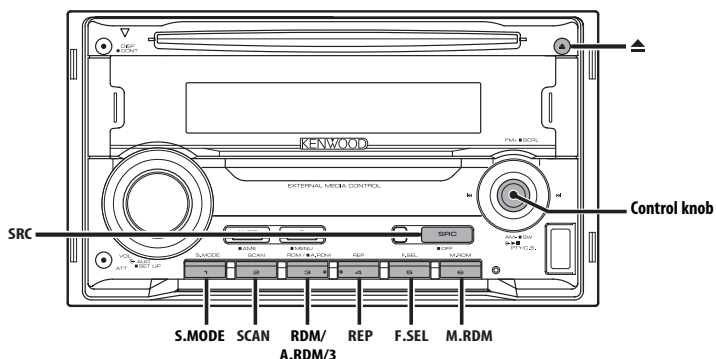
#### 1 Enter PTY mode

Refer to <PTY (Program Type)> (page 26).

#### 2 Recall the Program Type

Press the desired [1] — [6] button.

# CD/USB device/Audio file/External disc control features



## Playing CD & Audio file

### When a disc is inserted

Press the [SRC] button.

Select the "Compact Disc"/ "CD" display.



- When a CD is inserted, the "IN" indicator is ON.

### Pause and play

Press the Control knob.

Each time you press the knob, the audio pauses or plays.

### Eject the CD

Press the [▲] button.



- You can cancel the announcement when selecting the folder by <Voice Index> (page 46) during the play of the ACDrive media.

## Playing USB device

### Playing USB device

#### 1 Select a source other than the USB device.

#### 2 Select USB source

Press the [SRC] button.

Select the "USB" display.



- For the types of available USB devices and how to connect USB devices, refer to <About USB device> (page 10).
- After you stopped playing a file contained in the USB device, you can restart playing the file from the point where you stopped its playback. Even after removing the USB device, you can restart playing the file from the point where you stopped its playback as long as the files contained in the USB device are all the same.
- Be sure to insert the USB device connector as far as it will go.
- You can play the disc (ACDrive media) made by Media Manager by the same operation.
- You can cancel the announcement when selecting the folder by <Voice Index> (page 46) during the play of the ACDrive media.

### **Pause and play**

**Press the Control knob.**

Each time you press the knob, the audio pauses or plays.

### **Removing the USB Device**

#### **1 Select a source other than the USB device**

**Press the [SRC] button.**

#### **2 Remove the USB device.**



- Removing the USB device with it selected as a source can damage the data stored in the USB device.



- You can remove the USB device safely with the unit power turned off.

## **Playing External Disc**

Playing discs set in the optional accessory disc player connected to this unit.

**Press the [SRC] button.**

Select the display for the disc player you want.

**Display examples:**

Display	Disc player
"CD Changer"/ "CD CH"	CD changer
"MD Changer"/ "MD CH"	MD changer

### **Pause and play**

**Press the Control knob.**

Each time you press the knob, the audio pauses or plays.



- Disc 10 is displayed as "0". (DPX501 only)
- The functions that can be used and the information that can be displayed will differ depending on the external disc players being connected.

## **Fast Forwarding and Reversing**

### **Fast Forwarding**

**Hold down toward [▶▶] with the Control knob.**

Release to resume the playback.

### **Reversing**

**Hold down toward [◀◀] with the Control knob.**

Release to resume the playback.



- There is no sound while the Audio file is being searched.
- You cannot fast Forwarding and Reversing depending on AAC file format.

## **Track/File Search**

Searching for a song on the disc or in the Audio file folder.

**Push the Control knob towards [◀◀] or [▶▶].**

*Function of disc changer/ Audio file*

### **Disc Search/Folder Search**

Selecting the disc set in the Disc changer or the folder recorded on the Audio file media.

**Push the Control knob towards [FM] or [AM].**

# CD/USB device/Audio file/External disc control features

Function of remote control

## Direct Track/File Search

Doing Track/File Search by entering the track/file number.

### 1 Enter the track/file number

Press the number buttons on the remote control.



- You can select Direct File Search up to 999.

### 2 Do Track/File Search

Press the [◀◀] or [▶▶] button.

### Cancelling Direct Track/File Search

Press the [▶II] button.

Function of disc changers with remote control

## Direct Disc Search

Doing Disc Search by entering the disc number.

### 1 Enter the disc number

Press the number buttons on the remote control.

### 2 Do Disc Search

Press the [+] or [-] button.

### Cancelling Direct Disc Search

Press the [▶II] button.



- Input "0" to select disc 10.

## Track/File/Disc/Folder Repeat

Replaying the song, disc in the Disc changer or Audio file folder you are listening to.

Press the [REP] button.

Each time you press the button, the Repeat Play alternates between the modes shown in the tables below.

### In CD & External disc source

Repeat play	Display
Track Repeat	"Track Repeat ON"/ "TRAC REP"
Disc Repeat (In Disc Changer)	"Disc Repeat ON"/ "DISC REP"
OFF	"Repeat OFF"/ "REP OFF"

### In Audio file source

Repeat play	Display
File Repeat	"File Repeat ON"/ "FILE REP"
Folder Repeat	"Folder Repeat ON"/ "FOLD REP"
OFF	"Repeat OFF"/ "REP OFF"

## Scan Play

Playing the first part of each song on the disc or Audio file folder you are listening to and searching for the song you want to hear.

### 1 Start Scan Play

Press the [SCAN] button.

"Scan ON"/ "Track Scan ON"/ "File Scan ON"/

"SCAN ON"/ "TRAC SCN"/ "FILE SCN" is displayed.

### 2 Release it when the song you want to listen to is played

Press the [SCAN] button.

## Random Play

Playing all the songs on the disc in random order.

Press the [RDM] button.

Each time you press the button, Random Play turns ON or OFF.

When the Random mode is ON, "Random ON"/ "Disc Random ON"/ "Folder RDM ON"/ "DISC RDM"/ "FOLD RDM" is displayed.



- When you push the Control knob toward [▶▶II], the next random song starts.

Function of disc changer

## Magazine Random Play

Play the songs on all the discs in the disc changer in random order.

Press the [M.RDM] button.

Each time you press the button, the Magazine Random Play turns ON or OFF.

When the Magazine Random mode is ON, "Magazine RDM ON"/ "MGZN RDM" is displayed.



- When you push the Control knob toward [▶▶], the next random song starts.

### Function of Audio file

## All Random Play

Playing randomly from all of the Audio files recorded in the media.

**Press the [A.RDM] button for at least 1 second.**

When the random mode is ON, "All Random ON"/"ALL RDM" is displayed.

### Canceling the All Random Play

**Press the [A.RDM] button.**



- When you push the Control knob toward [▶▶], the next random song starts.

### Function of Audio file

## Select mode

Quickly selecting the file or folder you want to hear.

### 1 Select the Select mode

**Press the [F.SEL] button.**

Display	Select mode
"FILE SELECT"/ "FILE SEL" <sup>*1</sup>	Refer to <File Select mode> (page 32).
"FOLDER SELECT1"/ "FOLDER SELECT"/ "FLD SEL1"/ "FLD SEL"	Refer to <Folder Select 1 mode> (page 32).
"FOLDER SELECT2"/ "FLD SEL2" <sup>**2</sup>	Refer to <Folder Select 2 mode> (page 33).

*Exit the Select mode*



- The Select mode does not function when <All Random Play> (page 31) is ON.
- <sup>\*1</sup> You cannot operate this function when <Random Play> (page 30) is set to "ON".

- <sup>\*\*2</sup> You cannot operate this function when <Switching the Play mode> (page 33) is set to other than "Folder Mode"/"FOLDER" while playing ACDrive media.

### 2 Select the file/ folder

Refer to the explanation of the procedure performed in each select mode.

### Scrolling the file/ folder name display

**Push the Control knob toward [FM] for at least 2 seconds.**



- You can cancel the announcement when selecting the folder by <Voice Index> (page 46) during the play of the ACDrive media.
- In the File Select mode, the <Voice Index> (page 46) announcement is not made.

# CD/USB device/Audio file/External disc control features

## Function of Audio file

### File Select mode

You can select an audio file in the folder currently being played by file name.

#### 1 Enter File Select mode

Press the [F.SEL] button.

Select the "FILE SELECT"/ "FILE SEL" display. Refer to <Select mode> (page 31).

**File name display**

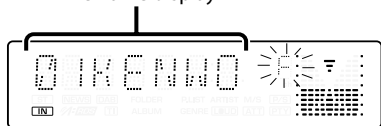
Displays the current file name.



**File number display**

Indicates the number of file being currently selected.

**File name display**



#### 2 Select the file

Push the Control knob towards [◀◀] or [▶▶].

**Switching between files in units of 10 songs**

Push the Control knob towards [FM] or [AM].

With the [FM] button, you move 10 songs up and with the [AM] button, 10 songs down.



- You can select File Select mode up to 999.

#### 3 Decide the file to play

Press the Control knob.

The File Select mode releases, and the Audio file being displayed plays.

## Function of Audio file

### Folder Select 1 mode

Select the target folder by tracing the hierarchical levels of folders. This is convenient when managing audio files by folder.

#### 1 Enter Folder Select 1 mode

Press the [F.SEL] button.

Select the "FOLDER SELECT1"/ "FLD SEL1"/ "FOLDER SELECT"/ "FLD SEL" display. Refer to <Select mode> (page 31).

**Folder name display**

Displays the current folder name.



**Folder number display**

Displays the number in the folder belonging to the currently selected folder.

**Folder name display**



#### 2 Select the folder level\*

Push the Control knob towards [FM] or [AM].

With the [FM] button, you move 1 level down and with the [AM] button, 1 level up.

**Selecting a folder in the same level**

Push the Control knob towards [◀◀] or [▶▶].

With the [◀◀] of the Control knob, you move to the previous folder, and with the [▶▶] of the Control knob, to the next folder.

**Returning to the top level\***

Press the [3] button.



- \* You cannot operate this function when <Switching the Play mode> (page 33) is set to other than "Folder Mode" while playing ACDrive media.

#### 3 Decide the folder to play

Press the Control knob.





# CD/USB device/Audio file/External disc control features

Function of ACDrive media

## Letter Seek

You can search for the song, you want to play, by selecting the initial of Genre name, Artist name, or Album name.

### 1 Enter the Letter Seek mode

Press the [S.MODE] button for at least 1 second.



- This operation does not function when <All Random Play> (page 31) is ON.
- This function is available only when the Play mode is set Genre, Artist, or Album.

### Canceling the Letter Seek

Press the [S.MODE] button.

### 2 Start the Letter Seek

Push the Control knob towards [◀◀] or [▶▶].

The initial of Genre name, Artist name, or Album name is displayed and announced in order.



- The announcement of the initial can be canceled by <Voice Index> (page 46).
- When you push the Control knob to the reverse [◀◀] or [▶▶] during Letter Seek, the initial is displayed and announced in the reversed order.
- Once Letter Seek starts, it cannot be cancelled.

### 3 Select the song to play

Press the Control knob when the initial of the song you are searching is displayed and announced.

The selected initial group plays.

## Text/Title Scroll

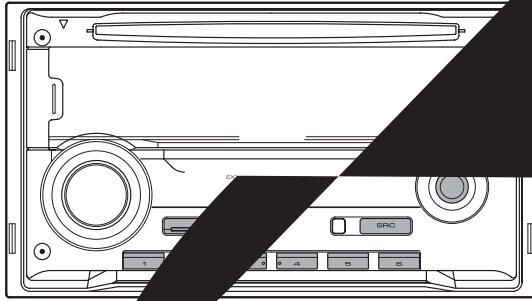
Scrolling the displayed CD text, Audio file text, or MD title.

Push the Control knob toward [FM] for at least 2 seconds.



- When the <Display Illumination Control> (page 39) is set to OFF, the display may black out while scrolling.

## HD Radio control features



### Ab

Radio, Tuner features  
changed to HD  
of the setting  
mode will

the  
ory>  
of

### Tuning

Selecting the station.

#### 1 Select HD Radio source

**Press the [SRC] button.**

Select the "HD Radio"/ "HD RADIO" display.

#### 2 Select the HD FM band

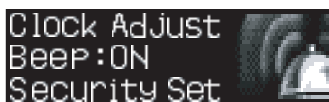
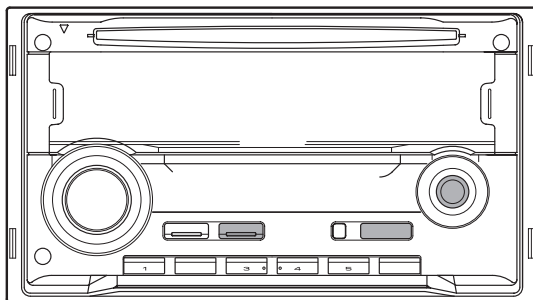
**Push the Control knob toward [FM].**

Each time you push the knob to [FM], the band alternates between the HF1, HF2, and HF3 bands.

**Select the HD AM band**

**Push the Control knob toward [AM].**

**or down band**



## Menu System

Setting beep sound during operation, etc. functions.

The Menu system basic operation method is explained here. The reference for the Menu items and their setting content is after this operation explanation.

### 1 Enter Menu mode

Press the [MENU] button for at least 1 second.

"MENU" is displayed.

### 2 Select the menu item

Push the Control knob towards [FM] or [AM].

Example: When you want to set the beep sound select the "Beep"/ "BEEP" display.

### 3 Set the menu item

Push the Control knob towards [◀◀] or [▶▶].

Example: When you select "Beep"/ "BEEP", each time you push the knob it alternates between "Beep : ON"/ "BEEP ON" or "Beep : OFF"/ "BEEP OFF". Select 1 of them as the setting.

You can continue by returning to step 2 and setting other items.

### 4 Exit Menu mode

Press the [MENU] button.



- When other items those applicable to the basic operation method above are displayed, their setting content chart is entered. (Normally the setting listed at the top of the chart is the original setting.) Also, the explanation for items that are not applicable (<Manual Clock Adjustment> etc.) are entered step by step.
- Three menu items appear on the display. The menu item displayed at the center is the one you can adjust. (DPX701 only)

In Standby mode

## Activating Security Code

Activating the Security Code disables the usage of audio unit by someone else. Once the Security Code is activated, the entry of authorized Security Code is required to turn on the audio unit when it is removed from the vehicle. Indication of this Security Code activation prevents your precious audio unit from stealing.



- Set the Security Code when the <Demonstration mode Setting> (page 48) is set to OFF.
- You can set the Security Code with a 4 digit number of your choice.
- The Security Code cannot be displayed or referenced. Make a note of the Security Code and treasure it up.

### 1 Enter Standby

**Press the [SRC] button.**

Select the "STANDBY" display.

### 2 Enter Menu mode

**Press the [MENU] button for at least 1 second.**

When "MENU" is displayed, "Security Set"/ "CODE SET" is also displayed.

### 3 Enter Security Code mode

**Press the Control knob for at least 1 second.**

When "Enter"/ "ENTER" is displayed, "Security Set"/ "CODE" is also displayed.

### 4 Select the digits to enter

**Push the Control knob towards [◀◀] or [▶▶].**

### 5 Select the Security Code numbers

**Push the Control knob towards [FM] or [AM].**

### 6 Repeat steps 4 and 5, and complete the Security Code.

### 7 Confirm the Security Code

**Press the Control knob for at least 3 seconds.**

When "Re-Enter"/ "RE-ENTER" is displayed, "Security Set"/ "CODE" is also displayed.

### 8 Do the step 4 through 7 operation, and reenter the Security Code.

"Approved"/ "APPROVED" is displayed.  
The Security Code function activates.

### 9 Exit Security Code mode

**Press the [MENU] button.**



- If you enter the wrong Code in steps 4 through 6, repeat from step 4.

## Resetting the Security Code function when the audio unit is first used after removed from the battery power source or the Reset button is pressed

### 1 Turn the power ON.

### 2 Do the step 4 through 7 operation, and enter the Security Code.

"Approved"/ "APPROVED" is displayed.

Now, you can use the unit.



- When the Security Code function is activated, "Security Set"/ "CODE SET" changes to "Security Clear"/ "CODE CLR".
- To deactivate the Security Code function, see the next section <Deactivating Security Code>.

In Standby mode

## Deactivating Security Code

To deactivate the Security Code function.

### 1 Select Security Code mode

**Push the Control knob towards [FM] or [AM].**

Select the "Security Clear"/ "CODE CLR" display.

### 2 Enter Security Code mode

**Press the Control knob for at least 1 second.**

When "Enter"/ "ENTER" is displayed, "Security Clear"/ "CODE" is also displayed.

### 3 Select the digits to enter

**Push the Control knob towards [◀◀] or [▶▶].**

### 4 Select the Security Code numbers

**Push the Control knob towards [FM] or [AM].**

### 5 Repeat steps 3 and 4, and complete the Security Code.

### 6 Press the Control knob for at least 3 seconds.

"Clear"/ "CLEAR" is displayed.

The Security Code function deactivates.



- If a wrong security code is entered, "Error"/ "ERROR" is displayed. Enter a correct security code.

# Menu system

In Standby mode

## Touch Sensor Tone

Setting the operation check sound (beep sound) ON/OFF.

Display	Setting
"Beep : ON" / "BEEP ON"	Beep is heard.
"Beep : OFF" / "BEEP OFF"	Beep canceled.

In Standby mode

## Manual Clock Adjustment



- You can do this adjustment when the <Synchronize Clock> (page 38) is set as OFF.

### 1 Select Clock Adjustment mode

Push the Control knob towards [FM] or [AM].  
Select the "Clock Adjust" / "CLK ADJ" display.

### 2 Enter Clock Adjust mode

Press the Control knob for at least 1 second.  
The clock display blinks.

### 3 Adjust the hours

Push the Control knob towards [FM] or [AM].

**Adjust the minutes**

Push the Control knob towards [◀◀] or [▶▶].

### 4 Exit Clock adjustment mode

Press the [MENU] button.

Function of the DPX701

In Standby mode

## Date Adjustment

### 1 Select Date Adjust mode

Push the knob towards [FM] or [AM].  
Select the "Date Adjust" display.

### 2 Enter Date Adjust mode

Press the Control knob for at least 1 second.  
The date display blinks.

### 3 Selecting the item (day, month, or year) to adjust

Push the Control knob towards [◀◀] or [▶▶].

The items that are blinking are items that you can adjust.

### 4 Adjust each item

Push the Control knob towards [FM] or [AM].

### 5 Repeat step 3 and 4 operation and adjust the date.

### 6 Exit Date adjustment mode

Press the [MENU] button.

Function of the DPX701

In Standby mode

## Date Mode

Setting the date format.

### 1 Select Date Mode

Push the Control knob towards [FM] or [AM].  
Select the "Date Mode" display.

### 2 Select the date format

Push the Control knob towards [◀◀] or [▶▶].

### 3 Exit Menu mode

Press the [MENU] button.

In Standby mode

## Synchronize Clock

Synchronizing the RDS station time data and this unit's clock.

Display	Setting
"SYNC : OFF" / "SYNC OFF"	Adjust the time manually.
"SYNC : ON" / "SYNC ON"	Synchronizes the time.



- It takes 3 to 4 minutes to synchronize the clock.

*In Standby mode*

## Indirect Lighting

You can illuminate the area around the display with soft indirect lighting.

Display	Setting
"Lighting : ON" / "LGHT ON"	Turns indirect lighting on.
"Lighting : OFF" / "LGHT OFF"	Turns indirect lighting off.

## Display Illumination Control

This function turns off the display when you perform no operation for 5 seconds. This function is effective when you are driving at night.

Display	Setting
"Display : ON" / "DISP ON"	Keeps the display on.
"Display : OFF" / "DISP OFF"	Turns off the display when you perform no operation for 5 seconds.



- Set the Display Illumination Control when the <Demonstration mode Setting> (page 48) is set to OFF.
- When the display is off, pressing any key will turn on the display.
- When the display is off, you cannot perform any operation except for the following:
  - Volume
  - Attenuator
  - Selecting the source
  - Ejecting the disc
  - Turning off the power
- During function control, such as the Menu System, the display stays on.

*In Standby mode*

## Dimmer

Dimming this unit's display automatically when the vehicle light switch is turned ON.

Display	Setting
"Dimmer : ON" / "DIM ON"	The display dims.
"Dimmer : OFF" / "DIM OFF"	The display doesn't dim.

*Function of the DPX501*

*In Standby mode*

## Switching preout

Alternating the preout between the rear and subwoofer. (With the subwoofer the sound outputs without being effected by fader control.)

Display	Setting
"SWPRE R"	Rear preout.
"SWPRE SW"	Subwoofer preout.

*In Standby mode*

## Built-in Amp Setting

Controlling the built-in amplifier. Turning OFF this control enhances the preout quality.

Display	Setting
"AMP : ON" / "AMP ON"	The built-in amplifier activates.
"AMP : OFF" / "AMP OFF"	The built-in amplifier deactivates.

*Function of the DPX701*

*In Standby mode*

## G-Counter Level set

Calibrating G-Point. Setting the level according to the kinds of vehicles.

Display	Setting
"G-Counter : Level1"	Counter is easy to go up.
"G-Counter : Level2"	:
"G-Counter : Level3"	Counter is hard to go up.



- In the case of driving situations calling for few accelerations, set the G-Point up to "G-Counter : Level1". In the case of frequent accelerations, set it up to "G-Counter : Level3".

## Menu system

---

Function of the DPX701

In Standby mode

### **G-Analyzer Reset**

---

Resets the value of G-Meter, G-Counter and G-Analyzer Horsepower Analysis.

#### **1 Select G-Analyzer Reset mode**

Push the Control knob towards [FM] or [AM].

Select the "G-Reset" display.

#### **2 Enter G-Analyzer Reset mode**

Press the Control knob for at least 1 second.

#### **3 Select the Reset item**

Push the Control knob towards [FM] or [AM].

"G-Meter Reset": Reset the value of G-Meter.

"G-Counter Reset": Reset the value of G-Counter.

"G-Power Reset": Reset the value of G-Analyzer Horsepower Analysis.

#### **4 Reset the value**

Press the Control knob for at least 2 seconds.

"Reset OK" is displayed.

#### **5 Exit G-Analyzer Reset mode**

Press the [MENU] button.

Function of the DPX701

In Standby mode

### **G-Analyzer Calibration setup**

---

G-Analyzer requires calibration for horizontal acceleration and braking.



- To ensure accurate calibration, go through the following steps at a level place where you can move the vehicle straight ahead.

#### **1 Park the vehicle in a horizontal location**

**2**



#### 4 Enter Weight Input mode

Press the Control knob.

"Weight Input" is displayed.

#### 5 Select the weight numbers

Push the Control knob towards [FM] or [AM].



- The weight input range is between 1000-9999 lbs.

#### 6 Select the digits to enter

Push the Control knob towards [◀◀] or [▶▶].

#### 7 Repeat steps 5 and 6, and complete the weight input.

#### 8 Exit G-Analyzer Horsepower Gauge setup mode

Press the [MENU] button.

*Function of the DPX701*

### **G-Analyzer Horsepower Analysis**

This measures the horsepower and displays graph and max power. It automatically saves the highest record.



- Do not use G-Analyzer Horsepower Analysis on the Public roads.
- Do not use this product in any way that prevents you from driving safely.
- Follow all driving laws and use common sense when using this product.



- Before alternating G-Analyzer Horsepower Analysis, you are required to setup <G-Analyzer Horsepower Gauge setup> (page 40).

#### 1 Select the G-Analyzer Horsepower Analysis mode

Push the Control knob towards [FM] or [AM].

Select the "Horsepower" display.

#### 2 Enter G-Analyzer Horsepower Analysis mode

Press the Control knob for at least 1 second.

"Stop" is displayed.

Previous max power and record are displayed.

#### 3 Begin measurement

Press the Control knob.

"Ready" is displayed.

#### 4 Start the car

"Measure" is displayed.

After 15 seconds of measurement, the result is displayed.

#### Display the result

The graph shows the variation in horsepower between 0.1 to 15.0 seconds. The maximum power is displayed in red and the markings provided at intervals of 5 seconds are displayed in blue.



- Pressing the Control knob also begins the measurement. To prevent danger, push the control knob before starting the car.

#### 5 To display the maximum power in the section:

Push the Control knob towards [◀◀] or [▶▶].

Each time you push the Control knob, the maximum power in the section is displayed.

#### 6 Exit G-Analyzer Horsepower Analysis mode

Press the [MENU] button.



- Like your vehicle's speedometer, G-Analyzer is no more than a measuring function. The HP or G value measured by this unit may not be completely accurate due to its simplified method of measurement. The G-Analyzer is only for reference and should not be used to confirm the horsepower specifications of your vehicle.
- Measuring after starting the car lowers the accuracy.
- The record will not be renewed if the measurement is discontinued.
- The graph's scale adjusts automatically to the horsepower value.
- The value of max power and record can be reset by <G-Analyzer Reset> (page 40).

# Menu system

Function of the DPX701

## G-Analyzer Stop Watch

The control of stop watch can be started by G-Analyzer function.



- Do not use G-Analyzer stop watch on the Public roads.

### 1 Select G-Analyzer Stop Watch mode

Push the Control knob towards [FM] or [AM].

Select the "Stop Watch" display.

### 2 Enter G-Analyzer Stop Watch mode

Press the Control knob for at least 1 second.

"Stop" is displayed.

### 3 Enter Counter Ready mode

Press the Control knob.

"Ready" is displayed.

### 4 Start Count

When G in the vertical direction is detected during the travel, the count automatically starts.

"Running" is displayed.



- You can also start the counter by pressing the Control knob.

### 5 Stop Count

Press the Control knob.

"Stop" is displayed.



- The control will start again when you accelerate or press the Control knob.  
Do the operation after step3.

### When you Reset the Count (While "Stop" is displayed)

Press the Control knob for at least 2 seconds.



- You can reset of count when the count is stopped.

### 6 Exit G-Analyzer Stop Watch mode

Press the [MENU] button.



- When "Running" is displayed (counted), the count is continued even though G-Analyzer Stop Watch mode is finished. If you want to stop the count, enter the menu mode then press the control knob.
- When Power off (ex; ACC OFF) while counting, the value of 1 second or less will be "00".

Other than Standby mode/  
When the Dual Zone System is ON

## Dual Zone System Setting

Setting the Front channel and Rear channel sound in the Dual Zone System.

Display	Setting
"Zone2 : Rear"/ "ZONE2 R"	Sub source (Auxiliary input source) is to be rear channel.
"Zone2 : Front"/ "ZONE2 F"	Sub source (Auxiliary input source) is to be front channel.

Function of the DPX701

Other than Standby mode

## B.M.S. (Bass Management System)

Adjust the bass boost level of the external amplifier using the main unit.

Display	Setting
"AMP Bass : Flat"	Bass boost level is flat.
"AMP Bass : +6"	Bass boost level is low (+6dB).
"AMP Bass : +12"	Bass boost level is mid (+12dB).
"AMP Bass : +18"	Bass boost level is high (+18dB).



- Refer to the catalog or instruction manual for power amplifiers that can be controlled from this unit.
- For amplifiers, there are the models you can set from Flat to +18 dB, and the models you can set from Flat to +12 dB.

When an amplifier that can only be set to +12 is connected to the unit, "AMP Bass : +18" will not work correctly even if it is selected.

Function of the DPX701  
Other than Standby mode

## B.M.S. Frequency Offset

Setting the central frequency, boosted by B.M.S.

Display	Setting
"AMP FREQ : Normal"	Boost with the normal central frequency.
"AMP FREQ : Low"	Drop the normal central frequency 20%.

Function of the DPX701  
When LX AMP unit connecting

## AMP Control

You can control the LX AMP connected to the unit.

### 1 Select AMP Control mode

Push the Control knob towards [FM] or [AM].  
Select the "AMS Control" display.

### 2 Enter AMP Control mode

Press the Control knob for at least 1 second.

### 3 Select the AMP Control item for adjustment

Push the Control knob towards [FM] or [AM].



- For the details on the AMP Control item, see the Instruction manual attached to the LX AMP.

### 4 Adjust the AMP Control item

Push the Control knob towards [◀◀] or [▶▶].

### 5 Exit AMP Control mode

Press the [MENU] button.



- You cannot use the LX AMP operation during standby mode.

Other than Standby mode

## Traffic Information

Switching to traffic information automatically when a traffic bulletin starts even when you aren't listening to the radio.

Display	Setting
"TI : OFF" / "TI OFF"	The Traffic Information function is OFF.
"TI : ON" / "TI ON"	The Traffic Information function is ON.

When it is ON, the "TI" indicator is ON. (DPX501 only)

When a traffic information station isn't being received the "TI" indicator blinks.

When a traffic bulletin starts, "Traffic INFO" / "TRAFFIC" is displayed it and it switches to traffic information.



- During reception of an AM station when the Traffic Information function is turned ON, it switches to an FM station.
- During reception of traffic information the adjusted volume is automatically remembered, and the next time it switches to traffic information it's automatically the remembered volume.

### Receiving other traffic information stations (In tuner source)

Push the Control knob towards [◀◀] or [▶▶].



- You can change the traffic information station when listening to the radio.

# Menu system

In FM reception

## CRSC (Clean Reception System Circuit)

Temporarily have reception alternate from stereo to mono to reduce multi-path noise when listening to the FM station.

Display	Setting
"CRSC : ON"/ "CRSC ON"	The CRSC is ON.
"CRSC : OFF"/ "CRSC OFF"	The CRSC is OFF.



- Strong electrical fields (such as from power lines) may cause unstable sound quality when CRSC is turned ON. In such a situation, turn it OFF.

In HD Radio mode

## Receive mode Setting

Sets the receive mode.

### 1 Select the Receive mode

Push the Control knob towards [FM] or [AM].

Select the "Receive Mode"/ "HDR MODE" display.

### 2 Enter Receive mode

Press the Control knob for at least 1 second.

### 3 Set the Receive mode

Push the Control knob towards [FM] or [AM].

Each time you push the knob, the Receive mode alternates between the modes shown in the table below.

Receive mode	Display	Operation
Auto mode	"Auto"/ "AUTO"	Analog broadcasts and digital broadcasts will be switched automatically. When both are being transmitted, the digital broadcast will have priority.
Digital	"Digital"/ "DIGITAL"	Digital broadcasts only.
Analog	"Analog"/ "ANALOG"	Analog broadcasts only.

### 4 Exit Receive mode

Press the [MENU] button.



- Even if the Receive mode is set to "Auto"/ "AUTO", when the Ball game mode program (non-delayed broadcast program) is received, the Receive mode will automatically switch to Analog broadcast only.

In SIRIUS tuner source

## SIRIUS ID (ESN) display

Displaying the SIRIUS ID (Electronic Serial Number).

### Display

"ESN =\*\*\*\*\*"



- Serial & SIRIUS ID (ESN)  
It is important to retain the unit serial number and the electronic SIRIUS Identification number for service activation and potential service changes.

Function of the DPX701

## Station/Disc Naming (SNPS/DNPS)

Attaching a title to a Station or CD.

### 1 Receive/play the station/disc you want to attach a title to



- A title cannot be attached to MD or Audio file media.

### 2 Enter Menu mode

Press the [MENU] button for at least 1 second.

"MENU" is displayed.

### 3 Select Name set mode

Push the Control knob towards [FM] or [AM].

Select the "Name Set" display.

### 4 Enter Name set mode

Press the Control knob for at least 1 second.

**5 Move the cursor to the enter character position**

Push the Control knob towards [◀◀] or [▶▶].

**6 Select the character type**

Press the Control knob.

Each time you press the knob, the character type alternates between the types shown in the table below.

Character type
Alphabet upper case
Alphabet lower case
Numbers and symbols
Special characters (Accent characters)

**7 Select the characters**

Push the Control knob towards [FM] or [AM].



- Enter characters by using a remote control with numbers buttons.  
Example: If you are entering "DANCE".

Character	Button	Times pressed
"D"	[3]	1
"A"	[2]	1
"N"	[6]	2
"C"	[2]	3
"E"	[3]	2

**8 Repeat steps 5 through 7 and enter the name.**

**9 Exit Menu mode**

Press the [MENU] button.



- When operation stops for 10 seconds the name at that time is registered, and Name Set mode closes.
- Memory numbers
  - FM/ AM: 30 stations
  - Internal CD player: 10 discs
  - External CD changer/ player: Varies according to the CD changer/ player. Refer to the CD changer/ player manual.
- Change the title of station/CD by the same operation used to name it.

**Auxiliary Input Display Setting**

Selecting the display when changing to Auxiliary input source.

**1 Select Auxiliary input source**

Press the [SRC] button.

Select the "AUX"/ "AUX EXT" display.

**2 Enter Menu mode**

Press the [MENU] button for at least 1 second.

"MENU" is displayed.

**3 Select Auxiliary input display setting mode**

Push the Control knob towards [FM] or [AM].

Select the "Name Set"/ "NAME SET" display.

**4 Enter Auxiliary input display setting mode**

Press the Control knob for at least 1 second.

The presently selected Auxiliary input display is displayed.

**5 Select the Auxiliary input display**

Push the Control knob towards [◀◀] or [▶▶].

Each time you push the knob, the display alternates as listed below.

- "AUX"/ "AUX EXT"
- "DVD"
- "PORTABLE"
- "GAME"
- "VIDEO"
- "TV"

**6 Exit Menu mode**

Press the [MENU] button.



- When operation stops for 10 seconds, the name at that time is registered, and the Auxiliary input display setting mode closes.
- The Auxiliary Input Display can be set only when the built-in auxiliary input or the auxiliary input of optional KCA-S210A is used.

*In Standby mode*

## **CD Read Setting**

---

When there is a problem with playing a CD with special format, this setting plays the CD by force.

<b>Display</b>	<b>Setting</b>
"CD Read : 1"/ "CD READ 1"	Play CD and Audio file.
"CD Read : 2"/ "CD READ 2"	Play CD by force.

*In CD/ USB mode*

## **ACDrive firmware version display**

Displaying the firmware version with the ACDrive function.

- 1 Select the firmware version display mode**  
Push the Control knob towards [FM] or [AM].  
Select the "ACD F/W Version"/ "ACD VER" display.
- 2 Display the ACDrive firmware version**  
Push the Control knob towards [◀◀] or [▶▶].

*In CD/ USB mode*

## **Unique ID display**

Displaying the serial number for each product.

- 1 Select the unique ID display mode**  
Push the Control knob towards [FM] or [AM].  
Select the "ACD Unique ID"/ "ACD ID" display.
- 2 Display the unique ID**  
Push the Control knob towards [◀◀] or [▶▶].

*Other than Standby mode*

## **Audio Preset Memory**

Registering the value setup by Sound Control. The memory cannot be erased by the Reset button.

- 1 Setup Sound Control**  
Refer to the following operations to setup the Sound Control.  
- <Audio Control> (page 12)  
- <Audio Setup> (page 13)
- 2 Enter Menu mode**  
Press the [MENU] button for at least 1 second.  
"MENU" is displayed.
- 3 Select Audio Preset mode**  
Push the Control knob towards [FM] or [AM].  
Select the "Audio Preset"/ "A-PRESET" display.
- 4 Enter Audio Preset mode**  
Press the Control knob for at least 1 second.
- 5 Select the Audio Preset Memory**  
Push the Control knob towards [FM] or [AM].  
Select the "Memory"/ "MEMORY" display.
- 6 Put the Audio Preset in the memory**  
Press the Control knob for at least 2 seconds.  
The "Memory"/ "MEMORY" display blinks 1 time.
- 7 Exit Audio Preset mode**  
Press the [MENU] button.



- Register 1 pair of Audio Preset Memory. You cannot register by the source.
- When you press the Reset, all the sources will be the setting value which is registered.
- The following items cannot be registered.  
Volume, Balance, Fader, Loudness, Volume offset, Dual Zone System, Rear Volume

# Menu system

Other than Standby mode

## Audio Preset Recall

Recalling the sound setup registered by <Audio Preset Memory> (page 47).

- 1 Select the source**  
Press the [SRC] button.
- 2 Enter Menu mode**  
Press the [MENU] button for at least 1 second.  
"MENU" is displayed.
- 3 Select Audio Preset mode**  
Push the Control knob towards [FM] or [AM].  
Select the "Audio Preset"/ "A-PRESET" display.
- 4 Enter Audio Preset mode**  
Press the Control knob for at least 1 second.
- 5 Select the Audio Preset Recall**  
Push the Control knob towards [FM] or [AM].  
Select the "Recall"/"RECALL" display.
- 6 Recall the Audio Preset**  
Press the Control knob for at least 2 seconds.  
The "Recall"/"RECALL" display blinks 1 time.
- 7 Exit Audio Preset mode**  
Press the [MENU] button.



- The User memory of <System Q> (page 12) is changed to the value which was recalled.
- The source tone memory item of <Audio Control> (page 12) is changed to the value which was recalled by the selected source.

In Standby mode

## Demonstration mode Setting

Sets the demonstration mode.

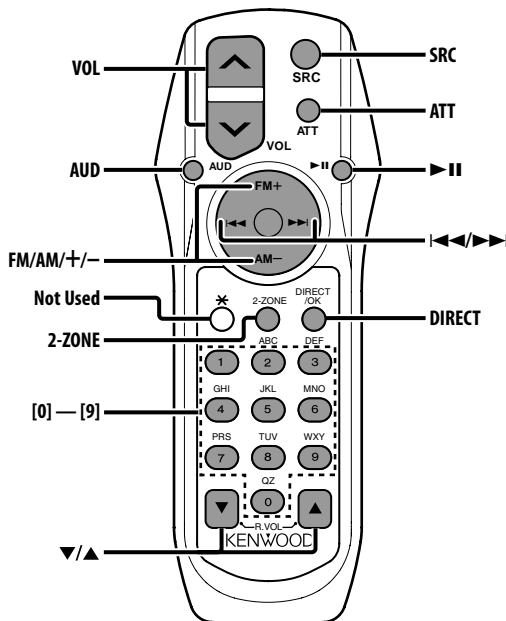
- 1 Select the Demonstration mode**  
Push the Control knob towards [FM] or [AM].  
Select the "DEMO Mode"/ "DEMO" display.
- 2 Set the Demonstration mode**  
Press the Control knob for at least 2 seconds.  
Each time you press the knob for at least 2 seconds, the Demonstration mode alternates between the settings shown in the table below.

Display	Setting
"DEMO Mode : ON"/ "DEMO ON"	The Demonstration mode function is ON.
"DEMO Mode : OFF"/ "DEMO OFF"	Exit Demonstration mode (Normal mode).





## Basic Operations of remote control

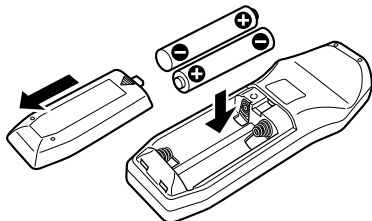


### Loading and Replacing the battery

Use two "AA"/ "R6"-size batteries.

Slide the cover while pressing downwards to remove it as illustrated.

Insert the batteries with the + and - poles aligned properly, following the illustration inside the case.



#### ⚠ WARNING

- Store unused batteries out of the reach of children. Contact a doctor immediately if the battery is accidentally swallowed.



- Do not set the remote control in hot places such as on the dashboard.

### Basic operations

#### [VOL] buttons

Adjusts the volume.

#### [SRC] button

Each time you press the button, the source alternates.

For the source alternating order refer to <Selecting the Source> (page 11).

#### [ATT] button

Turns the volume down quickly.

When the button is pressed again, the volume returns to the previous level.

## Audio Control

---

### [AUD] button

Selects the Audio item to be adjusted.

### [VOL] buttons

Adjusts the Audio item.



- Refer to <Audio Control> (page 12) for the operation method, such as the procedures for Audio control and others operations.
- The remote control can only select and adjust the Basic Audio item. Selecting and adjusting of the Detail Audio item cannot be done.

## Dual Zone System

---

### [2-ZONE] button

Each time you press the button, "2 ZONE"/"2ZON" of <Audio Setup> (page 13) is turned ON or OFF.

### [▲]/ [▼] buttons

Adjusts the volume of the rear channel.  
The rear channel activates while the Dual Zone System is ON.

## In Tuner source

---

### [FM]/ [AM] buttons

Selects the band.  
Each time you press the [FM] button, the band alternates between the FM1, FM2, and FM3 bands.

### [|◀◀|/ |▶▶|] buttons

Tune up or down band.

### [0] — [9] buttons

Press buttons [1] — [6] to recall preset stations.

### [DIRECT] button

Enters and cancels the <Direct Access Tuning> (page 25) mode.

### [▶ II] button

Enters and cancels the <PTY (Program Type)> (page 26) mode.

## In Disc/USB source

---

### [|◀◀|/ |▶▶|] buttons

Going forwards and backwards between track/ files.

### [+]/ [-] buttons

Going forwards and backwards between disc/ folders.

### [▶ II] button

Each time you press the button, the song pauses or plays.

### [0] — [9] buttons

When in <Direct Track/File Search> (page 30) and <Direct Disc Search> (page 30), enters the track/ file/disc number.

## In SIRIUS tuner source

---

### [FM] button

Selects the preset band.

### [|◀◀|/ |▶▶|] buttons

Searches up or down channels.

### [0] — [9] buttons

Press buttons [1] — [6] to recall preset channels.

### [DIRECT] button

Enters and cancels the <Direct Access Tuning> mode.

## ***Basic Operations of remote control***

---

### **In HD Radio source**

---

#### **[FM] button**

Selects the HD FM band.

Each time you press the [FM] button, the band alternates between the HF1, HF2, and HF3 bands.

#### **[AM] button**

Selects the HD AM band.

#### **[◀◀]/ [▶▶] buttons**

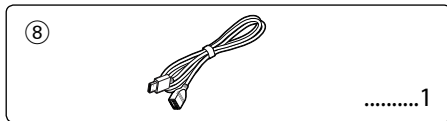
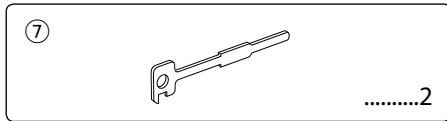
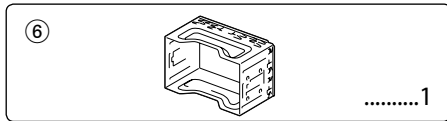
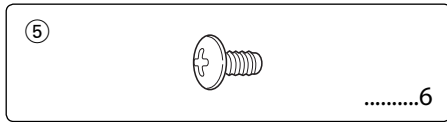
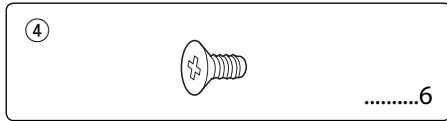
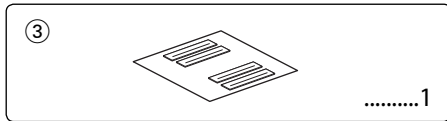
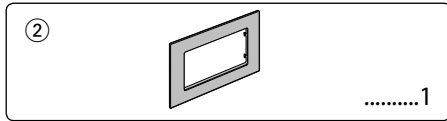
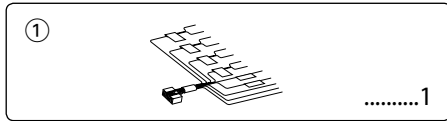
Tunes up or down bands.

#### **[0] — [9] buttons**

Press buttons [1] — [6] to recall preset stations.

# Accessories/ Installation Procedure

## Accessories



## Installation Procedure

1. To prevent a short circuit, remove the key from the ignition and disconnect the ⊖ battery.

2. Make the proper input and output wire connections for each unit.
3. Connect the speaker wires of the wiring harness.
4. Connect the wiring harness wires in the following order: ground, battery, ignition.
5. Connect the wiring harness connector to the unit.
6. Install the unit in your car.
7. Reconnect the ⊖ battery.
8. Press the reset button.

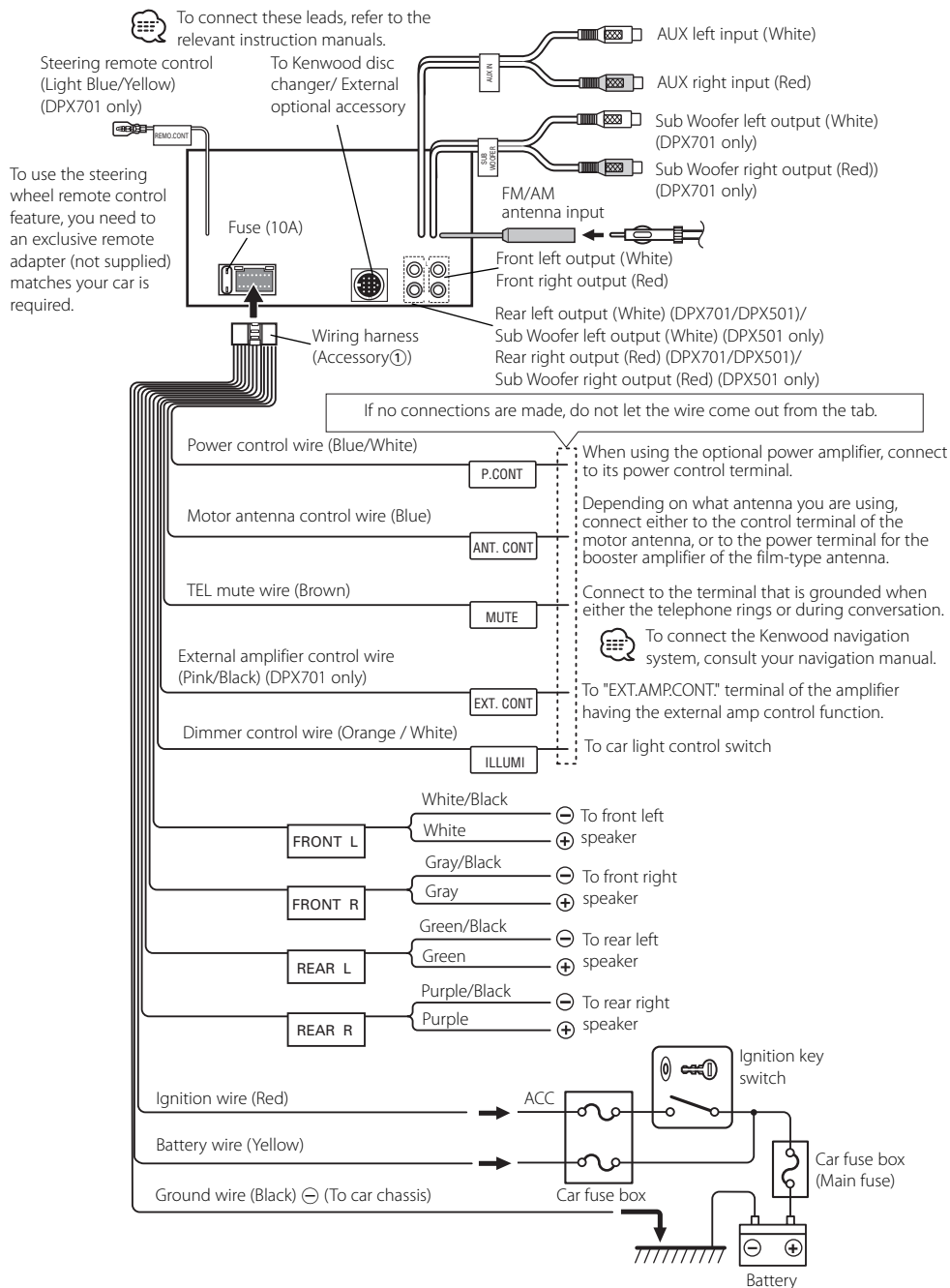
### ▲WARNING

If you connect the ignition wire (red) and the battery wire (yellow) to the car chassis (ground), you may cause a short circuit, that in turn may start a fire. Always connect those wires to the power source running through the fuse box.



- If the power is not turned ON (or it is ON, but will be OFF immediately), the speaker wire may have a short circuit or touched the chassis of the vehicle and the protection function may have been activated. Therefore, the speaker wire should be checked.
- If your car's ignition does not have an ACC position, connect the ignition wires to a power source that can be turned on and off with the ignition key. If you connect the ignition wire to a power source with a constant voltage supply, as with battery wires, the battery may die.
- If the console has a lid, make sure to install the unit so that the faceplate will not hit the lid when closing and opening.
- If the fuse blows, first make sure the wires aren't touching to cause a short circuit, then replace the old fuse with one with the same rating.
- Insulate unconnected wires with vinyl tape or other similar material. To prevent a short circuit, do not remove the caps on the ends of the unconnected wires or the terminals.
- Connect the speaker wires correctly to the terminals to which they correspond. The unit may be damaged or fail to work if you share the ⊖ wires or ground them to any metal part in the car.
- When only two speakers are being connected to the system, connect the connectors either to both the front output terminals or to both the rear output terminals (do not mix front and rear). For example, if you connect the ⊕ connector of the left speaker to a front output terminal, do not connect the ⊖ connector to a rear output terminal.
- After the unit is installed, check whether the brake lamps, blinkers, wipers, etc. on the car are working properly.
- Mount the unit so that the mounting angle is 30° or less.

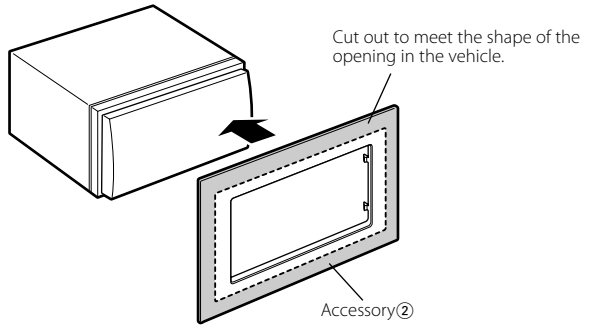
# Connecting Wires to Terminals



# Installing the Escutcheon

## For General Motors

- 1 Refer to the section <Removing the Hard Rubber Frame> (page 58) and then remove the hard rubber frame.
- 2 Cut out accessory ② to meet the shape of the opening of the center console.
- 3 Attach accessory ② to the unit.

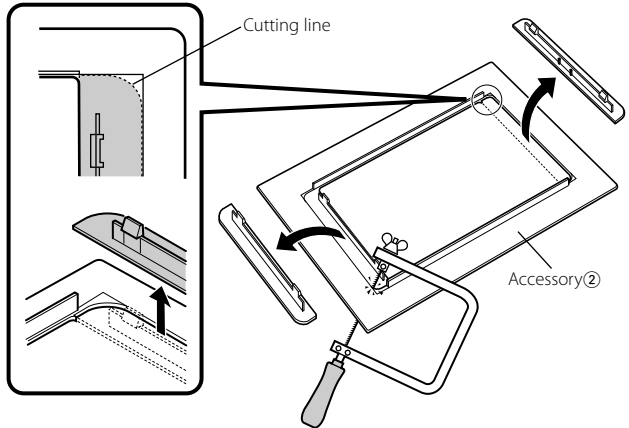


## For TOYOTA/ SCION

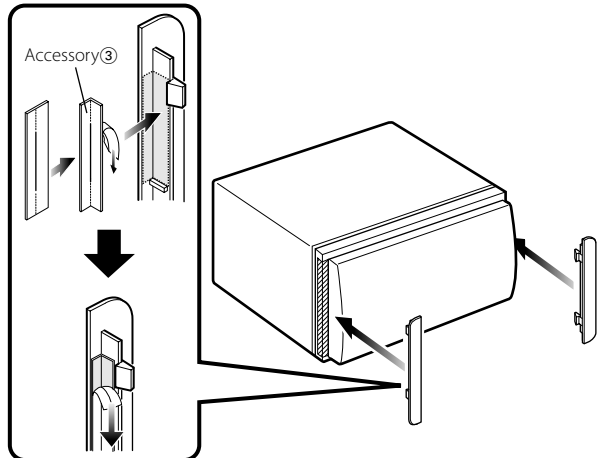
- 1 Refer to the section <Removing the Hard Rubber Frame> (page 58) and then remove the hard rubber frame.
- 2 Cut out accessory ② as illustrated.



- When cutting out accessory ②, make sure it fits the opening of the center console.

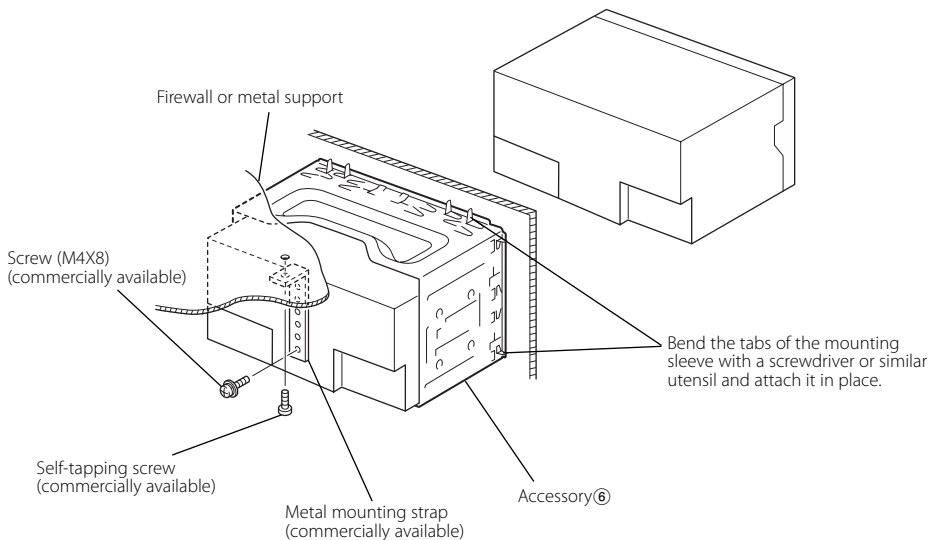


- 3 Fold double-sided adhesive (accessory ③) along the slit and attach it to accessory ② cut-out against the center rib as illustrated. Use 2 pieces of accessory ③ for 1 accessory ② cut-out.
- 4 Attach accessory ② cut-out to the unit.



# Installation

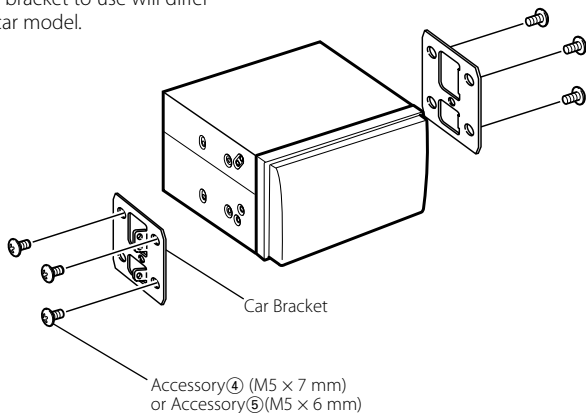
## Installing the Unit



## Installing in Japanese-Made Cars and General Motors Cars

Install onto the car bracket using the supplied screws (M5 × 6 mm, M5 × 7 mm).

The holes of the car bracket to use will differ depending on the car model.

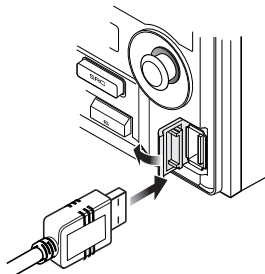




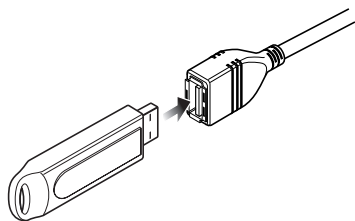
## USB Device Connection

---

- 1 Remove the cap and connect the USB cable (Accessory ⑧).



- 2 Connect the USB device to the unit using the supplied cable.





# Troubleshooting Guide

---

What might seem to be a malfunction in your unit may just be the result of slight misoperation or miswiring. Before calling service, first check the following table for possible problems.

## General

### ? The power does not turn ON.

- ✓ The fuse has blown.
    - ☞ After checking for short circuits in the wires, replace the fuse with one with the same rating.
- 

### ? There's a source you can't switch.

- ✓ There's no media inserted.
    - ☞ Set the media you want to listen to. If there's no media in this unit, you can't switch to each source.
  - ✓ The Disc changer isn't connected.
    - ☞ Connect the Disc changer. If the Disc changer isn't connected to its input terminal, You can't switch to an external disc source.
- 

### ? The memory is erased when the ignition is turned OFF.

- ✓ The ignition and battery wire are incorrectly connected.
    - ☞ Connect the wire correctly, referring to the section on <Connecting Wires to Terminals>.
- 

### ? There's no loudness effect.

- ✓ You're using Subwoofer preout.
    - ☞ Loudness has no effect in Subwoofer preout.
- 

### ? The TEL mute function does not work.

- ✓ The TEL mute wire is not connected properly.
    - ☞ Connect the wire correctly, referring to the section on <Connecting Wires to Terminals>.
- 

### ? The TEL mute function turns ON even though the TEL mute wire is not connected.

- ✓ The TEL mute wire is touching a metal part of the car.
    - ☞ Pull the TEL mute wire away from the metal part of the car.
- 

### ? Even if Loudness is turned ON, high-pitched tone isn't compensated for.

- ✓ Tuner source is selected.
    - ☞ High-pitched tone isn't compensated for when in Tuner source.
- 

### ? No sound can be heard, or the volume is low.

- ✓ The fader or balance settings are set all the way to one side.
    - ☞ Center the fader and balance settings.
  - ✓ The input/output wires or wiring harness are connected incorrectly.
    - ☞ Reconnect the input/output wires or the wiring harness correctly. See the section on <Connecting Wires to Terminals>.
  - ✓ The values of Volume offset are low.
    - ☞ Turn up the Volume offset, referring to the section on <Audio Setup> (page 13).
  - ✓ The <Built-in Amp Setting> (page 39) is OFF.
    - ☞ Turn it ON.
- 

### ? The sound quality is poor or distorted.

- ✓ One of the speaker wires is being pinched by a screw in the car.
    - ☞ Check the speaker wiring.
  - ✓ The speakers are not wired correctly.
    - ☞ Reconnect the speaker wires so that each output terminal is connected to a different speaker.
- 

### ? The Touch Sensor Tone doesn't sound.

- ✓ The preout jack is being used.
    - ☞ The Touch Sensor Tone can't be output from the preout jack.
  - ✓ The <Touch Sensor Tone> (page 38) is OFF.
    - ☞ Turn it ON.
- 

### ? Even though Synchronize Clock is ON, the clock can't be adjusted.

- ✓ The received RDS station isn't sending time data.
    - ☞ Receive another RDS station.
- 

### ? The Dimmer function does not work.

- ✓ The Dimmer wire is not connected correctly.
    - ☞ Check the Dimmer wire connection.
  - ✓ The <Dimmer> (page 39) is OFF.
    - ☞ Turn it ON.
- 

### ? The sound is not output from Subwoofer or it outputs the different sound.

- ✓ When "2 ZONE"/ "2ZON" of <Audio Setup> (page13) is set to ON.
    - ☞ Set "2 ZONE" of <Audio Setup> to OFF.
- 

### ? The display blacks out while scrolling.

- ✓ <Display Illumination Control> is set to OFF.
    - ☞ Refer to <Display Illumination Control> (page 39).
-

# Troubleshooting Guide

## Tuner source

### ? Radio reception is poor.

- ✓ The car antenna is not extended.
  - ☞ Pull the antenna out all the way.
- ✓ The antenna control wire is not connected.
  - ☞ Connect the wire correctly, referring to the section on <Connecting Wires to Terminals>.

### ? The desired frequency can't be entered with the Direct Access Tuning.

- ✓ A station that can't be received is being entered.
  - ☞ Enter a station that can be received.
- ✓ You're trying to enter a frequency with a 0.01 MHz unit.
  - ☞ What can be designated in the FM band is to 0.1 MHz.

### ? It isn't the set Traffic information sound volume.

- ✓ The set sound volume is less than the tuner sound volume.
  - ☞ If the tuner sound volume is louder than the set sound volume, the tuner sound volume is used.

## Disc source

### ? "AUX EXT" is displayed without achieving External disc control mode.

- ✓ Unsupported disc changer is connected.
  - ☞ Use the disc changer mentioned in the <About CD players/disc changers connected to this unit> (page 4) of the section on <Safety precautions>.

### ? The specified disc does not play, but another one plays instead.

- ✓ The specified CD is quite dirty.
  - ☞ Clean the CD.
- ✓ The disc is loaded in a different slot from that specified.
  - ☞ Eject the disc magazine and check the number for the specified disc.
- ✓ The disc is severely scratched.
  - ☞ Try another disc instead.

### ? A CD ejects as soon as it is loaded.

- ✓ The CD is quite dirty.
  - ☞ Clean the CD, referring to the CD cleaning of the section on <About CDs> (page 7).

### ? Can't remove disc.

- ✓ The cause is that more than 10 minutes has elapsed since the vehicle ACC switch was turned OFF.
  - ☞ The disc can only be removed within 10 minutes of the ACC switch being turned OFF. If more than 10 minutes has elapsed, turn the ACC switch ON again and press the Eject button.

### ? The disc won't insert.

- ✓ There's already another disc inserted.
  - ☞ Press the [▲] button and remove the disc.

### ? Direct Search can't be done.

- ✓ Another function is ON.
  - ☞ Turn Random Play or other functions OFF.

### ? Track Search can't be done.

- ✓ For the discs/folders first or last song.
  - ☞ For each disc/folder, Track Search can't be done in the backward direction for the first song or in the forward direction for the last song.≤

## Audio file source

### ? Cannot play an Audio file.

- ✓ The media is scratched or dirty.
  - ✎ Clean the media, referring to the CD cleaning of the section on <About CDs> (page 7).

### ? The sound skips when an Audio file is being played.

- ✓ The media is scratched or dirty.
  - ✎ Clean the media, referring to the CD cleaning of the section on <About CDs> (page 7).
- ✓ The recording condition is bad.
  - ✎ Record the media again or use another media.

### ? The Audio file track time isn't displayed correctly.

- ✓ ---
  - ✎ There are times when it isn't displayed correctly according to the Audio file recording conditions.

## HD Radio source

### ? No sound can be heard, or the volume is low.

- ✓ The preset broadcast station is not transmitting in the mode that was set with <Receive mode Setting> (page 44).
  - ✎ Please set <Receive mode Setting> to "Auto"/"AUTO".
- ✓ In digital AM broadcasting, receive mode switches between stereo and monaural too often.
  - ✎ Receiving condition is bad or unstable. Stereo is chosen when receiving condition is good, and it switches to monaural when the condition becomes bad.
- ✓ HD Radio tuner is connected to KCA-S210A or other units.
  - ✎ Connect the HD Radio tuner directly to this unit.

## USB device source

### ? The USB device is not detected.

- ✓ The USB connector is disconnected.
  - ✎ Connect the connector of the USB device properly.

### ? The USB device does not play its audio files.

- ✓ The USB connector is disconnected.
  - ✎ Connect the connector of the USB device properly.

## The messages shown below display your systems condition.

Eject/ EJECT: No disc magazine has been loaded in the changer. The disc magazine is not completely loaded.

- ⇄ Load the disc magazine properly.
- No CD in the unit.
- ⇄ Insert the CD.

No Disc/ NO DISC:  
No disc has been loaded in the disc magazine.

- ⇄ Load a disc into the disc magazine.

TOC Error/ TOC ERR:  
No disc has been loaded in the disc magazine.

- ⇄ Load a disc into the disc magazine. The CD is quite dirty. The CD is upside-down. The CD is scratched a lot.
- ⇄ Clean the CD and load it correctly.

Read Error/ READ ERR:

- The number of files or folders which are stored in the connected USB device is above the limitation.
- The file system of the connected USB device is broken.
- ⇄ Copy the files and folders for the USB device again referring to [www.kenwood.mediamanager.jp](http://www.kenwood.mediamanager.jp). If the error message is still displayed, initialize the USB device or use other USB devices.

Error 05/ E-05: The CD is upside-down.

- ⇄ Load the CD correctly.

Blank Disc/ BLANK:  
Nothing has been recorded on the MD.

No Track/ NO TRACK:  
No tracks are recorded on the MD, although it has a title.

Error 15/ E-15: Media was played that doesn't have data recorded that the unit can play.

- ⇄ Use media that has data recorded that the unit can play.

No Panel/ NO PANEL:  
The faceplate of the slave unit being connected to this unit has been removed.

- ⇄ Replace it.

Error 77/ E-77: The unit is malfunctioning for some reason.

- ⇄ Press the reset button on the unit. If the "Error 77/ E-77" code does not disappear, consult your nearest service center.

# Troubleshooting Guide

## Mecha Error/ E-99:

Something is wrong with the disc magazine. Or the unit is malfunctioning for some reason.

- ⇨ Check the disc magazine. And then press the reset button on the unit. If the "Mecha Error/ E-99" code does not disappear, consult your nearest service center.

## Hold Error/ HOLD:

The protective circuit in the unit activates when the temperature inside the automatic disc changer exceeds 60°C (140°F), stopping all operation.

- ⇨ Cool down the unit by opening the windows or turning on the air conditioner. As the temperature falls below 60°C (140°F), the disc will start playing again.

**No Name:** Attempted to display DNPS during the CD play having no disc names preset.

## Waiting/ WAITING:

- Radio text data is being received.
- Text for the SIRIUS tuner source is being received.

**Load/ LOAD:** Discs are being exchanged in the Disc changer.

## Reading/ READING:

The unit is reading the data on the disc.

**IN (Blink):** The CD player section is not operating properly.

- ⇨ Reinsert the CD. If the CD cannot be ejected or the display continues to flash even when the CD has been properly reinserted, please switch off the power and consult your nearest service center.

## Protect/ PROTECT (Blink):

The speaker wire has a short-circuit or touches the chassis of the vehicle, and then the protection function is activated.

- ⇨ Wire or insulate the speaker cable properly and press the reset button.

## Unsupported File/ NA FILE:

An Audio file is played with a format that this unit can't support.

- ⇨ ----

## Copy Protection/ COPY PRO:

A copy-protected file is played.

- ⇨ ----

## DEMO MODE (Blink):

The Demonstration mode has been selected.

- ⇨ The <Demonstration mode Setting> (page 48) is ON. Turn it OFF.

## No Device/ NO DEVICE:

The USB device is selected as a source although no USB device is connected.

- ⇨ Change the source to any source other than USB. Connect an USB device, and change the source to USB again.

## N/A Device/ NA DEVICE:

An unsupported USB device is connected.

- ⇨ For the supported USB devices, refer to <About USB device> (page 10).

## No Music Data/ NO MUSIC:

- The connected USB device contains no playable audio file.
- Media was played that doesn't have data recorded that the unit can play.
- ⇨ Use media that has data recorded that the unit can play.

## USB Error/ USB ERR:

The connected USB device is rated a current capacity higher than the allowable limit.

- ⇨ Check the USB device with reference to <About USB device> (page 10). Some trouble may have occurred to the connected USB device.
- ⇨ Remove the USB device and then reconnect it. When the same message displays again, use another USB device.

# Specifications

---

Specifications subject to change without notice.

## FM tuner section

---

- Frequency range (200 kHz space)
  - : 87.9 MHz – 107.9 MHz
- Usable sensitivity (S/N = 30dB)
  - : 9.3dBf (0.8  $\mu$ V /75  $\Omega$ )
- Quieting Sensitivity (S/N = 50dB)
  - : 15.2dBf (1.6  $\mu$ V /75  $\Omega$ )
- Frequency response ( $\pm$ 3.0 dB)
  - : 30 Hz – 15 kHz
- Signal to Noise ratio (MONO)
  - : 70 dB
- Selectivity ( $\pm$ 400 kHz)
  - :  $\geq$  80 dB
- Stereo separation (1 kHz)
  - : 40 dB

## AM tuner section

---

- Frequency range (10 kHz space)
  - : 530 kHz – 1700 kHz
- Usable sensitivity (S/N = 20dB)
  - : 28 dB $\mu$  (25  $\mu$ V)

## CD player section

---

- Laser diode
  - : GaAlAs
- Digital filter (D/A)
  - : 8 Times Over Sampling
- D/A Converter
  - : 1 Bit
- Spindle speed (Audio file)
  - : 500 – 200 rpm (CLV)
- Wow & Flutter
  - : Below Measurable Limit
- Frequency response ( $\pm$ 1 dB)
  - : 10 Hz – 20 kHz
- Total harmonic distortion (1 kHz)
  - : 0.008 %
- Signal to Noise ratio (1 kHz)
  - DPX701: 110 dB
  - DPX501: 105 dB
- Dynamic range
  - : 93 dB
- MP3 decode
  - : Compliant with MPEG-1/2 Audio Layer-3
- WMA decode
  - : Compliant with Windows Media Audio
- AAC decode
  - : AAC-LC ".m4a" files

## USB Interface

---

- USB Standard
  - : USB 1.1/ 2.0
- Maximum Supply current
  - : 500 mA
- File System
  - : FAT16/ 32
- MP3 decode
  - : Compliant with MPEG-1/2 Audio Layer-3
- WMA decode
  - : Compliant with Windows Media Audio
- AAC decode
  - : AAC-LC ".m4a" files

## Audio section

---

- Maximum output power
  - : 50 W x 4
- Full Bandwidth Power (at less than 1% THD)
  - : 22 W x 4
- Speaker impedance
  - : 4 – 8  $\Omega$
- Tone action
  - Bass : 100 Hz  $\pm$ 8 dB
  - Middle : 1 kHz  $\pm$ 8 dB
  - Treble : 10 kHz  $\pm$ 8 dB
- Preout level / Load
  - DPX701: 5000 mV/10 k $\Omega$  (during disc play)
  - DPX501: 2500 mV/10 k $\Omega$
- Preout impedance
  - DPX701:  $\leq$  80  $\Omega$
  - DPX501:  $\leq$  600  $\Omega$

## Auxiliary input

---

- Frequency response ( $\pm$ 1 dB)
  - : 20 Hz – 20 kHz
- Input Maximum Voltage
  - : 1200 mV
- Input Impedance
  - : 100 k $\Omega$

## General

---

- Operating voltage (11 – 16V allowable)
  - : 14.4 V
- Current consumption
  - : 10 A
- Installation Size (W x H x D)
  - : 182 x 112 x 159 mm
  - 7-3/16 x 4-7/16 x 6-1/4 inch
- Weight
  - DPX701: 3.62 lbs (1.64 kg)
  - DPX501: 3.53 lbs (1.60 kg)

---

# KENWOOD



## Free Manuals Download Website

<http://myh66.com>

<http://usermanuals.us>

<http://www.somanuals.com>

<http://www.4manuals.cc>

<http://www.manual-lib.com>

<http://www.404manual.com>

<http://www.luxmanual.com>

<http://aubethermostatmanual.com>

Golf course search by state

<http://golfingnear.com>

Email search by domain

<http://emailbydomain.com>

Auto manuals search

<http://auto.somanuals.com>

TV manuals search

<http://tv.somanuals.com>