

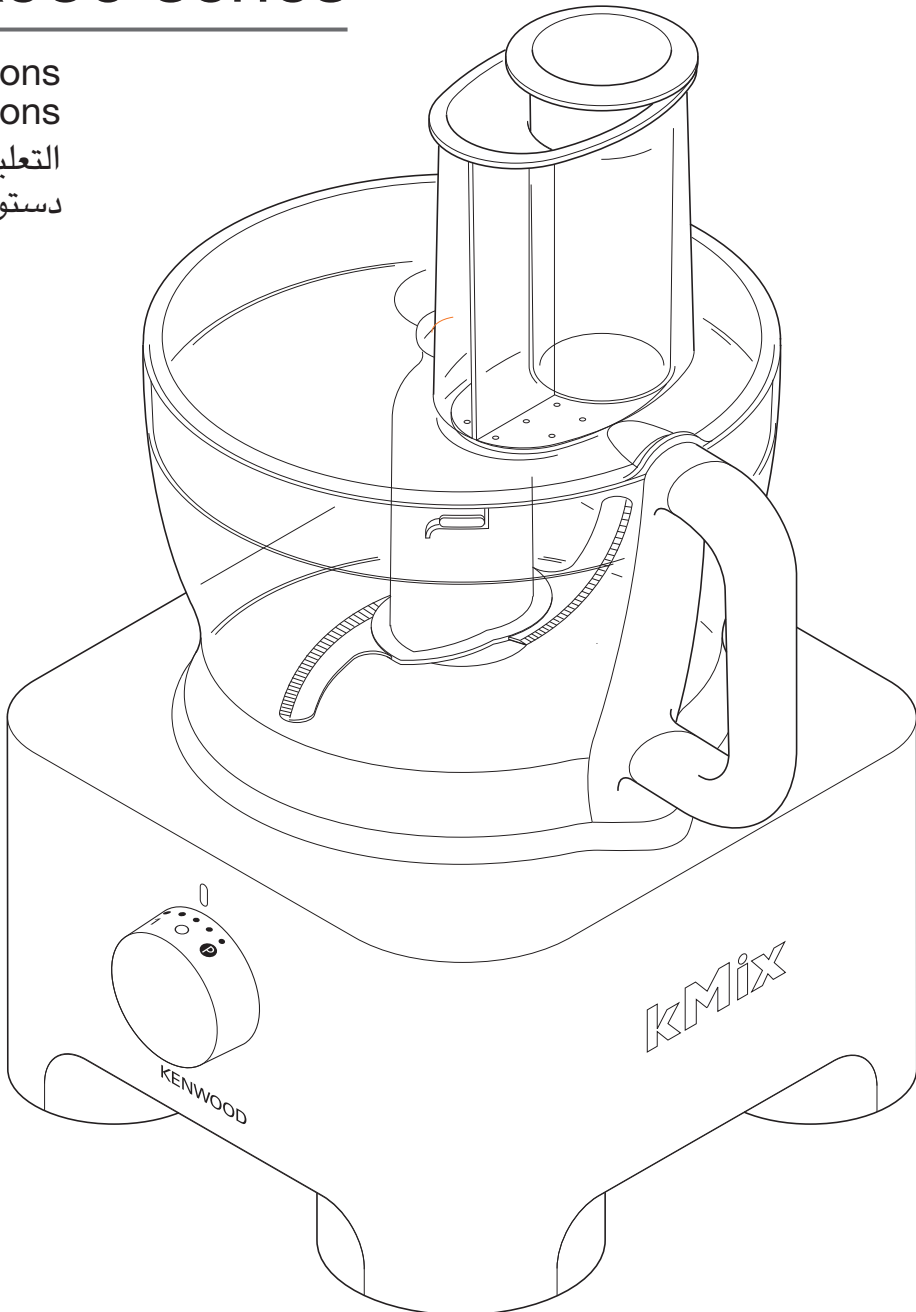
KENWOOD

kMix

FPX930 series

instructions
instructions

التعليمات
دستور العملها

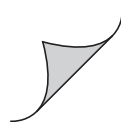


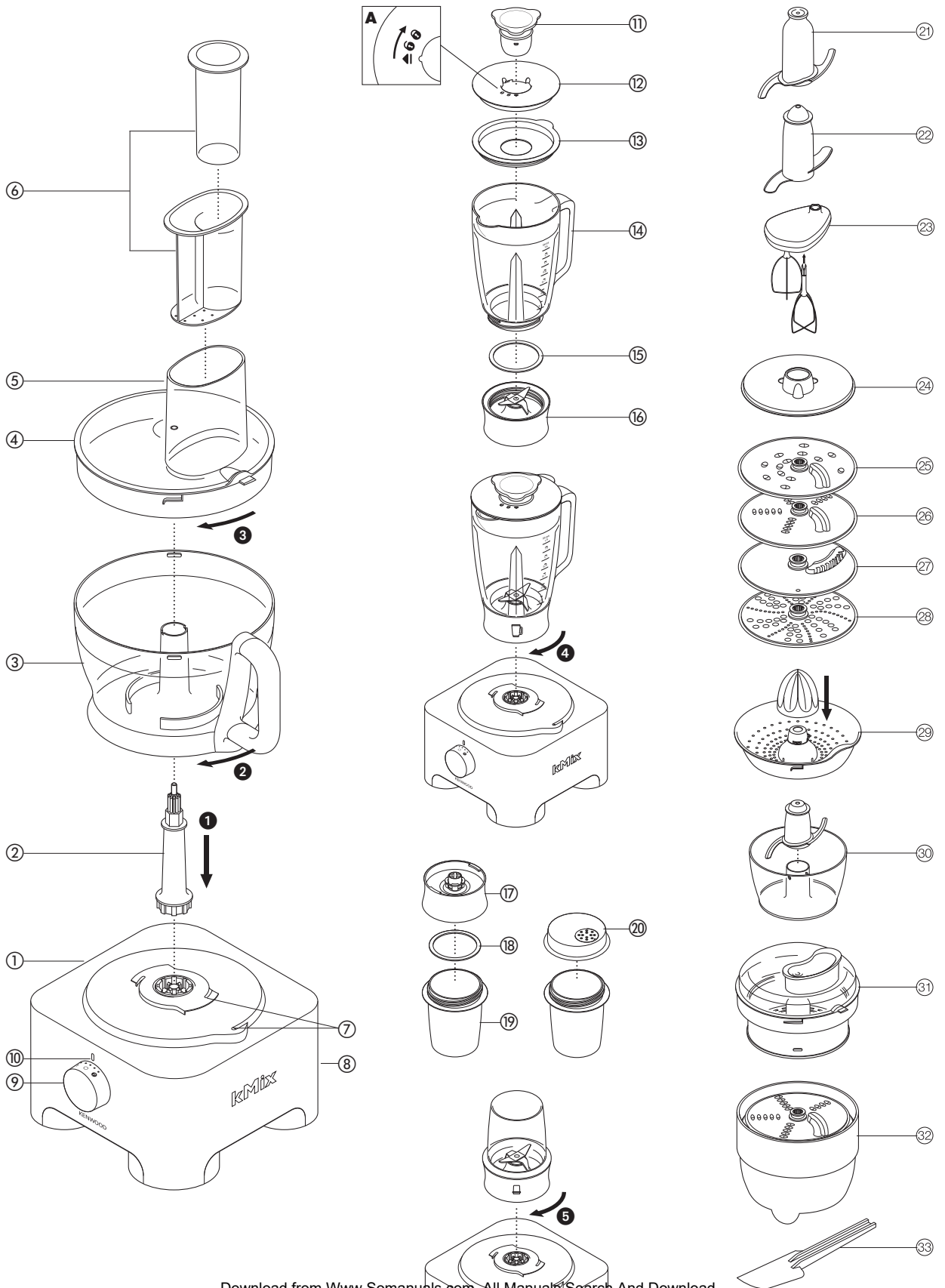
English 2 - 8

Français 9 - 17

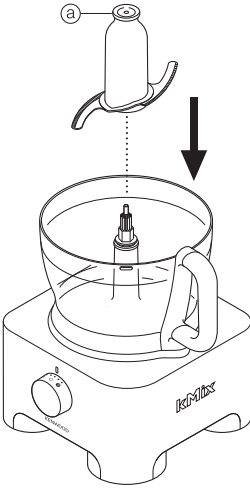
عربي ٣١ - ٢٥

فارسی ٢٤ - ١٨

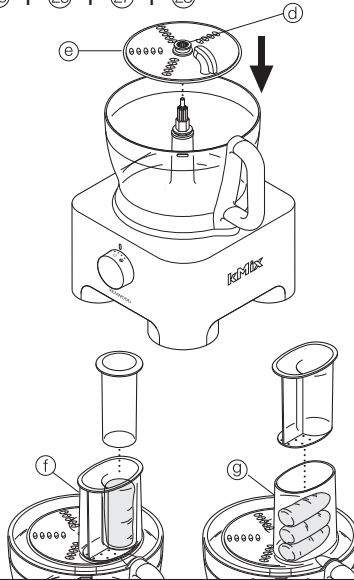




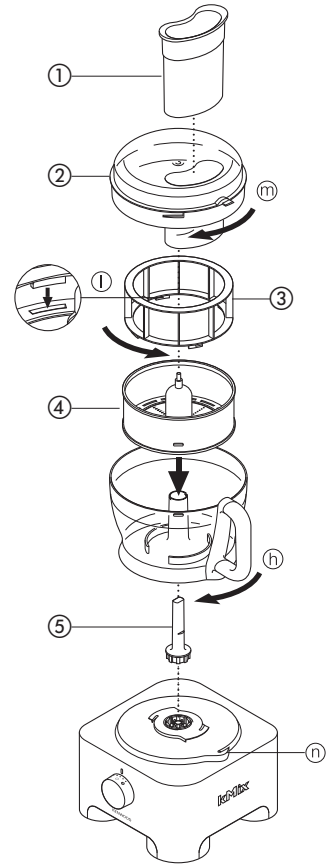
21 + 22



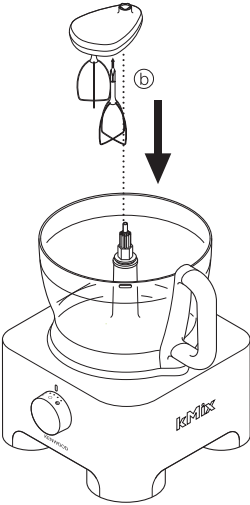
25 + 26 + 27 + 28



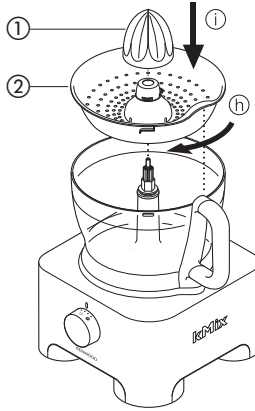
31



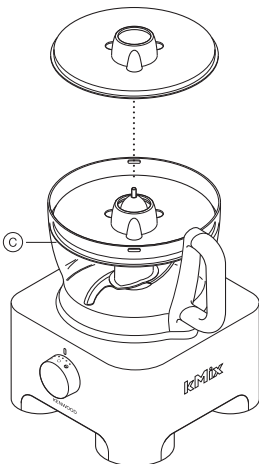
23



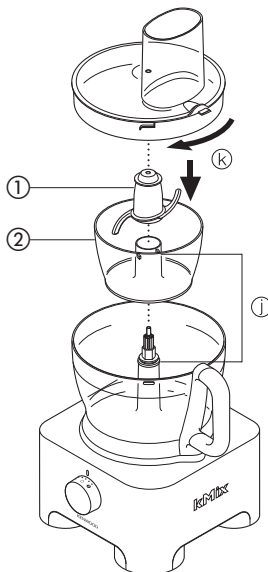
29



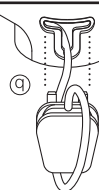
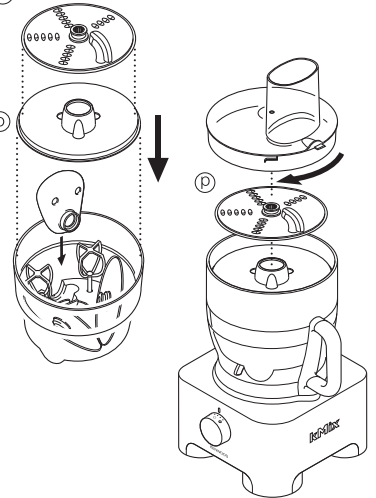
24



30



32



before using your Kenwood appliance

- Read these instructions carefully and retain for future reference.
- Remove all packaging and any labels.

safety

- The blades and discs are very sharp, handle with care.
Always hold by the finger grip at the top, (a) away from the cutting edge, both when handling and cleaning.
- Do not lift or carry the processor by the handle - or the handle may break resulting in injury.
- Always remove the knife blade before pouring contents from the bowl.
- Keep hands and utensils out of the processor bowl and liquidiser goblet whilst connected to the power supply.
- Switch off and unplug:
 - before fitting or removing parts
 - when not in use
 - before cleaning
- Never use your fingers to push food down the feed tube. Always use the pusher/s supplied.
- **Never fit the blade unit to the power unit without the liquidiser or mill jar fitted.**
- Before removing the lid from the bowl or liquidiser or mini chopper/mill from the power unit:-
 - switch off;
 - wait until the attachment/blades have completely stopped;
 - be careful not to unscrew the liquidiser goblet or mini chopper/mill from the blade assembly.
- Liquids should be allowed to cool to room temperature before blending.
- Do not use the lid to operate the processor, always use the on/off speed control.
- **This appliance will be damaged and may cause injury if the interlock mechanism is subjected to excessive force.**
- **Always unplug your food processor when not in use.**
 - Never use an unauthorised attachment.
 - Never leave the appliance unattended when it is operating.
 - Never use a damaged appliance. Get it checked or repaired: see 'service & customer care'.
 - Never let the power unit, cord or plug get wet.
 - Don't let excess cord hang over the edge of a table or worktop or touch hot surfaces.
 - Do not exceed the maximum capacities stated in the recommended speed chart.
 - This appliance is not intended for use by persons (including children) with reduced physical, sensory or mental capabilities, or lack of experience and knowledge, unless they have been given supervision or instruction concerning use of the appliance by a person responsible for their safety.
 - Children should be supervised to ensure that they do not play with the appliance.
 - Only use the appliance for its intended domestic use. Kenwood will not accept any liability if the appliance is subject to improper use, or failure to comply with these instructions.

- Misuse of your processor/liquidiser can result in injury.
- The maximum rating is based on the attachment that draws the greatest load. Other attachments may draw less power.
Refer to the relevant section under "using the attachments" for additional safety warnings for each individual attachment.

before plugging in

- Make sure your electricity supply is the same as the one shown on the underside of your appliance.
- This appliance conforms to EC directive 2004/108/EC on Electromagnetic Compatibility and EC regulation no. 1935/2004 of 27/10/2004 on materials intended for contact with food.

before using for the first time

- 1 Remove the plastic blade covers from the knife blade. **Take care the blades are very sharp.** These covers should be discarded as they are to protect the blade during manufacture and transit only.
- 2 Wash the parts see 'care & cleaning'

key

processor

- ① power unit
- ② detachable drive shaft
- ③ bowl
- ④ lid
- ⑤ feed tube
- ⑥ pushers
- ⑦ safety interlocks
- ⑧ cord storage (at back)
- ⑨ speed/pulse control
- ⑩ power on light

liquidiser

- ⑪ filler cap
- ⑫ lid
- ⑬ lid seal
- ⑭ goblet
- ⑮ sealing ring
- ⑯ blade unit

mini chopper/mill

- ⑰ blade unit
- ⑱ sealing ring
- ⑲ jar
- ⑳ sprinkler lid

additional attachments

- ⑳ knife blade
- ㉑ dough tool
- ㉒ twin beater geared metal whisk
- ㉓ maxi-blend canopy
- ㉔ thick slicing/coarse grating disc
- ㉕ thin slicing/fine grating disc
- ㉖ fine (Julienne style) chipper disc
- ㉗ rasping/parmesan disc
- ㉘ citrus juicer
- ㉙ mini processor bowl
- ㉚ centrifugal juicer
- ㉛ KENSTORE™ attachments carousel
- ㉜ spatula

choosing a speed for all functions

tool/Attachment	function	speed	maximum capacities
knife blade	One Stage Cake Mix	1 – 8	1.5Kg
	Pastry - rubbing fat into flour	5 – 8	340g
	Adding water to combine pastry ingredients	1 – 5	
	Chopping/pureeing/pates	8	600g
knife blade with maxi-blend canopy	Soups – start at a low speed and move up to Max	1 – 8	1.5 litres
whisk	Egg Whites	8	6 Egg Whites
	Egg & sugar for fatless sponges	8	
	Cream	5 – 8	500 mls
dough tool	Yeast mixes	8	600g
discs – slicing/grating/chipping	Firm food items such as carrots, hard cheese.	5 – 8	
	Softer items such as cucumbers, tomatoes	1 – 5	
rasping disc	Parmesan cheese, Potato for German potato dumplings	8	
citrus juicer	Citrus fruits	1	
mini bowl	All processing	8	200g
liquidiser	All processing	8	1.5 litres
mini chopper/mill	Herbs	8	10g
	Nuts & Coffee Beans	8	50g
centrifugal juicer	Fruits & Vegetables	8	500g

to use your food processor

- 1 Fit the detachable shaft onto the power unit ❶.
 - 2 **Then** fit the bowl. Place the handle towards the back and turn clockwise until it locks ❷.
 - 3 Fit an attachment over the drive shaft.
 - Always fit the bowl and attachment onto the processor before adding ingredients.
 - 4 Fit the lid ❸ - ensuring the top of the drive shaft locates into the centre of the lid.
 - **Do not use the lid to operate the processor, always use the on/off speed control.**
 - 5 Plug in and the power on light will come on. Switch on and select a speed. (Refer to the recommended speed chart).
 - **The processor will not operate if the bowl or lid are not fitted correctly to the interlock. Check that the feed tube and bowl handle are situated to the right hand side.**
 - Use the pulse (P) for short bursts. The pulse will operate for as long as the control is held in position.
 - 6 Reverse the above procedure to remove the lid, attachments and bowl.
 - **Always switch off and unplug before removing the lid.**
- important**
- Your processor is not suitable for crushing or grinding coffee beans, or converting granulated sugar to caster sugar.
 - When adding almond essence or flavouring to mixtures avoid contact with the plastic as this may result in permanent marking.

to use your liquidiser

- 1 Fit the sealing ring ❶ into the blade unit ❷ - ensuring the seal is located correctly. **Leaking will occur if the seal is damaged or incorrectly fitted.**
 - 2 Screw the goblet onto the blade assembly.
 - 3 Put your ingredients into the goblet.
 - 4 Push the lid seal onto the underside of the lid.
 - 5 Fit and lock the filler cap in the lid, by turning one position ❸.
 - 6 Fit the lid to the goblet and turn the filler cap to ❹ to lock.

The filler cap can be located in 3 different positions (see A)

 - ▲ - filler cap removable for adding ingredients to the goblet.
 - ❸ - lid unlocked/filler cap locked to the lid for fitting and removing the lid.
 - ❹ - lid locked.
 - 7 Place the liquidiser onto the power unit and turn to lock ❺.
 - **The appliance will not operate if the liquidiser is incorrectly fitted to the interlock.**
 - 8 Select a speed (refer to the recommended speed chart) or use the pulse control.
 - **Liquids should be allowed to cool to room temperature before blending.**
- hints**
- When making mayonnaise, put all the ingredients, except the oil into the liquidiser. Then with the machine running, pour the oil into the filler cap and let it run through.
 - Thick mixtures, eg pates and dips, may need scraping down. If it's difficult to process, add more liquid.
 - Ice crushing - operate the pulse in short bursts until crushed to the desired consistency.
 - To ensure the long life of your liquidiser, never run it for longer than 60 seconds. Switch off as soon as you've got the right consistency.

- The processing of spices is not recommended as they may damage the plastic parts.
- The appliance will not work if the liquidiser is incorrectly fitted.
- To blend dry ingredients - cut into pieces, remove the filler cap, then with the appliance running, drop the pieces down one by one. Keep your hand over the opening. For best results empty regularly.
- Don't use the liquidiser as a storage container. Keep it empty before and after use.
- Never blend more than 1½ litres - less for frothy liquids like milkshakes.

Note: The mini chopper/mill base is not interchangeable with the glass liquidiser goblet. The processor will not operate if the wrong base is fitted. Refer to graphics on blade unit bases.

to use your mini chopper/mill

Use the mini chopper/mill for milling herbs, nuts and coffee beans.

- 1 Put your ingredients into the jar.
 - 2 Fit the sealing ring into the blade unit ⑰.
 - 3 Turn the blade unit upside down. Lower it into the jar, blades down.
 - 4 Screw the blade unit onto the jar until it is finger tight.
 - 5 Place the mini chopper/mill onto the power unit and turn to lock ⑤.
 - 6 Switch on to maximum speed or use the pulse control.
 - 7 After milling, you can replace the blade unit with the sprinkler lid and shake out your food.
- The sprinkler lid is not airtight.

safety

- Never fit the blade unit to your food processor without the jar fitted.
- Never unscrew the jar while the mini chopper/mill is fitted to your appliance.
- Do not touch the sharp blades – Keep the blade unit away from children.
- Never remove the mini chopper/mill until the blades have completely stopped.
- To ensure the long life of your mini chopper/mill, never run for longer than 30 seconds. Switch off as soon as you have got the right consistency.
- The processing of spices is not recommended as they may damage the plastic parts.
- The appliance will not work if the mini chopper/mill is incorrectly fitted.
- Use for dry ingredients only.

hints

Herbs are best milled when clean and dry.

- **Note: The mini chopper/mill base is not interchangeable with the glass liquidiser goblet. The processor will not operate if the wrong base is fitted. Refer to graphics on blade unit bases.**

using the attachments

Refer to recommended speed chart for each attachment.

⑰ knife blade

The knife blade is the most versatile of all the attachments. The length of the processing time will determine the texture achieved. For coarser textures use the pulse control. Use the knife blade for cake and pastry making, chopping raw and cooked meat, vegetables, nuts, pate, dips, pureeing soups and to also make crumbs from biscuits and bread.

hints

- Cut food such as meat, bread, vegetables into cubes approximately 2cm³/in before processing.
- Biscuits should be broken into pieces and added down the feed tube whilst the machine is running.
- When making pastry use fat straight from the fridge cut into 2cm³/in.cubes.
- Take care not to over-process.

⑳ dough tool

Use for yeasted dough mixes.

- Place the dry ingredients in the bowl and add the liquid down the feed tube whilst the machine is running. Process until a smooth elastic ball of dough is formed this will take 60 - 90 secs.
- Re-knead by hand only. Re-kneading in the bowl is not recommended as it may cause the processor to become unstable.

㉑ twin beater geared whisk

Use for light mixtures only eg egg whites, cream, evaporated milk and for whisking eggs and sugar for fatless sponges. Heavier mixtures such as fat and flour will damage it.

using the whisk

- 1 Fit the drive shaft and bowl onto the power unit.
- 2 Push each beater securely into the drive head ①.
- 3 Fit the whisk by carefully turning until it drops over the drive shaft.
- 4 Add the ingredients.
- 5 Fit the lid - ensuring the end of the shaft locates into the centre of the lid.
- 6 Switch on.

important

- **The whisk is not suitable for making one-stage cakes or creaming fat and sugar as these mixes will damage it. Always use the knife blade for cake making.**

hints

- Best results are obtained when the eggs are at room temperature.
- Ensure the bowl and whisks are clean and free from grease before whisking.
- Carefully fold in flour and sugar by hand using a metal spoon for fatless sponges and meringues.

24 maxi-blend canopy

When blending liquids, use the maxi-blend canopy with the knife blade. It allows you to increase the liquid processing capacity from 1 litre to 1.5 litres, prevents leaking and improves the chopping performance of the blade.

- 1 Fit the drive shaft and bowl onto the power unit.
- 2 Fit the knife blade.
- 3 Add ingredients to be processed.
- 4 Fit the canopy over the top of the blade ensuring it sits on the ledge inside the bowl (Ⓒ). **Do not push down on the canopy, hold by the centre grip.**
- 5 Fit the lid and switch on.

slicing/grating discs

reversible slicing/grating discs - thick (25), **thin** (26)

Use the grating side for cheese, carrots, potatoes and foods of a similar texture.

Use the slicing side for cheese, carrots, potatoes, cabbage, cucumber, courgette, beetroot and onions.

fine (Julienne style) chipper disc (27)

Use to cut: potatoes for Julienne style French fries; firm ingredients for salads, garnishes, casseroles and stir fries (eg carrot, swede, courgette, cucumber).

rasping disc (28)

Grates Parmesan cheese and potatoes for German potato dumplings.

safety

- **Never remove the lid until the cutting disc has completely stopped.**
- **Handle the cutting discs with care - they are extremely sharp**

to use the cutting discs

- 1 Fit the drive shaft and bowl onto the power unit.
- 2 Holding by the centre grip (Ⓐ), place the disc onto the drive shaft with the appropriate side uppermost (Ⓔ).
- 3 Fit the lid.
- 4 Choose which size feed tube you want to use. The pusher contains a smaller feed tube for processing individual items or thin ingredients.
To use the small feed tube - first put the large pusher inside the feed tube.
To use the large feed tube - use both pushers together.
- 5 Put the food in the feed tube.
- 6 Switch on and push down evenly with the pusher - **never put your fingers in the feed tube.**

hints

- Use fresh ingredients
- Don't cut food too small. Fill the width of the large feed tube fairly full. This prevents the food from slipping sideways during processing. Alternatively use the small feed tube.
- When using the chipper disc, place ingredients horizontally.
- When slicing or shredding: food placed upright (Ⓕ) comes out shorter than food placed horizontally (Ⓖ).
- There will always be a small amount of waste on the plate or in the bowl after processing.

29 citrus juicer

Use the citrus juicer to squeeze the juice from citrus fruits (eg oranges, lemons, limes and grapefruits).

- ① cone
- ② sieve

to use the citrus juicer

- 1 Fit the drive shaft and bowl onto the power unit.
- 2 Fit the sieve into the bowl - ensuring the sieve handle is locked into position directly over the bowl handle (Ⓗ).
- 3 Place the cone over the drive shaft turning until it drops all the way down (Ⓐ).
- 4 Cut the fruit in half. Then switch on and press the fruit onto the cone.

● **The citrus juicer will not operate if the sieve is not locked correctly.**

- For best results store and juice the fruit at room temperature and hand roll on a worktop before juicing.
- To help with juice extraction move the fruit from side to side when juicing.
- When juicing large quantities, empty the strainer regularly to prevent the build up of pulp and seeds.

30 mini processor bowl

Use the mini processor bowl to chop herbs and process small quantities of ingredients e.g. meat, onion, nuts, mayonnaise, vegetables, purées, sauces and baby food.

- ① mini processor knife blade
- ② mini processor bowl

to use the mini processor bowl

- 1 Fit the drive shaft and bowl onto the power unit.
- 2 Fit the mini processor bowl - ensuring the ribs on the inside of the mini bowl chimney align with the slots in the main bowl chimney (Ⓐ).
- 3 Place the knife blade over the drive shaft (Ⓕ).
- 4 Add the ingredients to be processed.
- 5 Fit the lid and switch on.

safety

- Never remove the lid until the knife blade has completely stopped.
- The knife blade is very sharp - always handle with care.

important

- Do not process spices - they may damage the plastic.
- Do not process hard food such as coffee beans, ice cubes or chocolate - they may damage the blade.

hints

- Herbs are best chopped when clean and dry.
- Always add a little liquid when blending cooked ingredients to make baby food.
- Cut foods such as meat, bread, vegetables into cubes approximately 1-2 cm (½ - ¾ in) before processing.
- When making mayonnaise add the oil down the feed tube.

③1 metal centrifugal juicer

Use the centrifugal juicer for making juice from firm fruit and vegetables.

- ① pusher
- ② centrifugal lid
- ③ pulp remover
- ④ filter drum
- ⑤ juicer drive shaft

to use the centrifugal juicer

- 1 Fit the juicer drive shaft and bowl onto the power unit.
 - 2 Place the pulp remover ③ into the filter drum ④ - ensuring the tabs locate with the slots in the bottom of the drum ①.
 - 3 Fit the filter drum ④.
 - 4 Place the attachment lid ② onto the bowl and turn until it locks ⑩. **Your juicer will not operate if the bowl or lid are not fitted correctly into the interlock ⑩.**
 - 5 Place a suitable glass or jug under the juice outlet.
 - 6 Cut the food to fit the feed tube.
 - 7 Switch on and push down evenly with the pusher - **never put your fingers in the feed tube.** Process fully before adding more.
- After adding the last piece, let the juicer run for a further 30 seconds to extract all the juice from the filter drum.

safety

- **Do not use the juicer if the filter is damaged.**
- The cutting blades on the base of the filter drum are very sharp, take care when handling and cleaning the drum.
- Only use the pusher supplied. Never put your fingers in the feed tube. Unplug before unblocking the feed tube.
- Before removing the lid, switch off and wait for the filter to stop.

important

- If the juicer starts to vibrate, switch off and empty the pulp from the drum. (The juicer vibrates if the pulp becomes unevenly distributed).
- Maximum capacity that can be processed at one time is 500g of fruit or vegetables.
- Some very hard foods may make your juicer slow down or stop. If this happens switch off and unblock the filter.
- Switch off and clear the pulp collector regularly during use.

hints

- Before processing remove stones and pips (eg pepper, melon, plum) and tough skins (eg melon, pineapple). You don't need to peel or core apples and pears.
- Use firm, fresh fruit and vegetables.
- Citrus fruit - peel and remove the white pith, otherwise the juice may taste bitter. For best results use the citrus juicer.

③2 KENSTORE™ attachments carousel

Your food processor is supplied with an attachment storage carousel that fits inside the bowl.

to use the storage carousel

- 1 Fit the knife blade to the bowl.
- 2 Then fit the whisk, discs and canopy into the carousel ⑪.
- 3 Fit the carousel over the knife blade and place the processor lid on top ⑫.

care & cleaning

- Always switch off and unplug before cleaning.
- **Handle the blades and cutting discs with care - they are extremely sharp.**
- Some foods may discolour the plastic. This is perfectly normal and won't harm the plastic or affect the flavour of your food. Rub with a cloth dipped in vegetable oil to remove the discolouration.

power unit

- Wipe with a damp cloth, then dry. Ensure that the interlock area is clear of food debris.
- Store excess cord in the storage area at the back of the power unit ⑬.

liquidiser/mini chopper/mill

- 1 Empty the goblet/jar before unscrewing it from the blade unit.
- 2 Wash the goblet/jar by hand.
- 3 Remove and wash the seals.
- 4 Don't touch the sharp blades – brush them clean using hot soapy water, then rinse thoroughly under the tap. **Don't immerse the blade unit in water.**
- 5 Leave to dry upside down.

twin beater geared whisk

- Detach the beaters from the drive head by gently pulling them free. Wash in warm soapy water.
- Wipe the drive head with a damp cloth, then dry.
- **Do not immerse the drive head in water.**

centrifugal filter drum

- Lift out the pulp remover and tap lightly to release the pulp.
- Clean using a soft brush.
- **Check the filter regularly for signs of damage. Do not use if the filter is damaged. Refer to "service and customer care".**

all other parts

- Wash by hand, then dry.
- Alternatively they are dishwasher safe and can be washed on the top rack of your dishwasher. Avoid placing items on the bottom rack directly over the heating element. A short low temperature (Maximum 50°C) programme is recommended.

item	suitable for dishwashing
main bowl, lid, pusher	✓
knife blades, dough tool	✓
whisk beaters Do not immerse the drive head in water	✓
detachable drive shaft	✓
discs	✓
citrus juicer	✓
centrifugal juicer	✓
mini bowl and knife	✓
liquidiser goblet, lid, filler cap	✓
mill jar	✓
blade unit and seal for liquidiser and mini chopper/mill	x
spatula	✓
storage carousel	✓

service & customer care

- If the cord is damaged it must, for safety reasons, be replaced by KENWOOD or an authorised KENWOOD repairer.
- **If you experience any problems with the operation of the processor, before calling for assistance refer to the troubleshooting guide.**
 - If you need help with:
 - using your appliance or
 - servicing or repairs
 - Contact the shop where you purchased your appliance.
 - Designed and engineered by Kenwood in the UK.
 - Made in China.



IMPORTANT INFORMATION FOR CORRECT DISPOSAL OF THE PRODUCT IN ACCORDANCE WITH EC DIRECTIVE 2002/96/EC.

At the end of its working life, the product must not be disposed of as urban waste. It must be taken to a special local authority differentiated waste collection centre or to a dealer providing this service. Disposing of a household appliance separately avoids possible negative consequences for the environment and health deriving from inappropriate disposal and enables the constituent materials to be recovered to obtain significant savings in energy and resources. As a reminder of the need to dispose of household appliances separately, the product is marked with a crossed-out wheeled dustbin.

troubleshooting guide

Problem	Cause	Solution
The processor will not operate	No power/indicator light not lit. Bowl not fitted to power unit correctly. Bowl lid not locked on correctly.	Check processor is plugged in Check bowl is located correctly and the handle is situated towards the right hand side. Check that the lid interlock is located correctly into the handle area. The processor will not work if the bowl and lid are fitted incorrectly. If none of the above check the fuse/circuit breaker in your home.
Liquidiser/mini chopper/mill will not operate	Liquidiser/mini chopper/mill not locked on correctly. Liquidiser/mini chopper/mill not assembled correctly. Wrong base used.	The liquidiser/mini chopper/mill will not operate if fitted incorrectly to the interlock. Check blade unit is fully tightened into the goblet. The mill base is not interchangeable with the liquidiser goblet. The processor will not operate if the wrong base is fitted. Check graphic is correct on base used.
Processor stops during processing	Processor overloaded/maximum capacities exceeded. Lid unlocked.	Check maximum capacities stated in the recommended speed chart. Check lid is locked correctly.
Liquidiser/mill leaking from blade assembly base.	Seal missing Seal incorrectly fitted Seal damaged.	Check seal is fitted correctly and not damaged. To obtain a replacement seal see "service & customer care"
Poor performance of tools/attachments.	Refer to hints in relevant "using the attachment" section. Check attachments are assembled correctly.	

Français

Veuillez déplier les illustrations de la première page

avant d'utiliser votre appareil Kenwood

- Lisez et conservez soigneusement ces instructions pour pouvoir vous y référer ultérieurement.
- Retirez tous les éléments d'emballage et les étiquettes.

sécurité

- Les lames et les disques sont très tranchants, manipulez-les avec précaution. **Tenez-les toujours par la partie supérieure prévue à cet effet (a), à distance du bord tranchant, à la fois lors de l'utilisation et du nettoyage.**
- Veillez à ne pas soulever ou transporter le robot par la poignée – celle-ci pourrait se briser et provoquer des blessures.
- Veillez toujours à retirer la lame avant de verser le contenu du bol.
- Conservez les mains et tout ustensile hors du bol du robot et du gobelet du mixeur lorsque l'appareil est branché sur l'alimentation électrique.
- Éteignez et débranchez l'appareil :-
 - avant d'adapter ou de retirer des éléments;
 - lorsqu'il n'est pas utilisé ;
 - avant le nettoyage.
- N'utilisez jamais vos doigts pour pousser la nourriture dans le tube d'alimentation. Utilisez toujours le poussoir fourni.
- **N'installez jamais l'unité porte-lames sur votre appareil sans avoir installé le mixeur ou le bol du moulin.**
- Avant de retirer le couvercle du bol, du mixeur ou du mini éminceur / moulin du bloc d'alimentation :
 - éteignez l'appareil ;
 - assurez-vous que les accessoires/lames sont complètement arrêtés.
 - veillez à ne pas dévisser le bol du mixeur ou le mini éminceur / moulin du bloc des lames.
- Laissez les liquides refroidir à température ambiante avant de les placer dans le mixeur.
- Ne vous servez pas du couvercle pour arrêter ou allumer le robot ; utilisez toujours le sélecteur de vitesse Marche / Arrêt.
- **Cette machine sera endommagée et pourra provoquer des blessures si le mécanisme de verrouillage est soumis à une force excessive.**
- **Débranchez toujours votre robot alimentaire lorsque vous ne l'utilisez pas.**
- N'utilisez jamais un accessoire non autorisé.
- Ne laissez jamais l'appareil sans surveillance lorsqu'il fonctionne.
- N'utilisez jamais un appareil endommagé. Faites-le vérifier ou réparer : voir « service après-vente ».
- Ne mouillez jamais le bloc d'alimentation, le cordon d'alimentation ou la prise.
- Ne laissez pas le cordon d'alimentation dépasser du bord d'une table, du plan de travail ou être en contact avec des surfaces chaudes.
- Ne dépassez pas les capacités maximales indiquées dans le tableau des vitesses recommandées.

- Cet appareil n'est pas destiné à être utilisé par des personnes (y compris des enfants) dont les capacités physiques, sensorielles ou mentales sont diminuées, ou qui ne disposent pas des connaissances ou de l'expérience nécessaires, à moins qu'elles n'aient été formées et encadrées pour l'utilisation de cet appareil par une personne responsable de leur sécurité.
- Les enfants doivent être surveillés afin qu'ils ne puissent pas jouer avec cet appareil.
- N'employez l'appareil qu'à la fin domestique prévue. Kenwood décline toute responsabilité dans les cas où l'appareil est utilisé incorrectement ou que les présentes instructions ne sont pas respectées.
- Une mauvaise utilisation de votre robot peut provoquer des blessures.
- Le chiffre maximum est basé sur l'accessoire qui utilise la plus grande charge d'énergie. D'autres accessoires peuvent demander moins d'énergie.

Référez-vous à la section pertinente du chapitre « utilisation des accessoires » pour consulter d'autres avertissements relatifs à la sécurité de chaque accessoire.

avant de brancher

- Assurez-vous que votre alimentation électrique correspond à celle qui est indiquée sur la partie inférieure de votre appareil.
- Cet appareil est conforme à la directive 2004/108/CE de la CE sur la compatibilité électromagnétique, et au règlement 1935/2004 de la CE du 27/10/2004 sur les matériaux destinés au contact alimentaire.

avant la première utilisation

- 1 Retirez le cache lame de la lame couteau. **Attention, les lames sont très tranchantes.** Ce cache doit être jeté, il est uniquement destiné à protéger la lame durant le processus de fabrication et de transport.
- 2 Nettoyez les éléments, voir « entretien et nettoyage ».

robot

principal

- ① bloc moteur
- ② axe d'entraînement amovible
- ③ bol
- ④ couvercle
- ⑤ tube d'alimentation
- ⑥ poussoirs
- ⑦ dispositifs de verrouillage de sécurité
- ⑧ range-cordon (à l'arrière)
- ⑨ sélecteur de vitesse / touche pulse
- ⑩ témoin de fonctionnement

mixeur

- ⑪ bouchon
- ⑫ couvercle
- ⑬ joint du couvercle
- ⑭ gobelet
- ⑮ joint d'étanchéité
- ⑯ unité porte-lames

mini éminceur / moulin

- ⑰ unité porte-lames
- ⑱ joint d'étanchéité
- ⑲ bol
- ⑳ couvercle saupoudreur

accessoires supplémentaires

- ㉑ lame couteau
- ㉒ pétrin
- ㉓ fouet métallique avec double batteur
- ㉔ couvercle maxi-mix
- ㉕ disque éminceur / râpe épaisse
- ㉖ disque éminceur / râpe fine
- ㉗ disque à découper en fines lamelles (style Julienne)
- ㉘ disque à râper / parmesan
- ㉙ presse-agrumes
- ㉚ mini-bol
- ㉛ centrifugeuse
- ㉜ carrousel de rangement des accessoires KENSTORE™
- ㉝ spatule

sélection de la vitesse selon la fonction requise

Outil/accessoire	Fonction	Vitesse	Capacité maximale
Lame tranchante	Mélange pour préparations de gâteaux	1 – 8	1,5 kg
	Pâte – mélange de la matière grasse avec la farine	5 – 8	340 g
	Ajout de l'eau à la pâte	1 – 5	
	Emincer/mixer/pâtes	8	600 g viande
Lame tranchante avec couvercle mixeur	Soupes – démarrer à vitesse faible puis augmenter progressivement jusqu'à la vitesse maximale	1 – 8	1,5 litres
Batteur	Blancs d'oeufs	8	6 blancs d'oeufs
	Oeuf et sucre pour gâteaux de Savoie sans matière grasse	8	
	Crème	5 – 8	500 ml
Pétrin	Mélange à base de levure	8	600 g
disques - éminceur / râpe / lamelles	Aliments durs – carottes, fromages à pâtes dures	5 – 8	
	Aliments plus mous – concombres, tomates	1 – 5	
Disque grattoir	Parmesan, pommes de terre pour les boulettes de pomme de terre	8	
Presse-agrumes	Agrumes	1	
Mini-bol	Toutes les fonctions	8	200 g
Mixeur	Toutes les fonctions	8	1,5 litres
Mini éminceur / Moulin	Herbes aromatiques	8	10g
	Noix, grains de café	8	50g
Centrifugeuse	Fruits et légumes	8	500 g

utilisation du robot

- 1 Installez l'axe amovible sur le bloc d'alimentation ①.
- 2 **Ensuite**, installez le bol. Placez la poignée vers l'arrière et tournez dans le sens des aiguilles d'une montre jusqu'à ce qu'elle se verrouille ②.
- 3 Ajoutez un accessoire sur le manche du robot.
 - Installez toujours le bol et l'accessoire sur le robot avant d'ajouter des ingrédients.
- 4 Installez le couvercle ③ – en veillant à ce que la partie supérieure de l'axe se trouve au centre du couvercle.
 - **N'utilisez pas le couvercle pour faire fonctionner le robot, utilisez toujours la commande de vitesse marche / arrêt.**
- 5 Branchez l'appareil, le témoin de fonctionnement s'allume. Allumez l'appareil et sélectionnez une vitesse. (Référez-vous au tableau des vitesses recommandées).
 - **Le robot ne fonctionnera pas si le bol ou le couvercle ne sont pas verrouillés correctement. Vérifiez que le tube d'alimentation et que la poignée du bol sont bien situés à droite.**
 - Utilisez la touche pulse (P) pour de petites impulsions. La fonction pulse fonctionne tant que la touche est maintenue en position.
- 6 Procédez de façon inverse pour retirer le couvercle, les accessoires et le bol.
 - **Éteignez toujours l'appareil et débranchez-le avant de retirer le couvercle. important**
 - Votre robot n'est pas conçu pour concasser ou mouliner des grains de café ou transformer du sucre cristallisé en sucre en poudre.
 - Si vous ajoutez de l'essence d'amandes ou un parfum aux préparations, évitez le contact avec le plastique car il risquerait d'être définitivement taché.

utilisation du mixeur

- 1 Installez l'anneau d'étanchéité ⑮ dans l'unité porte-lames ⑯ – en veillant à ce que le joint soit correctement positionné.
 - **Des fuites se produiront si le joint est endommagé ou s'il n'est pas correctement installé.**
 - 2 Vissez le bol sur l'ensemble porte-lames.
 - 3 Mettez vos ingrédients dans le gobelet.
 - 4 Fixez le joint du couvercle dans la partie inférieure du couvercle.
 - 5 Fixez et fermez le bouchon de remplissage dans le couvercle, en tournant d'une position ①.
 - 6 Mettez le couvercle sur le pichet et tournez le bouchon de remplissage sur ① pour le verrouiller. Le bouchon de remplissage peut se trouver sur 3 positions différentes (voir A)
 - ▲ – bouchon de remplissage amovible pour l'ajout d'ingrédients dans le gobelet.
 - ① – couvercle déverrouillé/bouchon verrouillé sur le couvercle pour installer et enlever le couvercle.
 - ② – couvercle verrouillé.
 - 7 Placez le mixeur sur le bloc d'alimentation et tournez pour verrouiller ④.
 - **L'appareil ne fonctionnera pas si le mixeur n'est pas correctement verrouillé.**
 - 8 Sélectionnez une vitesse (référez-vous au tableau des vitesses recommandées) ou utilisez la fonction pulse.
 - **Laissez tous les liquides refroidir à température ambiante avant de les passer au mixeur. conseils**
 - Lorsque vous préparez de la mayonnaise, placez tous les ingrédients à l'exception de l'huile dans le mixeur. Puis, alors que l'appareil fonctionne, versez l'huile dans le bouchon de remplissage et laissez-la s'écouler.
 - Les mélanges épais, comme les pâtes et les sauces, peuvent nécessiter de racler les parois de l'appareil. En cas de difficulté à mixer, ajoutez davantage de liquide.
 - Pour piler de la glace, utilisez le bouton de fonctionnement à impulsion.
 - Pour protéger votre appareil dans la durée, procédez par séquences de 60 secondes maximum. Arrêtez l'appareil dès que vous obtenez la consistance requise.
 - L'utilisation de l'appareil pour mixer des épices n'est pas recommandée. En effet, celles-ci pourraient endommager les pièces en plastique.
 - L'appareil ne fonctionne pas si le mixeur n'est pas correctement installé.
 - Pour mélanger des ingrédients secs – coupez-les en morceaux, retirez le bouchon de remplissage, puis, l'appareil étant en marche, laissez-les tomber un par un. Laissez une main au-dessus de l'ouverture. Pour de meilleurs résultats, videz régulièrement.
 - N'utilisez pas le mixeur à des fins de stockage. Il doit rester vide avant et après utilisation.
 - Ne mélangez pas plus de 1,5 litres - moins encore pour les liquides mousseux comme les milkshakes.
- Note : La base du mini éminceur / moulin n'est pas interchangeable avec le bol en verre du mixeur. Le processeur ne peut fonctionner que s'il est équipé de la base qui lui correspond. Reportez-vous aux schémas relatifs aux bases des unités.**

pour utiliser votre mini éminceur / moulin

Utilisez le mini éminceur / moulin pour hacher des herbes, réduire en poudre des noix ou moudre des grains de café.

- 1 Mettez vos ingrédients dans le bocal.
 - 2 Adaptez la bague d'étanchéité dans l'unité porte-lames ⑰.
 - 3 Retournez l'unité porte-lames. Abaissez-la dans le bocal, lames vers le bas.
 - 4 Vissez l'unité porte-lames sur le bocal jusqu'à ce qu'elle soit correctement vissée et fixée.
 - 5 Placez le mini éminceur / moulin sur le bloc d'alimentation et tournez-le sur position Lock ⑤.
 - 6 Mettez en marche à vitesse maximum ou utilisez la commande par impulsion.
 - 7 Après avoir moulu les ingrédients, vous pouvez remplacer l'unité porte-lames par le couvercle permettant de les saupoudrer.
- Le couvercle saupoudreur n'est pas hermétique.

sécurité

- N'installez jamais l'unité porte-lames sur votre appareil sans avoir installé le bol.
- Ne dévissez jamais le bol tant que le mini éminceur / moulin est fixé à l'appareil.
- Ne touchez pas les lames tranchantes. Conservez l'unité porte-lames hors de portée des enfants.
- Ne retirez jamais le mini éminceur / moulin tant que les lames ne sont pas complètement à l'arrêt.
- Pour prolonger la durée de vie de votre mini éminceur / moulin, ne l'actionnez jamais continuellement pendant plus de 30 secondes. Eteignez-le dès que vous avez obtenu la consistance souhaitée.
- Il est déconseillé de moudre des épices car elles risqueraient d'endommager les parties en plastique.
- L'appareil ne fonctionnera pas si le mini éminceur / moulin n'est pas correctement installé.
- Ne l'utilisez que pour moudre des ingrédients secs.

conseils

Les aromates se broient plus facilement s'ils sont lavés et secs.

- **Note : La base du mini éminceur / moulin n'est pas interchangeable avec le bol en verre du mixeur. Le processeur ne peut fonctionner que s'il est équipé de la base qui lui correspond. Reportez-vous aux schémas relatifs aux bases des unités.**

utilisation des accessoires

Référez-vous au tableau des vitesses pour chaque accessoire.

⑲ lame couteau

La lame couteau est l'accessoire le plus polyvalent de tous. La texture que vous obtenez est déterminée par la durée de mixage.

Pour les textures plus granuleuses, utilisez le mode de fonctionnement par impulsion (pulse).

Utilisez la lame couteau pour la préparation de gâteaux et de pâtes à tarte, pour hacher la viande fraîche et cuite, les légumes, les noisettes, les pâtes, les pâtes à tartiner salées, pour mixer les potages et aussi réduire les biscuits et le pain en miettes.

conseils

- Coupez les aliments, tels que la viande, le pain et les légumes en cubes de 2 cm avant la préparation.
- Les biscuits doivent être coupés en morceaux et introduits dans le tube d'alimentation pendant que le moteur est en marche.
- Pour la préparation de pâtes à tarte, utilisez la matière grasse sortie directement du réfrigérateur et coupez-la en cubes de 2 cm.
- Prenez garde à ne pas mélanger trop longtemps.

⑳ pétrin

Utilisez pour les mélanges de pâtes à levain.

- Disposez les ingrédients secs dans le bol et versez le liquide dans le tube d'alimentation pendant que le moteur est en marche. Mélangez jusqu'à ce que le tout forme une boule de pâte, et soit lisse d'apparence et élastique au touché (cela prend 60 secondes).
- Pétrissez la pâte à la main uniquement. Il est déconseillé de pétrir dans le bol car cela peut entraîner une certaine instabilité du robot..

㉑ fouet métallique avec double batteur

Utilisez cet accessoire pour les mélanges légers uniquement, tels que les blancs d'œufs, la crème, le lait condensé non sucré, et pour le mélange d'œufs et de sucre pour les gâteaux mousseline légers. Les préparations plus lourdes, avec matière grasse et farine, risquent d'endommager l'accessoire.

utilisation du fouet

- 1 Installez l'axe d'entraînement et le bol sur le bloc moteur.
- 2 Introduisez fermement chaque batteur dans la tête du fouet ⑳.
- 3 Mettez le fouet en place en le faisant délicatement tourner jusqu'à ce qu'il s'enclenche sur l'axe d'entraînement.
- 4 Ajoutez les ingrédients.
- 5 Mettez le couvercle - assurez-vous que l'extrémité de l'axe d'entraînement est correctement positionnée au centre du couvercle.
- 6 Allumez l'appareil.

important

- **Le fouet ne convient pas pour les préparations de gâteau tout prêt ou pour monter en crème une matière grasse avec du sucre car ces mélanges endommageraient l'accessoire. Utilisez toujours la lame couteau pour confectionner des gâteaux.**

conseils

- Pour de meilleurs résultats, utilisez des œufs à température ambiante.
- Assurez-vous que le bol et les fouets sont propres et exempts de graisse avant de battre la préparation.
- Insérez toujours délicatement la farine et le sucre manuellement, en utilisant une cuillère en métal pour la préparation des génoises ou des meringues.

②4 récipient mixeur maxi-blend

Pour mélanger les liquides, utilisez le récipient mixeur maxi-blend avec la lame couteau. Il vous permet d'accroître la capacité de traitement des liquides de 1 litre à 1,5 litre, d'empêcher les écoulements et d'améliorer les performances de hachage de la lame.

- 1 Fixez l'axe d'entraînement et le bol sur le bloc moteur.
- 2 Fixez la lame couteau.
- 3 Ajoutez les ingrédients à mélanger.
- 4 Installez le récipient au-dessus de la lame en vous assurant qu'il repose sur le bord à l'intérieur du bol (Ⓢ). **Ne poussez pas le récipient, tenez-le par la poignée au centre.**
- 5 Adaptez le couvercle et allumez l'appareil.

disques râpe / éminceur

Disques râpe / éminceur réversibles - épais (25), fin (26)

Utilisez le disque râpe pour les fromages, carottes, pommes de terre et aliments de texture similaire..

Utilisez le disque éminceur pour les fromages, carottes, pommes de terre, choux, concombres, courgettes, betterave et oignons.

Disque éminceur fin (de style Julienne) (27)

À utiliser pour découper en lamelles : des pommes de terre pour faire des frites de style Julienne ; des ingrédients fermes pour préparer des salades, des garnitures, des casseroles et des sautés de légumes (par exemple carottes, de rutabaga, courgettes, concombre).

Disque râpe (28)

Ce disque râpe le Parmesan et les pommes de terre pour la préparation de boulettes.

sécurité

- **Ne retirez jamais le couvercle tant que les disques de coupe ne sont pas complètement arrêtés.**
- **Manipulez les disques de coupe avec précaution - ils sont extrêmement tranchants.**

pour utiliser les disques de coupe.

- 1 Installez l'axe d'entraînement et le bol sur le bloc moteur.
- 2 Tout en le maintenant par sa poignée centrale (Ⓢ), placez le disque sur l'axe d'entraînement, face appropriée vers le haut (Ⓢ).
- 3 Fixez le couvercle.
- 4 Choisissez le tube d'alimentation que vous souhaitez utiliser. Le poussoir comprend un tube d'alimentation plus petit pour les ingrédients individuels ou plus fins. Pour utiliser le petit tube d'alimentation – introduisez tout d'abord le grand poussoir dans le tube d'alimentation. Pour utiliser le grand tube – utilisez les deux poussoirs ensemble.
- 5 Introduisez les aliments dans le tube.
- 6 Allumez l'appareil et exercez à l'aide du poussoir une pression régulière - **n'insérez jamais vos doigts dans le tube d'alimentation.**

conseil

- Utilisez des ingrédients frais.
- Ne coupez pas les ingrédients en trop petits morceaux. Remplissez presque totalement la largeur du tube de remplissage. Cela empêche les ingrédients de glisser sur les côtés pendant le fonctionnement de l'appareil. Utilisez autrement le petit tube d'alimentation.
- Lorsque vous utilisez le disque éminceur, insérez horizontalement les ingrédients.
- Lorsque vous émincez ou vous râpez : Les aliments placés à la verticale (1) sont émincés ou râpés plus menus que ceux placés à l'horizontale (2).
- Il reste toujours une petite quantité d'aliments sur le disque ou dans le bol après l'utilisation de l'appareil.

②9 presse-agrumes

Utilisez le presse-agrumes pour extraire le jus des agrumes (par exemple les oranges, les citrons, les citrons verts et les pamplemousses).

- ① cône
- ② passoire

pour utiliser le presse-agrumes

- 1 Installez l'axe d'entraînement et le bol sur le bloc moteur.
 - 2 Fixez la passoire dans le bol - assurez-vous de verrouiller la poignée de la passoire directement sur celle du bol (Ⓢ) .
 - 3 Fixez le cône sur l'axe d'entraînement manche jusqu'à ce qu'il descende à fond (1) .
 - 4 Coupez le fruit en deux. Mettez l'appareil en marche et pressez le fruit sur le cône.
- **Si la passoire n'est pas correctement verrouillée, le presse-agrumes ne fonctionnera pas.**
 - Pour de meilleurs résultats, conservez vos fruits à température ambiante et faites les rouler sous la paume de votre main sur un plan de travail avant de les presser.
 - Pour optimiser l'extraction de jus, bougez le fruit d'un côté et de l'autre lorsque vous le pressez.
 - Lorsque vous réalisez de grandes quantités de jus, videz régulièrement la passoire pour éviter l'amas de pulpe et de grains.

30 mixeur mini-bol

Utilisez le petit mixeur pour broyer les aromates et pour mixer les petites quantités d'ingrédients, par exemple viande, oignon, noix, mayonnaise, légumes, purées, sauces et aliments pour bébés.

- ① lame couteau du petit mixeur
- ② mini-bol

pour utiliser le mixeur mini-bol

- 1 Fixez l'axe d'entraînement et le bol sur le bloc moteur.
- 2 Fixez le mixeur mini-bol en vous assurant que les rainures situées sur l'intérieur du conduit du mini-bol sont alignées avec les fentes du conduit principal ①.
- 3 Placez la lame tranchante sur l'arbre de transmission ②.
- 4 Ajoutez les ingrédients à mixer.
- 5 Placez le couvercle et mettez en marche.

sécurité

- N'enlevez jamais le couvercle tant que la lame n'est pas totalement à l'arrêt.
- La lame est très tranchante, elle doit toujours être manipulée avec précaution.

important

- N'insérez pas d'épices car elles risqueraient d'endommager le plastique.
- N'insérez pas d'aliments durs comme les grains de café, des glaçons ou du chocolat, car ils risqueraient d'endommager la lame.

conseils

- Les aromates se broient plus facilement s'ils sont lavés et secs.
- Ajoutez toujours un peu de liquide pour mélanger les ingrédients cuits des aliments pour bébés.
- Coupez les aliments comme le pain, la viande, les légumes, en cubes de 1 à 2 cm avant de les introduire dans le robot.
- Lorsque vous faites une mayonnaise, ajoutez l'huile à l'intérieur et le long du tube d'alimentation.

31 centrifugeuse en métal

Utilisez la centrifugeuse pour faire des jus à partir de fruits et de légumes fermes.

- ① poussoir
- ② couvercle centrifuge
- ③ dépulpeur
- ④ tambour filtrant
- ⑤ axe d'entraînement du presse-fruits

pour utiliser la centrifugeuse

- 1 Installez l'axe d'entraînement du presse-fruits et le bol sur le bloc moteur.
- 2 Insérez le dépulpeur ③ dans le tambour filtrant ④ en veillant alors à ce que les languettes s'engagent dans les encoches présentes dans le fond du tambour ①.
- 3 Adapter le tambour filtrant ④.
- 4 Placez le couvercle ② de l'accessoire sur le bol et tournez jusqu'à ce qu'il soit verrouillé ⑤. **Votre centrifugeuse ne fonctionnera pas si le bol ou le couvercle n'est pas correctement installé et verrouillé ⑤.**

- 5 Placez un verre ou un pichet sous le robinet d'écoulement du jus.
- 6 Coupez les ingrédients en petits bouts pour les mettre dans le tube d'alimentation
- 7 Mettez en marche et enfoncez les ingrédients sans à-coups à l'aide du poussoir ; **n'introduisez jamais les doigts dans le tube d'alimentation.** Extrayez tout le jus avant d'ajouter davantage de morceaux.
- Après l'ajout du dernier morceau, laissez le presse-fruits fonctionner encore 30 secondes pour extraire tout le jus du tambour filtrant.

sécurité

● N'utilisez pas votre centrifugeuse si le filtre est endommagé.

- Dans la mesure où les lames de coupe aménagées à la base du tambour filtrant sont très aiguisées, il convient de redoubler de précaution lorsque vous manipulez et nettoyez le tambour.
- Utilisez uniquement le poussoir fourni avec l'appareil. N'introduisez jamais vos doigts dans le tube d'alimentation. Débranchez avant de retirer tout élément obstruant le tube d'alimentation.
- Avant de retirer le couvercle, éteignez l'appareil et attendez l'immobilisation du filtre.

important

- Si l'extracteur de jus se met à vibrer, éteignez-le et videz la pulpe contenue dans le tambour. (Il peut trépidier si la pulpe est inégalement répartie).
- La capacité maximum pouvant être extraite en une fois est 500 g de fruits ou légumes.
- Certains aliments très durs risquent de ralentir ou d'arrêter la marche de votre extracteur de jus. Si cela se produit, éteignez l'appareil et débloquez le filtre.
- Éteignez l'appareil et videz le collecteur de pulpe régulièrement durant l'emploi.

conseils

- Avant de centrifuger, retirez les noyaux et les pépins (par exemple poivron, melon, prune), ainsi que les peaux dures (par exemple melon, ananas). Il est inutile de peler ou d'évider les pommes et les poires.
- Utilisez des fruits et légumes frais et fermes.
- Agrumes - pelez et retirez la peau blanche pour éviter que le jus n'ait un goût amer. Pour de meilleurs résultats, utilisez le presse-agrumes.

③② carrousel de rangement des accessoires KENSTORE™

Votre robot alimentaire est fourni avec un carrousel de rangement des accessoires qui se positionne à l'intérieur du bol.

pour utiliser le carrousel de rangement

- 1 Placez la lame couteau dans le bol.
- 2 Placez ensuite le fouet, les disques et le récipient à l'intérieur du carrousel ②.
- 3 Mettez le carrousel par dessus la lame couteau et placez le couvercle du mixeur au-dessus ③.

nettoyage et entretien

- Arrêtez et débrancher l'appareil avant de le nettoyer.
- **Manipulez les lames et les disques de coupe avec précaution - ils sont extrêmement tranchants.**
- Certains aliments décolorent le plastique. Ce phénomène est parfaitement normal. Cela n'endommage pas le plastique et n'altère pas le goût des aliments. Frottez-le à l'aide d'un chiffon imbibé d'huile végétale pour faire disparaître la décoloration.

bloc-moteur

- Nettoyez avec un chiffon humide, puis séchez. Assurez-vous que la zone de verrouillage est exempte de résidus alimentaires.
- Rangez l'excédent de cordon dans la zone de stockage située à l'arrière du bloc d'alimentation ④.

mixeur ou mini éminceur / moulin

- 1 Videz le gobelet / bol avant de le dévissez de l'unité porte-lames.
- 2 Lavez le gobelet / bol à la main.
- 3 Retirez les joints et lavez-les.
- 4 Ne touchez pas les lames tranchantes : brossez-les avec de l'eau chaude savonneuse pour les nettoyer, puis rincez-les soigneusement sous l'eau du robinet. **N'immergez pas l'unité porte-lames dans l'eau.**
- 5 Laissez sécher à l'envers.

fouet métallique avec double batteur

- Détachez les batteurs de la tête du fouet en tirant dessus délicatement. à l'eau savonneuse l'eau savonneuse tiède.
- Nettoyez la tête du fouet à l'aide d'un chiffon humide, puis séchez. **N'immergez pas la tête du fouet dans l'eau.**

tambour filtrant de la centrifugeuse

- Soulevez le collecteur de pulpe et tapotez délicatement dessus pour faire sortir la pulpe.
- Nettoyez à l'aide d'une brosse souple.
- **Vérifiez régulièrement le filtre, à la recherche de traces d'endommagement. N'utilisez pas si le filtre est endommagé. Référez-vous à la section " nettoyage et service après-vente ".**

autres pièces

- Lavez à la main et séchez soigneusement.
- Ils peuvent aussi passer au lave-vaisselle, sur l'étagère du haut de votre lave vaisselle. Evitez de placer les éléments sur l'étagère du bas, juste au-dessus de l'élément chauffant. Un programme court à faible température (Maximum 50°C) est recommandé.

Article	Articles pouvant être lavés au lave-vaisselle
bol principal, couvercle, pousoir	✓
lame, pétrin	✓
fouets batteurs N'immergez pas la tête du fouet dans l'eau.	✓
axe d'entraînement amovible	✓
disques	✓
presse-agrumes	✓
centrifugeuse	✓
mini bol et couteau	✓
gobelet en mixeur, couvercle, bouchon d'approvisionnement	✓
bocal en moulin	✓
unité porte-lames et rondelle d'étanchéité pour le mixeur et le mini éminceur / moulin	x
spatule	✓
carrousel de rangement	✓

service après-vente

- Si le cordon est endommagé, il doit être remplacé, pour des raisons de sécurité, par KENWOOD ou par un réparateur agréé KENWOOD.
- **En cas de dysfonctionnement du robot, consultez le guide de dépannage avant d'appeler le service après-vente.**
Si vous avez besoin d'aide concernant :
 - l'utilisation de votre appareil
 - l'entretien ou les réparations
 - Contactez le magasin où vous avez acheté votre appareil.
- Conçu et développé par Kenwood au Royaume-Uni.
- Fabriqué en Chine.



**AVERTISSEMENTS POUR L'ÉLIMINATION CORRECTE
DU PRODUIT CONFORMÉMENT AUX TERMES DE LA
DIRECTIVE EUROPÉENNE 2002/96/CE.**

Au terme de son utilisation, le produit ne doit pas être éliminé avec les déchets urbains.

Le produit doit être remis à l'un des centres de collecte sélective prévus par l'administration communale ou auprès des revendeurs assurant ce service.

Éliminer séparément un appareil électroménager permet d'éviter les retombées négatives pour l'environnement et la santé dérivant d'une élimination incorrecte, et permet de récupérer les matériaux qui le composent dans le but d'une économie importante en termes d'énergie et de ressources. Pour rappeler l'obligation d'éliminer séparément les appareils électroménagers, le produit porte le symbole d'un caisson à ordures barré.

Guide de dépannage

Problème	Cause	Solution
Le robot ne fonctionne pas.	<p>Le voyant de mise en marche / d'alimentation ne s'allume pas.</p> <p>Le bol n'est pas installé correctement sur le bloc d'alimentation.</p> <p>Le couvercle du bol n'est pas correctement verrouillé.</p>	<p>Vérifiez que le robot est branché.</p> <p>Vérifiez si le bol est correctement positionné et si la poignée est orientée vers la droite.</p> <p>Vérifiez si le dispositif de verrouillage du couvercle est correctement positionné dans la zone de la poignée.</p> <p>Le robot ne fonctionne pas si le bol et le couvercle ne sont pas installés correctement.</p> <p>Si aucun des cas ci-dessus ne s'applique, vérifiez le fusible/disjoncteur de votre habitation.</p>
Le mixeur / mini éminceur / moulin ne fonctionne pas	<p>Le mixeur / mini éminceur / moulin n'est pas verrouillé correctement.</p> <p>Le mixeur / mini éminceur / moulin n'est pas assemblé correctement.</p> <p>Le mauvais socle est utilisé.</p>	<p>Le mixeur / mini éminceur / moulin ne fonctionnera pas s'il n'est pas correctement verrouillé.</p> <p>Vérifiez que le porte-lames est complètement serré à l'intérieur du gobelet.</p> <p>Le socle du moulin n'est pas interchangeable avec le pichet du mixeur. Le robot ne fonctionne pas si un socle inadapté est installé. À l'aide du graphique, vérifiez si vous utilisez le bon socle.</p>
Le robot s'arrête pendant le fonctionnement	<p>Le robot est surchargé/les capacités maximales ont été dépassées.</p> <p>Le couvercle est déverrouillé.</p>	<p>Vérifiez les capacités maximum indiquées dans le tableau des vitesses recommandées.</p> <p>Vérifiez si le couvercle est correctement verrouillé.</p>
Le mixeur / moulin fuit à la base du porte-lames.	<p>Absence de joint.</p> <p>Joint mal fixé.</p> <p>Joint endommagé.</p>	<p>Assurez-vous que le joint est correctement mis en place et non endommagé.</p> <p>Pour obtenir le remplacement d'un joint endommagé, consultez la section « service après-vente ».</p>
Mauvaise performance des outils/accessoires.	<p>Consultez les conseils dans la section « Utilisation des accessoires » appropriée.</p> <p>Assurez-vous que les accessoires sont correctement assemblés.</p>	

دليل استكشاف الأخطاء وإصلاحها

المشكلة	السبب	الحل
جهاز تحضير الطعام لا يعمل.	لا يوجد ضوء تشغيل/المؤشر غير مضاء. الوعاء غير مركب على وحدة الطاقة بشكل صحيح. غطاء وعاء تحضير الطعام غير مركب بشكل صحيح.	تحققي من السلك الكهربائي وأنه موصل بمنفذ التيار الكهربائي. تأكدي من تركيب وعاء التقطيع بشكل صحيح وأن المقبض متجه ناحية اليمين. تأكدي من تعشيق الغطاء العلوي بشكل صحيح في منطقة المقبض. لن يعمل جهاز تحضير الطعام في حالة تركيب وعاء التقطيع والغطاء العلوي بشكل غير صحيح. في حالة عدم حل المشكلة بالطول أعلاه، تحققي من المنصهر/قاطع الدائرة الكهربائية في المنزل.
المسيل/المفرمة الصغيرة/المطحنة لا تعمل	المسيل/المفرمة الصغيرة/المطحنة غير مركب/مركبة بشكل صحيح. المسيل/المفرمة الصغيرة/المطحنة غير مركب/مركبة بشكل صحيح. القاعدة المستخدمة غير صحيحة.	لن يعمل المسيل/المفرمة الصغيرة/المطحنة في حالة التركيب بشكل غير صحيح في موضع تعشيق القفل. تأكدي من ربط وحدة الشفرات بإحكام في الدورق/وعاء الطحن. لا يمكن استبدال قاعدة المطحنة بقاعدة الدورق الزجاجي للمسيل. لن يعمل جهاز تحضير الطعام في حالة تركيب قاعدة غير صحيحة. تأكدي من الرسم الصحيح أسفل القاعدة المستخدمة.
توقف جهاز تحضير الطعام أثناء التشغيل	تجاوز حد التحميل لجهاز تحضير الطعام/تجاوز السعات القصوى تم فتح الغطاء العلوي.	تحققي من السعات القصوى الموصى بها والمحددة في جدول السرعات. تأكدي من قفل الغطاء العلوي بشكل صحيح.
تسرب من قاعدة وحدة الشفرات في المسيل/المطحنة.	حلقة الإحكام غير مركبة حلقة الإحكام غير مركبة في موضعها جيداً حلقة الإحكام تالفة.	تحققي من تركيب حلقة الإحكام في موضعها الصحيح وبطريقة صحيحة وأنها غير تالفة. للحصول على حلقة إحكام لاستبدال الحلقة التالفة. راجعي قسم «الصيانة ورعاية العملاء»
لا تعمل الأدوات/الملحقات بشكل جيد	راجع التلميحات المتعلقة بكل أداة أو ملحوظ في قسم «استخدام الملحوظ».	تأكدي من تركيب الملحقات بشكل صحيح.

العناية والتنظيف

- تغسل باليد ثم تجفف.
- حيث أنه من الآمن غسل هذه المكونات في غسالة الأطباق فبطريقة أخرى يمكن غسلها على الرف العلوي في غسالة الأطباق. تجنب وضع العناصر على الرف السفلي مباشرة فوق عنصر التسخين. يوصى باستخدام برنامج قصير مع درجة حرارة منخفضة (٥٠ درجة مئوية كحد أقصى).

العناصر المناسبة للغسيل داخل غسالة الأطباق	العنصر
✓	السلطانية الرئيسية، الغطاء العلوي، عصا دفع المكونات
✓	سكين التقطيع، أداة العجين
✓	الخفاقة لا تغمر رأس المحرك في الماء.
✓	محور الدوران
✓	الأقراص
✓	عصارة موالح
✓	عصارة الطرد المركزي
✓	الوعاء الصغير والسكين
✓	الدورق الزجاجي للمسيل والغطاء العلوي وفتحة التعبئة
✓	وعاء الطحن
✗	وحدة الشفرات وحلقة الإحكام للمسيل والمفرمة الصغيرة/المطحنة
✓	مقشطة
✓	مخزن الملحقات

- أوقف دائماً تشغيل الجهاز وافصله عن مصدر التيار الكهربائي قبل التنظيف.
- توخي الحذر أثناء التعامل مع الشفرات وأسطح التقطيع هذه الأجزاء حادة جداً.
- قد تؤثر بعض الأغذية على لون البلاستيك. هذا امر طبيعي تماماً ولا يضر بالبلاستيك أو يؤثر على نكهة الطعام. امسح البلاستيك بقماس مغموس في زيت نباتي لإزالة تغيير اللون.

وحدة الطاقة

- تسمح بقطعة قماش رطبة، ثم تجفف. تأكد من خلو منطقة الترابط من بقايا الطعام.
- قومي بلف السلك الزائد في مكان تخزين السلك أسفل وحدة الطاقة ④.

المسيل والمفرمة الصغيرة/المطحنة

- ١ أفرغي محتويات الدورق/وعاء الطحن قبل الفك من وحدة الشفرات.
 - ٢ اغسلي الدورق/وعاء المطحنة يدوياً.
 - ٣ أزيل حلق الإحكام واغسلها.
 - ٤ لا تلمس الشفرات الحادة - قومي بتنظيف الشفرات بواسطة الفرشاة باستخدام ماء ساخن وصابون، ثم قومي بشطفها جيداً تحت الصنبور.
 - ٥ لا تقومي بغمر وحد الشفرات في الماء.
- اتركها تجف في وضع مقلوب.

مضرب البيض الثنائي المعدني

- افصلي ذراعي الخفق من رأس المحرك بشدهما برفق نحو الخارج.
- امسح رأس المحرك بقطعة قماش رطبة، ثم تجفيفها. لا تغمر رأس المحرك في الماء.

اسطوانة ترشيع عصارة الطرد المركزي

- ارفعي مزبل اللب إلى الخارج واطرفي برفق لتحرير اللب.
- نظفي الاسطوانة باستخدام فرشاة ناعمة.
- افحصي المرشح بشكل منتظم للتأكد من عدم وجود أي علامات تدل على تلفه. لا تستخدم المرشح في حالة تلفه. راجعي قسم "الصيانة ورعاية العملاء".

الخدمة ورعاية العملاء

- في حالة تلف السلك الكهربائي، يجب استبداله لأسباب متعلقة بالسلامة من قبل KENWOOD أو مركز صيانة معتمد من قبل KENWOOD.
- إذا واجهتم اية مشاكل في تشغيل الجهاز، فالرجاء مراجعة دليل تحري الخلل واصلاحه اذناه قبل طلب المساعدة.
- إذا أردت الحصول على مساعدة بشأن:
- استخدام الجهاز عمليات صيانة وإصلاحات
- اتصلي بالمتجر الذي اشتريته منه الجهاز.
- تصميم وتطوير Kenwood في المملكة المتحدة.
- صنع في الصين.



معلومات هامة حول كيفية التخلص الصحيحة من المنتج وفقاً

لتوجيه الاتحاد الأوروبي 2002/96/EC.

في نهاية العمر التشغيلي للجهاز، يجب عدم التخلص من الجهاز في نفايات المناطق الحضرية.

بل يجب أخذه إلى مركز تجميع خاص بجهة محلية متخصصة في التخلص من هذه النفايات أو إلى تاجر يقدم هذه الخدمة.

التخلص من الأجهزة المنزلية على نحو منفصل، يجنب الآثار السلبية المحتملة على البيئة والصحة والتي تنتج عن التخلص من هذه النفايات بطريقة غير مناسبة، كما أن هذه العملية تسمح باسترداد المواد المكونة الأمر الذي يتيح الحصول على وفورات كبيرة في مجال الطاقة والموارد. للتذكير بضرورة التخلص من الأجهزة المنزلية على نحو منفصل، يوجد على الجهاز صورة مشطوبة لسلة قمامة ذات عجلات.

30 وعاء تحضير الطعام الصغير

استخدمي وعاء تحضير الطعام الصغير لتقطيع الأعشاب وتحضير كميات صغيرة من الطعام ومثال على ذلك، اللحم والبصل والبندق والمايونيز والخضراوات والمعجنات والصلصات وغذاء الأطفال.

- 1 نصل سكين وعاء تحضير الطعام الصغير
- 2 وعاء تحضير الطعام الصغير

استخدام وعاء تحضير الطعام الصغير

- 1 ركبي محور الدوران وعاء التقطيع في وحدة الطاقة (الموتور).
- 2 ركبي وعاء تحضير الطعام الصغير - تأكدي من محاذاة الحواف الموجودة في وعاء تحضير الطعام الصغير مع التجاويف الموجودة في وعاء التقطيع الرئيسي ① .
- 3 ضعي سكين التقطيع على محور الدوران ④ .
- 4 ضعي المكونات المراد تحضيرها .
- 5 ركبي الغطاء العلوي وشغلي الجهاز .

لسلامتك

- يحذر إزالة الغطاء العلوي قبل توقف سكين التقطيع تماماً .
- سكين التقطيع حاد جداً - توخي الحذر دائماً عند التعامل معه .

هام

- لا تقومي بتحضير التوابل - فقد تؤذي البلاستيك .
- لا تقومي بتحضير الطعام الصلب مثل حبوب القهوة ومكعبات الثلج أو الشكولاته - فقد يتلف سكين التقطيع .

تلميحات

- يمكن الحصول على أفضل النتائج عند فرم الأعشاب النظيفة والجافة .
- أضيفي دائماً كمية قليلة من السائل عند خلط مكونات سابقة الطهي عند تحضير غذاء الأطفال .
- قطعي الطعام مثل اللحم أو الخبز أو الخضراوات إلى مكعبات بحجم تقريبي 1-2 سم قبل التحضير .
- عند تحضير المايونيز أضيفي الزيت من خلال أنبوب إدخال الطعام .

31 عصارة الطرد المركزي المعدنية

استخدمي عصارة الطرد المركزي لتحضير العصير من الفاكهة والخضراوات الصلبة.

- 1 عصا دفع المكونات
- 2 غطاء الطرد المركزي
- 3 مزيل اللب
- 4 اسطوانة الترشيع
- 5 محور دوران العصارة

استخدام عصارة الطرد المركزي

- 1 ركبي محور دوران العصارة وعاء التقطيع في وحدة الطاقة (الموتور).
- 2 ضعي مزيل اللب ③ بداخل اسطوانة الترشيع ④ - تأكدي من استقرار الأطراف في الفتحات الموجودة في أسفل الاسطوانة ① .
- 3 ركبي اسطوانة الترشيع ④ .
- 4 ضعي الغطاء العلوي ② على السلطانية ولفيه حتى يستقر في موضع القفل ⑦ . لن تعمل العصارة في حالة تركيب السلطانية أو الغطاء العلوي بطريقة غير صحيحة في موضع تعشيق القفل ⑧ .
- 5 ضعي كوباً أو وعاءً مناسباً تحت فتحة تدفق العصير .
- 6 قطعي المكونات حتى يمكن إدخالها عبر أنبوب إدخال المكونات .

- 7 شغلي الجهاز مع دفع الطعام بالتساوي بواسطة عصا دفع المكونات - احذري وضع أصابعك داخل فتحة إدخال المكونات. انتهي من تحضير الكمية الموضوعية بشكل تام قبل إضافة كمية أخرى.
- بعد إضافة آخر قطعة، اتركي العصارة تعمل لمدة 20 ثانية إضافية لاستخلاص كل العصير من اسطوانة الترشيع.

لسلامتك

- لا تستخدم العصارة في حالة تلف المرشح .
- شفرات التقطيع الموجودة في قاعدة اسطوانة الترشيع حادة جداً، توخي الحذر عند التعامل مع اسطوانة الترشيع وتنظيفها .
- استخدمي فقط عصا دفع المكونات المزودة داخل صندوق البيع. يحذر وضع أصابعك داخل أنبوب إدخال المكونات. افصلي الجهاز عن مصدر التيار الكهربائي قبل فك فتحة إدخال المكونات.
- قبل إزالة الغطاء العلوي، أوقفي تشغيل الجهاز وانتظري حتى يتوقف المرشح .

هام

- في حالة بدء العصارة في الاهتزاز، أوقفي تشغيل الجهاز وأفرغي اللب من اسطوانة الترشيع. (تهتز العصارة في حالة التوزيع غير المتساوي لللب).
- السعة القصوى للتحضير في المرة الواحدة هي 500 غرام من الفاكهة أو الخضراوات.
- بعض أنواع الأطعمة الصلبة قد تسبب ببطء أو توقف العصارة. إذا حدث ذلك، أوقفي التشغيل وأزيلي المرشح.
- أوقفي التشغيل وأفرغي مجمع اللب بشكل دوري أثناء الاستخدام.

تلميحات

- قبل التحضير أزيلي النوى والبذور من المكونات (مثل الفلفل والبطيخ والبرقوق) والقشرة الخارجية الصلبة (البطيخ والأناناس). لا تحتاجي إلى تقشير أو إزالة البذور من التفاح أو الكمثرى.
- استخدمي فاكهة وخضراوات صلبة وطازجة.
- في حالة الموالح - قشري الفواكه وأزيلي اللب وإلا سيصبح مذاق العصير مرراً. استخدم عصارة الموالح للحصول على أفضل النتائج.

32 مخزن الملحقات KENSTORE™

جهاز تحضير الطعام مزود بملحق للتخزين يوضع بداخل وعاء التقطيع.

لاستخدام مخزن الملحقات

- 1 ركبي سكين التقطيع في وعاء التقطيع.
- 2 ركبي مضرب البيض وأسطح التقطيع ووحدة الخلط الموسعة في مخزن الملحقات ⑤ .
- 3 ركبي مخزن الملحقات على سكين التقطيع وضعي الغطاء العلوي على القمة ⑥ .

②٤ وحدة الخلط الموسعة

- ١ عند خلط السوائل، استخدم وحدة الخلط الموسعة مع سكين التقطيع. تتيح لك الوحدة زيادة سعة التحضير من ١ لتر إلى ١,٥ لتر، كما أنها تمنع التسرب وتحسن أداء الفرغ لسكين التقطيع.
- ٢ ركبي وعاء التقطيع ومحور الدوران في وحدة الطاقة (الموتور).
- ٣ ركبي سكين التقطيع.
- ٤ ضعي المكونات المراد تحضيرها.
- ٥ ركبي وحدة الخلط الموسعة على قمة الشفرات وتأكدي من استقرارها على الحافة الموجودة داخل السلطانية ③. لا تغطي على وحدة الخلط الموسعة، امسكها بالمقبض المركزي.
- ٥ ركبي الغطاء العلوي وشغلي الجهاز.

أقراص التقطيع/التقطيع الطولي (البشر)

استخدام الأقراص.

أسطح التقطيع/التقطيع الطولي القابلة للعكس - تقطيع

سميك ②٥، تقطيع رفيع ②٦

استخدمي جانب التقطيع الطولي مع الجبن والجزر والبطاطس والأطعمة التي لها نفس ذلك القوام. استخدم جانب التقطيع مع الجبن والجزر والبطاطس والكرنب والخيار والكوسة والبنجر والبصل.

سطح تقطيع أصابع رفيعة ②٧

يستخدم لتقطيع: البطاطس بطريقة أصابع رفيعة والمكونات الصلبة للسلطات والزينة والخضار السوتيه (مثل الجزر واللفت والكوسة والخيار).

قرص البشر ②٨ (في حالة التزويد داخل صندوق البيع)

يستخدم في بشر جبن البارميزان والبطاطس لتحضير فطائر البطاطس الألمانية

سلامتكم

- يحذر إزالة الغطاء العلوي قبل توقف أسطح التقطيع تماماً.
- توخي الحذر أثناء التعامل مع سطح التقطيع - أسطح التقطيع حادة جداً

استخدام أسطح التقطيع

- ١ ركبي وعاء التقطيع ومحور الدوران في وحدة الطاقة (الموتور).
- ٢ امسكي سطح التقطيع ④ من المقبض المركزي ثم ضعي السطح على محور الدوران مع توجيه السطح الملائم لأعلى ⑤.
- ٣ ركبي الغطاء العلوي.
- ٤ اختاري حجم فتحة إدخال المكونات المراد استخدامها. تتضمن مجموعة عصا دفع المكونات أنبوب تغذية صغير لإدخال المكونات الرفيعة أو المكونات في صورة فردية على حدة. لاستخدام أنبوب إدخال الطعام الصغير - ركبي أولاً مقبض دفع الطعام الكبير داخل أنبوب إدخال الطعام. لاستخدام أنبوب إدخال الطعام الكبير - استخدم مقبض دفع الطعام معاً.
- ٥ أدخل الطعام من خلال أنبوب إدخال المكونات.
- ٦ شغلي الجهاز مع دفع الطعام بالتساوي بواسطة عصا دفع المكونات - احذري وضع أصابعك داخل فتحة إدخال المكونات.

تلميحات

- استخدم مكونات طازجة.
- لا تقطعي الطعام إلى قطع صغيرة جداً. اجعلي عرض (مقطع) أنبوب إدخال المكونات ممتلئ بشكل متساو. يحول ذلك دون انزلاق الطعام على الجوانب أثناء تحضير الطعام. بطريقة أخرى، يمكنك استخدام أنبوب إدخال الطعام الصغير.
- عند استخدام سطح تقطيع أصابع رفيعة، ضعي المكونات بشكل أفقي.
- عند التقطيع أو الفرغ: الطعام الموضوع بشكل رأسي ① يخرج قصيراً عن الطعام الموضوع بشكل أفقي ②.
- تبقى هناك دائماً كمية صغيرة من الفضلات على سطح التقطيع أو في السلطانية بعد تحضير الطعام.

②٩ العصارَة

استخدمي العصارَة لتحضير العصير من الموالح (مثل البرتقال والليمون والليمون الحمضي والجريب فروت).

① مخروط العصر

② المصفاة

استخدام العصارَة

- ١ ركبي محور الدوران ووعاء التقطيع في وحدة الطاقة (الموتور).
- ٢ ركبي المصفاة في السلطانية - تأكدي من استقرار مقبض المصفاة في مواضعه مباشرة على مقبض السلطانية ①.
- ٣ ركبي مخروط العصر على محور الدوران وأدبريه حتى يستقر تماماً في القاع ①.
- ٤ قطعي ثمار الفواكه إلى نصفين. ثم شغلي الجهاز واضغطي الفاكهة على مخروط العصر.
- لن تعمل العصارَة في حالة تركيب المصفاة بشكل غير صحيح.
- للحصول على أفضل النتائج، خزني الفاكهة واعصريها في درجة حرارة الغرفة، أيضاً ليني الفاكهة قبل عصرها عن طريق دحرجتها على سطح منضدة العمل مع الضغط عليها براحة كفك.
- للمساعدة في استخلاص العصير، حركي الفاكهة من جانب لآخر أثناء العصر.
- عند عصر كمية كبيرة من الفاكهة، أفرغي المصفاة بانتظام لتجنب تراكم لب وبيذور الفاكهة.

- لضمان العمر الطويل لجهاز التسييل - ابدأ لا تشغله لمدة تزيد عن ٦٠ ثانية.
- اوقف التشغيل حال الوصول الى القوام الصحيح.
- غير منصوح بطحن التوابل فقد تؤدي إلى إحداث أضرار بالأجزاء البلاستيكية.

- لن يعمل الجهاز في حالة تركيب المسيل بشكل غير صحيح.
- لخلط مكونات جافة - قطعها إلى أجزاء صغيرة ثم أزيلها غطاء فتحة التعبئة وأسقطها قطعة تلو الأخرى أثناء تشغيل الجهاز. أبق يدك فوق الفتحة.
- للحصول على أفضل النتائج أفرغ المحتويات بشكل منتظم.
- لا تستخدم المسيل كحاوية تخزين. حافظي على الدورق فارغاً قبل وبعد الاستخدام.
- لا تخلطي سعة أكبر من ١.٥ لتر - استخدم سعة أقل مع السوائل الرغوية مثل الحليب المخفوق.

ملاحظة: لا يمكن استبدال قاعدة المفرمة الصغيرة/المطحنة بقاعدة الدورق الزجاجي للمسيل. لن يعمل جهاز تحضير الطعام في حالة تركيب قاعدة غير صحيحة. راجعي الرسم التوضيحي الموجود على قاعدة وحدة الشفرات.

استخدام المفرمة الصغيرة/المطحنة

استخدمي المفرمة الصغيرة/المطحنة لطحن الأعشاب والمكسرات وحبوب القهوة.

- ١ ضعي المكونات في وعاء الطحن.
- ٢ ركبي حلقة الإحكام في وحدة الشفرات ⑦.
- ٣ اقلبي وحدة الشفرات. ضعيها داخل وعاء الطحن بحيث يكون اتجاه الشفرات لأسفل.
- ٤ اربطي وحدة الشفرات في وعاء الطحن بإحكام باستخدام أصابعك.
- ٥ ضعي المفرمة الصغيرة/المطحنة على وحدة الطاقة (الموتور) ولفيها حتى تستقر في موضع قفل التثبيت ⑤.
- ٦ شغل على السرعة القصوى أو استعمل زر التحكم بالتشغيل المتقطع.
- ٧ بعد الطحن، يمكنك استبدال وحدة الشفرة بغطاء الرش (الغطاء المثقب) ورش المواد على الطعام.
- غطاء الرش غير ممانع لدخول الهواء.

السلامة

- ابدأ لا تترك وحدة الشفرة على المكنة بدون ان يكون الوعاء مركباً.
- لا تفكي وعاء الطحن عن المفرمة الصغيرة/المطحنة أثناء تركيبها في الجهاز.
- لا تلمس الشفرات الحادة. ابق وحدة الشفرة بعيدة عن متناول الاطفال.
- يحذر إزالة المفرمة الصغيرة/المطحنة قبل توقف الشفرات عن الحركة تماماً.
- لضمان إطالة عمر المفرمة الصغيرة/المطحنة، لا تشغيلها لفترة أطول من ٣٠ ثانية. أوقفي تشغيل الجهاز بمجرد الحصول على القوام المطلوب.
- لا تعالج التوابل - فهي قد تضر بالبلاستيك.
- لن يعمل الجهاز ما لم يتم تركيب المفرمة الصغيرة/المطحنة بشكل صحيح.
- تستعمل للمواد الجافة فقط.

ملاحظات مفيدة

- تطحن الاعشاب على افضل وجه عندما تكون نظيفة وجافة.
- ملاحظة: لا يمكن استبدال قاعدة المفرمة الصغيرة/المطحنة بقاعدة الدورق الزجاجي للمسيل. لن يعمل جهاز تحضير الطعام في حالة تركيب قاعدة غير صحيحة. راجعي الرسم التوضيحي الموجود على قاعدة وحدة الشفرات.

استخدام الملحقات

راجعي جدول سرعات التشغيل الموصى بها لكل ملحوق.

②١ سكين التقطيع

يعتبر سكين التقطيع أكثر الملحقات من حيث تعددية الاستخدام. تحدد طول فترة التشغيل القوام الناتج. للحصول على قوام خشن، استخدمي وضع التشغيل النبضي. استخدمي سكين التقطيع لتحضير الكيك والمعجنات أو فرم اللحم الخام أو المطهي، استخدميه أيضاً لتحضير الخضراوات والمكسرات والبطاطس والمغموسات والحساء المهروس وأيضاً لتحضير كسر البسكويت والخبز.

تلميحات

- قطعي الطعام مثل اللحم أو الخبز أو الخضراوات إلى مكعبات بحجم تقريبي ٢ سم قبل التحضير.
- يجب تكسير البسكويت إلى قطع صغيرة وإضافته عن طريق غطاء أنبوب إدخال المكونات أثناء تشغيل الجهاز.
- عند تحضير المعجنات استخدمي الدهون مباشرة من المجمد مع تقطيعها في صورة مكعبات بحجم تقريبي ٢ سم.
- توخي الحذر حتى لا تتجاوزي الفترة المطلوبة لتحضير الطعام.

②٢ أداة العجين

تستخدم مع خلطات العجين المخمرة.

- ضعي المكونات الصلبة في السلطانية وأضيفي السائل عن طريق أنبوب إدخال المكونات أثناء تشغيل الجهاز. استمري في التشغيل حتى تكون كرات لدنة من العجين، تستغرق هذه العملية نحو ٦٠ ثانية.
- أعيدي العجن بيديك فقط. غير منصوح بإعادة العجن في السلطانية حيث قد يؤدي ذلك إلى عدم استقرار جهاز تحضير الطعام.

②٣ مضرب البيض الثنائي المعدني

يستخدم للخلطات الخفيفة فقط مثل بياض البيض أو القشدة أو الحليب المجفف وأيضاً لخفق البيض والسكر لتحضير الكيك الإسفنجي الخالي من الدسم. تتسبب الخلطات الكثيفة مثل الدهون والدقيق في تلف مضرب البيض الثنائي.

استخدام مضرب البيض

- ١ ركبي وعاء التقطيع ومحور الدوران في وحدة الطاقة (الموتور).
- ٢ ادفعي كل مضرب بإحكام داخل رأس الدوران ③.
- ٣ ركبي مضرب البيض من خلال لفة بحذر حتى يسقط على محور الدوران.
- ٤ أضيفي المكونات.
- ٥ ركبي الغطاء العلوي - مع التأكد من استقرار طرف محور الدوران في مركز الغطاء العلوي.
- ٦ شغلي الجهاز.

هام

- مضرب البيض غير ملائم لتحضير خلطات الكيك الكثيفة أو خفق الدهون حيث تتسبب هذه الخلطات في تلف مضرب البيض. استخدمي دائماً سكين التقطيع لتحضير الكيك.

تلميحات

- يمكنك الحصول على أفضل النتائج عندما تكون درجة حرارة البيض هي نفس درجة حرارة الغرفة.
- تأكدي من نظافة السلطانية ومضرب البيض وعدم وجود أي دهون قبل الخفق.
- أضيفي الدقيق والسكر بحذر يدوياً باستخدام ملعقة معدنية لتحضير حلويات وكيك إسفنجي خالي من الدهون.

الإداة/القطعة الملحقة	الوظيفة	السرعة	الساعات القصوى
شفرة السكين	خلطة الكيك مرحلة واحدة معجنات-فرك السمن بالدقيق إضافة الماء لدمج مواد المعجنات تقطيع/بوريه/باتيه	١-٨ ٥-٨ ١-٥ ٨	١.٥ كجم ٣٤٠ جم ٦٠٠ جم
شفرة السكين مع مظلة الخلط ماكسي	انواع الحساء- ابدأ بسرعة منخفضة ثم ارفعها الى السرعة القصوى	١-٨	١.٥ لتر
الخفق	بياض البيض بيض وسكر لحوى اسفنجية بدون سمن كريم	٨ ٨ ٥-٨	بياض ٦ بيضات ٥٠٠ مل
اداة العجن	خلطات ذات خميرة	٨	٦٠٠ جم
أقراص - التقطيع/التقطيع الطولي (البشر)/التكسير	مواد الطعام الصلبة مثل الجزر، الجبنة الصلبة. مواد الين مثل الخيار، الطماطم	٥-٨ ١-٥	
قرص المبشرة	جبين بارميسان، بطاطس لزلابية البطاطس الالمانية	٨	
عصارة موالح	فاكهة الحمضيات	٨	
وعاء ميني والسكين	جميع انواع المعالجة	١	٢٠٠ جم
جهاز التسييل	جميع انواع المعالجة	٨	١.٥ لتر
المفرمة الصغيرة/المطحنة	الأعشاب المكسرات، حبوب القهوة	٨ ٨	١٠ جم ٥٠ جم
عصارة تعمل بالطرد المركزي	الفاكهة والخضار	٨	٥٠٠ جم

لاستعمال المسيل

- ١ ركبى حلقة الإحكام ⑮ على وحدة الشفرات ⑯ - مع التأكد من استقرار حلقة الإحكام في موضعها بشكل صحيح. إذا كانت حلقة الإحكام تالفة أو غير محكمة بشكل صحيح فسوف يحدث تسريباً.
- ٢ اربطى الدورق على وحدة الشفرات.
- ٣ ضعى مكوناتك بداخل الدورق.
- ٤ ادفعى إحكام الغطاء العلوى إلى الجانب السفلى للغطاء العلوى.
- ٥ تركيب وتقلل سدادة المرشح في الغطاء، بالبرم الياالموضع ⑦.
- ٦ ركبى غطاء فتحة التعبئة وثبته في الغطاء العلوى، بالدوران إلى الموضع ⑦ يمكن توجيه غطاء فتحة التعبئة إلى ثلاثة مواضع (راجعى الصورة A):
 - ⑧ - إزالة غطاء فتحة التعبئة لإضافة مكونات إلى الدورق.
 - ⑨ - فك الغطاء العلوى/قفل غطاء فتحة التعبئة مع الغطاء العلوى لتركيب وإزالة الغطاء العلوى.
 - ⑩ - الغطاء مقل.
- ٧ ضعى المسيل على وحدة الطاقة ثم أديره لإحكام القفل ④.
- لن يعمل الجهاز في حالة تركيب المسيل بشكل غير صحيح مع تعشيق القفل.
- ٨ حددي السرعة المطلوبة (راجعى جدول السرعات الموصى بها) أو استخدمى تحكم التشغيل النبضى.
- يجب السماح بتبريد السوائل إلى درجة حرارة الغرفة قبل عملية المزج.

ملاحظات مفيدة

- عند تحضير المايونيز، ضعى كل المكونات في المسيل عدا الزيت. ثم أثناء التشغيل، رشي الزيت من خلال غطاء فتحة التعبئة مع استمرار تشغيل الجهاز.
- قد تحتاج الخلطات السميكة مثل المعجنات الهشة والمغموسات إلى تقطيع. إذا وجدت صعوبة في تحضيرها، أضيفى المزيد من السوائل.
- جرش الثلج - استخدمى وضع التشغيل النبضى حتى الحصول على قوام الجرش المطلوب.

لاستعمال جهاز معالجة الطعام

- ١ ركبى محور الحركة القابل للفصل في وحدة الطاقة ①.
- ٢ ثم ركبى وعاء التقطيع، ضعى المقبض في الاتجاه للخلف ثم أديره في اتجاه عقاب الساعة حتى يستقر في مكانه ②.
- ٣ ركبى الملحق على محور الحركة.
- ركبى دائماً وعاء التقطيع والملحق في جهاز تحضير الطعام قبل إضافة المكونات.
- ٤ ركبى الغطاء العلوى ③ - مع التأكد من محاذاة محور الحركة مع مركز الغطاء العلوى.
- لا تستخدمى الغطاء العلوى لتشغيل جهاز تحضير الطعام، استخدمى دائماً زر تحكم السرعة On/Off (تشغيل/إيقاف).
- ٥ وصلى الجهاز مع مصدر التيار الكهربى، يتم إضاءة ضوء التشغيل، شغلى الجهاز وحددي السرعة المطلوبة. (راجعى جدول السرعات الموصى بها).
- لن يعمل جهاز تحضير الطعام في حالة تركيب السلطانية أو الغطاء العلوى بطريقة غير صحيحة في موضع تعشيق القفل. تأكدى من توجيه أنبوب إدخال المكونات ومقبض السلطانية إلى الجانب الأيمن للجهاز.
- استخدمى مفتاح وضع التشغيل النبضى (P) للتشغيل لفترات قصيرة. يعمل وضع التشغيل النبضى طوال فترة الضغط على مفتاح التحكم.
- ٦ اتبعى الخطوات السابقة بترتيب معكوس لإزالة الغطاء العلوى، الملحقات ووعاء التقطيع.
- أوقفى دائماً تشغيل الجهاز قبل إزالة الغطاء العلوى.

ملاحظة هامة

- جهاز تحضير الطعام غير ملائم لطحن حبوب القهوة أو تحويل حبيبات السكر إلى سكر بودرة.
- عند إضافة روح أو نكهة اللوز للخلطات، تجنبى ملامسته مع البلاستيك حيث قد يؤدي ذلك إلى ترك علامات مستديمة على البلاستيك.

عربي

قبل قراءة التعليمات الرجاء فتح الصفحة الامامية التي تحتوي على الرسومات التوضيحية

قبل استخدام جهاز Kenwood

- اقرأ التعليمات التالية واحتفظي بها في المتناول للاستخدامات المستقبلية المرجعية.
- أزيلتي مكونات التغليف وأية ملصقات.

السلامة

- الشفرات وأسطح القطع حادة، يجب التعامل معها بمنتهى الحذر. امسكي دائماً نصل السكين بقبضة الإصبع من الجزء العلوي (a) بعيداً عن حافة التقطيع، سواء عند الاستخدام أو التنظيف.
- لا تقومي برفع أو حمل جهاز تحضير الطعام من المقبض - حيث قد ينكسر المقبض مما ينتج عنه حدوث إصابات.
- أزيلتي سكين التقطيع دائماً قبل صب المحتويات من وعاء التقطيع.
- أبقى على يديك وأدوات المطبخ خارج وعاء التقطيع ودورق المسيل أثناء التوصيل مع مصدر التيار الكهربائي.
- قومي بإيقاف تشغيل الجهاز وفصله عن مصدر التيار الكهربائي:-
 - قبل تركيب وإزالة الأجزاء؛
 - في حالة عدم الاستخدام؛
 - قبل التنظيف.
- لا تستخدم ي أصابعك لدفع الطعام خلال أنبوب التغذية. استخدمي دائماً عصا دفع المكونات المزودة.
- يحذر تركيب وحدة الشفرات على وحدة الطاقة (الموتور) بدون تركيب دورق المسيل أو وعاء الطحن الخاص بالمطحنة.
- قبل إزالة الغطاء العلوي عن وعاء تحضير الطعام أو إزالة المسيل/المطحنة عن وحدة الطاقة:-
 - أوقف تشغيل الجهاز؛
 - انتظري حتى توقف الملحقات/الشفرات تماماً عن الحركة؛
 - توخي الحذر حتى لا ينفصل دورق المسيل عن وحدة الشفرات.

- يجب السماح بتبريد السوائل إلى درجة حرارة الغرفة قبل عملية المزج.
- لا تستخدم الغطاء العلوي لتشغيل جهاز تحضير الطعام، استخدمي دائماً زر تحكم السرعة On/Off (تشغيل/إيقاف).

- سيختلف الجهاز وقد تحدث إصابات في حالة تعرض آلية التعشيق لقوة مفرطة.

- افضلي دائماً جهاز تحضير الطعام عن مصدر التيار الكهربائي في حالة عدم استخدامه.

- يحذر استخدام أي ملحقات غير معتمدة.
- لا تتركي الجهاز دون ملاحظة أثناء تشغيله.
- يحذر استخدام الجهاز في حالة تلفه. في مثل هذه الحالة، يجب فحص الجهاز أو إصلاحه: راجعي قسم "الصيانة ورعاية العملاء".
- يحذر تعرض وحدة الطاقة أو السلك الكهربائي أو قابس التوصيل للماء.
- لا تسمحي بتدلي السلك الكهربائي الزائد عن طاولة العمل ولا تسمحي له أيضاً بالتلامس مع أسطح ساخن.

- لا تتجاوزي السعات القصوى الموصى بها والمحددة في جدول السرعات.
- هذا الجهاز غير مخصص للاستخدام من قبل أشخاص (بمن فيهم الأطفال) ذوي انخفاض في القدرات الجسدية أو الحسية أو العقلية أو لمن دون خبرة أو معرفة بالجهاز، ما لم يتم الإشراف عليهم أو إعطائهم تعليمات بشأن استخدام الجهاز من قبل الشخص المسئول عن سلامتهم.

- يجب الإشراف على الأطفال للتأكد من عدم عبثهم بالجهاز.
- استخدمي الجهاز فقط في الاستخدامات المنزلية المخصص لها. لن تتحمل شركة Kenwood أية مسؤولية في حالة استخدام الجهاز بطريقة غير صحيحة أو عدم الامتثال للتعليمات المذكورة.

- قد يؤدي سوء استخدام جهاز تحضير الطعام/المسيل إلى حدوث إصابات.
- تعتمد السعة القصوى على الملحق المستخدم والذي يستمد حمل أكبر.
- بعض من الملحقات الأخرى قد تستمد حمل أقل.

- راجعي القسم ذي الصلة من خلال قسم "استخدام الملحقات" لمعرفة المزيد من تحذيرات السلامة بالنسبة لكل ملحق على حدة.

قبل التوصيل بالكهرباء

- يجب التأكد من تماثل مواصفات المصدر الكهربائي مع المواصفات الموضحة على الجانب السفلي للجهاز.
- يتوافق هذا الجهاز مع توجيهات الاتحاد الأوروبي 2004/108/EC بشأن التوافق الكهرومغناطيسي وتنظيمات الاتحاد الأوروبي رقم 1935/2004 الصادرة بتاريخ ٢٧/١٠/٢٠٠٤ والمتعلقة بالمواد المتلامسة مع الأطعمة.

قبل الاستعمال للمرة الاولى

- ١ أزيلتي أغشية النصل البلاستيكية عن سكين التقطيع. توخي الحذر فسكين التقطيع حاد جداً. يجب التخلص من هذه الأغشية حيث أنها مزودة لحماية سكين التقطيع أثناء التصنيع والنقل.
- ٢ اغسلي الأجزاء "راجعي قسم الرعاية والتنظيف".

مفتاح الرموز

جهاز تحضير الطعام

- ① وحدة الطاقة
- ② عمود ادارة قابل للفصل
- ③ وعاء
- ④ غطاء
- ⑤ انبوب التغذية
- ⑥ دافعات
- ⑦ أقفال الأمان
- ⑧ مخزن السلك (في الخلف)
- ⑨ مفتاح التحكم في السرعة/التشغيل النبضي
- ⑩ ضوء التشغيل

المسيل

- ⑪ فتحة التعبئة
- ⑫ غطاء
- ⑬ إحكام الغطاء العلوي
- ⑭ الدورق
- ⑮ حلقة إحكام الإغلاق
- ⑯ وحدة الشفرة

المفرمة الصغيرة/المطحنة

- ⑰ وحدة الشفرة
- ⑱ حلقة إحكام الإغلاق
- ⑲ وعاء الطحن
- ⑳ الغطاء العلوي بفتحة للرش

قطع ملحقة اضافية

- ⑳ شفرة السكين
- ㉑ اداة العجن
- ㉒ مضرب البيض الثنائي المعدني
- ㉓ وحدة الخلط الموسعة (maxi-blend canopy)
- ㉔ قرص عمل الشرائح السميكة/التقطيع الخشن
- ㉕ قرص الشرائح الرقيقة/التقطيع الناعم
- ㉖ قرص تقطيع أصابع رفيعة
- ㉗ قرص البشر/الجبن البارميزان
- ㉘ عصارة موالح
- ㉙ وعاء جهاز المعالجة ميني
- ㉚ عصارة الطرد المركزي
- ㉛ مخزن الملحقات KENSTORE
- ㉜ مقشطة

راهنمای عیب یابی

مشکل	علت	راه حل
دستگاه کار نمی کند.	برق قطع است/چراغ نشانگر روشن نمی شود. کاسه به طرز صحیح به واحد موتور وصل نشده است. در کاسه به طرز صحیح قفل نشده است.	بررسی کنید که دستگاه به برق وصل شده باشد. بررسی کنید که کاسه به طرز صحیح در محل خود و دسته در سمت راست قرار گرفته باشد. بررسی کنید که قفل داخلی به طرز صحیح در محل دستگیره قرار گرفته باشد. اگر کاسه و درپوش بدرستی سوار نشده باشند، غذاساز کار نخواهد کرد. اگر هیچکدام از موارد بالا عمل نکرد فیوز یا قطع کننده مدار منزل خود را بررسی کنید.
همزن/آسیاب/خرد کن کوچک کار نمی کند.	همزن/آسیاب/خرد کن کوچک به درستی قفل نشده است. همزن/آسیاب/خرد کن کوچک به درستی سوار نشده است. پایه اشتباه استفاده شده است.	همزن/آسیاب/خرد کن کوچک در صورتی درست به قفل داخلی وصل نشده باشد، کار نخواهد کرد. دقت کنید که واحد تیغه محکم در جام بسته شده باشد. پایه آسیاب قابل تعویض با جام شیشه ای هم زن نمی باشد. غذا ساز در صورتی که پایه اشتباه جا زده شده باشد، کار نخواهد کرد. بررسی کنید که علامت کرافیکی روی پایه استفاده شده صحیح باشد.
دستگاه هنگام عملیات متوقف می شود	در دستگاه بار بیش از حد قرار داده شده است یا ظرفیت از حداکثر فراتر رفته است. قفل در باز شده است.	ظرفیتهای حداکثر اظهار شده در جدول سرعت پیشنهادی را بررسی کنید. بررسی کنید که در به طرز صحیح بسته شده باشد.
هم زن از محل پایه تیغه نشت می کند.	واشر وجود ندارد. واشر اشتباه جا زده شده است. واشر آسیب دیده است.	بررسی کنید که واشر به طرز صحیح جا زده شده باشد و صدمه ندیده باشد. برای تهیه واشر یدکی به خدمات و سرویس دهی به مشتریان مراجعه کنید.
عملکرد ضعیف ابزارها/ملحقات	به نکات مربوط در بخش "استفاده از ملحقات" مراجعه کنید. بررسی کنید که ملحقات به طرز صحیح سوار شده باشند.	

همه قطعات دیگر

- با دست شسته، سپس خشک کنید.
- همچنین می توانید سایر قطعات را توسط ماشین ظرف شویی با قرار دادن در قفسه بالای ماشین ظرف شویی بشویید. قرار دادن قطعات در قفسه پایین که مستقیماً روی المنت حرارتی قرار دارد خودداری کنید. یک برنامه کوتاه با درجه حرارت پایین (حداکثر ۵۰ درجه سانتیگراد) توصیه می شود.

مناسب برای ماشین ظرف شویی	قطعه
✓	کاسه اصلی، در، فشار دهنده
✓	تیغه های کاردی، ابزار خمیر
✓	هم زندهای پره ای سر محرك را در آب فرو نبرید.
✓	محور محرك جدا شونده
✓	دیسکها
✓	آب میوهک بری مرکبات
✓	آب میوهک بریک ریز از مرکز
✓	کاسه کوچک و کارد
✓	جام هم زن، در، سرپوش پر کننده
✓	ظرف آسیاب
✗	واحد تیغه و واشر آب بندی هم زن و آسیاب/خرد کن کوچک
✓	کاردک
✓	محل نگهداری

خدمات و سرویس دهی به مشتریان

- اگر سیم آسیب دیده است، به منظور تامین ایمنی باید حتماً و حتماً توسط KENWOOD یا یک تعمیرکار مجاز KENWOOD تعویض شود.
- اگر هنگام کار با غذا ساز با مشکلی روبرو شدید، قبل از تماس برای کمک به راهنمای عیب یابی مراجعه کنید.
- اگر در این موارد نیاز به کمک دارید:
- استفاده از دستگاه یا
- سرویس کردن یا تعمیرات
- با فروشنده‌ای که دستگاه را از آنجا خریداری کرده اید، تماس بگیرید.
- طراحی و مهندسی شده توسط Kenwood انگلستان.
- ساخت چین.



اطلاعات مهم در باره مصرف درست محصول وفق رهنمود انجمن اروپایی 2002/96/EC

در پایان حیات کارگر بودن محصول، آنرا نباید مانند اتلاف شهری مرتب کرده شود.

باید آن را به یک مدرک خاص محلی مرکز تفکیک شده جمع آوری اتلاف یا به یک معاملات چپی برده شود که این سرویس را فراهم می سازد با جداگانه مرتب کردن یک وسیله خانگی از نتیجه های منفی امکانی برای محیک و بهبودی منتج شده از مصرف بیمورد دوری جسته می شود و آن ماده اصلی را جهت حاصل کردن پس اندازی قابل توجه در توانایی و وسایل قادر بر دوباره بدست آوردن می سازد بطور یک یادآور احتیاج به جداگانه مرتب کردن وسایل خانگی، آن محصول را با یک زیاله دانی چرخ دار قلمزده نشان کرده می شود

آماده نکنید از این مواد به تیغه صدمه می زنند.

چند نکته

- قبل از آماده سازی مواد هسته ها و دانه ها (مانند فلفل، هندوانه، هلو) را بگیرد و پوستهای ضخیم را جدا کنید (مانند هندوانه، آناناس). نیازی به گرفتن پوست یا هسته سبب یا کلابی نمی باشد.
- از میوه و سبزیجات سفت و تازه استفاده کنید.
- مرکبات - همه پوست سفید را بگیرد و جدا کنید و گرنه آب میوه ممکن است تلخ شود. برای کسب بهترین نتیجه از پرس مرکبات استفاده کنید.

32) ظرف KENSTORE™

غذا ساز شما همراه با یک ظرف نگهداری ملحق است که درون کاسه جای می گیرد ارائه می شود.

برای استفاده از ظرف ذخیره سازی

- 1 تیغه چاقویی را در کاسه قرار دهید.
- 2 سپس هم زن پره ای، دیسکها و تیغه چتری را درون ظرف جا بزنید ①
- 3 ظرف را روی تیغه چاقویی قرار دهید و در دستگاه را در بالای آن قرار دهید ②.

نگهداری و تمیز کردن

- همیشه قبل از تمیز کردن دستگاه را خاموش کرده و از برق بکشید.
- با تیغه ها و دیسکهای برش دهنده با دقت کار کنید - آنها بسیار تیز هستند.
- بعضی مواد غذایی ممکن است رنگ پلاستیک را عوض کنند. این مسئله کاملاً عادی است و آسیبی به پلاستیک نمی رساند و یا تاثیری در مزه غذا نخواهد داشت. برای از بین بردن این تغییر رنگها از یک دستمال که در روغن نباتی خیس کرده اید استفاده نمایید.

دستگاه

- یک دستمال تم دار روی آن بکشید، و بعد خشک کنید. مطمئن شوید که بخش قفل داخلی عاری از ذرات مواد غذایی باشد.
- طول اضافی سیم را در بخش مخصوص قرار گرفتن سیم در پشت دستگاه قرار دهید ④.

همزن/خردکن کوچک/آسیاب

- 1 قبل از اینکه جام/پارچ را از روی تیغه ها باز کنید، آنرا خالی کنید.
- 2 جام/پارچ را با دست بشوئید.
- 3 حلقه آب بندی را برداشته و بشوئید.
- 4 به تیغه های تیز دست نزدیک - با آب داغ صابونی برس زده، سپس زیر شیر گرفته و کاملاً آبگشایی کنید. تیغه ها را زیر آب فرو نکنید.
- 5 آنرا پشت و رو قرار داده و بگذارید خشک شود.

هم زن دولوای پره ای دنده دار

- هم زنها به نرمی بکشید و آنها را از سر محرك جدا کنید. آنها را در آب دارای مایع ظرف شویی بشوئید.
- یک دستمال تم دار روی سر محرك بکشید، و بعد آن را خشک کنید. سر محرك را در آب فرو نبرید.

فیلتر استوانه ای کریز از مرکز

- جدا کننده تفاله را بلند کند و به نرمی به آن ضربه بزنید تا تفاله جدا شود.
- با استفاده از یک برس نرم تمیز کنید.
- فیلتر را به طور منظم به جهت علائم خرابی بررسی کنید. در صورتی که فیلتر صدمه دیده باشد از آن استفاده نکنید. به زسرویس و خدمات رسانی به مشتریانس مراجعه کنید.

چند نکته

- سبزیجات معطر هنگامی که تمیز و خشک باشند بهتر خرد می شود.
- همیشه مقدار کمی مایع هنگام هم زدن مواد پخته شده برای تهیه غذای کودک اضافه کنید.
- مواد غذایی مانند گوشت، نان، سبزیجات را قبل از آماده کردن به قطعاتی با اندازه ۱ تا ۲ سانتی متر (نیم تا سه چهارم اینچ) برش دهید.
- هنگام تهیه مایونز مقداری روغن از طریق لوله تغذیه اضافه کنید.

31) آب میوه گیری کریز از مرکز فلزی

از آب میوه گیری کریز از مرکز برای گرفتن آب میوه های سفت و سبزیجات استفاده کنید.

- 1 ابزار فشار دهنده
- 2 درک ریز از مرکز
- 3 پاک کننده تفاله
- 4 فیلتر استوانه ای
- 5 محور محرک کاب میوهگ بری

برای استفاده از آب میوه گیری کریز مرکز

- 1 محور محرک آب میوه گیری و کاسه را روی واحد موتور نصب کنید.
- 2 جدا کننده تفاله ③ را در فیلتر استوانه ای ④ قرار دهید و مطمئن شوید که زبانه ها در شکافهای انتهایی درام ① قرار گرفته اند.
- 3 فیلتر استوانه ای را جا بزنید ④.
- 4 در ② روی کاسه قرار دهید و بچرخانید تا قفل شود ⑦. آب میوه گیری شما در صورتی که کاسه یا در آن به طرز صحیح در قفل داخلی ⑧ قرار داده نشده باشند، کار نخواهد کرد.
- 5 یک لیوان یا پارچ مناسب را زیر خروجی آب میوه قرار دهید.
- 6 مواد غذایی برش دهید تا در لوله تغذیه قرار گیرند.
- 7 دستگاه را روشن کنید و به صورت یکسان با استفاده از فشار دهنده فشار دهید - هرگز انگشتان خود را درون لوله تغذیه وارد نکنید. قبل از افزودن مواد بیشتر کاملاً مواد را آماده کنید.
- بعد از افزودن آخرین تکه، اجازه دهید که آب میوه گیری برای ۳۰ ثانیه دیگر هم کار کند تا تمام آب میوه از درام فیلتر خارج شود.

ایمنی

- از آب میوه گیری در صورتی که فیلتر صدمه دیده باشد، استفاده نکنید.
- تیغه های برش که روی قاعده فیلتر استوانه ای قرار گرفته اند بسیار تیز می باشند، هنگام کار با آنان و تمیز کردن آنها دقت کنید.
- فقط از ابزار مخصوص فشار دادن ارائه شده استفاده کنید. هرگز انگشتان خود را در لوله تغذیه وارد نکنید. همیشه قبل از رفع انسداد لوله تغذیه دوشاخه دستگاه را بیرون بکشید.
- قبل از برداشتن در، دستگاه را خاموش کرده و صبر کنید تا فیلتر متوقف شود.

مهم

- اگر آب میوه شروع به لرزش کرد، دستگاه را خاموش کنید و تفاله را از درام بیرون بیاورید. (آب میوه گیری در صورتی که تفاله ها به صورت نامتعادل توزیع شوند خواهد لرزید).
- حداکثر ظرفیتی که می تواند در هر بار عملیات شود برابر با ۵۰۰ گرم میوه یا سبزیجات می باشد.
- برخی از مواد غذایی سخت ممکن است حرکت آب میوه گیری را کند کرده یا آن را متوقف نمایند. اگر این اتفاق رخ داد دستگاه را خاموش کرده و فیلتر را رفع انسداد کنید.
- به طور منظم دستگاه را خاموش کرده و جمع کننده تفاله را در حین استفاده تمیز کنید.

24) چتر ماکسی-بلند

هنگام هم زدن مایعات، از چتر ماکسی-بلند همراه با تیغه کاردی استفاده کنید. این کار به شما اجازه می دهد تا ظرفیت عملیات با مایعات را از ۱ لیتر به ۱/۵ لیتر افزایش دهید و از نشست کردن جلوگیری بعمل آورید و عملکرد خرد کردن تیغه را بهبود بخشید.

- هنگام استفاده از دیسک خرد کردن، مواد را به صورت افقی قرار دهید.
- هنگام ورقه کردن یا خرد کردن: مواد غذایی که به صورت قائم ① قرار داده شده اند کوتاهتر از موادی که به صورت افقی قرار داده شده اند بیرون می آیند ②.
- همیشه مقدار کمی از مواد زاید روی دیسک بعد از آماده سازی روی دیسک یا کاسه قرار خواهد گرفت.

29) پرس مرکبات

از پرس مرکبات برای فشار دادن آب میوه استفاده کنید (مانند پرتقال، لیمو، لیمو ترش و گریپ فروت).

- ① مخروط
- ② غریال

برای استفاده از پرس مرکبات

- ۱ محور محرک و کاسه را روی واحد موتور نصب کنید.
 - ۲ صافی را درون کاسه جا بزیندرمطمئن شوید که دسته صافی در وضعیت خود مستقیماً در بالای دسته کاسه قفل شده است ③.
 - ۳ مخروط را روی محور محرک قرار دهید و بچرخانید تا پایین رود ①.
 - ۴ میوه را به دو نیمه برش دهید. سپس دستگاه را روشن کرده و میوه را روی مخروط فشار دهید.
- اگر صافی بدرستی قفل نشده باشد، پرس مرکبات کار نخواهد کرد.
 - برای کسب بهترین نتیجه آب میوه و میوه را در درجه حرارت اتاق نگهداری کنید و قبل از گرفتن آب میوه با دست آنان را روی پیشخوان بخلطانید.
 - برای گرفتن بهتر آب میوه میوه را هنگام آب گیری به طرفین حرکت دهید.
 - هنگام گرفتن مقادیر زیاد آب میوه، صافی را به طور منظم خالی کنید تا از جمع شدن تفاله و هسته جلوگیری به عمل آورید.

30) کاسه غذاسازک وچک

از کاسه غذا ساز کوچک برای خرد کردن سبزیجات معطر و عملیات روی مواد غذایی در اندازه های کوچک مانند گوشت، پیاز، آجیل و مایونز، سبزیجات، پوره، سوس و غذای بچه استفاده کنید.

- ① تیغه چاقویی غذا ساز کوچک
- ② کاسه غذاسازک وچک

ب

- ۱ محور محرک و کاسه را روی واحد موتور نصب کنید.
- ۲ کاسه غذا سازک وچک را جا بزیند- مطمئن شوید که لبه های درون لولهک اسهک وچک کبا شکافهای درونک اسهک وچک کدری کامتداد می باشند. ①
- ۳ تیغه چاقویی را روی محور محرک ② قرار دهید.
- ۴ موادی که باید آماده شوند را اضافه کنید.
- ۵ در را جا بزیند و دستگاه را روشن کنید.

ایمینی

- هرگز در را هنگامی که تیغه کاردی کاملاً متوقف نشده اند، از روی دستگاه برندارید.
- تیغه کاردی بسیار تیز است- همیشه با دست به دقت کار کنید.

مهم

- چاشنیها را با دستگاه آماده نکنید- این مواد ممکن است به پلاستیک صدمه بزنند.
- مواد غذایی سخت مانند دانه های قهوه، بیخ یا شکلات را با دستگاه

- ۱ محور محرک و کاسه را روی واحد موتور نصب کنید.
- ۲ تیغه کاردی را جا بزیند.
- ۳ موادی که باید آماده شوند را اضافه کنید.
- ۴ چتر را در بالای تیغه جا بزیند و مطمئن شوید که روی لبه داخل کاسه ⑤ می نشیند. چتر را به پایین فشار ندهید، آن را از وسط بگیرد.
- ۵ در را جا بزیند و دستگاه را روشن کنید.

دیسکهای برش/رنده کردن

دیسکهای برش زدن/رنده کردن دو روذ ضخیم 26، کناز 28

از سمت رنده کردن برای پنیر، هویج، سیب زمینی و مواد غذایی دارای بافت مشابه استفاده کنید.
از سمت ورقه کردن برای پنیر، هویج، سیب زمینی، کلم، خیار، بادنجان، چغندر و پیاز استفاده کنید.

دیسک رنده ریز (حالت آبگوشت) 27

برای برش این موارد استفاده کنید: سیب زمینی برای حالت آبگوشت، سیب زمینی سرخ کرده، مواد محکم مخصوص سالاد، ترتین، مواد سرخ کردنی (مانند هویج، کدو و خیار).

دیسک تراشیدن 28

رنده کرده پنیر پارمیژان و سیب زمینی برای پودینگ سیب زمینی آلمانی.

ایمینی

- هرگز در را هنگامی که دیسکهای برش کاملاً متوقف نشده اند، از روی دستگاه برندارید.
- هنگام کار با دیسکهای برش با دقت کار کنید تا آنها بسیار تیز می باشنند.

برای استفاده از دیسکهای برش

- ۱ محور محرک و کاسه را روی واحد موتور نصب کنید.
- ۲ بخش مرکزی دیسک ④ را در دستک رفته، دیسک را از سمتی که می خواهید روی محور محرک قرار دهید ⑤.
- ۳ در را جا بزیند.
- ۴ ساینز لوله تغذیه ای که می خواهید استفاده کنید را انتخاب کنید. فشار دهنده دارای یک لوله فشار دهنده کوچکتر برای عملیات روی مواد تکی یا ریز می باشد.
- برای استفاده از لوله تغذیه کوچکتر- ابتدا لوله بزرگتر را داخل لوله تغذیه قرار دهید.
- برای استفاده از لوله تغذیه بزرگ- از هر دو فشاردهنده با هم استفاده کنید.
- ۵ مواد غذایی را در لوله تغذیه قرار دهید.
- ۶ دستگاه را روشن کنید و به صورت یکسان با استفاده از فشار دهنده فشار دهید- هرگز انگشتان خود را درون لوله تغذیه وارد نکنید.

چند نکته

- از مواد غذایی تازه استفاده کنید
- مواد غذایی را بیش از حد کوچک برش ندهید. عرض لوله تغذیه عریض را تا حد امکان پر کنید. این کار از پاشیده شدن مواد در حین آماده سازی جلوگیری بعمل می آورد. به جای این کار از لوله تغذیه کوچک استفاده کنید.

- کار با چاشنی‌ها توصیه نمی‌شود چون ممکن است به قطعات پلاستیکی صدمه وارد کنند.
- اگر همزن بدرستی سوار نشده باشد، دستگاه کار نخواهد کرد.
- برای مخلوط کردن مواد خشک - آنها را تکه تکه کرده، درپوش پرکننده را بردارید؛ و سپس وقتی که دستگاه در حال کار بود، یکی یکی به داخل بیاندازید. دست خود را روی روزنه قرار دهید. برای کسب بهترین نتیجه جام را به طور منظم خالی کنید.
- از همزن بعنوان یک ظرف نگهداری مواد غذایی استفاده نکنید. همیشه آنرا قبل و بعد از استفاده خالی نگه دارید.
- مرکز بیش از ۱.۵ لیتر در آن هم نزنید - اگر مایعات کف دار بودند، مانند مایک شیک باید این حجم را کمتر هم بکنید.
- توجه: پایه خردکن کوچک/ آسیاب قابل تعویض با جام شیشه ای هم زن نمی‌باشد. غذا ساز در صورتی که پایه اشتباه جا زده شده باشد، کار نخواهد کرد. به علائمک رافیکی روی پایه های واحد تیغه مراجعه کنید.

برای استفاده از خردکن کوچک/ آسیاب

از خردکن کوچک/ آسیاب برای آسیاب کردن سبزیجات، آجیل و دانه های قهوه استفاده کنید.

- ۱ مواد را درون پارچ قرار دهید.
- ۲ واشر آب بندی را روی واحد تیغه جا بزنید ⑩.
- ۳ واحد تیغه را وارونه کنید. آن را داخل پارچ کنید به صورتی که تیغه پایین قرار گیرند.
- ۴ واحد تیغه را روی پارچ ببندید تا محکم بسته شود.
- ۵ خردکن کوچک/ آسیاب را روی دستگاهک داشته و بچرخانید تا قفل شود ⑪.
- ۶ سرعت را روی حداکثر انتخاب کرده یا از کنترل پالس استفاده کنید.
- ۷ بعد از آسیاب کردن می‌توانید تیغه را با در آبپاش تعویض کرده و مواد غذایی را بیرون بیاورید.
- در آبپاش محکم و غیر قابل نفوذ نمی‌باشد.

ایمنی

- هرگز واحد تیغه را بدون جا زدن پارچ در غذا ساز، جا نزنید.
- مرکز پارچ را در حالیکه خردکن کوچک/ آسیاب روی دستگاه جا زده شده است، باز نکنید.
- به تیغه های تیز دست نزنید و واحد تیغه را از دسترس کودکان دور نگاه دارید.
- تا زمانی که تیغه به طور کامل از حرکت نایستاده است، خرد کن کوچک/ آسیاب را جدا نکنید.
- برای اطمینان از طول عمر آسیاب، آن را بیش از ۳۰ ثانیه بکار نیاندازید. هنگامی که به غلظت مورد نظر رسیدید دستگاه را خاموش کنید.
- آماده کرده چاشنی توصیه نمی‌شود چون ممکن است به قطعات پلاستیکی آسیب برساند.
- دستگاه در صورتی که خردکن کوچک/ آسیاب به صورت اشتباه در قفل داخلی جا زده شده باشد کار نخواهد کرد.
- فقط برای مواد خشک استفاده کنید.

چند نکته

- سبزیجات معطر هنگامی که تمیز و خشک باشند بهتر آسیاب می‌شود.
- توجه: پایه خردکن کوچک/ آسیاب قابل تعویض با جام شیشه ای هم زن نمی‌باشد. غذا ساز در صورتی که پایه اشتباه جا زده شده باشد، کار نخواهد کرد. به علائمک رافیکی روی پایه های واحد تیغه مراجعه کنید.

استفاده از ملحقات

به سرعت توصیه شده در جدول برای هر ابزار مراجعه کنید.

⑪ واحد تیغه

تیغه کاردی بیشترین تنوع را در میان سایر ملحقات دارا می‌باشد. طول زمان آماده سازی نوع بافتی که بدست می‌آید را تعیین می‌کند. برای کسب بافت درشت تر از کنترل پالس استفاده کنید. از تیغه کارد برای درست کردن کیکو شیرینی، خرد کردن گوشت خام و پخته، سبزیجات، مغز، خمیر، دیپ، پوره کردن برای سوپ و همچنین کرامب از بسکویت و نان استفاده کنید.

چند نکته

- مواد غذایی مانند گوشت، نان، سبزیجات را برای آماده کردن به قطعاتی با اندازه ۲ سانتی متر/ سه چهارم اینچ برش دهید.
- بیسکویتها را باید ابتدا با دست خرد کرد و سپس در حینی که دستگاه کار می‌کند از طریق لوله تغذیه به داخل آن ریخت.
- اگر می‌خواهید شیرینی تهیه کنید باید روغن را به صورت جامد از یخچال بیرون آورده و به صورت تکه های ۲ سانتی متری ببرید.
- دقت کنید که مواد غذایی را بیش از اندازه در دستگاه پردازش نکنید.

⑫ ابزار خمیر

از مخلوطهای خمیر دارای مخمر استفاده کنید.

- مواد خشک را در کاسه ریخته و وقتی که دستگاه کار می‌کند، مایع را از لوله تغذیه اضافه کنید. تا زمانی که یک توپ نرم کشی بدست بیاورید، کار را ادامه دهید، این کار حدود ۶۰ ثانیه به طول می‌انجامد.
- برای ورز دادن مجدد فقط از دستان خود استفاده کنید. ورز دادن مجدد در کاسه توصیه نمی‌شود چون ممکن است باعث عدم ثبات غذا ساز شود.

⑬ هم زن پره ای دوقلوی دنده دار

فقط برای مخلوطهای سبک مانند سفیده های تخم مرغ، خامه، شیر تخیخ شده و برای زدن تخم مرغ و شکر برای کیکهای اسفنجی کم چربی استفاده کنید. مخلوطهای سنگین تر مانند چربی و آرد به آن صدمه می‌زنند.

استفاده از همزن پره ای

- ۱ محور محرك و کاسه را روی واحد موتور نصب کنید.
- ۲ هر کدام از هم زنها را محکم در سر محور جا بزنید ⑬.
- ۳ هم زن پره ای را با دقت جا زده و بچرخانید تا روی محور محرك بیافند.
- ۴ مواد را اضافه کنید.
- ۵ در را جا بزنید تا مطمئن شوید که بالای محور محرك در مرکز در قرار می‌گیرد.
- ۶ دستگاه را روشن کنید.

مهم

- هم زن پره ای برای ساخت کیکهای یک مرحله ای یا خامه پرچرب و شکر مناسب نمی‌باشد چون این مخلوطها به آن صدمه می‌زنند. همیشه از تیغه کاردی برای ساخت کیک استفاده کنید.

چند نکته

- بهترین نتایج هنگامی بدست می‌آید که دمای تخم مرغها با درجه حرارت اتاق برابر باشد.
- قبل از آغاز کار مطمئن شوید که کاسه و همزن تمیز و عاری از چربی باشند.
- در کیکهای اسفنجی بدون چربی و کیکهای میوه ای با دقت آرد و شکر را با دست با استفاده از یک قاشق فلزی هم بزنید.

جدول سرعت پیشنهادی

ایزار/ملحقات	کارکرد	سرعت	حداکثر گنجایش
تیغه چاقو	مخلوط يك يك مرحله ای	۸ - ۱	۱.۵ کیلو گرم
	شیرینی - مالش روغن و چربی در آرد	۸ - ۵	۳۴۰ گرم
	افزودن آب برای مخلوط کردن مواد شیرینی پزی	۵ - ۱	
	خرد کردن/تهیه پوره/پاته	۸	۶۰۰ گرم
تیغه چاقو همراه با تیغه چتری ماکسی بلند	سوپ با يك سرعت پایین شروع کرده و به سرعت حداکثر بروید	۸ - ۱	۱.۵ لیتر
پره	سفیده تخم مرغ	۸	۶ سفیده تخم مرغ
	تخم مرغ و شکر برای کیکهای اسفنجی بی چربی	۸	
	خامه	۸ - ۵	۵۰۰ میلی لیتر
ایزار خمیر	مخلوطهای دارای مایه	۸	۶۰۰ گرم
دیسکها - برش دادن/رنده کردن/خرد کردن	مواد غذایی سفت مانند هویج، پنیرهای سفت	۸ - ۵	
	مواد غذایی نرم تر مانند خیار، گوجه فرنگی	۵ - ۱	
دیسک تراشیدن	پنیر پارمیژان و سیب زمینی برای پودینگ سیب زمینی آلمانی	۸	
آب میوه گیری مرکبات	مرکبات	۱	
کاسه کوچک	در کلیه موارد	۸	۲۰۰ گرم
همزن	در کلیه موارد	۸	۱.۵ لیتر
خردکن کوچک/آسیاب	سبزیجات معطر	۸	۱۰ گرم
	آجیل و دانه های قهوه	۸	۵۰ گرم
آب میوه گیری کریز از مرکز	میوه و سبزیجات	۸	۵۰۰ گرم

برای استفاده از دستگاه غذاساز

۱. محور جداشدنی را روی واحد موتور سوار کنید ①.
۲. حالا کاسه را قرار دهید. دسته را به طرف پشت قرار داده و در جهت حرکت عقربه های ساعت بچرخانید تا قفل شود ②.
۳. وسیله الحاقی را روی محور محرك نصب کنید. همیشه قبل از اینکه مواد غذایی در داخل دستگاه قرار دهید، کاسه و ملحقات را در غذا ساز جا بزنید.
۴. درپوش را سوار کنید ③ - و مطمئن شوید که بالای محور محرك در مرکز درپوش قرار می گیرد.
- **از درپوش برای کنترل کار غذاساز استفاده نکنید، برای این کار همیشه از روشن/خاموش کنترل سرعت استفاده کنید.**
۵. دستگاه را به برق وصل کنید تا چراغ دستگاه روشن شود. دستگاه را روشن کرده و یکی از سرعتها را انتخاب کنید. (به جدول سرعتهای توصیه شده مراجعه کنید).
- **غذا ساز در صورتی که کاسه یا در آن به طرز صحیح در قفل داخلی قرار داده نشده باشند، کار نخواهد کرد. بررسی کنید که لوله تغذیه و دسته کاسه در سمت راست قرار گرفته باشند.**
- کنترل پالس (P) را برای حرکتهای سریع به کار ببرید. حالت پالس تا زمانی که دکمه کنترل را نگه داشته باشید، ادامه خواهد داشت.
۶. برای برداشتن درپوش، ملحقات و کاسه مراحل فوق را به ترتیب عکس انجام دهید.
- **همیشه قبل از برداشتن درپوش، دستگاه را خاموش کنید و دوشاخه آن را از پریز بیرون بکشید.**
- مهم**
- غذا ساز شما برای خرد کردن یا آسیاب کردن دانه های قهوه یا تبدیل شکر دانه ای به خاکه قند مناسب نمی باشد.
- هنگام افزودن اسانس بادام یا طعمهای خوراکی به مخلوطها از مالیده شدن آنان به قطعات پلاستیکی جلوگیری کنید چون ممکن است لکه دائمی از خود باقی گذارند.

نکات

- وقتی می خواهید مایونز درست کنید، همه مواد لازم بجز روغن را در همزن قرار دهید. سپس وقتی دستگاه در حال کار بود، روغن را در درپوش پرکننده ریخته و بگذارید به داخل برود.
- برای مخلوطهای غلیظ مانند پاته یا سسها شاید لازم باشد آنها را با کارد بیرون بیاورید. اگر کار دشوار بود، مقداری مایع بیشتری اضافه کنید.
- خرد کردن یخ - با حالت پالس در زمانهای کوتاه کار کنید تا زمانی که یخ به مقدار دلخواه خرد و یگدست شود.
- برای تضمین عمر طولانی همزن، هرگز آنرا برای بیش از ۶۰ ثانیه آسیاب را به مدت ۳۰ ثانیه به طور مداوم به کار نگیرید.

فارسی

لطفا صفحه اول که دارای تصویر است را باز کنید

- پیش از اینکه از وسیله خانگی Kenwood خود استفاده کنید این دستورالعمل ها را با دقت مطالعه کرده و آنها را برای استفاده های بعدی نگه دارید.
- تمامی بسته بندی ها و کلیه برچسب ها را بردارید.

ایمنی

- تیغه ها و دیسکها بسیار تیز هستند، موقع دست زدن به آنها خیلی مواظب باشید. همیشه از بخش کیره انگشتی (A) در بالا و دور از لبه برنده هنگام کار و تمیز کردن نگاه داشته شود.
- دستگاه را با دستگیره بلند نکنید یا جابجا نکنید - ممکن است دستگیره شکسته و آسیب وارد کند.
- همیشه پیش از ریختن مواد غذایی از کاسه، تیغه چاقو را بیرون بیاورید.
- دستان و لوازم آشپزخانه را هنگامی که دستگاه به برق وصل است از کاسه غذا ساز و جام همزن دور نگاه دارید.
- در موارد زیر دستگاه را خاموش کرده و دوشاخه برق آنرا بکشید:
 - قبل از جا زدن یا بیرون آوردن قطعات؛
 - هنگامی که از دستگاه استفاده نمی شود؛
 - قبل از تمیز کردن.

- هرگز از انگشتان خود برای فشار دادن مواد غذایی به داخل لوله تغذیه استفاده نکنید. همیشه از ابزار مخصوص فشار دادن که همراه با دستگاه ارائه شده استفاده کنید.
- هرگز واحد تیغه را بدون جا زدن همزن یا پارچ آسیاب روی واحد موتور وصل نکنید.
- قبل از برداشتن در کاسه یا همزن، یا خردکن کوچک/آسیاب از روی واحد موتور:
 - دستگاه را خاموش کنید؛
 - منتظر شوید تا حرکت تیغه ها/ملحقاتی که به دستگاه وصل کرده اید به طور کامل متوقف شود.
 - دقت کنید تا ظرف همزن یا خرد کن کوچک/پارچ آسیاب را از واحد تیغه ها جدا نکنید.

- قبل از اینکه مایعات را مخلوط کنید، اجازه دهید به دمای اتاق برسند.
- از درپوش برای کنترل کار غذا ساز استفاده نکنید، برای این کار همیشه از روشن/خاموش کنترل سرعت استفاده کنید.
- دستگاه آسیب خواهد دید و اگر مکانیزم قفل داخلی در معرض فشار بیش از حد قرار گیرد، ممکن است باعث بروز جراحت شود.
- همیشه هنگامی که از غذا ساز استفاده نمی کنید دوشاخه آن را از پریز بیرون بکشید.
- هرگز از ملحقاتی که مورد تایید سازنده نیستند استفاده نکنید.
- هنگامی که دستگاه در حال کار است، هرگز دستگاه را بدون نظارت رها نکنید.
- هرگز از دستگاه آسیب دیده استفاده نکنید. در موارد زیر دستگاه را برای بررسی و یا تعمیر ببرید: به بخش "خدمات و سرویس دهی به مشتریان" مراجعه کنید.

- هرگز نگذارید دستگاه، سیم یا پریز خیس شوند.
- نگذارید سیم زیادی از لبه میز آشپزخانه یا میزکار آویزان شده و یا با سطوح داغ تماس پیدا کند.
- از ظرفیت حداکثر که در جدول سرعت توصیه شده است فراتر نروید.
- این دستگاه نباید توسط افرادی (و نیز کودکان) که دچار ناتوانی های جسمی، حسی یا روانی هستند، یا دانش و تجربه کمی دارند به کار برده شود مگر اینکه کسی بر کار آنها نظارت کند یا فردی که مسئول ایمنی آنهاست دستورالعملهای لازم در خصوص استفاده از دستگاه را به آنها داده باشد.
- حتماً باید کودکان را تحت نظر داشت تا با دستگاه بازی نکنند.
- از دستگاه فقط برای منظوری که طراحی شده است در خانه استفاده کنید.
- اگر دستگاه به طور نادرست به کار گرفته شود، و یا این دستورالعملها رعایت نشده باشند Kenwood هیچ مسئولیتی نخواهد پذیرفت.
- استفاده نادرست از دستگاه غذا ساز/هم زن موجب بروز جراحت خواهد شد.
- حداکثر درجه بندی بر اساس ابزاری است که بالاترین بار را می کشد سایر ملحقات ممکن است کمتر برق مصرف کنند.
- به بخش مربوط به "استفاده از ملحقات" جهت هشدارهای ایمنی بیشتر در مورد هر کدام از ملحقات مراجعه کنید.

- قبل از زدن به برق مطمئن شوید که مشخصات برق تغذیه کننده مشابه مشخصات درج شده در زیر دستگاه شما باشد.
- این دستگاه با مصوبه شماره 2004/108/EC اتحادیه اروپا در خصوص سازگاری الکترومغناطیسی و قانون شماره 1935/2004 اتحادیه اروپا مصوب 27/10/2004 در خصوص موادی که با غذا و خوراکی تماس دارند، سازگار است.

قبل از اولین استفاده

- پوشش پلاستیکی روی تیغه ها را از تیغه چاقو باز کنید. خیلی دقت کنید چون تیغه ها بسیار تیز هستند. پوششها باید دور انداخته شوند چون فقط برای محافظت از تیغه در حین ساخت و حمل و نقل در نظر گرفته شده اند.
- بخشهای مختلف را بشوئید، به بخش "مراقبت و تمیز کردن" مراجعه کنید.

راهنما

غذا ساز

- ① واحد موتور
- ② محور محرک جدا شونده
- ③ کاسه
- ④ در
- ⑤ لوله تغذیه
- ⑥ فشار دهنده ها
- ⑦ قفلهای داخلی ایمنی
- ⑧ محل ذخیره سیم (در پشت)
- ⑨ کنترل سرعت/پالس
- ⑩ چراغ روشن بودن

همزن

- ⑪ سرپوش پرکننده
- ⑫ در
- ⑬ واشر آب بندی در
- ⑭ جام
- ⑮ حلقه آب بندی
- ⑯ واحد تیغه

خردکن کوچک/آسیاب

- ⑰ واحد تیغه
- ⑱ واشر آب بندی کردن
- ⑲ پارچ
- ⑳ در آب پاش

ملحقات

- ⑳ تیغه چاقو
- ㉑ ابزار خمیر
- ㉒ هم زن دوقلوی پره ای دنده دار فلزی
- ㉓ چتر ماکسی بلند
- ㉔ دیسک برش ضخیم/رنده کردن درشت
- ㉕ دیسک ورقه کردن نازک/رنده کردن ریز
- ㉖ دیسک رنده ریز (حالت آبگوشت)
- ㉗ دیسک تراشیدن/پارمیزان
- ㉘ آب میوه گیری مرکبات
- ㉙ کاسه کوچک
- ㉚ آب میوه گیری کریز از مرکز
- ㉛ ظرف ملحقات KENSTORE
- ㉜ کاردک



HEAD OFFICE: Kenwood Limited, 1-3 Kenwood Business Park, New Lane, Havant, Hampshire PO9 2NH

kenwoodworld.com

KENWOOD

Free Manuals Download Website

<http://myh66.com>

<http://usermanuals.us>

<http://www.somanuals.com>

<http://www.4manuals.cc>

<http://www.manual-lib.com>

<http://www.404manual.com>

<http://www.luxmanual.com>

<http://aubethermostatmanual.com>

Golf course search by state

<http://golfingnear.com>

Email search by domain

<http://emailbydomain.com>

Auto manuals search

<http://auto.somanuals.com>

TV manuals search

<http://tv.somanuals.com>