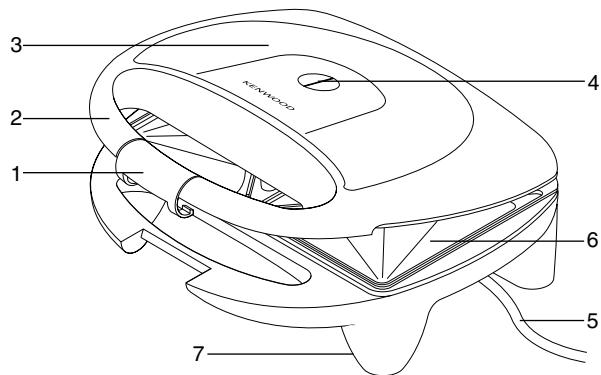


## Know your Kenwood Snack Maker



## Key

- |                     |                              |
|---------------------|------------------------------|
| 1. Handle latch     | 5. Cord                      |
| 2. Handle           | 6. Non-stick toasting plates |
| 3. Lid              | 7. Feet                      |
| 4. Indicator lights |                              |

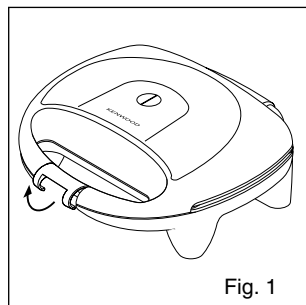


Fig. 1

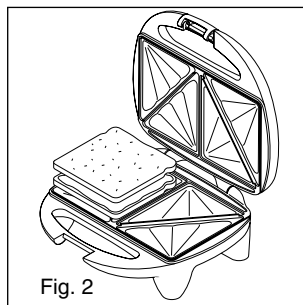


Fig. 2

**DO NOT IMMERSE THIS APPLIANCE IN WATER**

### Connecting to Power

Before switching on make sure that the voltage of your electricity supply is the same as that indicated on the rating plate.

**IMPORTANT (UK ONLY):** The wires in the mains lead are coloured in accordance with the following code:

GREEN and YELLOW	EARTH
BLUE	NEUTRAL
BROWN	LIVE

### NOTE:

This appliance complies with European Economic Community Radio Interference Directive 89/336/EEC.

## IMPORTANT SAFEGUARDS

When using electrical appliances basic safety precautions should always be followed, including the following:-

1. Read all instructions.
2. Do not touch hot surfaces, and beware of steam which may escape from the appliance during operation.
3. To protect against electric shock do not immerse cord, plug or appliance in water or other liquids.
4. Do not use metal objects, knives, forks or similar implements as they may damage the plates.
5. This appliance is not intended for use by young children or infirm persons without supervision.
6. Do not leave your snack maker on unattended.
7. Do not use any unauthorised attachments with your snack maker, they may be hazardous.
8. Unplug from outlet when not in use and before cleaning.
9. Do not cover your snack maker whilst it is hot or in use.
10. If the supply cord of this appliance is damaged, it must for safety reasons be replaced by Kenwood or an authorised Kenwood repairer.
11. The use of accessory attachments not recommended by the appliance manufacturer may cause injury.
12. Do not use outdoors.
13. Do not let cord hang over edge of table or worktop or touch hot surfaces.
14. Only use this appliance for its intended domestic use.
15. Young children should be supervised to ensure that they do not play with this appliance.

## SAVE THESE INSTRUCTIONS

### Before using your Snack Maker

Before using your snack maker for the very first time, clean the appliance and plates as described in the 'Cleaning' section.

Brush a little cooking oil on the plates, heat the appliance with the lid open for 5 minutes. Unplug and allow to cool, then remove any surplus oil with absorbent paper. The snack maker is now ready for use.

When using your snack maker for the first time you may notice a fine smoke haze being emitted. This is normal and is due to the initial heating of the internal components.

## Operation

**Please read all instructions before using this appliance.**

### To make Toasted Sandwiches

1. Close the lid of the snack maker.
2. Plug the appliance into the power supply. The red light will glow indicating that the snack maker is heating, whilst the green light remains off. Once the correct temperature for use has been reached the red light will go off and the green light will come on.
3. Whilst the snack maker is heating prepare the bread and filling.
4. For golden toasted sandwiches, spread butter on the outside of the bread. Beware of some spreads which are not suitable for toasting. Always select bread of a suitable size to fit the plates. Place the filling between the unbuttered sides of the bread. Ensure the sandwiches are evenly filled to assist with even browning.
5. Open the snack maker by pulling the handle latch outwards and lifting the lid (see fig. 1).
6. Place the sandwiches into the appliance (see fig. 2).
7. Close the lid, using a wooden spoon to hold the bread in place if necessary, until the handle latch locks. Do not force the lid closed. If the lid is difficult to close you may have too much filling or the bread slices may be too thick.
8. Allow the sandwich to toast for 3-8 minutes according to taste and ensuring that raw ingredients (eg bacon) are thoroughly cooked, alternatively, pre-cook them before toasting. Beware of steam which may escape from the front of the appliance.
9. Open the snack maker in one swift movement and remove the toasted sandwiches. Do not use a metal implement for this as it may damage the toasting plates.
10. After use, unplug the appliance and allow to cool.

### To make Pastry Snacks

Ready made pastry sheets such as filo or puff pastry are ideal for making quick and easy snacks.

1. Place a suitably sized piece of pastry sheet onto the pre-heated cooking plate of your snack maker.
2. Form hollows in the pastry and spoon on the filling such as apple, ricotta cheese or vegetables.
3. Top with another piece of pastry sheet and close the lid.
4. Cook until the pastry is golden brown and the filling cooked

#### IMPORTANT

Be careful when biting into anything cooked in the snack maker, as some fillings such as cheese and jam can be extremely hot and will burn if eaten too quickly.

## Cleaning

Remove the plug from the power supply before cleaning.

Do not clean the snack maker under running water and do not immerse in water.

To clean, allow the toasting plates to cool then wipe the appliance with a damp cloth plus a little washing up liquid if necessary. Dry carefully afterwards.

## Storage

When the appliance is cool, the cord can be wrapped around the appliance.

## Service

If the supply cord of this appliance is damaged, it must for safety reasons be replaced by Kenwood or an authorised Kenwood repairer.

#### UK

For any repairs in or out of guarantee, servicing or selected spare parts, contact your Kenwood Authorised Repairer in the **Yellow Pages** under **Electrical Appliance Repairs** or telephone 023 92392333 and ask for Customer Care.

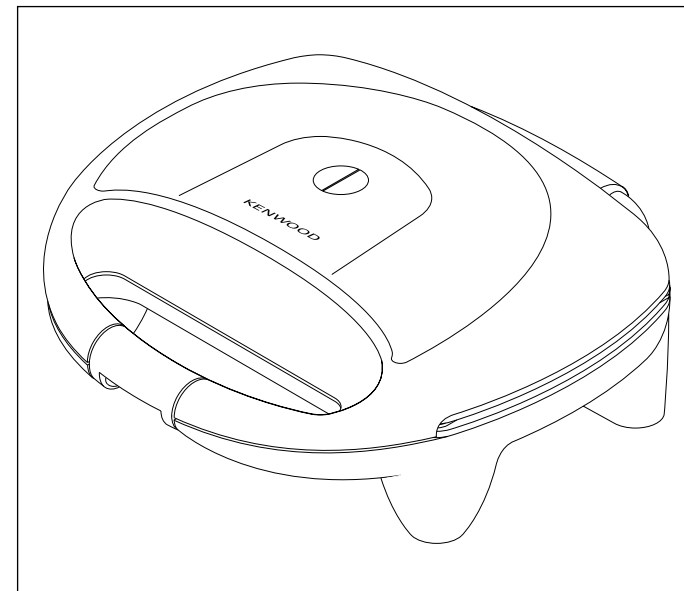
#### EIRE

Contact local repairer from advertisement in the Golden Pages.

#### ALL OTHER MARKETS

Contact the dealer from whom you purchased your appliance.

# KENWOOD



## SM400 series

# KENWOOD LIMITED

New Lane • Havant • Hants • PO9 2NH  
www.kenwood.co.uk

10006/2

## Free Manuals Download Website

<http://myh66.com>

<http://usermanuals.us>

<http://www.somanuals.com>

<http://www.4manuals.cc>

<http://www.manual-lib.com>

<http://www.404manual.com>

<http://www.luxmanual.com>

<http://aubethermostatmanual.com>

Golf course search by state

<http://golfingnear.com>

Email search by domain

<http://emailbydomain.com>

Auto manuals search

<http://auto.somanuals.com>

TV manuals search

<http://tv.somanuals.com>