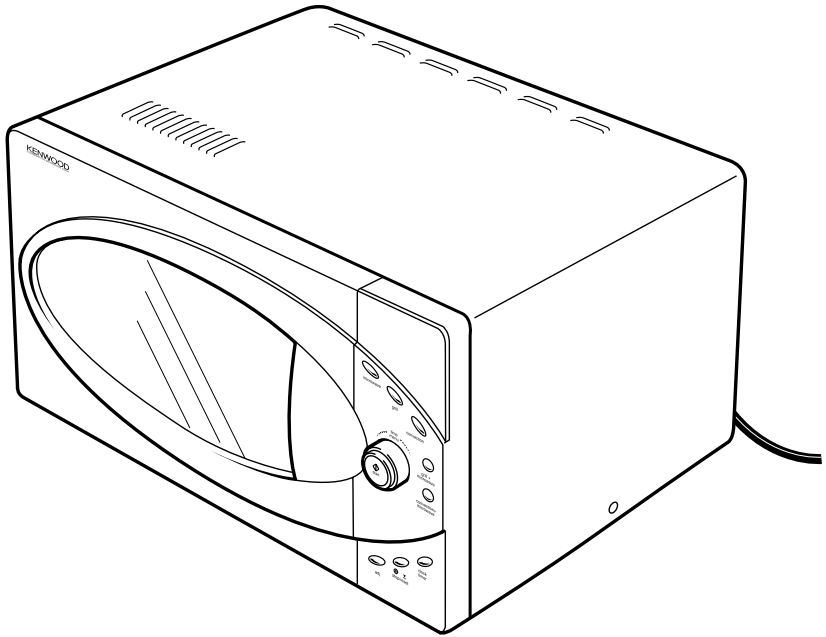


# KENWOOD



## MW761E

Please read through these instructions carefully before operating your microwave oven + grill.

## ABOUT YOUR KENWOOD MICROWAVE OVEN

Your new Kenwood Microwave Oven is an 900 watt model with a 30 litre capacity. It can be used for defrosting, reheating and cooking.

For your safety and that of those around you, please take special care to read the Important Safeguards listed here:

### IMPORTANT SAFEGUARDS

- 1 IMPORTANT SAFETY INSTRUCTIONS. READ CAREFULLY AND KEEP FOR FUTURE REFERENCE.**
- 2 DO NOT** under any circumstances use this appliance for anything other than its intended domestic purpose.
- 3 DO NOT** use this appliance if there is any visible sign of damage to the oven, supply cord or door seal or if it has been accidentally dropped.
- 4 DO NOT** immerse this appliance, the supply cord or the plug in water or any other liquid.
- 5 DO NOT** let the electrical supply cord hang over the edge of a work surface or allow it to touch hot surfaces such as a gas or electric hob.
- 6 WARNING:** The appliance is not intended for use by young children or infirm persons without supervision. Only allow children to use the oven without supervision when adequate instructions have been given so that the child is able to use the oven in a safe way and understands the hazards of improper use.
- 7 WARNING:** Liquids and other foods must not be heated in sealed containers since they are liable to explode. Eggs in their shells and whole hard-boiled eggs should not be heated in a microwave oven since they may explode even after microwave heating has ended.
- 8** To reduce the risk of fire in the oven space you should supervise the oven when in use especially when food is heated or cooked in disposable containers of plastic, paper or other combustible materials.
- 9** If smoke is observed, keep the oven door closed and switch off and disconnect the power supply. Leave well alone until the smoke has ceased.
- 10 DO NOT** operate the oven when it is empty as this could seriously damage the oven.
- 11 DO NOT** use the oven space for any type of storage.
- 12 DO NOT** cook foods such as egg yolks, potatoes, chicken livers etc, without first piercing several times with a fork.
- 13 DO NOT** cook foods directly on the glass tray. Place food in a suitable dish before placing in the oven.
- 14 DO NOT** use metal pans or dishes with metal handles. **DO NOT** use anything with a metal trim, or covered metal twist ties in the oven.  
Before use, check that the utensils are suitable for use in microwave ovens.

## IMPORTANT SAFEGUARDS contd.

- 15 Always test the temperature of cooked food especially if you are heating or cooking foods or liquids for babies. Foods and liquids should be allowed to stand for a few minutes and stirred to distribute heat evenly. Remember to stir with a non-metal utensil to prevent the food or liquid suddenly bubbling over the container.
- 16 There are certain foods such as jam, mincemeat and Christmas pudding, which heat up very quickly, and care should be taken to check the temperature before consuming. When heating or cooking certain foods with a high fat or sugar content do not use plastic containers.
- 17 If using a thermometer ensure it is a model specifically for use in microwave ovens.
- 18 **DO NOT** attempt to deep fry food in the microwave.
- 19 Please remember when microwaving liquids that although the container is not hot the liquid inside is, and will release steam or spit as in conventional cooking. Microwave heating of beverages can result in delayed eruptive boiling, therefore care shall be taken when handling the container.
- 20 **WARNING:** If the door or door seals are damaged, the oven must not be operated until it has been repaired by a competent person.
- 21 **WARNING:** It is hazardous for anyone other than a competent person to carry out any service or repair operation which involves the removal of a cover which gives protection against exposure to microwave energy.

### Before Plugging in

- Before switching on make sure that the voltage of your electricity supply is the same as that indicated on the rating plate.
- This appliance must be earthed.

Note: This appliance complies with European Economic Community Radio Interference Directive 89/336/EEC.

### Radio Interference

Operation of the microwave oven can cause interference to your radio, TV or similar equipment. If interference occurs, it can be reduced by taking the following measures:

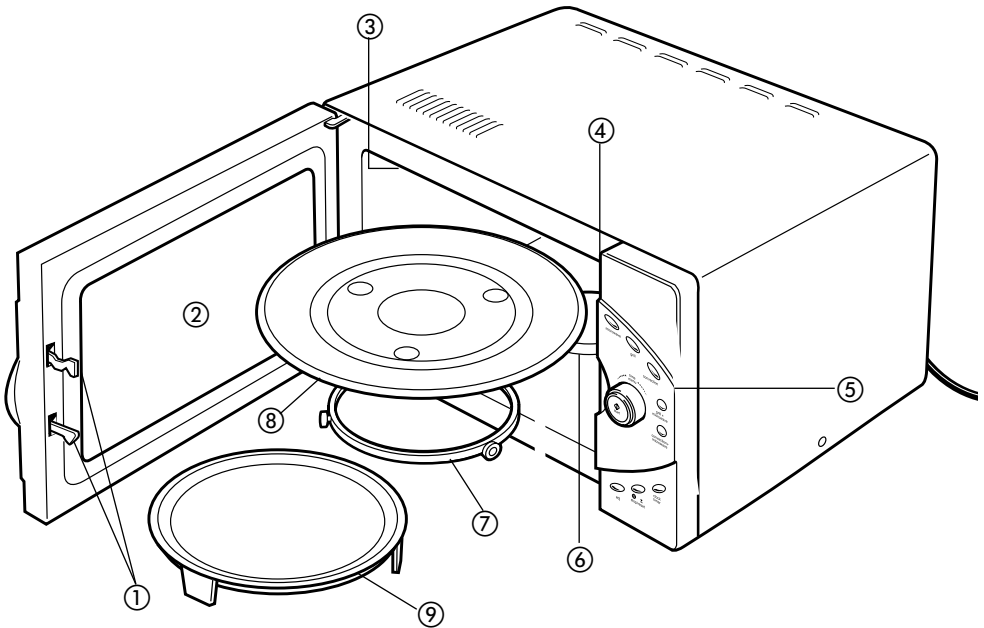
- a) Clean the oven door and seals.
- b) Move the radio or television antenna.
- c) Relocate the oven away from the receiver.

### Before using for the first time

- 1 Remove all labels and any packaging from inside the oven.
- 2 Check the oven for signs of damage, such as misaligned or damaged door, dents in the interior cavity or damaged seals. Do not use the oven if damaged.
- 3 Do not place anything on top of the oven.
- 4 To ensure adequate ventilation keep at least 5cm clear on each side of the oven, 10cm at the back and 20cm above the oven.
- 5 Fit the roller support and glass tray.

## HOW TO USE YOUR MICROWAVE OVEN

If the electric power supply is interrupted at any time, it will be necessary to reset the clock using the instructions on page 6.



- |                           |               |
|---------------------------|---------------|
| ① Door safety lock system | ⑥ Shaft       |
| ② Oven window             | ⑦ Roller ring |
| ③ Heater                  | ⑧ Glass tray  |
| ④ Oven air vent           | ⑨ Pizza dish  |
| ⑤ Control panel           |               |

### **WARNING: Avoiding exposure to excessive microwave energy**

**DO NOT** attempt to operate the oven with the door open as this can result in harmful exposure to microwave energy.

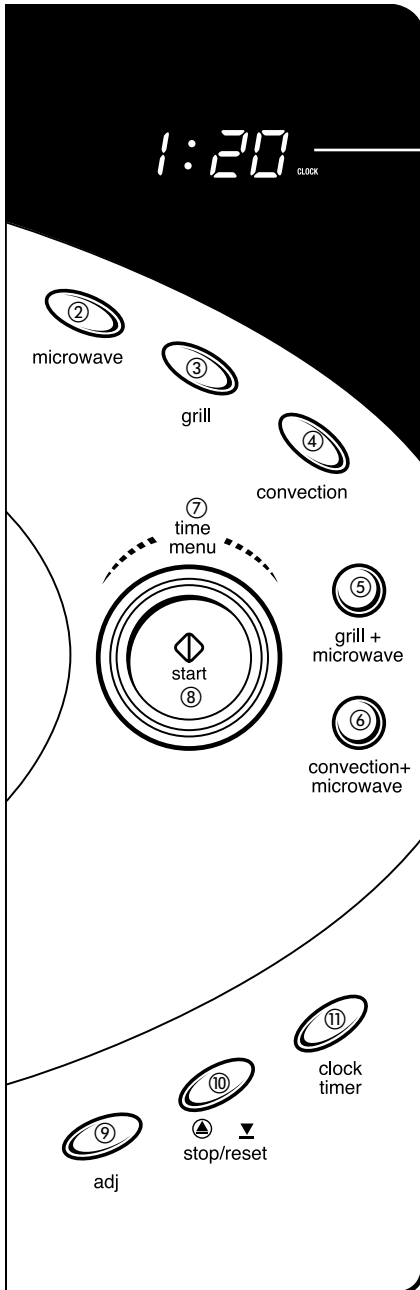
**DO NOT** tamper with the safety interlocks that keep the door closed.

**DO NOT** operate the oven if it is damaged in any way. It is particularly important that the oven door is closed properly and that there is no damage to the:

- i. Door (bent)
- ii. Hinges and Latches (broken or loose)
- iii. Door seals.

The oven should not be adjusted or repaired by anyone other than properly qualified service personnel.

## THE CONTROL PANEL



- ① **Display Screen**  
Cooking time, power and present time are displayed.
- ② **Microwave**  
Press to select microwave power level.
- ③ **Grill**  
Press to access a number of grill cooking timings.
- ④ **Convection**  
Press to program convection temperature.
- ⑤ **Grill + Microwave**  
Press to select different combination cooking settings.
- ⑥ **Convection + Microwave**  
Press to select different combination cooking settings.
- ⑦ **Time Menu (dial)**  
Turn to set cooking time or select auto-menu.
- ⑧ **Start**  
Press to start cooking program or to set quick start cooking program.
- ⑨ **Adj.**  
Press when defrosting or to select Auto Menu weights or cooking time settings.
- ⑩ **Stop/Reset**  
Touch to stop cooking program and clear all previous settings before cooking starts.
- ⑪ **Clock/Timer**  
Press to set the clock or timer.

(Please also see the following pages for more detail).

## SETTING & RESETTING THE CLOCK

- Switch on the supply.

You will see:



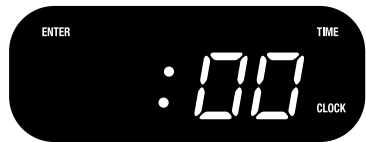
- Press the CLOCK/TIMER button.

A beep will sound. Turn the TIME MENU dial until the correct hour is displayed.



- Press the CLOCK/TIMER button.

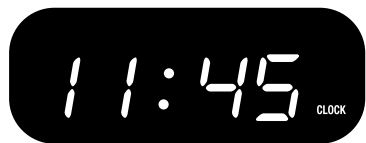
A beep will sound. Turn the TIME MENU dial until the correct minutes are displayed.



- Press the CLOCK/TIMER button to confirm the time set.

- The display should now show the correct time of day.

If not press the CLOCK/TIMER button and try again.



- The two dots will flash every other second.
- The clock can be set up to 12hours (1:00 to 12:59)
- The time of day can be checked during a cooking cycle by pressing the CLOCK/TIMER button. The time will be displayed for 5 seconds.

## SETTING THE COOKING TIME & POWER LEVEL

**IMPORTANT:** Only use heat resistant glass, heat resistant ceramics and microwaveable plastic dishes when microwaving.

- Press the MICROWAVE button.

The display will show P - HI And micro.



- Press the MICROWAVE button to set the power level required. The oven automatically cooks on a high power unless It has been set otherwise.

Example: The MICROWAVE button has been Pressed 3 times to set the power level at 80%.



Press	Power Level
Once	100% High
Twice	90%
3 times	80%
4 times	70% medium high
5 times	60%
6 times	50% medium
7 times	40%
8 times	30% low/defrost
9 times	20%
10 times	10% Low

- Turn the TIME MENU dial to set the required cooking time.  
The start button will light up and flash.



- Press the START button to commence cooking.  
The oven will beep 4 times at the end of the cooking time and END will appear in the display panel.



- If you wish to stop cooking at any point :
  - Press the STOP/RESET button once to temporarily stop the cooking.  
Press start to restart the cooking time.
  - Press the STOP/RESET button twice to cancel the cooking program.
- The power level can be checked during the cooking cycle by pressing the MICROWAVE button. The power level will be displayed for 5 seconds.
- Before starting another cooking session, the program must be cleared by pressing the STOP/RESET button.

## QUICK START

Use this feature to program the oven to microwave food at 100% power.

- Press the START button in quick succession to set the cooking time. The maximum time that can be set is 10minutes.
- The oven will start automatically 2 seconds later.
- The oven will beep 4 times at the end of the cooking time and END will appear in the display panel.

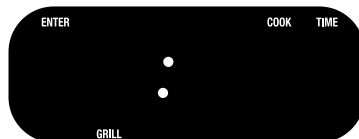


## GRILL

The grill can be used on its own or combined with the microwave oven. Use the grill to cook steaks, chops, kebabs, sausages, burgers etc.

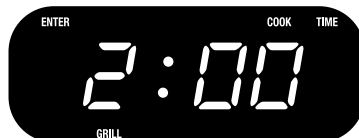
**IMPORTANT:** microwaveable plastic dishes should not be used in the grill mode.

- To use the grill only, first place the food on a suitable dish in the oven.
- Press the GRILL button.



- Turn the TIME MENU dial to select the required grilling time and press START.

Example: 2 minute grilling time selected.



- The maximum grilling time that can be set is 95minutes.
- During grilling the cooking power is set to full power.

## COMBINATION COOKING

The two combined grill and microwave settings can be used to cook and heat food to ensure that the food is cooked and browned. This is done on a time allocation basis, e.g. the oven will cook an item for 70% of the set cooking time and the grill will take over for the remaining 30% until the end of the 100% cooking cycle.

### Example:

**Combination 1** - 30% microwave time + 70% grill time - recommended for fish and au gratin type dishes.

**Combination 2** - 55% microwave time + 45% grill time - recommended for baked potatoes, puddings and poultry.

- Choose which combination to use by pressing the GRILL +MICROWAVE button:-

Press once to select Combination 1  
Press twice to select Combination 2

Example: combination 1 has been selected.



- Turn the TIME MENU dial to select the cooking time and press START to commence cooking.

Example: 5 minutes has been selected



- The maximum cooking time that can be set is 95minutes.
- **IMPORTANT:** microwaveable plastic dishes should not be used in the combination mode.

## CONVECTION

During convection cooking, hot air is circulated in the oven to brown and crisp food quickly and evenly. 10 different cooking temperatures can be programmed for up to 9½ hours.

- **IMPORTANT:** microwaveable plastic dishes should not be used in the convection mode.
- Press the CONVECTION button to select the temperature.



Press	Temperature °C
Once	230
Twice	215
3 times	200
4 times	185
5 times	170
6 times	155
7 times	140
8 times	125
9 times	110
10 times	95

- Turn the TIME MENU dial to set the required cooking time.



- Press the START button to commence cooking. The oven will beep 4 times at the end of the cooking time and END will appear in the display panel.

Example: The CONVECTION button has been pressed 4 times to set the temperature at 185°C



Example: The time has been set for 1 hour 30 minutes



- The temperature can be checked during the cooking cycle by pressing the CONVECTION button.
- Before starting another cooking session, the program must be cleared by pressing the STOP/RESET button.

## CONVECTION PREHEAT

The oven can be programmed to combine preheating with convection cooking.

- Press the CONVECTION button to select the required preheat temperature.
- Press the START button, 30 minutes and “PREH” will appear and flash in the display panel. When the oven reaches the required temperature, the oven will beep and “PREH” will stop flashing in the display panel.
- Open the door and place the food to be cooked in the oven.
- Turn the TIME MENU dial to the required cooking time. Press the START button.



## CONVECTION & MICROWAVE COOKING

The oven has 4 pre-programmed settings which combine convection heat with microwaving.

- **IMPORTANT:** microwaveable plastic dishes should not be used in the combination mode.
- Press the CONVECTION + MICROWAVE button to select the convection temperature.



Combination	Press	Temperature °C
1	Once	230
2	Twice	200
3	3 times	180
4	4 times	150

- Turn the TIME MENU dial to the required cooking time. Press the START button. The oven will beep 4 times at the end of the cooking time and END will appear in the display.



- The maximum cooking time is 9½ hours.
- The temperature can be checked during the cooking cycle by pressing the CONVECTION + MICROWAVE button.
- Before starting another cooking session, the program must be cleared by pressing the STOP/RESET button.

Example: Combination 2 selected (200°C).

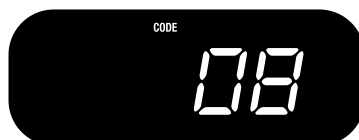


Example: Then a cooking time of 1 hour 30minutes.

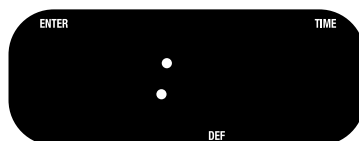


### SPEED DEFROST (ADJ.)

- Turn the TIME MENU dial until “08” and CODE are displayed.



- Press the ADJ. button and DEF will appear in the display.



- Turn the TIME MENU to select the required defrost time.
- Press the START button. The oven will beep 4 times at the end of the defrost time and END will appear in the display.
- Press the RESET button or open the door to clear the program.
- For raw or previously cooked frozen food allow approximately 5minutes per lb.

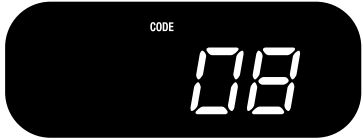
- When defrosting food in plastic non - microwaveable containers , only defrost until the food can be removed from the plastic and placed in a microwave-safe dish.
- Maximum defrosting time is 45minutes.

**PROGRAM COOKING**

The oven can be set to do a three-step program.

It could for example, defrost, then microwave an item and finish off with convection cooking as follows:

Example: Turn the TIME MENU dial until "08" and CODE are displayed.



- Press the ADJ. Button. Then turn the TIME MENU to select the required defrost time.

Example: defrosting time set at 50 seconds.



- Press the MICROWAVE button to set the power level required.
- Turn the TIME MENU to select the required cooking time.

Example: Microwave set to 70% power for 1 minute.



- Press the CONVECTION button to set the convection temperature.



- Turn the TIME MENU to select the required cooking time.

Example: Convection cooking temperature set at 200°C for 50minutes.



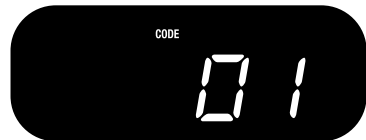
- Press the START Button.
- Note: DEFROST can only be selected before a cooking stage.

### AUTO MENU SETTINGS

The AUTO MENU allows you to cook or reheat food automatically without setting the power level or time.

- Turn the TIME MENU dial until the code number for the required food and CODE are displayed

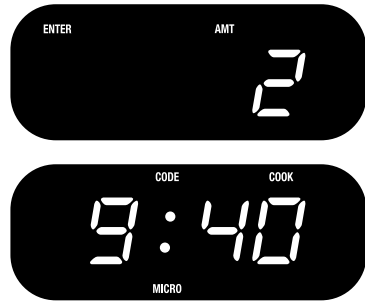
Example: 01 Baked Potato has been selected



Code	Food item
01	Baked Potato 125g - 175g (5 - 7oz)
02	Beverages
03	Popcorn
04	Reheat
05	Pizza
06	Kebabs
07	Cakes

- Press ADJ to select the amount/weight and time required.

Example: 01 Baked Potato, ADJ pressed twice to select cooking time of 9mins 40secs.



- Press the START button.

## 01 BAKED POTATO

Amount	Press ADJ	Cooking time
1	Once	5mins 40secs
2	Twice	9 mins 40secs
3	3 times	13mins
4	4 times	17mins

- Let the food stand for 5 - 10minutes after the cooking program has finished.

## 02 BEVERAGE

Amount	Press ADJ	Cooking time
1	Once	2mins 20secs
2	Twice	4 mins
3	3 times	5mins 40secs
4	4 times	7mins 20secs

- Take care when removing the hot liquid from the microwave. Allow to stand for a few minutes and stir to distribute the heat evenly.

## 03 POPCORN

Amount	Press ADJ	Cooking time
1	Once	2mins 30secs

- To re-set the POPCORN time turn the TIME MENU dial until "03" and CODE are displayed. Press the ADJ button twice. Turn the TIME MENU dial to select the new time. Then press Start.
- The new time will remain until it is reset again.



## 04 REHEAT

Amount	Press ADJ	Cooking time
1	Once	3mins 40secs

## 05 PIZZA

Amount	Press ADJ	Cooking time
Small	Once	1 min 10secs
Large	Twice	3mins 30secs

## 06 KEBABS

Weight	Press ADJ	Cooking time
150g (6 oz)	Once	12 mins
275g (11 oz)	Twice	15mins
525g (1lb 3oz)	3 times	23mins
750g (1lb 12oz)	4 times	30mins

- A beep will sound halfway through cooking to remind you to turn the kebabs.

## 07 CAKE

Amount	Press ADJ	Cooking time
1	Once	40mins

- To re-set the CAKE time turn the TIME MENU dial until “07” and CODE are displayed. Press the ADJ button twice. Turn the TIME MENU dial to select the new time. The press Start.
- The new time will remain until it is reset again.

## TIMER

The oven can be used as a stand-alone timer.

- To set the timer hold the CLOCK/TIMER button down for 3 seconds.
- Turn the TIME MENU dial to the required cooking time.
- Press the START button. A long beep will sound at the end of the countdown time.

Example: 1 minute countdown selected.



- The maximum time that can be set is 95 minutes.
- Touch the CLOCK/TIMER button and then the RESET button to cancel the timer.
- To see the countdown time hold the CLOCK/TIMER button down for 3 seconds.

## CHILD-PROOF LOCK

This safety feature will ensure that the oven cannot be opened unsupervised by young children. The oven will not operate when the child-proof lock is set although the door can still be opened.

- To set the lock, hold the RESET button down for 3 seconds. A beep will sound and "lock" will appear in the display.



- To cancel the lock, hold the RESET button down for 3 seconds.

## CLEAR

- Press the STOP button or open the door. You can restart the oven by pressing the START button.
- Press the RESET button to delete the program.

## CARE & CLEANING

- 1 Turn the oven off and remove the plug from the socket before cleaning.
- 2 Keep the inside of the oven clean by wiping with a damp cloth. If the oven is heavily soiled a mild detergent solution may be used. Do not use harsh or aggressive detergents as this damages the oven. Do not use a knife or any other form of scraper to remove food residues from this oven.
- 3 The outside of the oven can be cleaned with a warm damp cloth.
- 4 Keep the control panel free from too much moisture. Clean it with a soft damp cloth only and do not use detergents or abrasives.
- 5 If condensation accumulates inside or around the outside of the oven door, wipe it clean with a damp cloth. Condensation is quite normal and forms when moisture is present during cooking.
- 6 Ensure the door seals and adjacent parts are kept clean by wiping with a damp cloth. If the door seal is damaged in any way the oven must not be used until it has been repaired by a Kenwood Authorised Repairer.
- 7 It is occasionally necessary to remove the glass tray for cleaning. Wash the tray in warm soapy water, then rinse and dry thoroughly.
- 8 The roller ring and bottom surface of the oven should be cleaned regularly to avoid excessive noise. Simply wipe the bottom surface of the oven using a mild detergent and dry thoroughly with a soft cloth. The roller ring may be washed in mild soapy water, rinsed and dried thoroughly. Be sure to replace the roller ring in the correct position.
- 9 Remove odours from your oven by combining a cup of water with the juice and rind of a lemon in a deep microwaveable bowl. Microwave for 5 minutes and then wipe the inside of the oven with a dry cloth.
- 10 Inspect the oven regularly for signs of corrosion – particularly around the door. If you find any signs of corrosion, arrange for the appliance to be serviced.

## SERVICE

If the oven or supply cord are damaged in any way, or it is necessary to replace the oven light, or repair the oven, the work must, for safety reasons, be carried out by Kenwood or a Kenwood Authorised Repairer.

*Before you call for assistance please check the following:*

- 1** If the oven will not work at all and the display does not appear, or disappears - check that the oven is plugged in and switched on. If it is, switch it off and check that the fuse in the plug is OK. If necessary try the appliance in a different socket.
- 2** If the microwave will not function, check to see that the timer is set. Also check that the door is properly shut so that the safety interlocks are fully engaged. If they are not, the oven will not work.
- 3** Check to see that the child-proof lock is not on the display. If it is, switch it off.

*If none of the above actions rectify the situation, contact:*

The shop where you bought the microwave - they will advise you.

## SPECIFICATION

Power Consumption: .....230v – 50Hz, 1400W

Output: .....900W

Outside Dimensions: .....305mm (H) x 525mm (W) x 455mm (D)

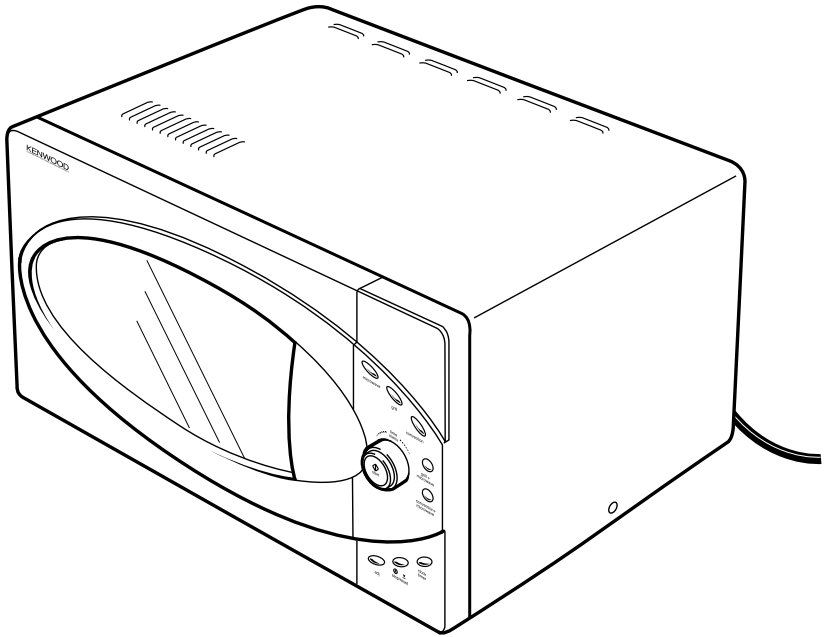
Oven Cavity Dimensions: ...219mm (H) x 350mm (W) x 384mm (D)

Oven Capacity: .....30 Litres

Cooking Uniformity: .....Turntable (314mm)

Net Weight: .....Approx.22kg

# KENWOOD



## MW761E

Veuillez lire attentivement ces instructions avant d'utiliser votre four + gril à micro-ondes.

## À PROPOS DE VOTRE FOUR À MICRO-ONDES KENWOOD

Votre nouveau four à micro-ondes Kenwood est un modèle de 800 watts et d'une capacité de 23 litres. Il peut être utilisé pour décongeler, réchauffer ou cuire.

Pour votre sécurité et celle des personnes qui vous entourent, veuillez lire très attentivement les Recommandations Importantes pour la Sécurité regroupées ci-dessous :

### RECOMMANDATIONS IMPORTANTES POUR LA SÉCURITÉ

- 1 INSTRUCTIONS DE SÉCURITÉ IMPORTANTES. LISEZ ATTENTIVEMENT ET CONSERVEZ-LES POUR VOUS Y REPORTER PAR LA SUITE.**
- 2 NE PAS**, en aucune circonstance, utiliser cet appareil à toute autre fin que l'usage domestique auquel il est destiné.
- 3 NE PAS** utiliser cet appareil si le cordon d'alimentation ou le joint d'étanchéité de la porte sont visiblement endommagés ou en cas de chute accidentelle de l'appareil.
- 4 NE PAS** plonger cet appareil, le cordon d'alimentation ou la prise dans l'eau ou dans tout autre liquide.
- 5 NE PAS** laisser le cordon d'alimentation électrique pendre d'un plan de travail ou au contact de surfaces chaudes telles qu'une plaque de cuisson au gaz ou électrique.
- 6 AVERTISSEMENT** : Cet appareil n'est pas prévu pour être utilisé par de jeunes enfants ou des personnes infirmes sans surveillance. Laissez des enfants utiliser le four sans surveillance uniquement s'ils ont reçu des instructions appropriées afin de pouvoir utiliser le four de façon sûre et de comprendre les dangers d'une mauvaise utilisation.
- 7** Certains produits, tels que les œufs dans leur coquille ou les conteneurs étanches, peuvent exploser et ne doivent pas être chauffés dans un four à micro-ondes. Ne pas cuire dans des conteneurs aux ouvertures restreintes, tels que les bouteilles et les bocaux de petite taille, en raison du risque d'explosion dans le four.
- 8** Afin de réduire le risque d'incendie dans l'espace de cuisson, le four doit être surveillé durant son fonctionnement, notamment lorsque les aliments sont réchauffés ou cuits dans des conditionnements jetables en plastique, papier ou autre matière combustible.
- 9** En cas d'apparition de fumée, maintenir la porte du four fermée, éteindre l'appareil et débrancher le cordon d'alimentation. Ne pas s'approcher de l'appareil avant la disparition de toute fumée.
- 10 NE PAS** faire fonctionner le four lorsqu'il est vide, car il pourrait être gravement endommagé.
- 11 NE PAS** utiliser l'espace intérieur du four à toute fin de rangement.
- 12 NE PAS** cuire les aliments tels que les jaunes d'œufs, les pommes de terre, les foies de poulet, etc., sans les percer auparavant plusieurs fois à l'aide d'une fourchette.
- 13 NE PAS** cuire les aliments directement sur le plateau en verre. Déposer les aliments dans un plat approprié avant de les mettre au four.

## RECOMMANDATIONS IMPORTANTES POUR LA SÉCURITÉ (suite)

- 14 **NE PAS** utiliser de plats métalliques ou disposant de poignées en métal. **NE PAS** introduire dans le four tout ustensile présentant un revêtement métallique ou tout lien de fermeture métalloplastique.  
Avant utilisation, contrôler que les ustensiles sont adaptés aux fours à micro-ondes.
- 15 Testez toujours la température des aliments cuits, notamment si vous faites chauffer ou cuire des aliments ou liquides destinés aux bébés. Il convient de laisser les aliments et liquides reposer pendant quelques minutes et de les mélanger afin de répartir la chaleur également. Veillez à mélanger à l'aide d'un ustensile non métallique afin d'éviter que les aliments ou liquides bouillants ne débordent soudainement du récipient.
- 16 Certains aliments, tels que la confiture, la garniture de tartelette et le pudding, chauffent très rapidement et il convient de vérifier leur température avant de les consommer. N'utilisez pas de récipients en plastique pour faire chauffer ou cuire certains aliments présentant un taux élevé de matières grasses ou de sucre.
- 17 En cas d'utilisation d'un thermomètre, assurez-vous qu'il s'agit d'un modèle spécifiquement conçu pour les fours à micro-ondes.
- 18 **N'ESSAYEZ PAS** de réaliser une friture dans votre four à micro-ondes.
- 19 Lorsque vous faites chauffer des liquides au four à micro-ondes, bien que le récipient ne soit pas chaud, souvenez-vous que le liquide à l'intérieur l'est et qu'il produira de la vapeur ou des projections, tout comme en cas de cuisson conventionnelle. Le réchauffage de boissons au four à micro-ondes peut être suivi d'une ébullition éruptive à retardement. Par conséquent il convient de prendre des précautions lors de la manipulation du récipient.
- 20 **AVERTISSEMENT** : Si la porte ou les joints de la porte sont endommagés, le four ne doit pas être utilisé avant d'avoir été réparé par une personne compétente.
- 21 **AVERTISSEMENT** : Il est dangereux pour toute personne autre qu'une personne compétente d'effectuer une opération d'entretien ou de réparation qui impliquerait le retrait d'un couvercle qui protège contre une exposition à l'énergie micro-onde.



### **Avant de brancher l'appareil**

- Avant de mettre l'appareil en marche, assurez-vous que la tension électrique que vous utilisez est la même que celle indiquée dans les caractéristiques techniques.
- Cet appareil doit être branché à une prise de terre.

Remarque : Cet appareil est conforme à la directive 89/336 de la C.E. relative aux interférences radio.

### **Interférences radio**

L'utilisation de votre four à micro-ondes peut provoquer des interférences sur votre radio, télévision ou équipement similaire. Il est possible de réduire les interférences éventuelles en prenant les mesures suivantes :

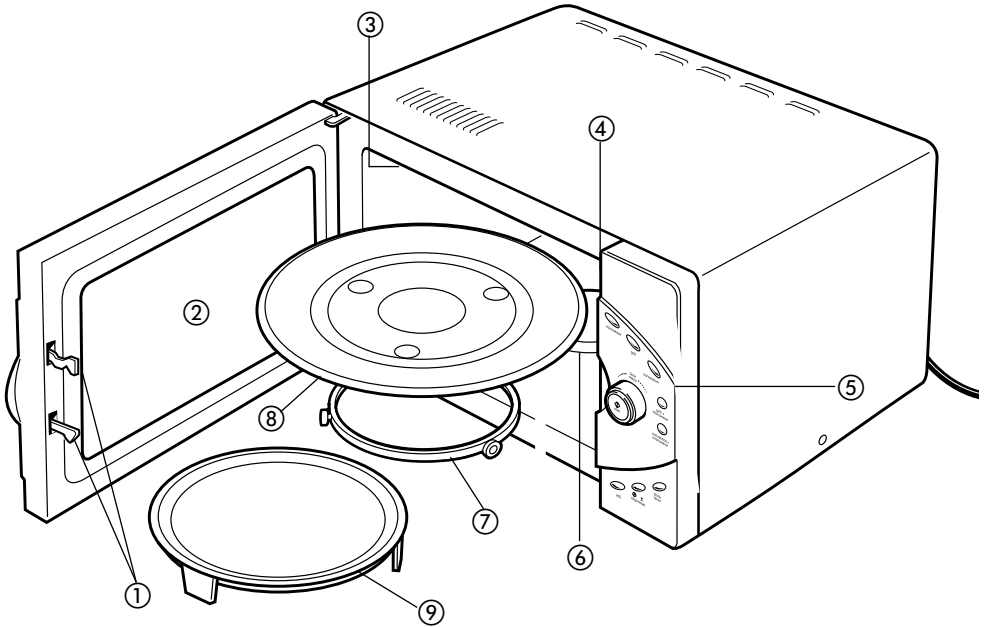
- a) Nettoyez la porte du four et ses joints.
- b) Bougez l'antenne de la radio ou de la télévision.
- c) Déplacez le four loin du récepteur.

### **Avant d'utiliser votre appareil pour la première fois**

- 1 Retirez toutes les étiquettes et tout emballage de l'intérieur du four.
- 2 Vérifiez que le four n'est pas endommagé, par exemple que la porte est bien alignée ou qu'elle n'est pas endommagée, qu'elle ne comporte pas de bosselures dans la cavité intérieure ou de joints endommagés. N'utilisez pas le four s'il est endommagé.
- 3 Ne placez rien sur le dessus du four.
- 4 Afin de permettre une bonne ventilation, assurez-vous qu'il y a au moins 5 cm de chaque côté du four, 10 cm à l'arrière et 20 cm au-dessus du four.
- 5 Fixez le support à roulettes et le plateau en verre.

## COMMENT UTILISER VOTRE FOUR À MICRO-ONDES

Si l'alimentation électrique est interrompue à tout moment, il sera de nouveau nécessaire de régler l'horloge à l'aide des instructions fournies page 28.



- |                                       |                     |
|---------------------------------------|---------------------|
| ① Système de verrouillage de la porte | ⑥ Coupleur          |
| ② Vitre du four                       | ⑦ Anneau de guidage |
| ③ Chauffage                           | ⑧ Plateau en verre  |
| ④ Orifice de ventilation du four      | ⑨ Plat à pizza      |
| ⑤ Panneau de contrôle                 |                     |

### MISE EN GARDE : Éviter une exposition excessive à l'énergie des micro-ondes

**NE PAS** tenter de faire fonctionner le four avec la porte ouverte, en raison du risque d'exposition nocive à l'énergie des micro-ondes.

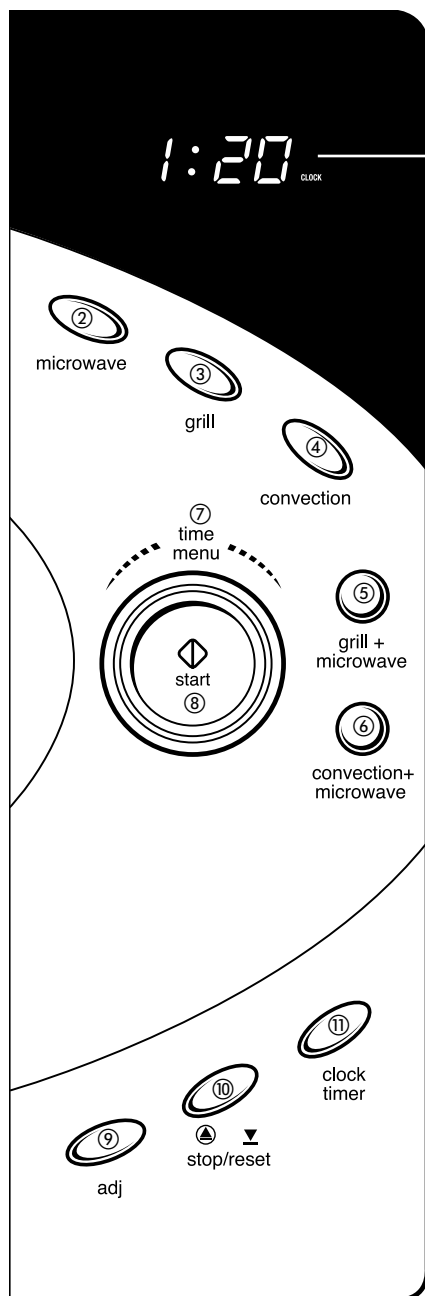
**NE PAS** altérer le bon fonctionnement du verrouillage de sécurité maintenant la porte fermée.

**NE PAS** faire fonctionner le four en cas d'endommagement quelconque. Il est particulièrement important que la porte du four soit correctement fermée et que les éléments suivants ne présentent aucune détérioration :

- Porte (tordue)
- Charnières et verrous (cassés ou desserrés)
- Joints d'étanchéité de la porte.

Le four doit uniquement être réglé ou réparé par des techniciens dûment qualifiés.

## THE CONTROL PANEL



- ① **Ecran d'affichage**  
Affichage du temps de cuisson, de la puissance et de l'heure.
- ② **Micro-ondes**  
Appuyez pour sélectionner le niveau de puissance micro-ondes.
- ③ **Gril**  
Appuyez pour avoir accès à une quantité de temps de cuisson au gril.
- ④ **Convection**  
Appuyez pour programmer la température de convection.
- ⑤ **Gril + micro-ondes**  
Appuyez pour sélectionner différents réglages de cuisson combinée.
- ⑥ **Convection + micro-ondes**  
Appuyez pour sélectionner différents réglages de cuisson combinée.
- ⑦ **Menu programmation (cadran)**  
Tournez pour régler le temps de cuisson ou sélectionner le menu auto.
- ⑧ **Démarrage**  
Appuyez pour commencer le programme de cuisson ou pour le démarrage rapide d'un programme de cuisson.
- ⑨ **Adj.**  
Appuyez lors de la décongélation ou pour sélectionner les réglages du poids ou du temps de cuisson dans le menu auto.
- ⑩ **Arrêt/annulation**  
Touchez pour arrêter le programme de cuisson et effacer tous les réglages précédents avant que la cuisson ne commence.
- ⑪ **Horloge/minuterie**  
Appuyez pour régler l'horloge ou la minuterie.

(Veuillez également vous reporter aux pages suivantes pour plus de détails).

## PREMIER RÉGLAGE OU NOUVEAU RÉGLAGE DE L'HORLOGE

- Branchez l'alimentation

(Vous verrez :



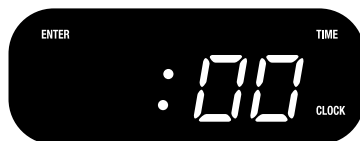
- Appuyez sur le bouton HORLOGE/MINUTERIE :

Un signal sonore va retentir. Tournez le cadran MENU PROGRAMMATION jusqu'à ce que l'heure correcte s'affiche.



- Appuyez sur le bouton HORLOGE/MINUTERIE :

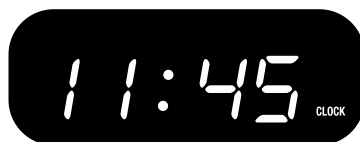
Un signal sonore va retentir. Tournez le cadran MENU PROGRAMMATION jusqu'à ce que les minutes correctes s'affichent.



- Appuyez sur le bouton HORLOGE/MINUTERIE pour confirmer le réglage de l'heure.

- L'heure correcte actuelle devrait alors être affichée.

Si ce n'est pas le cas, appuyez sur le bouton HORLOGE/MINUTERIE et essayez à nouveau.



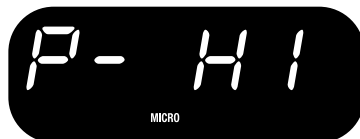
- les deux points clignoteront une seconde sur deux.
- L'horloge peut être réglée jusqu'à 12 heures (1 :00 à 12 :59).
- Il est possible de vérifier l'heure actuelle pendant un cycle de cuisson en appuyant sur le bouton HORLOGE/MINUTERIE. L'heure s'affichera alors pendant 5 secondes.

## RÉGLAGE DU TEMPS DE CUISSON ET DU NIVEAU DE LA PUISSANCE

**IMPORTANT :** Utilisez uniquement des plats en verre ou en céramique qui résiste à la chaleur et en plastique qui peut être utilisé dans un four à micro-ondes lors de l'utilisation de la fonction micro-ondes.

- Appuyez sur le bouton MICRO-ONDES.

Les mentions P-HI et micro seront affichées.



- Appuyez sur le bouton MICRO-ONDES pour régler le niveau de puissance requis. Le four cuit par défaut à une puissance élevée à moins qu'il ait été réglé différemment.

Exemple : Vous avez appuyé 3 fois sur le bouton MICRO-ONDES pour régler le niveau de puissance sur 80%.



Appuyez	Puissance
1 fois	Elevée 100%
2 fois	90%
3 fois	80%
4 fois	Moyenne élevée 70%
5 fois	60%
6 fois	Moyenne 50%
7 fois	40%
8 fois	Faible/décongélation 30%
9 fois	20%
10 fois	Faible 10%

- Tournez le cadran MENU DE PROGRAMMATION pour régler le temps de cuisson requis. Le bouton démarrage s'allumera et clignotera.



- Appuyer sur le bouton DEMARRAGE pour commencer la cuisson. Le four émettra 4 signaux sonores à la fin du temps de cuisson et la mention END (FIN) apparaîtra sur le panneau d'affichage.



- Si vous souhaitez interrompre la cuisson à tout moment :
  - Appuyez sur le bouton ARRÊT/ANNULATION une fois pour interrompre temporairement la cuisson. Appuyez sur Démarrage pour redémarrer le temps de cuisson.
  - Appuyez sur le bouton ARRÊT/ANNULATION deux fois pour annuler le programme de cuisson.
- Il est possible de vérifier le niveau de puissance lors du cycle de cuisson en appuyant sur le bouton MICRO-ONDES. Le niveau de puissance s'affichera pendant 5 secondes.
- Avant de commencer une autre session de cuisson, il faut effacer le programme en appuyant sur le bouton ARRÊT/ANNULATION.

### DÉMARRAGE RAPIDE

Utilisez cette commande pour programmer le four sur micro-ondes à une puissance de 100%.

- Appuyez sur le bouton DÉMARRAGE coup sur coup pour régler le temps de cuisson. Le temps maximal de cuisson peut être réglé sur 10 minutes.
- Le four démarrera automatiquement 2 secondes plus tard.
- Le four émettra 4 signaux sonores à la fin du temps de cuisson et la mention END (FIN) apparaîtra sur le panneau d'affichage.

## GRIL

Il est possible d'utiliser le grill seul ou combiné avec le four micro-ondes. Utilisez le grill pour cuire des steaks, des côtelettes, des brochettes, des saucisses, des steaks hachés, etc.

**IMPORTANT :** Les plats en plastique adaptés aux fours à micro-ondes ne doivent pas être utilisés en mode grill.

- Pour utiliser le grill seulement, commencez par placer les éléments dans un plat adapté dans le four.
- Appuyez sur le bouton GRILL.



- Tournez le cadran MENU PROGRAMMATION pour sélectionner le temps requis pour griller puis appuyez sur DÉMARRAGE.

Exemple : Sélection de 2 minutes à griller.



- Le temps maximal à griller peut être de 95 minutes.
- Lors du fonctionnement en mode grill, la puissance de cuisson est réglée sur la puissance maximale.

## CUISSON COMBINÉE

Il est possible d'utiliser les deux réglages, grill et micro-ondes, combinés pour cuire et réchauffer des aliments pour s'assurer que les aliments sont cuits et dorés. Cela se règle sur la base de répartition du temps, par exemple le four cuira un aliment pendant 70% du temps de cuisson réglé et le grill prendra le relais pendant les 30% restants jusqu'à la fin du cycle de cuisson à 100%.

**Exemple :**

**Combinaison 1** - 30% de temps de micro-ondes + 70% de temps de grill – recommandée pour le poisson et les plats de type gratin.

**Combinaison 2** - 55% de temps de micro-ondes + 45% de temps de grill – recommandée pour les pommes de terre au four, les desserts et la volaille.

- Choisissez la combinaison à utiliser en appuyant sur le bouton GRIL + MICRO-ONDES :

Appuyez une fois pour sélectionner la combinaison 1  
Appuyez deux fois pour sélectionner la combinaison 2

Exemple : La combinaison 1 a été sélectionnée.



- Tournez le cadran MENU PROGRAMMATION pour sélectionner le temps de cuisson et appuyez sur DÉMARRAGE pour commencer la cuisson.

Exemple : 5 minutes ont été sélectionnées.



- Le temps de cuisson maximal qui puisse être réglé est 95 minutes.
- **IMPORTANT** : Les plats en plastique adaptés aux fours à micro-ondes ne doivent pas être utilisés en mode cuisson combinée.

## CONVECTION

Lors d'une cuisson en mode convection, l'air chaud circule dans le four pour dorer et rendre croustillant les aliments rapidement et uniformément. Il est possible de programmer 10 températures de cuisson différentes pendant 9 heures ½ maximum.

- **IMPORTANT** : Les plats en plastique adaptés aux fours à micro-ondes ne doivent pas être utilisés en mode convection.
- Appuyez sur le bouton CONVECTION pour sélectionner la température.





Appuyez	Température en °C
1 fois	230
2 fois	215
3 fois	200
4 fois	185
5 fois	170
6 fois	155
7 fois	140
8 fois	125
9 fois	110
10 fois	95

- Tournez le cadran MENU PROGRAMMATION pour régler le temps de cuisson requis.



- Appuyez sur le bouton DÉMARRAGE pour commencer la cuisson. Le fort émettra 4 signaux sonores à la fin du temps de cuisson et la mention END (FIN) apparaîtra sur le panneau d'affichage.

Exemple : vous avez appuyez 4 fois sur le bouton CONVECTION pour régler la température sur 185°C.



Exemple : le temps de cuisson a été réglé sur 1 heure 30 minutes.



- Il est possible de vérifier la température au cours du cycle de cuisson en appuyant sur le bouton CONVECTION.
- Avant de commencer une autre session de cuisson, il est nécessaire d'effacer le programme en appuyant sur le bouton ARRÊT/ANNULATION.

## PRÉCHAUFFAGE DU MODE CONVECTION

Il est possible de programmer le four pour combiner le préchauffage avec la cuisson en mode convection.

- Appuyez sur le bouton CONVECTION pour sélectionner la température requise de préchauffage.
- Appuyez sur le bouton DÉMARRAGE, les mentions 30 minutes et « PREH » (PRECH) apparaîtront et clignoteront dans le panneau d'affichage. Lorsque le four aura atteint la température requise, le four émettra un signal sonore et la mention « PREH » arrêtera de clignoter sur le panneau d'affichage.



- Ouvrez la porte et placez les aliments à cuire dans le four.
- Tournez le cadran MENU PROGRAMMATION pour régler le temps de cuisson requis. Appuyez sur le bouton DÉMARRAGE.

## CUISSON EN MODES CONVECTION & MICRO-ONDES

Le four possède 4 réglages préprogrammés qui combinent la chaleur à convection et les micro-ondes.

- **IMPORTANT** : Les plats en plastique adaptés aux fours à micro-ondes ne doivent pas être utilisés en mode combiné.
- Appuyez sur le bouton CONVECTION + MICRO-ONDES pour sélectionner la température du mode convection.



Mode combiné	Appuyez	Température en °C
1	1 fois	230
2	2 fois	200
3	3 fois	180
4	4 fois	150

- Tournez le cadran MENU PROGRAMMATION jusqu'au temps de cuisson requis. Appuyez sur le bouton DÉMARRAGE. Le four émettra 4 signaux sonores à la fin du temps de cuisson et la mention END (FIN) apparaîtra sur l'écran.



- Le temps maximal de cuisson est de 9 heures  $\frac{1}{2}$ .
- Il est possible de vérifier la température au cours du cycle de cuisson en appuyant sur le bouton CONVECTION + MICRO-ONDES.
- Avant de commencer une nouvelle session de cuisson, il est nécessaire d'effacer le programme en appuyant sur le bouton ARRÊT/ANNULATION.

Exemple : Le mode combiné 2 (200 °C) a été sélectionné.

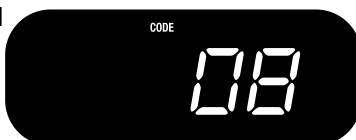


Exemple : Puis un temps de cuisson de 1 heure et 30 minutes.

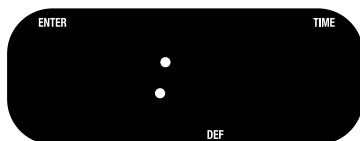


## DÉCONGÉLATION RAPIDE (ADJ.)

- Tournez le cadran MENU PROGRAMMATION jusqu'à ce que s'affichent les mentions « 08 » et CODE.



- Appuyez sur le bouton ADJ. et la mention DEF apparaîtra à l'écran.



- Tournez le cadran MENU PROGRAMMATION pour sélectionner le temps requis de décongélation.
- Appuyez sur le bouton DÉMARRAGE. Le four va émettre 4 signaux sonores à la fin du temps de décongélation et la mention END (FIN) va apparaître sur l'écran.
- Appuyez sur le bouton ANNULATION ou ouvrez la porte pour effacer le programme.

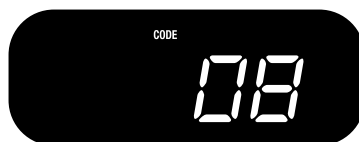
- Pour des aliments surgelés crus ou préalablement cuits, programmez environ 5 minutes par livre.
- Lorsque les aliments à décongeler se trouvent dans un récipient en plastique non adapté aux fours à micro-ondes, commencez à les décongeler uniquement lorsqu'ils peuvent être retirés du récipient en plastique et placés dans un plat adapté aux fours à micro-ondes.
- Le temps maximum de décongélation est 45 minutes.

## PROGRAMMES DE CUISSON

Le four peut être réglé pour effectuer un programme en trois étapes.

Il peut par exemple décongeler, puis cuire en mode micro-ondes un aliment et terminer sa cuisson en mode convection de la façon suivante :

Exemple : Tournez le cadran MENU PROGRAMMATION jusqu'à affichage des mentions « 08 » et CODE.



- Appuyez sur le bouton ADJ. puis tournez le cadran MENU PROGRAMMATION pour sélectionner le temps requis de décongélation.

Exemple : Le temps de décongélation est réglé sur 50 secondes.



- Appuyez sur le bouton MICRO-ONDES pour régler le niveau de puissance requis.
- Tournez le cadran MENU PROGRAMMATION pour sélectionner le temps de cuisson requis.

Exemple : Le mode micro-ondes est réglé sur une puissance de 70% pendant 1 minute.



- Appuyez sur le bouton CONVECTION pour régler la température du mode convection.



- Tournez le cadran MENU PROGRAMMATION pour sélectionner le temps de cuisson requis.

Exemple : La température de cuisson en mode convection est réglée sur 200 °C pendant 50 minutes.



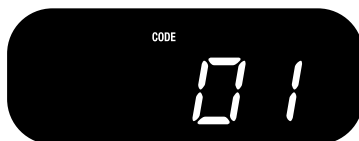
- Appuyez sur le bouton DÉMARRAGE.
- Remarque : Le mode DEFROST (DÉCONGELATION) peut être sélectionné uniquement avant une phase de cuisson.

### RÉGLAGES DE MENU AUTOMATIQUE

Le MENU AUTO vous permet de cuire ou de réchauffer des aliments automatiquement sans régler le niveau de puissance ou le temps de cuisson.

- Tournez le cadran du MENU PROGRAMMATION jusqu'à ce que s'affichent le numéro de code requis pour cet aliment et la mention CODE.

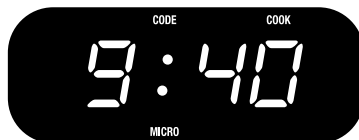
Exemple : 01 Pomme de terre au four a été sélectionné.



Code	Aliment
01	Pomme de terre au four 125 g – 175 g
02	Boissons
03	Pop-corn
04	Réchauffage
05	Pizza
06	Brochettes
07	Gâteaux

- Appuyez sur ADJ pour sélectionner la quantité/le poids et le temps requis.

Exemple : 01 Pomme de terre au four, appuyez deux fois sur ADJ pour sélectionner un temps de cuisson de 9 minutes et 40 secondes.



- Appuyez sur le bouton DÉMARRAGE.

## 01 POMME DE TERRE AU FOUR

Quantité	Appuyez sur ADJ	Temps de cuisson
1	1 fois	5 mn 40 s.
2	2 fois	9 mn 40 s.
3	3 fois	13 mn
4	4 fois	17 mn

- Laissez les aliments reposer pendant 5 à 10 minutes après la fin du programme de cuisson.

## 02 BOISSONS

Quantité	Appuyez sur ADJ	Temps de cuisson
1	1 fois	2 mn 20 s.
2	2 fois	4 mn
3	3 fois	5 mn 40 s.
4	4 fois	7 mn 20 s.

- Faites attention lorsque vous enlevez des liquides chauds du four à micro-ondes. Laissez reposer pendant quelques minutes et remuez pour distribuer la chaleur uniformément.

### 03 POP-CORN

Quantité	Appuyez sur ADJ	Temps de cuisson
1	1 fois	2 mn 30 s.

- Pour régler à nouveau le temps de cuisson en mode POP-CORN, tournez le cadran MENU PROGRAMMATION jusqu'à ce qu'apparaissent les mentions « 03 » et CODE. Appuyez deux fois sur le bouton ADJ. Tournez le cadran MENU PROGRAMMATION pour sélectionner le nouveau temps de cuisson, puis appuyez sur DÉMARRAGE.
- Le nouveau temps de cuisson restera le même jusqu'à ce qu'il soit à nouveau annulé.

### 04 RÉCHAUFFAGE

Quantité	Appuyez sur ADJ	Temps de cuisson
1	1 fois	3 mn 40 s.

### 05 PIZZA

Quantité	Appuyez sur ADJ	Temps de cuisson
Petite	1 fois	1 mn 10 s.
Grande	2 fois	3 mn 30 s.

### 06 BROCHETTES

Quantité	Appuyez sur ADJ	Temps de cuisson
150 g	1 fois	12 mn
275 g	2 fois	15 mn
525 g	3 fois	23 mn
750 g	4 fois	30 mn

- Un signal sonore retentira à la moitié de la cuisson pour vous rappeler de tourner les brochettes.

### 07 GÂTEAU

Quantité	Appuyez sur ADJ	Temps de cuisson
1	1 fois	40 mn

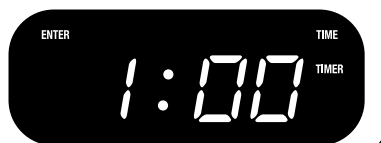
- Pour régler à nouveau le temps de cuisson en mode GÂTEAU, tournez le cadran MENU PROGRAMMATION jusqu'à ce qu'apparaissent les mentions « 07 » et CODE. Appuyez deux fois sur le bouton ADJ. Tournez le cadran MENU PROGRAMMATION pour sélectionner le nouveau temps de cuisson, puis appuyez sur DÉMARRAGE.
- Le nouveau temps de cuisson restera le même jusqu'à ce qu'il soit à nouveau annulé.

## MINUTERIE

Le four peut être utilisé comme minuterie seule.

- Pour régler la minuterie, appuyez sur le bouton HORLOGE/MINUTERIE et maintenez-le enfoncé pendant 3 secondes.
- Tournez le cadran MENU PROGRAMMATION jusqu'au temps de cuisson requis.
- Appuyez sur le bouton DÉMARRAGE. Un long signal sonore retentira à la fin du décompte de temps.

Exemple : 1 minute de décompte a été sélectionnée.



- Le temps maximum pouvant être sélectionné est 95 minutes.
- Touchez le bouton HORLOGE/MINUTERIE, puis le bouton ANNULATION pour annuler la minuterie.
- Pour voir le temps décompté, maintenez le bouton HORLOGE/MINUTERIE enfoncé pendant 3 secondes.

## VERROUILLAGE DE SÉCURITÉ POUR LES ENFANTS

Cette caractéristique de sécurité vous garantira que le four ne peut pas être ouvert par de jeunes enfants sans surveillance. Le four ne peut pas fonctionner lorsque le verrouillage de sécurité enfant est en place même si la porte peut toujours être ouverte.

- Pour mettre le verrouillage en place, maintenez le bouton ANNULATION enfoncé pendant 3 secondes. Un signal sonore va retentir et la mention « lock » (verrouillage) va apparaître à l'écran.
- Pour annuler le verrouillage, maintenez le bouton ANNULATION enfoncé pendant 3 secondes.



## EFFACER

- Appuyez sur le bouton ARRÊT ou ouvrez la porte. Vous pouvez redémarrer le four en appuyant sur le bouton DÉMARRAGE.
- Appuyez sur le bouton ANNULATION pour effacer le programme.



## CURA & PULIZIA

- 1** Prima di pulire il forno, spegnerlo e staccare la spina dalla presa di corrente.
- 2** Tenere pulito l'interno del forno passandolo con un panno umido. Se il forno è molto sporco, è possibile usare una soluzione di detersivo delicato. Non usare detersivi molto forti o aggressivi, altrimenti essi danneggeranno l'apparecchio. Non servirsi di un coltello o di altro utensile per raschiare per asportare i residui di cibo dal forno.
- 3** L'esterno del forno può essere pulito passandolo con un panno inumidito con acqua calda.
- 4** Non lasciare che sul pannello di controllo vada a raccogliersi eccessiva umidità. Pulirlo esclusivamente con un panno morbido inumidito e non usare detersivi o abrasivi.
- 5** Se la condensa va a raccogliersi all'interno o attorno all'esterno dello sportello del forno, ripulirla con un panno umido. La condensa è un fenomeno normale e si forma in presenza di umidità durante la cottura.
- 6** Controllare che le tenute dello sportello e i componenti adiacenti vengano tenuti puliti, passandoli con un panno umido. Se la tenuta dello sportello presenta qualsiasi segno di danno, non usare il forno fino a quando non lo si è fatto riparare da un Tecnico autorizzato Kenwood.
- 7** Di tanto in tanto potrebbe essere necessario togliere il vassoio di vetro dal forno per pulirlo. Lavare il vassoio in acqua calda saponata, quindi sciacquarlo e asciugarlo a fondo.
- 8** L'anello e la base dell'interno del forno vanno puliti regolarmente, per evitare che l'apparecchio diventi troppo rumoroso. È sufficiente pulire la base del forno con un detersivo delicato e poi asciugare bene usando un panno morbido. L'anello può essere lavato in acqua e sapone delicato, poi sciacquarlo e asciugarlo a fondo. Controllare di rimettere l'anello nella posizione corretta.
- 9** Per eliminare i cattivi odori dal forno, versare in una scodella fonda e idonea per la cottura a microonde una tazza d'acqua e il succo e la scorza di un limone. Cuocere a microonde per 5 minuti, quindi passare l'interno del forno con un panno asciutto.
- 10** Ispezionare regolarmente il forno per escludere la presenza di corrosione, particolarmente attorno allo sportello. Se si notano segni di corrosione, rivolgersi a un Tecnico autorizzato per la manutenzione.

## MANUTENZIONE

Se il forno o il suo cavo elettrico presentano qualsiasi danno, oppure se diventa necessario sostituire la lampadina del forno e riparare quest'ultimo, per ragioni di sicurezza tutto il lavoro dovrà essere eseguito da Kenwood oppure da un Tecnico autorizzato per le riparazioni degli elettrodomestici Kenwood.

*Prima di telefonare al tecnico, si prega di controllare quanto segue:*

- 1** Se il forno non funziona del tutto e il display non appare, oppure scompare, controllare che la spina sia inserita nella presa di corrente e che l'apparecchio sia acceso. In caso affermativo, spegnerlo e controllare che il fusibile all'interno della spina funzioni. Se necessario, provare a collegare l'apparecchio a una presa elettrica diversa.
- 2** Se il forno a microonde non funziona, controllare di avere impostato il timer. Accertarsi inoltre che lo sportello sia ben chiuso, in modo che le chiusure di sicurezza siano inserite fino in fondo. In caso contrario, infatti, il forno non funzionerà.
- 3** Controllare che il display non indichi l'inserimento della chiusura a prova di bambino. In caso affermativo, disinsierirla.

*Se nessuna di queste misure corregge la situazione:*

Le magasin où vous avez acheté le four à micro-ondes – ils vous conseilleront.

## CARACTÉRISTIQUES TECHNIQUES

Puissance consommée : ..... 220V – 60Hz, 1200W

Puissance fournie : ..... 800W

Dimensions extérieures : ..... 305 mm (H) x 508 mm (L) x 390 mm (P)

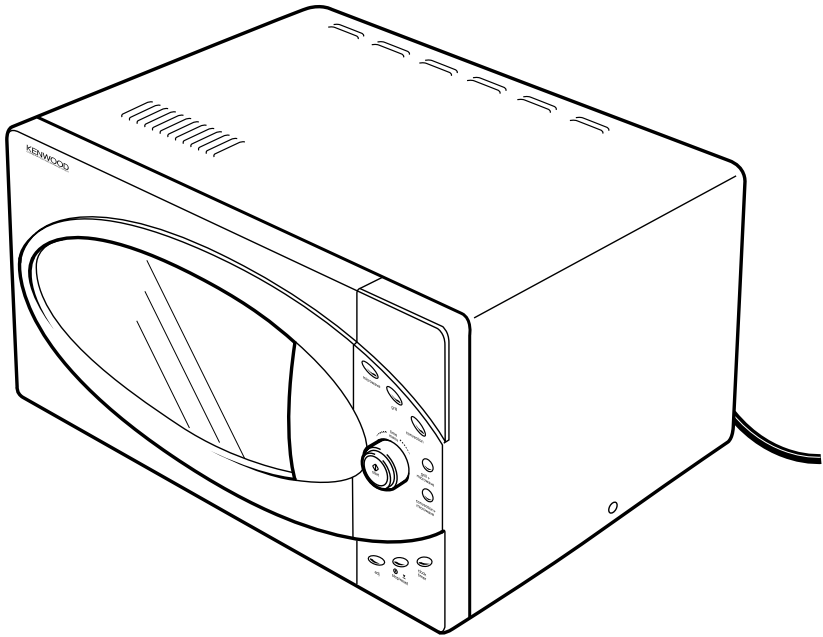
Dimensions intérieures du four : ..... 215 mm (H) x 350 mm (L) x 330 mm (P)

Capacité du four : ..... 23 litres

Uniformité de cuisson : ..... Système à plateau tournant (314 mm)

Poids net : ..... Environ 16.1 kg

# KENWOOD



## MW761E

Por favor, lea detenidamente estas instrucciones antes de poner en marcha el horno microondas con grill.

## ACERCA DE SU HORNO MICROONDAS DE KENWOOD

El nuevo horno microondas de Kenwood es un modelo de 900 vatios con una capacidad de 30 litros. Puede utilizarse para descongelar, recalentar y cocinar.

Por su seguridad y la de aquellos que le rodean, por favor preste especial atención al leer las medidas de seguridad importantes enumeradas aquí:

### MEDIDAS DE SEGURIDAD IMPORTANTES

- 1 INSTRUCCIONES DE SEGURIDAD IMPORTANTES. LÉALAS DETENIDAMENTE Y CONSÉRVELAS PARA FUTURA REFERENCIA.**
- 2** Bajo **NINGUNA** circunstancia utilice este aparato con ninguno otro fin que no sea el uso doméstico al que se destina.
- 3** **NO** utilice este aparato si hay daños visibles en el horno, cable de alimentación o sello de la puerta o si se ha caído accidentalmente.
- 4** **NO** sumerja este aparato, el cable de alimentación o el enchufe en agua ni en ningún otro líquido.
- 5** **NUNCA** deje que el cable de alimentación cuelgue de la encimera o toque superficies calientes tales como una placa de gas o eléctrica.
- 6** **AVISO:** Este aparato no deberán utilizarlo los niños o ancianos sin supervisión. Sólo podrán utilizar el horno los niños sin supervisión cuando se les hayan dado las instrucciones apropiadas de manera que el niño pueda utilizarlo de forma segura y entienda los peligros del uso inadecuado.
- 7** **AVISO:** No se deberán calentar líquidos u otros alimentos en recipientes cerrados ya que podrían explotar. Los huevos con cáscara o los huevos cocidos con la cáscara no deberán calentarse en un horno microondas ya que podrían explotar incluso después de haber terminado de calentarlos en el microondas.
- 8** Para reducir los riesgos de incendio en el espacio del horno, deberá supervisar el horno cuando se esté utilizando especialmente cuando se caliente o cocine comida en recipientes desechables de plástico, papel u otros materiales inflamables.
- 9** Si se observa humo, mantenga la puerta del horno cerrada, apague y desenchufe el cable de alimentación eléctrica. Déjelo hasta que desaparezca el humo.
- 10** **NO** ponga el horno en marcha si está vacío ya que podría dañar seriamente el horno.
- 11** **NO** utilice el espacio del horno como despensa.
- 12** **NO** cocine alimentos como yemas de huevo, patatas, higadillos de pollo, etc, sin pinchar primero varias veces con un tenedor.
- 13** **NO** cocine alimentos directamente sobre el plato de cristal. Ponga la comida en un plato adecuado antes de meterla en el horno.
- 14** **NO** utilice cazuelas de metal o platos con asas de metal. **NO** utilice ningún utensilio con bordes de metal o cierres metálicos en el horno. Antes de usarlos, asegúrese de que los utensilios son aptos para hornos microondas.

## MEDIDAS DE SEGURIDAD IMPORTANTES (cont.)

- 15 Compruebe siempre la temperatura de los alimentos cocinados, especialmente si calienta o cocina alimentos o líquidos para bebés. Los alimentos y los líquidos deberán dejarse reposar unos minutos y removerse para que el calor se distribuya uniformemente. Recuerde que hay que remover con un utensilio que no sea de metal para evitar que los alimentos o los líquidos se salgan de repente del recipiente.
- 16 Algunos alimentos como la mermelada, las conservas y el pudín de Navidad se calientan muy pronto, y habrá que tener cuidado al comprobar la temperatura antes de comerlos. Al calentar o cocinar ciertos alimentos con un alto contenido en grasa o azúcar, no se utilizarán recipientes de plástico.
- 17 Si utiliza un termómetro, asegúrese de que se trata de un modelo específicamente apto para utilizar en hornos microondas.
- 18 **NO** intente freír alimentos en el microondas.
- 19 Recuerde por favor que al poner líquidos en el microondas, aunque el recipiente no esté caliente, el líquido sí, y echará vapor o salpicará como si se calentara de la forma convencional. Calentar bebidas en el microondas puede producir una ebullición retardada, por lo que deberá tenerse cuidado al agarrar el recipiente.
- 20 **AVISO:** Si la puerta o el sellado de la puerta están dañados, no deberá ponerse el horno en marcha hasta que una persona autorizada lo haya reparado.
- 21 **AVISO:** Es peligroso para cualquier persona que no sea la autorizada proceder a cualquier reparación que implique la retirada de una protección que protege frente a la exposición de energía de microondas.

### Antes de enchufar

- Antes de encender, asegúrese de que el voltaje del suministro eléctrico es el mismo que el indicado en la placa de datos.

Nota: Este aparato cumple con la Directiva de la Comunidad Económica Europea sobre Radiointerferencias 89/336/CEE.

### Radiointerferencias

El funcionamiento del horno microondas puede producir interferencias en la radio, TV o equipos similares. En caso de producirse interferencias, se podrán reducir tomando las siguientes medidas:

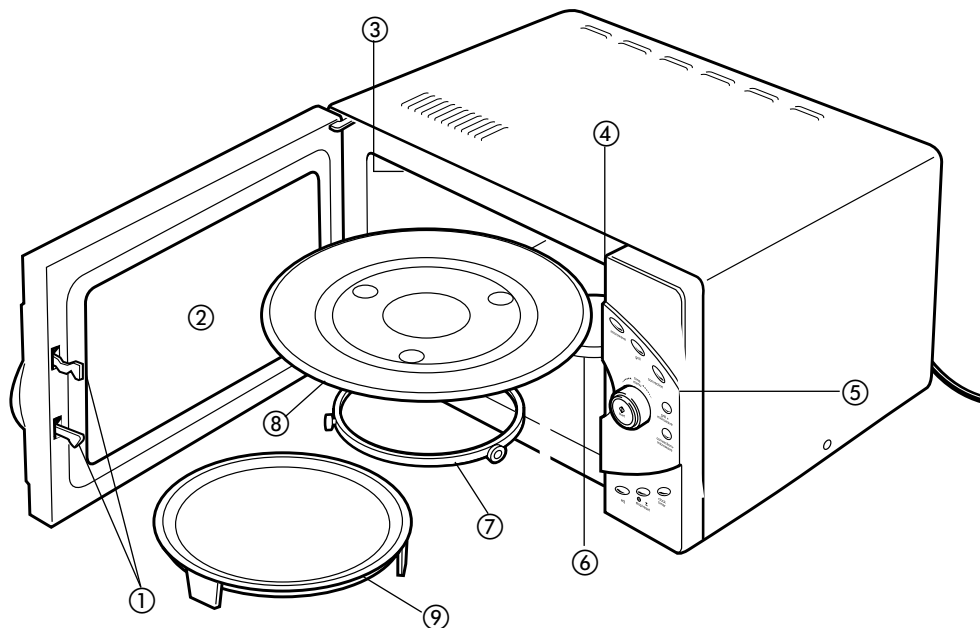
- a) Limpie la puerta y sellos del horno.
- b) Mueva la antena de la televisión o radio.
- c) Aleje el horno del receptor.

### Antes de utilizar por primera vez

- 1 Retire todas las etiquetas y el embalaje del interior del horno.
- 2 Compruebe que no hay indicios de daños en el horno, como la puerta mal alineada o dañada, hendiduras en la cavidad interior o sellos dañados. No utilice el horno en caso de estar dañado.
- 3 No ponga nada encima del horno.
- 4 A fin de garantizar la ventilación adecuada, deje al menos un espacio de 5 cm a cada lado del horno, 10 cm en la parte trasera y 20 cm en la parte superior del horno.
- 5 Coloque el soporte giratorio y el plato de cristal.

## COMO UTILIZAR EL HORNO MICROONDAS

Si el suministro eléctrico se interrumpe en algún momento, será necesario volver a ajustar el reloj siguiendo las instrucciones de la página 49.



① Sistema de cierre de seguridad de la puerta

② Ventana del horno

③ Calentador

④ Ventilador del horno

⑤ Panel de control

⑥ Eje

⑦ Anillo giratorio

⑧ Plato de cristal

⑨ Plato para pizza

### **AVISO: Evitar la exposición excesiva a la energía de microondas**

**NO** intente poner el horno en marcha con la puerta abierta ya que esto podría causar la exposición dañina a la energía de microondas.

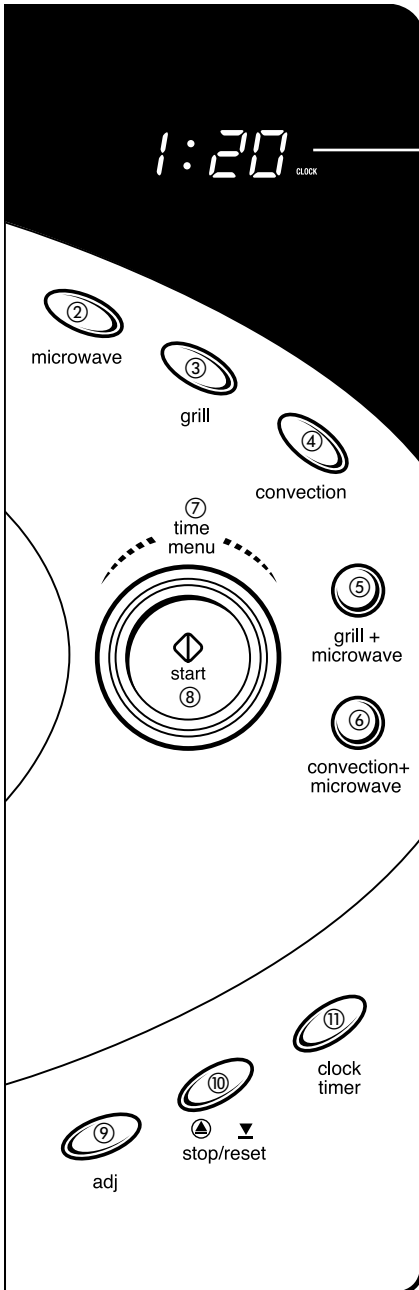
**NO** manipule indebidamente el cierre de seguridad que mantiene la puerta cerrada.

**NO** ponga en marcha el horno si hay algún tipo de daño. Es sumamente importante que la puerta del horno esté bien cerrada y que no haya daños en:

- i. La puerta (doblada)
- ii. Las bisagras y enganches (rotos o flojos)
- iii. Los sellos de la puerta.

Únicamente personal del servicio técnico adecuadamente cualificado ajustará o reparará el horno.

## EL PANEL DE CONTROL



- ① **Pantalla**  
Muestra el tiempo de cocinado, la potencia y la hora actual.
- ② **Microondas**  
Pulse para elegir el nivel de potencia del microondas.
- ③ **Grill**  
Pulse para acceder a distintos tiempos de cocinado mediante grill.
- ④ **Convección**  
Pulse para programar la temperatura de convección.
- ⑤ **Grill + Microondas**  
Pulse para elegir ajustes diferentes de cocinado combinado.
- ⑥ **Convección + Microondas**  
Pulse para elegir ajustes diferentes de cocinado combinado.
- ⑦ **Menú de tiempos (dial)**  
Gire para elegir el tiempo de cocinado o para elegir el automenú.
- ⑧ **Empezar**  
Pulse para empezar el programa de cocinado o para ajustar el programa de cocinado de comienzo rápido.
- ⑨ **Adj.**  
Pulse para descongelar o para elegir los ajustes del tiempo de cocinado o de peso del automenú.
- ⑩ **Parar/Reajustar**  
Toque para parar el programa de cocinado y borrar todos los ajustes previos antes de comenzar a cocinar.
- ⑪ **Reloj/Temporizador**  
Pulse para ajustar el reloj o el temporizador.

(Por favor, véanse asimismo las siguientes páginas para mayor información).



## AJUSTE Y REAJUSTE DEL RELOJ

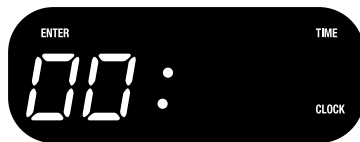
- Encienda el aparato

Verá:



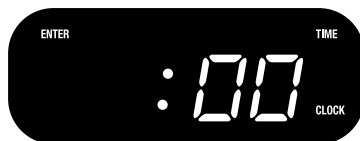
- Pulse el botón CLOCK/TIMER.

Escuchará un pitido. Gire el dial TIME MENU hasta que muestre la hora correcta.



- Pulse el botón CLOCK/TIMER.

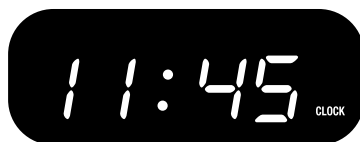
Escuchará un pitido. Gire el dial TIME MENU hasta que muestre los minutos correctos.



- Pulse el botón CLOCK/TIMER para confirmar el ajuste de la hora.

- La pantalla deberá mostrar la hora correcta del día.

Si no es así, pulse el botón CLOCK/TIMER e inténtelo de nuevo.



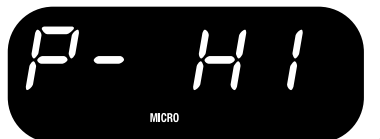
- Parpadearán los dos puntos cada 2 segundos.
- Puede ajustarse el reloj a 12 horas (1:00 a 12:59)
- Puede comprobarse la hora del día durante el ciclo de cocinado pulsando el botón CLOCK/TIMER. Mostrará la hora durante 5 segundos.

## AJUSTE DEL TIEMPO DE COCINADO Y LA POTENCIA

**IMPORTANTE:** Al utilizar el microondas, sólo deberá utilizar platos de cristal o de cerámica resistentes al calor y platos de plástico aptos para microondas.

- Pulse el botón MICROWAVE.

La pantalla mostrará P - HI y micro.



- Pulse el botón MICROWAVE para ajustar la potencia requerida. El horno cocina automáticamente a alta potencia al menos que se ajuste otra potencia.

Ejemplo: Se ha pulsado 3 veces el botón MICROWAVE para ajustar la potencia al 80%.



Pulsar	Potencia
1 vez	100% fuerte
2 veces	90%
3 veces	80%
4 veces	70% media fuerte
5 veces	60%
6 veces	50% media
7 veces	40%
8 veces	30% baja/descongelar
9 veces	20%
10 veces	10% baja

- Gire el dial TIME MENU para ajustar el tiempo de cocinado requerido. Se encenderá y parpadeará el botón de inicio.



- Pulse el botón START para comenzar a cocinar. El horno emitirá un pitido 4 veces cuando finalice el tiempo de cocinado y aparecerá END en la pantalla.



- Si desea interrumpir el cocinado en cualquier momento:
  - Pulse una vez el botón STOP/RESET para interrumpir temporalmente el cocinado. Pulse el botón START para reiniciar el tiempo de cocinado.
  - Pulse dos veces el botón STOP/RESET para cancelar el programa de cocinado.
- Puede comprobarse la potencia durante el ciclo de cocinado pulsando el botón MICROWAVE. Aparecerá la potencia en la pantalla durante 5 segundos.
- Antes de comenzar con otra sesión de cocinado, deberán eliminarse los datos del programa pulsando el botón STOP/RESET.

## COMIENZO RÁPIDO

Utilice esta función para programar el horno para cocinar con microondas al 100% de potencia.

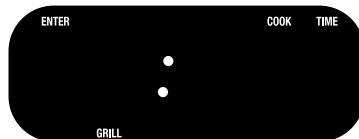
- Pulse el botón START sucesiva y rápidamente para fijar el tiempo de cocinado. El tiempo máximo que se puede fijar es 10 minutos.
- El horno se pondrá en marcha automáticamente 2 segundos más tarde.
- El horno emitirá un pitido 4 veces cuando finalice el tiempo de cocinado y aparecerá END en la pantalla.

## GRILL

El grill puede utilizarse solo o combinado con el horno microondas. Utilice el grill para cocinar filetes, chuletas, pinchos morunos, salchichas, hamburguesas, etc.

**IMPORTANTE:** En el modo grill, no deberán utilizarse platos de plástico aptos para microondas.

- Para utilizar únicamente el grill, en primer lugar ponga la comida en un plato adecuado en el horno.
- Pulse el botón GRILL.



- Gire el dial de TIME MENU para seleccionar el tiempo de grill requerido y pulse START.

Ejemplo: Tiempo de grill elegido  
2 minutos.



- El tiempo de grill máximo que se puede fijar es 95 minutos.
- Durante el uso del grill, la potencia de cocinado se fijará a la máxima potencia.

## COCINADO COMBINADO

Pueden utilizarse los dos ajustes combinados de grill y microondas para cocinar y calentar alimentos a fin de garantizar que la comida esté hecha y dorada. Esto se hace en función del tiempo ajustado, por ejemplo, el horno cocinará un producto durante el 70% del tiempo de cocinado ajustado y el grill utilizará el 30% restante hasta alcanzar el 100% del ciclo de cocinado.

### Ejemplo:

**Combinación 1** – tiempo de microondas 30% + tiempo del grill 70% - recomendada para el pescado y platos gratinados.

**Combinación 2** - tiempo de microondas 55% + tiempo del grill 45% - recomendada para patatas al horno, postres y aves de corral.

- Elija la combinación que quiera utilizar pulsando el botón GRILL + MICROWAVE:

Pulse una vez para seleccionar la Combinación 1  
 Pulse dos veces para seleccionar la Combinación 2

Ejemplo: Se ha elegido la combinación 1.



- Gire el dial de TIME MENU para seleccionar el tiempo de cocinado y pulse START para comenzar a cocinar.

Ejemplo: Se ha elegido 5 minutos



- El tiempo de cocinado máximo que se puede fijar es 95 minutos.
- **IMPORTANTE:** En el modo combinado, no deberán utilizarse platos de plástico aptos para microondas.

## CONVECCIÓN

Durante el cocinado de convección, el aire caliente circula en el horno para dorar y dejar crujiente los alimentos de forma rápida y uniforme. Se pueden programar 10 temperaturas de cocinado diferentes durante un período de hasta 9,5 horas.

- **IMPORTANTE:** En el modo de convección, no deberán utilizarse platos de plástico aptos para microondas.
- Pulse el botón CONVECTION para seleccionar la temperatura.



Pulse	Temperatura °C
1 vez	230
2 veces	215
3 veces	200
4 veces	185
5 veces	170
6 veces	155
7 veces	140
8 veces	125
9 veces	110
10 veces	95

- Gire el dial de TIME MENU para fijar el tiempo de cocinado requerido.



- Pulse el botón START para comenzar a cocinar. El horno emitirá un pitido 4 veces cuando finalice el tiempo de cocinado y aparecerá END en la pantalla.

Ejemplo: Se ha pulsado 4 veces el botón CONVECTION para fijar la temperatura a 185°C



Ejemplo: Se ha fijado el tiempo en 1 hora 30 minutos



- Durante el ciclo de cocinado puede comprobarse la temperatura pulsando el botón CONVECTION.
- Antes de comenzar con otra sesión de cocinado, deberán eliminarse los datos del programa pulsando el botón STOP/RESET.

## PRECALENTADO DE CONVECCIÓN

Puede programar el horno para combinar precalentamiento con cocinado de convección.

- Pulse el botón CONVECTION para seleccionar la temperatura de precalentado requerida.
- Pulse el botón START y aparecerá y parpadeará en la pantalla 30 minutos y “PREH”. Cuando el horno alcance la temperatura requerida, el horno emitirá un pitido y dejará de parpadear “PREH” en la pantalla.
- Abra la puerta y ponga la comida a cocinar en el horno.
- Gire el dial de TIME MENU hasta el tiempo de cocinado requerido. Pulse el botón START.



## COCINADO DE CONVECCIÓN Y MICROONDAS

El horno tiene 4 ajustes preprogramados que combinan calor de convección con microondas.

- **IMPORTANTE:** no deberán utilizarse platos de plástico aptos para microondas en el modo combinación.
- Pulse el botón CONVECTION + MICROWAVE para seleccionar la temperatura de convección.



Combinación	Pulse	Temperatura °C
1	1 vez	230
2	2 veces	200
3	3 veces	180
4	4 veces	150

- Gire el dial de TIME MENU hasta la temperatura de cocinado requerida. Pulse el botón START. El horno emitirá un pitido 4 veces cuando finalice el tiempo de cocinado y aparecerá END en la pantalla.



- El tiempo de cocinado máximo es 9,5 horas.
- Durante el ciclo de cocinado, se puede comprobar la temperatura pulsando el botón CONVECTION + MICROWAVE.
- Antes de comenzar con otra sesión de cocinado, deberán eliminarse los datos del programa pulsando el botón STOP/RESET.

Ejemplo: Se ha elegido la combinación 2 (200°C).

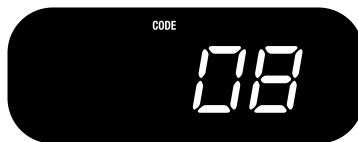


Ejemplo: Luego un tiempo de cocinado de 1 hora 30 minutos.

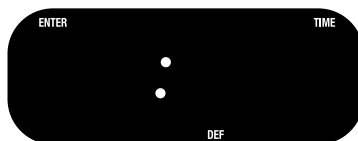


## DESCONGELACIÓN RÁPIDA (ADJ.)

- Gire el dial de TIME MENU hasta que aparezcan en la pantalla "08" y CODE.



- Pulse el botón ADJ. y aparecerá DEF en la pantalla.



- Gire el dial de TIME MENU para seleccionar el tiempo de descongelación requerido.
- Pulse el botón START. El horno emitirá un pitido 4 veces cuando finalice el tiempo de descongelación y aparecerá END en la pantalla.
- Pulse el botón RESET o abra la puerta para eliminar los datos del programa.
- Para comida cruda o congelada precocinada, deje aproximadamente 5 minutos por 500 g.



- Al descongelar alimentos en recipientes de plástico no aptos para microondas, descongele únicamente hasta que pueda sacarse la comida del plástico y pueda ponerse en un plato apto para microondas.
- El tiempo de descongelación máximo es 45 minutos.

## COCINADO CON PROGRAMAS

El horno puede configurarse para que realice un programa de 3 fases.

Por ejemplo, podría descongelar, después utilizar microondas y terminar con un cocinado de convección, de la siguiente manera:

Ejemplo: Gire el dial de TIME MENU hasta que aparezcan "08" y CODE en la pantalla.



- Pulse el botón ADJ. A continuación gire TIME MENU para seleccionar el tiempo de descongelación requerido.

Ejemplo: Tiempo de descongelación ajustado a 50 segundos.



- Pulse el botón MICROWAVE para fijar la potencia requerida.
- Gire el dial de TIME MENU para seleccionar el tiempo de cocinado requerido.

Ejemplo: Microondas ajustado al 70% de potencia durante 1 minuto.



- Pulse el botón CONVECTION para fijar la temperatura de convección.



- Gire el dial de TIME MENU para seleccionar el tiempo de cocinado requerido.

Ejemplo: Temperatura de cocinado de convección ajustada a 200°C durante 50 minutos.



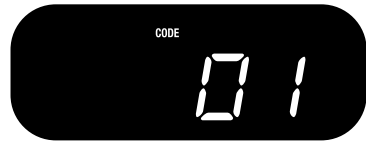
- Pulse el botón START.
- Nota: Únicamente puede elegirse DEFROST antes del ciclo de cocinado.

### AJUSTES DE AUTO MENU

El AUTO MENU le permite cocinar o recalentar comida automáticamente sin ajustar la potencia o el tiempo.

- Gire el dial de TIME MENU hasta que aparezcan en la pantalla el número de código para el alimento requerido y CODE.

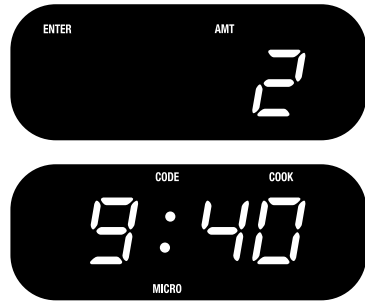
Ejemplo: Se ha elegido 01 Patata al horno



Código	Producto
01	Patata al horno 125 g – 175 g (5 - 7oz)
02	Bebidas
03	Palomitas
04	Recalentar
05	Pizza
06	Pinchos morunos
07	Pasteles

- Pulse ADJ para elegir la cantidad/peso y tiempo requeridos.

Ejemplo: 01 Patata al horno, se pulsa dos veces ADJ para elegir un tiempo de cocinado de 9 minutos y 40 segundos.



- Pulse el botón START.

### 01 PATATA AL HORNO

Cantidad	Pulse ADJ	Tiempo de cocinado
1	1 vez	5 minutos 40 segundos
2	2 veces	9 minutos 40 segundos
3	3 veces	13 minutos
4	4 veces	17 minutos

- Deje reposar la comida de 5 a 10 minutos una vez terminado el programa de cocinado.

### 02 BEBIDAS

Cantidad	Pulse ADJ	Tiempo de cocinado
1	1 vez	2 minutos 20 segundos
2	2 veces	4 minutos
3	3 veces	5 minutos 40 segundos
4	4 veces	7 minutos 20 segundos

- Tenga cuidado al sacar líquidos calientes del microondas. Deje reposar unos minutos y remuévalo para que el calor se distribuya uniformemente.

### 03 PALOMITAS

Cantidad	Pulse ADJ	Tiempo de cocinado
1	1 vez	2 minutos 30 segundos

- Para reajustar el tiempo para PALOMITAS, gire el dial de TIME MENU hasta que aparezcan "03" y CODE en la pantalla. Pulse dos veces el botón ADJ. Gire el dial de TIME MENU para seleccionar el nuevo tiempo. A continuación, pulse Start.
- El nuevo tiempo permanecerá hasta que se vuelva a reajustar.

## 04 RECALENTAR

Cantidad	Pulse ADJ	Tiempo de cocinado
1	1 vez	3 minutos 40 segundos

## 05 PIZZA

Cantidad	Pulse ADJ	Tiempo de cocinado
Pequeña	1 vez	1 minuto 10 segundos
Grande	2 veces	3 minutos 30 segundos

## 06 PINCHOS MORUNOS

Peso	Pulse ADJ	Tiempo de cocinado
150 g	1 vez	12 minutos
275 g	2 veces	15 minutos
525 g	3 veces	23 minutos
750 g	4 veces	30 minutos

- Cuando ya haya pasado la mitad del tiempo de cocinado, emitirá un pitido que le recordará que tiene que dar la vuelta a los pinchos.

## 07 PASTELES

Cantidad	Pulse ADJ	Tiempo de cocinado
1	1 vez	40 minutos

- Para reajustar el tiempo para PASTELES, gire el dial de TIME MENU hasta que aparezcan "07" y CODE en la pantalla. Pulse dos veces el botón ADJ. Gire el dial de TIME MENU para seleccionar el nuevo tiempo. A continuación, pulse Start.
- El nuevo tiempo permanecerá hasta que se vuelva a reajustar.

## TEMPORIZADOR

Puede utilizarse el horno como un temporizador autónomo.

- Para ajustar el temporizador, mantenga pulsado el botón CLOCK/TIMER durante 3 segundos.
- Gire el dial de TIME MENU hasta el tiempo de cocinado requerido.
- Pulse el botón START. Emitirá un pitido largo al final de la cuenta atrás.

Ejemplo: se elige 1 minuto de cuenta atrás.



- El tiempo máximo al que puede ajustarse es 95 minutos.
- Pulse el botón CLOCK/TIMER y a continuación, el botón RESET para cancelar el temporizador.
- Para ver el tiempo de cuenta atrás, mantenga pulsado el botón CLOCK/TIMER durante 3 segundos.

## CIERRE DE SEGURIDAD PARA NIÑOS

Esta característica de seguridad garantizará que los niños sin supervisión no puedan abrir el horno. El horno no se pondrá en marcha cuando esté configurado el cierre de seguridad para niños aunque la puerta pueda abrirse.

- Para configurar el cierre, mantenga pulsado el botón RESET durante 3 segundos. Emitirá un pitido y aparecerá "lock" en la pantalla.



- Para cancelar el cierre, mantenga pulsado el botón RESET durante 3 segundos.

## ELIMINAR DATOS

- Pulse el botón STOP o abra la puerta. Puede reiniciar el horno pulsando el botón START.
- Pulse el botón RESET para borrar los datos del programa.

## CUIDADO Y LIMPIEZA

- 1 Apague el horno y desenchúfelo de la toma antes de limpiarlo.
- 2 Conserve el interior del horno limpio pasando un paño húmedo. Si está muy sucio, puede utilizar un detergente líquido suave. No utilice detergentes fuertes o agresivos ya que dañarán el horno. No utilice cuchillos ni ningún otro raspador para eliminar los restos de comida del horno.
- 3 El exterior del horno puede limpiarse con un paño húmedo templado.
- 4 Mantenga el panel de control sin demasiada humedad. Límpielo únicamente con un paño húmedo suave y no utilice detergentes ni abrasivos.
- 5 En caso de que se acumule condensación en el interior o alrededor del exterior de la puerta del horno, límpielo con un paño húmedo. La condensación es bastante normal y se forma cuando hay humedad durante el cocinado.
- 6 Asegúrese de que los sellos de la puerta y las partes adyacentes se mantienen limpias, pasando un paño húmedo. Si el sello de la puerta está de alguna forma dañado, no deberá utilizarse el horno hasta que haya sido reparado por un técnico autorizado de Kenwood.
- 7 Ocasionalmente es necesario sacar el plato de cristal para limpiar. Lave el plato en agua jabonosa templada y después aclare y séquelo bien.
- 8 El anillo giratorio y la superficie inferior del horno deberán limpiarse periódicamente para evitar el exceso de ruidos. Simplemente frote la superficie inferior del horno utilizando un detergente suave y séquelo bien con un paño suave. El anillo giratorio puede lavarse en agua jabonosa suave, aclararse y secarse bien. Asegúrese de poner el anillo giratorio en la posición correcta.
- 9 Elimine los malos olores del horno mezclando un vaso de agua con el zumo y la cáscara de un limón en un bol profundo apto para microondas. Ponga el microondas en marcha durante 5 minutos y a continuación, limpie el interior del horno con un paño seco.
- 10 Inspeccione el horno periódicamente por si hubiera indicios de corrosión – en concreto alrededor de la puerta. Si encuentra algún indicio de corrosión, solicite servicio técnico para el aparato.

## SERVICIO TÉCNICO

Si el horno o el cable de alimentación están de alguna forma dañados, o es necesario cambiar la luz del horno o reparar el horno, deberá repararlo Kenwood o un técnico autorizado de Kenwood por razones de seguridad.

### ***Antes de llamar para solicitar asistencia, compruebe por favor lo siguiente:***

- 1** Si el horno no funciona y la pantalla no aparece, o desaparece, compruebe que el horno esté enchufado y encendido. Si está, apáguelo y compruebe que el fusible del enchufe esté bien. En caso necesario, enchufe el aparato en otra toma.
- 2** Si el microondas no funciona, compruebe que el temporizador esté ajustado. Compruebe asimismo que la puerta esté bien cerrada de manera que los cierres de seguridad estén totalmente encajados. Si no es así, el horno no funcionará.
- 3** Compruebe que no aparece el cierre de seguridad para niños en la pantalla. Si aparece, apáguelo.

### ***Si ninguna de las medidas anteriores soluciona el problema, póngase en contacto con:***

La tienda donde compró el microondas, ellos le ayudarán.

## ESPECIFICACIÓN

Consumo energético: . . . . .230 v – 50 Hz, 1400 W

Salida: . . . . .900 W

Dimensiones exteriores: . . . . .305 mm (altura) x 525 mm (anchura) x 455 mm (prof.)

Dimensiones de la cavidad

del horno: . . . . .219 mm (altura) x 350 mm (anchura) x 384 mm (prof.)

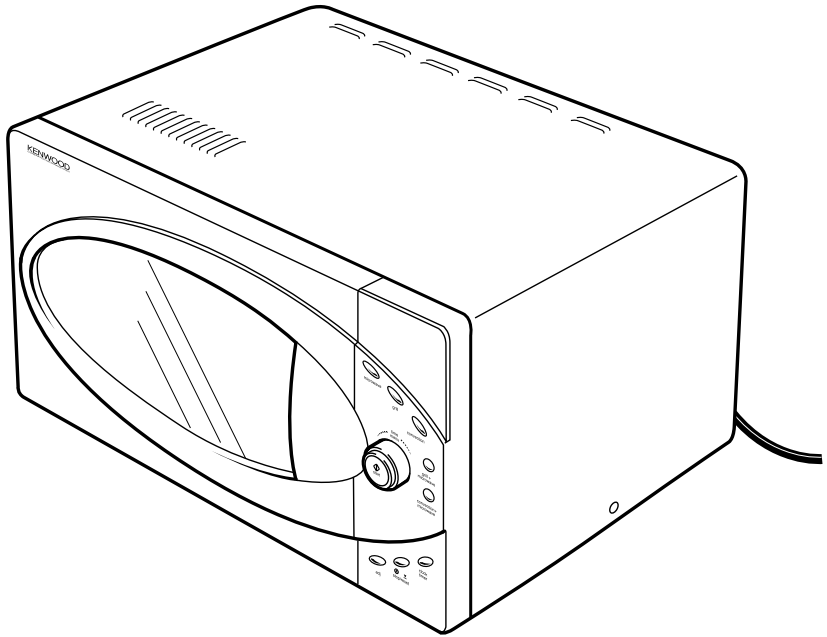
Capacidad del horno: . . . . .30 litros

Uniformidad de cocinado: . . . . .Plato giratorio (314 mm)

Peso neto: . . . . .Aprox. 22 kg



# KENWOOD



## MW761E

Por favor leia cuidadosamente estas instruções antes de utilizar o seu forno microondas com grelha.

## SOBRE O SEU FORNO MICROONDAS KENWOOD

O seu novo Forno Microondas Kenwood é um modelo de 900 watt com uma capacidade de 30 litros. Pode ser utilizado para descongelar, reaquecer e cozinhar.

Para sua segurança e dos que o rodeiam, por favor leia com especial atenção as Precauções de Segurança Importantes abaixo indicadas:

### PRECAUÇÕES IMPORTANTES

- 1 INSTRUÇÕES DE SEGURANÇA IMPORTANTES. LEIA-AS ATENTAMENTE E CONSERVE-AS PARA CONSULTA FUTURA.**
- 2 NÃO** deverá, em qualquer circunstância, utilizar este aparelho para qualquer outra finalidade para além da sua finalidade doméstica normal.
- 3 NÃO** utilize este aparelho se houver algum sinal visível de dano no forno, cabo ou vedante da porta ou se tiver sido deixado cair acidentalmente.
- 4 NÃO** mergulhe este aparelho, o cabo ou a ficha em água ou qualquer outro líquido.
- 5 NÃO** deixe o cabo eléctrico dependurado da beira de uma bancada nem permita que toque em superfícies quentes, tais como um fogão a gás ou eléctrico.
- 6 AVISO:** O aparelho não se destina a ser utilizado por crianças pequenas nem pessoas debilitadas sem supervisão. Apenas deverá autorizar as crianças a utilizar o forno sem supervisão quando tiver dado instruções adequadas para que a criança seja capaz de utilizar o forno de forma segura e compreenda os riscos de uma utilização indevida.
- 7 AVISO:** Líquidos e outros alimentos não devem ser aquecidos em recipientes selados pois estão sujeitos a explodir. Os ovos com casca inteiros, cozidos ou não, não devem ser aquecidos num microondas pois podem explodir, mesmo depois de o aquecimento do microondas ter terminado.
- 8** Para reduzir o risco de incêndio no espaço do forno, deve supervisionar o forno durante a utilização, especialmente quando estão a ser aquecidos ou cozinhados alimentos em recipientes descartáveis de plástico, papel ou outros materiais combustíveis.
- 9** Se notar fumo, mantenha a porta do forno fechada e desligue no interruptor e retire a ficha da tomada. Não toque de todo no forno até que o fumo tenha deixado de produzir-se.
- 10 NÃO** opere o forno vazio pois isto pode danificá-lo gravemente.
- 11 NÃO** utilize o espaço do forno para qualquer tipo de armazenagem.
- 12 NÃO** cozinhe alimentos tais como gemas de ovos, batatas, fígados de frango, etc., sem primeiro os picar várias vezes com um garfo.
- 13 NÃO** cozinhe alimentos directamente no prato de vidro. Coloque os alimentos num prato apropriado antes de os introduzir no forno.
- 14 NÃO** utilize panelas metálicas nem pratos com pegas metálicas. **NÃO** utilize nada que tenha uma borda metalizada nem atadores metálicos de torcer revestidos no forno. Antes de utilizar os utensílios, verifique se são indicados para utilização no microondas.

## PRECAUÇÕES IMPORTANTES

- 15 Teste sempre a temperatura dos alimentos cozinhados, especialmente se estiver a aquecer ou a cozinhar alimentos ou líquidos para bebés. Os alimentos e líquidos devem descansar uns minutos e ser mexidos para distribuir o calor igualmente. Lembre-se de mexer com um utensílio não metálico para impedir que os alimentos ou líquidos transbordem subitamente do recipiente.
- 16 Há certos alimentos, tais como compota, mincemeat e pudim de Natal inglês, que aquecem muito rapidamente e deve por isso ter o cuidado de verificar a sua temperatura antes de os consumir. Ao aquecer ou cozinhar certos alimentos com elevado teor de gordura ou açúcar, não utilize recipientes plásticos.
- 17 Se utilizar um termómetro, certifique-se que se trata de um modelo específico para utilização em fornos microondas.
- 18 **NÃO** tente fritar alimentos imersos em óleo no microondas.
- 19 Ao aquecer líquidos no microondas, lembre-se que, embora o recipiente não esteja quente, o líquido no seu interior está e libertará vapor ou salpicará, tal como ocorreria num cozinhado tradicional. O aquecimento de bebidas no microondas poderá resultar em fervura eruptiva retardada, devendo portanto ter cuidado ao manusear o recipiente.
- 20 **AVISO:** Se a porta ou os vedantes da porta estiverem danificados, o forno não deverá funcionar até ter sido reparado por um técnico competente.
- 21 **AVISO:** A assistência ou reparações que envolvam a remoção de uma tampa ou cobertura que dê protecção contra a exposição à energia de microondas são perigosas se não forem efectuadas por uma pessoa competente para o efeito.

### Antes de ligar o aparelho

- Antes de ligar o aparelho, certifique-se de que a instalação eléctrica em sua casa corresponde à indicada na placa de características.

Nota: Este aparelho cumpre os requisitos da Directiva 89/336/CEE da Comunidade Económica Europeia sobre Interferência Radioelétrica.

### Interferência radioelétrica

A operação do forno microondas pode causar interferência no seu rádio, televisão ou equipamento similar. Se a interferência ocorrer, pode ser reduzida tomando as seguintes medidas:

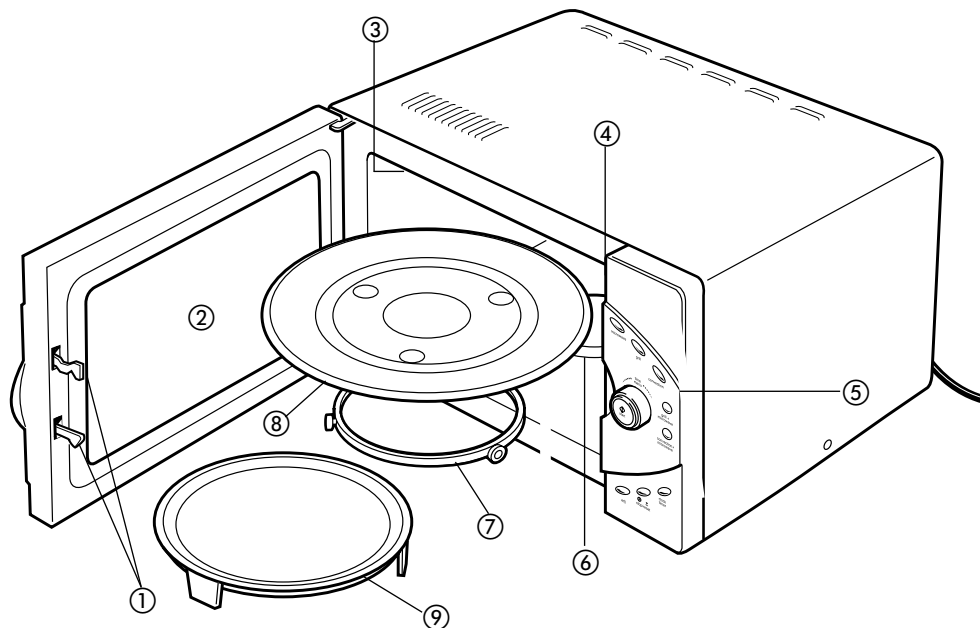
- a) Limpar a porta e vedantes do forno
- b) Mudar a antena do rádio ou televisão
- c) Afastar o forno do receptor

### Antes da primeira utilização

- 1 Retire todas as etiquetas e materiais de embalagem do interior do forno
- 2 Verifique se o forno apresenta sinais de dano, tal como a porta mal alinhada ou danificada, mossas na cavidade interior ou vedantes danificados. Não utilize se o forno estiver danificado.
- 3 Não coloque nada sobre o forno.
- 4 Para garantir uma ventilação adequada, deixe no mínimo um espaço livre de 5 cm de cada lado do forno, 10 cm atrás e 20 cm acima do forno.
- 5 Instale o anel de roletes e o prato de vidro.

## COMO UTILIZAR O SEU FORNO MICROONDAS

Se o fornecimento da energia da rede for interrompido em qualquer altura, será necessário reajustar o relógio utilizando as instruções na página 70.



① Sistema de fecho de segurança da porta

② Janela do forno

③ Aquecedor

④ Ventilação

⑤ Painel de comandos

⑥ Eixo

⑦ Anel de roletes

⑧ Prato de vidro

⑨ Prato para pizza

### **AVISO: Evite a exposição a energia de microondas excessiva**

**NÃO** tente operar o forno com a porta aberta pois isto pode resultar em exposição prejudicial à energia de microondas.

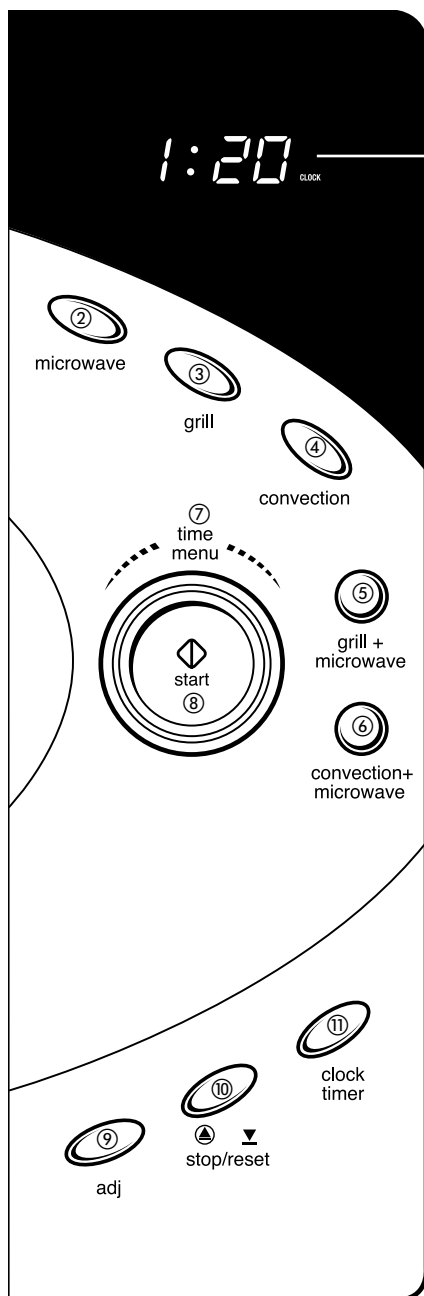
**NÃO** interfira nos entrel bloqueios de segurança que mantêm a porta fechada.

**NÃO** opere o forno se apresentar qualquer tipo de dano. É especialmente importante que a porta do forno seja devidamente fechada e que não haja danos no seguinte:

- i. Porta (torta)
- ii. Dobradiças e trincos (partidos ou soltos)
- iii. Vedantes da porta.

O forno deve ser apenas ajustado ou reparado por pessoal de assistência devidamente qualificado.

## O PAINEL DE COMANDOS



- ① **Visor**  
Exibe o tempo de cozedura, potência e hora actual.
- ② **Microondas (microwave)**  
Pressione para seleccionar o nível de potência do microondas.
- ③ **Grelha (grill)**  
Pressione para aceder a vários tempos de cozedura para a grelha.
- ④ **Convecção (convection)**  
Pressione para programar a temperatura de convecção.
- ⑤ **Grelha + Microondas (grill + microwave)**  
Pressione para seleccionar diversas combinações de ajustes de cozedura.
- ⑥ **Convecção + Microondas (convection + microwave)**  
Pressione para seleccionar diversas combinações de ajustes de cozedura.
- ⑦ **Menu de Tempo (botão) (time menu)**  
Rode para ajustar o tempo de cozedura ou seleccionar o menu automático.
- ⑧ **Começar (start)**  
Pressione para começar o programa de cozedura ou para seleccionar o programa de cozedura de início rápido.
- ⑨ **Ajustes (adj)**  
Pressione ao descongelar ou para seleccionar os ajustes de peso ou tempo de cozedura do Menu Automático.
- ⑩ **Parar/Reposicionar a Zero (stop/reset)**  
Toque para terminar o programa de cozedura e apagar todos os ajustes anteriores antes do início do cozinhado.
- ⑪ **Relógio/Temporizador (clock/timer)**  
Pressione para ajustar o relógio ou o temporizador.

(Por favor veja também mais pormenores nas páginas seguintes).

## AJUSTE E REAJUSTE DO RELÓGIO

- Ligue à alimentação.

Verá:



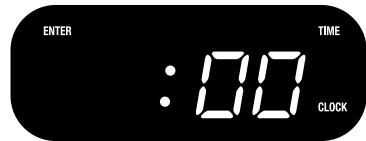
- Pressione o botão CLOCK/TIMER (Relógio/Temporizador).

Ouvirá um bip. Rode o botão TIME/MENU (Tempo/Menu) até visualizar a hora correcta.



- Pressione o botão CLOCK/TIMER.

Ouvirá um bip. Rode o botão TIME MENU até visualizar os minutos correctos.



- Pressione o botão CLOCK/TIMER para confirmar a hora ajustada.

- O visor deverá agora mostrar a hora do dia correcta.

Se isto não acontecer, pressione o botão CLOCK/TIMER e tente novamente.



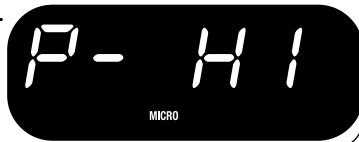
- Os dois pontos piscarão de dois em dois segundos.
- O relógio pode ser ajustado até 12 horas (1:00 até 12:59)
- A hora do dia pode ser verificada durante um ciclo de cozedura pressionando o botão CLOCK/TIMER. A hora será exibida por 5 segundos.

## AJUSTE DO TEMPO DE COZEDURA E DO NÍVEL DE POTÊNCIA

**IMPORTANTE:** Utilize apenas vidro resistente ao calor, cerâmica resistente ao calor e pratos plásticos que possam ir ao microondas no seu aparelho.

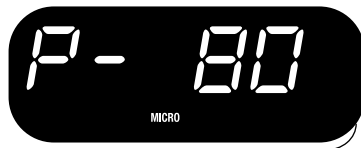
- Pressione o botão MICROWAVE (Microondas).

O visor mostrará P – HI e MICRO.



- Pressione o botão MICROWAVE para ajustar o nível de potência desejado. O forno cozinha automaticamente à potência mais alta, a não que ser tenha sido ajustado para outro nível.

Exemplo: O botão MICROWAVE foi pressionado 3 vezes para ajustar o nível de potência a 80%.



Pressione	Nível de Potência
1 vez	100% Alto
2 vezes	90%
3 vezes	80%
4 vezes	70% Médio – Alto
5 vezes	60%
6 vezes	50% Médio
7 vezes	40%
8 vezes	30% Baixo/Descongelar
9 vezes	20%
10 vezes	10% Baixo

- Rode o botão TIME MENU (Menu de Tempo) para ajustar o tempo de cozedura desejado.  
O botão start (Início) iluminar-se-á e piscará.



- Pressione o botão START para iniciar o cozinhado.  
O forno apitará 4 vezes no final do tempo de cozedura e END aparecerá no visor.



- Se desejar parar de cozinhar em qualquer altura:
  - Pressione o botão STOP/RESET uma vez para parar o cozinhado temporariamente.  
Pressione "start" para reiniciar o tempo de cozedura.
  - Pressione o botão STOP/RESET duas vezes para cancelar o programa de cozedura.
- O nível de potência pode ser verificado durante o ciclo de cozedura pressionando o botão MICROWAVE. O nível de potência será exibido por 5 segundos.
- Antes de iniciar outra sessão de cozedura, o programa deve ser apagado pressionando o botão STOP/RESET.

## INÍCIO RÁPIDO

Utilize esta função para programar o forno para cozinhar alimentos no microondas com 100% de potência.

- Pressione o botão START em sucessão rápida para ajustar o tempo de cozedura. O tempo máximo que pode ser ajustado é de 10 minutos.
- O forno começará a funcionar automaticamente 2 segundos mais tarde.
- O forno apitará 4 vezes no final do tempo de cozedura e END aparecerá no visor.

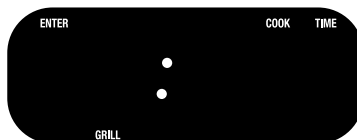


## GRELHA

A grelha pode ser utilizada sozinha ou em combinação com o forno microondas. Utilize a grelha para cozinhar bifés, costeletas, espetadas, salsichas, hambúrgues, etc.

**IMPORTANTE:** os pratos plásticos que podem ir ao microondas não devem ser utilizados no modo de grelhados.

- Para utilizar só a grelha, coloque primeiro os alimentos num prato adequado no forno.
- Pressione o botão GRILL (Grelha).



- Rode o botão TIME MENU para seleccionar o tempo pretendido para o grelhado e pressione START.

Exemplo: 2 minutos de tempo de grelhado seleccionados.



- O tempo máximo para grelhado que pode ser ajustado é de 95 minutos.
- Durante o grelhado, a potência de cozedura é ajustada ao máximo.

## COZEDURA COMBINADA

Os dois ajustes de grelha e microondas, combinados, podem ser utilizados para cozinhar e aquecer alimentos para assegurar que os alimentos são cozinhados e também ganham cor. Isto é feito com base em tempos atribuídos, por exemplo, o forno pode cozinhar um artigo por 70% do tempo de cozedura e a grelha substituirá o forno e funcionará os restantes 30% do tempo, até ao final dos 100% do ciclo de cozedura.

### Exemplo;

**Combinação 1** – 30% do tempo microondas + 70% do tempo grelha – recomendado para peixe e pratos gratinados.

**Combinação 2** – 55% do tempo microondas + 45% do tempo grelha – recomendado para batatas assadas com casca, pudins e carne de aves.

- Escolha a combinação a utilizar pressionando o botão GRILL + MICROWAVE (Grelha + Microondas):

Pressione uma vez para seleccionar a Combinação 1

Pressione duas vezes para seleccionar a Combinação 2

Exemplo: Foi seleccionada a Combinação 1.



- Rode o botão TIME MENU para seleccionar o tempo de cozedura e pressione START para iniciar o cozinhado.

Exemplo: Foram seleccionados 5 minutos.



- O tempo de cozedura máximo que pode ser ajustado é de 95 minutos.
- **IMPORTANTE:** os pratos plásticos próprios para microondas não devem ser utilizados no modo de cozedura combinada.

## CONVECÇÃO

Durante a cozedura por convecção, o ar quente circula no forno para corar e tostar os alimentos rápida e uniformemente. Podem ser programadas até 10 temperaturas de cozedura diferentes até a um máximo de 9h30.

- **IMPORTANTE:** Os pratos plásticos próprios para microondas não devem ser utilizados no modo de convecção.
- Pressione o botão CONVECTION para seleccionar a temperatura.



Pressione	Temperatura °C
1 vez	230
2 vezes	215
3 vezes	200
4 vezes	185
5 vezes	170
6 vezes	155
7 vezes	140
8 vezes	125
9 vezes	110
10 vezes	95

- Rode o botão TIME MENU para ajustar o tempo de cozedura pretendido.



- Pressione o botão START para iniciar o cozinhado. O forno apitará 4 vezes no final do tempo de cozedura e END aparecerá no visor.

Exemplo: O botão CONVECTION foi pressionado 4 vezes para ajustar a temperatura a 185°C.



Exemplo: O tempo foi ajustado para 1 hora e 30 minutos.



- A temperatura pode ser verificada durante o ciclo de cozedura pressionando o botão CONVECTION.
- Antes de iniciar outra sessão de cozedura, o programa deve ser apagado pressionando o botão STOP/RESET.

## CONVECÇÃO E PRÉ-AQUECIMENTO

O forno pode ser programado para combinar o pré-aquecimento com a cozedura por convecção.

- Pressione o botão CONVECTION para seleccionar a temperatura de pré-aquecimento pretendida.
- Pressione o botão START e 30 minutos e “PREH” (Pré-aquecimento) aparecerão a piscar no visor. Quando o forno atingir a temperatura pretendida, apitará e “PREH” deixará de piscar no visor.

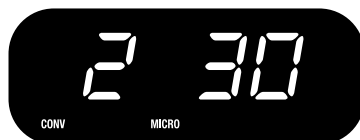


- Abra a porta e coloque os alimentos a serem cozinhados dentro do forno.
- Rode o botão TIME MENU para o tempo de cozedura pretendido. Pressione o botão START.

## COZEDURA COM CONVECÇÃO E MICROONDAS

O forno tem 4 ajustes pré-programados que combinam o calor por convecção com a cozedura por microondas.

- **IMPORTANTE:** os pratos plásticos próprios para microondas não devem ser utilizados no modo de cozedura combinada.
- Pressione o botão CONVECTION + MICROWAVE (Convecção e Microondas) para seleccionar a temperatura de convecção.



Combinação	Pressione	Temperatura °C
1	1 vez	230
2	2 vezes	200
3	3 vezes	180
4	4 vezes	150

- Rode o botão TIME MENU para o tempo de cozedura pretendido. Pressione o botão START. O forno apitará 4 vezes no final do tempo de cozedura e END aparecerá no visor.



- O tempo máximo de cozedura é de 9h30.
- A temperatura pode ser verificada durante o ciclo de cozedura pressionando o botão CONVECTION + MICROWAVE.
- Antes de iniciar outra sessão de cozedura, o programa deve ser apagado pressionando o botão STOP/RESET.

Exemplo: Foi seleccionada a Combinação 2 (200°C)

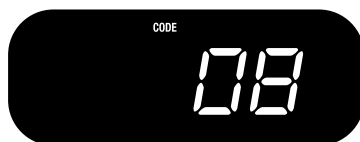


Exemplo: E depois um tempo de cozedura de 1 hora e 30 minutos.

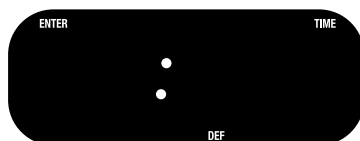


### **SPEED DEFROST (ADJ) (Descongelação Rápida) (Ajustes)**

- Rode o botão TIME MENU até "08" e CODE (Código) serem exibidos no visor.



- Pressione o botão ADJ e DEF (Descongelação) aparecerá no visor.



- Rode o botão TIME MENU (Menu de Tempo) para seleccionar o tempo de descongelação pretendido.
- Pressione o botão START para iniciar o cozinhado. O forno apitará 4 vezes no final do tempo de descongelação e END aparecerá no visor.
- Pressione o botão RESET (Reposicionar a Zero) ou abra a porta para apagar o programa.
- No caso de comida crua ou cozinhada anteriormente e congelada, cozinhe por aproximadamente 5 minutos por cada 450 g.

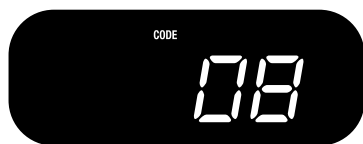
- Ao descongelar alimentos em recipientes plásticos impróprios para ir ao microondas, descongele apenas até os alimentos poderem ser retirados do plástico e colocados num prato que possa ir ao microondas.
- O tempo máximo de descongelação é de 45 minutos.

## COZINHADOS PROGRAMADOS

O forno pode ser ajustado para executar um programa em três passos.

Poderá, por exemplo, descongelar um alimento, depois cozê-lo no microondas e terminar com a cozedura por convecção, procedendo da seguinte maneira:

Exemplo: Rode o botão TIME MENU até "08" e CODE (Código) serem exibidos no visor.



- Pressione o botão ADJ (Ajustes). Depois rode o botão TIME MENU para seleccionar o tempo de descongelação pretendido.

Exemplo: Tempo de descongelação ajustado para 50 segundos.



- Pressione o botão MICROWAVE para ajustar o nível de potência pretendido.
- Rode o botão TIME MENU para seleccionar o tempo de cozedura pretendido.

Exemplo: Microondas ajustado para 70% de potência por 1 minuto.



- Pressione o botão CONVECTION (Convecção) para ajustar a temperatura de convecção.



- Rode o botão TIME MENU para seleccionar o tempo de cozedura pretendido.

Exemplo: Temperatura de cozedura por convecção ajustada para 200°C por 50 minutos.



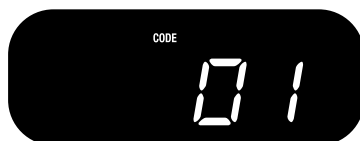
- Pressione o botão START (Início).
- Nota: DEFROST (Descongelação) só pode ser seleccionado antes de uma fase de cozedura.

## AJUSTES DO MENU AUTOMÁTICO

O AUTO MENU (Menu Automático) permite-lhe cozinhar ou reaquecer os alimentos automaticamente sem ajustar o nível de potência ou o tempo.

- Rode o botão TIME MENU até o número de código para os alimentos em questão e CODE serem exibidos no visor.

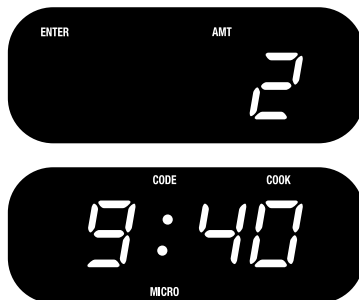
Exemplo: Foi seleccionado 01 Batata Assada com casca.



Código	Alimentos
01	Batata Assada com casca 125-175 g
02	Bebidas
03	Pipocas
04	Reaquecer
05	Pizza
06	Espetadas
07	Bolos

- Pressione ADJ (Ajustes) para seleccionar a quantidade/peso e o tempo pretendido.

Exemplo: 01 Batata Assada no forno, ADJ pressionado duas vezes para seleccionar um tempo de cozedura de 9 minutos e 40 segundos.



- Pressione o botão START.

### 01 BATATA ASSADA com casca

Quantidade	Pressione ADJ	Tempo de cozedura
1	1 vez	5 minutos 40 segundos
2	2 vezes	9 minutos 40 segundos
3	3 vezes	13 minutos
4	4 vezes	17 minutos

- Deixe os alimentos repousar por 5 – 10 minutos após o fim do programa de cozedura.

### 02 BEBIDAS

Quantidade	Pressione ADJ	Tempo de cozedura
1	1 vez	2 minutos 20 segundos
2	2 vezes	4 minutos
3	3 vezes	5 minutos 40 segundos
4	4 vezes	7 minutos 20 segundos

- Tenha cuidado ao retirar o líquido quente do microondas. Deixe repousar por alguns minutos e mexa-o para distribuir o calor uniformemente.

### 03 PIPOCAS

Quantidade	Pressione ADJ	Tempo de cozedura
1	1 vez	2 minutos 30 segundos

- Para reajustar o tempo para PIPOCAS, rode o botão TIME MENU até serem exibidos “03” e CODE no visor. Pressione o botão ADJ duas vezes. Rode o botão TIME MENU para seleccionar o novo tempo. Depois pressione START.
- O novo tempo continuará até ser reajustado novamente.



## 04 REAQUECER

Quantidade	Pressione ADJ	Tempo de cozedura
1	1 vez	3 minutos 40 segundos

## 05 PIZZA

Quantidade	Pressione ADJ	Tempo de cozedura
Pequena	1 vez	1 minuto 10 segundos
Grande	2 vezes	3 minutos 30 segundos

## 06 ESPETADAS

Quantidade	Pressione ADJ	Tempo de cozedura
150 g	1 vez	12 minutos
275 g	2 vezes	15 minutos
525 g	3 vezes	23 minutos
750 g	4 vezes	30 minutos

- Soará um bip a meio do cozinhado para o recordar de que deverá virar as espetadas.

## 07 BOLOS

Quantidade	Pressione ADJ	Tempo de cozedura
1	1 vez	40 minutos

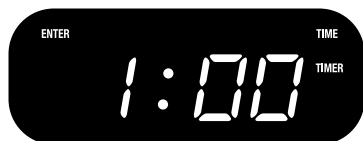
- Para reajustar o tempo para CAKE (Bolos), rode o botão TIME MENU até serem exibidos “07” e CODE no visor. Pressione o botão ADJ duas vezes. Rode o botão TIME MENU para seleccionar o novo tempo. Seguidamente pressione Start.
- O novo tempo continuará até ser reajustado novamente.

## TEMPORIZADOR

O forno pode ser utilizado como temporizador autónomo.

- Para ajustar o temporizador, pressione continuamente o botão CLOCK/TIMER por 3 segundos.
- Rode o botão TIME MENU para o tempo de cozedura pretendido.
- Pressione o botão START. Ouvirá um bip longo no final da contagem descendente do tempo.

Exemplo: seleccionado 1 minuto em contagem descendente.



- O tempo máximo que pode ser ajustado é de 95 minutos.
- Toque no botão CLOCK/TIMER e depois no botão RESET para cancelar o temporizador.
- Para ver o tempo em contagem descendente, pressione continuamente o botão CLOCK/TIMER por 3 segundos.

## FECHO À PROVA DE CRIANÇAS

Esta característica de segurança assegurará que o forno não pode ser aberto por crianças sem supervisão. O forno não funcionará quando o fecho à prova de crianças estiver activado, embora a porta possa ser ainda aberta.

- Para activar o fecho, pressione continuamente o botão RESET por 3 segundos. Ouvirá um bip longo e LOCK (Fecho) aparecerá no visor.



- Para cancelar o fecho, pressione continuamente o botão RESET por 3 segundos.

## APAGAR

- Pressione o botão STOP ou abra a porta. Pode reiniciar a operação do forno pressionando o botão START.
- Pressione o botão RESET para apagar o programa.

## MANUTENÇÃO E LIMPEZA

- 1** Desligue o forno no interruptor e retire a ficha da tomada antes de o limpar.
- 2** Mantenha o interior do forno limpo passando um pano humedecido. Se o forno estiver muito sujo, poderá utilizar uma solução de detergente suave. Não utilize detergentes fortes ou agressivos pois poderão danificar o forno. Não utilize uma faca nem qualquer outro utensílio para raspar resíduos de alimentos deste forno.
- 3** O exterior do forno pode ser limpo com um pano humedecido com água quente.
- 4** Mantenha o painel de comandos livre de humidade excessiva. Limpe-o apenas com um pano macio humedecido e não utilize detergentes nem abrasivos.
- 5** Se condensação se acumular no interior ou em volta do exterior da porta do forno, remova-a com um pano humedecido. A condensação é bastante normal e forma-se quando há humidade presente durante o cozinhado.
- 6** Certifique-se de que os vedantes da porta e peças adjacentes são mantidos limpos, utilizando um pano húmido para o efeito. Se o vedante da porta estiver danificado de alguma forma, o forno não deve ser utilizado até ter sido reparado por um técnico autorizado pela Kenwood.
- 7** É necessário, ocasionalmente, retirar o prato de vidro para o limpar. Lave o prato em água quente com detergente e depois enxagúe-o e seque-o bem.
- 8** O anel de roletes e a superfície do fundo do forno devem ser limpos com regularidade para evitar ruído excessivo. Limpe simplesmente a superfície do fundo do forno com uma solução de detergente suave e seque-a completamente com um pano suave. O anel de roletes pode ser lavado numa solução de detergente suave, enxaguado e bem seco. Tenha o cuidado de tornar a colocar o anel de roletes na posição correcta.
- 9** Remova odores do seu forno misturando uma chávena de água com o sumo e casca de um limão numa taça funda que possa ir ao microondas. Introduza a taça com a mistura no microondas, faça-o funcionar por 5 minutos e limpe o interior do forno com um pano seco.
- 10** Inspeccione regularmente o forno para ver se apresenta sinais de corrosão, em especial em volta da porta. Se encontrar alguns sinais de corrosão, providencie a reparação do aparelho.

## ASSISTÊNCIA TÉCNICA

Se o forno ou o cabo eléctrico estiverem danificados de qualquer forma ou se for necessário substituir a luz do forno ou repará-lo, por razões de segurança, este trabalho deve ser efectuado num posto de assistência técnica autorizado.

### ***Antes de solicitar assistência, por favor verifique o seguinte:***

- 1** Se o forno não trabalhar de todo e o visor não aparecer ou desaparecer: verifique se o forno tem a ficha ligada à corrente e se está ligado no interruptor. Se estiver, desligue-o e verifique se o fusível da ficha está a funcionar. Se necessário, experimente ligar o aparelho noutra tomada.
- 2** Se o microondas não funcionar, certifique-se de que o temporizador está ajustado. Verifique também se a porta está devidamente fechada para que os entrelbloqueios de segurança encaixem completamente. Se isto não acontecer, o forno não funcionará.
- 3** Verifique se o fecho à prova de crianças aparece no visor. Se for o caso, desactive-o.

### ***Se nenhuma das medidas acima mencionadas rectificar a situação, contacte:***

O posto de assistência mais próximo da sua residência para se aconselhar sobre o que deve fazer.

## ESPECIFICAÇÕES

Consumo de Energia: . . . . .230V – 50 Hz, 1400W

Potência: . . . . .900 W

Dimensões Exteriores: . . . . .305 mm (A) x 525 mm (L) x 455 mm (P)

Dimensões da Cavidade do Forno: . . . . .219 mm (A) x 350 mm (L) x 384 mm (P)

Capacidade do Forno: . . . . .30 Litros

Uniformidade da Cozedura: . . . . .Prato Giratório (314 mm)

Peso Líquido: . . . . .Aprox. 22 kg

## المواصفات

استهلاك الكهرباء	٢٣٠ فولت - ٥٠ هرتز - ١٤٠٠ وات
الخرج	٩٠٠ وات
الابعاد الخارجية	٣٠٥ ملم (ارتفاع) x ٥٢٥ ملم (عرض) x ٤٥٥ ملم (عمق)
ابعاد تجويف الفرن	٢١٩ ملم (ارتفاع) x ٣٥٠ ملم (عرض) x ٣٨٤ ملم (عمق)
سعة الفرن	٣٠ لتر
انتظام الطبخ	قرص دوّار
الوزن الصافي	٢٢ كجم تقريبا

## الخدمة

إذا تضرر الفرن أو سلك الكهرباء بأي شكل من الأشكال، أو إذا أصبح من اللازم استبدال مصباح الفرن أو إصلاح الفرن فيجب، لأسباب تتعلق بالسلامة، إجراء ذلك من قبل كينوود أو جهة تصليح مخولة من قبل كينوود.

وقبل طلب المساعدة الرجاء الكشف على ما يلي:

- ١ إذا لم يشتغل الفرن على لاطلاق ولم يظهر شيء على لوحة العرض، أو اختفت اللوحة- اكشف للتأكد من ان الفرن موصولاً بالكهرباء وقد تم تشغيله. إذا كان الأمر هكذا، اوقفه واكشف للتأكد من سلامة الفيوز الموجود في القابس. إذا لزم الأمر، جرب تشغيل الفرن من مقبس آخر.
- ٢ إذا لم يؤد الفرن وظيفته، اكشف للتأكد من ان جهاز التوقيت مضبوطاً. وكذلك اكشف للتأكد من ان الباب مغلق بشكل صحيح بحيث تكون ترابطات الامان معشقة تماماً. إذا لم تكن كذلك فسوف لا يشتغل الفرن.
- ٣ اكشف للتأكد من ان القفل المضاد لعبث الاطفال غير ظاهر على لوحة العرض. إذا كان ظاهراً، اوقف تشغيل هذه الميزة.

إذا لم تؤد اي من التدابير الواردة اعلاه الى تصحيح الوضع، الرجاء الاتصال ب:

المتجر الذي اشتريتم منه الجهاز- وسوف يتولى نصحكم.

## العناية والتنظيف

- ١ اوقف تشغيل الفرن وافصل القابس من الكهرباء قبل التنظيف.
- ٢ حافظ على داخل الفرن نظيفاً بمسحة بقطعة قماش رطبة. اذا كان الفرن شديد الاتساخ فيمكن استعمال محلول تنظيف طري. لا تستعمل مواد تنظيف قاسية او شديدة لان من شأن ذلك الحاق الضرر بالفرن. لا تستعمل سكين او اي نوع اخر من ادوات الكشط لازالة الطعام المتبقي في هذا الفرن.
- ٣ يمكن تنظيف الجزء الخارجي من الفرن بقطعة قماش رطبة ساخنة.
- ٤ ابق لوحة التحكم بدون الكثير من الرطوبة. تنظف فقط بقطعة قماش ناعمة رطبة ولا تستعمل المنظفات او وسائل التنظيف الاكالة.
- ٥ اذا تراكم البخار المتكاثف داخل الفرن او حول جوانبه الخارجية، يمسح بقطعة قماش رطبة لاجل تنظيفه، ان التكاثر هو امر طبيعي تماما ويتكون من الرطوبة الموجودة في الطعام.
- ٦ يجب ضمان بقاء اطواق احكام سد الباب والاجزاء المجاورة نظيفة وذلك بمسحها بقطعة قماش رطبة. اذا تضرر طوق احكام سد الباب بأي شكل من الاشكال فلا يجوز استعمال الفرن الى حين اصلاحه من قبل جهة تصليح مخولة من قبل كينوود.
- ٧ يلزم، من حين الى اخر، اخراج الصينية الزجاجية لغرض التنظيف. تغسل الصينية بمحلول ماء وصابون ساخن، ثم تشطف وتجفف تماما.
- ٨ يجب تنظيف الحلقة الدوارة والسطح الاسفل للفرن على انتظام لتجنب تولد ضوضاء زائدة. ببساطة يمسح السطح الاسفل للفرن باستعمال مادة تنظيف طرية ويجفف تماما بقطعة قماش ناعمة. يمكن غسل الحلقة الدوارة بمحلول صابون طري وماء ثم شطفها وتجفيفها جيدا. تأكد من اعادة الحلقة الدوارة الى مكانها الصحيح.
- ٩ تزال الروائح من الفرن بمزج قرح من الماء مع عصير ليمونة وقشرتها ووضع المزيج في وعاء عميق قابل للاستعمال في افران الميكروويف. يشغل الميكروويف لمدة ٥ دقائق ثم يمسح داخل الفرن بقطعة قماش جافة.
- ١٠ يفحص الفرن على انتظام بحثا عن علامات التآكل - خصوصا حول الباب. اذا عثرتم على اية علامات تآكل، فيجب الترتيب لخدمة الجهاز.



## ساعة التوقيت

يمكن استعمال الفرن كساعة توقيت قائمة بذاتها.

- لضبط ساعة التوقيت، اضغط زر الساعة/تجهاز التوقيت (CLOCK, TIMER) لمدة ٣ ثوان.
- ابرم قرص التوقيت الى مدة الطبخ المطلوبة.
- اضغط زر بدء التشغيل. سوف يصدر صوت تنبه طويل في نهاية مدة العد التنازلي.



مثال: وقد انتقيت فيه مدة عد تنازلي مقدارها دقيقة واحدة.

- ان المدة القصوى التي يمكن ضبطها هي ٩٥ دقيقة.
- المس زر الساعة-تجهاز التوقيت ثم زر اعادة الضبط لالغاء عمل جهاز التوقيت.
- لمشاهدة مدة العد التنازلي اضغط زر الساعة/تجهاز التوقيت لمدة ٣ ثوان.

## القفل المضاد لعبث الاطفال

تضمن ميزة الامان هذه عدم امكانية فتح الفرن من قبل الاطفال بدون اشراف. وسوف لا يشتغل الفرن عند ضبط القفل المضاد لعبث الاطفال على الرغم من استمرار امكانية فتح الباب.



- لضبط القفل، ابق زر اعادة الضبط مضغوطة للأسفل لمدة ٣ ثوان. سوف يصدر صوت تنبيه وتظهر كلمة "قفل" (lock) في لوحة العرض.

- لالغاء القفل، اضغط زر اعادة الضبط وابقه هكذا لمدة ٣ ثوان.

## الغاء البرنامج

- اضغط زر الايقاف او افتح الباب. يمكنكم اعادة تشغيل الفرن بالضغط على زر بدء التشغيل.
- اضغط زر اعادة الضبط لالغاء البرنامج.

## ٠٤ اعادة التسخين

الكمية	اضغط زر .ADJ	مدة الطبخ
١	مرة	٣ دقائق و ٤٠ ثانية

## ٠٥ البتزا

الكمية	اضغط زر .ADJ	مدة الطبخ
صغيرة	مرة	دقيقة و ١٠ ثوان
كبيرة	مرتين	٣ دقائق و ٣٠ ثانية

## ٠٦ الكباب

الوزن	اضغط الزر .ADJ	مدة الطبخ
١٥٠ جم (٦ اونصة)	مرة	١٢ دقيقة
٢٧٥ جم (١١ اونصة)	مرتين	١٥ دقيقة
٥٢٥ جم (١ باوند و ٣ اونصة)	٣ مرات	٢٣ دقيقة
٧٥٠ جم (١ باوند و ١٢ اونصة)	٤ مرات	٣٠ دقيقة

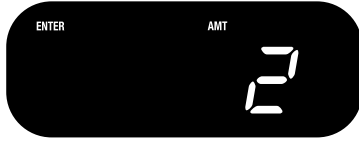
● سوف يطلق صوت تنبيه في منتصف مدة الطبخ لتذكيركم لتقليب الكباب.

## ٠٧ الكعك

الكمية	اضغط زر .ADJ	مدة الطبخ
١	مرة	٤٠ دقيقة

- لاعادة ضبط مدة طبخ الكعك (CAKE) ابرم قرص التوقيت المدرج الى النقطة "٠٧" ولحين ظهور كلمة "كود". اضغط الزر .ADJ. لمرتين. ابرم قرص التوقيت لانتقاء مدة جديدة. اضغط زر بدء التشغيل.
- ستبقى المدة الجديدة نافذة المفعول الى حين اعادة الضبط مرة اخرى.

● اضغط زر ADJ. لانتقاء الكمية والوزن والمدة اللازمة.



مثال: ٠١ بطاطس بالفرن، وقد تم ضغط الزر ADJ. لمرتين لانتقاء مدة الطبخ كي تكون ٩ دقائق و ٤٠ ثانية.

● اضغط زر بدء التشغيل.

### ١٠ بطاطس بالفرن

الكمية	اضغط زر ADJ.	مدة الطبخ
١	مرة	٥ دقائق و ٤٠ ثانية
٢	مرتين	٩ دقائق و ٤٠ ثانية
٣	٣ مرات	١٣ دقيقة
٤	٤ مرات	١٧ دقيقة

● دع الطعام يبرد لمدة ٥-١٠ دقائق بعد انتهاء برنامج الطبخ.

### ٠٢ المشروبات

الكمية	اضغط زر ADJ.	مدة الطبخ
١	مرة	٢ دقيقة و ٢٠ ثانية
٢	مرتين	٤ دقائق
٣	٣ مرات	٥ دقائق و ٤٠ ثانية
٤	٤ مرات	٧ دقائق و ٢٠ ثانية

● يجب توخي الحذر عند اخراج السوائل الساخنة من الفرن. دعها تترك لبضع دقائق وحرك لتوزيع الحرارة بانتظام.

### ٠٣ الذرة المحمص (بوب كورن)

الكمية	اضغط زر ADJ.	مدة الطبخ
١	مرة	٢ دقيقة و ٣٠ ثانية

- لاعادة ضبط مدة اعداد البوب كورن ابرم قرص التوقيت الى النقطة "٠٣" واي حين عرض كلمة "كود". اضغط زر ADJ. لمرتين. ابرم قرص التوقيت لانتقاء مدة الطبخ اللازمة. ثم اضغط زر بدء التشغيل.
- سوف تبقى المدة الجديدة نافذة الى حين اعادة الضبط ثانية.



● اضغط زر الطبخ الحراري لضبط درجة الحرارة.



● ابرم قرص التوقيت لاختيار مدة الطبخ المطلوبة.

مثال: درجة حرارة الطبخ الحراري  
وقد ضبطت على ٢٠٠ (م) لمدة ٥٠ دقيقة.

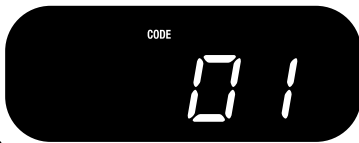
● اضغط زر بدء التشغيل.

● ملاحظة: يمكن انتقاء وظيفة التدوير فقط قبل مرحلة الطبخ.

### اختيارات الضبط الاوتوماتيكي

ان اختيارات الضبط الاوتوماتيكي (AUTO MENU) تمكنكم من طبخ او اعادة تسخين الطعام اوتوماتيكيا بدون الحاجة الى ضبط مستوى الطاقة او الوقت.

● ابرم قرص التوقيت حتى يظهر الرقم الرمزي للطعام المطلوب وعرض كلمة "كود".



مثال: وقد تم انتقاء ٠١ للبطاطس بالفرن.

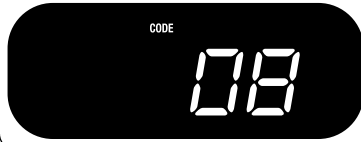
نوع الطعام	الكود
بطاطس بالفرن ١٢٥ جم - ١٧٥ جم (٧-٥ اونصة)	٠١
مشروبات	٠٢
نرة محمص (بوب كورن)	٠٣
اعادة تسخين	٠٤
بيتزا	٠٥
الكباب	٠٦
الكعك	٠٧

- عند تذييب طعام موضوع في اغلفة بلاستيكية غير قابلة للاستعمال في افران الميكروويف، تنفذ عملية التذييب فقط بعد ازالة الطعام من الغلاف البلاستيكي ووضعه في طبق مناسب للاستعمال في الميكروويف.
- مدة التذييب القصوى هي ٤٥ دقيقة.

## الطبخ المبرمج

يمكن ضبط الفرن لتنفيذ برنامج مكون من ثلاث خطوات.

فهو يستطيع، على سبيل المثال، القيام بالتذويب ثم الطهي بالميكروويف والانتهاء بالطبخ الحراري كما يلي:



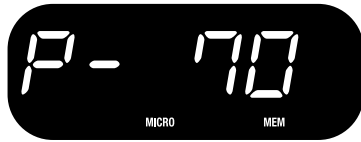
مثال: ابرم قرص التوقيت الى النقطة "٠.٨"  
وسوف تعرض كلمة "كود"

- اضغط الزر ADJ... ثم ابرم قرص التوقيت لاختيار مدة التذويب المطلوبة.



مثال: تم ضبط مدة التذويب على ٥٠ ثانية.

- اضغط زر الميكروويف لضبط مستوى الطاقة.
- ابرم قرص التوقيت لاختيار مدة الطبخ المطلوبة.



مثال: ضبط الميكروويف على ٧٠٪ من الطاقة لمدة ١ دقيقة.





● ابرم قرص التوقيت الى مدة الطبخ المطلوبة. اضغط زر بدء التشغيل. سوف يطلق الفرن صوت تنبيه ٤ مرات عند انتهاء مدة الطبخ وتظهر الكلمة "النهاية" على لوحة العرض.

- ان مدة الطبخ القصوى هي ٩.٥ ساعة.
- يمكن الكشف على درجة الحرارة اثناء دورة الطبخ بضغظ زر الطبخ الحراري + الميكروويف.
- قبل البدء بعملية طبخ اخرى، يجب الغاء البرنامج بضغظ زر الايقاف/اعادة الضبط.

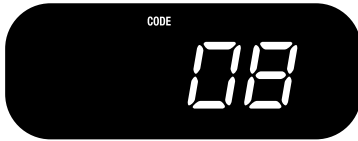


● مثال: تم انتقاء الانتلاف رقم ٢ (٢٠٠م).

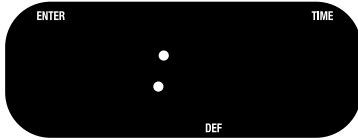


● مثال: ثم مدة طبخ تبلغ ١ ساعة و ٣٠ دقيقة.

### التذويب السريع (ADJ).



● ابرم قرص التوقيت الى النقطة "٠٨" وسوف تعرض كلمة "كود" (CODE).



● اضغط زر التعديل (ADJ). وسوف تظهر كلمة تذويب (DEF) على لوحة العرض.

- ابرم قرص التوقيت لانتقاء مدة التذويب المرغوبة.
- اضغط زر بدء التشغيل. سوف يطلق الفرن ٤ اصوات تنبيه في نهاية دورة التذويب وتظهر كلمة "النهاية" على لوحة العرض.
- اضغط زر اعادة الضبط او افتح الباب لالغاء البرنامج.
- بالنسبة الى المواد النيئة او المواد المجمدة المطبوخة مسبقا، اصف ٥ دقائق تقريبا لكل باوند.

## التسخين الحراري المسبق

يمكن برمجة الفرن لدمج التسخين المسبق مع الطبخ الحراري.

● اضغط زر الطبخ الحراري لانتقاء درجة حرارة التسخين المسبق المطلوبة.



● اضغط زر بدء التشغيل، ٣٠ دقيقة و " التسخين المسبق " عندها ستظهر وتومض العلامة (PREH) على لوحة العرض. وعندما يصل الفرن الى درجة الحرارة المطلوبة، سوف يطلق الفرن صوت تنبيه وتتوقف علامة (PREH) عن الوميض في لوحة العرض.

● افتح الباب وضع الطعام الواجب طهيهِ في الفرن.  
● ابرم قرص التوقيت الى مدة الطبخ المطلوبة. اضغط زر بدء التشغيل.

## الطبخ الحراري وبالميكروويف

للفرن ٤ نقاط ضبط مسبقة البرمجة والتي تجمع التسخين الحراري مع الميكروويف.

● ملاحظة هامة: يجب عدم استعمال الاطباق المصنوعة من بلاستيك قابل للاستعمال في افران الميكروويف اثناء التشغيل بالنمط المشترك.



● اضغط زر الطبخ الحراري + ميكروويف (CONVECTION + MICROWAVE) لانتقاء درجة الحرارة.

اقتلاف رقم	اضغط	درجة الحرارة (م)
١	مرة	٢٣٠
٢	مرتين	٢٠٠
٣	٣ مرات	١٨٠
٤	٤ مرات	١٥٠

درجة الحرارة (م)	اضغط
٢٣٠	مرة واحدة
٢١٥	مرتين
٢٠٠	٣ مرات
١٨٥	٤ مرات
١٧٠	٥ مرات
١٥٥	٦ مرات
١٤٠	٧ مرات
١٢٥	٨ مرات
١١٠	٩ مرات
٩٥	١٠ مرات



● ابرم قرص التوقيت لضبط مدة الطبخ اللازمة.

● اضغط زر بدء التشغيل للمباشرة بالطبخ. سوف يطلق الفرن صوت تنبيه ٤ مرات عند انتهاء مدة الطبخ المقررة وتظهر الكلمة "النهاية" على لوحة العرض.



مثال: تم ضغط زر الحمل الحراري ٤ مرات لضبط درجة الحرارة على ١٨٥ درجة مئوية.



● مثال: تم ضبط الوقت على ساعة واحدة و ٣٠ دقيقة.

● يمكن الكشف على درجة الحرارة اثناء دورة الطبخ بضغط زر الحمل الحراري.

● قبل البدء بعملية طبخ اخرى، يجب الغاء البرنامج بضغط زر الايقافتعادة الضبط.



- ينتقى الائتلاف المرغوب بضغط زر الشواية+ميكروويف (GRILL+MICROWAVE) :-

اضغط لمرة واحدة لانتقاء الائتلاف ١  
اضغط لمرتين لانتقاء الائتلاف ٢

مثال: تم انتقاء الائتلاف ١ .



- ابرم قرص التوقيت ( TIME MENU ) واضغط زر بدء التشغيل لمباشرة عملية الطبخ.

مثال: تم انتقاء ٥ دقائق



- ان مدة الطبخ القصوى الممكن ضبطها هي ٩٥ دقيقة.
- ملاحظة هامة: ان الاطباق المصنوعة من بلاستيك قابل للاستعمال في افران الميكروويف يجب ان لا تستعمل في نمط التشغيل المشترك.

### الطبخ الحراري (Convection)

اثناء الطبخ بالحمل الحراري يتم دوران الهواء الساخن في الفرن لاجل تحمير الطعام وجعله هشاً بسرعة وانتظام. يمكن برمجة ١٠ درجات حرارة مختلفة للطبخ ولغاية ٩.٥ ساعة.

- ملاحظة هامة: ان الاطباق المصنوعة من بلاستيك قابل للاستعمال في افران الميكروويف يجب ان لا تستعمل في نمط التشغيل المشترك.

- اضغط زر الحمل الحراري (CONVECTION) لانتقاء درجة الحرارة.

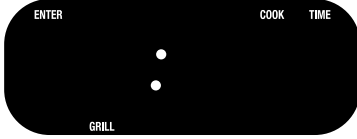


## الشواية

يمكن استعمال الشواية بمفردها او بالاقتران مع فرن الميكروويف. تستعمل الشواية لطبخ شرائح اللحم والاضلاع والكباب والسجق والبرجر. الخ.

املاحة هامة: لا يجوز استعمال الاطباق المصنوعة من بلاستيك قابل للاستعمال مع الميكروويف عند استعمال نمط الشواء.

- لاستعمال الشواية بمفردها، يوضع الطعام اولاً في طبق مناسب ويدخل في الفرن.
- اضغط زر الشواء (GRILL).



- ابرم قرص التوقيت لانتقاء مدة الشواء الازمة، ثم اضغط زر بدء التشغيل..



مثال: جرى انتقاء مدة الشواء لتكون لدقيقتين.

- ان مدة الشواء القصوى الممكن ضبطها هي ٩٥ دقيقة.
- اثناء الشواء تكون طاقة الطبخ في مستواها الاقصى.

## الطبخ المشترك (المؤتلف)

يمكن استعمال الشواية وفرن الميكروويف معا لطبخ وتسخين الطعام لضمان الطبخ والتحمير الصحيح للطعام. ويتم تنفيذ هذا الامر بموجب توزيع وقت الطبخ بين الطريقتين، مثلاً، يقوم الفرن بطبخ مادة ما لفترة ٧٠٪ من وقت الطبخ المقرر وتشتغل الشواية اثناء ال ٣٠٪ المتبقية الى حين انتهاء دورة الطبخ ١٠٠٪.

مثال:

- الإختلاف ١ - ٣٠٪ من الوقت للمكروويف + ٧٠٪ من الوقت للشواء - ينصح باستعمال هذا الترتيب للاسماك واطباق الاطعمة المكسوة بكسر الخبز.
- الإختلاف ٢ - ٥٥٪ من الوقت للميكروويف + ٤٥٪ من الوقت للشواء - ينصح باستعمال هذا الترتيب للبطاطس وانواع الحلوى (Puddings) والدواجن.



- ابرم قرص التوقيت لضبط مدة الطبخ المطلوبة.  
سوف يضاء زر بدء التشغيل ويومض.



- اضغط زر بدء التشغيل (START) لمباشرة الطبخ.  
سوف يطلق الفرن صوت تنبيه ٤ مرات عند انتهاء  
مدة الطبخ وسوف تظهر كلمة "النهاية" (END)  
على لوحة العرض.

- اذا رغبتم بوقف الطبخ في اية مرحلة:
  - اضغط زر الايقافتاعادة الضبط (STOP/RESET) مرة واحدة لوقف الطبخ مؤقتا.
  - اضغط زر بدء التشغيل لاعادة بدء مدة الطبخ.
  - اضغط زر الايقافتاعادة الضبط مرتين لالغاء برنامج الطبخ.
- يمكن الكشف على مستوى الطاقة اثناء دورة الطبخ عبر ضغط زر الميكروويف. سوف يعرض مستوى الطاقة لمدة ٥ ثوان.
- قبل بدء عملية طبخ اخرى، يجب الغاء البرنامج عبر الضغط على زر الايقافتاعادة الضبط.

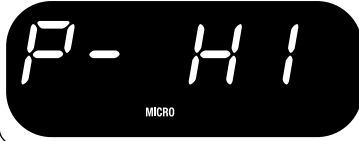
## البدء السريع

تستعمل هذه الميزة لبرمجة الفرن لطبخ الطعام بالميكروويف على مستوى الطاقة ١٠٠٪.

- اضغط زر بدء التشغيل بتتابع سريع لضبط مدة الطبخ. ان المدة القصوى التي يمكن ضبطها هي ١٠ دقائق.
- سوف يبدأ الفرن بالعمل تلقائيا بعد ٢ ثانية.
- سوف يطلق الفرن صوت تنبيه ٤ مرات عند انتهاء مدة الطبخ وسوف تظهر كلمة "النهاية" (END) على لوحة العرض.

## ضبط مدة الطبخ ومستوى الطاقة

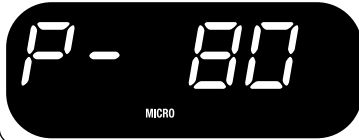
ملاحظة هامة: تستعمل فقط اطباق من الزجاج المقاوم للحرارة والخزف المقاوم للحرارة والبلاستيك القابل للاستعمال في الميكروويف عند الطبخ بالميكروويف.



● اضغط زر الميكروويف.

سوف تظهر على شاشة العرض علامة P-HI And micro

● اضغط زر الميكروويف لضبط مستوى الطاقة اللازم. يقوم الفرن تلقائيا بالطبخ على درجة الطاقة المرتفعة ما لم يتم ضبطه خلافا لذلك.



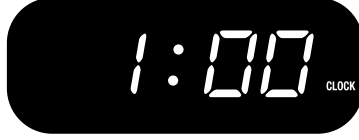
مثال: تم ضبط زر الميكروويف ٣ مرات لضبط مستوى الطاقة على ٨٠٪.

مستوى الطاقة	اضغط
١٠٪ مرتفع	مرة
٩٪	مرتين
٨٪	٣ مرات
٧٪ متوسط الارتفاع	٤ مرات
٦٪	٥ مرات
٥٪ متوسط	٦ مرات
٤٪	٧ مرات
٣٪ منخفضتذويب	٨ مرات
٢٪	٩ مرات
١٪ منخفض	١٠ مرات

## ضبط واعدادة ضبط الساعة

- اوصل مصدر الكهرباء.

سوف تلاحظ:



- اضغط زر الساعة لتجهيز التوقيت.  
سوف يصدر صوت. ابرم قرص التوقيت حتى تظهر الساعة الصحيحة.



- اضغط زر الساعة لتجهيز التوقيت.  
سوف يصدر صوت. ابرم قرص التوقيت حتى تظهر الدقيقة الصحيحة.

- اضغط زر الساعة لتجهيز التوقيت لتأكيد ضبط الوقت.

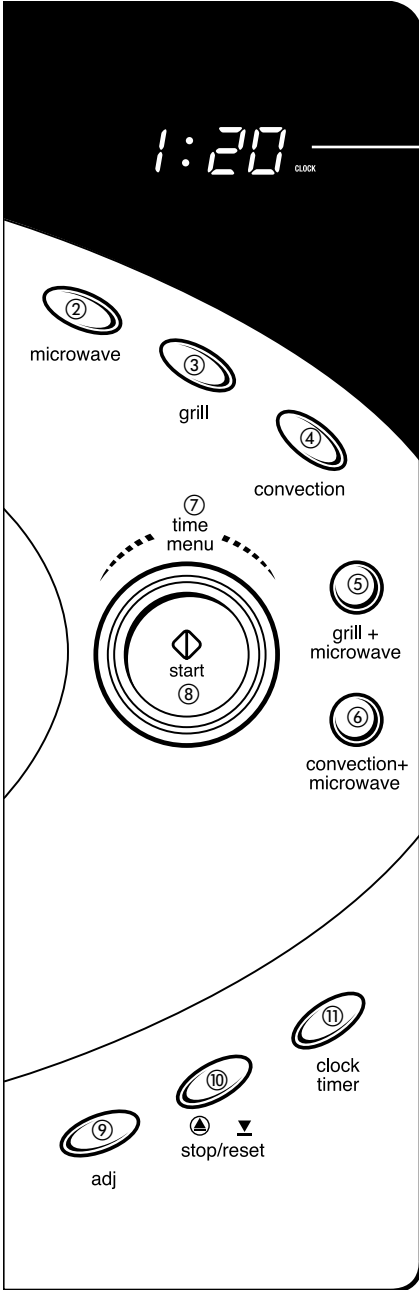


- يجب ان يظهر التوقيت الصحيح الآن على الشاشة.  
اذا لم يكن الامر كذلك، اضغط زر الساعة لتجهيز التوقيت وحاول ثانية.

- سوف تضيء وتنطفئ النقطتان بين ثانية واخرى.

- يمكن ضبط الساعة لغاية ١٢ ساعة ( ١:٠٠ الى ١٢:٥٩ )

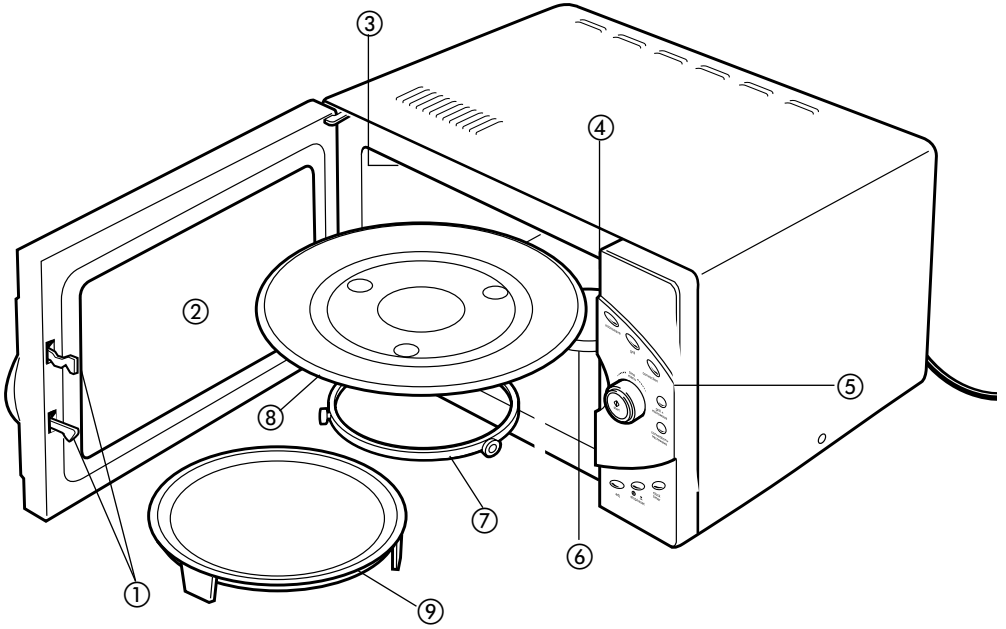
- يمكن معرفة الوقت اثناء دورة الطبخ بضغط زر الساعة لتجهيز التوقيت. سوف يعرض الوقت لمدة ٥ ثوان.



- ① شاشة العرض  
تعرض مدة الطبخ، الطاقة والوقت الحالي.
  - ② ميكروويف (Microwave)  
يضغط لانتقاء مستوى طاقة الميكروويف.
  - ③ الشواية  
يضغط لانتقاء عدد من فترات توقيت عمليات الشواء.
  - ④ الطبخ الحراري (Convection)  
يضغط لبرمجة درجة الحرارة.
  - ⑤ شواية + ميكروويف  
تضغط لانتقاء نقاط ضبط الطهي المؤتلفة المختلفة.
  - ⑥ طبخ حراري + ميكروويف  
تضغط لانتقاء نقاط ضبط الطهي المؤتلفة المختلفة.
  - ⑦ قرص التوقيت (مدرج) (Time Menu)  
يبرم لضبط مدة الطبخ او لانتقاء قائمة الاختيارات الاوتوماتيكية.
  - ⑧ بدء التشغيل  
يضغط لبدء برنامج الطبخ او لضبط برنامج طبخ ابتدائي سريع.
  - ⑨ التعديل (Adj)  
يضغط عند التدوير او لانتقاء اوزان قائمة الاختيارات الاوتوماتيكية او ضبط فترات الطبخ.
  - ⑩ ايقافتاعادة ضبط  
يلمس لوقف برنامج الطبخ والغاء جميع نقاط الضبط السابقة قبل ان يبدأ الطبخ.
  - ⑪ ساعةتجهاز توقيت  
يضغط لضبط الساعة او جهاز التوقيت.
- (الرجاء قراءة الصفحات التالية ايضا للاطلاع على مزيد من التفاصيل).

## كيف تستعمل فرن الميكروويف

إذا انقطعت الكهرباء في أي وقت، فمن اللازم إعادة ضبط الساعة باتباع التعليمات المذكورة على الصفحة ٩٠.



- |   |                     |
|---|---------------------|
| ١ | نظام قفل امان للباب |
| ٢ | نافذة الفرن         |
| ٣ | المسخن              |
| ٤ | منفذ تهوية الفرن    |
| ٥ | لوحة التحكم         |
| ٦ | العمود              |
| ٧ | الحلقة الدوارة      |
| ٨ | صينية زجاجية        |
| ٩ | طبق البيتزا         |

### تحذير: تجنب التعرض الزائد الى طاقة الميكروويف

لا تحاول تشغيل الفرن اثناء كون الباب مفتوحا لان ذلك يمكن ان يؤدي الى التعرض الضار الى طاقة الميكروويف.

لا تعبت بترابطات الامان التي تبقى الباب مغلقا.

لا تشغل الفرن اذا كان متضررا بأي شكل من الاشكال. ومن الهام بشكل خاص اغلاق باب الفرن بشكل مناسب وخلو الباب من اية اضرار، مثل:

١ الباب (انحاء)

٢ المفصلات والمشابك (مكسورة او مفقودة)

٣ اطواق احكام سد الباب.

لا يجوز تعديل او اصلاح الفرن من قبل اي شخص مهما كان باستثناء موظفي الخدمة المؤهلين تماما لهذه الاعمال.

## تعليمات سلامة هامة – تابع

- ١٥ يجب دائما اختبار درجة حرارة الطعام قبل تناوله، خصوصا عند اعداد او تسخين طعام او سوائل للاطفال الرضع. يجب ترك الاطعمة والسوائل عدة دقائق وتحريكها لتوزيع الحرارة بشكل متجانس. تذكر وجوب التحريك باستعمال ادوات غير معدنية لمنع الطعام او السائل من التناثر المفاجئ من الوعاء.
- ١٦ هناك بعض الاطعمة مثل المربي واللحم المفروم وكعك عيد الميلاد تتسخن بسرعة بالغة، ويجب توخي الحذر للتأكد من درجة الحرارة قبل تناولها. عند تسخين او طبخ اطعمة معينة فيها محتوى كبير من السمن او السكر، لا تستعمل اوعية بلاستيكية.
- ١٧ عند استعمال ميزان حرارة، يجب التأكد من كونه من طراز مناسب تحديدا للاستعمال في افران الميكروويف.
- ١٨ لا تحاول اجراء القلي العميق في فرن الميكروويف.
- ١٩ الرجاء التذکر، عند استعمال السوائل، انه على الرغم من كون الوعاء غير ساخن فإن السائل داخله سيكون ساخنا وسوف ينطلق منه البخار او يتناثر كما هو الشأن مع الافران التقليدية. ان تسخين المشروبات في فرن ميكروويف يمكن ان ينتج عنه غليان مفاجئ لاحق، لذلك يجب الانتباه عند مناوله الوعاء.
- ٢٠ تحذير: اذا تضرر الباب او طوق احكام سد الباب فيجب عدم استعمال الفرن الى حين اصلاحه من قبل شخص مؤهل.
- ٢١ تحذير: من الخطر قيام اي شخص، باستثناء شخص مؤهل لمثل هذه الاعمال، القيام بأية عملية خدمة او اصلاح تتضمن ازالة الغطاء الذي يؤمن الحماية من التعرض الى طاقة الميكروويف.

### قبل التوصيل بالكهرباء

- قبل التشغيل، تأكد من ان فولتية الكهرباء لديكم هي ذات القيمة المذكورة على لوحة الاسم.
- يجب تأريض هذا الجهاز.

ملاحظة: ان هذا الجهاز يتطابق مع توجيه التداخل الراديوي للمجموعة الاقتصادية الاوروبية رقم 89/336/EEC.

### التداخل الراديوي

ان تشغيل فرن الميكروويف يمكن ان يسبب التداخل مع عمل الراديو او التلفزيون او ما شابه من المعدات. اذا حصل تداخل، فيمكن تقليله عبر اتخاذ الاجراءات التالية:

- أ) نظف باب الفرن وطوق احكام سد الباب.
- ب) حرك هوائي الراديو او التلفزيون.
- ج) غير مكان الفرن بجعله بعيدا عن جهاز الاستقبال.

### قبل الاستعمال للمرة الاولى

- ١ ازل جميع الملصقات واية مواد تغليف من داخل الفرن.
- ٢ اكتشف على الفرن بحثا عن علامات الضرر، مثل عدم استقامة او تضرر الباب او وجود انبعاث في الداخل او تضرر اطواق احكام السد. لا تستعمل الفرن اذا كان متضررا.
- ٣ لا تضع اي شيء على الفرن.
- ٤ لضمان توفر التهوية الكافية، تترك مسافة ٥ سم عند جانبي الفرن و ١٠ سم خلفه و ٢٠ سم اعلاه، على الاقل.
- ٥ ثبت مسند الحلقة الدوارة والصينية الزجاجي.



## معلومات حول فرن الميكروويف كينود

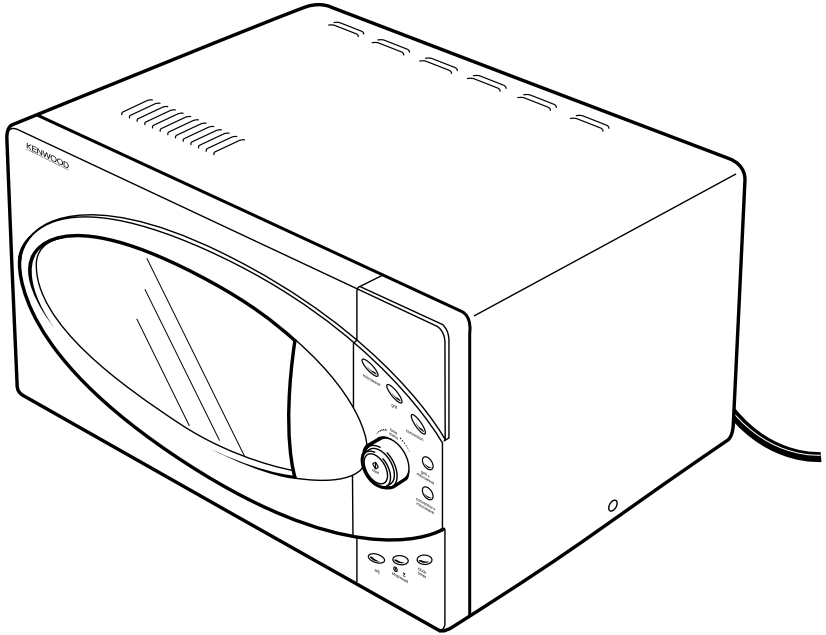
ان فرنكم الجديد العامل بالميكروويف ( بالاشعة الدقيقة) هو من طراز بقدره ٩٠٠ وات وبسعة ٣٠ لتر ا. ويمكن استعماله للتذويب واعادة التسخين والطبخ.

وحفاظا على سلامتكم وسلامة المحيطين بكم، الرجاء قراءة تعليمات السلامة الهامة المدرجة ادناه بكل عناية واهتمام:

### تعليمات سلامة هامة

- ١ تعليمات سلامة هامة. تقرأ بكل عناية ويلزم الاحتفاظ بها كمرجع للمستقبل.
- ٢ لا تستعمل هذا الجهاز، في اي حال من الاحوال، لاي غرض باستثناء الغرض المنزلي المعتزم له.
- ٣ لا تستعمل هذا الجهاز اذا وجد عليه اية علامة ظاهرة تدل على حصول ضرر في الفرن او في سلك الكهرباء او في طوق احكام سد الباب او اذا سقط بطريق الخطأ.
- ٤ لا تغمر هذا الجهاز او سلك الكهرباء او القابس في الماء او في اي سائل اخر.
- ٥ لا تسمح بتدلي سلك الكهرباء من حافة منضدة عمل او بتلامسه مع اسطح ساخنة مثل مواقد الطبخ الغازية او الكهربائية.
- ٦ تحذير: ان الجهاز ليس مصمما للاستعمال من قبل الاطفال او الاشخاص الواهنين بدون اشراف. يسمح للاطفال باستعمال الفرن بدون اشراف فقط بعد تزويدهم بتعليمات وافية بحيث يكون في مستطاع الطفل استعمال الفرن بطريقة امينة ويفهم مخاطر الاستعمال غير الصحيح.
- ٧ تحذير: ان السوائل والاغذية الاخرى يجب ان لا تسخن في اوعية مغلقة لأنها ستكون عرضة الى الانفجار. كما ان البيض بقشرته والبيض المسلوق غير المقشّر يجب ان لا يسخن في فرن الميكروويف لانه قد ينفجر حتى بعد انتهاء عملية التسخين بالميكروويف.
- ٨ لتقليل خطر حصول حريق داخل الفرن، يجب مراقبة الفرن اثناء الاستعمال خصوصا عندما يجري تسخين او طبخ الطعام في اوعية من النوع الذي يرمى بعد الاستعمال والمصنوعة من البلاستيك او الورق او غير ذلك من المواد القابلة للاحتراق.
- ٩ اذا لوحظ وجود الدخان، ابق باب الفرن مغلقا ووقف التشغيل وافصل الجهاز من الكهرباء. اتركه دونما تدخل الى حين انقطاع الدخان تماما.
- ١٠ لا تشغل الفرن عندما يكون فارغا لان من شأن ذلك الحاق ضرر خطير بالفرن.
- ١١ لا تستعمل تجويف الفرن لتخزين اية اشياء.
- ١٢ لا تطبخ اغذية مثل صفار البيض والبطاطس وكبد الدجاج الخ بدون القيام اولا بثقب هذه المواد عدة مرات باستعمال شوكة.
- ١٣ لا تطبخ الطعام مباشرة على الصينية الزجاجية. ضع الطعام في صحن مناسب قبل وضعه في الفرن.
- ١٤ لا تستعمل اوعية معدنية او اطباق ذات مقابض معدنية. لا تستعمل اي شيء له اية اجزاء معدنية او اسلاك ربط بقلب معدني في الفرن. قبل الاستعمال، تأكد من ان الادوات صالحة للاستعمال في افران الميكروويف.

# KENWOOD



## MW761E

الرجاء قراءة هذه التعليمات باكملها بعناية قبل  
تشغيل فرن الميكروويف + شواية

Kenwood Limited  
New Lane, Havant, Hampshire PO9 2NH

Telephone: +44 (0)23 9247 6000 • Facsimile: +44 (0)23 9239 2423

54691/2  
ENGLISH  
FRENCH  
SPANISH  
PORTUGUESE  
ARABIC

## Free Manuals Download Website

<http://myh66.com>

<http://usermanuals.us>

<http://www.somanuals.com>

<http://www.4manuals.cc>

<http://www.manual-lib.com>

<http://www.404manual.com>

<http://www.luxmanual.com>

<http://aubethermostatmanual.com>

Golf course search by state

<http://golfingnear.com>

Email search by domain

<http://emailbydomain.com>

Auto manuals search

<http://auto.somanuals.com>

TV manuals search

<http://tv.somanuals.com>