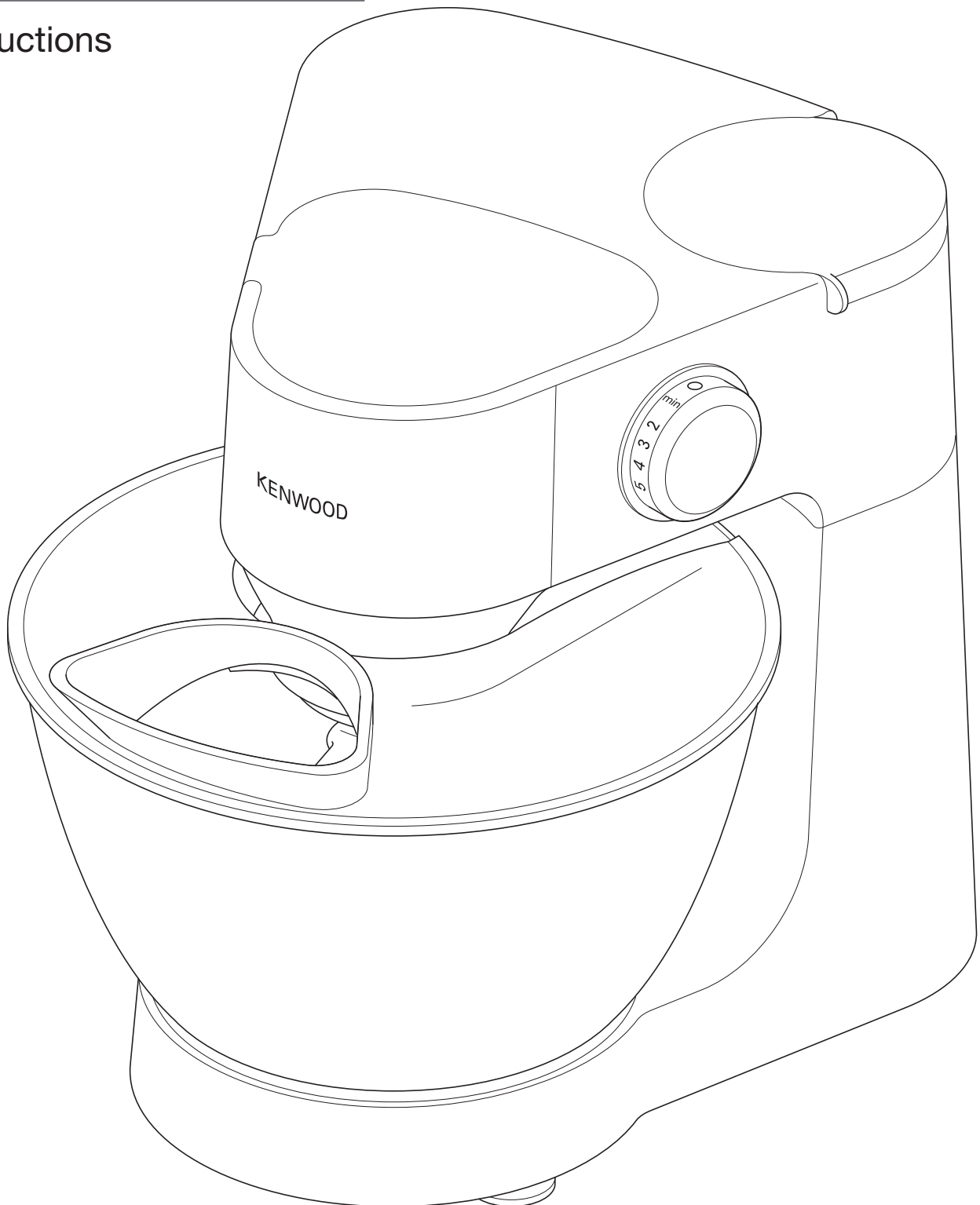


# KENWOOD

## KM280 series

instructions

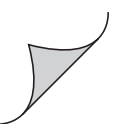


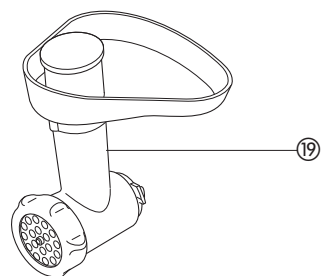
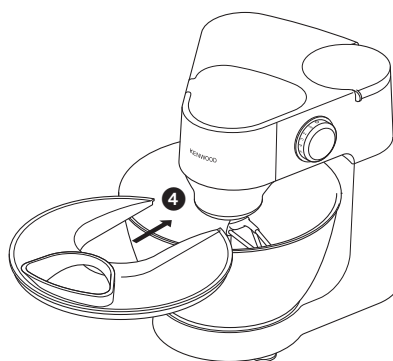
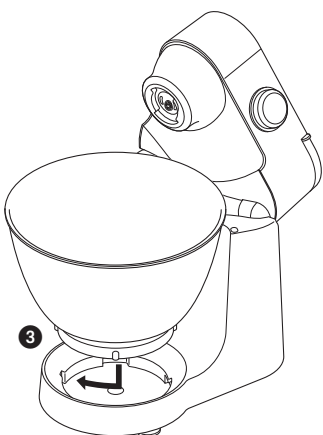
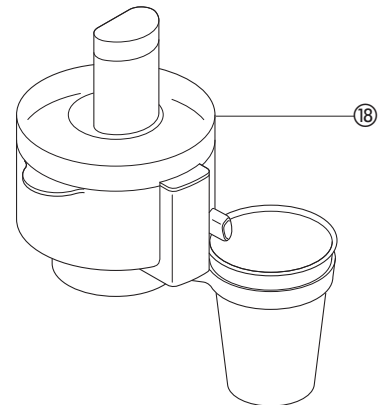
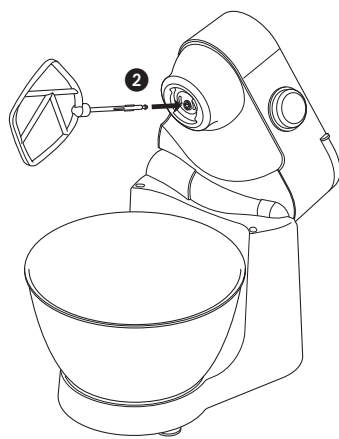
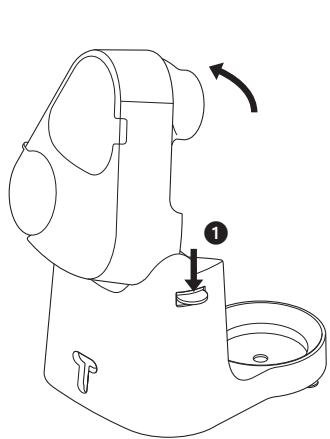
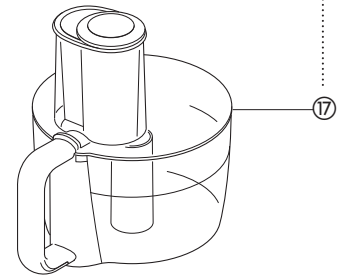
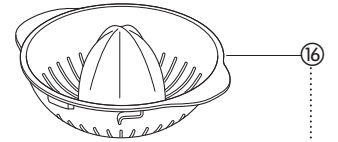
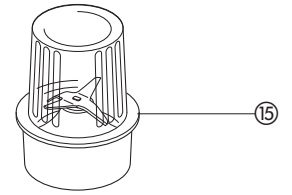
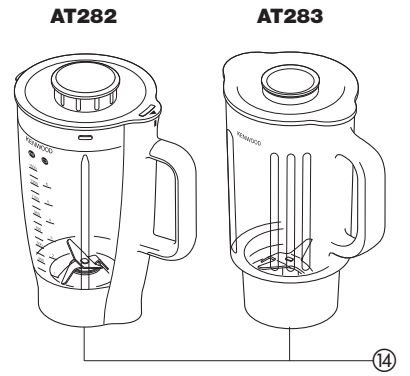
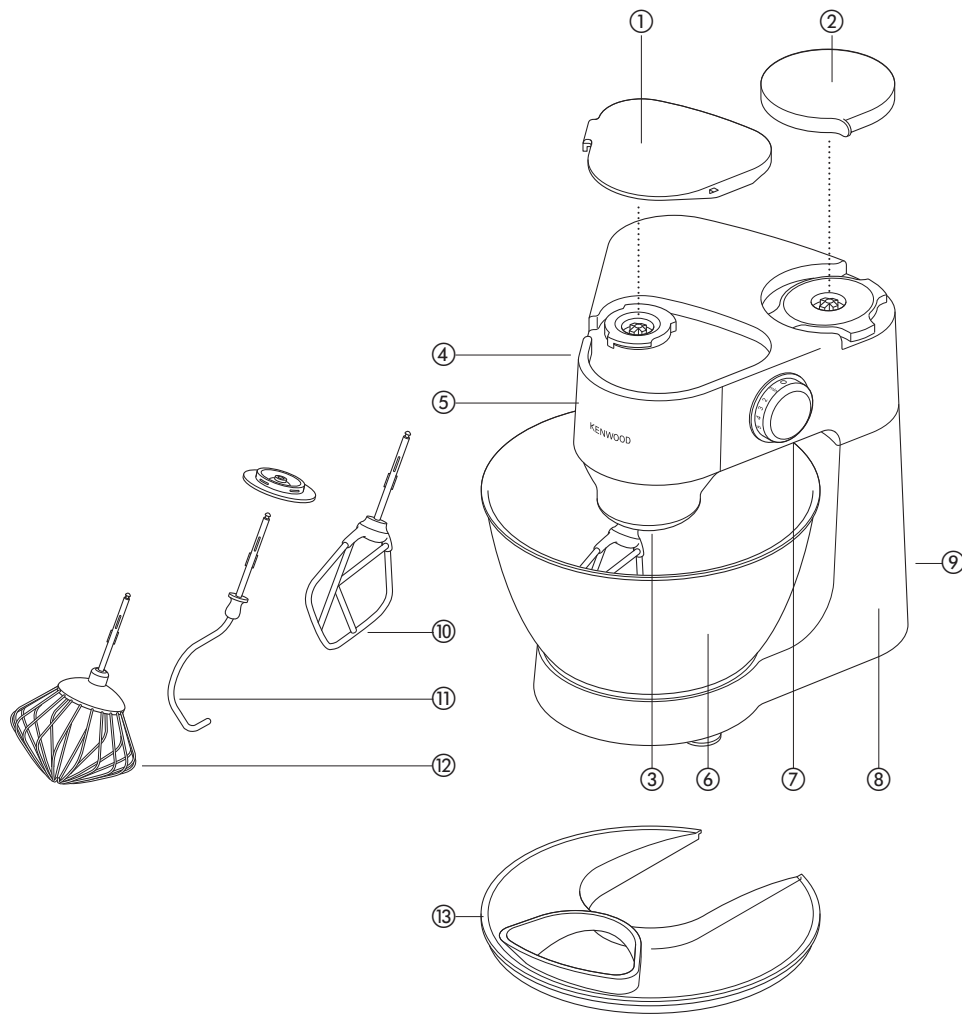
**English**

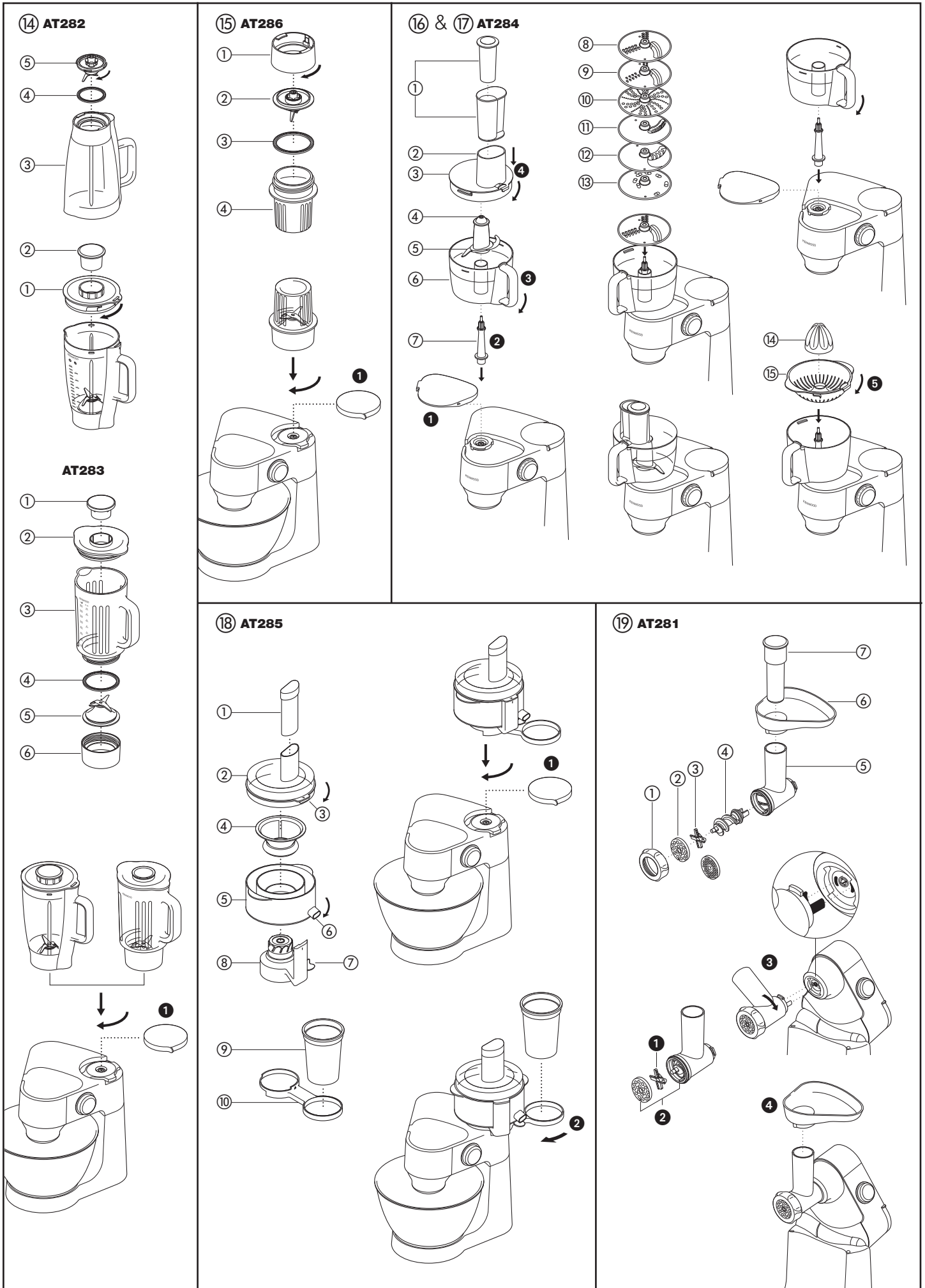
**2 - 8**

عربي

١٦ - ١٠







### before using your Kenwood appliance/attachments

- Read these instructions carefully and retain for future reference.
- Remove all packaging and any labels.
- Wash the parts: see 'care and cleaning'.
- Push excess cord in the cord storage compartment in the back of the appliance.

### safety

- Switch off and unplug before fitting or removing tools and attachments, after use and before cleaning.
- Never let the cord hang down where a child could grab it.
- Keep your fingers away from moving parts and fitted tools/attachments. Never put your fingers etc in the hinge mechanism.
- Never leave the appliance unattended when it is operating.
- Never use a damaged appliance or attachment. Get it checked or repaired: see 'service and customer care'.
- Never let the power unit, cord or plug get wet.
- Never use an unauthorised attachment or more than one attachment at a time.
- When using an attachment also read the safety information included in this manual relating to that particular product.
- Never exceed the maximum capacities.
- Take care when lifting this appliance. Ensure the head is locked and that the bowl, tools, and cord are secure before lifting.
- This appliance is not intended for use by persons (including children) with reduced physical, sensory or mental capabilities, or lack of experience and knowledge, unless they have been given supervision or instruction concerning use of the appliance by a person responsible for their safety.
- Children should be supervised to ensure that they do not play with the appliance.
- Only use the appliance for its intended domestic use. Kenwood will not accept any liability if the appliance is subject to improper use, or failure to comply with these instructions.

### before plugging in

- Make sure your electricity supply is the same as the one shown on the underside of your appliance.

### important - UK only

- The wires in the cord are coloured as follows:  
Blue = Neutral,  
Brown = Live.
- The appliance must be protected by a 13A approved (BS1362) fuse.

### Note:

- For non-rewireable plugs the fuse cover MUST be refitted when replacing the fuse. If the fuse cover is lost then the plug must not be used until a replacement can be obtained. The correct fuse cover is identified by colour and a replacement may be obtained from your Kenwood Authorised Repairer (see Service).
- If a non-rewireable plug is cut off it must be DESTROYED IMMEDIATELY. An electric shock hazard may arise if an unwanted non-rewireable plug is inadvertently inserted into a 13A socket outlet.
- This appliance conforms to EC directive 2004/108/EC on Electromagnetic Compatibility and EC regulation no. 1935/2004 of 27/10/2004 on materials intended for contact with food.

### key

#### kitchen machine

- ① medium speed outlet
- ② high speed outlet
- ③ tool socket
- ④ head release lever
- ⑤ mixer head
- ⑥ bowl
- ⑦ on/off and speed switch
- ⑧ power unit
- ⑨ cord storage compartment
- ⑩ beater
- ⑪ dough hook with removable guard
- ⑫ whisk
- ⑬ splashguard

#### attachments

Not all of the attachments listed will necessarily be included with your kitchen machine. Attachments are dependent upon the model variant.

- ⑭ blender (AT282 and AT283)
- ⑮ mill (AT286)
- ⑯ citrus press
- ⑰ food processor (AT284)
- ⑱ centrifugal juicer (AT285)
- ⑲ multi food grinder (AT281)

### the mixing tools and some of their uses

#### beater

- For making cakes, biscuits, pastry, icing, fillings, éclairs and mashed potato.

#### whisk

- For eggs, cream, batters, fatless sponges, meringues, cheesecakes, mousses, soufflés. Don't use the whisk for heavy mixtures (eg creaming fat and sugar) - you could damage it.

#### dough hook

- For yeast mixtures.

### to use your mixer

- 1 Press down on the head release lever ① and raise the mixer head until it locks into position.
- 2 Select a tool and push into the tool socket ②.
  - Always ensure the guard is fitted onto the shaft of the dough hook before inserting into the outlet. Once inserted fit the guard to the mixer outlet to prevent food ingress.
- 3 Fit the bowl into the base and turn clockwise to lock into position ③.
- 4 Press down on the head release lever and lower the mixer head until it locks into position.
- 5 Plug into the power supply then switch on and turn the speed switch to the desired setting. To switch off turn to '0'.
  - Switch to pulse Ⓟ for short bursts
- 6 Unplug from the power supply.
- 7 Raise the mixer head and whilst holding it steady, pull the tool from the outlet.

#### important

- **Some movement of the mixer head is normal when mixing heavy loads such as bread dough.**
  - If the mixer head is raised during operation, the machine will stop working straight away. To re-start the mixer, lower the mixer head, turn the speed switch to the off position, wait a few seconds and then re-select the speed. The mixer should resume operating straight away.
  - If for any reason power to the mixer is interrupted and the machine stops working, turn the speed switch to the off position, wait a few seconds and then re-select the speed. The mixer should resume operating straight away.
- **The mixer will not operate unless all the outlet covers are correctly fitted to the machine.**
  - If you hear the machine labouring either switch off and remove some of the mixture or increase the speed.
  - Always remove attachments fitted to the medium and high speed outlets before raising the mixer head.

### hints

- Switch off and scrape the bowl with a spatula when necessary.
- Eggs at room temperature are best for whisking.
- Before whisking egg whites, make sure there's no grease or egg yolk on the whisk or bowl.
- Use cold ingredients for pastry unless your recipe states otherwise.
- When creaming fat and sugar for cake mixes, always use the fat at room temperature or soften it first.
- Your mixer has been fitted with a 'soft start' feature to minimise spillage. However if the machine is switched on with a heavy mixture in the bowl such as bread dough, you may notice that the mixer takes a few seconds to reach the selected speed.

## points for bread making

### important

- Never exceed the maximum capacities stated - you will overload the machine.
- Some movement of the mixer head is normal when mixing heavy loads such as bread dough.
- The ingredients mix best if you put the liquid in first.
- At intervals stop the machine and scrape the mixture off the dough hook.
- Different batches of flour vary considerably in the quantities of liquid required and the stickiness of the dough can have a marked effect on the load imposed on the machine. You are advised to keep the machine under observation whilst the dough is being mixed; the operation should take no longer than 6-8 minutes.

## speed switch

These are a guide only and will vary depending upon the quantity of mix in the bowl and the ingredients being mixed.

### beater

- **creaming fat and sugar** start on min gradually increasing to a higher speed
- **beating eggs into creamed mixtures** use a medium to high speed
- **folding in flour, fruit etc** use a low to medium speed
- **all in one cakes** start on a low speed gradually increasing to a higher speed
- **rubbing fat into flour** use a low to medium speed

### whisk

- Gradually increase to maximum

### dough hook

- Use a low to medium speed

## maximum capacities

<b>shortcrust pastry</b>	450g flour weight
<b>sponge cake (one stage mix)</b>	1.6 Kg total mix
<b>fruit cake mix</b>	1.8 Kg total mix
<b>bread dough</b>	500g flour weight
<b>egg whites</b>	8

## electronic speed sensor control

Your mixer is fitted with an electronic speed sensor control that is designed to maintain the speed under different load conditions, such as when kneading bread dough or when eggs are added to a cake mix. You may therefore hear some variation in speed during the operation as the mixer adjusts to the load and speed selected - this is normal.

## to fit and use the splashguard

- 1 Fit the bowl into the base and add the ingredients.
  - 2 Fit the tool then lower the mixer head
  - 3 Fit the splashguard onto the bowl by sliding the cut away section around the mixer head ④.
  - 4 To remove the splashguard reverse the above procedure.
- During mixing, ingredients can be added directly to the bowl via the chute.

## care and cleaning

- Always switch off and unplug before cleaning.

### power unit

- Wipe with a damp cloth, then dry.
- Never use abrasives or immerse in water.

### bowl, tools, splashguard, removable guard on dough hook

- Wash by hand, then dry thoroughly or wash in the dishwasher.
- Never use a wire brush, steel wool or bleach to clean your stainless steel bowl. Use vinegar to remove limescale.
- Keep away from heat (cooker tops, ovens, microwaves).

## Blenders AT282 and AT283 (if supplied)

Use the blender for soups, drinks, pâtés, mayonnaise, breadcrumbs, biscuit crumbs, chopping nuts and crushing ice.

### safety

- Liquids should be allowed to cool to room temperature before blending.
- Don't touch the sharp blades. Keep the blade unit away from children.
- Only use the goblet with the blade unit supplied.
- Never attempt to fit the blade unit to the machine without the goblet fitted.
- Always unplug the machine before putting your hands or utensils in the goblet.
- Never run the blender empty.
- Only operate the blender with the lid in place.
- **Never fit the blade unit to the power unit without the blender goblet fitted.**
- Always take care when handling the blade assembly and avoid touching the cutting edge of the blades when cleaning.
- When removing the blender from the power unit:
  - switch off;
  - wait until the blades have completely stopped;
  - **model AT283** care should be taken not to unscrew the goblet from the base assembly
- Misuse of your blender can result in injury.

### important

**The skirt on the bottom of the AT282 acrylic goblet is fitted during manufacture and no attempt should be made to remove it.**

- **The attachment will not operate if it is incorrectly assembled or incorrectly fitted to the kitchen machine or if the medium speed outlet cover is not fitted.**
- Never run the blender for longer than one minute - it will overheat. Switch off as soon as you have the right consistency.
- Don't put dry ingredients into the blender before switching on. Cut them into cubes, then remove the filler cap and drop the cubes through the hole in the lid whilst the machine is running.
- **model AT282** don't process spices such as cloves, dill and cumin seeds - they damage the acrylic.
- Don't use the blender as a storage container. Keep it empty before and after use.
- Never crush ice on its own, always add a little water.
- **model AT282** never blend more than 1.5 litres (2 pints 12fl oz) - less for frothy liquids like milk shakes.
- **model AT283** never blend more than 1.2 litres (2 pints 2fl oz) - less for frothy liquids like milk shakes.
- Smoothie recipes - never blend frozen ingredients that have formed a solid mass during freezing, break it up before adding to the blender.

### key 14


#### acrylic blender AT282


- ① lid
- ② filler cap
- ③ goblet
- ④ sealing ring
- ⑤ blade unit

#### glass blender AT283



- ① filler cap
- ② lid
- ③ goblet
- ④ sealing ring
- ⑤ blade unit
- ⑥ base

### to use your acrylic blender AT282

- 1 Ensure the sealing ring is correctly fitted on the blade unit.
- 2 Hold the underside of the blade unit and insert the blades into the base of the blender. Twist to lock the assembly firmly in place.
- 3 Put your ingredients into the goblet.
- 4 Fit the lid to the goblet and twist clockwise into place, making sure that the tab on the lid slots into the groove in the handle. When correctly fitted the markings should align .

- 5 Place the filler cap into the lid.
- 6 Remove the high speed outlet cover by turning anti clockwise and lifting off .
- 7 Place the blender over the outlet, handle towards the back and turn clockwise to lock firmly into place.
- 8 Switch to maximum speed.
- 9 Once the desired consistency has been achieved, switch off and unplug.
- 10 Remove the blender.
- 11 Refit the high speed outlet cover after use.

### to use your glass blender AT283

- 1 Ensure the sealing ring is correctly fitted on the blade unit.
- 2 Fit the blade unit inside the base.
- 3 Screw the glass goblet onto the base.
- 4 Put your ingredients into the goblet.
- 5 Fit the lid and push down to secure.
- 6 Place the filler cap into the lid and push down to secure.
- 7 Remove the high speed outlet cover by turning anti clockwise and lifting off .
- 8 Place the blender onto the outlet, handle towards the back. Turn the blender clockwise to lock firmly into place until the two arrows align .
- 9 Switch to maximum speed.
- 10 Once the desired consistency has been achieved, switch off and unplug.
- 11 Remove the blender.
- 12 Refit the high speed outlet cover after use.

### hints

- To prevent leaks make sure the base is locked firmly into the goblet.
- When making mayonnaise, put all the ingredients, except the oil, into the blender. Then, with the machine running, remove the filler cap and add the oil slowly and evenly.
- Thick mixtures, eg pâté, dips: use low to medium speed, scraping down when necessary. If it's difficult to process, add more liquid. Alternatively use the pulse setting to get the ingredients moving over the blades.

### care and cleaning

- Always switch off and unplug before removing the attachment from the kitchen machine.
- Dismantle the attachment fully before cleaning.
- Empty the goblet before unlocking the base.

### blade unit

- 1 Remove and wash the sealing ring.
- 2 Brush the blades clean under the tap. Keep the underneath of the unit dry.
- 3 Leave to dry.

### other parts

Wash by hand in hot, soapy water.

Alternatively the filler cap, lid, base and glass blender can be washed in your dishwasher.

### carrot and coriander soup

#### ingredients

25g butter  
1 onion chopped  
1 clove garlic crushed  
750g carrot cut into 1.5 cm cubes  
(alternatively for a lighter soup use 600g carrot cut into 1.5 cm cubes)  
cold chicken stock  
10-15ml ground coriander  
salt and pepper

#### method

- 1 Melt the butter in a pan, add the onion and garlic and fry until soft.
- 2 Place the carrot into the blender, add the onion and garlic. Add sufficient stock to reach the 1.5 level marked on the goblet. Fit the lid and filler cap.
- 3 Blend on the pulse setting for 5 seconds for a coarse soup or longer for a finer result.
- 4 Transfer the mixture to a saucepan, add the coriander and seasoning and simmer the soup for 30 to 35 minutes or until cooked.
- 5 Adjust the seasoning as necessary and add extra liquid if required.

Additional recipes can be found on the Kenwood website:

**[www.kenwoodworld.com](http://www.kenwoodworld.com)**

## Mill AT286 (if supplied)

Use the mill for milling herbs, nuts and coffee beans.

### safety

- Don't touch the sharp blades. Keep the blade unit away from children.
- Only use the jar and the blade unit with the base supplied.
- Never blend hot liquids in the mill.
- Never remove the mill until the blades have completely stopped.
- Never attempt to fit the blade unit to the machine without the jar fitted.
- When removing the mill from the power unit, care should be taken not to unscrew the milling jar from the base assembly.
- To ensure the long life of your mill, never run for longer than 30 seconds. Switch off as soon as you have got the right consistency.
- The processing of spices is not recommended as they may damage the plastic parts.
- The appliance will not work if the mill is incorrectly fitted.
- Use for dry ingredients only.

### key ⑮

- ① base
- ② blade unit
- ③ sealing ring
- ④ milling jar

### to use the mill

- 1 Put your ingredients into the jar.
- 2 Ensure the sealing ring is correctly fitted on the blade unit.
- 3 Turn the blade unit upside down. Lower it into the jar, blades down.
- 4 Screw the base onto the jar until it's finger-tight.
- 5 Remove the high speed outlet cover by turning anti clockwise and lifting off ①.
- 6 Place the mill onto the outlet with the arrow ▼ on the mill base towards the back of the machine. Turn the mill clockwise to lock firmly into place until the two arrows align ▼.
- 7 Switch on to maximum speed.
  - **The attachment will not operate if it is incorrectly assembled or incorrectly fitted to the kitchen machine or if the medium speed outlet cover is not fitted.**
- 8 Once the desired consistency has been achieved switch off and unplug.
- 9 Remove the mill.
- 10 Refit the high speed outlet cover after use.

#### hints

- Herbs are best milled when clean and dry.
- When milling coffee beans, the longer the running time the finer the result.
- The maximum capacity for herbs is 10g and nuts and coffee beans 50g.

### care and cleaning

- Always switch off and unplug before removing the attachment from the kitchen machine.
- Dismantle the attachment fully before cleaning.
- For easier cleaning always wash the parts immediately after use.

#### jar, base

Wash by hand in hot soapy water.

The jar and base may also be washed in the dishwasher.

#### blade unit

- 1 Remove and wash the sealing ring.
- 2 Brush the blades clean under a tap. Keep the underneath of the unit dry.
- 3 Leave to air dry.

## Food Processor AT284 (if supplied)

Use the food processing attachment to chop, slice, shred and rasp. The citrus juicer attachment (if supplied) can be used to juice citrus fruit and can only be used with the AT284 food processor.

#### important

When removing the packaging, ensure the plastic blade cover is removed from the knife blade. **Take care the blades are very sharp.** The cover should be discarded as it is to protect the blade during manufacture and transit only.

### safety

- The blades and discs are very sharp, handle with care. **Always hold the knife blade by the finger grip at the top, away from the cutting edge, both when handling and cleaning.**
- Always remove the knife blade before pouring contents from the bowl.
- Keep hands and utensils out of the processor bowl whilst connected to the power supply.
- Never use your fingers to push food down the feed tube. Always use the pusher/s supplied.
- Before removing the lid from the bowl or the attachment from the power unit:-
  - switch off;
  - wait until the blades/discs have completely stopped;
- When slicing/shredding or rasping don't let the bowl fill up as far as the cutting disc: empty it regularly.
- Should excessive vibration occur when using this attachment, either reduce the speed or stop the machine and remove some of the contents.
- **This machine will be damaged and may cause injury if the interlock mechanism is subjected to excessive force.**

### key ⑯ & ⑰

#### food processor

- ① pushers: large and small
- ② feed tube
- ③ food processor lid
- ④ finger grip
- ⑤ knife blade
- ⑥ food processor bowl
- ⑦ drive shaft
- ⑧ thick slicer/shredder disc
- ⑨ thin slicer/shredder disc
- ⑩ rasping disc

#### optional discs

- ⑪ thin (julienne style) chipper disc
- ⑫ standard chipper disc
- ⑬ extra coarse shredding disc

#### citrus juicer

- ⑭ cone
- ⑮ sieve

Not all of the above parts will necessarily be included in pack. Contents are dependent upon model variant.

#### knife blade

Use the knife blade to chop raw and cooked meat, cooked eggs, vegetables, nuts, pâtés and dips and to also make crumbs from bread and biscuits.

### to use the knife blade

- 1 Remove the medium speed outlet cover by lifting off ①.
- 2 Place the drive shaft onto the outlet ②.
- 3 Fit the bowl over the drive shaft with the handle above the on/off and speed switch and turn clockwise until it locks into position ③.
- 4 Fit the knife blade over the drive shaft and turn until it drops all the way down.
  - **The knife blade is very sharp always handle with care.**
- 5 Cut the food up and place into the bowl ensuring that it is evenly distributed.
- 6 Fit the lid, feed tube above the speed switch and turn clockwise ensuring that the tab on the lid slots into the groove in the bowl handle ④. When correctly fitted the markings should align ▼.
  - **The attachment will not operate if it is incorrectly assembled or incorrectly fitted to the kitchen machine or if the high speed outlet cover is not fitted.**
- 7 Fit the pushers.



- 8 Switch on and process until the desired consistency is achieved. We recommend a high speed for most chopping functions.
- Use the pulse **P** for short burst of power. The pulse will operate for as long as the switch is held in position.
- 9 Switch off and unplug.
- 10 Remove the attachment.
- 11 Refit the medium speed outlet cover after use.

#### hints

- Cut food up before placing into the bowl. Meat, bread, vegetables and other foods of a similar texture should be cut into cubes approximately 2cm/3/4 in. Biscuits should be broken into pieces and added down the feed tube whilst the machine is operating.
- Herbs are best chopped when clean and dry.
- Don't blend liquid ingredients as they may leak from around the lid. A blender is available for this purpose. However, when puréeing soups etc., drain solids, blend and then return to the liquid.
- Take care not to over process when using the knife blade.
- Don't use the knife blade to mix heavy loads such as bread dough otherwise you may damage the mixer. Use the dough hook in the mixing bowl to make bread and the beater in the bowl to make cakes and pastry.
- Don't use the knife blade to chop ice cubes or other hard foods, such as spices, they may damage the attachment.
- If adding almond essence or flavouring to mixtures avoid contact with the plastic as this may result in permanent marking.

#### maximum capacity

- meat 400g (14oz)  
Make 'mince' by trimming raw meat of any excess fat and cutting into 2 cm/¾ in cubes, place into the processor bowl and operate for approximately 20 seconds or until the desired texture is achieved. The longer you run the machine the smoother the texture will be.

#### slicer/shredder and rasping disc

Use the slicer/shredder to slice or shred fruit, vegetables and cheese and the rasping disc for grating Parmesan cheese and potato for German potato dumplings.

## to use the slicer/shredder/rasper

#### what the cutting discs do

##### slicer/shredders

Discs ⑧ and ⑨ are reversible: one side slices, the other side shreds. You can slice cheese, carrot, potato, cabbage, cucumber, courgette, beetroot, onion. You can shred cheese, carrot, potato and foods of a similar texture.

**Your chosen cutting side must be uppermost.**

**rasping disc** ⑩ grates parmesan cheese and potato for German potato dumplings.

##### optional discs


##### thin (julienne style) chipper ⑪

This disc cuts potatoes for Julienne style French fries and firm ingredients for salads, garnishes, casseroles and stir fries (eg carrot, swede, courgette and cucumber).

**standard chipper** ⑫ cuts potatoes for thin French fries and firm ingredients for salads and dips (eg swede, cucumber).

**extra coarse shredder** ⑬ coarsely shreds cheese and carrot.

## using the cutting discs

- 1 Remove the medium speed outlet cover by lifting off.
- 2 Place the drive shaft onto the outlet.
- 3 Fit the bowl over the drive shaft with the handle above the on/off and speed switch and turn clockwise until it locks into position.
- 4 Place the cutting disc onto the drive shaft. Your chosen cutting side must be uppermost. **Handle the cutting discs with care - they are extremely sharp. Hold the discs by the centre grip.**
- 5 Fit the lid, feed tube above the speed switch and turn clockwise ensuring that the tab on the lid slots into the groove in the bowl handle. When correctly fitted the markings should align .
  - **The attachment will not operate if it is incorrectly assembled or incorrectly fitted to the kitchen machine or if the high speed outlet cover is not fitted.**
- 6 Choose which feed tube you want to use. The pusher contains a smaller feed tube for processing individual items or thin ingredients.

#### to use the small feed tube

- First put the large pusher inside the feed tube.

#### to use the large feed tube

- Use both pushers together.
- 7 Put the food into the feed tube.
- 8 Switch on and push down evenly with the pusher - **never put your fingers in the feed tube.** We recommend a medium speed for processing soft foods such as cucumber and a medium/high speed for processing firmer foods such as carrots and hard cheese.
- 9 Switch off and unplug.
- 10 Remove the attachment.
- 11 Refit the medium speed outlet cover after use.

#### hints

- Use fresh ingredients.
- Don't cut food up too small. Fill the width of the large feed tube fairly full. This prevents the food from slipping sideways during processing. Alternatively, use the small feed tube.
- When slicing or shredding: food placed upright comes out shorter than food placed horizontally.
- After using a cutting disc there will always be a small amount of waste on the disc or in the food.

## care and cleaning

- Always switch off and unplug before removing the attachment from the kitchen machine.
- Dismantle the attachment fully before cleaning.

#### bowl, lid and attachments

- Wash by hand then dry. Take care as the blades and cutting discs are sharp.
- Alternatively they can be washed on the top rack of your dishwasher. A short low temperature programme is recommended.

After use store the knife blade in the processor bowl.

#### citrus juicer

Note:

This attachment can only be used in conjunction with the food processor AT284.

Use the citrus juicer to squeeze the juice from citrus fruits, eg oranges, lemons, limes, grapefruits.

## key

- ⑭ cone
- ⑮ sieve

## to use your citrus juicer

- 1 Remove the medium speed outlet cover by lifting off ①.
- 2 Place the drive shaft onto the outlet.
- 3 Fit the bowl over the drive shaft with the handle above the on/off and speed switch and turn clockwise until it locks into position.
- 4 Fit the sieve into the bowl ensuring that the lug on the rim locks into the corresponding slot in the bowl handle ⑤.
- **The attachment will not operate if it is incorrectly assembled or incorrectly fitted to the kitchen machine or if the high speed outlet cover is not fitted.**
- 5 Place the cone over the drive shaft turning until it drops all the way down.
- 6 Cut the fruit in half. Switch to speed 3 and press the fruit onto the cone.
 

Note

Empty the bowl regularly and never let the juice reach the underside of the sieve.
- 7 Switch off and unplug.
- 8 Lift off the cone. Unlock and remove the sieve.
- 9 Unlock the bowl and pour off the juice.

## care and cleaning

- Always switch off and unplug before removing the attachment from the kitchen machine.
- Wash the cone, sieve and bowl by hand, then dry thoroughly. Alternatively wash in the dishwasher (top rack only).

## Centrifugal Juicer AT285 (if supplied)

Use the centrifugal juicer for extracting juice from fruit and vegetables.

### safety

- **Do not use the juicer if the filter is damaged.**
- The cutting blades on the base of the filter are very sharp, take care when handling and cleaning the filter.
- Only use the pusher supplied. Never put your fingers in the feed tube. Unplug before unblocking the feed tube.
- Before removing the lid, switch off and wait for the filter to stop.
- This machine will be damaged and may cause injury if the interlock mechanism is subjected to excessive force.
- Do not use the lid to operate the attachment, always use the on/off speed control.
- Should excessive vibration occur when using this attachment, either adjust the speed or stop the machine, unplug and clear any blockage.

### key ⑱


- ① pusher
- ② lid
- ③ lid interlock tab
- ④ filter
- ⑤ pulp container
- ⑥ juice outlet
- ⑦ pulp container release lever
- ⑧ base unit
- ⑨ beaker
- ⑩ beaker holder

### to use your centrifugal juicer

#### preparing food

- Remove stones (plums, peaches, cherries etc).
- Remove tough skins (melons, pineapples, cucumbers, potatoes etc).
- Soft-skinned and other foods just need washing (apples, pears, carrots, radishes, lettuce, cabbage, parsley, spinach, grapes, strawberries, celery etc).
- Citrus peel - Peel and remove the white pith, otherwise the juice may be bitter. For best results we recommend using the citrus juice attachment which is available separately.

#### assembly and use

- 1 Remove high speed outlet cover before assembling unit ①.
- 2 Place the pulp container onto the base unit and turn clockwise until it locks into position. When correctly fitted the spout should be located over the pulp container release lever.
- 3 Fit the filter and push firmly into position.
- 4 Fit the lid into the pulp container with the interlock tab next to the arm of the base unit. Then turn clockwise until the interlock tab on the lid fits into the groove in the upright arm of the base unit. When correctly fitted the markings should align .
- 5 Place the beaker holder onto the underside of the attachment – the arrow on the beaker holder should be pointing upwards and aligned with the spout and pulp container release lever.
- 6 Whilst holding the beaker holder in place, fit the attachment to the mixer by placing the spout over the corner of the high speed outlet and then turn clockwise to lock into position.
- 7 Move the beaker holder towards the back of the mixer and then fit the beaker. Swivel the holder into position so that the beaker is located underneath the juice outlet ②.
- 8 Cut the food to fit the feed tube.
- **The attachment will not operate if it is incorrectly assembled or incorrectly fitted to the kitchen machine or if the medium speed outlet cover is not fitted.**
- 9 Switch to speed 3, then place the food into the feed tube. Push the food down evenly with the pusher - **never put your fingers in the feed tube.**
- 10 Switch off and unplug.
- 11 Refit the high speed outlet cover after use.

To dismantle the juicer reverse the assembly procedure but press the pulp container release lever in order to remove the pulp container from base unit.

- Alternatively if you want to juice a large quantity of fruit or vegetables and just want to empty the beaker and pulp container carry out the following procedure:-
  - 1 Switch off and unplug the mixer.
  - 2 Unlock the attachment lid and lift off.
  - 3 Lift out the filter,
  - 4 Swivel the beaker holder to the side, lift off the beaker and empty.
  - 5 Press the pulp container release lever and rotate the pulp container anti-clockwise and lift off.
  - 6 Empty the pulp container of waste.
  - 7 Re-assemble the unit.

#### important

- If the juicer starts to vibrate, switch off and empty the pulp from the filter. (The juicer vibrates if the pulp becomes unevenly distributed).
- Maximum capacity that can be processed at one time is 500g of fruit or vegetables.
- Some very hard foods may make your attachment slow down or stop. If this happens switch off and unblock the filter.
- Switch off and empty the pulp and juice containers regularly during use.

#### hints

- Insert soft food slowly to get the most juice.
- Vitamins disappear - the sooner you drink your juice, the more vitamins you'll get.
- If you need to store the juice for a few hours put it in the fridge. It will keep better if you add a few drops of lemon juice.
- Don't drink more than three 230mls (8 fl.oz.) glasses of juice a day unless you're used to it.
- Dilute juice for children with an equal amount of water.
- Juice from dark green (broccoli, spinach etc) or dark red (beetroot, red cabbage etc) vegetables is extremely strong, so always dilute it.
- Fruit juice is high in Fructose (fruit sugar), so people with diabetes or low blood sugar should avoid drinking too much.

### care and cleaning

- Always switch off and unplug before removing attachment from mixer.
- Dismantle the attachment fully before cleaning.
- For easier cleaning always wash the parts immediately after use.
- Never let the base unit get wet.
- Some foods, eg carrot, will discolour the plastic. Rubbing with a cloth dipped in vegetable oil helps remove discolouring.

#### base unit

- Wipe with a damp cloth, then dry.

#### filter

- Clean using a soft brush.
- **Check the filter regularly for signs of damage. Do not use if the filter is damaged. Refer to "service and customer care".**

#### other parts

- Wash, then dry. Alternatively they can be washed on the top rack of your dishwasher. A short low temperature programme is recommended.

## Multi food grinder AT281 (if supplied)

Use the multi food grinder to process raw and cooked meat; fish and nuts.

### safety

- Always ensure bones and rind etc are removed from the meat before mincing.
- When mincing nuts only feed a few down at a time and allow the scroll to pick them up before adding any more.
- Always use the pusher supplied. Never put your fingers or utensils in the feed tube.
- Warning - the cutting blade is sharp, handle with care both in use and when cleaning.
- Ensure the attachment is secured in position before switching on.

### key 19

- ① ring nut
- ② multi food grinder screens: medium, coarse (due to model variants only 1 screen may be supplied)
- ③ cutter
- ④ scroll
- ⑤ multi food grinder body
- ⑥ tray
- ⑦ pusher

### to assemble

- 1 Fit the scroll inside the multi food grinder body.
- 2 Fit the cutter – cutting side outermost ①. Ensure it's seated properly – otherwise you could damage your multi food grinder.
- 3 Fit a multi food grinder screen ②. Put the notch over the pin.
- 4 Loosely fit the ring nut.

### to use the multi food grinder

- 1 Raise the mixer head.
  - 2 With the multi food grinder in the position shown ③, align the drive tabs on the end of the scroll with the corresponding slots in the drive outlet.
  - 3 Push the multi food grinder into the outlet and turn clockwise until it locks into place.
  - 4 Tighten the ring nut manually.
  - 5 Fit the tray ④.
  - 6 **Thaw frozen food thoroughly before mincing.** Cut meat into 2.5cm (1") -wide strips.
  - 7 Switch to maximum speed by turning the speed switch in a clockwise direction. Using the pusher, gently push the food through, one piece at a time. **Don't push hard** – you could damage your multi food grinder.
- important**
- Never operate the multi food grinder attachment for longer than 10 minutes as this could damage your mixer.
  - **The multi food grinder attachment will not operate unless the medium and high speed outlet covers are fitted.**
- 8 Once all the food has been minced, switch off and unplug.
  - 9 Remove the multi food grinder.

### care and cleaning

- Always switch off and unplug before removing the attachment from the kitchen machine.
- Dismantle the attachment fully before cleaning.
- Wash all the parts in hot soapy water, then dry thoroughly. **Don't wash any part in the dishwasher.** Never use a soda solution.
- Wipe the screens with vegetable oil, then wrap in greaseproof paper to prevent discolouring/rusting.

### service and customer care

- If the cord is damaged it must, for safety reasons, be replaced by KENWOOD or an authorised KENWOOD repairer.

#### UK

If you need help with:

- using your appliance
  - servicing or repairs
- ☎ call Kenwood Customer Care on **023 9239 2333. Have your model number ready** - it is located on the underside of your appliance.
- **spares and attachments**
- ☎ call 0844 557 3653.
- **other countries**
  - Contact the shop where you bought your appliance.

- Designed and engineered by Kenwood in the UK.
- Made in China.



### IMPORTANT INFORMATION FOR CORRECT DISPOSAL OF THE PRODUCT IN ACCORDANCE WITH EC DIRECTIVE 2002/96/EC.

At the end of its working life, the product must not be disposed of as urban waste.

It must be taken to a special local authority differentiated waste collection centre or to a dealer providing this service.

Disposing of a household appliance separately avoids possible negative consequences for the environment and health deriving from inappropriate disposal and enables the constituent materials to be recovered to obtain significant savings in energy and resources. As a reminder of the need to dispose of household appliances separately, the product is marked with a crossed-out wheeled dustbin.

#### guarantee UK only

- If your machine goes wrong within one year from the date you bought it, we will repair or replace it free of charge provided:
  - you have not misused, neglected or damaged it;
  - it has not been modified;
  - it is not second-hand;
  - it has not been used commercially;
  - you have not fitted a plug incorrectly; and
  - **you supply your receipt to show when you bought it.**
- This guarantee does not affect your statutory rights.

## الخدمة ورعاية العملاء

- في حالة تلف السلك الكهربائي، يجب استبداله لأسباب متعلقة بالسلامة من قبل KENWOOD أو مركز صيانة معتمد من قبل KENWOOD.

- إذا أردت الحصول على مساعدة بشأن:
- استخدام الجهاز عمليات صيانة وإصلاحات
- اتصلي بالمتجر الذي اشتريته منه الجهاز.

- تصميم وتطوير Kenwood في المملكة المتحدة.
- صنع في الصين.



## معلومات هامة حول كيفية التخلص الصحيحة من المنتج وفقاً لتوجيه الاتحاد الأوروبي 2002/96/EC.

- في نهاية العمر التشغيلي للجهاز، يجب عدم التخلص من الجهاز في نفايات المناطق الحضرية. بل يجب أخذه إلى مركز تجميع خاص بجهة محلية متخصصة في التخلص من هذه النفايات أو إلى تاجر يقدم هذه الخدمة.

التخلص من الأجهزة المنزلية على نحو منفصل، يجنب الآثار السلبية المحتملة على البيئة والصحة والتي تنتج عن التخلص من هذه النفايات بطريقة غير مناسبة، كما أن هذه العملية تسمح باسترداد المواد المكونة الأمر الذي يتيح الحصول على وفورات كبيرة في مجال الطاقة والموارد. للتذكير بضرورة التخلص من الأجهزة المنزلية على نحو منفصل، يوجد على الجهاز صورة مشطوبة لسلة قمامة ذات عجلات.

## المفرمة متعددة الاستخدامات الموديل AT281 (في حالة التزويد داخل صندوق البيع)

يمكنك استخدام المفرمة متعددة الاستخدامات لمعالجة اللحم النيئ والمطهي وأيضاً الأسماك والمكسرات.

## السلامة

- تأكد من إزالة العظام والقشرة من اللحم قبل الفرم.
- عند فرم المكسرات: ضع كمية قليلة كل مرة وانتظر حتى تخرج قبل إضافة كمية أخرى.
- لا تستخدم إلا الضاغط المرفق. لا تضع أصابعك أو أدوات المطبخ أبداً في أنبوب التغذية.
- تحذير - شفرات التقطيع حادة جداً، توخي الحذر أثناء التعامل معها سواء أثناء الاستخدام أو أثناء التنظيف.
- تأكد أن الملحقات محكمة في أماكنها قبل التشغيل.

## الدليل (19)

- 1 صامولة حلقيّة
- 2 شبكات فرم المفرمة متعددة الاستخدامات: شبكة الفرغ المتوسط وشبكة الفرغ الخشن (تبعاً لموديل الجهاز قد يتم تزويد شبكة فرم واحدة فقط)
- 3 قاطع
- 4 اللولب
- 5 جسم المفرمة متعددة الاستخدامات
- 6 صينية
- 7 ضاغط

## التجميع

- 1 ركب محور الدوران (اللولب) داخل جسم المفرمة متعددة الاستخدامات.
- 2 ركب السكين - بحيث يكون اتجاه جانب القطع للخارج 1. تأكد من تركيب السكين بشكل صحيح - حيث أنه في حالة عدم التركيب الصحيح قد يتسبب ذلك في تلف المفرمة متعددة الاستخدامات.
- 3 ركب شبكة الفرغ الخاصة بالمفرمة متعددة الاستخدامات 2. ضعي الحز فوق السن.
- 4 ركب الصامولة الحلقيّة مرتخية.

## استخدام المفرمة متعددة الاستخدامات

- 1 ارفع رأس الخلاط.
  - 2 عندما تكون المفرمة متعددة الاستخدامات في الوضع الموضّح 3، حاذي ألسنة المحرك الموجودة على طرف محور الدوران (اللولب) مع التجاويف المقابلة الموجودة في مخرج المحرك.
  - 3 ادفعي المفرمة متعددة الاستخدامات داخل المخرج ولغيتها في اتجاه عقارب الساعة إلى أن تستقر في موضع التعشيق.
  - 4 اربط الصامولة الحلقيّة يدوياً.
  - 5 ركب الصينية 4.
  - 6 اذّب ثلج الأطعمة المجمدة قبل الفرم. تقطع اللحم شرائح عرضها ٢,٥ سم (١").
  - 7 شغلي الجهاز على السرعة القصوى من خلال لف مفتاح السرعة في اتجاه عقارب الساعة. باستخدام عصا دفع المكونات، ادفعي المكونات برفق قطعة واحدة في المرة الواحدة. لا تدفعي المكونات بقوة - فقد تتسبب القوة في تلف المفرمة متعددة الاستخدامات.
- هام**
- يحذر تشغيل المفرمة متعددة الاستخدامات لفترة زمنية أطول من ١٠ دقائق حيث قد يتسبب ذلك في تلف الخلاط.
  - لن تعمل المفرمة متعددة الاستخدامات إلا في حالة تركيب غطاء مخرج السرعة المتوسطة وغطاء مخرج السرعة العالية.
  - 8 بعد فرم الطعام؛ أوقف الجهاز وافصله من الكهرباء.
  - 9 أزيل المفرمة متعددة الاستخدامات.

## العناية والتنظيف

- افصلي الجهاز دائماً عن مصدر التيار الكهربائي قبل إزالة الملحق عن جهاز تحضير الطعام.
- فكي الملحق تماماً قبل التنظيف.
- اغسلي كل الأجزاء في محلول ساخن من الماء والصابون ثم جففيها جيداً. لا تغسلي أي من الأجزاء في غسالة الأطباق. يحذر استخدام محلول صودا.
- يمسح المنخل بزيت نباتي، ثم يلف في ورقة مقاوم للزيت لمنع تكون الصدأ أو تغير اللون.

## عصارة الطرد المركزي الموديل AT285 (في حالة التزود داخل صندوق البيع)

استخدم العصارة الدائرية في استخراج العصير من الفاكهة والخضراوات.

### السلامة

- لا تستخدم العصارة إذا كان المرشح تالفاً.
- شفرات التقطيع الموجودة في قاعدة المرشح حادة للغاية، لذلك يجب اتخاذ الحذر عند التعامل مع المرشح وتنظيفه.
- استخدم أداة الدفع الموفرة فقط. لا تضع أصابعك في أنبوب التلقيح. فك القابس قبل إزالة الانسداد من أنبوب التلقيح.
- قبل إزالة الغطاء، أوقف تشغيل الجهاز وانتظر توقف المرشح.
- سيتعرض هذا الجهاز للتلف وقد يتسبب في الإصابة إذا تعرضت آلية تعشيق التروس الميكانيكية إلى قوة مفرطة.
- لا تستخدم الغطاء لتشغيل الجهاز، واستخدم أزرار تشغيل/إيقاف التحكم في السرعة دائماً.
- إذا حدث اهتزاز مفرط عند استخدام هذا المرفق، فإما أن تعدل السرعة أو توقف الجهاز عن العمل، ثم فك القابس وقم بإزالة أي انسداد.

### الدليل 18

- 1 أداة ضغط
- 2 غطاء
- 3 لسان تعشيق الغطاء.
- 4 مرشح
- 5 وعاء اللب
- 6 مخرج العصير
- 7 ذراع تحرير وعاء اللب
- 8 وحدة القاعدة
- 9 كاس كبير
- 10 حامل الكأس الكبير

## لاستخدام العصارة الدائرية

### تحضير الطعام

- إزالة المحتويات الصلبة (الخوخ والبرقوق والكرز إلخ).
- إزالة القشرة الصلبة (البطيخ والأناناس والخيار والبطاطس إلخ).
- الأطعمة ذات القشرة الرقيقة والأطعمة الأخرى تحتاج إلى الغسل فقط (مثل التفاح والكمثرى والجزر والفجل والخس والكرنب واليقونس والعنب والفراولة والكرفس إلخ).
- قشرة الليمون - قم بتقشير ونزع اللب الأبيض، وإلا قد يصبح العصير مرّاً. للحصول على أفضل النتائج ننصح باستخدام مرفق عصير الليمون والذي يتوفر منفصلاً.

### التجميع والاستخدام

- 1 أزيل غطاء مخرج السرعة العالية قبل تجميع الوحدة 1.
- 2 ضعي حاوية اللب على الوحدة الأساسية ولصقها في اتجاه عقارب الساعة إلى أن تستقر في موضع التعشيق. في حالة التركيب الصحيح، تستقر فتحة تدفق العصير فوق ذراع تحرير حاوية اللب.
- 3 ثبت المرشح واضغط بقوة في موضعه.
- 4 ثبت الغطاء في وعاء اللب باستخدام لسان التعشيق المجاور لذراع وحدة القاعدة. ثم أدركه في اتجاه عقارب الساعة حتى يتم تثبيت لسان التعشيق الخاص بالغطاء في التجويف الموجود في الذراع العمودي من وحدة القاعدة. عند تثبيته بشكل صحيح يجب أن تصطف العلامات إلى جانب بعضها 1.
- 5 ضع حامل الكأس الكبير في الجزء السفلي من المرفق - ويجب أن يشير السهم في حامل الكأس الكبير إلى الأعلى ويصطف إلى جانب الأنبوب وذراع تحرير وعاء اللب.
- 6 أثناء الإمساك بحامل الكأس الكبير في موضعه، ثبت المرفق في الخلاط بوضع الأنبوب فوق زاوية المخرج عالي السرعة ثم أدركه في اتجاه عقارب الساعة لقلعه في موضعه.
- 7 حرك حامل الكأس الكبير باتجاه خلف الخلاط ثم ثبت الكأس الكبير. حرك الحامل إلى موضعه بحيث يكون الكأس الكبير تحت مخرج العصير 2.
- 8 قطع الطعام ليلانم أنبوب التلقيح.
- لن يعمل المحلق في حالة تجميعه أو تركيبه بشكل غير صحيح في جهاز تحضير الطعام أو في حالة عدم تركيب غطاء مخرج السرعة المتوسطة.
- 9 قم بالتشغيل إلى السرعة 3، ثم ضع الطعام في أنبوب التلقيح. ادفع الطعام إلى الأسفل بشكل متساو باستخدام أداة الدفع - ولا تضع أصابعك في أنبوب التلقيح.
- 10 أوقف عمل الجهاز وافصله عن الكهرباء.
- 11 أعد تثبيت غطاء المخرج عالي السرعة بعد الاستخدام.

لتفكيك العصارة اعكس إجراء التجميع لكن اضغط على ذراع تحرير وعاء اللب لإزالة وعاء اللب من وحدة القاعدة.

- وبدلاً من ذلك إذا أردت عصر كمية كبيرة من الفاكهة أو الخضراوات وأردت إفراغ الكأس الكبير وعاء اللب فقم بالإجراء التالي:-
- 1 أوقف عمل الخلاط وافصله عن الكهرباء.
- 2 قم بإلغاء تأمين غطاء المرفق وارفعه.
- 3 ارفع المرشح.
- 4 حرك حامل الكأس الكبير إلى الجانب، وارفع الكأس الكبير وأفرغه.
- 5 اضغط على ذراع تحرير وعاء اللب وأدر وعاء اللب بعكس اتجاه عقارب الساعة وارفع.
- 6 أفرغ وعاء اللب من الفضلات.
- 7 أعد تجميع الوحدة.

### هام

- إذا بدأت العصارة في الاهتزاز، فأوقف تشغيلها وأفرغ اللب من المرشح. (تتعرض العصارة للاهتزاز إذا كان اللب موزع بشكل غير متساوي).
- السعة القصوى التي يمكن معالجتها في وقت واحد هي 500 جرام من الفاكهة أو الخضراوات.
- قد تتسبب بعض الأطعمة الصلبة في إبطاء عمل المرفق أو التوقف عن العمل. إذا حدث ذلك فأوقف التشغيل وقم بإزالة المرشح.
- قم بإيقاف التشغيل وإفراغ حاويات اللب والعصير بانتظام أثناء الاستخدام.

### تلميحات

- أدخل الطعام اللين ببطء للحصول على أكثر كمية ممكنة من العصير.
- الفيتامينات تختفي - كلما أسرعت في شرب العصير، كلما زادت كمية الفيتامينات التي تحصل عليها.
- إذا أردت تخزين العصير لعدة ساعات فضعه في الثلاجة. يمكن الاحتفاظ به بشكل أفضل بإضافة بضع نقاط من عصير الليمون.
- لا تشرب أكثر من ثلاث أكواب سعة 220 مللي (8 أونصة للسائل) من العصير في اليوم الواحد ما لم تكن معتاداً على ذلك.
- خفف العصير للأطفال باستخدام كمية ماثلة من الماء.
- العصير من الخضراوات ذات اللون الأخضر الغامق (مثل القنبيط والسبانخ إلخ) أو الأحمر الغامق (مثل الفجل والكرنب الأحمر إلخ) قوي للغاية، لذلك يجب دائماً تخفيفه.
- عصير الفواكه غني بالفركتوز (سكر الفاكهة)، لذلك يجب على الأشخاص المصابين بالبول السكري أو انخفاض السكر في الدم تفادي شرب كمية كبيرة.

## العناية والتنظيف

- أوقف عمل الجهاز دائماً وافصله عن الكهرباء قبل إزالة المرفق من الخلاط.
- قم بتفكيك المرفق بشكل كامل قبل التنظيف.
- للتنظيف بسهولة اغسل دائماً الأجزاء فوراً بعد الاستخدام.
- لا تعرض القاعدة للبلل أبداً.
- بعض الأطعمة مثل الجزر تقوم بتغيير لون البلاستيك. يساعد الفرك باستخدام قماشة تم غمسها في زيت نباتي في إزالة التغيير في اللون.

### وحدة القاعدة

- امسح باستخدام قماشة رطبة، ثم جفف.

### المرشح

- قم بتنظيفه باستخدام فرشاة ناعمة.
- تفقد المرشح بانتظام للتأكد من عدم وجود علامات للتلف. لا تستخدمه إذا كان تالفاً. راجع "الخدمة".

### الأجزاء الأخرى

- قم بغسلها ثم تجفيفها. وبدلاً من ذلك يمكن غسلها في الرف الأعلى في غسالة الصحون. ينصح باستخدام برنامج قصير يستعمل درجة حرارة منخفضة.

## ● لن يعمل المحلق في حالة تجميعه أو تركيبه بشكل غير صحيح في جهاز تحضير الطعام أو في حالة عدم تركيب غطاء مخرج السرعة العالية.

- ٧ ثبت الضواغط.
- ٨ قم بالتشغيل وبدء العمل حتى تحصل على النتيجة المطلوبة. ننصح باستخدام سرعة مرتفعة لمعظم وظائف التقطيع.
- استخدم الضغط (P) للحصول على اندفاع لفترة قصيرة من الطاقة. سيعمل الضغط طالما يتم الاحتفاظ بالمفتاح في موضع التشغيل.
- ٩ أوقف عمل الجهاز وافصله عن الكهرباء.
- ١٠ فك المرفق.
- ١١ أعد تثبيت غطاء فتحة السرعة المتوسطة بعد الاستخدام.

### تلميحات

- قطع الطعام قبل وضعه في الوعاء. يجب تقطيع اللحم والخبز والخضراوات والأطعمة الأخرى ذات النسيج المماثل إلى مكعبات بحجم ٢ سم / ٤/٣ بوصة. يجب تكسير البسكويت إلى قطع وإضافته عن طريق أنبوب التلقين أثناء عمل الجهاز.
- أفضل وقت لتقطيع الأعشاب هو عندما تكون نظيفة وجافة.
- لا تخلطي مكونات سائلة فقد تتسرب من حول الغطاء العلوي. استخدم المسيل للقيام بذلك. في حالة الحساء المركز، صفي المواد الصلبة، ثم اخلطها في الخلاط ثم أعيددها إلى السائل مرة أخرى.
- يجب توخي الحذر وعدم الإفراط في المعالجة عند استخدام شفرة السكين.
- لا تستخدم نصل السكين لخلط الأحمال الثقيلة مثل عجين الخبز حيث قد يتسبب ذلك في تلف الخلاط. استخدم خنجر العجين في وعاء الخلاط لتحضير الخبز واستخدام المضرب في السلطانية لتحضير الكيك والمعجنات.
- لا تستخدم شفرة السكين لتقطيع مكعبات الثلج أو الأطعمة الصلبة الأخرى، مثل التوابل، حيث قد تتلف المرفق.
- إذا تم إضافة زيت اللوز أو أي مواد منكهة إلى الخليط فتجنب اتصالها بالقطع البلاستيكية حيث قد ينتج عن ذلك وجود علامة دائمة.

### السعة القصوى

- اللحم ٤٠٠ جرام (١٤ أونصة)

### قرص التقطيع إلى شرائح / قطع صغيرة

استخدم آلة التقطيع إلى شرائح / قطع صغيرة لتقطيع الفاكهة والخضراوات والجبن إلى شرائح أو قطع صغيرة وقرص التقطيع لبشر الجبن الجاف والبطاطس للحصول على زلابية البطاطس الألمانية.

## لاستخدام أداة التقطيع إلى شرائح/قطع صغيرة/أداة البشر

ما الذي تقوم به أقراص التقطيع أدوات التقطيع إلى شرائح / قطع صغيرة القرصين ⑧ و ⑨ قابلين للعكس: يستخدم أحد الجانبين للتقطيع إلى شرائح، ويستخدم الآخر للتقطيع إلى قطع صغيرة. يمكنك تقطيع الجبن والجزر والبطاطس والكرنب والخيار والقرع الصيفي والفجل والبصل إلى شرائح. ويمكنك تقطيع الجبن والجزر والبطاطس والأطعمة ذات النسيج المماثل إلى قطع صغيرة. يجب أن يكون الجانب الذي تختاره للتقطيع هو الأعلى.

يقوم قرص التقطيع ⑩ ببشر الجبن الجاف والبطاطس لعمل زلابية البطاطس الألمانية.

### أسطح اختيارية

#### سطح الشرائح الرفيعة ⑪

يقطع هذا السطح البطاطس بطريقة رقيقة ومكونات السلطات، الزينة والخضار السوتيه (مثل الجزر، اللفت، الكوسة والخيار).

سطح تقطيع الشرائح العادية ⑫ يقطع البطاطس بطريقة البطاطس المقليّة العادية ومكونات السلطات والمغموسات (مثل اللفت، الخيار).

سطح تقطيع أكثر خشونة ⑬ يقطع الجبن والجزر بشكل خشن.

### استخدام أسطح التقطيع

١ أزيل غطاء منفذ الإخراج على السرعة المتوسطة عن طريق رفعه لأعلى.

٢ ركبي محور الدوران على المنفذ.

٣ ركبي السلطانية على محور الدوران بحيث يكون المقبض فوق مفتاح التشغيل/الإيقاف (on/off) والسرعة ولغيها في اتجاه عقارب الساعة حتى تستقر في موضع التعشيق.

٤ ضعي سطح التقطيع على محور الدوران. يجب أن يكون سطح التقطيع متجهاً لأعلى. توخي الحذر أثناء التعامل مع أسطح التقطيع - أسطح التقطيع حادة جداً. امسكي أسطح التقطيع من الماسكة المركزية.

٥ ركبي الغطاء العلوي وفتحة إدخال المكونات فوق مفتاح السرعة ولغي في اتجاه عقارب الساعة مع التأكد من استقرار اللسان الموجود في الغطاء العلوي داخل التجويف الموجود في مقبض السلطانية. في حالة التركيب الصحيح، تتحاذى العلامات ١.

### ● لن يعمل المحلق في حالة تجميعه أو تركيبه بشكل غير صحيح في جهاز تحضير الطعام أو في حالة عدم تركيب غطاء مخرج السرعة العالية.

٦ اختاري أنبوب إدخال المكونات المطلوب. تتضمن مجموعة عصا دفع المكونات أنبوب تغذية صغير لإدخال المكونات الرفيعة أو المكونات في صورة فردية على حدة.

### لاستخدام فتحة إدخال الطعام الصغيرة

● ضعي عصا دفع الطعام الكبيرة داخل فتحة إدخال الطعام أولاً.

### لاستخدام فتحة إدخال الطعام الكبيرة

● استخدم كل من عصا دفع الطعام الصغير والكبيرة معاً.

٧ ضعي الطعام من خلال فتحة إدخال المكونات.

٨ شغلي الجهاز مع دفع الطعام بالتساوي بواسطة عصا دفع المكونات - احذري وضع

أصابعك داخل فتحة إدخال المكونات. نوصي باستخدام السرعة المتوسطة لتجهيز الأطعمة اللينة مثل الخيار واستخدام السرعة المتوسطة/العالية لتجهيز الأطعمة الأكثر صلابة مثل الجزر والجبن الصلب.

٩ أوقفي تشغيل الجهاز وافصله عن مصدر التيار الكهربائي.

١٠ أزيل الملحق.

١١ أعيدي تركيب غطاء منفذ السرعة المتوسطة بعد الاستخدام.

### تلميحات

● استخدم مكونات طازجة.

● لا تقطعي الطعام إلى قطع صغيرة جداً. اجعلي عرض (مقطع) أنبوب إدخال المكونات الكبير ممتلئاً بشكل متساو. يحول ذلك دون انزلاق الطعام على الجوانب أثناء تحضير الطعام. أو بطريقة أخرى، يمكنك استخدام أنبوب التغذية الصغير.

● عند التقطيع أو الفرغ: الطعام الموضوع بشكل رأسي يخرج قصيراً عن الطعام الموضوع بشكل أفقي.

● بعد استخدام سطح تقطيع، هناك دائماً كمية صغيرة من النفاية على السطح أو في الغداء.

### العناية والتنظيف

● افصلي الجهاز دائماً عن مصدر التيار الكهربائي قبل إزالة الملحق عن جهاز تحضير الطعام.

● فكي الملحق تماماً قبل التنظيف.

### السلطانية والغطاء العلوي والملحقات

● غسيل يدي ثم التجفيف. توخي الحذر حيث أن نصل السكين وأسطح التقطيع حادة جداً.

● أو بطريقة أخرى، يمكنك غسل هذه المكونات على الرف العلوي لغسالة الأطباق. يوصى باستخدام برنامج قصير مع درجة حرارة منخفضة.

● بعد الاستخدام، خزني نصل السكين في سلطانية جهاز تحضير الطعام.

### عصارة موالح

ملاحظة:

يمكن استخدام هذا الملحق فقط مع جهاز تحضير الطعام الموديل AT284.

استخدم عصارة الموالح لتحضير العصير من الموالح (مثل البرتقال والليمون والليمون الحمضي والجريب فروت).

### الدليل

⑭ مخروط العصر

⑮ المصفاة

### استخدام عصارة الموالح

١ أزيل غطاء منفذ الإخراج على السرعة المتوسطة عن طريق رفعه لأعلى ①.

٢ ركبي محور الدوران على المنفذ.

٣ ركبي السلطانية على محور الدوران بحيث يكون المقبض فوق مفتاح التشغيل/الإيقاف (on/off) والسرعة ولغيها في اتجاه عقارب الساعة حتى تستقر في موضع التعشيق.

٤ ركبي المصفاة في السلطانية مع التأكد من استقرار الجزء المسحوب من الحافة في التجويف المقابل الموجود في مقبض السلطانية ②.

● لن يعمل المحلق في حالة تجميعه أو تركيبه بشكل غير صحيح في جهاز تحضير الطعام أو في حالة عدم تركيب غطاء مخرج السرعة العالية.

٥ ركبي مخروط العصر على محور الدوران وأديره حتى يستقر تماماً في القاع.

٦ قطعي ثمار الفواكه إلى نصفين. ثم شغلي الجهاز على السرعة ٣ واضغطي الفاكهة على مخروط العصر.

ملاحظة

أفرغي السلطانية بانتظام واحذري وصول العصير إلى أسفل المصفاة.

٧ أوقفي تشغيل الجهاز وافصله عن مصدر التيار الكهربائي.

٨ ارفعي مخروط العصر لأعلى. فكي تعشيق المصفاة وأزيليها.

٩ فكي تعشيق السلطانية وصبي العصير.

### العناية والتنظيف

● افصلي الجهاز دائماً عن مصدر التيار الكهربائي قبل إزالة الملحق عن جهاز تحضير الطعام.

● اغسليها باليد ثم جفها. يجب توخي الحذر لأن الشفرات وأقراص التقطيع حادة.

● بعد الاستخدام قم بتخزين شفرة السكين في الوعاء.

## المطحنة الموديل AT286 (في حالة التزويد داخل صندوق البيع)

استخدمي المطحنة لطحن الأعشاب والمكسرات وحبوب القهوة.

### السلامة

- لا تلمس الشفرة الحادة. ابق الشفرة بعيدة كل البعد عن الاطفال.
- استعمل فقط الوعاء ووحدة الشفرة مع القاعدة المزودة المزودة.
- يحذر خلط السوائل الساخنة في المطحنة الصغيرة.
- يحذر إزالة المطحنة الصغيرة قبل توقف الشفرات عن الحركة تماماً.
- ابدأ لا تحاول تركيب الشفرة على المكنة ما لم يكن الوعاء مركباً.
- عند إزالة المطحنة عن وحدة الطاقة (الموتور)، يجب توخي الحذر حتى لا يتم فك وعاء الطحن عن مجموعة القاعدة.
- لضمان إطالة عمر المطحنة، لا تقومي بتشغيلها لفترة أطول من ٣٠ ثانية. أوقفي تشغيل المطحنة بمجرد حصولك على القوام المطلوب.
- غير موصى بمعالجة التوابل حيث قد تتسبب في تلف الأجزاء البلاستيكية.
- لن يعمل الجهاز في حالة تركيب المطحنة بشكل غير صحيح.
- تستخدم فقط للمكونات الجافة.

### الدليل 15

- ① القاعدة
- ② وحدة الشفرة
- ③ حلقة إحكام الإغلاق
- ④ وعاء الطحن

### لاستخدام المطحنة

- ١ ضع المواد في الوعاء. لا تملأ أكثر من المستوى الأقصى المبين على الوعاء.
- ٢ تأكدي من تركيب حلقة الإحكام بشكل صحيح على وحدة الشفرات.
- ٣ اقلب وحدة الشفرة رأساً على عقب. انزلها في الوعاء، جاعلا الشفرة نحو الأسفل.
- ٤ ابرم القاعدة على الوعاء الى تصبح محكمة الشد بقوة اليد.
- ٥ أزيل غطاء الإخراج على السرعة العالية عن طريق لفه في اتجاه عكس عقارب الساعة ورفعها لأعلى ①.
- ٦ ضعي المطحنة على المخرج بحيث يشير السهم ▼ الموجود على قاعدة المطحنة ناحية الجانب الخلفي للجهاز. لفي المطحنة في اتجاه عقارب الساعة بحيث تستقر تماماً في موضع التعشيق حيث تتم محاذاة السهمين ▼.
- ٧ شغل على السرعة القصوى.
- لن يعمل المحلق في حالة تجميعه أو تركيبه بشكل غير صحيح في جهاز تحضير الطعام أو في حالة عدم تركيب غطاء مخرج السرعة المتوسطة.
- ٨ بمجرد الوصول إلى القوام المطلوب، أوقفي تشغيل الجهاز وافصله عن مصدر التيار الكهربائي.
- ٩ أزيل المطحنة.
- ١٠ أعيد تركيب غطاء مخرج السرعة العالية بعد الاستخدام.

### ملاحظات مفيدة

- تلمن الأعشاب على أفضل وجه عندما تكون نظيفة وجافة.
- عند طحن حبوب القهوة، كلما زادت مدة الطحن كلما أصبحت القهوة الناتجة أكثر نعومة.
- السعة القصوى بالنسبة للأعشاب هي ١٠ غرام وبالنسبة للمكسرات وحبوب القهوة هي ٥٠ غرام.

### العناية والتنظيف

- افصلي الجهاز دائماً عن مصدر التيار الكهربائي قبل إزالة الملحق عن جهاز تحضير الطعام.
- فكي الملحق تماماً قبل التنظيف.
- سهولة التنظيف من الأفضل غسل الأجزاء فور الانتهاء من الاستخدام.

### وعاء الطحن، القاعدة

غسل يدوي في محلول ماء وصابون ساخن.  
يمكن أيضاً غسل وعاء الطحن والقاعدة في غسالة الأطباق.

### وحدة الشفرة

- ١ أزيل حلقة الإحكام واغسلها.
- ٢ تنظف الشفرة بفرشاة تحت ماء الحنفية. ابق الجهة التحتية جافة.
- ٣ دعها تجف في الهواء.

## معالج الطعام الموديل AT284 (في حالة التزويد داخل صندوق البيع)

يمكنك استخدام ملحق معالج الطعام في عمليات الفرغ والتقطيع إلى شرائح والتقطيع الطولي والبشر. يمكن استخدام عصارة الموالح (في حالة التزويد داخل صندوق البيع) لتحضير العصير من الموالح ويمكن استخدامها فقط مع معالج الطعام الموديل AT284.

### هام

عند إزالة مكونات التغليف، تأكدي من إزالة الغطاء البلاستيكي المغلف لنصل سكين التقطيع. توخي الحذر فسكين التقطيع حاد جداً. يجب التخلص من الغطاء حيث أنه مزود لحماية سكين التقطيع أثناء التصنيع والنقل فقط.  
استخدم ملحق تصنيع الطعام للفرغ والشرائح والبشر.

### السلامة

- الشفرات واللوحات حادة جداً، يجب التعامل معها بحذر. أمسك شفرة السكين دائماً من مسكة الإصبع في الأعلى، بعيداً عن الحافة القاطعة سواء عند التعامل أو التنظيف.
- دائماً فك شفرة السكين قبل سكب المحتويات من الوعاء.
- أبعد الأيدي وأدوات المطبخ عن وعاء المعالج المتصل بمصدر التيار.
- لا تستخدم الأصابع أبداً لدفع الطعام داخل أنبوب التغذية. استخدم الضاغظ المرفق دائماً.
- قبل فك الغطاء من الوعاء أو الملحق من وحدة التيار:
  - أوقف التشغيل
  - انتظر إلى أن تتوقف الشفرات / اللوحات تماماً.
- عند تقطيع الشرائح / الفرغ أو البشر: لا تجعل الوعاء يمتلئ بعد لوحة القطع: أفرغ بانتظام.
- إذا حدث اهتزاز زائد عند استخدام الملحق: قلل السرعة أو أوقف الجهاز وأخرج بعض المحتويات.
- سيتلف هذا الجهاز وقد يسبب الإصابة إلى تعرضت آلية القفل لقوة زائدة.

### الدليل 16 + 17

- ① ضواغط كبيرة وصغيرة
- ② أنبوب التلقيح
- ③ غطاء مصنع الطعام
- ④ مقبض الأصابع
- ⑤ شفرة السكين
- ⑥ وعاء مصنع الطعام
- ⑦ عمود تشغيل
- ⑧ لوحة الشرائح السمكية / الفرغ
- ⑨ لوحة الشرائح الخفيفة / الفرغ
- ⑩ لوحة البشر
- ⑪ ملحقات اختيارية
- ⑫ سطح الشرائح الرفيعة
- ⑬ سطح تقطيع الشرائح العادية
- ⑭ سطح تقطيع أكثر خشونة
- ⑮ عصارة موالح
- ⑯ مخروط العصر
- ⑰ المصفاة

ليس بالضرورة تزويد كل الأجزاء الموضحة أعلاه داخل صندوق البيع. تختلف المكونات تبعاً لاختلاف موديلات الجهاز.

### شفرة السكين

استخدم شفرة السكين لتقطيع اللحم النيئ والمنضج والبيض المنضج والخضراوات والحبوب والباتيه وسوائل الغمس وكذلك لعمل كسر الخبز والبسكويت.

### لاستخدام شفرة السكين

- ١ فك غطاء فتحة السرعة المتوسطة برفعها ①.
- ٢ ضع عمود المحرك في الفتحة ②.
- ٣ ثبت الوعاء فوق عمود المحرك باستخدام المقبض فوق مفتاح التشغيل/الإبقاء ومفتاح السرعة وقم بإدارته في اتجاه عقارب الساعة حتى يتم قفله في الموضع ③.
- ٤ ثبت شفرة السكين فوق عمود المحرك وأدراها حتى تسقط إلى الأسفل. شفرة السكين حادة جداً لذلك يجب التعامل معها بحرص.
- ٥ قطع الطعام وضعه في الوعاء مع التأكد من توزيعه بشكل متساو.
- ٦ ثبت الغطاء، أنبوب التلقيح فوق مفتاح السرعة وأدراها في اتجاه عقارب الساعة والتأكد من دخول اللسان الموجود في الغطاء في تجويف مقبض الوعاء ④. عند تثبيته بشكل جيد فيجب أن تتم تصطف العلامات إلى جانب بعضها ⑤.

## استخدام الخلاط الأكريليك AT282

- ١ تأكد من صحة تثبيت حلقة السد في وحدة الشفرة.
- ٢ أمسك الجانب السفلي من وحدة الشفرة وأدخل الشفرات في قاعدة المسيل. لف لتثبيت المجموعة في مكانها.
- ٣ ضع المكونات في الإبريق.
- ٤ ركب الغطاء في الإبريق، ثم لفه في اتجاه عقارب الساعة، مع التأكد أن اللسان في فتحات الغطاء موجود في الشقوق في المقبض. يدل التركيب على الصحيح محاذاة العلامات.
- ٥ ضع غطاء التعبئة في الفتحة.
- ٦ فك غطاء منفذ السرعة العالية بالتدوير عكس اتجاه عقارب الساعة والرفع لأعلى ①.
- ٧ ضع المسيل على المنفذ والمقبس تجاه المؤخرة ثم لفه في اتجاه عقارب الساعة إلى أن يثبت في مكانه.
- ٨ شغل السرعة القصوى.
- ٩ بعد الوصول إلى القوام المطلوب: أوقف الجهاز وافصله من الكهرباء.
- ١٠ فك المسيل.
- ١١ أعيد تركيب غطاء مخرج السرعة العالية بعد الاستخدام.

## استخدام الخلاط الزجاجي AT283

- ١ تأكد من تركيب حلقة الإحكام بشكل صحيح على وحدة الشفرات.
- ٢ ركب وحدة الشفرات داخل القاعدة.
- ٣ لف الدورق الزجاجي في القاعدة لتركيبه فيها.
- ٤ ضعي المكونات داخل الدورق.
- ٥ ركب الغطاء العلوي واضغطي عليه لأسفل حتى يستقر في موضعه.
- ٦ ضعي فتحة التعبئة على الغطاء العلوي واضغطي عليها لأسفل لتستقر في موضعها.
- ٧ أزيل غطاء الإخراج على السرعة العالية عن طريق لفه في اتجاه عقارب الساعة ورفع أعلى ①.
- ٨ ضعي الخلاط على المخرج، بحيث يكون المقبض متجهاً إلى الخلف. لف الخلاط في اتجاه عقارب الساعة بحيث يستقر تماماً في موضع التعشيق حيث تتم محاذاة السهمين ②.
- ٩ شغلي الجهاز على السرعة القصوى.
- ١٠ بمجرد الوصول إلى القوام المطلوب، أوقف تشغيل الجهاز وافصله عن مصدر التيار الكهربائي.
- ١١ أزيل الخلاط.
- ١٢ أعيد تركيب غطاء مخرج السرعة العالية بعد الاستخدام.

### نصائح

- لمنع التسرب بلل حلقة السد قبل تركيبها وكذلك تأكد أن القاعدة مثبتة في الإبريق.
- عند عمل المايونيز؛ ضع كافة المكونات في المسيل باستثناء الزيت. ثم اسكب الزيت أثناء عمل الجهاز ببطء وبالتساوي بعد فك غطاء التعبئة.
- المزيج السميك، مثل الباتيه، المعجنات: استخدم السرعة المتوسطة، مع التقشير عند الحاجة. إذا كان من الصعب معالجته؛ أضف مزيداً من السائل. أو استخدم النبض لتحريك المكونات عبر الشفرات.

## العناية والتنظيف

- افصلي الجهاز دائماً عن مصدر التيار الكهربائي قبل إزالة الملحق عن جهاز تحضير الطعام.
- فكي الملحق تماماً قبل التنظيف.
- أفرغ الإبريق قبل الفصل من القاعدة.

### وحدة الشفرة

- ١ فك حلقة السد واغسلها.
- ٢ نظف الشفرات تحت الصنبور بالفرشاة. احرص على ألا يبتل الجزء السفلي من الوحدة.
- ٣ اتركها يجف.

### القطع الأخرى

- غسيل يدوي في محلول ماء وصابون ساخن. أو بطريقة أخرى، يمكنك غسل فتحة التعبئة والغطاء العلوي والقاعدة والخلاط الزجاجي في غسالة الأطباق.

## حساء الجزر والكزبرة

- المكونات  
٢٥ ج زبد  
بصلة مفرومة  
فص ثوم مسحوق  
٧٥٠ ج جزر مقطع مكعبات ١,٥ سم  
(أو مع الحساء الخفيف، استخدم ٦٠٠ جرام جزر مقطعة مكعبات ١,٥ سم)

- مرق دجاج بارد  
١٥-١٠ مل كزبرة مطحونة

ملح وفلفل

### الطريقة:

- ١ يذاب الزبد في الوعاء ويضاف البصل والثوم ثم يحمر إلى أن يلين.
- ٢ يوضع الجزر في المسيل ويضاف البصل والثوم. تضاف كمية كافية من المرق للوصول إلى مستوى ١,٥ في القدح. ثبت الغطاء وغطاء التعبئة.
- ٣ تخفق في وضع النبض لمدة ٥ ثوان للحساء الخشن أو أكثر للحساء الناعم.
- ٤ ينقل المزيج إلى قدر، ثم تضاف الكزبرة والتوابل ويطهى الحساء ببطء لمدة ٣٠ إلى ٣٥ دقيقة أو إلى أن تنضج.
- ٥ تضبط التوابل حسب الحاجة ويضاف المزيد من السائل إذا لزم الأمر.

يمكنك الحصول على مزيد من وصفات الطهي من خلال موقع Kenwood على الإنترنت:  
[www.kenwoodworld.com](http://www.kenwoodworld.com)



## الخلاط الموديلين AT282 و AT283 (في حالة التزويد داخل صندوق البيع)

استخدمي الخلاط لتحضير الحساء، المشروبات، المعجنات، المايونيز، كسرات الخبز، كسرات البسكويت، تحضير المكسرات وجرش الثلج.

### السلامة

- يجب السماح بتبريد السوائل إلى درجة حرارة الغرفة قبل عملية المزج.
- لا تلمس الشفرات الحادة. أبعاد وحدة الشفرة عن الأطفال.
- استخدمي الدورق فقط مع وحدة الشفرات المزودة.
- يحذر محاولة تركيب وحدة الشفرات في الجهاز بدون تركيب الدورق.
- افصلي الجهاز عن مصدر التيار الكهربائي دائماً قبل وضع يديك أو أدوات المائدة في الدورق.
- يجب تشغيل الخلاط فارغاً.
- يجب تشغيل الخلاط فقط مع تركيب الغطاء العلوي في موضعه.
- يحذر تركيب وحدة الشفرات على وحدة الطاقة (الموتور) بدون تركيب دورق الخلاط.
- توخي الحذر دائماً عند التعامل مع وحدة الشفرات وتجنبني لمس حافة القطع الخاصة بالشفرات أثناء التنظيف.
- عند إزالة الخلاط من وحدة الطاقة:
  - أوقف تشغيل الجهاز؛
  - انتظري حتى توقف الشفرات تماماً؛
  - الموديل AT283 يجب توخي الحذر حتى لا يتم فك الدورق عن مجموعة القاعدة قد يؤدي سوء استخدام الخلاط إلى حدوث إصابات.

### هام

تم تركيب جوانب قاعدة الدورق الأكريليك AT282 أثناء التصنيع ولا يجب محاولة إزالتها.

- لن يعمل المحلق في حالة تجميعه أو تركيبه بشكل غير صحيح في جهاز تحضير الطعام أو في حالة عدم تركيب غطاء مخرج السرعة المتوسطة.
- لا تشغل المسيل لأكثر من دقيقة - لأن حرارته سترتفع جداً.
- أوقف التشغيل فور الوصول إلى القوام المطلوب.
- لا تضع مكونات جافة في المسيل قبل تشغيله. بل تقطع إلى مكعبات، ثم يفك الغطاء وتسقط المكعبات عبر الفتحة في الغطاء أثناء عمل الجهاز.
- الموديل AT282 لا يستعمل مع البهارات مثل الثوم، الشبث، وبذور الكمون - لأنها تتلف الأكريليك.
- لا تستخدم المسيل كحاوية تخزين. احتفظ به خالياً قبل الاستخدام وبعده.
- لا تسحق الثلج بنفسه، بل أضف قليلاً من الماء.
- الموديل AT282 لا تخلط أكثر من لتر ونصف ٥٠١ لتر - وأقل من ذلك مع السوائل المرغية مثل مخفوق الحليب (ميك شيك).
- الموديل AT283 لا تخلط أكثر من لتر ونصف ٣٠١ لتر - وأقل من ذلك مع السوائل المرغية مثل مخفوق الحليب (ميك شيك).
- الوصفات اللينة - لا تخلط المكونات المجمدة التي شكلت جسماً صلباً أثناء التجمد؛ اكسرها قبل إضافتها إلى المسيل.

### الدليل ④

#### الخلاط الأكريليك AT282

- ① غطاء
- ② غطاء فتحة التعبئة
- ③ الدورق
- ④ طوق الإحكام
- ⑤ وحدة الشفرات

#### الخلاط الزجاجي AT283

- ① غطاء فتحة التعبئة
- ② غطاء
- ③ الدورق
- ④ طوق الإحكام
- ⑤ وحدة الشفرات
- ⑥ القاعدة

### خطاف العجين

● استخدم السرعة المنخفضة والمتوسطة

### الساعات القصوى

#### معجنات قصيرة القشرة

كعكة اسفنجية (مزج بمرحلة واحدة)

مزيج كعكة الفاكهة

عجينة الخبز

بياض البيض

٤٥٠ ج طحين

١,٦ كجم إجمالي المزيج

١,٨ كجم إجمالي المزيج

٥٠٠ ج طحين

٨

### ضابط مستشعر السرعة الإلكتروني

يحتوي الخلاط على ضابط مستشعر سرعة إلكتروني مصمم للمحافظة على السرعة في كافة الأحمال، مثل العجن أو عند إضافة البيض إلى مزيج الكعكة. ولذا قد تسمع بعض التغيير في السرعة أثناء الاستخدام لأن الخلاط يضبط نفسه مع الحمل والسرعة المحددة، وذلك أمر عادي.

### تركيب الواقي واستخدامه

- ١ ركب الوعاء في القاعدة وأضف المكونات.
  - ٢ ركب الأداة ثم أخفض رأس الخلاط.
  - ٣ ركب الواقي في الوعاء بتحريك القاطع قليلاً حول رأس الخلاط ④.
  - ٤ اعكس عملية التركيب أعلاه لفك الواقي.
- أثناء الخلط؛ يمكن إضافة المكونات مباشرة إلى الوعاء عبر الأنبوب.

### العناية والتنظيف

- دائماً أوقف التشغيل وافصل الجهاز من الكهرباء قبل التنظيف.

#### وحدة الطاقة

- امسح بقطعة قماش رطبة ثم جففها.
  - لا تستخدم مواد أكالة ولا تغمره في الماء.
- #### الوعاء، الأدوات، واقي الرذاذ، الواقي القابل للفك، خطاف العجين
- تغسل باليد ثم يجفف تماماً أو تغسل في غسالة الصحون.
  - لا تستخدم فرشاة سلكية، ولا صوفاً معدنياً ولا مبيضاً لتنظيف وعاء الستانلس ستيل.
  - استخدم الخل لإزالة الجير.
  - أبعاد الجهاز عن الحرارة (أعلى الموقد، الفرن، الميكروويف).

## أدوات الخلط وبعض استخداماتها

### الخفاق

- لعمل الكيك والبسكويت والمعجنات والمثلجات والحشوات والحلويات والبطاطس المهروسة.

### المضرب

- للبيض والكريمة والزبد والعجينة الاسفنجية الخالية من الدهن، والمرنغ، وكيك الجبن، والسوفلية لا تستخدم المضرب مع المزيج السميك (كخفق الدهن والسكر مثلاً) - فقد يتلف.

### خطاف العجين

- لمزج الخميرة.

## لاستخدام الخلاط

- ١ اضغط ذراع تحرير الرأس لأسفل ① وارفع رأس الخلاط إلى أن تثبت في مكانها.
- ٢ اختر الأداة واضغطها في مقبس الأدوات ②
- تأكد أن الواقي مثبت في عمود خطاف العجين قبل الإدخال في المنفذ. بعد الإدخال: ركب الواقي في منفذ الخلاط لمنع دخول الطعام.
- ٣ ركب الوعاء في القاعدة ثم لفه في اتجاه عقارب الساعة لتثبيته ③.
- ٤ اضغط ذراع تحرير الرأس لأسفل واخفض رأس الخلاط إلى أن تثبت في مكانها.
- ٥ صل الكهرياء ثم شغل الجهاز ثم حول مفتاح السرعة إلى الوضع المرغوب. للإنهاء انتقل إلى 0.
- انتقل إلى النبض ⑥ للدورات القصيرة.
- ٦ افصل الجهاز من الكهرياء.
- ٧ ارفع رأس الخلاط، وأثناء الإمساك بها جيداً اسحب الأداة من المقبس.

### هام

- من العادي تحرك رأس الخلط عند خلط أطعمة ثقيلة مثل عججين الخبز.
- إذا لم ترتفع رأس الخلاط أثناء العمل؛ فسيوقف الجهاز عن العمل مباشرة. ولإعادة تشغيله؛ اخفض رأس الخلاط، ثم حول مفتاح السرعة إلى وضع الإنهاء، وانتظر بضع ثوان ثم أعد اختيار السرعة. يجب أن يستأنف الخلاط العمل مباشرة.
- وإذا انقطعت الكهرياء عن الجهاز لأي سبب مما أدى إلى توقفه عن العمل؛ حول مفتاح السرعة إلى وضع الإنهاء، وانتظر بضع ثوان ثم أعد اختيار السرعة. يجب أن يستأنف الخلاط العمل مباشرة.
- لن يعمل الخلاط إلا إذا كانت جميع أغطية المنافذ صحيحة التثبيت في الجهاز.
- إذا كان صوت الجهاز مزعجاً؛ فأوقف تشغيله وأخرج بعض المزيج أو زد السرعة.
- أزيل دائماً الملحق المركب على مخرجي السرعتين المتوسطة والعالية قبل رفع رأس الخلاط.

### نصائح

- أوقف الجهاز ونظف الوعاء بملعقة عند الحاجة.
- أفضل شيء للبيض عند الخفق أن يكون على درجة حرارة الغرفة.
- قبل خفق البيض؛ تأكد أنه لا يوجد شحم أو صفار البيض على المضرب أو الوعاء.
- استخدم مكونات باردة للمعجنات ما لم تتطلب الوصفة غير ذلك.
- عند خفق الدهن والسكر لإعداد الكيك؛ استخدم الدهن (السمن) عند درجة حرارة الغرفة أو حوله إلى الحالة السائلة أولاً.
- يحتوي الخلاط على وظيفة "البداية الخفيفة" لتقليل الانسكاب.
- ولكن؛ عند تشغيل الجهاز مع وجود مزيج سميك في الوعاء مثل عجينة الخبز؛ فقد تلحظ أن الخلاط يستغرق بضع ثوان لبلوغ السرعة المحددة.

## نقاط عند إعداد الخبز

### هام

- لا تتجاوز السعات القصوى المحددة - فذلك يزيد الحمل على الجهاز.
- من العادي تحرك رأس الخلط عند خلط أطعمة ثقيلة مثل عججين الخبز.
- تختلط المكونات بشكل أفضل عند وضع السوائل أولاً.
- أوقف الجهاز على فترات واكشط المزيج عن خطاف العجين.
- تتنوع العجنات المختلفة من الدقيق بشكل واضح في كميات السائل المطلوبة، وقد يكون للاتصاق العجين أثر ملحوظ على الحمل الواقع على الجهاز. ينصح بمراقبة الجهاز أثناء مزج العجين، لن تستغرق العملية أكثر من ٦ - ٨ دقائق.

## مفتاح السرعة

- هذه مجرد إرشادات وتتنوع تبعاً لمقدار المزيج في الوعاء والمكونات الجاري مزجها.

### الخفاق

- خفق الدهن والسكر: ابدأ تدريجياً ثم انتقل إلى سرعة أعلى
- خفق البيض في مزيج الكريمة: استخدم السرعة المتوسطة والعليا
- ضم الطحين والفاكهة: استخدم السرعة المنخفضة والمتوسطة
- الكيك الشامل: ابدأ على سرعة منخفضة تدريجياً ثم انتقل إلى سرعة أعلى
- فرك الدهن في الفاكهة: استخدم السرعة المنخفضة والمتوسطة

### المضرب

- زد السرعة تدريجياً إلى الحد الأقصى

## قبل استخدام جهاز/ملحقات Kenwood

- اقرني التعليمات التالية واحتفظي بها في المتناول للاستخدامات المستقبلية المرجعية.
- أزيل مكونات التغليف وأية موصقات.
- اغسلي الأجزاء المسموح بغسلها: راجعي قسم "العناية والتنظيف".
- أدخل ما يزيد عن حاجتك من السلك الكهربائي في حيز التخزين الموجود في الجانب الخلفي للجهاز.

## السلامة

- أوقف تشغيل الجهاز وافصله عن مصدر التيار الكهربائي قبل تركيب أو إزالة الملحقات وبعد الاستخدام وقبل التنظيف.
- لا تترك السلك يتدلى بحيث يمكن للأطفال الإمساك به.
- أبعدي أصابعك عن الأجزاء المتحركة والأدوات والملحقات التي تم تركيبها. يحذر إدخال الأصابع وغيرها من الأجسام داخل الآلية المفصليّة.
- يحذر ترك الجهاز دون ملاحظة أثناء تشغيله.
- يحذر استخدام جهاز أو ملحق تالف. في مثل هذه الحالة يجب فحص الجهاز أو إصلاحه: راجعي قسم "الصيانة ورعاية العملاء".
- لا تسمح بابتلال وحدة الطاقة أو السلك أو القابس.
- لا تستخدم ملحقات غير معتمدة ولا أكثر من ملحق في نفس الوقت.
- عند استخدام ملحق، اقرني أيضاً معلومات السلامة المزودة في هذا الدليل والمتعلقة بهذا المنتج المعين.
- لا تتجاوز السعات القصوى في.
- توخ الحذر عند رفع هذا الجهاز. تأكد أن الرأس مقفلة وأن الوعاء والأدوات والأسلاك مثبتة قبل الرفع.
- هذا الجهاز غير مخصص للاستخدام من قبل أشخاص (بمن فيهم الأطفال) ذوي انخفاض في القدرات الجسدية أو الحسية أو العقلية أو لمن دون خبرة أو معرفة بالجهاز، ما لم يتم الإشراف عليهم أو إعطائهم تعليمات بشأن استخدام الجهاز من قبل الشخص المسؤول عن سلامتهم.
- يجب الإشراف على الأطفال للتأكد من عدم عبثهم بالجهاز.
- استخدم الجهاز فقط في الاستخدامات المنزلية المخصص لها. لن تتحمل شركة Kenwood أية مسؤولية في حالة استخدام الجهاز بطريقة غير صحيحة أو عدم الامتثال للتعليمات المذكورة.

## قبل توصيل الجهاز بمصدر التيار الكهربائي

- يجب التأكد من تماثل مواصفات المصدر الكهربائي مع المواصفات الموضحة على الجانب السفلي للجهاز.
- يتوافق هذا الجهاز مع توجيهات الاتحاد الأوروبي 2004/108/EC بشأن التوافق الكهرومغناطيسي وتنظيمات الاتحاد الأوروبي رقم 1935/2004 الصادرة بتاريخ ٢٠٠٤/١٠/٢٧ والمتعلقة بالمواد المتلامسة مع الأطعمة.

## الدليل

### جهاز تحضير الطعام

- ① منفذ السرعة المتوسطة
- ② منفذ السرعة العالية
- ③ مقبس الأدوات
- ④ ذراع تحرير الرأس
- ⑤ رأس الخلاط
- ⑥ وعاء
- ⑦ مفتاح التشغيل والسرعة
- ⑧ وحدة الطاقة
- ⑨ حجرة تخزين السلك
- ⑩ الخفاق
- ⑪ خطاف العجين مع واقي قابل للفك
- ⑫ المضرب
- ⑬ مانع رذاذ

### الملحقات

- ليس بالضرورة تزويد كل الملحقات المدرجة داخل صندوق بيع جهاز تحضير الطعام لديك. تختلف الملحقات تبعاً لاختلاف موديلات الجهاز.

⑭ الخلاط (الموديلان AT282 و AT283)

⑮ المطحنة (الموديل AT286)

⑯ عصارة الموالح

⑰ معالج الطعام (الموديل AT284)

⑱ عصارة الطرد المركزي (الموديل AT285)

⑲ مفرمة متعددة الاستخدامات (الموديل AT281)





HEAD OFFICE: Kenwood Limited, 1-3 Kenwood Business Park, New Lane, Havant, Hampshire PO9 2NH

[kenwoodworld.com](http://kenwoodworld.com)

# KENWOOD

CREATE MORE

## Free Manuals Download Website

<http://myh66.com>

<http://usermanuals.us>

<http://www.somanuals.com>

<http://www.4manuals.cc>

<http://www.manual-lib.com>

<http://www.404manual.com>

<http://www.luxmanual.com>

<http://aubethermostatmanual.com>

Golf course search by state

<http://golfingnear.com>

Email search by domain

<http://emailbydomain.com>

Auto manuals search

<http://auto.somanuals.com>

TV manuals search

<http://tv.somanuals.com>