

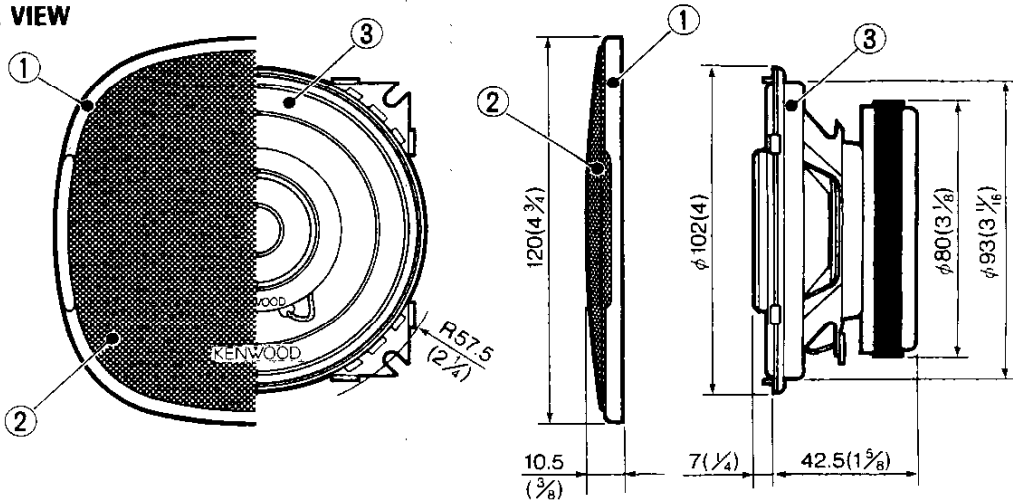
KFC-1072

SERVICE MANUAL

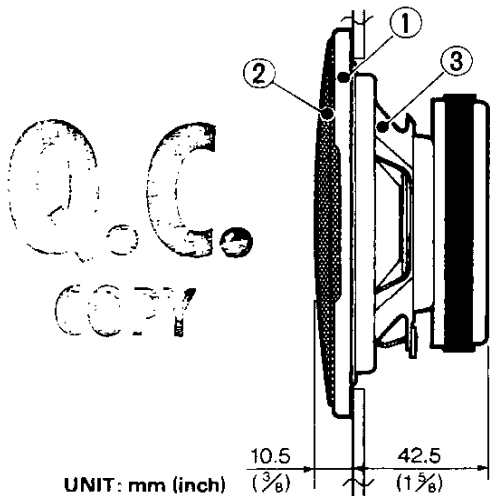
KENWOOD

©1988-10 PRINTED IN JAPAN
B51-3691-00(B)1878

EXTERNAL VIEW






UNIT: mm (inch)



UNIT: mm (inch)

PARTS INCLUDED

-  3m(10ft)..... x 2
-  $\phi 4-20(\frac{3}{16} - \frac{13}{16})$ x 8
-  x 8

SPECIFICATIONS

- Speakers
- Woofer 10cm(4 in) Water proof treatment cone type 167g(6oz) Magnet
 - Mid-Range 4cm(1 5/16 in) cone type
 - Peak power 45 Watts
 - Frequency Response 60 Hz ~ 21,000Hz
 - Sensitivity 90 dB/W at 1m
 - Impedance 4 ohms
 - Weight per speaker with grille 0.62kg(1 lb 6oz)/pc

We follow a policy of advancements in development.
For this reason specifications may be changed without notice.

PARTS LIST

★ New parts
Parts without **Parts No.** are not supplied.
Les articles non mentionnés dans le **Parts No.** ne sont pas fournis.
Teile ohne **Parts No.** werden nicht geliefert.

Ref No.	New Parts	Parts No.	Description
①	★	B06-0319-08	FRONT GRILLE
	★	E30-1238-08	CORD SET
②	★	F09-0889-08	PROTECTOR
	★	N99-1088-08	SCREW SET
③	★	T15-0127-08	SPEAKER

Free Manuals Download Website

<http://myh66.com>

<http://usermanuals.us>

<http://www.somanuals.com>

<http://www.4manuals.cc>

<http://www.manual-lib.com>

<http://www.404manual.com>

<http://www.luxmanual.com>

<http://aubethermostatmanual.com>

Golf course search by state

<http://golfingnear.com>

Email search by domain

<http://emailbydomain.com>

Auto manuals search

<http://auto.somanuals.com>

TV manuals search

<http://tv.somanuals.com>