

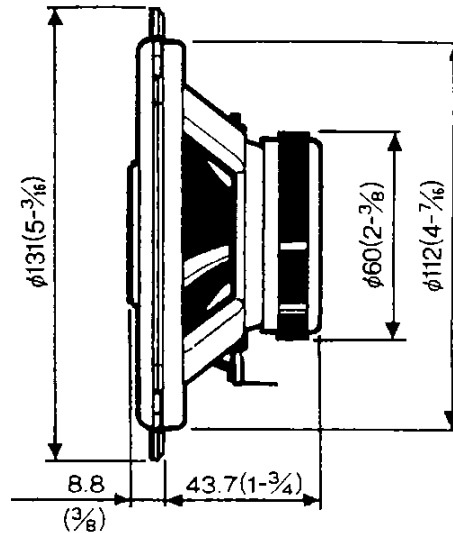
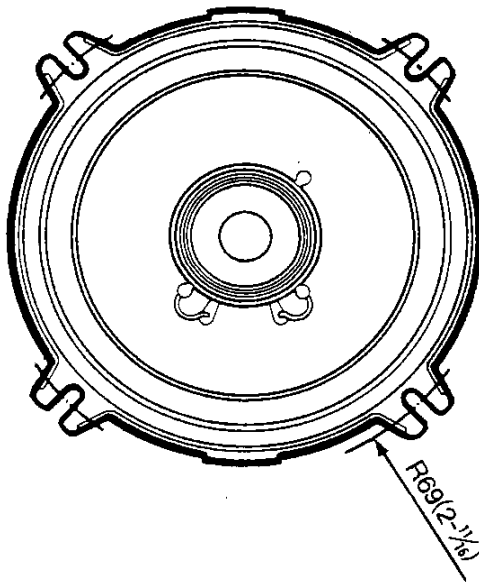
KFC-1323C

SERVICE MANUAL

KENWOOD

© 1990-10 PRINTED IN JAPAN
B51-6237-00 (O) 1397

EXTERNAL VIEW



UNIT : mm (inch)

SPECIFICATIONS

- Speakers
- Woofer 13cm (5-1/4in) Water Proof Treatment
Cone Type 81g (2.9oz) Magnet
 - Tweeter 4cm (1-9/16in) Cone type
 - Peak Power 60 Watts
 - Frequency Response 50Hz~20,000Hz
 - Sensitivity 91dB/W at 1m
 - Impedance 4 Ohms
 - Weight Per Speaker 0.33kg (11.6oz) /Pc.

We follow a policy of advancements in development.
For this reason specifications may be changed without notice.

PARTS INCLUDED

- 4.5m(15ft) X 2
- $\phi 4-20(3/16-13/16)$ X 8
- X 8

PARTS LIST

* New parts
Parts without parts **No.** are not supplied.

Ref No.	New Parts	Parts No.	Description
		B46-0100-20	WARRANTY CARD
		E30-5058-08	CORD SET
		N99-1088-08	SCREW SET
		T15-0177-08	SPEAKER

Q.C.
COPY

Free Manuals Download Website

<http://myh66.com>

<http://usermanuals.us>

<http://www.somanuals.com>

<http://www.4manuals.cc>

<http://www.manual-lib.com>

<http://www.404manual.com>

<http://www.luxmanual.com>

<http://aubethermostatmanual.com>

Golf course search by state

<http://golfingnear.com>

Email search by domain

<http://emailbydomain.com>

Auto manuals search

<http://auto.somanuals.com>

TV manuals search

<http://tv.somanuals.com>