

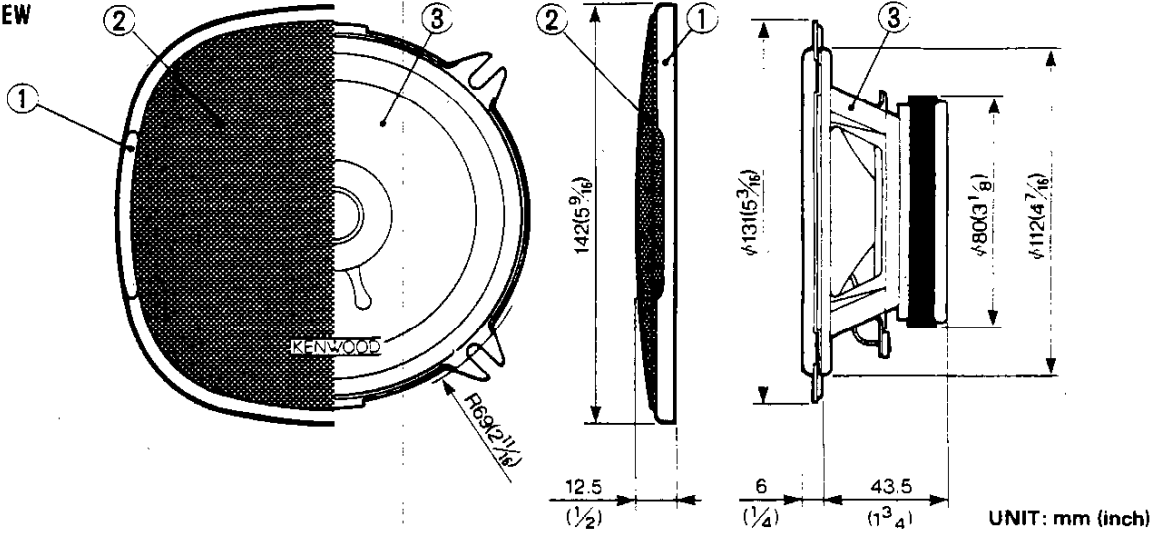
KFC-1362

SERVICE MANUAL




KENWOOD

© 1988-12 PRINTED IN JAPAN
B51-3775-00(B)2020

EXTERNAL VIEW



PARTS INCLUDED

-  4.5m(15ft)..... X2
-  $\phi 4-20(3/16-3/4)$ X8
-  X8

SPECIFICATIONS

- Speaker.....13cm(5 1/4in) Water proof treatment
cone type
167g(5.9oz) Magnet
- Peak power.....50 Watts
- Frequency Response.....60Hz - 20,000Hz
- Sensitivity.....91dB/W at 1m
- Impedance.....4 ohms
- Weight per speaker with grille.....0.60kg(1lb 5oz)/pc

We follow a policy of advancements in development.
For this reason specifications may be changed without notice.

PARTS LIST

★ New parts
Parts without **Parts No.** are not supplied.
Les articles non mentionnés dans le **Parts No.** ne sont pas fournis.
Teile ohne **Parts No.** werden nicht geliefert.

Ref No.	New Parts	Parts No.	Description
①	★	B06-0318-08	FRONT GRILLE
		B46-0100-10	WARRANTY CARD
	★	E30-1237-08	CORD SET
②	★	F09-0888-08	PROTECTOR
	★	N99-1088-08	SCREW SET
③	★	T07-0144-08	SPEAKER

Free Manuals Download Website

<http://myh66.com>

<http://usermanuals.us>

<http://www.somanuals.com>

<http://www.4manuals.cc>

<http://www.manual-lib.com>

<http://www.404manual.com>

<http://www.luxmanual.com>

<http://aubethermostatmanual.com>

Golf course search by state

<http://golfingnear.com>

Email search by domain

<http://emailbydomain.com>

Auto manuals search

<http://auto.somanuals.com>

TV manuals search

<http://tv.somanuals.com>