

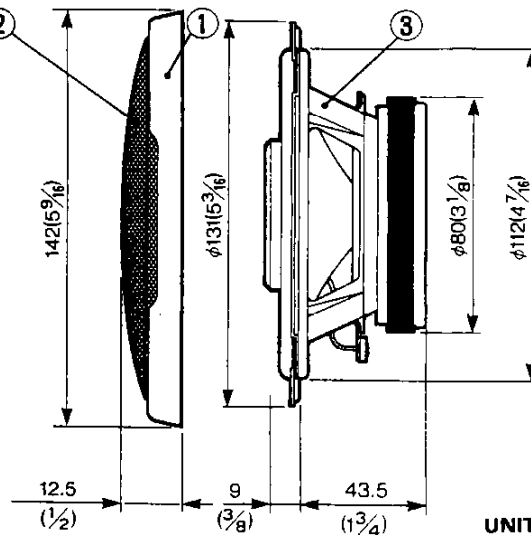
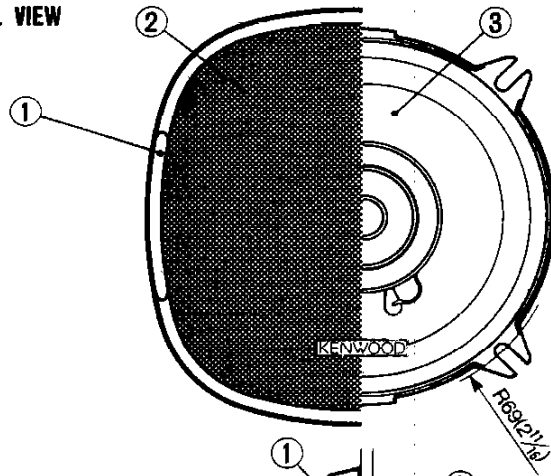
KFC-1372

SERVICE MANUAL

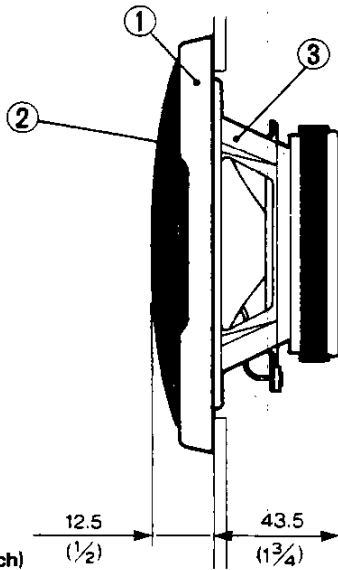
KENWOOD

©1988-12 PRINTED IN JAPAN
B51-3769-00(B)1870

EXTERNAL VIEW

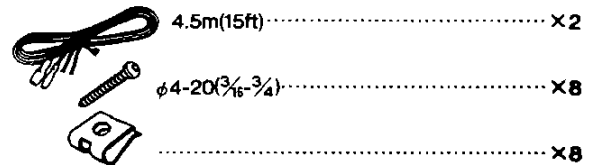


UNIT: mm (inch)



UNIT: mm (inch)

PARTS INCLUDED



PARTS LIST

★ New parts

Parts without Parts No. are not supplied.

Les articles non mentionnés dans le Parts No. ne sont pas fournis.

Teile ohne Parts No. werden nicht geliefert.

| Ref No. | New Parts | Parts No. | Description |
|---------|-----------|-------------|---------------|
| ① | ★ | B06-0318-08 | FRONT GRILLE |
| | | B46-0100-10 | WARRANTY CARD |
| ② | ★ | E30-1237-08 | CORD SET |
| | | F09-0888-08 | PROTECTOR |
| ③ | ★ | N99-1088-08 | SCREW SET |
| | ★ | T15-0126-08 | SPEAKER |

SPECIFICATIONS

Speakers

| | |
|--------------------------------|---|
| Woofers | 13cm(5 1/4in) Water proof treatment cone type |
| | 167g(5.9oz) Magnet |
| Tweeter | 4cm(1 9/16in) cone type |
| Peak power | 50Watts |
| Frequency Response | 50Hz ~ 20,000Hz |
| Sensitivity | 91dB/W at 1m |
| Impedance | 4 ohms |
| Weight per speaker With grille | 0.62kg(1lb 6oz)/pc |

We follow a policy of advancements in development.
For this reason specifications may be changed without notice.

Free Manuals Download Website

<http://myh66.com>

<http://usermanuals.us>

<http://www.somanuals.com>

<http://www.4manuals.cc>

<http://www.manual-lib.com>

<http://www.404manual.com>

<http://www.luxmanual.com>

<http://aubethermostatmanual.com>

Golf course search by state

<http://golfingnear.com>

Email search by domain

<http://emailbydomain.com>

Auto manuals search

<http://auto.somanuals.com>

TV manuals search

<http://tv.somanuals.com>