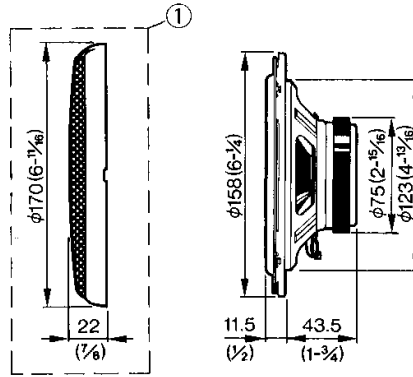
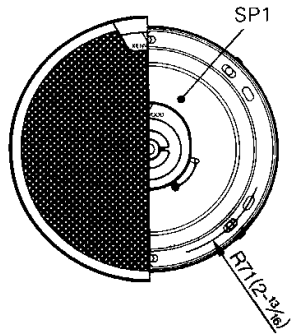


DOOR/REAR DECK SPEAKER  
**KFC-167X**  
 SERVICE MANUAL

**KENWOOD**

©1996-1 PRINTED IN JAPAN  
 B51-6951-00 (MC) 291

**EXTERNAL VIEW**



Unit: mm (inch)

**PARTS INCLUDED**

- ① ..... × 2
- ② ..... × 2
- ③ ..... × 6
- ④ ..... × 6

**PARTS LIST**

★ New parts  
 Parts without **Parts No.** are not supplied.  
 Les articles non mentionnés dans le **Parts No.** ne sont pas fournis.  
 Teile ohne **Parts No.** werden nicht geliefert.

Ref No.	New Parts	Parts No.	Description
①		B06-0975-08	Grille ass'y
②		E30-5283-08	Speaker cord
③, ④		N99-1086-18	Screw set
SP1	★	T15-0325-08	Speaker

**SPECIFICATIONS**

- Speakers
- Woofers ..... 158mm (6in) Injection P.P.  
 Cone Type 180g (6.5oz) Magnet
  - Tweeter ..... 30mm (1-3/8in) P.P.T.A. Balanced Dome Type
  - Peak Power ..... 100 Watts
  - Frequency Response ..... 40Hz ~ 25,000Hz
  - Sensitivity ..... 92dB/W at 1m
  - Impedance ..... 4 Ohms
  - Net Weight With Grille ..... 1,400g (3.1lb)/Pair

**Note:**  
 We follow a policy of advancements in development.  
 For this reason specifications may be changed without notice.

**KENWOOD CORPORATION**

14-6, Dogenzaka 1-chome, Shibuya-ku, Tokyo, 150 Japan  
**KENWOOD SERVICE CORPORATION**  
 P.O. BOX 22745, 2201 East Domingue St., Long Beach, CA 90801-5745 U.S.A.  
**KENWOOD ELECTRONICS CANADA INC.**  
 6070 Kenval Road, Mississauga, Ontario, Canada L5T 1S8  
**KENWOOD ELECTRONICS LATIN AMERICA S.A.**  
 P.O. BOX 55-2791, Piso 6 Plaza Citicem, Cl. 47 y Asfultro de la Guacida, Panama, Republica de Panama  
**TRIO-KENWOOD U.K. LIMITED**  
 KENWOOD House, Dwligh Road, Watford, Herts, WD1 15B United Kingdom  
**KENWOOD ELECTRONICS BENELUX N.V.**  
 Mechelsesteenweg 418 B-1830 Zaventem, Belgium  
**KENWOOD ELECTRONICS DEUTSCHLAND GMBH**  
 Reimbuckstr. 16, 63150 Heusenstamm, Germany  
**TRIO-KENWOOD FRANCE S.A.**  
 13 Boulevard Ney, 75010 Paris, France  
**KENWOOD ELECTRONICS ITALIA S.p.A.**  
 Via G. Satorri 7/9, 20123 Milano, Italy  
**KENWOOD IBERICA S.A.**  
 Bofra, 290 06020 Barcelona, Spain  
**KENWOOD ELECTRONICS AUSTRALIA PTY. LTD. (A.C.N. 001 499 074)**  
 P.O. BOX 501, 6 Fagras Drive, Australia Centre, Haverthigh, N.S.W. 2140, Australia  
**KENWOOD & LEE ELECTRONICS, LTD.**  
 Unit 3712 3724, Level 37 Tower 1, Metroplex, 223 Hong Fong Road, Kwai Fong N.T. Hong Kong  
**KENWOOD ELECTRONICS SINGAPORE PTE LTD.**  
 No. 1 Geylang Lane, F 07-00, KENWOOD Building, Singapore, 348544  
**KENWOOD ELECTRONICS (MALAYSIA) SDN BHD**  
 10 th Floor, Block B, Wisma Sentantan, No. 12, Jalan Galinggang, Bukit Tandang, 50460 Kuala Lumpur, Malaysia

## Free Manuals Download Website

<http://myh66.com>

<http://usermanuals.us>

<http://www.somanuals.com>

<http://www.4manuals.cc>

<http://www.manual-lib.com>

<http://www.404manual.com>

<http://www.luxmanual.com>

<http://aubethermostatmanual.com>

Golf course search by state

<http://golfingnear.com>

Email search by domain

<http://emailbydomain.com>

Auto manuals search

<http://auto.somanuals.com>

TV manuals search

<http://tv.somanuals.com>