

# KFC-P722

## SERVICE MANUAL

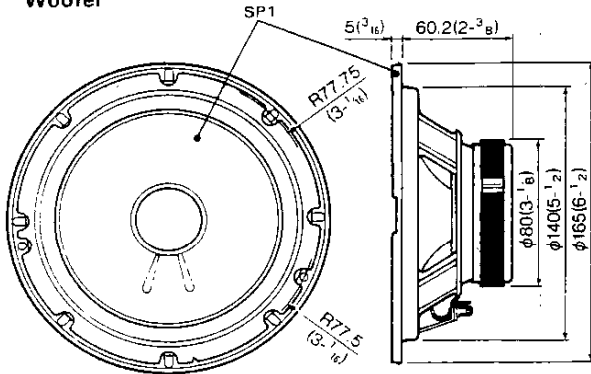
# KENWOOD

# Q.C.

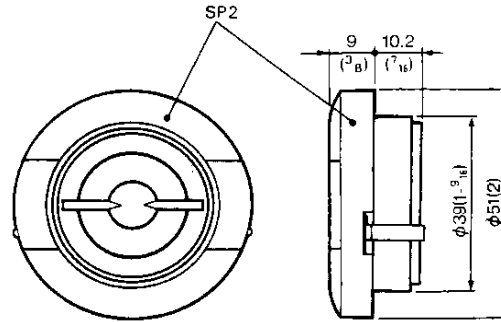
©1992-4 PRINTED IN JAPAN  
B51-6468-00 (MC) 1519

### EXTERNAL VIEW

Woofer



Tweeter

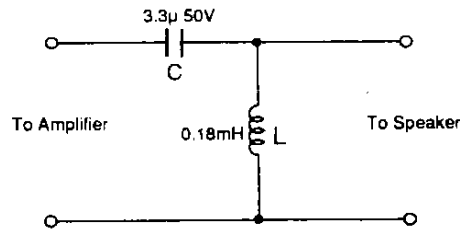


### PARTS INCLUDED

- 1  $\phi 4 \times 16 (\phi^{3/16} \times 5/8)$  ..... X12
- 2  $\phi 4 \times 6 (\phi^{3/16} \times 1/4)$  ..... X2
- 3 M3  $\times 12 (M^{1/8} \times 1/2)$  ..... X4
- 4 M4  $\times 6 (M^{3/16} \times 1/4)$  ..... X2
- 5 M3 (M $1/8$ ) ..... X4
- 6 M3 (M $1/8$ ) ..... X4
- 7 M3 (M $1/8$ ) ..... X4
- 8 ..... X2
- 9 ..... X2
- 10 15cm (0.5ft) ..... X2
- 11 2m (6.5ft) ..... X2
- 12 5m (16.4ft) ..... X2
- 13 ..... X2

### NETWORK

\* This network is for the connection cords in the tweeter.



### PARTS LIST

\* New parts  
Parts without **Parts No.** are not supplied.  
Les articles non mentionnés dans le **Parts No.** ne sont pas fournis.  
Teile ohne **Parts No.** werden nicht geliefert.

Ref. No.	New Parts	Parts No.	Description
SP1	★	T10-0555-08	SPEAKER (WOOFER)
SP2	★	T03-0402-08	SPEAKER (TWEETER)
① - ⑦	★	N99-1224-08	SCREW SET
⑧	★	J21-8093-08	BRACKET (A)
⑨	★	J21-8094-08	BRACKET (D)
⑩ - ⑫	★	E30-5121-08	CORD SET
⑬	★	J30-0839-08	SPACER

## Free Manuals Download Website

<http://myh66.com>

<http://usermanuals.us>

<http://www.somanuals.com>

<http://www.4manuals.cc>

<http://www.manual-lib.com>

<http://www.404manual.com>

<http://www.luxmanual.com>

<http://aubethermostatmanual.com>

Golf course search by state

<http://golfingnear.com>

Email search by domain

<http://emailbydomain.com>

Auto manuals search

<http://auto.somanuals.com>

TV manuals search

<http://tv.somanuals.com>