

KENWOOD

KAC-7204

STEREO/BRIDGEABLE POWER AMPLIFIER ▶ page 2-5

INSTRUCTION MANUAL

AMPLIFICATEUR DE PUISSANCE STEREO/COMPATIBLE ▶ page 6-9

MODE D'EMPLOI

ESTÉREO/AMPLIFICADOR DE POTENCIA CONECTABLE ▶ página 10-13

MANUAL DE INSTRUCCIONES

Kenwood Corporation



Take the time to read through this instruction manual. Familiarity with installation and operation procedures will help you obtain the best performance from your new power amplifier.

For your records

Record the serial number, found on the back of the unit, in the spaces designated on the warranty card, and in the space provided below. Refer to the model and serial numbers whenever you call upon your Kenwood dealer for information or service on the product.

Model KAC-7204 Serial number _____

US Residence Only

Register Online

Register your Kenwood product at
www.kenwoodusa.com

© B64-3928-00/00 (KV/EV)

Safety precautions

▲WARNING

To prevent injury or fire, take the following precautions:

- When extending the ignition, battery, or ground wires, make sure to use automotive-grade wires or other wires with a 8 mm² (AWG 8) or more to prevent wire deterioration and damage to the wire coating.
- To prevent a short circuit, never put or leave any metallic objects (such as coins or metal tools) inside the unit.
- If the unit starts to emit smoke or strange smells, turn off the power immediately and consult your Kenwood dealer.
- Do not touch the unit during use because the surface of the unit becomes hot and may cause burns if touched.
- Mounting and wiring this product requires skills and experience. For safety's sake, leave the mounting and wiring work to professionals.

▲CAUTION

To prevent damage to the machine, take the following precautions:

- Be sure the unit is connected to a 12V DC power supply with a negative ground connection.
- Do not open the bottom covers of the unit.
- Do not install the unit in a spot exposed to direct sunlight or excessive heat or humidity. Also avoid places with too much dust or the possibility of water splashing.
- When replacing a fuse, only use a new one with the prescribed rating. Using a fuse with the wrong rating may cause your unit to malfunction.
- To prevent a short circuit when replacing a fuse, first disconnect the wiring harness.

NOTE

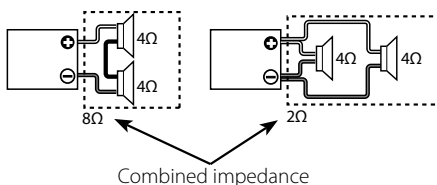
- If you experience problems during installation, consult your Kenwood dealer.
- If the unit does not seem to be working right, consult your Kenwood dealer.

Wiring

- Take the battery wire for this unit directly from the battery. If it's connected to the vehicle's wiring harness, it can cause blown fuses etc.
- If a buzzing noise is heard from the speakers when the engine is running, connect a line noise filter (optional) to each of the battery wire.
- Do not allow the wire to directly contact the edge of the iron plate by using Grommets.
- Connect the ground wire to a metal part of the car chassis that acts as an electrical ground passing electricity to the battery's negative ⊖ terminal. Do not turn the power on if the ground wire is not connected.
- Be sure to install a protective fuse in the power cord near the battery. The protective fuse should be the same capacity as the unit's fuse capacity or somewhat larger.
- For the power cord and ground, use a vehicle type (fireproof) power wiring cord with a current capacity greater than the unit's fuse capacity. (Use a power wiring cord with a diameter of 8 mm² (AWG 8) or greater.)
- When more than one power amplifier are going to be used, use a power supply wiring wire and protective fuse of greater current-handling capacity than the total maximum current drawn by each amplifier.

Speaker selection

- The input power of the speakers that are going to be connected should be greater than the output power (in Watts) of the amplifier. Use of speakers having input power ratings that are less than the output power of the amplifier will cause smoke to be emitted as well as damage.
- The impedance of the speakers that are going to be connected should be 2Ω or greater (for stereo connections), or 4Ω or greater (for bridged connections). When more than one set of speakers are going to be used, calculate the combined impedance of the speakers and then connect suitable speakers to the amplifier.



Cleaning the unit

If the front panel gets dirty, turn off the power and wipe the panel with a dry silicon cloth or soft cloth.

▲CAUTION

Do not wipe the panel with a hard cloth or a cloth dampened by volatile solvents such as paint thinner and alcohol. They can scratch the surface of the panel and/or cause the indicator letters to peel off.

To prevent battery from running out

When the unit is used in the ACC ON position without turning the engine ON, it depletes the battery. Use it after starting the engine.

FCC WARNING

This equipment may generate or use radio frequency energy. Changes or modifications to this equipment may cause harmful interference unless the modifications are expressly approved in the instruction manual. The user could lose the authority to operate this equipment if an unauthorized change or modification is made.

FCC NOTE

This equipment has been tested and found to comply with the limits for a Class B digital device, pursuant to Part 15 of the FCC Rules. These limits are designed to provide reasonable protection against harmful interference in a residential installation. This equipment may cause harmful interference to radio communications, if it is not installed and used in accordance with the instructions. However, there is no guarantee that interference will not occur in a particular installation. If this equipment does cause harmful interference to radio or television reception, which can be determined by turning the equipment off and on, the user is encouraged to try to correct the interference by one or more of the following measures:

- Reorient or relocate the receiving antenna.
- Increase the separation between the equipment and receiver.
- Connect the equipment into an outlet on a circuit different from that to which the receiver is connected.
- Consult the dealer or an experienced radio/TV technician for help.



Declaration of Conformity with regard to the EMC Directive 2004/108/EC

Manufacturer:

Kenwood Corporation
2967-3 Ishikawa-machi, Hachioji-shi, Tokyo, 192-8525 Japan

EU Representative's:

Kenwood Electronics Europe BV
Amsterdamseweg 37, 1422 AC UITHOORN, The Netherlands

Information on Disposal of Old Electrical and Electronic Equipment (applicable for EU countries that have adopted separate waste collection systems)



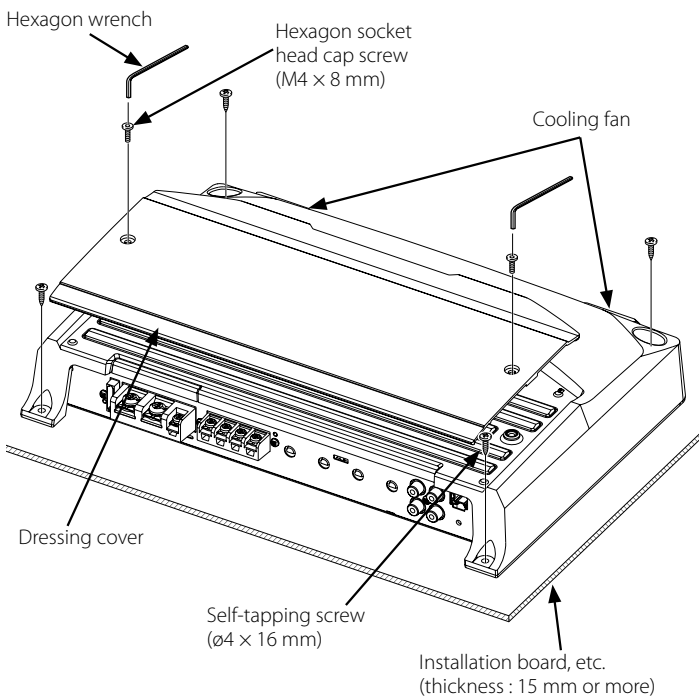
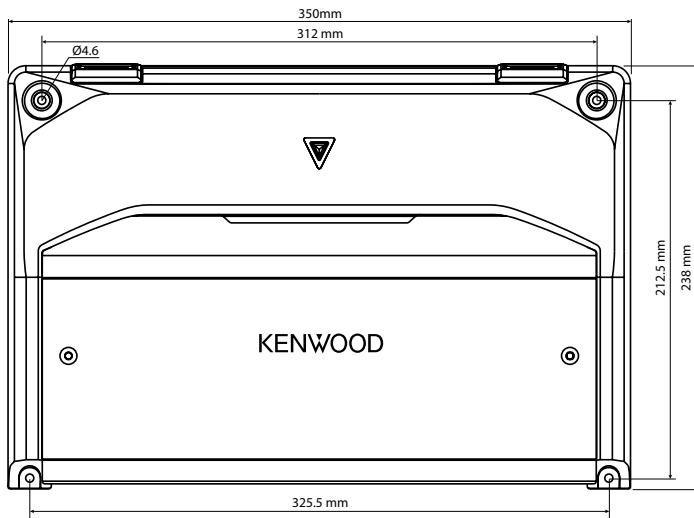
Products with the symbol (crossed-out wheeled bin) cannot be disposed as household waste.

Old electrical and electronic equipment should be recycled at a facility capable of handling these items and their waste byproducts.

Contact your local authority for details in locating a recycle facility nearest to you. Proper recycling and waste disposal will help conserve resources whilst preventing detrimental effects on our health and the environment.

This Product is not installed by the manufacturer of a vehicle on the production line, nor by the professional importer of a vehicle into an EU Member State.

Installation



Accessories

Part name	External View	Number of Items
Self-tapping screws (ø4 x 16 mm)		4
Terminal cover (Power terminal)		1
Speaker level input cable		1
Hexagon wrench		1

Installation procedure

Since there are large variety of settings and connections possible according to applications, read the instruction manual well to select the proper setting and connection.

1. Remove the ignition key and disconnect the negative \ominus terminal of the battery to prevent short circuits.
2. Set the unit according to the intended usage.
3. Connect the input and output wires of the units.
4. Connect the speaker wires.
5. Connect the power wire, power control wire and grounding wire following this order.
6. Install the installation fittings in the unit.
7. Attach the unit.
8. Connect the negative \ominus terminal of the battery.

⚠ CAUTION

- Do not install in the below locations; (Unstable location, In a location that interferes with driving, In a location that gets wet, In a dusty location, In a place that gets hot, In a place that gets direct sunlight, In a location that gets hit by hot air)
- Do not install the unit under the carpet. Otherwise heat build-up occurs and the unit may be damaged.
- Install this unit in a location which allows heat to easily dissipate. Once installed, do not place any object on top of the unit.
- The surface temperature of the amplifier will become hot during use. Install the amplifier in a place where people, resins, and other substances that are sensitive to heat will not come into contact with it.
- This unit has cooling fan to decrease the internal temperature. Do not mount the unit in a place where the cooling fan and ducts of the unit are blocked. Blocking these openings will inhibit the cooling of the internal temperature and result in malfunction.
- When making a hole under a seat, inside the trunk, or somewhere else in the vehicle, check that there is nothing hazardous on the opposite side such as a gasoline tank, brake pipe, or wiring harness, and be careful not to cause scratches or other damage.
- Do not install near the dashboard, rear tray, or air bag safety parts.
- The installation to the vehicle should securely fasten the unit to a place in which it will not obstruct driving. If the unit comes off due to a shock and hits a person or safety part, it may cause injury or an accident.
- After installing the unit, check to make sure that electrical equipment such as the brake lamps, turn signal lamps and windshield wipers operate normally.

Protection function

The protection function is activated in the following situations:

This unit is equipped with a protection function for protecting this unit and your speakers from various accidents or problems that can occur.

When the protection function is triggered, the Power indicator goes OFF and the amplifier stops operating.

- When a speaker wire may be short-circuited.
- When a speaker output contacts ground.
- When the unit malfunctions and a DC signal is sent to the speaker output.
- When the internal temperature is high and unit won't operate.
- When a ground wire of the center unit (cassette receiver, CD receiver, etc.) or this unit is not connected to a metal part serving as an electrical ground passing electricity to the battery's negative \ominus terminal.

⚠ WARNING

To prevent fire caused by a short in the wiring, connect a fusible link or breaker nearby the battery's positive terminal.



⚠ CAUTION

- If sound is not output normally, immediately turn power off and check connections.
- Be sure to turn the power off before changing the setting of any switch.
- If the fuse blows, check wires for shorts, then replace the fuse with one of the same rating.
- Check that no unconnected wires or connectors are touching the car body. Do not remove caps from unconnected wires or connectors to prevent short circuits.
- Connect the speaker wires to appropriate speaker connectors separately. Sharing the negative wire of the speaker or grounding speaker wires to the metal body of the car can cause this unit to fail.

NOTE

- Do not connect cables and leads to both RCA cable input jacks and the speaker level input terminals simultaneously, for this may cause malfunction or damage.

Speaker level input connections

- The genuine-accessory car stereo shall have a maximum power output of no more than 40 W.
- The power is turned on and off as the unit detects input signal (Signal Sensing Turn-ON). There fore it is not necessary to connect the power control wire.

Speaker output terminals

- **Stereo Connections:**
The speakers to be connected should have an impedance of 2Ω or greater.
- **Bridged Connections:**
Make connections to the LEFT channel ⊕ and the RIGHT channel ⊖ SPEAKER OUTPUT terminals. The speakers to be connected should have an impedance of 4Ω or greater.

LINE OUT terminal

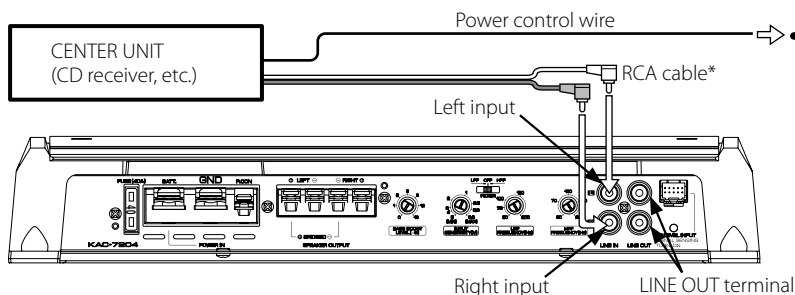
The signal that's input from the line input terminal is output.

Fuse

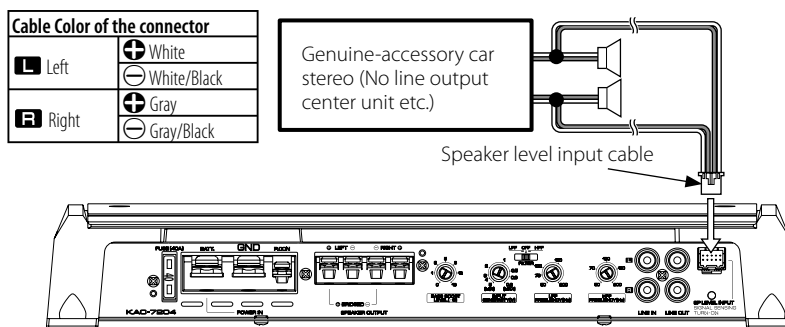
40 A × 1

RCA cable or Speaker level input connection

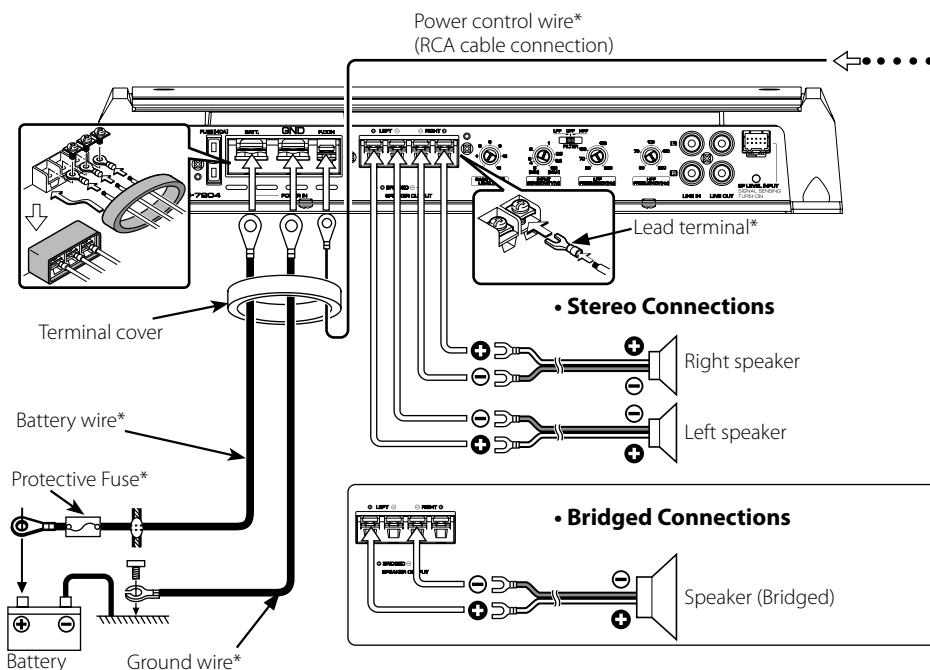
• RCA cable connections

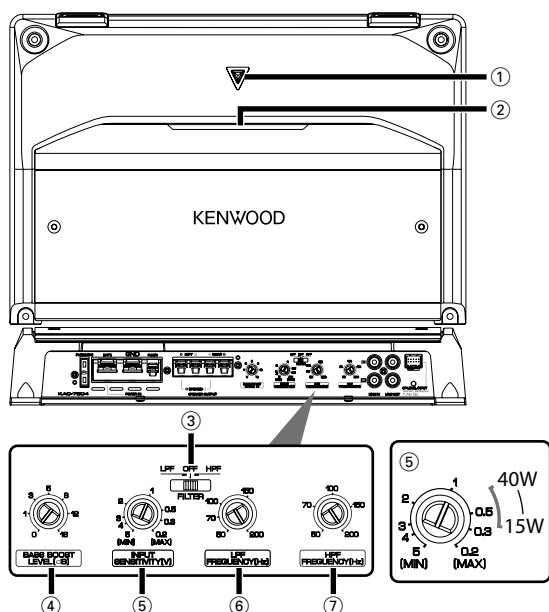


• Speaker level input connections



Power wire and Speaker wire connection





① Power indicator

When the power is turned on, the Power indicator lights.
If the Power indicator does not light when the power is turned on, the protection function may be activated. Check whether there is any indication of trouble. Refer to <Protection function> (page 3).

② Illumination

③ FILTER switch

This switch allows to apply high-pass or low-pass filtering to the speaker outputs.

• HPF (High-Pass Filter) position:

The filter outputs the band of higher frequencies than the frequency set with the "HPF FREQUENCY" control.

• OFF position:

The entire bandwidth is output without filtering.

• LPF (Low-Pass Filter) position:

The filter outputs the band of lower frequencies than the frequency set with the "LPF FREQUENCY" control.

The speaker output is automatically switched to monaural (L+R).

④ BASS BOOST LEVEL control

Sets the low frequency level to be compensated.

⑤ INPUT SENSITIVITY control

Set this control according to the pre-output level of the center unit connected with this unit, or to the maximum power output of the genuine-accessory car stereo.

Use the diagram on the right as a guide.

⑥ LPF FREQUENCY control

Sets the cutoff frequency when the "FILTER" switch is set to "LPF".

⑦ HPF FREQUENCY control

Sets the cutoff frequency when the "FILTER" switch is set to "HPF".

What might appear to be a malfunction in your unit may just be the result of slight misoperation or miswiring. Before calling service, first check the following table for possible problems.

No sound. (Blown fuse.)

- ✓ Input (or output) cables are disconnected.
 - ✎ Connect the input (or output) cables.
- ✓ Protection circuit may be activated.
 - ✎ Check connections by referring to <Protection function>.
- ✓ Volume is too high.
 - ✎ Replace the fuse and use lower volume.
- ✓ The speaker cord is shorted.
 - ✎ After check the speaker cord and fixing the cause of the short, replace the fuse.

The output level is too small (or too large).

- ✓ The input sensitivity adjusting control is not set to the correct position.
 - ✎ Adjust the control correctly referring to <Controls>.

The sound quality is bad. (The sound is distorted.)

- ✓ The speakers wire are connected with wrong \oplus / \ominus polarity.
 - ✎ Connect them properly checking the \oplus / \ominus of the terminals and wires well.
- ✓ A speaker wire is pinched by a screw in the car body.
 - ✎ Connect the speaker wire again so that it is not pinched by anything.
- ✓ The switches may be set improperly.
 - ✎ Set switches properly by referring to <Controls>.

Specifications

CEA-2006

Primary Power Output Ratings (RMS Watts per channel @ 4 ohms, 1 % THD+N)	170 W x 2
Signal to Noise Ratio (Reference: 1Watt into 4 ohms)	83 dBA



Audio Section

Max Power Output	1000 W (500 W x 2)
Rated Power Output (+B = 14.4 V)	
Normal (4 Ω) (20 Hz - 20 kHz, 0.08 % THD)	170 W x 2
(4 Ω) (DIN : 45324 , +B = 14.4V)	170 W x 2
(2 Ω) (1 kHz, 0.8 % THD)	250 W x 2
Bridged (4 Ω) (1 kHz, 0.8 % THD)	500 W x 1
Frequency Response (+0, -3 dB)	5 Hz - 50 kHz
Sensitivity (rated output)	0.2 V - 5.0 V
Input Impedance	10 k Ω
Signal to Noise Ratio	100 dB
Low Pass Filter Frequency (-24 dB/oct.)	50 - 200 Hz (variable)
High Pass Filter Frequency (-12 dB/oct.)	50 - 200 Hz (variable)
Bass Boost Circuit (40 Hz)	0 - +18 dB (variable)

General

Operating Voltage	14.4 V (11 - 16 V allowable)
Current Consumption	40 A
Installation Size (W x H x D)	350 x 59 x 238 mm 13 3/4 x 2 5/16 x 9 3/8 inch
Weight	3.2 kg (7.0 lbs)

* Specifications subject to change without notice.

Précautions de sécurité

⚠️ AVERTISSEMENT

Pour éviter toute blessure et/ou incendie, veuillez prendre les précautions suivantes:

- Si vous prolongez un câble de batterie ou de masse, assurez vous d'utiliser un câble pour automobile ou un câble avec une section de 8 mm² (AWG8) afin d'éviter tous risques de détérioration ou d'endommagement du revêtement des câbles.
- Pour éviter les court-circuits, ne jamais mettre ou laisser d'objets métalliques (comme une pièce de monnaie ou un outil en métal) à l'intérieur de l'appareil.
- Si l'appareil commence à émettre de la fumée ou une odeur bizarre, mettez immédiatement l'appareil hors tension et consultez un revendeur Kenwood.
- Ne pas toucher l'appareil quand il est en service car la température de sa surface est suffisamment élevée pour provoquer des brûlures.
- Le montage et le câblage de ce produit nécessite des compétences et de l'expérience. Pour des raisons de sécurité, laissez un professionnel effectuer le travail de montage et de câblage.

⚠️ ATTENTION

Pour éviter tout dommage à l'appareil, veuillez prendre les précautions suivantes:

- Bien vérifier que l'appareil est raccordé à une source d'alimentation CC de 12 V avec raccordement de masse négative.
- N'ouvrez pas les couvercles inférieurs de l'appareil.
- N'installez pas l'appareil dans un endroit exposé directement à la lumière du soleil, à une chaleur excessive ou à l'humidité. Évitez aussi les endroits trop poussiéreux et où l'appareil risque d'être éclaboussé.
- Lors du remplacement d'un fusible, utilisez seulement un fusible neuf avec la valeur indiquée. L'utilisation d'un fusible d'une valeur différente peut être la cause d'un mauvais fonctionnement de votre appareil.
- Pour éviter les courts-circuits lors du remplacement d'un fusible, déconnectez d'abord le faisceau de câbles.

REMARQUE

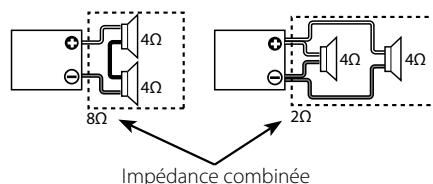
- Si vous rencontrez des problèmes pendant l'installation, consultez votre revendeur Kenwood.
- Si l'appareil semble ne pas fonctionner correctement, consultez votre revendeur Kenwood.

Câblage

- Pour cette unité, brancher le cordon de la batterie directement à la batterie. Si celui-ci est connecté à l'installation électrique du véhicule, l'installation peut disjoncter etc.
- Si un ronronnement se fait entendre dans les enceintes lorsque le moteur tourne, fixer un filtre antiparasite de ligne (en option) aux câbles de la batterie.
- Utiliser un passe-câble de manière que le cordon ne soit pas en contact avec le tablier.
- Relier les fils de masse à une partie métallique du châssis du véhicule qui soit en mesure de jouer le rôle de masse électrique et donc de laisser passer le courant vers le pôle négatif ⊖ de la batterie. Ne pas mettre l'appareil sous tension si les fils de masse ne sont pas reliés.
- Assurez-vous de mettre en place un fusible protégeant le cordon d'alimentation situé près de la batterie. Ce fusible doit avoir un pouvoir de coupure égal ou légèrement supérieur à celui de l'unité.
- En ce qui concerne le cordon d'alimentation et la masse, il est conseillé d'utiliser un cordon d'alimentation électrique pour voiture (inflammable) dont l'intensité sera supérieure au pouvoir de coupure du fusible de l'unité. (Utiliser un cordon d'alimentation d'un diamètre égal ou supérieur à 8 mm² (AWG 8).)
- Lorsque plus d'un amplificateur de puissance doivent être utilisés, utiliser un câble de câblage d'alimentation et un fusible de sécurité dont la limite de tension est supérieure au courant total maximum tiré par chaque amplificateur.

Sélection des enceintes

- La puissance d'entrée des enceintes qui vont être connectées doit être supérieure à la puissance de sortie (en Watts) de l'amplificateur. L'utilisation d'enceintes dont la puissance d'entrée nominale est inférieure à la puissance de sortie de l'amplificateur entraînera l'émission de fumée, ainsi que des dommages.
- L'impédance des enceintes qui vont être connectées doit être de 2 Ω minimum (pour des connexions stéréo) ou de 4 Ω minimum (pour des connexions en pont). Lorsque plus d'un jeu d'enceintes va être utilisé, calculer l'impédance combinée des enceintes et connecter ensuite les enceintes appropriées à l'amplificateur.



Nettoyage de l'appareil

Si la surface de l'appareil devient sale, l'essuyer avec un chiffon au silicone ou un chiffon doux et sec après avoir éteint l'appareil.

⚠️ ATTENTION

N'essayez pas le panneau avec un tissu rugueux ou imprégné de dissolvant volatil comme un diluant à peinture ou de l'alcool. Il pourrait rayer la surface du panneau et/ou écailler les lettres d'information.

Pour éviter le déchargement de la batterie

Lorsque l'unité est utilisée avec l'ACC sur ON, sans que le moteur ne soit allumé, cela décharge la batterie. Il est préférable de l'utiliser après avoir allumé le moteur.



Déclaration de conformité se rapportant à la directive EMC 2004/108/EC

Fabricant :

Kenwood Corporation
2967-3 Ishikawa-machi, Hachioji-shi, Tokyo, 192-8525 Japon

Représentants dans l'UE :

Kenwood Electronics Europe BV
Amsterdamseweg 37, 1422 AC UITHOORN, Pays-Bas

Information sur l'élimination des anciens équipements électriques et électroniques (applicable dans les pays de l'Union Européenne qui ont adopté des systèmes de collecte sélective)



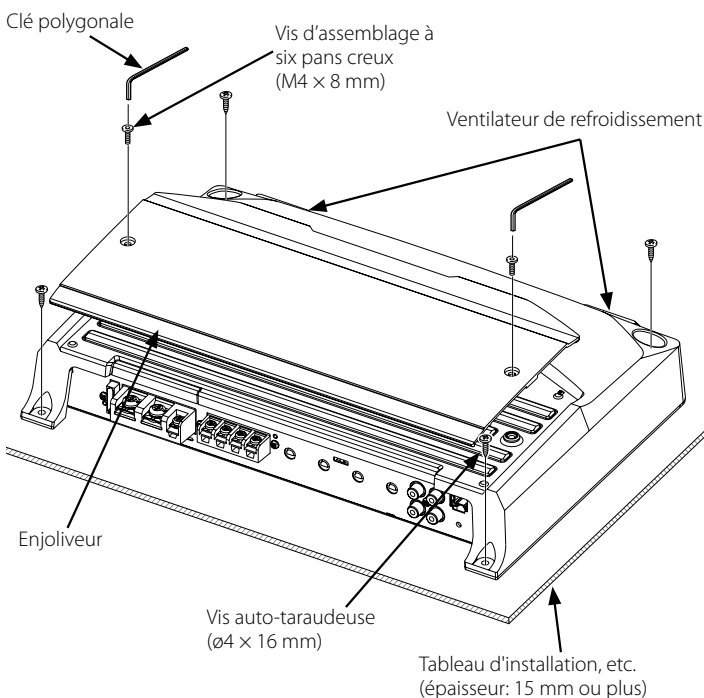
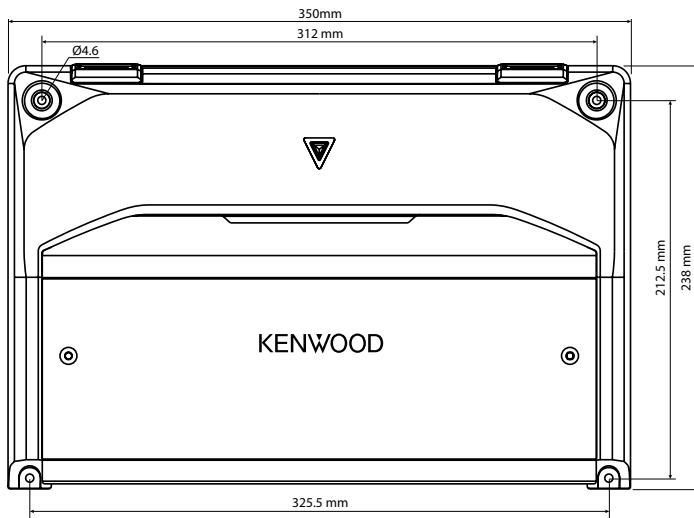
Les produits sur lesquels le pictogramme (poubelle barrée) est apposé ne peuvent pas être éliminés comme ordures ménagères.

Les anciens équipements électriques et électroniques doivent être recyclés sur des sites capables de traiter ces produits et leurs déchets.

Contactez vos autorités locales pour connaître le site de recyclage le plus proche. Un recyclage adapté et l'élimination des déchets aideront à conserver les ressources et à nous préserver des leurs effets nocifs sur notre santé et sur l'environnement.

Ce produit n'est pas installé par le constructeur d'un véhicule sur le site de production, ni par l'importateur professionnel d'un véhicule dans un Etat membre de l'UE.

Installation



Accessoires

Nom de la pièce	Vue extérieure	Quantité
Vis taraudeuses (Ø4 x 16 mm)		4
Cache de bornier (Borne d'alimentation)		1
Câble d'entrée de niveau d'enceinte		1
Clé polygonale		1

Procédure d'installation

Étant donné que le nombre de réglages et de raccordements est assez important, il importe de prendre pleinement connaissance du mode d'emploi.

- Retirer la clé de contact et débrancher la borne négative \ominus de la batterie pour éviter les court-circuits.
- Régler l'appareil en fonction de l'utilisation désirée.
- Raccorder les câbles d'entrée et de sortie de l'appareil.
- Raccorder les câbles d'enceinte.
- Relier, dans l'ordre, le câble d'alimentation, le câble de commande d'alimentation et le câble de masse.
- Mettre en place les accessoires d'installation sur l'unité.
- Brancher l'unité.
- Raccorder la borne négative \ominus de la batterie.

⚠ ATTENTION

- Ne pas procéder à l'installation de l'appareil si vous vous trouvez dans l'un des lieux suivants; (Lieu instable, Lieu où la conduite du véhicule peut être gênée, Lieu exposé à l'humidité, Lieu exposé à la poussière, Lieu surchauffé, Lieu exposé directement à la lumière du jour, Lieu exposé à l'air chaud)
- Ne pas recouvrir l'appareil d'une nappe, tapis, etc; la chaleur qui s'accumulerait risque d'endommager l'appareil.
- Installer cet appareil à un emplacement tel que la chaleur puisse se dissiper aisément.
- Après l'installation, ne placer aucun objet sur l'appareil.
- La surface de l'amplificateur va chauffer pendant l'utilisation. Installer l'amplificateur à un endroit où des passagers, de la résine ou d'autres substances sensibles à la chaleur n'entreront pas en contact avec lui.
- Cette unité dispose d'un ventilateur de refroidissement permettant d'abaisser la température interne. Ne pas monter l'unité dans un endroit où le ventilateur de refroidissement et les conduites de l'unité sont bloquées. En effet, si la chaleur interne ne peut pas être éliminée par la ventilation de l'appareil, une anomalie de fonctionnement peut aisément survenir.
- Lors du forage d'un trou sous le siège, à l'intérieur du coffre ou partout ailleurs dans le véhicule, vérifier s'il n'y a pas d'élément dangereux de l'autre côté, tel qu'un réservoir à carburant, une conduite de frein, une gaine de câbles, et faire attention de ne pas faire de griffes ou d'autres dégâts.
- Ne pas l'installer près du tableau de bord, de la plage arrière ou d'éléments de sécurité de l'airbag.
- Lors de l'installation dans un véhicule, l'appareil doit être fermement fixé à un endroit où il ne gênera pas la conduite. Si l'appareil se détache suite à un choc et heurte quelqu'un ou un élément de sécurité, il peut occasionner des blessures ou un accident.
- Après installation de l'appareil, s'assurer que les différents équipements électriques tels que lampes de frein et les clignotants de direction fonctionnent normalement.

Fonction de protection

La fonction de protection se met en service dans les cas suivants:

Cet appareil est pourvu d'une fonction de protection de l'appareil lui-même et des haut-parleurs de manière à éviter divers incidents.

Lorsque la fonction de protection est déclenchée, l'indicateur POWER s'éteint et l'amplificateur s'arrête de fonctionner.

- Si un cordon de liaison aux haut-parleurs est en court-circuit.
- Une sortie de haut-parleurs est mise à la masse.
- Une tension continue est appliquée sur les sorties vers les haut-parleurs en raison d'un défaut de fonctionnement de l'appareil.
- Lorsque la température interne est trop élevée et que l'appareil ne fonctionne pas.
- Lorsque le fil de masse de l'unité centrale (lecteur de cassette, lecteur de CD, etc.) ou le fil de masse de cet appareil n'est plus relié à une partie métallique du véhicule servant de masse électrique et permettant le passage du courant vers le pôle négatif \ominus de la batterie.

⚠ AVERTISSEMENT

Pour éviter tout incendie dû à un court-circuit, insérez un fusible ou un coupe-circuit à proximité de la borne de la batterie.



⚠ ATTENTION

- En cas d'anomalie, mettez immédiatement l'appareil hors tension et vérifiez tous les raccordements.
- Veillez à mettre l'appareil hors tension avant de changer la position des commutateurs.
- Si le fusible saute, vérifiez si les câbles ne sont pas court-circuités, et remplacez le fusible par un autre fusible de même capacité nominale.
- Vérifiez qu'aucun câble ou connecteur non raccordé ne touche la carrosserie de la voiture. Ne pas retirer les capuchons des câbles ou connecteurs non raccordés afin d'éviter tout court-circuit.
- Raccordez séparément les câbles d'enceinte aux connecteurs d'enceinte appropriés. Le partage du câble négatif d'une enceinte ou des fils de masse des enceintes à la carrosserie métallique de la voiture pourrait rendre l'appareil inopérant.

REMARQUE

- Ne pas raccorder des câbles ou conducteurs à la fois aux prises de sortie pour câble RCA et aux prises d'entrée de haut-parleur car l'appareil risquerait d'être endommagé ou de mal fonctionner.

Raccordement au niveau haut-parleur

- La puissance de sortie maximum de l'autoradio stéréo d'origine ne doit pas dépasser 40W.
- L'alimentation est activée et désactivée lorsque l'appareil détecte le signal d'entrée (Détection de signal ACTIVE). C'est pourquoi il n'est pas nécessaire de connecter le câble de commande de l'alimentation.

Bornes SPEAKER OUTPUT

• Connexions stéréo:

Les enceintes à connecter doivent avoir une impédance de 2 Ω ou supérieure.

• Connexions en pont:

Faire les connexions aux bornes SPEAKER OUTPUT du canal gauche (LEFT) ⊕ et du canal droit (RIGHT) ⊖.

Les haut-parleurs à connecter doivent avoir une impédance de 4 Ω ou supérieure.

Sortie de ligne (LINE OUT)

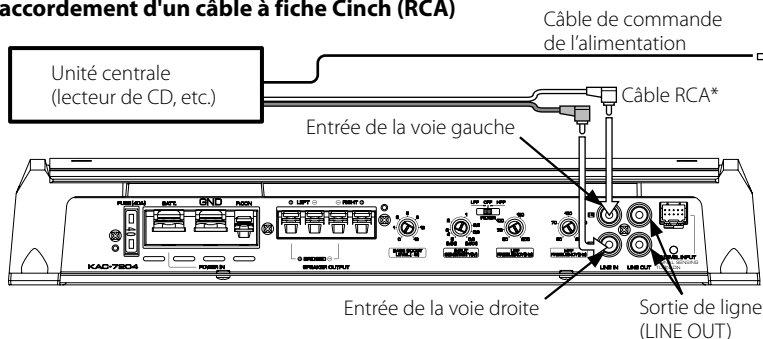
Le signal entrant du terminal d'entrée de ligne constitue la sortie.

FUSIBLE

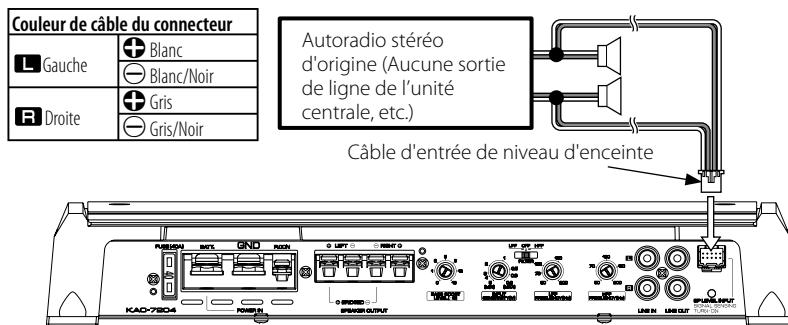
40 A × 1

■ Câble RCA ou connexion d'entrée de niveau d'enceinte

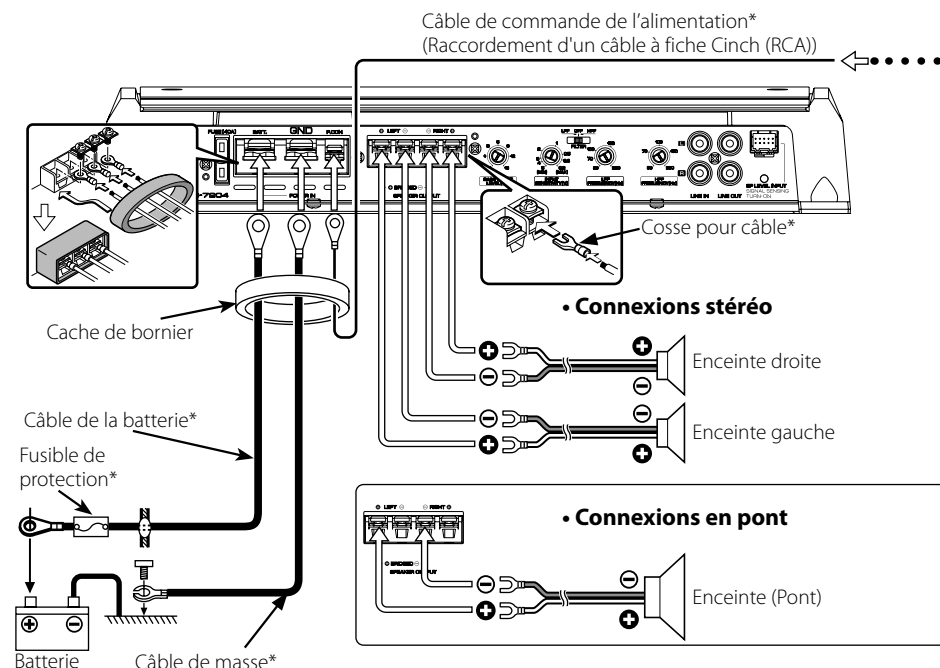
• Raccordement d'un câble à fiche Cinch (RCA)

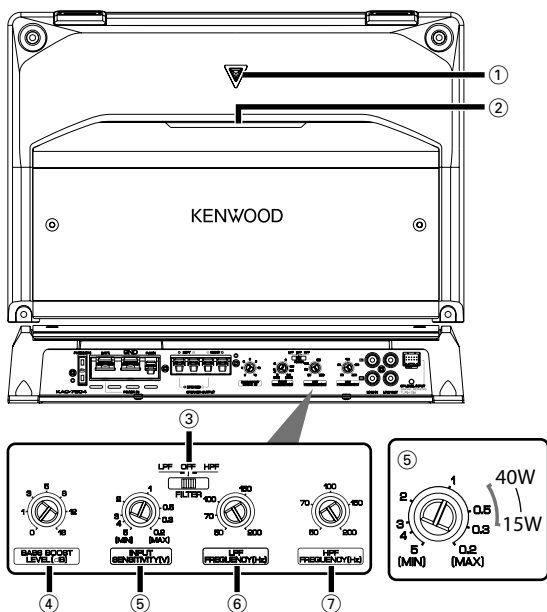


• Raccordement au niveau haut-parleur



■ Fil d'alimentation et connexion de fil d'enceinte





① Indicateur Power

Lorsque l'alimentation est activée, l'indicateur POWER s'allume.
Si l'indicateur POWER ne s'allume pas lorsque l'alimentation est activée, la fonction de protection pourrait se déclencher. Vérifier s'il y a un problème. Reportez-vous à <Fonction de protection> (page 7).

② Éclairage

③ Commutateur FILTER

Ce commutateur permet d'effectuer un filtrage des graves, ou des aigus, appliqués vers les haut-parleurs.

• Position HPF (Filtre passe-haut):

Le filtre laisse passer les fréquences supérieures à la fréquence précisée au moyen de la commande "HPF FREQUENCY".

• Position OFF :

Le filtre n'agit pas, autrement dit tout le spectre des fréquences est présent en sortie.

• Position LPF (Filtre passe-bas):

Le filtre laisse passer les fréquences inférieures à la fréquence précisée au moyen de la commande "LPF FREQUENCY".

La sortie de haut-parleurs est commutée automatiquement sur monaural (G+D).

④ Commande BASS BOOST LEVEL

Règle le niveau de basse fréquence devant être compensé.

⑤ Commande de la sensibilité d'entrée

Régler cette commande en fonction du niveau de sortie du préampli de l'unité centrale ou du niveau de sortie maximum de l'autoradio stéréo d'origine.

Reportez-vous au schéma ci-contre pour référence.

⑥ Commande LPF FREQUENCY

Cette commande permet de préciser la fréquence de coupure quand le commutateur "FILTER" est sur la position "LPF".

⑦ Commande HPF FREQUENCY

Cette commande permet de préciser la fréquence de coupure quand le commutateur "FILTER" est sur la position "HPF".

Ce qui peut apparaître comme un mauvais fonctionnement de votre appareil n'est peut-être que le résultat d'une mauvaise opération ou d'une mauvaise connexion. Avant d'appeler un centre de service, vérifiez d'abord dans le tableau suivant les problèmes possibles.

Absence de sons. (Fusible grillé.)

- ✓ Les câbles d'entrée (ou de sortie) sont débranchés.
 - ✎ Branchez les câbles d'entrée (ou de sortie).
- ✓ Le circuit de protection peut être actionné.
 - ✎ Vérifiez les raccordements en se reportant au paragraphe <Fonction de protection>.
- ✓ Le volume est trop fort.
 - ✎ Remplacez le fusible et utilisez un niveau de volume plus faible.
- ✓ Les fils de raccordement de l'enceinte sont en court-circuit.
 - ✎ Après avoir vérifié le câble d'enceinte et réparé la cause du court-circuit, remplacez le fusible.

Niveau de sortie trop faible (ou trop fort).

- ✓ La commande de réglage de la sensibilité d'entrée n'est pas amenée sur la bonne position.
 - ✎ Faire le réglage correctement en se reportant aux indications données en <Contrôles>.

La qualité sonore est mauvaise. (Le son est distordu.)

- ✓ Les câbles de haut-parleur ont été raccordés en inversant la polarité ⊕ / ⊖.
 - ✎ Raccordez correctement en respectant les indications ⊕ et ⊖ des bornes et des câbles.
- ✓ Un câble d'enceinte est pincé par une vis dans la carrosserie de la voiture.
 - ✎ Rebranchez le câble d'enceinte en évitant tout pincement
- ✓ Les commutateurs ne sont peut-être pas positionnés comme il convient.
 - ✎ Positionner les commutateurs en tenant compte des indications fournies aux paragraphes <Contrôles>.

Spécifications

CEA-2006

Puissance Nominale de Sortie Primaire (RMS Watts par canal @ 4 ohms, 1 % THD+N)	170 W x 2
Taux signal/bruit (référence : 1 Watt/4 ohms)	83 dB



Section audio

Puissance de sortie max.	1000 W (500 W x 2)
Puissance de sortie nominale (+B = 14,4 V)	
Normal (4 Ω) (20 Hz – 20 kHz, 0,08 % THD)	170 W x 2
(4 Ω) (DIN : 45324 , +B = 14,4V)	170 W x 2
(2 Ω) (1 kHz, 0,8 % THD)	250 W x 2
En pont (4 Ω) (1 kHz, 0,8 % THD)	500 W x 1
Réponse en fréquence (+0, -3 dB)	5 Hz – 50 kHz
Sensibilité (puissance nominale)	0,2 V – 5,0 V
Impédance d'entrée	10 kΩ
Taux de Signal/Bruit	100 dB
Fréquence du filtre passe-bas (-24 dB/oct.)	50 – 200 Hz (variable)
Fréquence du filtre passe-haut (-12 dB/oct.)	50 – 200 Hz (variable)
Circuit d'amplification des basses (40 Hz)	0 – +18 dB (variable)

Général

Tension de fonctionnement	14,4 V (11 – 16V admissible)
Courant absorbé	40 A
Taille d'installation (L x H x P)	350 x 59 x 238 mm 13 3/4 x 2 5/16 x 9 3/8 pouce
Masse	3,2 kg (7,0 lbs)

* Les spécifications sont sujettes à changements sans notification.

Precauciones de seguridad

▲ADVERTENCIA

Para evitar el riesgo de lesiones o fuego, observe las siguientes precauciones:

- Cuando extienda los cables de la batería o de masa, asegúrese de utilizar cables para automóviles u otros cables que tengan un área de 8 mm^2 (AWG8) o más, para evitar el deterioro del cable y daños en su revestimiento.
- Para evitar cortocircuitos, nunca coloque ni deje objetos metálicos (por ejemplo, monedas o herramientas metálicas) dentro de la unidad.
- Si nota que la unidad emite humos u olores extraños, desconecte inmediatamente la alimentación y consulte con su distribuidor Kenwood.
- No toque la unidad mientras la utiliza porque su superficie se calienta y puede causar quemaduras si se toca.
- La instalación y cableado de este producto requiere de habilidad y experiencia. Por motivos de seguridad, deje la labor de instalación y montaje en manos de profesionales.

▲PRECAUCIÓN

Para evitar daños en la unidad, tome las siguientes precauciones:

- Asegúrese de que la unidad está conectada a un suministro de alimentación de CC de 12V con una conexión de toma de tierra negativa.
- No abra las cubiertas inferiores de la unidad.
- No instale la unidad en un sitio expuesto a la luz directa del sol, o excesivamente húmedo o caluroso. Asimismo evite los lugares muy polvorientos o sujetos a salpicaduras de agua.
- Cuando tenga que reemplazar un fusible, utilice únicamente uno del régimen prescrito. El uso de un fusible de régimen incorrecto podría ocasionar un funcionamiento defectuoso de la unidad.
- Para evitar cortocircuitos mientras sustituye el fusible, desconecte previamente el mazo de conductores.

NOTA

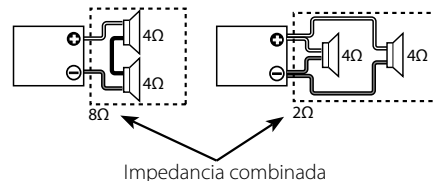
- Si tiene problemas durante la instalación, consulte con su distribuidor Kenwood.
- Si la unidad no está funcionando correctamente, consulte con su distribuidor Kenwood.

Cableado

- Lleve el cable de la batería de esta unidad directamente desde la propia batería. Si se conectara al arnés del cableado del vehículo, puede provocar daños en los fusibles, etc.
- Si se produce un zumbido por los altavoces mientras funciona el motor, conecte un filtro de ruido de línea (vendido por separado) a cada cable de la batería.
- No permita que el cable entre en contacto directo con el borde de la placa de hierro, utilizando para ello arandelas de caucho.
- Conecte los cables de masa a una parte del chasis del automóvil que actúe como puesta a masa por donde pase la electricidad hasta el borne negativo \ominus de la batería. No conecte la alimentación si no están conectados los cables de masa.
- Asegúrese de instalar un fusible de protección en el cable de corriente cerca de la batería. El fusible positivo debería tener la misma capacidad que el de la unidad o algo mayor.
- Para el cable de corriente y la masa, utilice un cable de corriente para vehículos (ignífugo) con una capacidad mayor que la capacidad del fusible de la unidad. (Utilice un cable de corriente con un diámetro de 8 mm^2 (AWG 8) o mayor).
- Cuando desee utilizar más de un amplificador de potencia, utilice un cable de suministro de alimentación y un fusible de protección de una capacidad de soporte de corriente mayor a la corriente máxima total utilizada por cada amplificador.

Selección de altavoces

- La potencia de entrada de los altavoces que se conecten debe ser mayor que la potencia de salida (en Wats) del amplificador. Utilizar altavoces que posean potencias de entrada menores a la salida de entrada del amplificador producirá emisiones de humo y daños.
- La impedancia de los altavoces que se conecten al amplificador debe ser de 2Ω o más (para las conexiones estéreo), o de 4Ω o más (para las conexiones en puente). Cuando desee utilizar más de un juego de altavoces, calcule la impedancia combinada de estos altavoces y luego conecte adecuadamente los altavoces al amplificador.



Limpieza de la unidad

Si la superficie de la unidad está sucia, apague la unidad y limpie con un paño siliconado suave y seco.

▲PRECAUCIÓN

No limpie el panel con un paño áspero o humedecido con disolventes volátiles tales como diluyente de pintura o alcohol. Su uso podría rayar la superficie del panel o hacer que se despeguen las letras indicadoras.

Para evitar que se desgaste la batería

Cuando la unidad se utiliza en la posición ACC ON sin CONECTAR el motor, agota la batería. Utilícelo después de arrancar el motor.



Declaración de conformidad con respecto a la Directiva EMC 2004/108/CE

Fabricante:

Kenwood Corporation
2967-3 Ishikawa-machi, Hachioji-shi, Tokyo, 192-8525 Japón

Representante en la UE:

Kenwood Electronics Europe BV
Amsterdamseweg 37, 1422 AC UITHOORN, Países Bajos

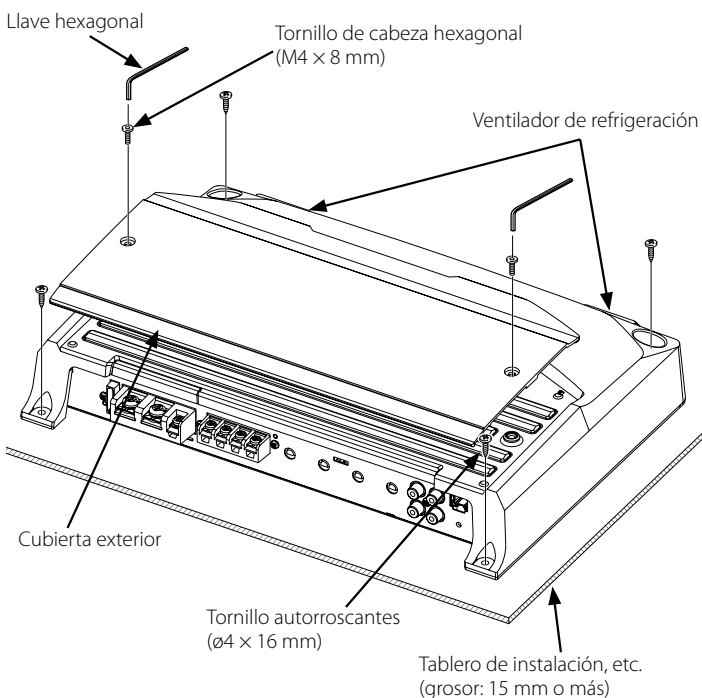
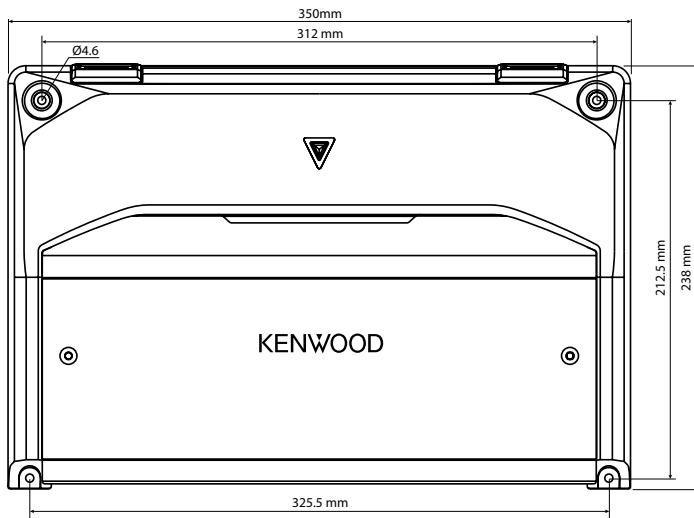
Información acerca de la eliminación de equipos eléctricos y electrónicos al final de la vida útil (aplicable a los países de la Unión Europea que hayan adoptado sistemas independientes de recogida de residuos)



Los productos con el símbolo de un contenedor con ruedas tachado no podrán ser desechados como residuos domésticos. Los equipos eléctricos y electrónicos al final de la vida útil, deberán ser reciclados en instalaciones que puedan dar el tratamiento adecuado a estos productos y a sus subproductos residuales correspondientes. Póngase en contacto con su administración local para obtener información sobre el punto de recogida más cercano. Un tratamiento correcto del reciclaje y la eliminación de residuos ayuda a conservar los recursos y evita al mismo tiempo efectos perjudiciales en la salud y el medio ambiente.

Este producto no ha sido instalado en la línea de producción por el fabricante de un vehículo, ni tampoco por el importador profesional de un vehículo dentro del estado miembro de la UE.

Instalación



Accesorios

Nombre de pieza	Vista exterior	Unidades
Tornillo autorroscantes (Ø4 x 16 mm)		4
Cubierta de terminales (Terminal del cable de alimentación)		1
Cable de entrada del nivel de altavoces		1
Llave hexagonal		1

Procedimiento de instalación

Como se pueden hacer una gran variedad de ajustes y conexiones según las aplicaciones, lea atentamente el manual de instrucciones para seleccionar el ajuste y la conexión apropiados.

1. Retire la llave de encendido y desconecte el terminal negativo \ominus de la batería para evitar cortocircuitos.
2. Prepare la unidad según el uso que vaya a hacer de ella.
3. Conecte los cables de entrada y salida de las unidades.
4. Conecte los cables del altavoz.
5. Conecte el cable de alimentación, el cable de control de alimentación y el cable de tierra en este orden.
6. Coloque los elementos de instalación en la unidad.
7. Coloque la unidad.
8. Conecte la terminal negativa \ominus de la batería.

▲PRECAUCIÓN

- No instale el equipo en las siguientes ubicaciones; (Ubicación inestable; En un lugar que interfiera a la conducción; En un lugar en el que pueda mojarse; En un lugar con exceso de polvo; En un lugar en el que pueda recalentarse; En un lugar en el que reciba la luz directa del sol; En un lugar situado en el flujo de aire caliente)
- No utilice la unidad bajo una alfombra ya que, podría sobrecalentarse y estropearse.
- Instale esta unidad en un lugar donde el calor pueda disiparse fácilmente. Una vez instalado, no ponga nada sobre él.
- La temperatura de la superficie del amplificador se elevará durante su uso. Instale el amplificador en un lugar seguro donde personas, resinas y otras sustancias sensibles al calor no entren en contacto con esta superficie.
- Esta unidad tiene un ventilador de refrigeración para reducir la temperatura interna. No instale la unidad en un lugar donde estén bloqueados el ventilador y los ductos de refrigeración. Al tapar estas aberturas no podrá reducirse adecuadamente la temperatura interior y podrá producirse un fallo en el funcionamiento.
- Cuando haga un orificio bajo el asiento o en el portaequipajes o en algún otro lugar del vehículo, verifique que no existan objetos peligrosos al otro lado tales como un tanque de gasolina, tubo del freno, o los alambres del cableado del coche y tenga cuidado de no rayar las piezas del vehículo o causar algún otro daño.
- No lo instale cerca del panel de controles, bandeja trasera, o piezas de seguridad del colchón de aire.
- La instalación de esta unidad debe ser realizada en un lugar donde no estorbe la conducción. Si la unidad se sale de su posición debido a un choque y golpea a una persona o a alguna pieza de seguridad, puede causar lesiones o un accidente.
- Después de instalar la unidad, cerciórese de que los equipos eléctricos (luces de freno, intermitentes y limpiadores) funcionen normalmente.

Función de protección

La función de protección se activa en los casos siguientes:

Esta unidad está equipada con una función de protección que protege la unidad y los altavoces de diversos accidentes y problemas que pueden ocurrir.

Cuando la función de la protección está activada, el indicador de POWER se apaga y el amplificador se interrumpe.

- Cuando un cable de altavoz puede estar cortocircuitado.
- Cuando la salida de un altavoz entra en contacto con tierra.
- Cuando la unidad funciona mal y se envía una señal de DC a la salida de los altavoces.
- Cuando la temperatura interna sea alta y la unidad no funcione.
- Cuando un cable de masa de la unidad central (receptor-reproductor de casetes, reproductor de discos compactos, etc.) de esta unidad no está conectada a una pieza metálica que sirve de paso de electricidad hasta el borne negativo \ominus de la batería.

⚠ ADVERTENCIA

Para evitar incendios producidos por cortocircuitos en el cableado, conecte un fusible o cortacircuito entre la batería y los terminales de la batería.



⚠ PRECAUCIÓN

- Si el sonido no sale normalmente, desconecte inmediatamente la alimentación y compruebe las conexiones.
- No se olvide de desconectar la alimentación antes de cambiar el ajuste de cualquier conmutador.
- Si el fusible se quema, compruebe que no haya un cortocircuito en los cables, luego cambie el fusible por uno que tenga el mismo amperaje.
- Verifique que ninguno de los cables o conectores que están sin conectar toquen la carrocería del automóvil. No retire las tapas de los cables o conectores que están sin conectar para evitar de que se produzcan cortocircuitos.
- Conecte los cables del altavoz a los conectores adecuados del altavoz separadamente. La puesta en contacto de terminales de altavoces distintos, o la conexión como toma de tierra de los terminales del altavoz al coche del automóvil, pueden causar daños a la unidad.

NOTA

- No conecte simultáneamente cables ni conductores a las tomas de entrada de cables RCA o a los terminales de entrada de altavoces porque podría producirse una avería.

Conexión para entrada de altavoz

- El equipo estéreo suministrado con el automóvil deberá tener una potencia de salida máxima no superior a 40W.
- La alimentación se enciende y apaga conforme la unidad detecte una señal de entrada (Activación de Detección de Señal). Por lo tanto no es necesario conectar el cable de control de alimentación.

Terminales SPEAKER OUTPUT (salida de altavoces)

- Conexiones estéreo: Los altavoces a conectar deberán tener una impedancia de 2 ohmios o mayor.
- Conexiones en puente: Haga las conexiones a los terminales de salida de altavoces (SPEAKER OUTPUT) de los canales izquierdo (LEFT) ⊕ y derecho (RIGHT) ⊖. Los altavoces a conectar deberán tener una impedancia de 4 ohmios o mayor.

Tomas de salida de línea (LINE OUT)

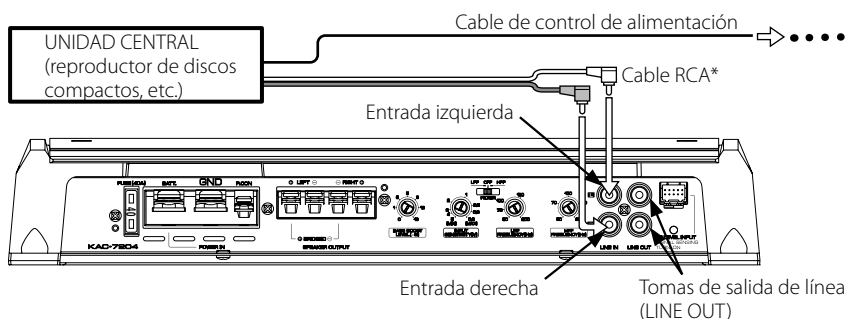
La señal de entrada del terminal de entrada de línea es la de salida.

Fusible

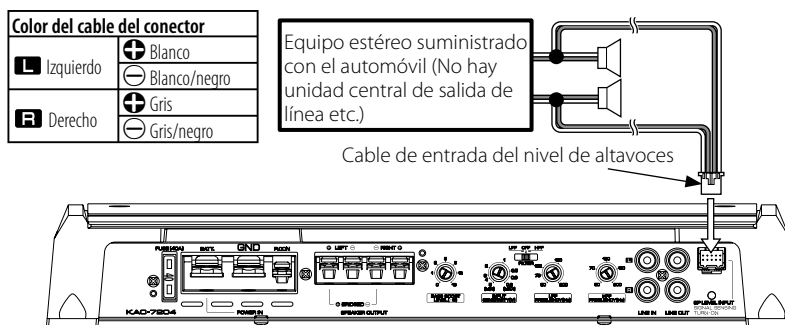
40 A x 1

■ Conexión de entrada del cable RCA o del nivel del altavoz

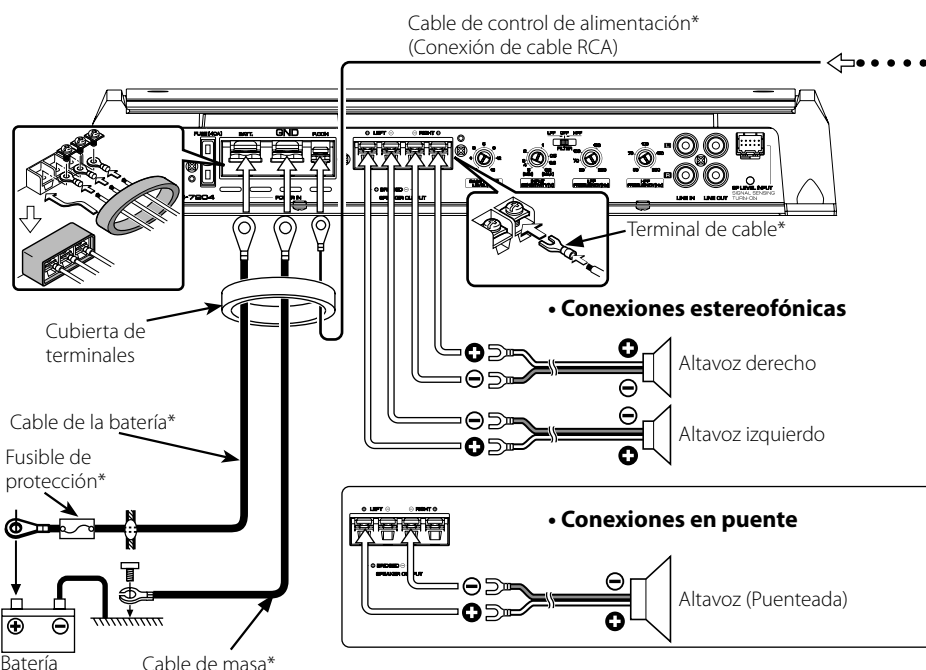
• Conexión de cable de RCA

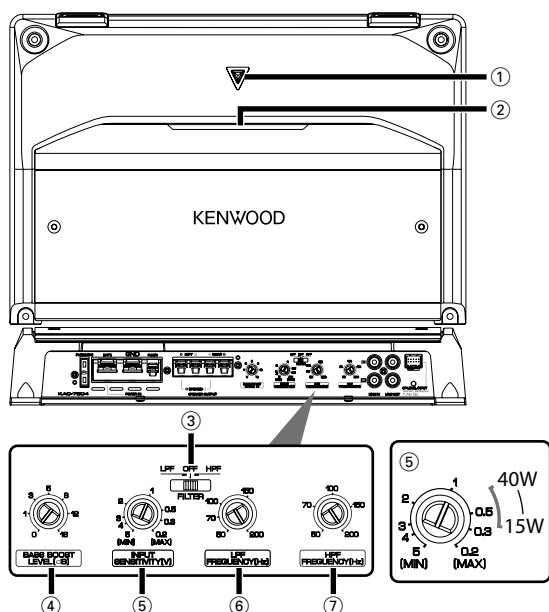


• Conexión para entrada de altavoz



■ Conexión del cable de alimentación y del altavoz





1 Indicador POWER

Cuando la alimentación se activa, el indicador de POWER se ilumina. Si el indicador POWER no se ilumina al activar la alimentación, puede que la función de protección esté activada. Compruebe si hay algún problema. Remítase a <Función de protección> (página 11).

2 Iluminación

3 Conmutador FILTER

Este conmutador permite aplicar la filtración de paso alto o paso bajo a las salidas de los altavoces.

• Posición HPF (filtro de paso alto):

El filtro da salida a la banda de frecuencias más altas que la frecuencia ajustada con el control "HPF FREQUENCY".

• Posición OFF:

Todo el ancho de banda sale sin filtración.

• Posición LPF (filtro de paso bajo):

El filtro da salida a la banda de frecuencias más bajas que la frecuencia ajustada con el control "LPF FREQUENCY".

La salida del altavoz se cambia automáticamente a monaural (I+D).

4 Control BASS BOOST LEVEL

Ajusta el nivel de baja frecuencia que se va a compensar.

5 Control INPUT SENSITIVITY (sensibilidad de entrada)

Ponga este control de la unidad central conectada a esta unidad, o según la potencia de salida máxima del equipo estéreo suministrado con el automóvil. Utilice el cable de la derecha como guía.

6 Control LPF FREQUENCY

Ajusta la frecuencia de corte cuando el conmutador "FILTER" está en "LPF".

7 Control HPF FREQUENCY

Ajusta la frecuencia de corte cuando el conmutador "FILTER" está en "HPF".

Lo que podría parecer una falla de funcionamiento de su unidad podría ser simplemente el resultado de un pequeño error de operación o de un defecto de conexión. Antes de acudir al servicio, verifique primero el siguiente cuadro sobre los problemas que se podrían presentar.

No hay sonido. (Fusible fundido)

- ✓ Los cables de entrada (o salida) están desconectados.
 - ✎ Conecte los cables de entrada (o salida).
- ✓ El circuito de protección puede estar activado.
 - ✎ Compruebe las conexiones consultando <Función de protección>.
- ✓ El volumen está demasiado alto.
 - ✎ Reemplace el fusible y baje el volumen.
- ✓ El cable del altavoz está cortocircuitado.
 - ✎ Después de revisar el cable del altavoz y arreglar la causa del cortocircuito, reemplace el fusible.

El nivel de salida está muy bajo (o muy alto)

- ✓ El control de ajuste de sensibilidad de entrada no está en la posición correcta.
 - ✎ Ajuste bien el control consultando en <Controles>.

La calidad del sonido es mala. (El sonido está distorsionado).

- ✓ Los cables de los altavoces están conectados con las polaridades \oplus / \ominus invertidas.
 - ✎ Conéctelos correctamente asegurándose bien de cuáles son los terminales \oplus y \ominus .
- ✓ Un cable de altavoz está dañado por un tornillo de la carrocería del automóvil.
 - ✎ Vuelva a conectar los cables de los altavoces de forma que no queden dañados.
- ✓ Los conmutadores pueden estar mal ajustados.
 - ✎ Ponga bien los conmutadores consultando <Controles>.

Especificaciones

CEA-2006

Nominaciones de salida de potencia principal (Vatios RMS por canal @ 4 ohms, 1 % THD+N)	170 W x 2
Relación señal a ruido (referencia: 1 vatio en 4 ohmios)	83 dBA



Sección de audio

Máxima potencia de salida	1000 W (500 W x 2)
Salida de potencia nominal (+B = 14,4 V)	
Normal (4 Ω) (20 Hz - 20 kHz, 0,08 % de distorsión armónica total)	170 W x 2
(4 Ω) (DIN : 45324 , +B = 14,4V)	170 W x 2
(2 Ω) (1kHz, 0,8 % de distorsión armónica total)	250 W x 2
Puenteadas (4 Ω) (1kHz, 0,8 % de distorsión armónica total)	500 W x 1
Respuesta de frecuencia (+0, -3 dB)	5 Hz - 50 kHz
Sensibilidad (salida nominal)	0,2 V - 5,0 V
Impedancia de entrada	10 k Ω
Relación señal a ruido	100 dB
Frecuencia del filtro pasa bajos (-24 dB/octava)	50 - 200 Hz (variable)
Frecuencia del filtro pasa altos (-12 dB/octava)	50 - 200 Hz (variable)
Circuito acentuador de graves (40 Hz)	0 - +18 dB (variable)

General

Tensión de funcionamiento	14,4 V (margen de 11 - 16 V permitido)
Consumo	40 A
Tamaño de instalación (Anch x Alt x Prof)	350 x 59 x 238 mm 13 3/4 x 2 5/16 x 9 3/8 pulgada
Peso	3,2 kg (7,0 libras)

* Las especificaciones se encuentran sujetas a cambios sin previo aviso.

KENWOOD

Free Manuals Download Website

<http://myh66.com>

<http://usermanuals.us>

<http://www.somanuals.com>

<http://www.4manuals.cc>

<http://www.manual-lib.com>

<http://www.404manual.com>

<http://www.luxmanual.com>

<http://aubethermostatmanual.com>

Golf course search by state

<http://golfingnear.com>

Email search by domain

<http://emailbydomain.com>

Auto manuals search

<http://auto.somanuals.com>

TV manuals search

<http://tv.somanuals.com>