

## Configuring Xbox Settings

To make sure that you can easily control Xbox Live chat volume, please make sure that the following settings are configured on your Xbox (These are the default Xbox settings).

1. From the Xbox 360 Dashboard, press the Xbox Guide button (the X button in the center of your controller) to access your Xbox Live Settings.
2. Navigate to the "Personal Settings" selection, and press the "A" button on your controller.
3. Select "Voice" from the following menu, and press "A".
4. On the Voice screen, make sure that "Play Through Headset" is selected for Voice Output selection and that volume is set to 10 (see below).
5. You can fine tune game audio and chat volumes using the X3 amplifier and chat volume controls.



## Tips

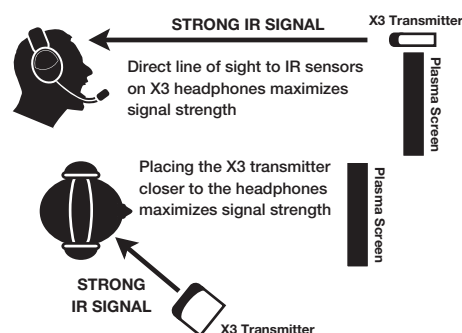
1. When the headphones are powered on, you can hear yourself speak into the mic, which is a good way to test if the headphones have shut down to save battery power.
2. Although the headphones will continue to operate even on low battery power, the performance will degrade as the batteries begin to drop in voltage. Be sure to change the batteries if you sense that the headphones are less sensitive than usual, or the sound is distorting, regardless of volume settings.
3. The headphones work best when powered with 1.5V alkaline batteries. Rechargeable batteries rated at 1.5V will give a longer period of playing time than those only rated at 1.2V.
4. If you stand too close to the transmitter, the IR signal may overload the headphones and the sound will be automatically muted. For best performance, stand between 2' and 20' from the transmitter.
5. If you hear hiss, turn down the headphone volume and turn up the transmitter input level.
6. If you hear distortion, turn down the transmitter input level, then adjust the headphone volume.

## Using the X3 with a Plasma TV

Some plasma TVs generate IR signals that can be picked up by the headphones as a background "buzz" or "crackling". This is not unique to the X3 headphones--all analog IR headphones exhibit this problem with plasma TVs. The noise is usually noticeable when there is no audio playing through the Xbox, such as when the game menu is displayed or just before the game begins. Once the game sound starts playing, the X3 IR signal overpowers the interference so it's significantly reduced or completely eliminated.

Because plasma IR interference decreases as you move further away from the screen, the noise may be more noticeable if your TV is located in a small room. Also, if the X3 transmitter is placed too low, too high or too far to the side of the plasma screen, its IR signal will be reduced because it's not in direct line-of-sight with the headphones. As a result, the plasma IR interference may be stronger than the X3 signal, causing the background noise to occur.

To maximize the X3 transmitter IR signal intensity and minimize the plasma noise, place the transmitter either in direct line of sight with the headphones, or closer to the headphones and further away from the plasma screen, as illustrated:

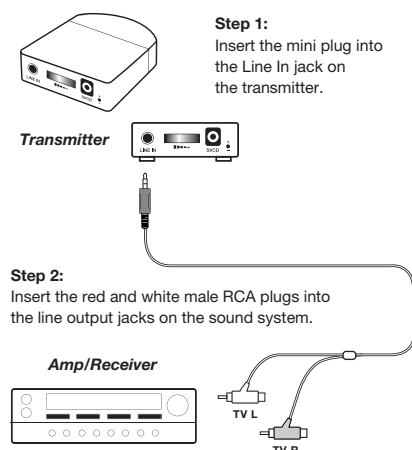


## Connecting Music Players

The X3 may be used for listening to other audio sources, such as the output of your TV, the output of your PC sound card, an MP3 player, home theater system, etc.

For example, the illustration below shows how to connect the X3 to the output of a home theater system. In this case, the transmitter audio input would be connected to the stereo line output on the home theater receiver. In some systems, this would be the recording line output, typically used for a cassette recorder, while on other systems it would be a pre-amplifier line output. Refer to the instructions included with your unit for details.

The volume control on the X3 transmitter should be set to maximum and the volume control on the headphone should be adjusted to a comfortable level. If the sound is distorted because the audio source output is too loud, then the volume control on the transmitter should be reduced to a lower level that better accommodates the source volume.



## Important Information

### Be careful when turning on the headphones volume control.

Before placing the headphones over your ears, set the volume control to minimum, then slowly increase until you reach a comfortable level.

### Use only the supplied power adapter.

Failure to use the correct power adapter can result in fire and permanent damage to the transmitter unit.

### Do not over-drive the headphones.

Like any speakers, playing the sound too loud on the headphones may cause damage to both the headphones and your ears. Please take care to listen at moderate levels.

### WARNING: Long term exposure to loud music or other sounds in headphones may cause hearing damage.

It is best to avoid extreme volume levels when using headphones, especially for extended periods. Over time, your ears adapt to the volume level, so a level that may not cause initial discomfort might still damage your hearing.

## Package Contents

- X3 wireless headphones
- X3 infrared transmitter
- Transmitter suction cup
- DC power adapter
- 2 AAA batteries
- Xbox controller connection cable
- Audio connection cable
- This user's guide

## EAR FORCE® X3 Chat + Wireless Game Audio

### Operating Instructions



For more products, accessories, and our support knowledge base, visit

For warranty information please visit <http://support.turtlebeach.com>

Copyright © 2007, Voyetra Turtle Beach, Inc. (VTB). All rights reserved. No part of this document may be reproduced without permission. Turtle Beach, the Turtle Beach logo and Ear Force are registered trademarks of VTB. Xbox and Xbox Live are trademarks of Microsoft Corporation. All other trademarks are properties of their respective companies and are hereby acknowledged. Product features, visual design, package contents and specifications are subject to change without notice.

V1  
Product# TBS-2065

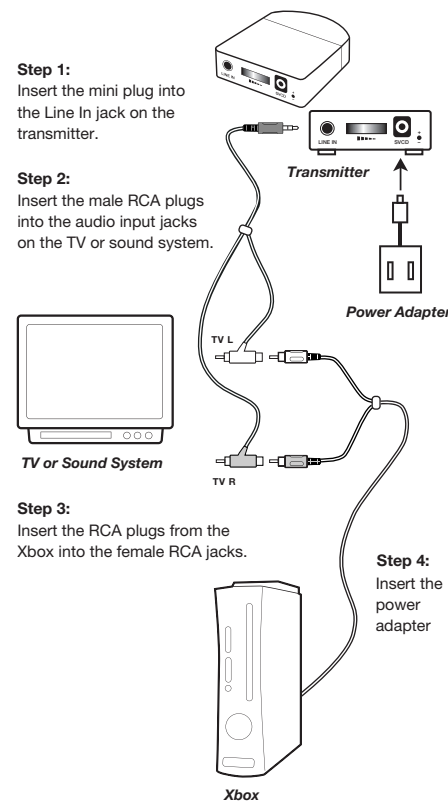
## Connecting the Transmitter

1. Insert the included DC power adapter into the power jack on the back of the X3 transmitter.

2. Insert the power adapter into an AC outlet. The red light on the front of the transmitter will light up to indicate power is active.

**CAUTION: Use only the supplied power adapter. Failure to use the correct adapter can result in fire, damage to the unit or other hazards.**

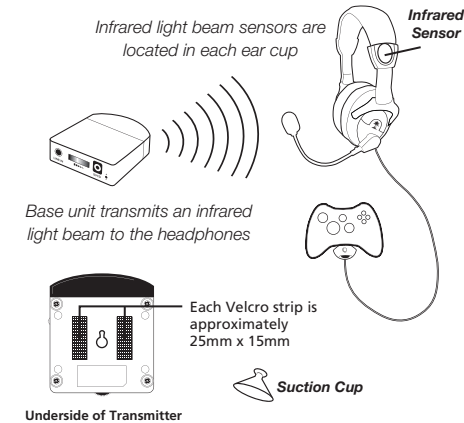
3. Use the included cable to connect the X3 transmitter to your TV and Xbox as shown in the diagram below.



## Setting up the Transmitter

The transmitter communicates with the headphones via an infrared (IR) light beam, so it is important that there is a direct line of sight between the transmitter and the headphones.

You can adhere the included velcro pads or suction cup to the bottom of the transmitter to keep it in place on a smooth surface, such as your Xbox or TV.



### Setting the Transmitter Input Level

Set the transmitter input level to maximum and use the headphone volume to adjust the game audio level.

**Note: If you hear distortion, turn down the transmitter input level and then adjust the headphone volume.**

### Stereo Expander

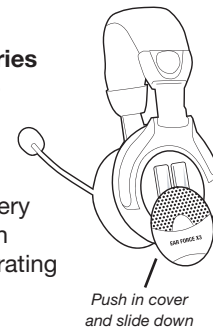
The transmitter stereo expander provides a "widening" effect on stereo signals. Activate by placing the slide switch to the "ON" position. The LED on the front of the unit will light, indicating that the expander effect is on.

## Using the X3 Headphones

The IR light beam from the transmitter is received by sensors on each side of the headband, so the headphones must be within sight of the transmitter in order to operate properly.

### Installing the Batteries

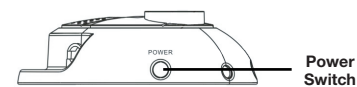
The headphones are powered by 2 AAA batteries (included) located in the right ear cup. Lift the battery cover and insert both batteries before operating the headphones.



### Power Switch

To turn on the power, quickly press and release the push button power switch on the left ear cup.

To turn off the power, quickly press and release the push button power switch (or, allow it to turn off automatically as described below).



### Power Indicator

The Turtle Beach Palm Tree Logo on the left ear cup will flash about once per second when the power is on.

### Automatic Power Shut-off

If there is no sound transmitted for more than a few minutes, the light will flash faster to indicate that the headphones are about to "power down". After about two minutes, the power will automatically shut off to conserve the batteries. To turn on the headphones after they have auto-shut down, press the power switch as described above.

## Volume Settings

The X3 system has three volume control settings that operate as follows:

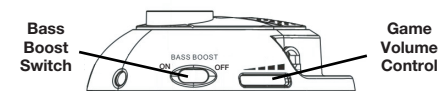
**Transmitter Input Level:** This sets the maximum game signal level transmitted to the headphones and should be set as loud as possible without causing distortion. In most games, you can leave this set to maximum. If you hear distortion on loud parts in the game, turn this control down a bit to reduce the level.

### Headphone Game Volume Control:

The volume control on the headphones also controls the game signal level, but should be turned down to a comfortable level. For best audio quality, the transmitter volume should be as loud as possible and the headphone volume should be as low as possible for optimum game sound.

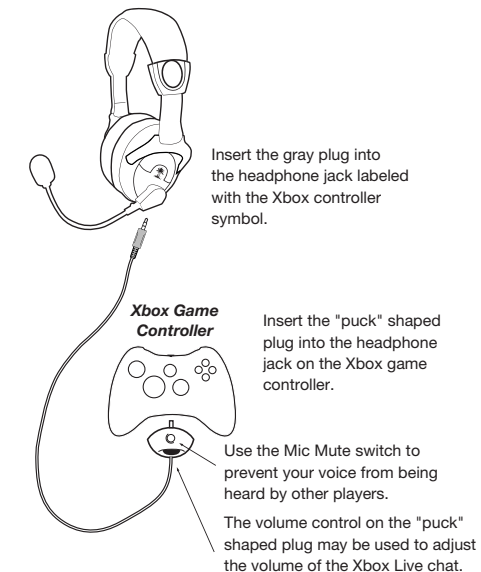
**Talkback Volume Control:** Chat volume from other players during an Xbox Live gaming session is set by the volume control on the "puck" inserted into the Xbox controller. The game volume control on the headphones has no effect on this chat volume level. In other words, even if you turn down the game volume control you will still hear the chat signal if the "puck" volume is turned up.

**Bass Boost Switch:** You can enhance the game audio quality by turning on the Bass Boost switch on the headphones. When turned on, this will increase the low frequency response of both the game and talkback signals to enhance the sound of explosions, gun shots and other deep-bass sounds.



## Using Xbox Live Chat

The X3 microphone may be used to communicate with other players during Xbox Live multi-player gaming sessions. Use the included cable to connect the headphones to the Xbox 360 controller as illustrated below.



### Using the Microphone

The microphone signal connects to the Xbox controller via the cable plugged into the headphones.

The mute switch on the "puck" plugged into the Xbox controller can be used to silence the microphone when you don't want to be heard.

For optimum clarity, adjust the microphone so that it is situated a few inches away from your mouth.

A portion of the microphone signal is mixed into the headphone signal when the puck cable is plugged into the headphone Xbox jack, so you can hear your voice along with the online chatting and game audio.

## Dynamic Talkback Expander

The X3 headphones include a dynamic talkback expander that automatically amplifies Xbox Live chat during loud moments in your game. Since this is a revolutionary new feature in gaming headphones, it takes a bit of getting used to. Here's how it works:

If you were to turn down the headphone volume control all the way and turn up the chat volume on the "puck", there would be no game volume, but you would hear chat. In this mode, the dynamic talkback expander is doing nothing because there's no game audio.

If you turn up the game volume and the game sound is soft, there won't be any change in the chat level. However, if the game volume gets louder, the chat sound level would normally be drowned out by the game. That's where the dynamic talkback expander kicks in!

As the game audio increases, the expander boosts the chat volume so it keeps up with the game level and you can hear what everyone is saying. When the volume quiets down again, the chat level returns to the lower volume setting.

To properly set the expander function, first turn down the headphone game volume control so there's no game audio. Then adjust the talkback volume control on the "puck" so you can hear the chat voices at a comfortable level. Now, turn up the game volume and the chat volume increases as the game gets louder, just as if the talkback volume control is being automatically turned up along with the game level.

**Note that if the talkback volume on the "puck" is set too loud, the expander might increase the volume so much that the voices will distort. If that happens, just cut back on the talkback "puck" volume to adjust the level below distortion.**

## Free Manuals Download Website

<http://myh66.com>

<http://usermanuals.us>

<http://www.somanuals.com>

<http://www.4manuals.cc>

<http://www.manual-lib.com>

<http://www.404manual.com>

<http://www.luxmanual.com>

<http://aubethermostatmanual.com>

Golf course search by state

<http://golfingnear.com>

Email search by domain

<http://emailbydomain.com>

Auto manuals search

<http://auto.somanuals.com>

TV manuals search

<http://tv.somanuals.com>