

KETTLER

HKS-SELECTION

Montageanleitung „X1“

Art.-Nr. 07681-500



- D
- GB
- F
- NL
- E
- I
- PL
- CZ
- DK
- P

Der Umwelt zuliebe: wir drucken auf 100% Altpapier!



Before assembling or using the exercise cycle , please read the following instructions carefully. They contain important information for use and maintenance of the equipment as well as for your personal safety. Keep these instructions in a safe place for maintenance purposes or for ordering spare parts.

For Your Safety

- **⚠ ATTENTION!** The crosstrainer should be used only for its intended purpose, i.e. for physical exercise by adult people.
- **⚠ ATTENTION!** Any other use of the equipment is prohibited and may be dangerous. The manufacturer cannot be held liable for damage or injury caused by improper use of the equipment.
- Exercise has been designed in accordance with the latest standards of safety. Any features which may have been a possible cause of injury have been avoided or made as safe as possible.
- Incorrect repairs and structural modifications (e.g. removal or replacement of original parts) may endanger the safety of the user.
- Damaged components may endanger your safety or reduce the lifetime of the equipment. For this reason, worn or damaged parts should be replaced immediately and the equipment taken out of use until this has been done. Use only original KETTLER spare parts.
- If the equipment is in regular use, check all its components thoroughly every 1 -2 months. Pay particular attention to the tightness of bolts and nuts. This applies especially to the securing bolts for saddle and handlebars.
- To ensure that the safety level is kept to the highest possible standard, determined by its construction, this product should be serviced regularly (once a year) by specialist retailers.
- **⚠ ATTENTION!** Instruct people using the equipment (in particular children) on possible sources of danger during exercising.
- The device requires a supply voltage of 230V, 50 Hz. Connect the power cord with a protective contact socket.
- **⚠ IMPORTANT!** Do not under any circumstances carry out electrical repairs or alterations yourself. Always ensure that such work is done by a properly qualified electrician.
- **⚠ IMPORTANT!** disconnect the apparatus from the mains before doing repair, maintenance or cleaning work.
- Do not use a multiple power socket for the running belt. If an extension cable is being used, ensure that it complies with the VDE regulations.
- Unplug the power cord of the device from the socket if not used for a longer period.
- Ensure that the power cable is not pinched and that no-one can trip over it.
- All electric appliances emit electromagnetic radiation when in operation. Please do not leave especially radiation-intensive appliances (e.g. mobile telephones) directly next to the cockpit or the electronic controlsystem as otherwise values displayed might be distorted (e.g. pulse measurement).
- Before beginning your program of exercise, consult your doctor to ensure that you are fit enough to use the equipment. **Base your program of exercise on the advice given by your doctor. Incorrect or excessive exercise may damage your health!**
- **Any interference with parts of the product that are not described within the manual may cause damage, or endanger the person using this machine. Extensive repairs must only be carried out by KETTLER service staff or qualified personnel trained by KETTLER.**
- Always observe the general safety rules and precautions for working with electrical equipment.
- **⚠ ATTENTION!** Before beginning your program of training, study the instructions for training carefully.
- Our products are subject to a constant innovative quality assurance. We reserve the right to perform technical modifications.
- In case of enquiry, please contact your KETTLER dealer. In choosing the location of the apparatus, ensure a sufficient safety distance from any obstacles. The apparatus must not be mounted in the immediate vicinity of main passageways (paths, doorways, corridors).
- For a comfortable training position please adjust the handlebar and saddle position to your body height.
- **⚠ ATTENTION!** While assembly of the product keep off children's reach (Choking hazard - contains small parts).
- **⚠ WARNING! Heart rate monitoring systems may be inaccurate. Over exercise may result in serious injury or death. If you feel faint stop exercising immediately.**

Handling the equipment

- Before using the equipment for exercise, check carefully to ensure that it has been correctly assembled.
- It is not recommended to use or store the apparatus in a damp room as this may cause it to rust. **Please ensure that no part of the machine comes in contact with liquids (drinks, perspiration etc.). This may cause corrosion.**
- The machine is designed for use by adults and children should not be allowed to play with it. Children at play behave unpredictably and dangerous situations may occur for which the manufacturer cannot be held liable. If, in spite of this, children are allowed to use the equipment, ensure that they are instructed in its proper use and supervised accordingly.
- The exercise cycle complies with the DIN EN 957 - 1/5, class HA.
- Before beginning your first training session, familiarize yourself thoroughly with all the functions and settings of the unit.
- A slight production of noise at the bearing of the centrifugal mass is due to the construction and has no negative effect upon operation. Possibly occurring noise during reverse pedalling result from engineering and are absolutely safe.

- The exercise cycle has a magnetic brake system.
- The equipment is independent of revolutions per minute.
- **Please ensure that liquids or perspiration never enter the machine or the electronics.**
- Before use, always check all screws and plug-in connections as well as respective safety devices fit correctly.
- Always wear suitable shoes when using.

Instructions for Assembly

- Ensure that you have received all the parts required (see check list) and that they are undamaged. Should you have any cause for complaint, please contact your KETTLER dealer.
- Before assembling the equipment, study the drawings carefully and carry out the operations in the order shown by the diagrams. The correct sequence is given in capital letters.
- The equipment must be assembled with due care by an adult person. If in doubt call upon the help of a second person, if possible technically talented.
- Please note that there is **always** a danger of injury when working with tools or doing manual work. Therefore please be careful when assembling this machine.
- Ensure that your working area is free of possible sources of danger, for example don't leave any tools lying around. Always dispose

- Use for your regular cleaning, maintenance and care our appliance maintenance set (Article no. 07921-000) specifically licensed for KETTLER Sports apparatus and available from the Sport specialized trade.
- Nobody may be in the moving range of a training person during training.

packaging material in such a way that it may not cause any danger. There is always a **risk of suffocation** if children play with plastic bags!

- The fastening material required for each assembly step is shown in the diagram inset. Use the fastening material exactly as instructed. The required tools are supplied with the equipment.
- Bolt all the parts together loosely at first, and check that they have been assembled correctly. Tighten the locknuts by hand until resistance is felt, **then use spanner to finally tighten nuts completely against resistance (locking device)**. Then check that all screw connections have been tightened firmly. **Attention:** once locknuts have been unscrewed they no longer function correctly (the locking device is destroyed), and must be replaced.
- For technical reasons, we reserve the right to carry out preliminary assembly work (e.g. addition of tubing plugs).

List of spare parts page 32-34

When ordering spare parts, always state the full article number, spare-partnumber, the quantity required and the S/N of the product (see handling).

Example order: Art.no. 07681-500 / spare-part no. 10100030 / 2 pieces / S/N

Please keep original packaging of this article, so that it may be used for transport at a later date, if necessary.

Goods may **only** be returned after prior arrangement and in (internal) packaging, which is safe for transportation, in the original box if possible.

It is important to provide a detailed defect description / damage report!

Important: spare part prices do not include fastening material; if fastening material (bolts, nuts, washers etc.) is required, this should be clearly stated on the order by adding the words „**with fastening material**“.

Waste Disposal



KETTLER products are recyclable. At the end of its useful life please dispose of this article correctly and safely (local refuse sites).

KETTLER (GB) Ltd.

Merse Road · North Moons Moat · Redditch,
Worcestershire B98 9HL · Great Britain

<http://www.kettler.co.uk>

KETTLER International Inc.

1355 London Bridge Road · Virginia Beach · Virginia VA
23453 USA

<http://www.kettlerusa.com>

Messhilfe für Verschraubungsmaterial

GB Measuring help for screw connections

F Gabarit pour système de serrage

NL Meethulp voor schroefmateriaal

E Referencia de medición para el material de atornilladura

P Auxiliar de medição para materiais de aparafusamento

I Misura per il materiale di avvitamento

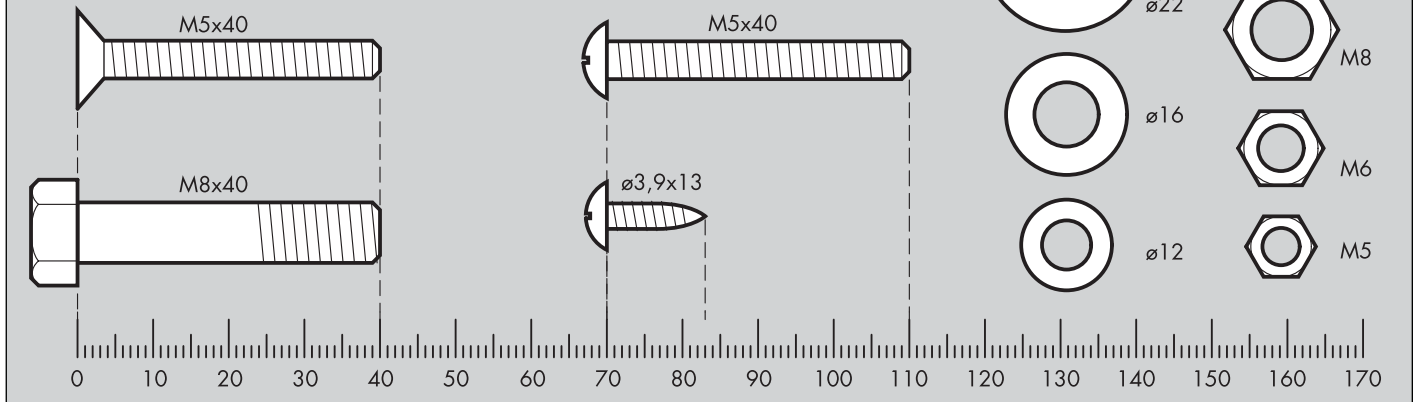
PL Wzornik do połączeń śrubowych

CZ Měřicí pomůcka pro materiál k přišroubování

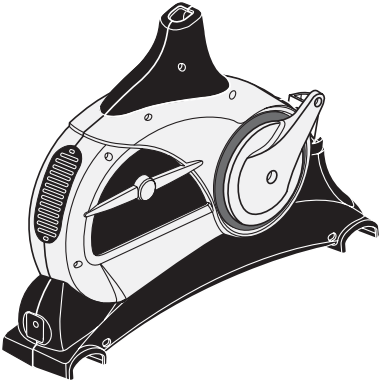
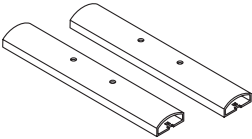


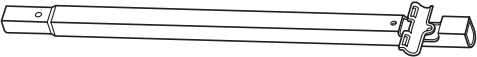





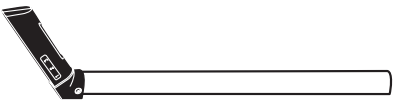


DK Hjælp til måling af skruer


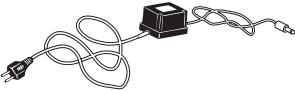

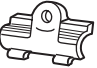












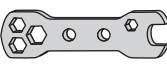
Beispiele Examples Examples Bij voorbeeld Ejemplos

Esempio Przykłady Příklad Eksempel Exemplo

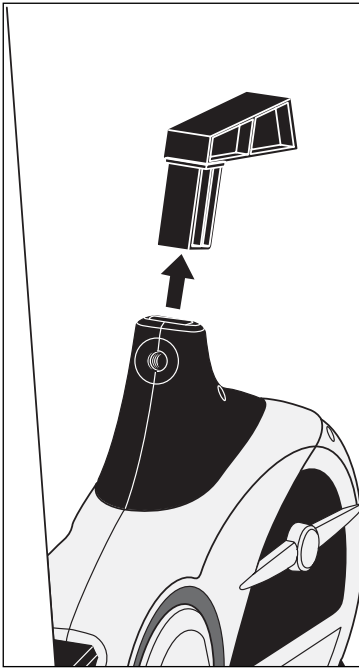


Checkliste

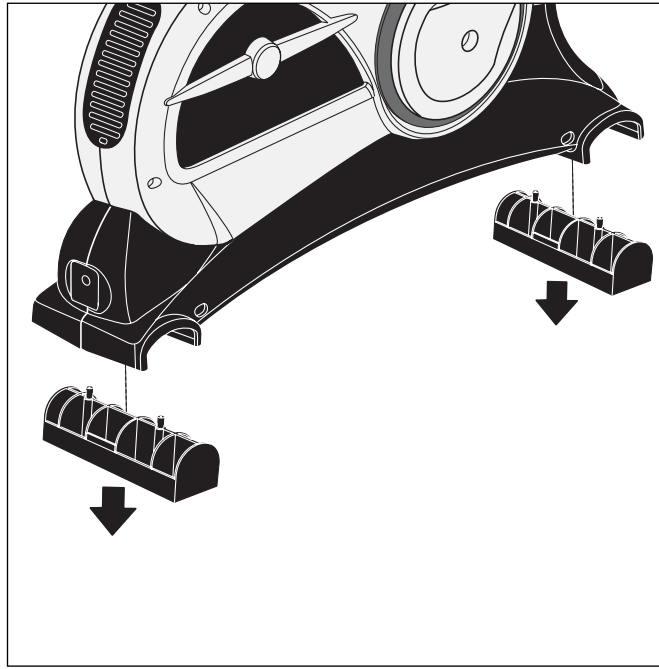
		Stck.	
		1	
		2	
		2	
		1/1	
		1	
		1	
		1	
		1	
		1	
		1	
		1	
		1	
		1	

	Pulsmesser	1	
		1	
		1	
		1	
	M 8	1	
		1	
	M 16	1	
	M 8	1	
	M 8 x 60	1	
	M 8 x 45	4	
	M 8 x 16	2	
	ø 25/8	5	
	ø 21/8	2	
	3,9 x 25	3	
	3,9 x 50	2	
	Steckschlüssel SW 10/13	1	
	Mehrzweckschlüssel	1	

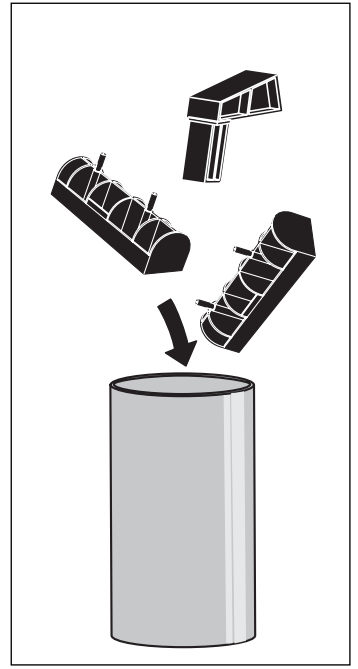
1



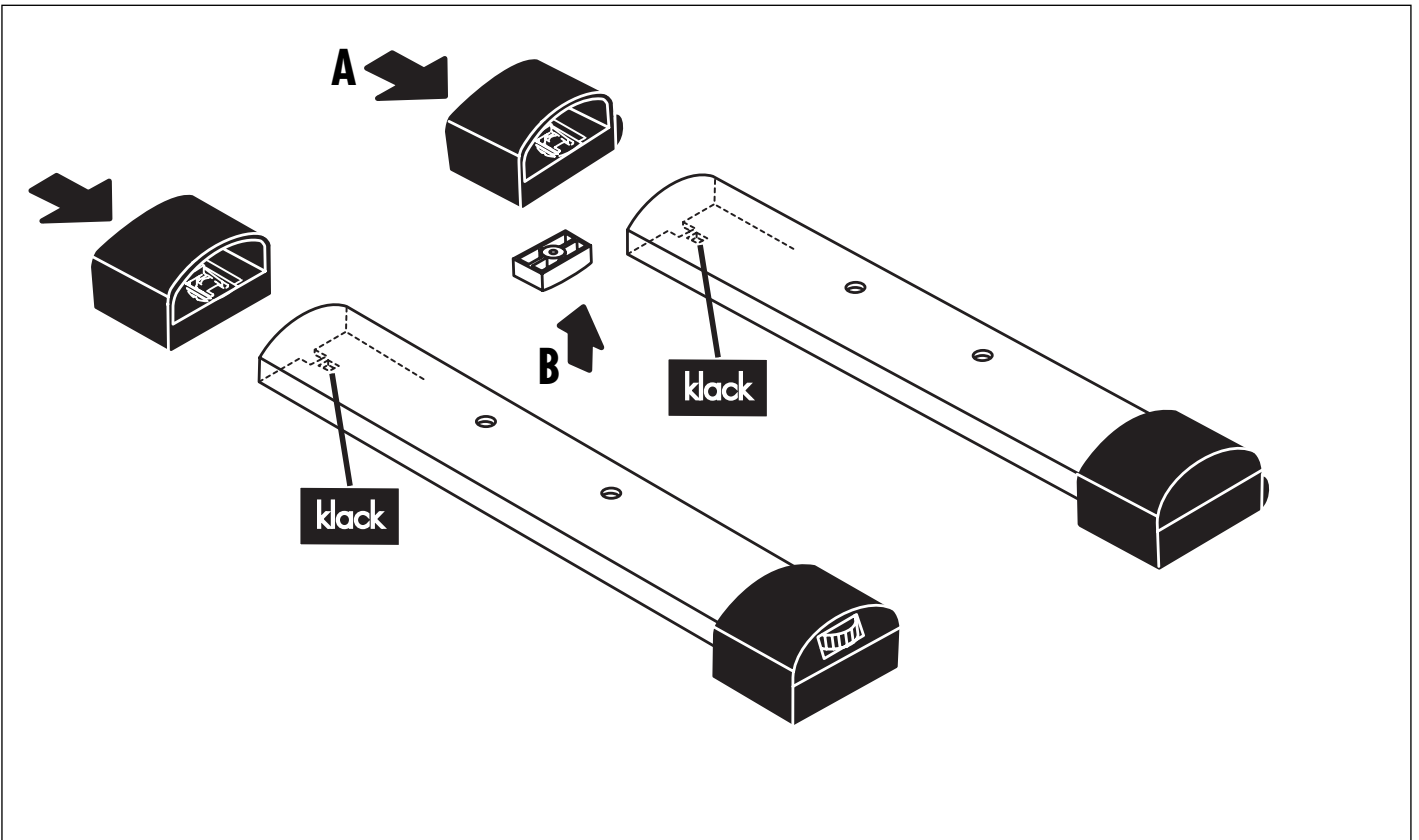
1a



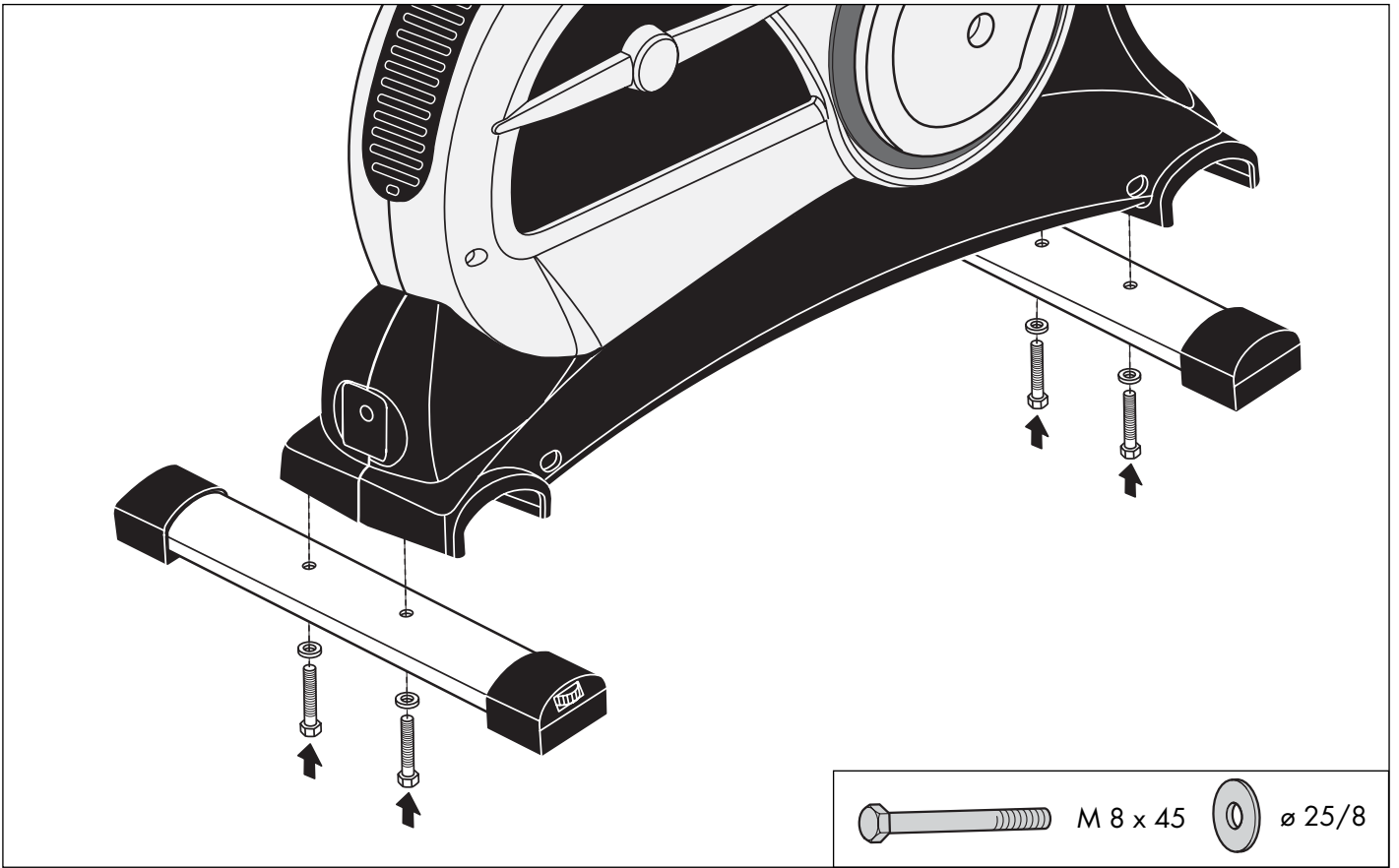
1b



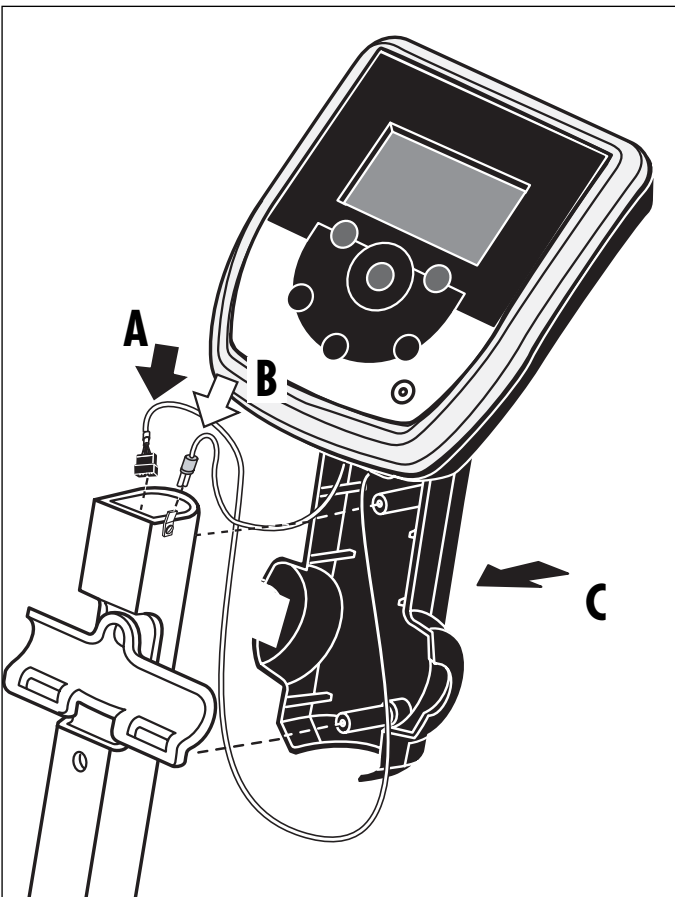
2



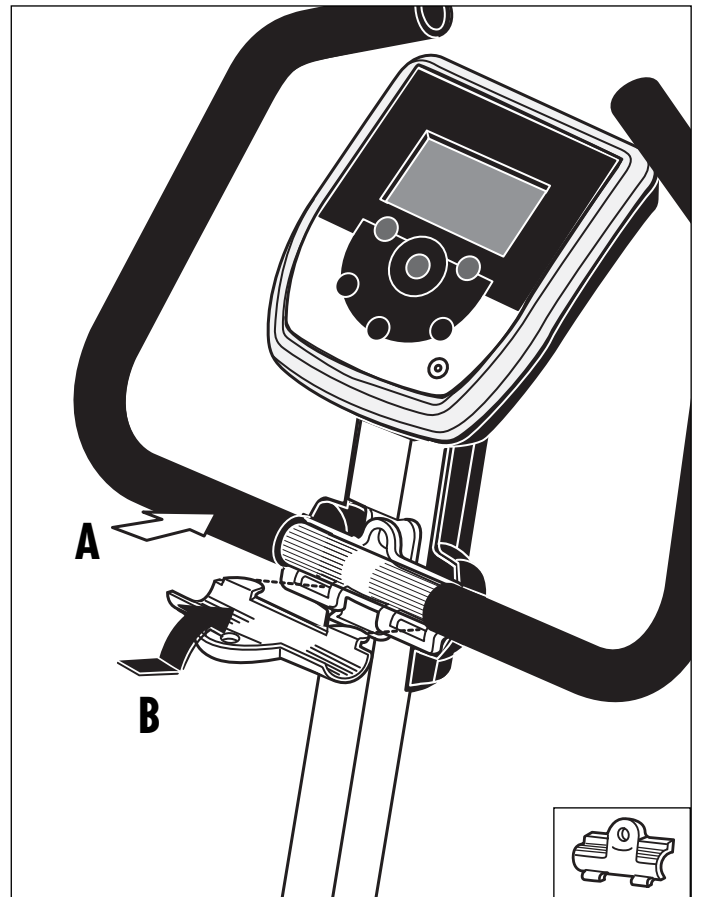
3



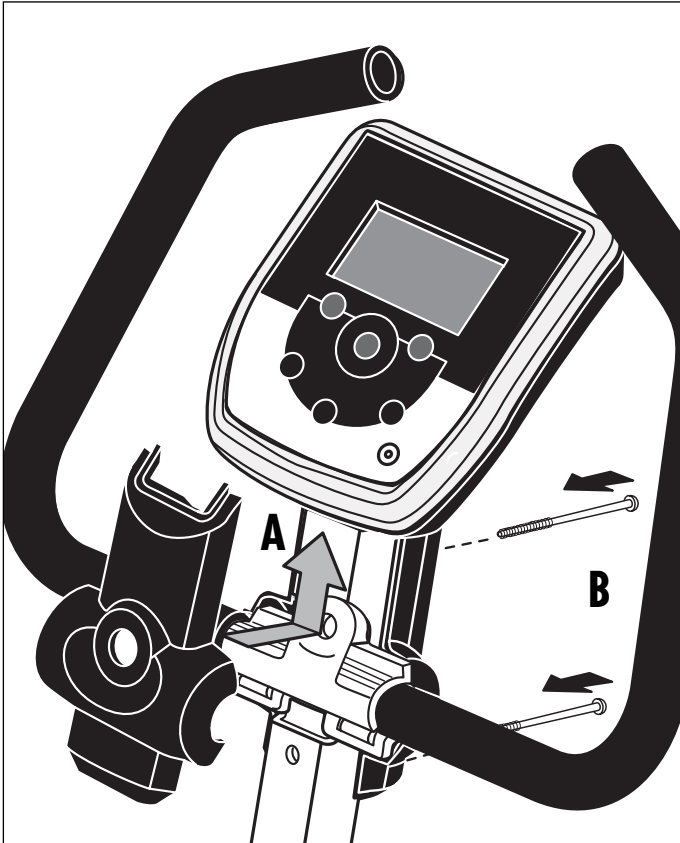
4



5

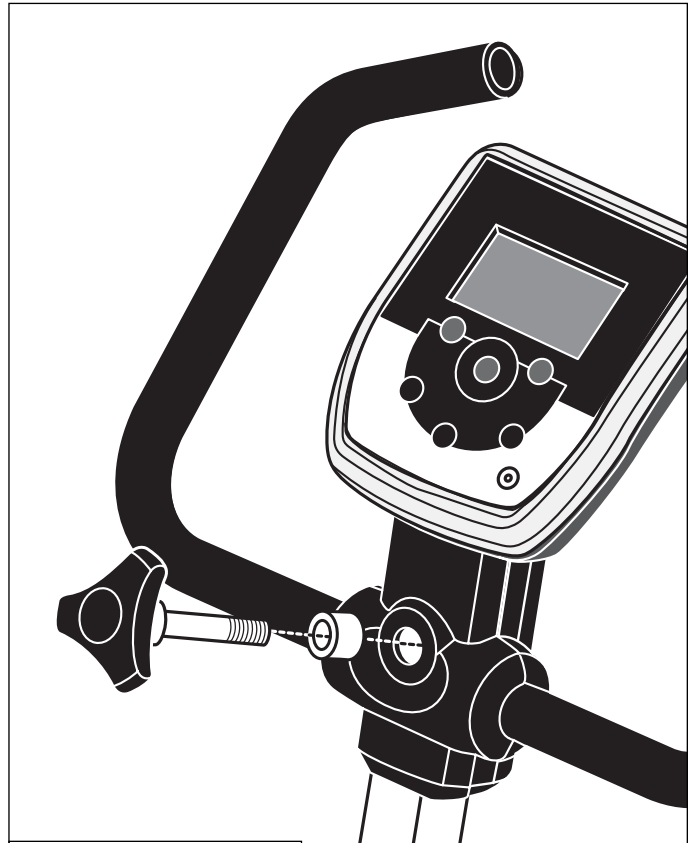


6



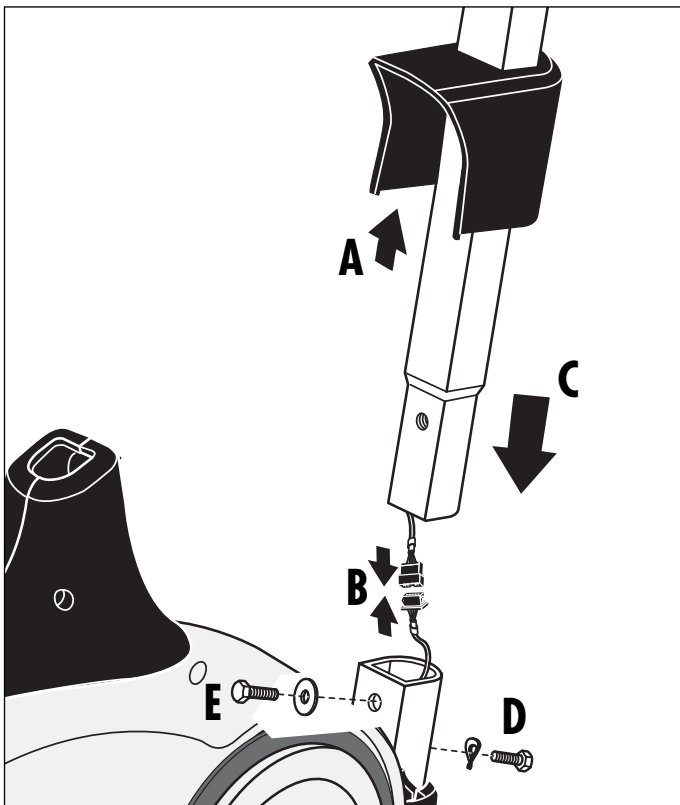
3,9 x 50

7



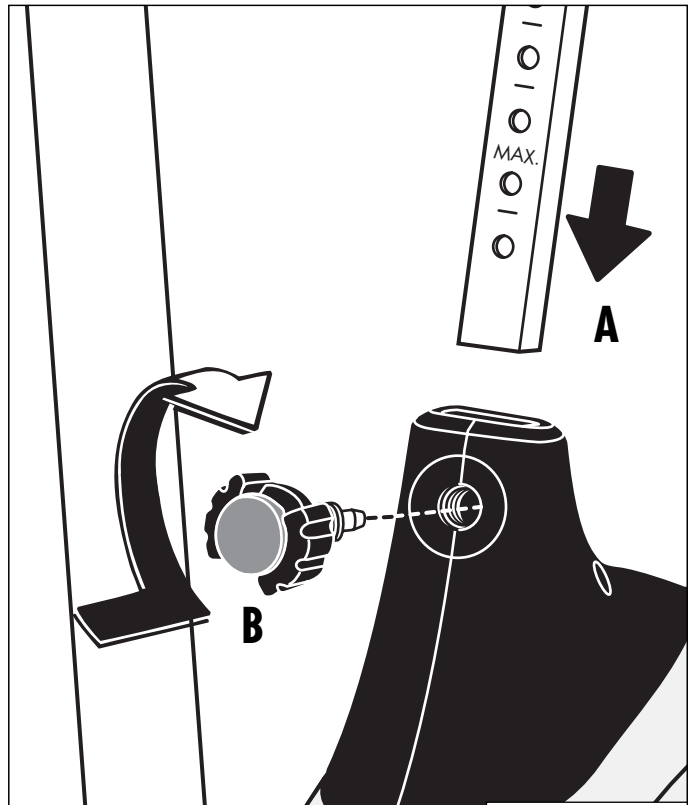
M 8

8



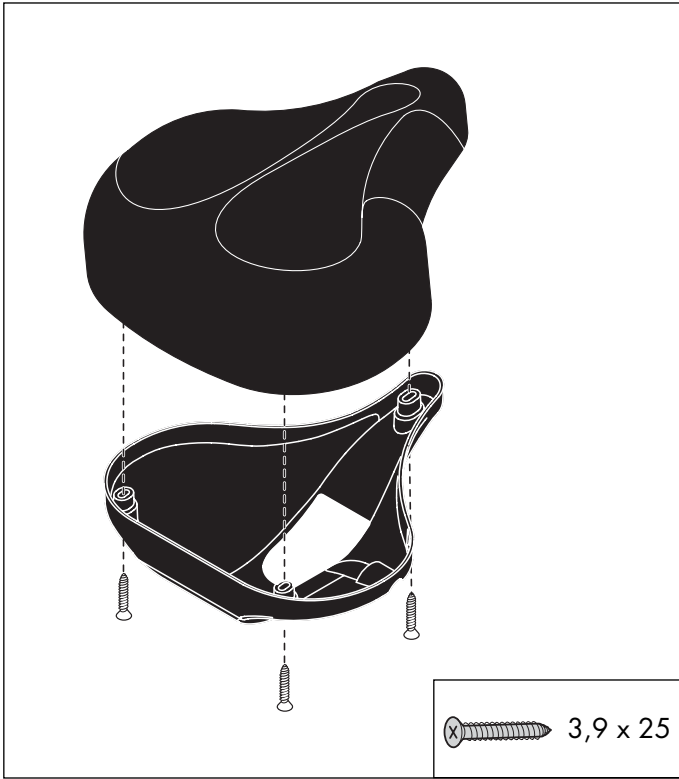
M 8 x 16 M 8 x 16 M 8 x 16

9

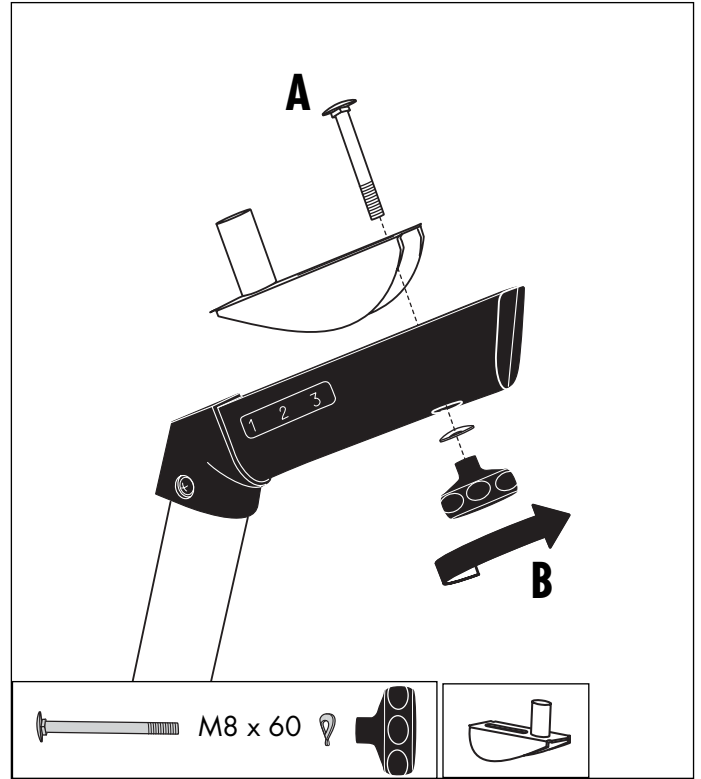


M 16

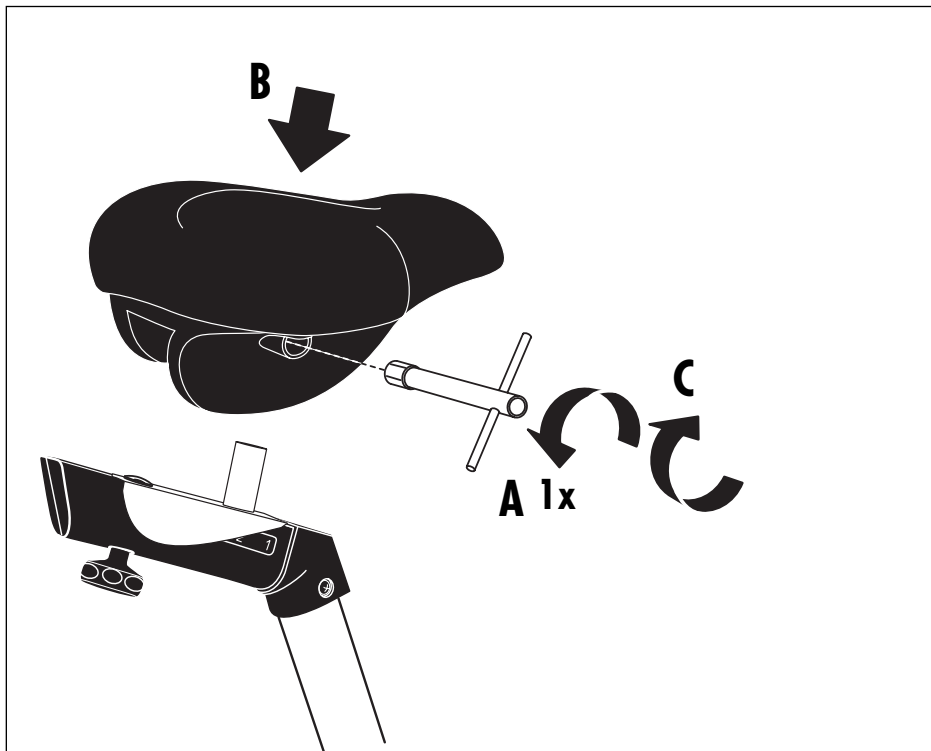
10



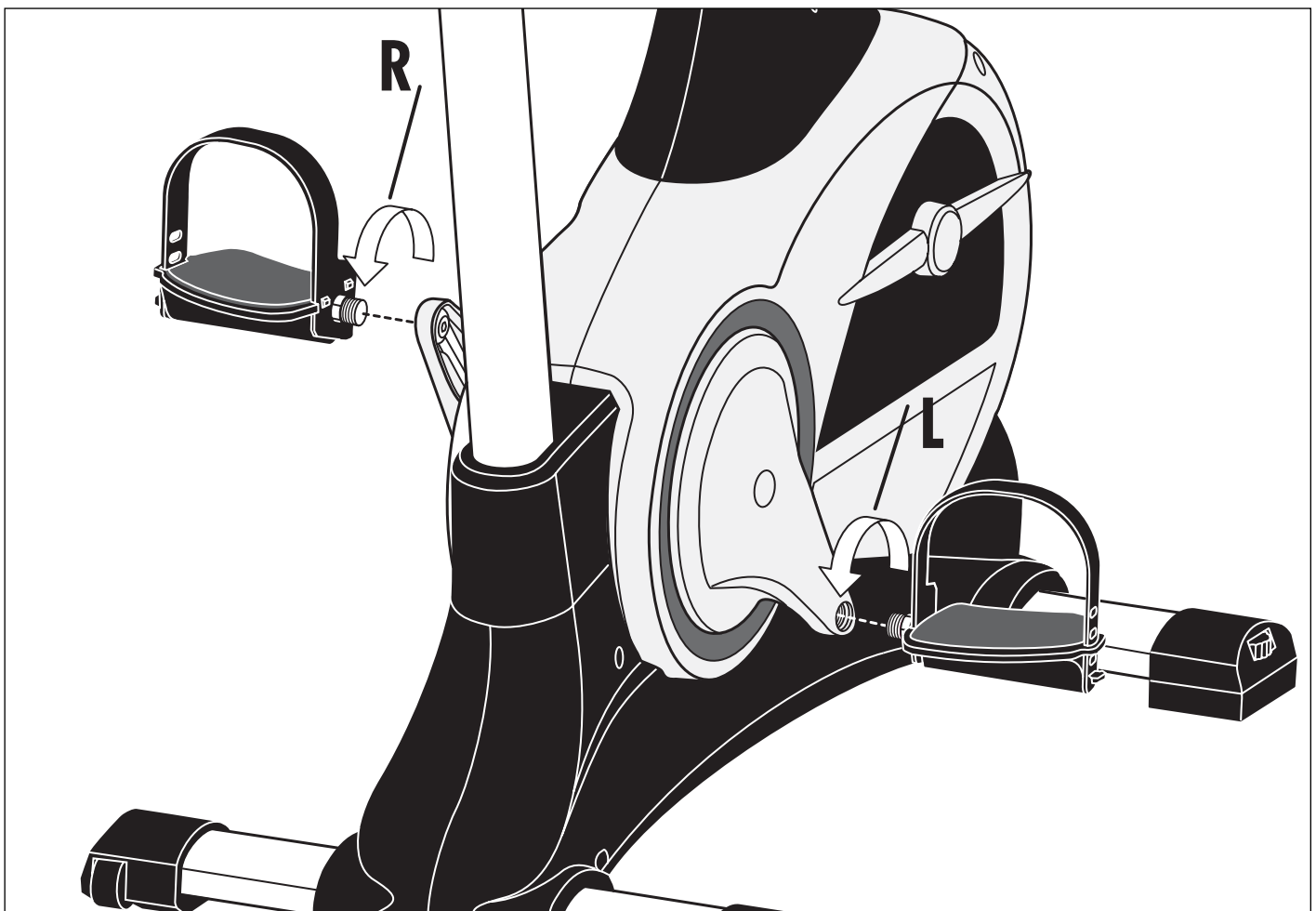
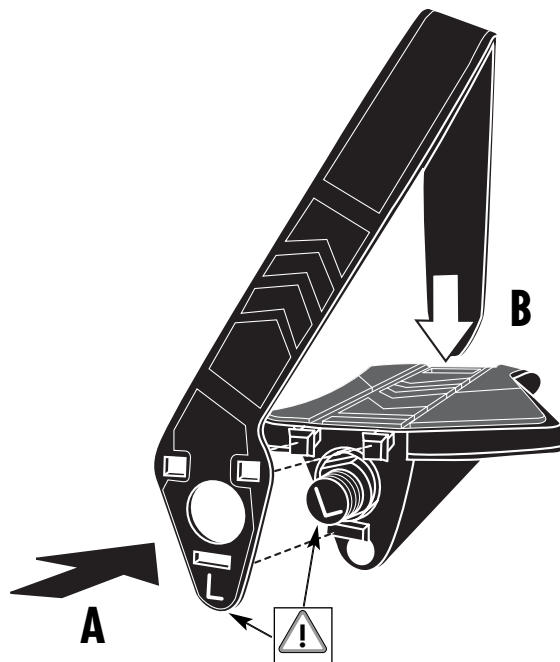
11



12

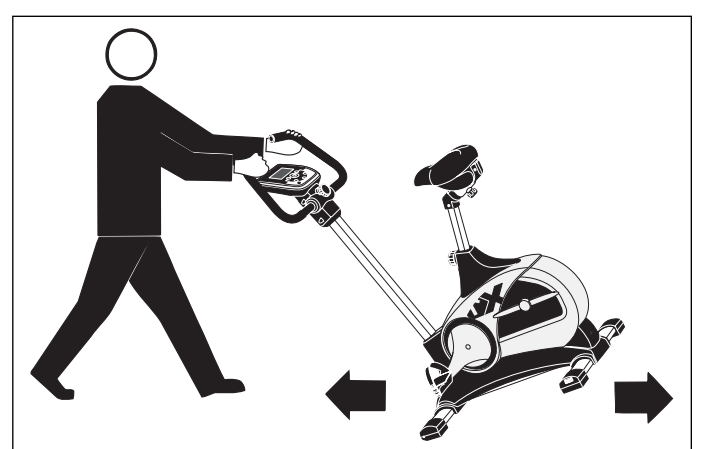
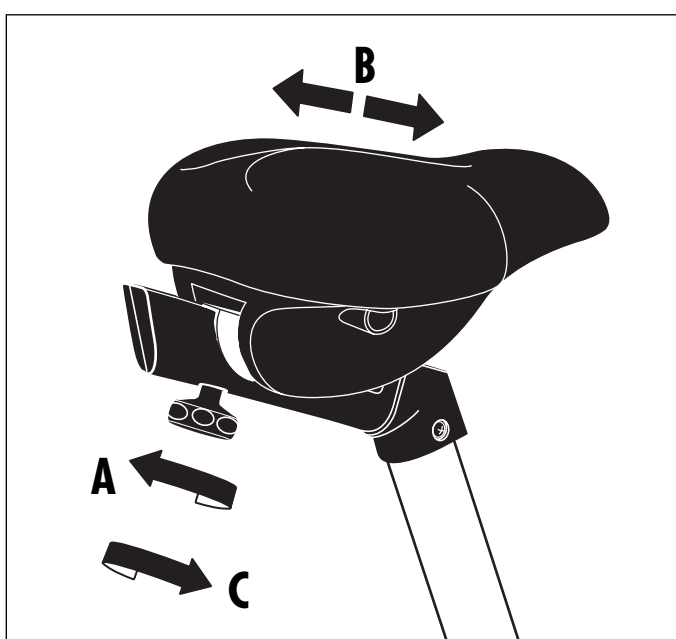
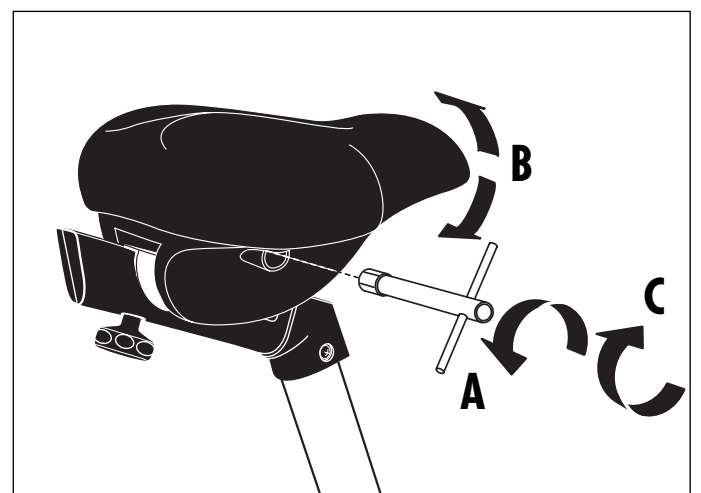
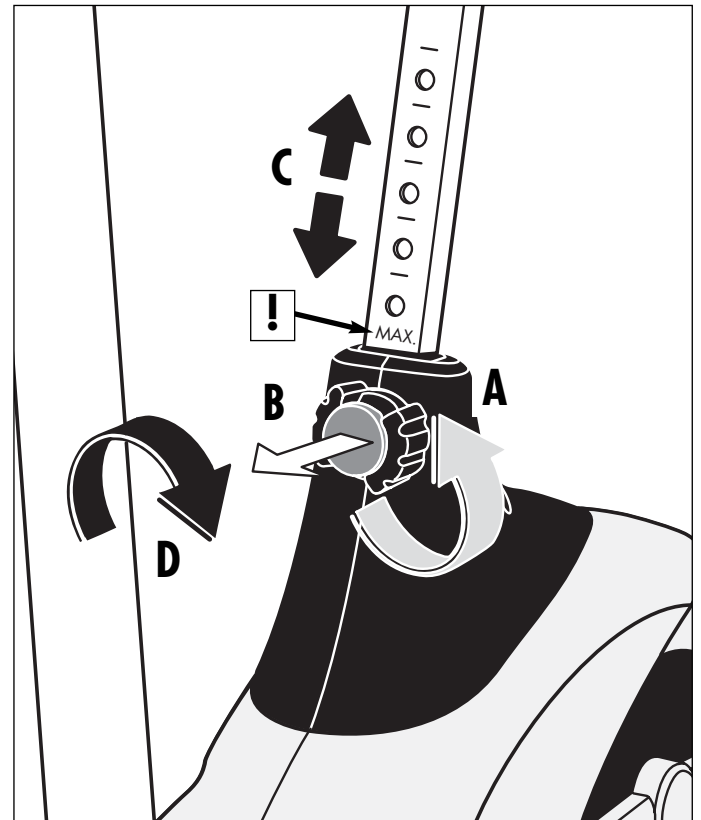
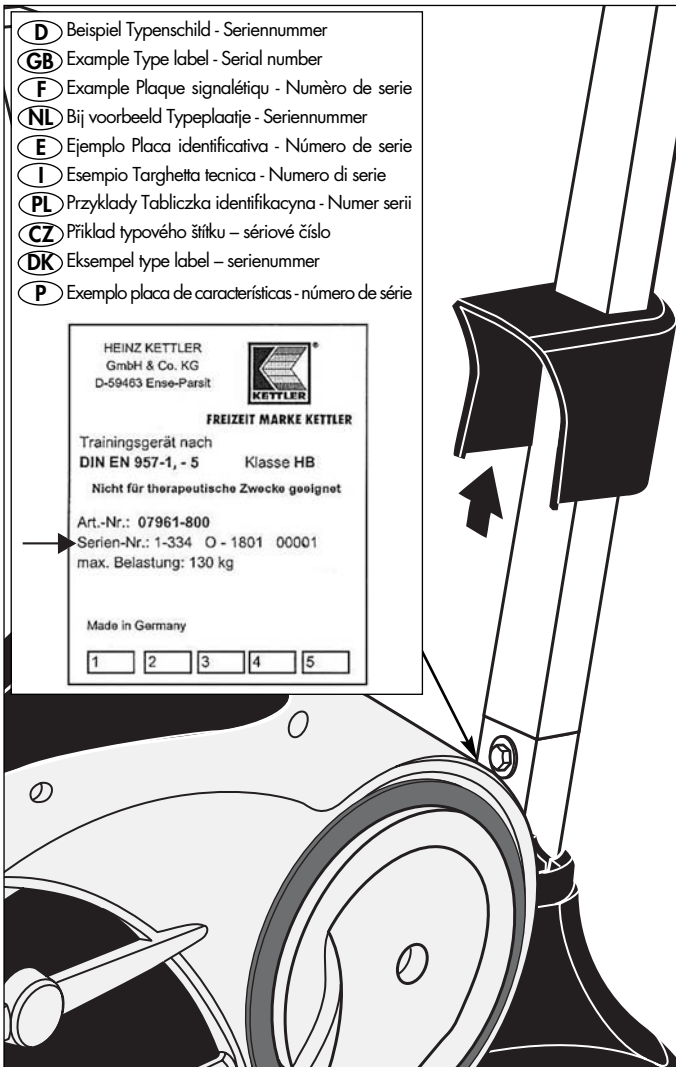


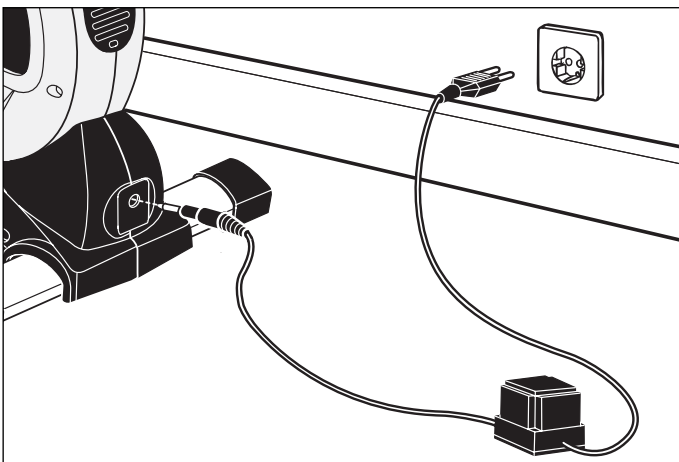
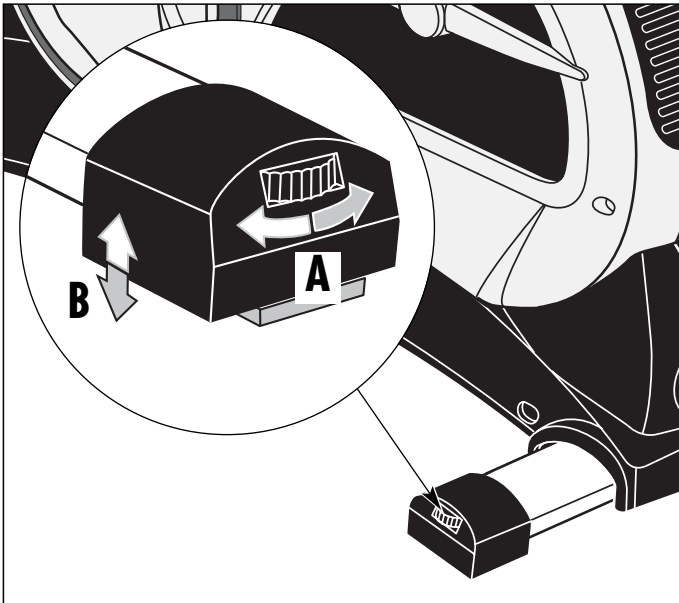
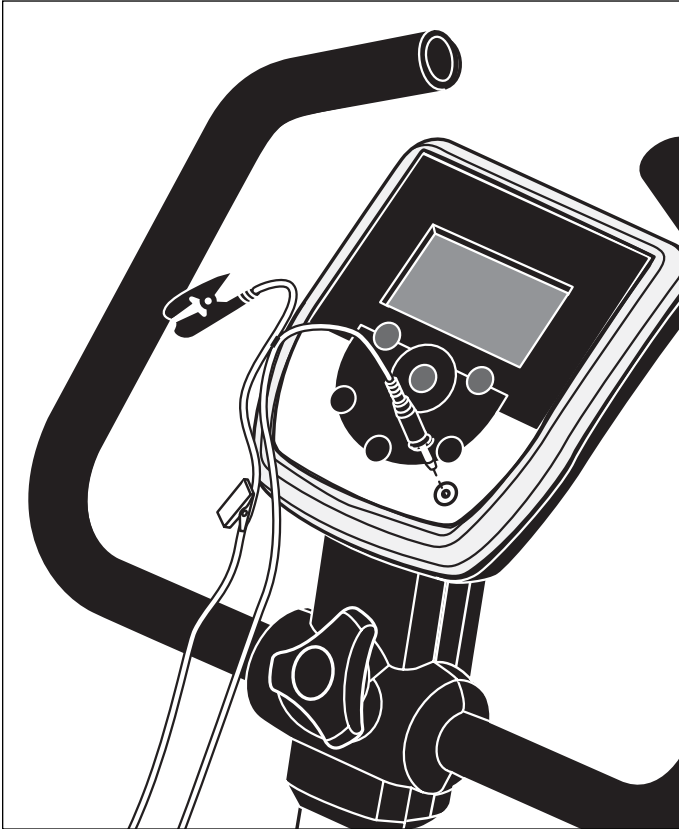
- D** Zur Montageerleichterung die Zehriemen im warmen Wasser anwärmen.
- GB** In order to make installation easier, gently warm the foot strap in warm water.
- F** Pour faciliter le montage, réchauffer les sangles des pédales dans de l'eau chaude.
- NL** Om de montage te vergemakkelijken de voetriemen in warm water verwarmen.
- E** Para facilitar el montaje témplese las correas de fijación de los pedales en agua caliente.
- I** Per facilitare il montaggio, riscaldare le cinghie dei pedali in acqua calda.
- PL** W celu ułatwienia montażu pasek pedału podgrzać w ciepłej wodzie.
- CZ** Za účelem usnadnění montáže nahřejte řemen v teplé vodě.
- DK** Opvarm pedalstropperne i varmt vand så de er nemmere at montere.
- P** Para facilitar a montagem, é conveniente aquecer previamente as fivelas de fixação do pé em água quente.



Handhabungshinweise

- GB** Handling **F** Indications relatives à la manipulation **NL** Bedieningsinstructies **E** Instrucciones de manejo
I Avvertenze per il maneggio **PL** Wskazówki obsługowe **CZ** Pokyny k manipulaci **DK** Håndtering
P Notas sobre o manuseamento





D Bei Geräten mit Netzteil: **Achtung!** Betrieb nur mit mitgeliefertem Original-Netzteil oder Original-KETTLER-Ersatzteil (siehe Ersatzteilliste) zulässig. **Ansonsten Gefahr der Beschädigung.**

GB For products with power supply: **Attention!** Only use with original power unit as supplied, or with original KETTLER spare part (see spare part list). **Otherwis this may result in damage.**

F Pour les appareils avec bloc secteur: **Attention!** Exploiter uniquement l'appareil avec son bloc secteur original qui fait partie de la fourniture ou une pièce de rechange originale de KETTLER (voir liste des pièces de rechange). **Sinon risque de détérioration.**

NL Bij apparaten met transformator: **Let op!** Gebruik alleen toegestaan met de bijgeleverde originele transformator of origineel KETTLER-onderdeel (zie onderdelenlijst). **Anders gevaar voor beschadiging.**

E En aparatos con fuente de alimentación: **¡Atención!** Funcionamiento solamente autorizado con la fuente de alimentación original suministrada o con pieza de recambio original de KETTLER (ver lista de piezas de recambio). **De lo contrario podría ocasionar daños.**

I Apparecchi con alimentatore: **Attenzione!** L'utilizzo è consentito soltanto con l'alimentatore originale fornito in dotazione oppure con parte di ricambio originale della KETTLER (vedasi lista delle parti di ricambio). **Altrimenti sussiste il rischio di danneggiamenti.**

PL Dotyczy urządzeń z zasilaczem: **Uwaga!** Eksploatacja urządzenia jest możliwa tylko z dostarczonym oryginalnym zasilaczem lub z oryginalnym urządzeniem zastępczym marki KETTLER (patrz ? Lista części zamiennych). **W przeciwnym razie istnieje ryzyko uszkodzenia.**

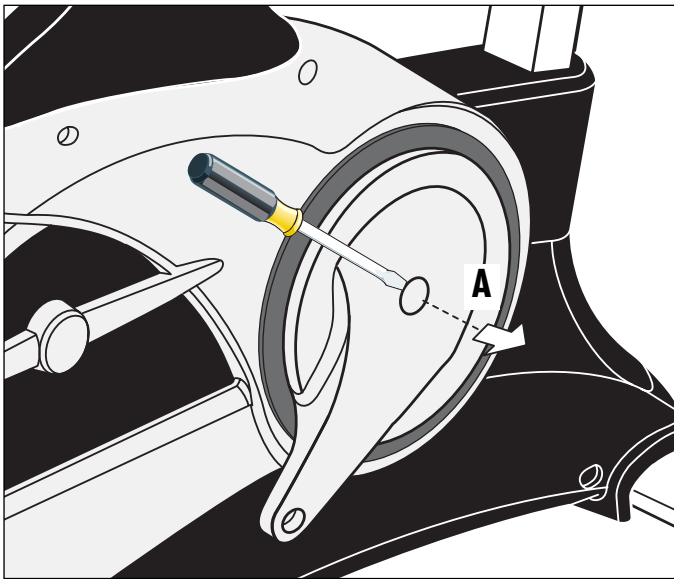
CZ U přístrojů se síťovým zdrojem: **Pozor!** Provoz je přípustný pouze s originálním síťovým zdrojem obsaženým v dodávce nebo originálním náhradním dílem od firmy KETTLER (viz seznam náhradních dílů). **Jinak vzniká nebezpečí poškození.**

DK Maskiner med netdel: **OBS!** Det er kun tilladt at bruge den medleverede originale netdel eller den originale reservedel fra KETTLER (se reservedelslisten). **I modsat fald kan maskinen beskadiges.**

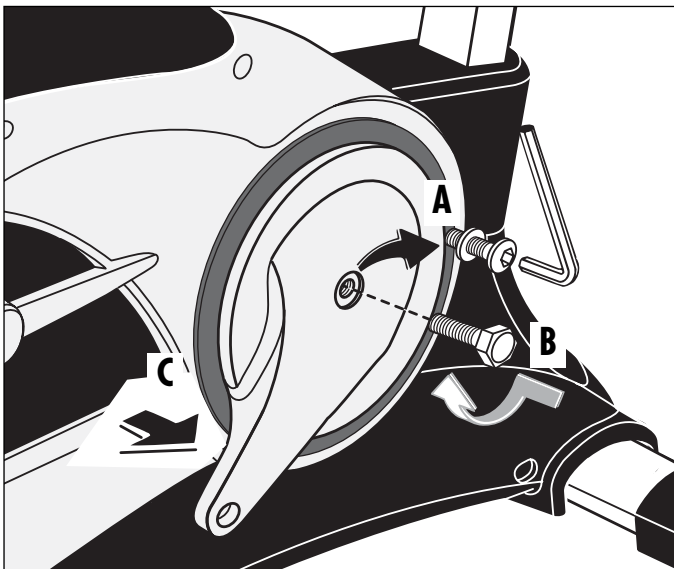
P Em aparelhos com cabo: **Atenção!** O funcionamento só é permitido com o cabo original fornecido ou com a peça sobressalente original KETTLER (ver lista de peças sobressalentes). **Caso contrário, perigo de danos.**

Demontage der Pedalarms

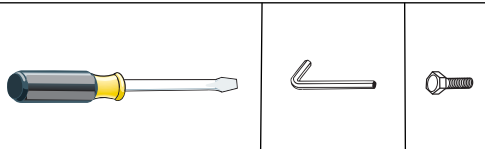
1



2



- D - Gehört nicht zum Lieferumfang.
- GB - Not included.
- F - Ne fait pas partie du domaine de livraison.
- NL - Is niet bij de levering inbegrepen.
- E - No forma parte del volumen de entrega.
- I - Non in dotazione alla fornitura.
- PL - Nie należy do zakresu dostawy.
- CZ - Nepatří do rozsahu dodávky.
- P - Não está incluído nas peças fornecidas.
- DK - Er ikke inkluderet i leveringsomfanget.



Zum Abziehen des Pedalarms entfernen Sie zuerst die Schutzkappe und Schraube (A). Halten Sie den Pedalarm fest und drehen Sie eine Schraube M12 (gehört nicht zum Lieferumfang) in die Gewindeöffnung (B). Nach einigen Umdrehungen können Sie den Pedalarm abnehmen (C).

(GB) Removal of pedal arms

To pull off the pedal arms remove cap and screw (A). Grip the pedal arm tightly, and screw in an M12 bolt (not supplied) into the thread (B). After a few turns you may take off the pedal arm (C)

(F) Démontage de la manivelle

Enlevez d'abord le capot de protection ainsi que la vis (A) avant de retirer le bras de la pédale. Tenez le bras de la pédale et vissez une vis M12 (ne fait pas partie de la gamme de livraison) dans l'ouverture de filetage (B). Vous pouvez retirer le bras de la pédale (C) après plusieurs tours.

(NL) Demontage van de krenk

Voor het losmaken van de cranks, verwijdert u eerst het beschermopje en schroef (A). Houd de crank vast en draai e g van de schroefdraad (B). Na enkele omwentelingen kunt u de crank verwijderen (C).

(E) Desmontaje de las manivelas de pedal

Para quitar la manivela de pedal hay que quitar primero la tapa protectora y el tornillo (A). Retenga la manivela de pedal y apriete un tornillo M12 (no forma parte del volumen de suministro) en la rosca (B). Después de haber efectuado algunas vueltas podrá quitar la manivela de pedal (C).

(I) Smontaggio dell'attacco del pedale

Per togliere l'attacco del pedale toglieate prima il coperchietto protettivo e la vite (A). Tenete fermo l'attacco del pedale e girate una vite M12 (non compresa nella fornitura) nella filettatura (B). Dopo aver effettuato alcuni giri, potete togliere l'attacco del pedale (C).

(PL) Demontaż ramion pedału

W celu zdjęcia ramienia pedału należy najpierw usunąć osłonę i wykręcić śrubę. (A). Przytrzymując ramię pedału wkręć śrubę M12 (nie należy do zakresu dostawy) w gwintowany otwór (B). Po kilku obrotach możesz zdjąć ramię pedału (C).

(CZ) Demontáž kliky pedálu

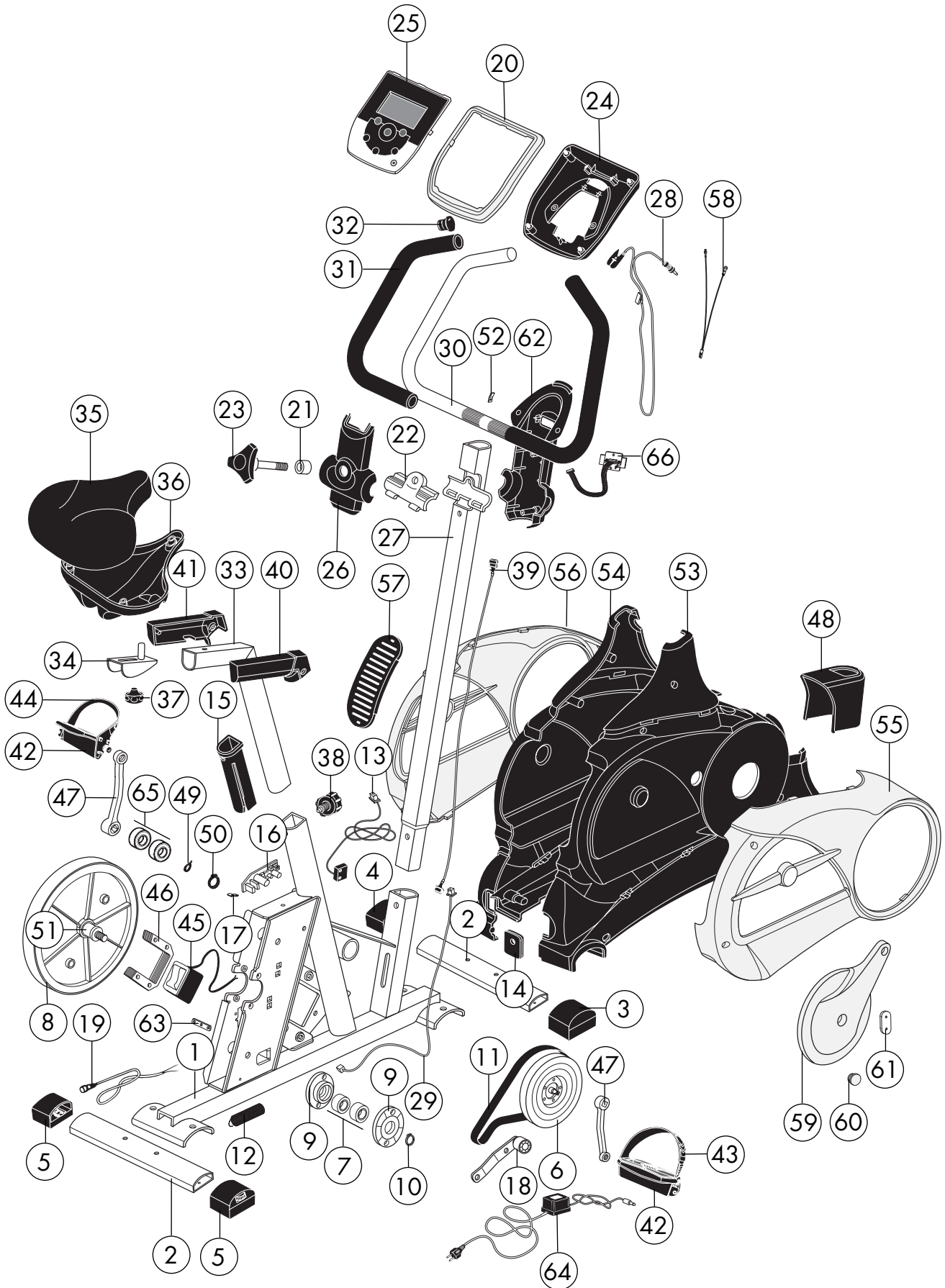
Pro sejmutí kliky pedálu nejprve odejměte ochrannou čepičku a šroub (A). Pevně přidržeťte kliku pedálu a do závitového otvoru (B) zašroubujte šroub M12 (nepatří do rozsahu dodávky). Po několika otočeních lze kliku pedálu odebrat (C).

(DK) Afmontering af pedalarms

Fjern først beskyttelseskappen og skruen (A) inden pedalarmsen tages af. Tag fat i pedalarmsen og skru en M 12 bolt (er ikke inkluderet i leveringsomfanget) i gevindåbningen (B). Efter nogle få omdrejninger kan pedalarmsen tages af (C).

(P) Desmontagem dos braços do pedal

Para retirar o braço do pedal, remova primeiro a capa de proteção e o parafuso (A). Segure bem o braço do pedal e aparafuse um parafuso M12 (não está incluído nas peças fornecidas) no furo da rosca (B). Depois de dar algumas voltas, pode levantar o braço do pedal (C).



Ersatzteilliste Heimtrainer „X 1“

Pos.	Beschreibung	Stück	Ersatzteil-Nr.
1	Rahmen gepulvert	1	91111948
2	Bodenrohr ø 60x2x450 mm	2	91111951
3	Rollschoner rechts	1	91170738
4	Rollschoner links	1	91170739
5	Verstellschoner	2	91170740
6	Antriebsrad mit VKT-Achse	1	91130125
7	Kugellager 6203 ZZ (paarweise je Achse wechseln)	2	33100023
8	Schwungrad mit Achse, Freilauf, Lagern und Befestigung	1	91140441
9	Lageraufnahme (2579) mit Buchsen und Befestigung	2	98585006
10	Sicherungsring (ø16 mm) für Schwungrad	3	10709016
11	Keilrippenriemen 1059mm, PJ8	1	67005122
12	Zugfeder mit Gewindeinsatz	1	25638032
13	Geschwindigkeitsabn. mit Kabel 375 mm und Befestig.	1	91170417
14	Aufnahme (4196) für Netzstecker	1	70129308
15	Führungs-Stopfen (3773) für Rahmen	1	70127716
16	Steuerung für Magnetspule mit Befestigung	1	91170428
17	Aufnahmeblech BD 1333 mit Befestigung	1	97200247
18	Spannrolle mit Umlenkhebel montiert	1	91140373
19	Leitung 850 mm, mit Buchse	1	42860012
20	Cockpit-Oberteil (4490) mit Befestigung	1	70129303
21	Distanzhülse 12 mm lang (zu Pos. 23)	1	97200562
22	Klemmschelle	1	97200363
23	Griffschraube M8x55 mm	1	91170576
24	Cockpit-Unterteil (4491) mit Befestigung	1	70129304
25	Computer X 1 (SF2B)	1	91170638
26	Cockpit-Vorderteil (4485) mit Befestigungselementen	1	70129305
27	Lenksäule gepulvert	1	91150671
28	Pulsabnehmer M 3406	1	67000421
29	Stromkabel unten, 950 mm	1	67000873
30	Griffbügel mit Griffschläuchen und Stopfen	1	91150593
31	Griffschlauch 580 mm lang	2	10118095
32	Stopfen für ø 25 mm	2	10100030
33	Sattelrohr verchromt, mit Sattelrohrabdeckungen .Pos.40 und 41	1	91160127
34	Gleitprofil	1	97100571
35	Sattel	1	72002610
36	Sattelabdeckung (3097)	1	70129291
37	Sterngriffschraube M8	1	10105003
38	Drehgriffschraube	1	10103801
39	Stromkabel oben, 1100 mm	1	67000874
40	Sattelrohrabdeckung rechts (4687) (mit Teil 41 bestellen)	1	70129292
41	Sattelrohrabdeckung links (4688) (mit Teil 40 bestellen)	1	70129293
42	Pedale mit Fußriemen Paar	1	33300020
43	Zehriemen rechts	1	33300106
44	Zehriemen links	1	33300105
45	Spulenkörper gewickelt mit Splint	1	91140276
46	Spulenbleche	15	1701305B
47	Pedalarm Paar	1	33001010
48	Lenkrohrabdeckung (4484)	1	70129313
49	Federscheibe ø 17,3 mm (zu Pos. 7)	2	10601003
50	Seegerring ø 17 mm (zu Pos. 7)	1	10709021
51	Antriebshülse ø 34,5 mm mit Freilauf HFL 1626	1	91140269
52	Schraubterminal	1	67000699
53	Seitenverkleidung Unterteil rechts (4479)	1	70129309
54	Seitenverkleidung Unterteil links (4480)	1	70129310
55	Seitenverkleidung rechts (4481)	1	70129316
56	Seitenverkleidung links (4482)	1	70129317
57	Lüftungsgitter (3338)	1	70129307
58	Erdungskabel	1	67000805
59	Pedalverkleidung (4483)	2	70129302

Ersatzteilliste Heimtrainer „X 1“

Pos.	Beschreibung	Stück	Ersatzteil-Nr.
60	Lamellenstopfen	2	10100200
61	Lasche	2	97200258
62	Cockpit-Stütze (4486)	1	70129306
63	Aufnahmewinkel	1	97200243
64	Netztrafo kpl.	1	42860006
65	Kugellager 6203 ZZ (paarweise je Achse wechseln)	2	33100054
66	Schnittstelle mit Kabel 300 mm lang	1	67000743
67	Schraubenbeutel (ohne Abbildung)	1	91180487



HEINZ KETTLER GmbH & Co. KG · Postfach 1020 · D-59463 Ense-Parsit
www.kettler.de

Free Manuals Download Website

<http://myh66.com>

<http://usermanuals.us>

<http://www.somanuals.com>

<http://www.4manuals.cc>

<http://www.manual-lib.com>

<http://www.404manual.com>

<http://www.luxmanual.com>

<http://aubethermostatmanual.com>

Golf course search by state

<http://golfingnear.com>

Email search by domain

<http://emailbydomain.com>

Auto manuals search

<http://auto.somanuals.com>

TV manuals search

<http://tv.somanuals.com>