

HealthTrainer®

502t

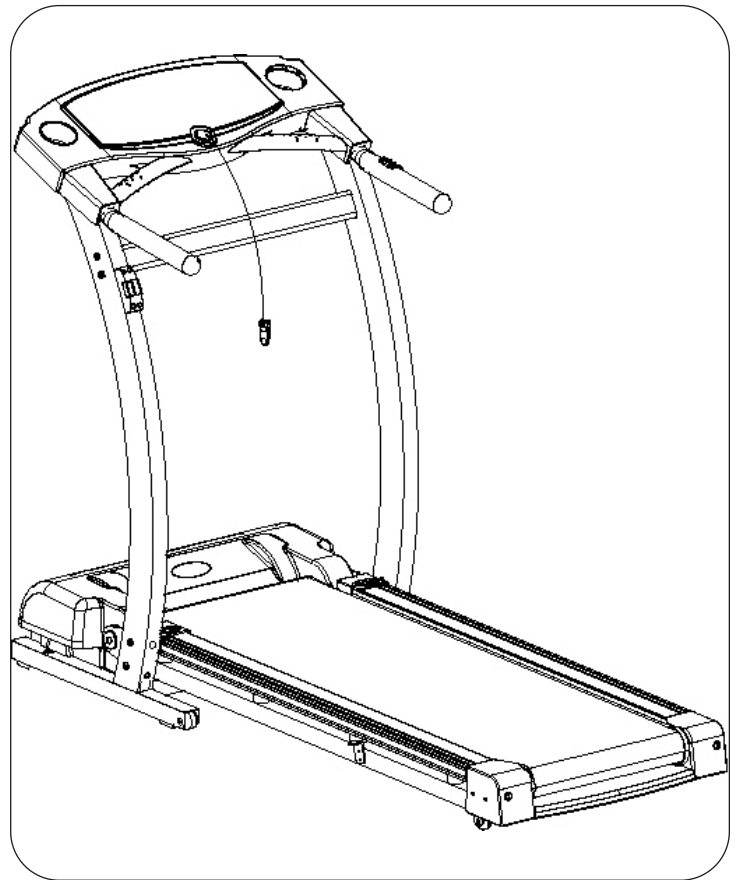
Owner's Manual

HEALTH TRAINER 502t TREADMILL

Customer Service
(888) 340-0482

Keys Fitness Products
4009 Distribution Drive
Suite 250
Garland, TX 75041

www.keysfitness.com



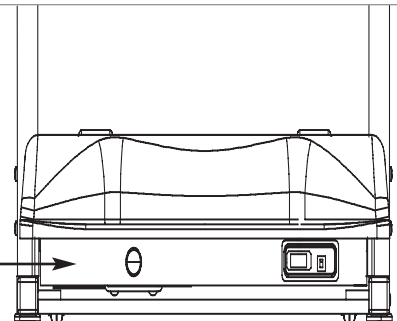
Model Name : 502t

Serial Number :

Purchase Date :

Write down for future reference

Serial Number Decal Location



415-00001
07/04



Table of Contents

Important Safety Information	3
Before You Start	4
Assembly	5-9
Warm Up Exercises	10
Moving Instructions	11
Power Requirements	12
Console Panel Functions	13
Program and Operation	14-15
Program Profiles	16
Belt Adjustment	17
Change to MPH or KPH	18
Maintenance Instructions	19
Troubleshooting Guide	20
Error Messages	21
Calibration Sequence	22
Parts List	23-25
Exploded View	26-27
Warranty Information	28

Important Safety Information

WARNING! Before using this treadmill or starting any exercise program, consult your physician. This is especially important for persons over the age of 35 and/or persons with pre-existing health problems. The manufacturer or distributor assumes no responsibility for personal injury or property damage sustained by or through the use of this product.

WARNING! To reduce the risk of electrical shock, burns, fire, or other possible injuries to the user, it is important to review this manual and the following precautions **before** operation.

SAFETY PRECAUTIONS AND TIPS

1. It is the owner's responsibility to ensure that all users of this treadmill have read the Owner's Manual and are familiar with warnings and safety precautions.
2. This treadmill has a user maximum capacity of **250** pounds.
3. The treadmill should only be used on a level surface and is intended for indoor use only. The treadmill should not be placed in a garage, patio, or near water and should never be used while you are wet. Keys recommends a treadmill mat be placed under the treadmill to protect floor or carpet and for easier cleaning.
4. Follow safety information in regards to plugging in your treadmill. Keep the power cord away from the incline wheels and do not run the power cord underneath your treadmill. Do not operate the treadmill with a damaged or frayed power cord.
5. Wear comfortable, good-quality walking or running shoes and appropriate clothing. Do not use the treadmill with bare feet, sandals, socks or stockings.
6. Always straddle the belt and allow it to start moving before stepping onto the belt.
7. Hold on to handrail when adjusting speed, incline, or other controls.
8. Always examine your treadmill before using to ensure all parts are in working order.
9. Allow the belt to fully stop before dismounting.
10. Pets should never be allowed near or on the treadmill.
11. Do not leave children unsupervised near or on the treadmill.
12. Never operate the treadmill where oxygen is being administered, or where aerosol products are being used.
13. Never insert any object or body parts into any opening.
14. For safety and to prevent damage to your treadmill, no more than one person should use the treadmill at a time.
15. Always unplug the treadmill before cleaning and/or servicing. Service to your treadmill should only be performed by an authorized service representative, unless authorized and/or instructed by the manufacturer
16. Failure to follow these instructions will void the treadmill warranty.
17. Never leave the treadmill unattended while it is running

Before You Start

Thank you for purchasing the **HEALTH TRAINER 502t Treadmill!** This quality product you have chosen was designed to meet your needs for cardiovascular exercise. Before you start, please read the Owner's Manual and become familiar with the operation of your new treadmill.

Remember to take the time to perform the stretching exercises provided to avoid injury.

Do not stand on the walking belt while pressing the Power button or Start/Stop button.

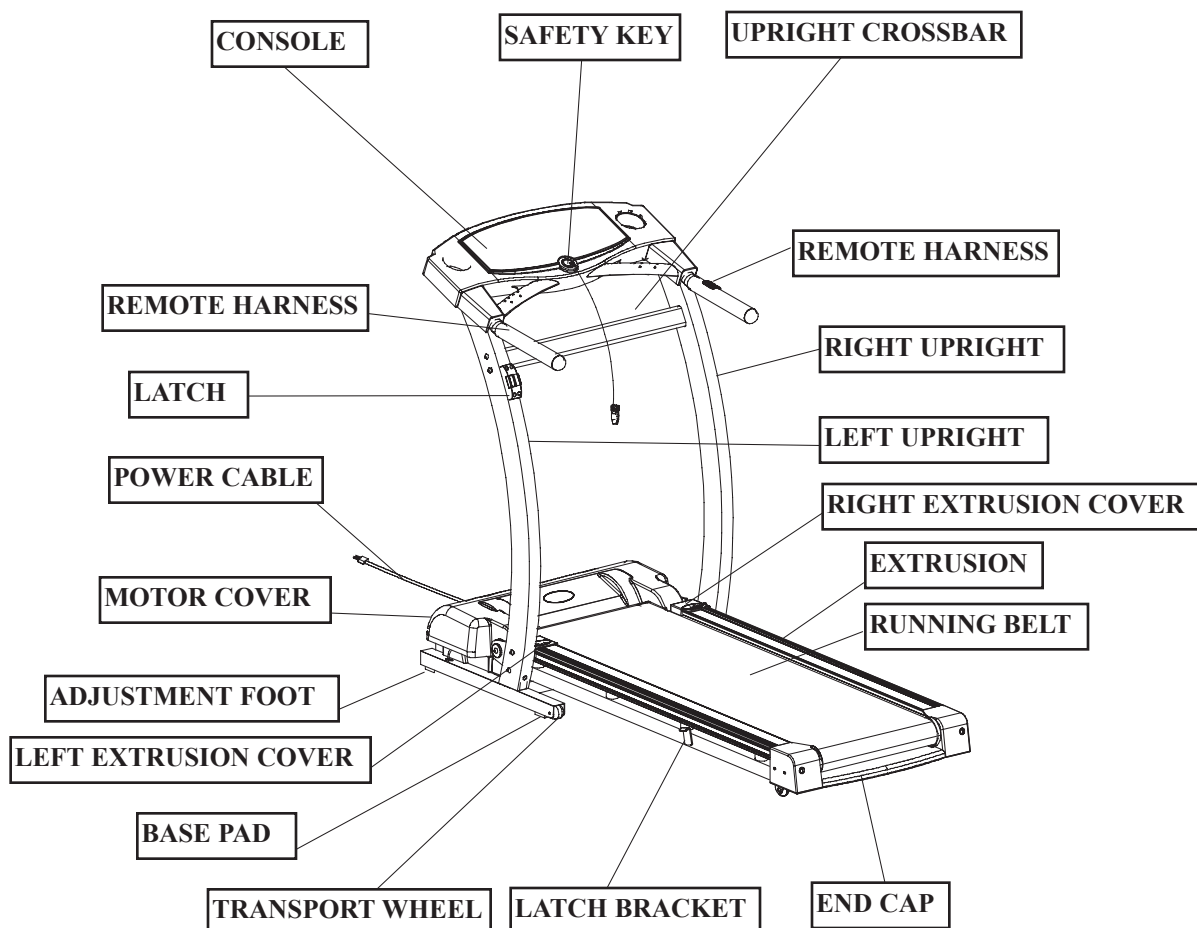
Always adjust the speed of the treadmill in small increments as this treadmill is capable of high speeds.

If you are taking medication, consult your physician to see if the medication will affect your exercise heart rate.

If you have heart problems, you are not active, and/or are over the age of 35 years, do not use the pre-set treadmill programs or start an exercise program without first contacting and receiving approval from your physician.

To avoid the risk of electrical shock, always keep the console dry. Do not spill liquids on the console. Keys Fitness recommends a sealed water bottle for beverages consumed while using the treadmill.

Please review the following drawing below to familiarize yourself with the listed parts. This manual covers several treadmills, so the one pictured below may not be identical to your particular model.



Assembly

The HEALTH TRAINER 502t treadmill will require assembly before operating. After opening the box, remove any packing material from the treadmill.

Do not throw away any packing materials until the unit is working properly.

Place the base on a clean, level surface. Make sure the electrical cord will easily reach an electrical outlet.

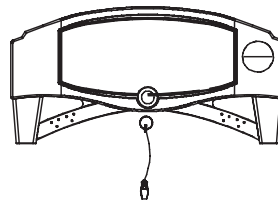
Locate the hardware pack and identify the following parts required for assembly.

Parts List:

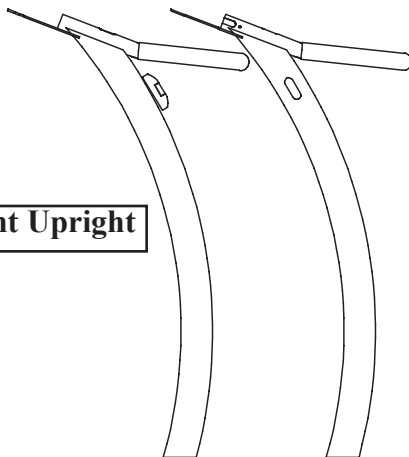
1. Owner's Manual
2. Console Assembly
3. Left and Right Uprights
4. Upright Crossbar
5. Power Cable
6. Allen Wrench
7. Washer 9*22*1.6 mm (16)
8. Allen Bolt M8*15 mm (16)
9. Screw ST4.2*16 (6)
10. Screw ST4.2*13 (1)



Owners Manual



Console Assembly



Left and Right Upright

Upright Crossbar



Power Cable



Allen Wrench



Washer- Qty. 16
9*22*1.6 mm



Bolt- Qty. 16
M8*15



Screw- Qty. 6
ST4.2*16



Screw- Qty. 1
ST4.2*13



Assembly

Assembly requires the included allen wrench and your own phillips screwdriver.

Do not plug in the power cord until all assembly step are completed.

1. With the treadmill deck in the down position, leave the unit on the original packing material to assemble all parts. Refer to figure 1.

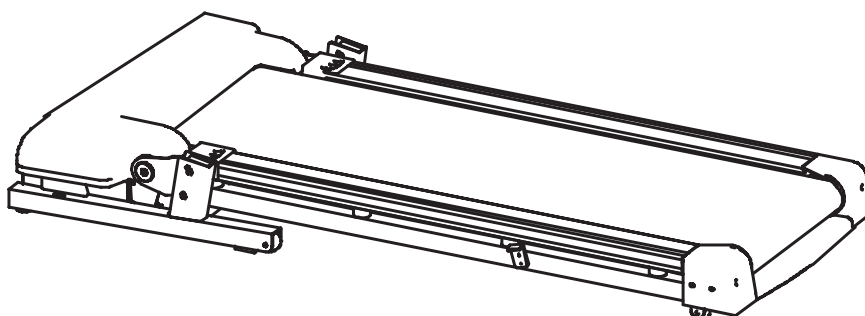


Figure 1: Deck in down position

2. Connect the Console Harness together. The harness is located in the Left Upright assembly. Refer to Figure 2 and Figure 3.

Caution: Make sure harness is installed inside upright and pay attention not to pinch the wire harness.

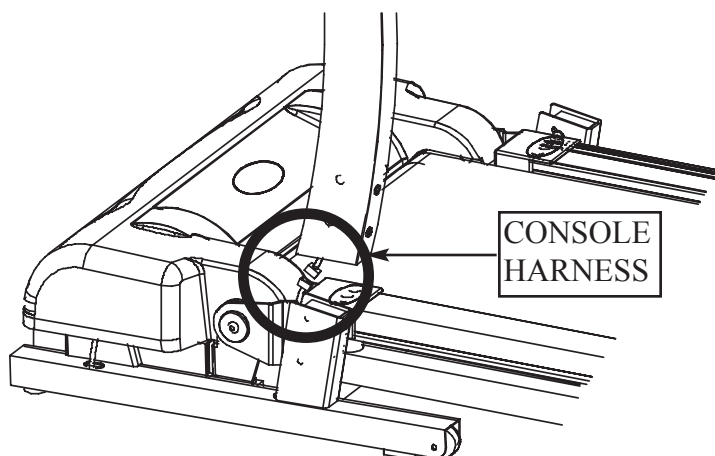


Figure 2: Console Harness Location

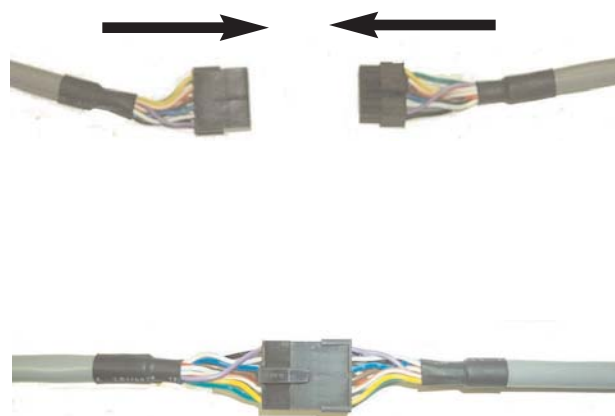


Figure 3: Console Harness Connection

Assembly

3. Install Left Upright and Right Upright to treadmill base frame. Refer to Figure 4.

Note: Make sure that the Wire Harness is not pinched.

Do not install hardware until instructed.

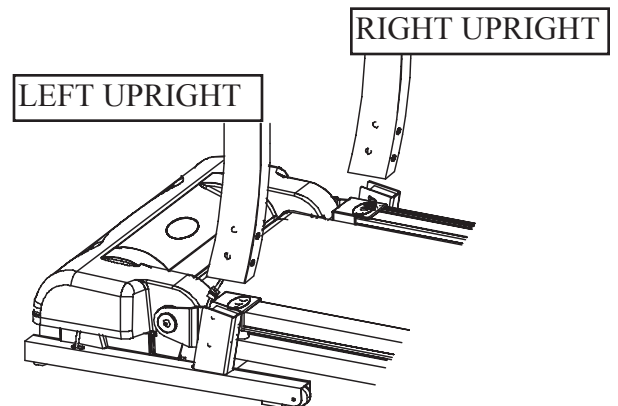


Figure 4: Left and Right Upright Installation

4. Install the Upright Crossbar Assembly to Left and Right Uprights as shown in Figure 5.

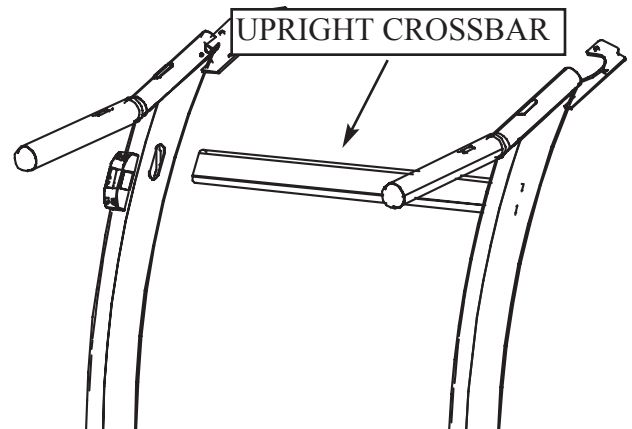


Figure 5: Upright Crossbar Assembly

5. Attach Left Upright and Right Upright to base frame using Allen Bolts M8*15 (Qty. 12) and Washer 9*22*1.6 mm (Qty.12). Refer to Figure 6.

Note: Lift deck to upright position to install the Allen Bolts (Qty. 4) on the inside location of Left and Right Uprights.

6. Attach Upright Crossbar to Left and Right Uprights using Allen Bolts M8*15 (Qty. 4) and Washer 9*22*1.6 mm (Qty.4). Refer to Figure 6.

7. Make sure the wire harness is not pinched and **hand tighten all bolts**. Wait to tighten all bolts firmly until unit is fully assembled.

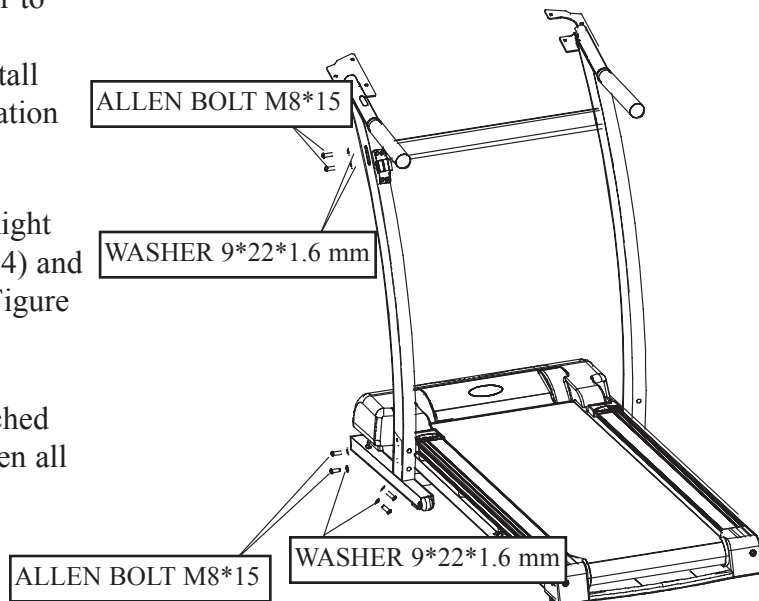


Figure 6: Hardware Installation

Assembly

8. Connect the Console Harness and Remote Speed Harness together as shown in Figure 7. Connectors snap together as shown in Figure 8.

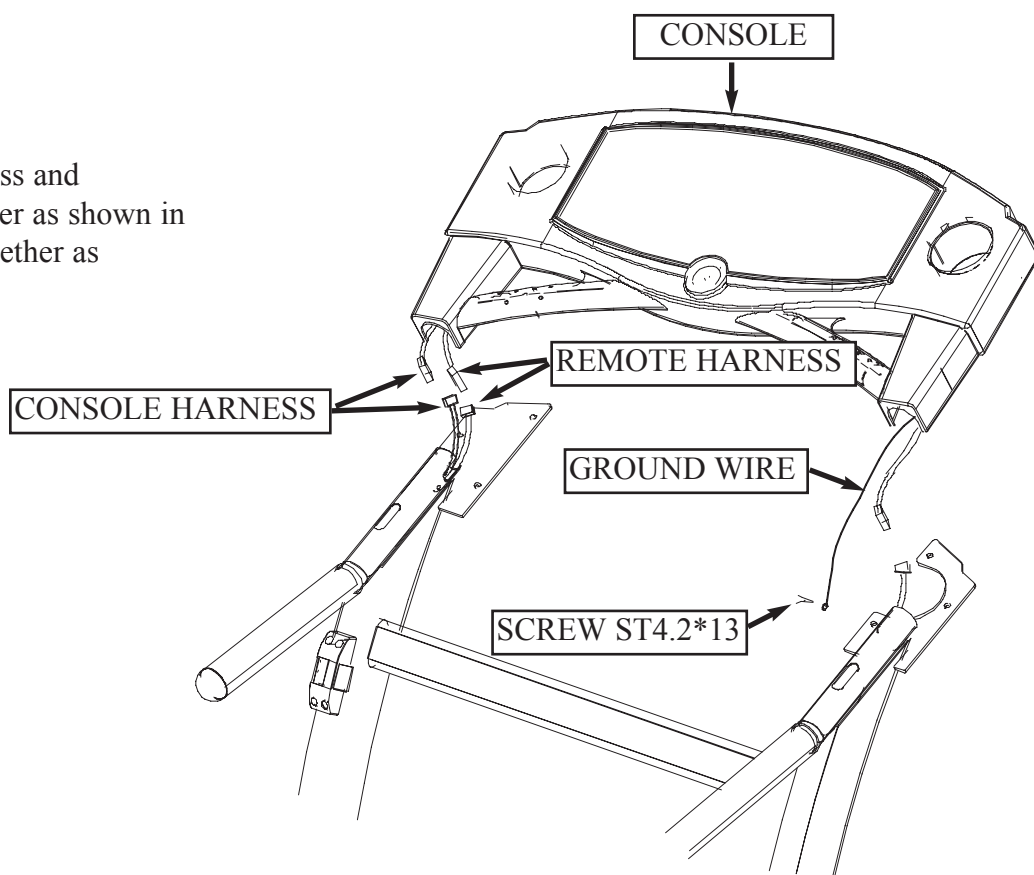


Figure 7: Console Wire Connections

9. Connect Ground Wire to grounding screw located on the side of the Upright Assembly using Screw ST4.2*13 (Qty. 1) as shown in Figure 7.

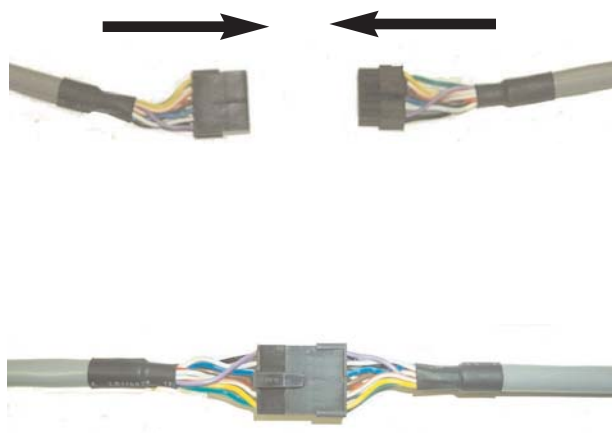


Figure 8: Console Harness Connection

Assembly

10. Make sure all wires and harnesses are inside console housing and attach the console back cover to the Left and Right Upright mounting brackets using Screws ST4.2*16 (Qty. 6) as shown in Figure 9.

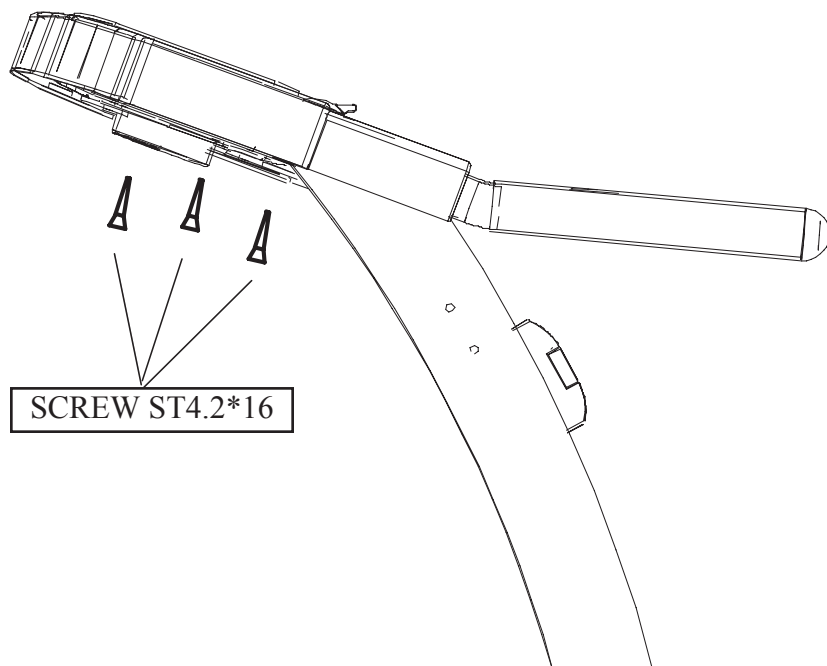


Figure 9: Console Back Cover Installation

11. Tighten all hardware (previously installed) and insert Power Cable into AC connection on rear of unit. Refer to Figure 10.

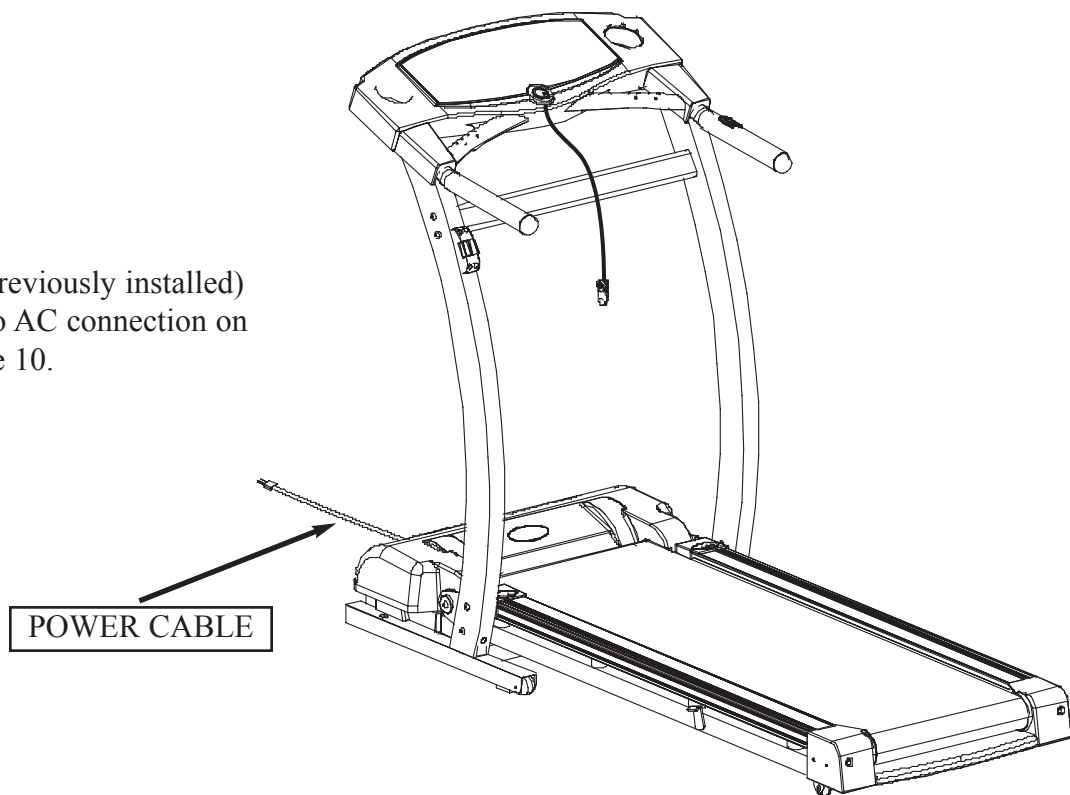


Figure 10: Power Cable Connection

Warm Up Exercises

EXERCISE GUIDELINES

WARNING! Before beginning this or any exercise program, you should consult your physician. This is especially important for individuals over the age of 35 or individuals with pre-existing health problems.

Warming up prepares the body for the exercise by increasing circulation, supplying more oxygen to the muscles and raising body temperature. Begin each workout with 5 to 10 minutes of stretching and light exercise to warm up. The photos on this page show several forms of basic stretching you may perform before your workouts. In order to achieve an adequate warm-up, perform each stretch three times.

TOE TOUCH STRETCH

Stand bending your knees slightly and slowly bend forward from your hips. Allow your back and shoulders to relax as you reach down toward your toes as far as possible. Hold for 15 counts, then relax. This will stretch your hamstrings, back of knees, and back.



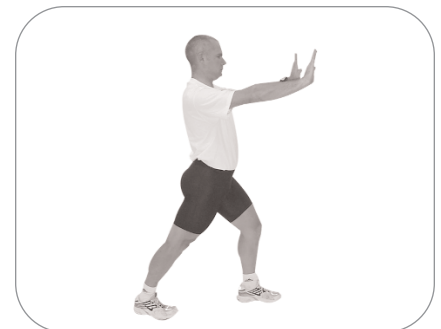
HAMSTRING STRETCH

Sit with one leg extended. Bring the sole of the opposite foot toward you and rest it against the inner thigh of your extended leg. Reach toward your toes as far as possible. Hold for 15 counts, then relax. This will stretch your hamstrings, lower back, and groin.



CALF/ACHILLES STRETCH

With one leg in front of the other, reach forward and place your hands against a wall. Keep your back leg straight and your back foot flat on the floor. Bend your front leg, lean forward and move your hips toward the wall. Hold for 15 counts, then relax. To cause further stretching of the Achilles tendon, bend your back leg as well. This will stretch your calves, Achilles tendons, and ankles.



QUADRICEPS STRETCH

With one hand against a wall for balance, reach back and grasp one foot with your other hand. Bring your heel as close to your buttocks as possible. Hold for 15 counts, then relax. This will stretch your quadriceps and hip muscles.



INNER THIGH STRETCH

Sit with the soles of your feet together and your knees outward. Pull your feet toward your groin area as far as possible. Hold for 15 counts, then relax. This will stretch your quadriceps and hip muscles.

Moving Instructions

CAUTION! TO AVOID THE RISK OF INJURY, NEVER ATTEMPT TO MOVE THE TREADMILL WHILE IT IS IN THE UNFOLDED OPERATING POSITION. TO REDUCE THE POSSIBILITY OF INJURY WHILE LIFTING, BEND YOUR LEGS AND KEEP YOUR BACK STRAIGHT. AS YOU RAISE THE TREADMILL, LIFT USING YOUR LEGS, NOT YOUR BACK. IN ORDER TO RAISE OR LOWER THE TREADMILL SAFELY, YOU MUST BE ABLE TO LIFT 45 POUNDS (20KG). IT IS SUGGESTED YOU ALWAYS USE THE AID OF A SECOND PERSON WHEN MOVING THE TREADMILL.

With the treadmill in the folded locked position (safety latch is engaged), grasp the handrail and place one foot on the base as shown in the photo below. Next, with a firm grasp on handrail, place one foot on the center of the base crossbar and carefully tilt the treadmill back until it rolls freely on the wheels. Using extreme caution, move the treadmill to the desired location. To set the treadmill down, place one foot on the center of the base crossbar and carefully lower treadmill onto base in resting position. Do not attempt to move the treadmill over an uneven or rough surface.



Power Requirements

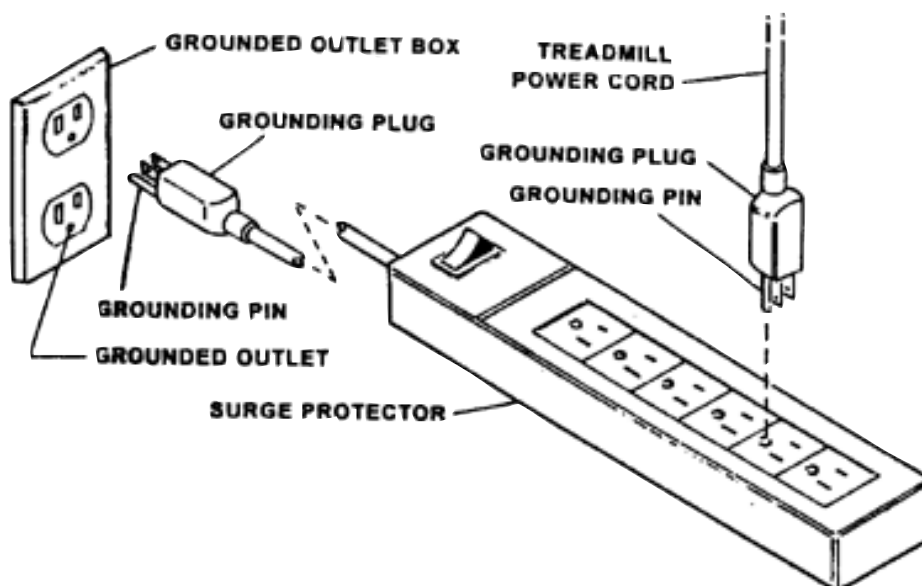
IMPROPER CONNECTION OF THE EQUIPMENT GROUNDING CONNECTOR CAN RESULT IN A RISK OF AN ELECTRIC SHOCK. CHECK WITH A QUALIFIED ELECTRICIAN OR SERVICE MAN IF YOU ARE IN DOUBT AS TO WHETHER THE PRODUCT IS PROPERLY GROUNDED. DO NOT MODIFY THE PLUG PROVIDED WITH THE PRODUCT IF IT WILL NOT FIT THE OUTLET HAVE A PROPER OUTLET INSTALLED BY A QUALIFIED ELECTRICIAN.

This treadmill can be seriously damaged by sudden voltage changes in your home's electrical power. Voltage spikes, surges, and noise interference can result from weather conditions or from other appliances being turned on or off. To reduce the possibility of treadmill damage, always use a surge protector (not included) with your treadmill.

Surge protectors can be purchased at most hardware stores. The manufacturer recommends a single outlet surge protector with UL 1449 rating as a Transient Voltage Surge Suppressor (TVSS) with UL suppressed voltage rating of 400V or less and an electrical rating of 120VAC, 15 amps.

This treadmill must be grounded to reduce the risk of electrical shock. Grounding provides a path of least resistance for electric current should the treadmill malfunction. This treadmill comes with an electrical cord with an equipment-grounding conductor and a grounding plug. Always plug the power cord into a surge protector, and plug the surge protector into an appropriate outlet that is properly installed and grounded in accordance with all local codes and ordinances.

This product is for use on a nominal 120-volt circuit and has a grounding plug that looks like the plug illustrated in the drawing below.



Console Panel Functions

There are four display windows on the control panel to provide feedback information.

TIME WINDOW

TIME: Indicates elapsed time after pressing start in minutes and seconds (0-99 minutes, 0-59 seconds)

INTERVAL TIME: Indicates countdown in seconds to the next interval starting at 5 seconds and counting to 0 seconds

SPEED WINDOW

SPEED: Indicates MPH (miles per hour) or KPH (kilometer per hour) in .1 increments

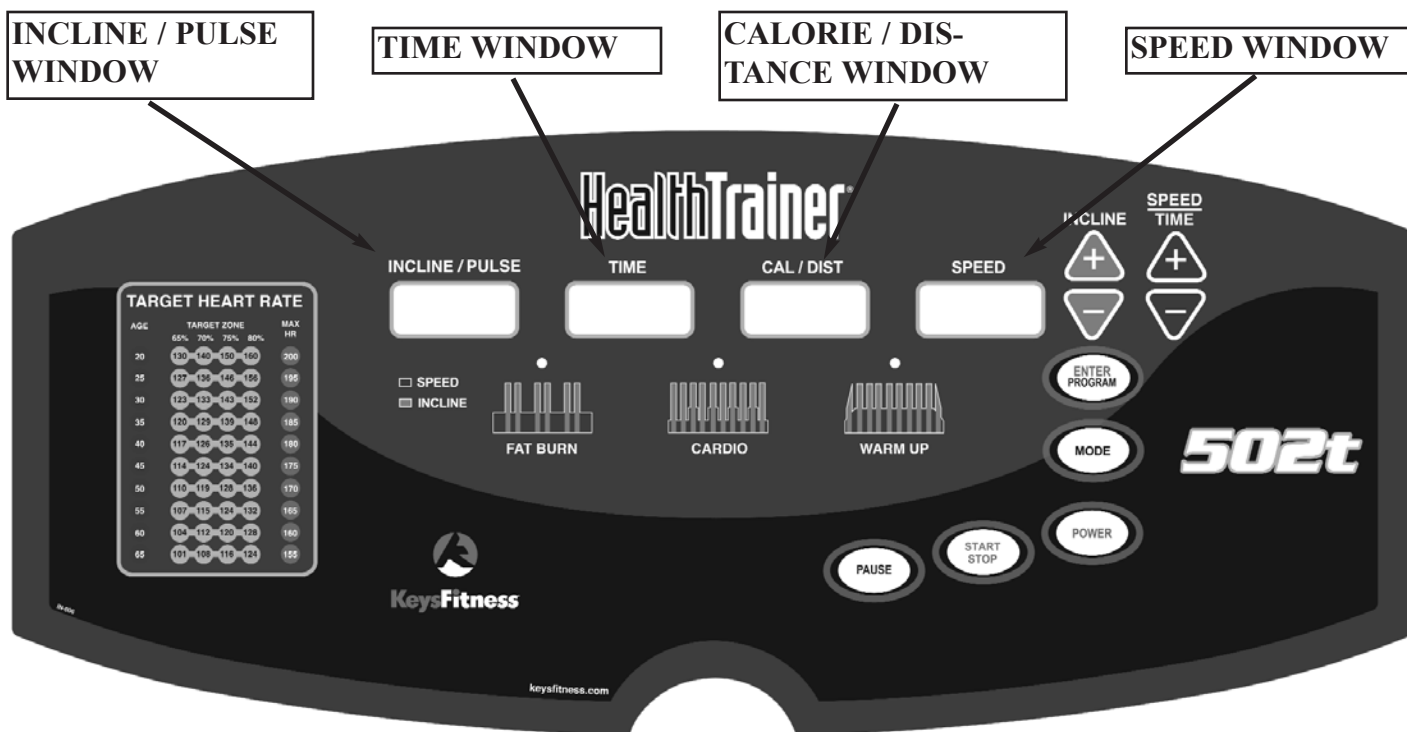
DISTANCE / CALORIES WINDOW

DISTANCE: Indicates Miles or Kilometers traveled in .01 increments up to 9.99 and .1 increments starting at 10.0

CALORIES: Indicates estimated calories used based on 150 lb. person at the indicated speed, incline, and time

INCLINE WINDOW

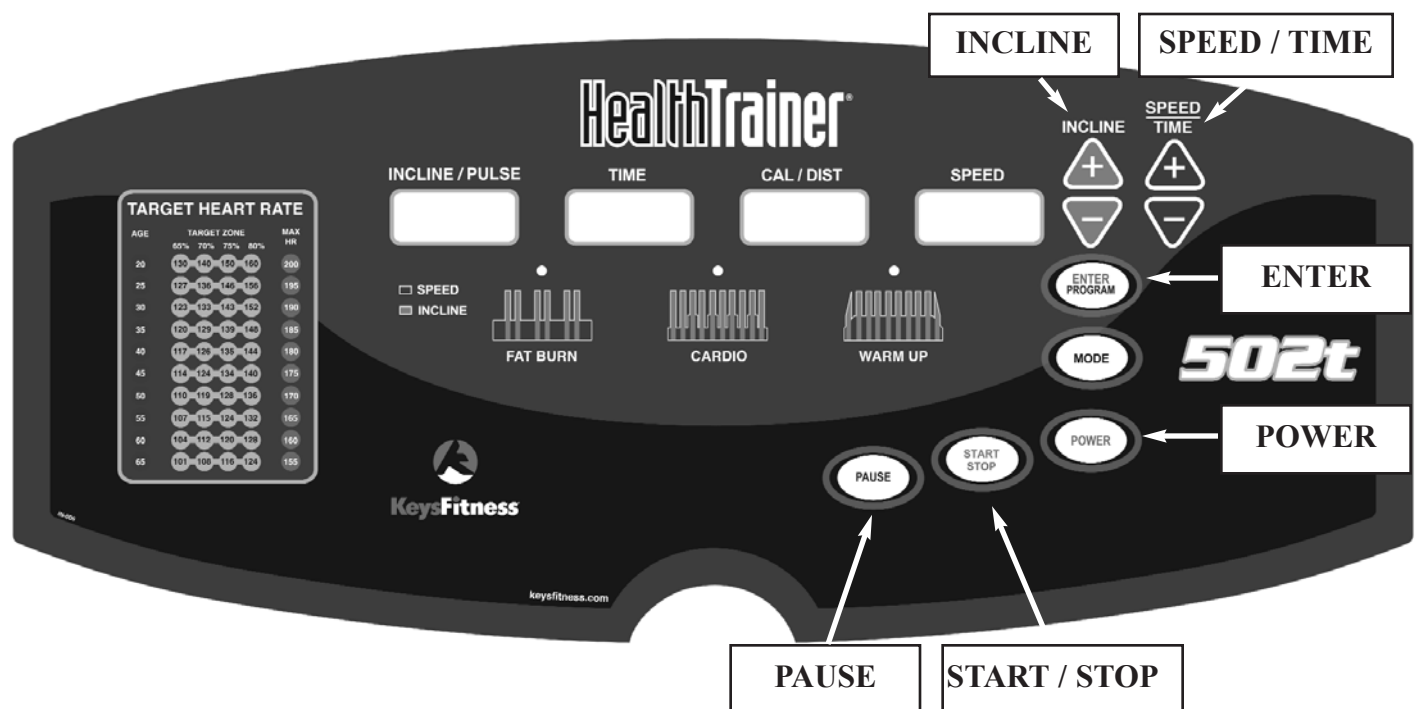
INCLINE: Indicates incline in percent of grade 0-12% in 0.5 increments



Program and Operation

QUICK START / MANUAL MODE

1. Plug into a surge protector outlet. Attach the **Red Safety Key** on to the treadmill console.
2. Stand on the treadmill and straddle belt. Attach safety key clip to your clothes.
3. Press POWER button. There will be an eight (8) second delay after pressing the POWER button before data can be entered. The TIME window will flash.
4. Press START/STOP button. Belt will begin to move after 4 seconds. Step on belt slowly after the belt starts moving. Speed or incline may be adjusted by using the appropriate + (increase) or – (decrease) button.
5. To end your workout, press START/STOP button. Belt will gradually slow to zero.
6. To pause your workout, press PAUSE.
7. To re-start after pausing: Press the PAUSE button. **WARNING: THE TREADMILL BELT WILL RESUME AT THE SPEED THE TREADMILL WAS MOVING BEFORE PAUSING.**
8. Countdown Time, Preset Speed and/or Incline: Time, Speed, and Incline may be preset prior to getting started. After pressing the POWER button, the time window will blink. Use the SPEED + or – arrows to select your workout time, then press the ENTER PROGRAM button. The SPEED window will now be flashing. Using the same + or – arrows, select the speed for your workout, then press ENTER PROGRAM. Now the INCLINE window will be flashing. Use the INCLINE + or – arrows to set your workout incline, then press ENTER PROGRAM. To start, press the START/STOP button.



Program and Operation

PROGRAM MODE

Plug treadmill into a surge protector outlet. Attach the Safety Key on to the treadmill console.

1. Stand on the treadmill and straddle belt. Attach safety key clip to your clothes.
2. Press POWER button. There will be an eight (8) second delay before data can be entered. The TIME window will flash.
3. There are three (3) pre-set and six (6) custom pre-set programs on the HT502t. The treadmill includes FAT BURN, CARDIO, and WARM-UP programs. To Select the program press the MODE button until desired program is illuminated on console display.
4. Press START/STOP button. Belt will begin to move after 4 seconds. Step on belt slowly after the belt starts moving.

CUSTOMIZING PROGRAMS in P1 and P2 Mode:

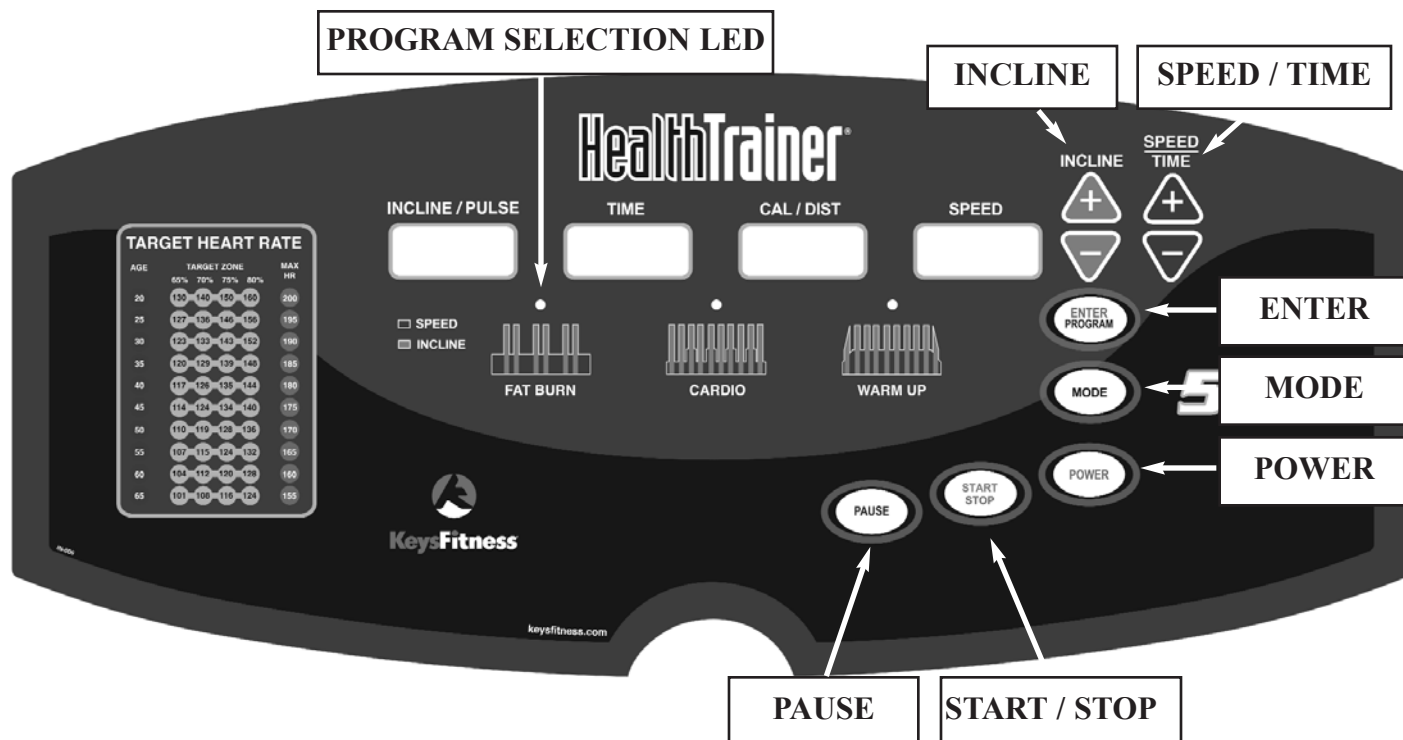
Each pre-set program (Fat Burn, Cardio, and Warm-up) can be customized in the P1 or P2 mode. After making the program selection, the CAL/DIST window will read "OP". The "OP" refers to "original program" and is preset. The program name you select will illuminate on the console display. Press the MODE button once more and the CAL/DIST window will read P1. The "P1" mode is now accessed. You can now program the Time, Speed, and Incline in P1 mode, which will be saved for future workouts.

- 1) The TIME window will blink. Use the SPEED + or - arrows to select your workout time. Press ENTER PROGRAM.
- 2) The SPEED window will then blink. Use the same + or - arrows to select the speed for your workout. Press ENTER PROGRAM.
- 3) The INCLINE window will then blink. Use the INCLINE + or - arrows to set your workout incline. Press ENTER PROGRAM.

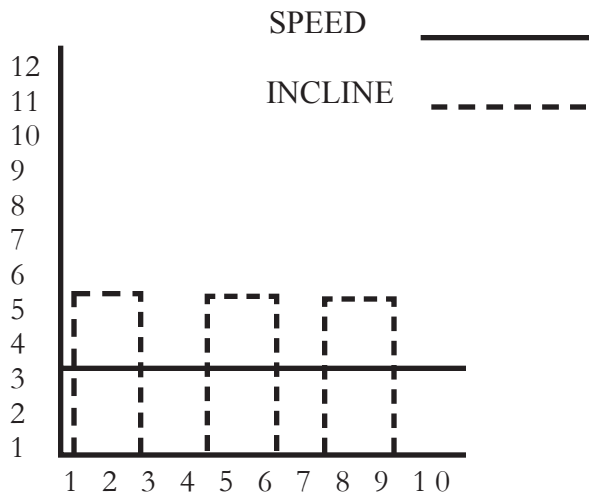
To start, press the START/STOP button. To access P2 mode, press the MODE button for desired program, then press the MODE button again (once for OP, twice for P1, three times for P2). Follow the above steps 1-3 to customize P2 settings.

TO CHANGE A PREVIOUSLY PROGRAMMED P1, P2, or user program:

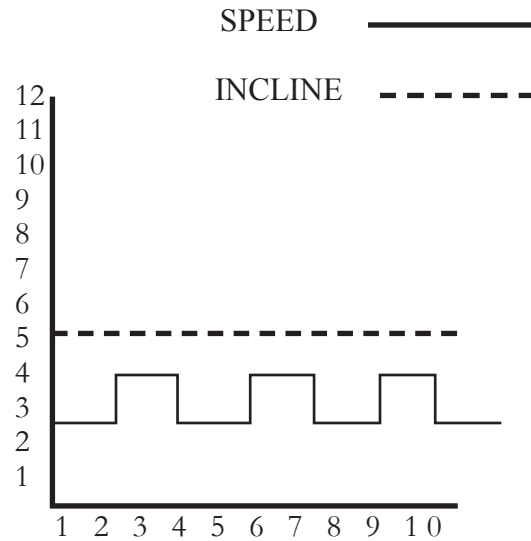
Once you have programmed the P1 or P2 modes, you will need to use the PAUSE button to change the program you previously entered. For instance to change to a new setting in P1-FAT BURN, press the FAT BURN button twice to access P1. Then press the PAUSE button to get the WORKOUT TIME window to flash. Follow the directions above to continue to change the program.



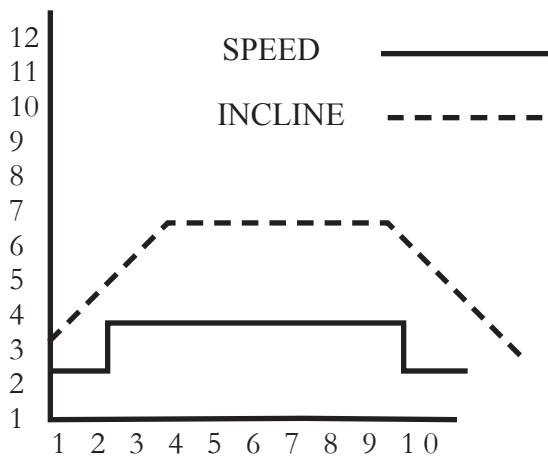
Program Profiles



The **Fat Burn Program** is designed to vary the treadmill elevation, while maintaining a constant walking belt speed.



The **Cardio Program** is designed to vary the treadmill Speed, while maintaining a constant Elevation.



The **Warm Up Program** is designed to gradually increase the treadmill Speed and Elevation in the first segment (warm up) and gradually decrease the treadmill Speed and Elevation in the last segment (cool down). This is also known as a Plateau program.

Belt Adjustment

WARNING! Do not over-tighten rollers! This will cause premature roller bearing failure!

Belt adjustment and tension performs two functions: adjustment for tension and centering. Your new treadmill comes pre-adjusted from the factory for tension and centering. Please follow the procedures below if the belt shifts to the left or right while walking:

WALKING BELT IS SHIFTING TO THE LEFT (Diagram 1)

First, turn treadmill on to run at 1 mph. Using the hex key provided, turn the left rear roller adjustment bolt $\frac{1}{4}$ turn in the clockwise direction. Next, run the treadmill at 2.5 mph. You should see the belt start to correct itself by moving back towards the center. Repeat the above procedure until the walking belt is centered. It may be necessary to set walking belt tension once you have completed this procedure if the belt feels like it is slipping while walking. Refer below to the “Walking Belt Slipping” instructions.



Diagram 1

WALKING BELT IS SHIFTING TO THE RIGHT (Diagram 2)

First, turn the treadmill on to run at 1 mph. Using the hex key provided, turn the right rear roller adjustment bolt $\frac{1}{4}$ turn in the clockwise direction. Next, run the treadmill at 2.5 mph. You should see the belt start to correct itself, moving back towards the center. Repeat the above procedure until the walking belt is centered. It may be necessary to set walking belt tension once you have completed this procedure if the belt feels like it is slipping while walking. Refer below to the “Walking Belt Slipping” instructions.



Diagram 2

WALKING BELT IS SLIPPING DURING USE (Diagram 3)

First, unplug the power cord from the surge protector. Using the hex key provided, turn both left and right rear roller adjustment bolts the same distance, usually a $\frac{1}{4}$ turn in the clockwise direction. Plug the power cord back into the surge protector and run the treadmill at 2.5 mph. You should now walk on the belt to determine if the belt is still slipping. Repeat the above procedure until the walking belt is not slipping. The tension should be just tight enough not to slip.



Diagram 3

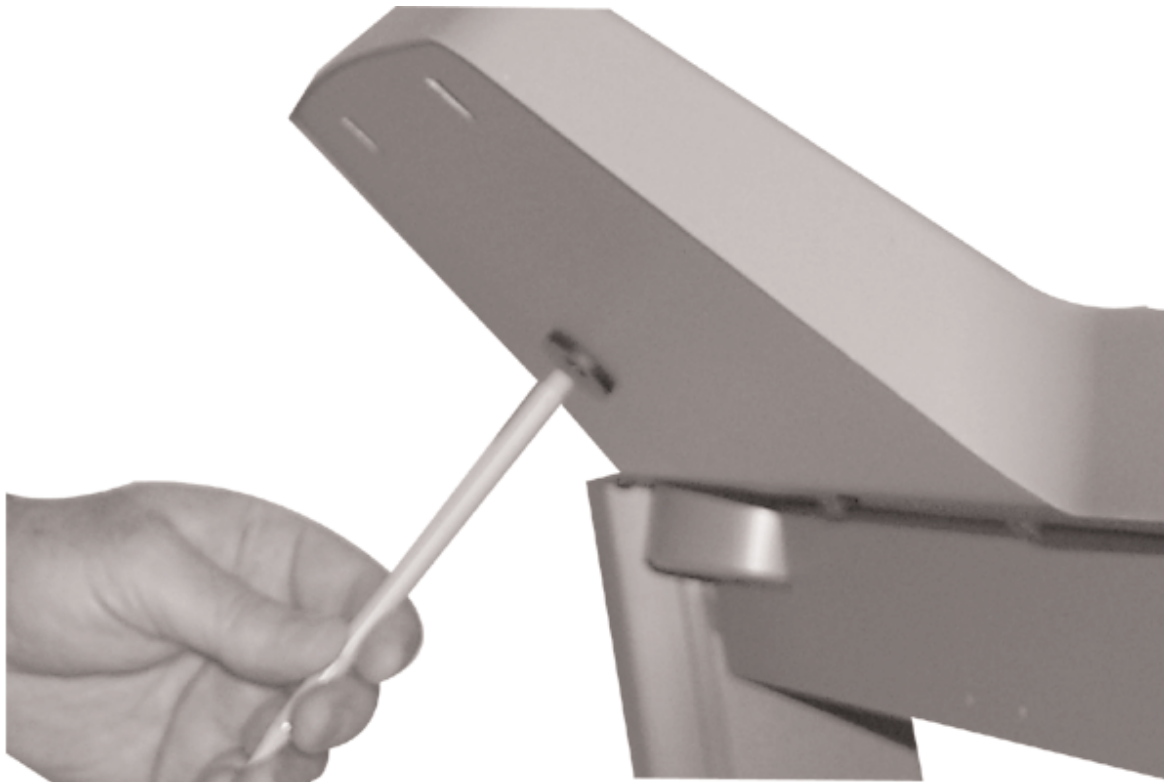
Note: Turning the hex key counter clockwise brings the rear rollers and belt towards you.

Turning the hex key clockwise pushes the rear roller and belt away from you.

Change Miles per hour to Kilometers per hour

Your treadmill will operate in British Units (miles per hour) or International Units (kilometers per hour). All treadmills are calibrated at the factory for British Units (miles per hour). To change the display to read in kilometers, follow the steps described here:

- 1) Turn power OFF on the console. (Do not unplug treadmill) Attach the magnet safety key to the console.
- 2) Activate the calibration mode switch by inserting the eraser end of a pencil into the opening in the backside of the console (see diagram below).
- 3) Depressing the calibration mode switch ONCE; CL11 should appear in the TIME window.
- 4) Pressing the SPEED +/- button will activate your choice.
- 5) To accept the setting, press the POWER button.



Maintenance Instructions

WARNING! Before performing any maintenance to your treadmill, always unplug the power cord from the surge protector.

CLEANING

Routine cleaning of your HT502t Fitness treadmill will extend the life of your treadmill. **WARNING!** To prevent electrical shock, be sure the power to the treadmill is OFF and the unit unplugged from the wall electrical outlet before attempting any cleaning or maintenance.

AFTER EACH WORKOUT: Wipe off the console and other treadmill surfaces with a clean, water dampened soft cloth to remove excess perspiration. **USE NO CHEMICALS.**

WEEKLY: Use of a treadmill mat is recommended for ease of cleaning. Dirt from your shoes contacts the belt and eventually makes it to underneath the treadmill. Vacuum underneath treadmill once a week.

DECK LUBRICATION

The walking belt has been pre-lubricated at the factory. However, it is recommended that the walking board be checked periodically for lubrication to ensure optimal treadmill performance.

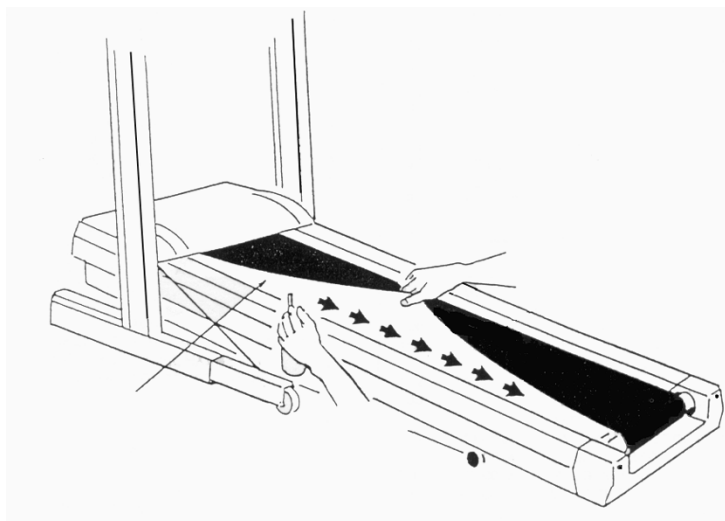
Every 30 days or 30 hours of operation, lift the sides of the walking belt and feel the top surface of the walking board as far under as you can reach. If you feel signs of silicone, no further lubrication is required. If it feels dry to the touch, follow the instructions below.

Keys Fitness recommends “Lube N Walk” for cleaning and lubricating the treadmill belt and deck. Ask your retailer or call Keys Fitness at 888-340-0482. You may also use silicone such as “Napa 8300” (available at most NAPA Auto Parts stores).

TO APPLY LUBRICANT TO THE WALKING BOARD

- 1) Position the walking belt so that the seam is located on top and in the center of the center of the walking board.
- 2) Insert the spray nozzle into the spray head of the lubricant can.
- 3) While lifting the side of the walking belt, position the spray nozzle between the walking belt and the board approximately 6” from the front of the treadmill. Apply the silicone spray to the walking board, moving from the front of the treadmill to the rear. Repeat this on the other side of the belt. Spray approximately 4 seconds on each side.
- 4) Allow the silicone to ‘set’ for one minute before using the treadmill.

WARNING: Do not over-lubricate the walking board. Excess lubricant should be wiped off with a clean towel.



Troubleshooting Guide

Treadmill will not start.

1. Is the **Safety Key** inserted into the treadmill Console?
2. Make sure the power cord is plugged into a surge protector, the surge protector is plugged into a properly grounded outlet, and the surge protector is turned on. (Refer to “Power Requirements” on page 12).
3. Check the circuit breaker located on the front of the treadmill. If the switch protrudes, it has tripped. Wait five minutes and then press the switch back in.
4. Check the house electrical breaker box and the circuit breaker for the room where the treadmill is located. If it has tripped, reset or have an electrician replace the breaker in home.
5. Have an electrician check for inadequate voltage at the outlet.

Treadmill loses power during use.

1. Check the circuit breaker located on the front of the treadmill. If the switch protrudes, it has tripped. Wait five minutes and then press the switch back in.
2. Check the house electrical breaker box and the circuit breaker for the room where the treadmill is located. If it has tripped, reset or have an electrician replace the breaker in home.
3. If the treadmill still will not operate, please call Keys Customer Service at (888) 340-0482.

Treadmill walking belt slows during use.

1. Check to make sure the treadmill is securely plugged into an UL-listed surge protector, rated at 15 amps, with a 14-gauge cord of five feet or less and the surge protector is securely plugged into the outlet.
2. If treadmill still will not operate, please call Keys Customer Service at (888) 340-0482.

Treadmill walking belt slips or is not centered on rear roller.

1. Refer to “Belt Adjustment and Tension” section on page 17.
2. Need help? Call Keys Customer Service at (888) 340-0482.

Treadmill Error Messages.

Your treadmill is equipped with a software package that enables error messages to be displayed when there is a problem.

To avoid possible damage to the treadmill and the possibility of injury, do not operate the treadmill until the problem is corrected. Call Keys Customer Service at (888) 340-0482. Or, see “Error Messages” on page 21 of this Owners Manual.

Error Messages

Treadmill Error Messages.

Your treadmill is equipped with a software package that enables error messages to be displayed when there is a problem. The following error codes will be displayed in the console display windows.

Safety Interlock Error Messages

SI 1 - Safety key missing, replace and try again.

SI 2 - Over voltage protection trip. Notify Keys Fitness Customer Service.

Other Error Messages

E11 - Lack of speed feedback data from belt motor. Attempt calibration. See Calibration Sequence section on page 22 of this Owners Manual for detailed information.

E22 - Under Speed condition detected from the belt motor. Attempt calibration. See Calibration Sequence section for detailed information.

E33 - Over Speed condition detected from the belt motor. Attempt calibration. See Calibration Sequence section for detailed information.

To avoid possible damage to the treadmill and the possibility of injury, do not operate the treadmill until the problem is corrected. Call Keys Customer Service at (888) 340-0482.

Calibration Sequence

Do not attempt to calibrate the treadmill unless an Error Code is present. See Error Messages (page 21). Our treadmill is equipped with a software package that will perform a calibration sequence unique to your specific model number.

Please perform the following steps to calibrate the **HEALTH TRAINER 502t TREADMILL**.

1. Unplug power cord from outlet strip.
 2. Attach Safety Key to console.
 3. Plug power cord into outlet strip.
 4. Initiate calibration sequence. Locate hole on the back of the console and insert the eraser end of a pencil through the hole and press the calibration switch **twice**. As show on page 18.
 5. **CL21** should appear in the Time window, if not, continue to press the calibration switch until CL21 appears.
- Note:** During the calibration sequence, the Time window will display which step you are at in the process (C21, C22, C23 and so on). The CAL/DIST window will display which key should be entered next. For example, “E” for Enter, “P” for Power, or “SS” for Start / Stop.
6. **CL21:** MPH or KPH will be flashing in the Speed window, pressing the Speed +/- button will toggle options. Choose **MPH** (KPH), press Enter.
 7. **CL22:** 8, 10, or 12 (13, 16, or 20 in KPH mode) will be displayed in the Speed window, pressing the Speed +/- button will toggle options. Choose **10** (or 16 for KPH mode), press Enter.
 8. **CL23:** FFF, UUU, or HHH will be displayed in the Speed window, pressing the Speed +/- button will toggle options. Choose **UUU**, press Enter.
 9. **CL24:** 111 or 222 will be displayed in the Speed window, pressing the Speed +/- button will toggle options. Choose **222**, press Enter.
 10. **CL25:** AL1 or AL2 will be displayed in the Speed window, pressing the Speed +/- button will toggle options. Choose **AL2**, press Enter.
 11. **CL26:** OPA or OPI will be displayed in the Speed window, pressing the Speed +/- button will toggle options. Choose **OPA**, press Enter.
 12. **CL27:** Blank (nothing), “a”, “b”, “c”, or “d” will be displayed in the Incline window, pressing the Speed +/- button will toggle options. Choose **Blank**, press Enter.
 13. CAL/DIST window will display “E”, Press Enter. “55” will display in CAL/DIST window.
 14. Press Start/ Stop.
 15. At this time, make sure you are not standing on the walking belt, as the machine will automatically initiate belt movement and run through a complete calibration and diagnostic routine.
Press **Enter**, belt will begin to move, unit will begin self-calibration.
 16. When Speed and Incline calibration has finished, press Power button **twice**, display should blank, and treadmill should be ready for use.

To avoid possible damage to the treadmill and the possibility of injury, do not operate the treadmill until the problem is corrected. Call Keys Customer Service at (888) 340-0482.

Parts List

HEALTHTRAINER 502t PARTS LIST			
REF#	KEYS PART#	DESCRIPTION	QTY.
1	423-00001	UPRIGHT CROSSBAR	1
2	423-00002	LEFT UPRIGHT	1
3	423-00003	RIGHT UPRIGHT	1
4	423-00004	BASE TUBE	1
5	423-00005	DECK FRAME	1
6	423-00006	MOTOR FRAME	1
7	404-00001	WALK BELT 430*2700*1.6	1
8	403-00001	WALK BOARD 1162*610*18	1
9	404-00002	POLY V-BELT 200J8(508J8)	1
10	406-00020	MOTOR COVER 720*350*115	1
11	406-00001	END CAP 616*130*2.5	1
12	409-00002	FRONT ROLLER	1
13	409-00001	REAR ROLLER	1
14	405-00001	SIDE BOARD EXTRUSION 76*36*1085	2
15	410-00001	FOAM GRIP 37*3*295	2
16	410-00002	SQUARE PLUG 40*40 (mm)	2
17	410-00003	PLUG 24 (mm)	1
18	410-00004	PLUG 25*50	2
19	410-00005	DOME PLUG 35*41*34 (mm)	2
20	406-00002	TRANSPORTATION WHEEL 40*13*34 (mm)	2
21	406-00003	UPRIGHT WHEEL SLEEVE 9*13*35 (mm)	2
22	406-00004	INCLINE WHEEL 40*8.1*23 (mm)	2
23	410-00006	BOARD ISOLATOR 35*20 (mm)	8
24	410-00007	BASE FRAME PAD 45*35*8	4
26	406-00005	LEFT BOOT 81*80*39	1
27	406-00006	RIGHT BOOT 81*80*39	1
28	406-00007	PLASTIC SPACER 60*9 (mm)	2
29	408-00001	REMOTE SWITCH HOUSING 56*32.4*3	2
30	410-00008	GAS SPRING QD22-600-80	1
31	406-00008	ADJ FOOT M10*35*40 (mm)	2
32	406-00009	LEFT BUSHING 40*30*28 (mm)	1
33	406-00010	RIGHT BUSHING 34*30*20.5 (mm)	1
34	402-00001	FLANGE 40*8.5*4 (mm)	1
35	410-00009	RUBBER GROMMET (2 HOLES) 30*17*8F7	1
36	410-00010	RUBBER GROMMET (2 HOLES) 30*17*1.5	1
37	410-00011	RUBBER GROMMET (2 HOLES) 38*17*1.5	1
38	402-00002	SPACER 20*10.2*17 (mm)	2
39	411-00001	LATCH	1
40	411-00002	LATCH BRACKET	1
41	408-00002	STATIC CONDUCT	2
42	402-00003	WASHER	2
43	402-00004	SOCKET HEAD BOLT M8*60	1
44	402-00005	SOCKET HEAD BOLT M8*80	2
45	402-00006	CARRIAGE BOLT M8*60	1
46	402-00007	ALLEN BOLT M10*35	2
47	402-00008	HEX BOLT M10*60	1
48	402-00009	HEX BOLT M10*45	1
49	402-00010	ALLEN BOLT M8*50	2
50	402-00011	ALLEN BOLT M8*15	17

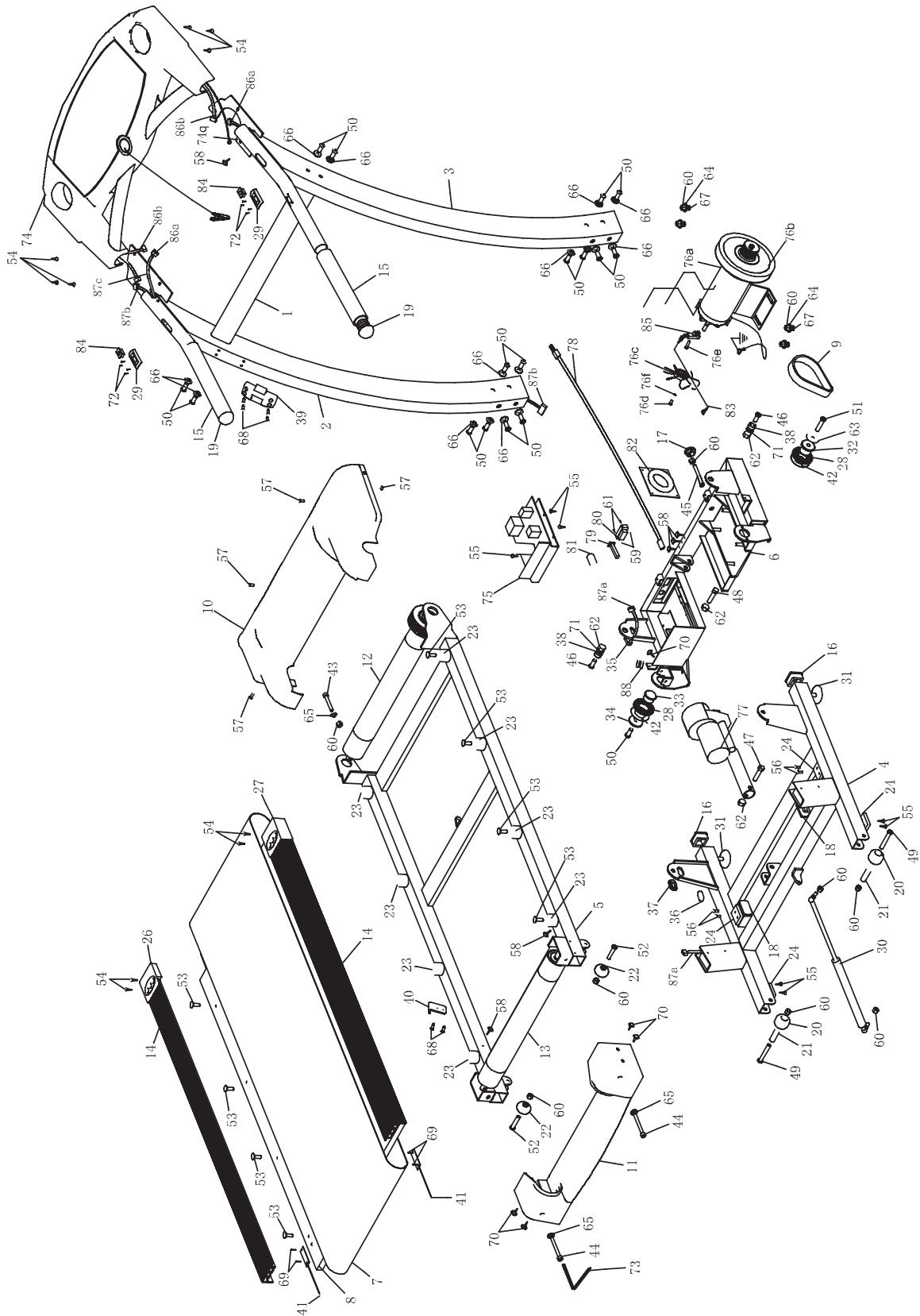
Parts List

HEALTHTRAINER 502t PARTS LIST			
REF#	KEYS PART#	DESCRIPTION	QTY.
51	402-00012	ALLEN BOLT M8*40	1
52	402-00013	ALLEN BOLT M8*40	2
53	402-00014	SCREW M6*25	8
54	402-00015	PHILIP SCREW ST4.2*16	10
55	402-00016	PHILIP SCREW ST4.2*13	7
56	402-00017	PHILIP SCREW M4*8	4
57	402-00018	PHILIP SCREW M6*12	4
58	402-00019	PHILIP SCREW ST4.2*13	6
59	402-00020	HEXAGRAM NUT M3	2
60	402-00021	NYLON LOCK NUT M8	12
61	402-00022	SCREW M3*10	2
62	402-00023	NYLON LOCK NUT M10	4
63	402-00024	WASHER 9*38*2 (mm)	1
64	402-00025	WASHER 9*22*2 (mm)	4
65	402-00026	WASHER 9*16*1.6 (mm)	3
66	402-00027	WASHER 9*22*1.6 (mm)	16
67	402-00028	SPRING WASHER 8 (mm)	4
68	402-00029	COUNTERSUNK SCREW ST4.8*16	6
69	402-00030	SCREW D=1.2 L=16	4
70	402-00031	PHILIP SCREW ST4.2*13	5
71	402-00032	WASHER 15.2*20*1 (mm)	2
72	402-00033	SCREW ST2.9*13	8
73	402-00034	ALLEN WRENCH 110*75*6	1
74	424-00002	CONSOLE ASSEMBLY(4LCD)	1
74a	406-00011	CONSOLE COVER	1
74b	406-00012	LEFT HEART PULSE BRACKET	1
74c	406-00013	RIGHT HEART PULSE BRACKET	1
74d	406-00014	PCB BRACKET	1
74e	406-00015	BRACKET FOR SAFETY KEY	1
74f	419-00001	POST FOR SAFETY KEY	1
74g	419-00002	HANDLE PULSE SENSOR	4
74h	406-00016	CUP BRACKET	1
74i	406-00017	CONSOLE BOTTOM COVER	1
74j	402-00035	SCREW ST2.9*6.5	8
74k	402-00036	SCREW ST4.2*13	14
74l	402-00037	SCREW ST2.9*9.5	2
74m	402-00038	SCREW ST2.9*13	4
74n	402-00039	SCREW M3*10	1
74o	402-00040	HEXAGRAM NUT M3	1
74p	402-00041	WASHER D=2	2
74q	407-00002	HAND PULSE MODULE	1
74r	413-00001	TEL-LINE	1
74s	406-00018	SUPPORT PLASTIC CLIP)	4
74t	413-00002	REED SWITCH	1
74u	414-00001	OVERLAY	1
74v	407-00003	PCB	1
74w	408-00003	MEMBRANE POWER 4-LCD	1
74x	413-00003	PULSE HARNESS	2
74y	402-00042	SAFETY KEY	1

Parts List

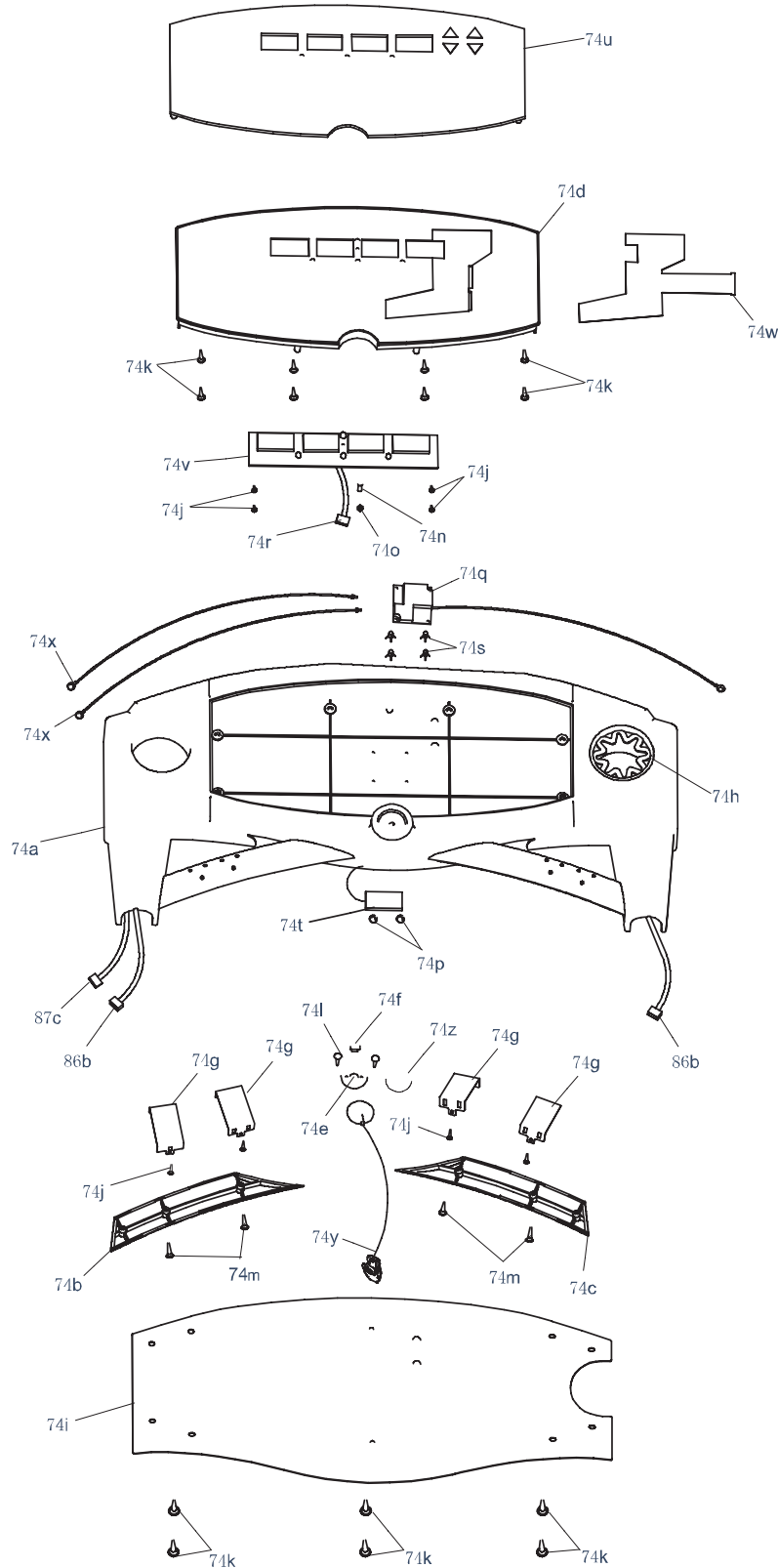
HEALTHTRAINER 502t PARTS LIST			
REF#	KEYS PART#	DESCRIPTION	QTY.
74z	414-00002	SAFETY KEY DECAL	1
75	407-00001	MOTOR CONTROLLER 110V	1
76	424-00001	MOTOR 110V 1.5	1
76a	412-00002	MOTOR	1
76b	411-00003	FLYWHEEL	1
76c	406-00019	FAN	1
76d	402-00043	SCREW	1
76e	402-00044	SCREW	1
76f	402-00045	WASHER	1
77	412-00003	ACTUATOR 110V 1/15	1
78	413-00004	POWER CORD	1
79	408-00004	CIRCUIT BREAKER	1
80	413-00005	POWER RECEPTACLE	1
81	408-00005	FERRITE CORE	1
82	408-00006	CHOKE ONLY FOR 220V	1
83	413-00006	ENCODER HARNESS	1
84	408-00007	TOGGLE SWITCH	2
85	408-00008	SPEED SENSOR	1
86a	413-00007	REMOTE HARNESS (SPEED)	2
86b	413-00008	REMOTE HARNESS (SPEED)	2
87a	413-00009	CONSOLE HARNESS (BOTTOM)	1
87b	413-00010	CONSOLE HARNESS (MIDDLE)	1
87c	413-00011	CONSOLE HARNESS (TOP)	1
88	408-00009	FUSE	2
89	426-00001	PARTS BOX	1
90	415-00001	MANUAL HT502t	1
93	415-00002	DIAGRAM WIRING MOTOR COVER	1
94	414-00003	WARNING LABEL	1
95	414-00004	ATTENTION / CIRCUIT BREAKER DECAL	1
96	414-00005	HEALTH TRAINER MOTOR COVER DECAL	1
98	414-00006	LEFT CUSHION DECAL	1
99	414-00007	FOLD-UP DECAL	1
100	414-00008	INCLINE DECAL	1
101	414-00009	SPEED DECAL	1

Exploded View



Exploded View

CONSOLE ASSEMBLY



Warranty Information

***HT502t Treadmill* designed and distributed by KEYS FITNESS PRODUCTS, LP – LIMITED WARRANTY PLEASE CONSULT YOUR PHYSICIAN BEFORE USING THIS PRODUCT.**

This Limited Warranty applies in the United States and Canada to products manufactured or distributed by Keys Fitness Products, LP (“Keys”) under the kEYS brand name. The warranty period on the HT502t to the original purchaser is (lifetime) on the frame, (10) years on the motor, (1) year parts, and (90) days labor.

Keys warrants that the Product you have purchased for non-commercial, personal, family, or household use from Keys or from an authorized Keys reseller is free from defects in materials or workmanship under normal use during the warranty period. Your sales receipt, showing the date of purchase of the Product, is your proof of the date of purchase. This warranty only extends to you, the original purchaser. It is not transferable to anyone who subsequently purchases the Product from you. It excludes expendable parts. This Limited Warranty becomes VALID ONLY if the treadmill is assembled/installed by a Keys Fitness authorized dealer/technician unless otherwise authorized by Keys Fitness in writing (if anyone other than a Keys Fitness authorized dealer/technician assembles a Keys Fitness treadmill the warranty will be void unless accompanied by written authorization by Keys Fitness).

During the warranty period Keys will at no additional charge, repair or replace (at Keys’ option) the product if it becomes defective, malfunctions, or otherwise fails to conform with this Limited Warranty under normal non-commercial, personal, family or household use. In repairing the Product, Keys may replace defective parts, or at the option of Keys, serviceable used parts that are equivalent to new parts in performance. All exchanged parts and Products replaced under this warranty will become the property of Keys. Keys reserves the right to change manufacturers of any part to cover any existing warranty.

To obtain warranty service, you must contact a Keys authorized service technician or Keys Fitness at our phone numbers located in this manual. Any parts determined to be defective must be returned to Keys to obtain warranty service. You must prepay any shipping charges, export taxes, custom duties and taxes, or any other charges associated with transportation of the parts or Product. In addition, you are responsible for insuring any parts or Product shipped or returned. You assume the risk of loss during shipment. You must present Keys with proof-of-purchase documents (including the date of purchase). Any evidence of alteration, erasing or forgery of proof-of-purchase documents will be cause to void this Limited Warranty.

This warranty does not extend to any product not purchased from Keys or from an authorized Keys reseller. This Limited Warranty does not extend to any Product that has been damaged or rendered defective; (a) as a result of accident, misuse, or abuse; (b) by the use of parts not manufactured or sold by Keys; (c) by modification of the Product or normal wear and tear; (d) operation on incorrect power supplies; or (e) as a result of service by anyone other than Keys, or an authorized Keys warranty service provider. Product on which the serial number has been defaced or removed is not eligible for warranty service. Should any Product be submitted for warranty service be found ineligible therefore, an estimate of repair cost will be furnished and the repair will be made if requested by you upon Keys’ receipt of payment or acceptable arrangements for payment.

EXCEPT AS EXPRESSLY SET FORTH IN THIS WARRANTY, KEYS MAKES NO OTHER WARRANTIES, EXPRESSED OR IMPLIED, INCLUDING ANY IMPLIED WARRANTIES OF MERCHANTABILITY AND FITNESS FOR A PARTICULAR PURPOSE. KEYS EXPRESSLY DISCLAIMS ALL WARRANTIES NOT STATED IN THIS LIMITED WARRANTY. ANY IMPLIED WARRANTIES THAT MAY BE IMPOSED BY LAW ARE LIMITED TO THE TERMS OF THIS LIMITED WARRANTY. NEITHER KEYS NOR ANY OF ITS AFFILIATES SHALL BE RESPONSIBLE FOR INCIDENTAL OR CONSEQUENTIAL DAMAGES. SOME STATES DO NOT ALLOW LIMITATIONS ON HOW LONG AN IMPLIED WARRANTY LASTS OR THE EXCLUSION OR LIMITATION OF INCIDENTAL OR CONSEQUENTIAL DAMAGES, SO THE ABOVE LIMITATIONS OR EXCLUSION MAY NOT APPLY TO YOU.

This Limited Warranty gives you specific legal rights and you may also have other rights that may vary from state to state. This is the only express warranty applicable to Keys-branded products. Keys neither assumes nor authorizes anyone to assume for it any other express warranty.

PLEASE SEND IN THE ATTACHED WARRANTY CARD WITHIN TEN (10) DAYS OF PURCHASE TO REGISTER YOUR TREADMILL WITH KEYS FITNESS PRODUCTS, LP. MADE IN THE USA. Thank you for your business! PLEASE MAIL WARRANTY CARD TO: KEYS FITNESS PRODUCTS, PO BOX 551239, DALLAS, TX 75355, or online at www.keysfitness.com



Customer Service

(888) 340-0482

Keys Fitness Products

4009 Distribution Drive
Suite 250
Garland, TX 75041

www.keysfitness.com

Free Manuals Download Website

<http://myh66.com>

<http://usermanuals.us>

<http://www.somanuals.com>

<http://www.4manuals.cc>

<http://www.manual-lib.com>

<http://www.404manual.com>

<http://www.luxmanual.com>

<http://aubethermostatmanual.com>

Golf course search by state

<http://golfingnear.com>

Email search by domain

<http://emailbydomain.com>

Auto manuals search

<http://auto.somanuals.com>

TV manuals search

<http://tv.somanuals.com>