

KeystoneTM

DOUBLE DOOR COMPACT REFRIGERATOR

User Manual

MODEL:KSTRC312AW

TABLE OF CONTENTS

Important Safety Instructions.....	2
Installation	3
Energy Saving Tips.....	3
Temperature Controls	4
Care and Cleaning	5
Before you Call.....	6
Major Appliance Warranty	8

SERIAL/MODEL #'S - IMPORTANT SAFETY INSTRUCTIONS

Read and Save These Instructions

This Owner's Guide provides specific operating instructions for your model. Use your refrigerator only as instructed in this guide. These instructions are not meant to cover every possible condition and situation that may occur. Common sense and caution must be practiced when installing, operating, and maintaining any appliance.

Record Your Model and Serial Numbers

Record the model and serial numbers in the space provided below. The serial plate is located on the upper left wall inside the refrigerator.

Model Number: _____


Serial Number: _____

Purchase Date: _____

WARNING

Please read all instructions before using this refrigerator.

Definitions

 This is the safety alert symbol. It is used to alert you to potential personal injury hazards. Obey all safety messages that follow this symbol to avoid possible injury or death.

DANGER

DANGER indicates an imminently hazardous situation which, if not avoided, will result in death or serious injury.

WARNING

WARNING indicates a potentially hazardous situation which, if not avoided, could result in death or serious injury.

CAUTION

CAUTION indicates a potentially hazardous situation which, if not avoided, may result in minor or moderate injury.

IMPORTANT

IMPORTANT indicates installation, operation or maintenance information which is important but not hazard-related.

WARNING

For Your Safety

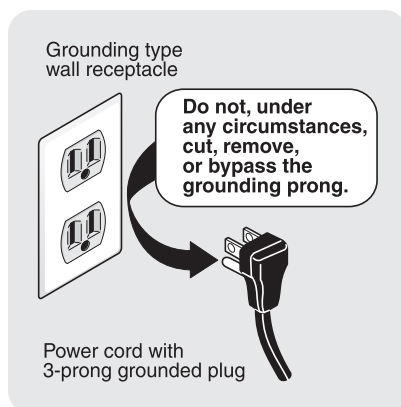
Do not store or use gasoline, or other flammable vapors and liquids in the vicinity of this or any other appliance. Read product labels for flammability and other warnings.

IMPORTANT SAFETY INSTRUCTIONS

WARNING

Electrical Information

- **The refrigerator must be plugged into its own dedicated 115 Volt, 60 Hz., 15 Amp, AC only electrical outlet.** The power cord of the appliance is equipped with a three-prong grounding plug for your protection against electrical shock hazards. It must be plugged directly into a properly grounded three prong receptacle. The receptacle must be installed in accordance with local codes and ordinances. Consult a qualified electrician. Avoid connecting refrigerator to a Ground Fault Interruptor (GFI) circuit. **Do not use an extension cord or adapter plug.**
- If the power cord is damaged, it should be replaced by an authorized service technician to prevent any risk.
- Never unplug the refrigerator by pulling on the power cord. Always grip the plug firmly, and pull straight out from the receptacle to prevent damaging the power cord.
- Unplug the refrigerator before cleaning and before replacing a light bulb to avoid electrical shock.
- Performance may be affected if the voltage varies by 10% or more. Operating the Refrigerator with insufficient power can damage the compressor. Such damage is not covered under your warranty.
- Do not plug the unit into an electrical outlet controlled by a wall switch or pull cord to prevent the Refrigerator from being turned off accidentally.



WARNING

Child Safety

- Destroy carton, plastic bags, and any exterior wrapping material immediately after the Refrigerator is unpacked. Children should never use these items to play. Cartons covered with rugs, bedspreads, plastic sheets or stretch wrap may become airtight chambers, and can quickly cause suffocation.
- Remove all staples from the carton. Staples can cause severe cuts, and destroy finishes if they come in contact with other appliances or furniture.
- An empty, discarded refrigerator is a very dangerous attraction to children.
- Remove the door(s) of any appliance that is not in use, even if it is being discarded.

WARNING

Proper Disposal of your Refrigerator

Risk of child entrapment

Child entrapment and suffocation are not problems of the past. Junked or abandoned refrigerators are still dangerous – even if they will sit for “just a few days”. If you are getting rid of your old refrigerator, please follow the instructions below to help prevent accidents.

We strongly encourage responsible appliance recycling/disposal methods. Check with your utility company or visit www.recyclemyoldfridge.com for more information on recycling your old Refrigerator.

Before you throw away your old refrigerator:

- Remove doors.
- Leave shelves in place so children may not easily climb inside.
- Have refrigerant removed by a qualified service technician.

INSTALLATION

This Use & Care Guide provides general operating instructions for your model. Use the refrigerator only as instructed in this Use & Care Guide. **Before starting the refrigerator, follow these important first steps.**

Location

- Choose a place that is near a grounded electrical outlet. **Do Not** use an extension cord or an adapter plug.
- For the most efficient operation, the refrigerator should be located where surrounding temperatures will not drop below 10° F (-12° C) or exceed 110° F (43° C). The Freeze Control Feature is designed to automatically maintain the selected interior refrigerator temperature within these boundaries.
- Allow space around the unit for good air circulation. Leave a 4 inch (101.6 mm) space on the back and 3 inches (76.2 mm) on the sides and back of the refrigerator for adequate circulation.

NOTE

The exterior walls of the refrigerator may become quite warm as the compressor works to transfer heat from the inside. Temperatures as much as 30° F warmer than room temperature can be expected. For this reason it is particularly important in hotter climates to allow enough space for air circulation around your refrigerator.

Leveling

The refrigerator must have all bottom corners resting firmly on solid floor. The floor must be strong enough to support a fully loaded refrigerator. **NOTE:** It is Very Important for your refrigerator to be level in order to function properly. If the refrigerator is not leveled during installation, the door may be misaligned and not close or seal properly, causing cooling, frost, or moisture problems.

To Level Your Refrigerator:

After removing all interior and exterior packaging materials, use a carpenter's level to level the refrigerator from front to back. Adjust the plastic leveling feet in front, ½ bubble higher, so that the door closes easily when left halfway open.

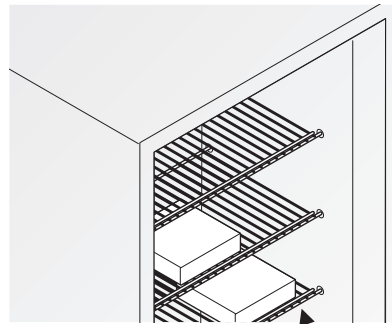
ENERGY SAVING TIPS

Cleaning

- Wash any removable parts of the refrigerator interior, and exterior with mild detergent and warm water. Wipe dry. Do not use harsh cleaners on these surfaces.
- Do not use razor blades or other sharp instruments, which can scratch the appliance surface when removing adhesive labels. Any glue left from the tape can be removed with a mixture of warm water and mild detergent, or touch the residue with the sticky side of tape already removed. Do not remove the serial plate.

CAUTION

To allow door to close and seal properly, **DO NOT** let food packages extend past the front of shelves.



Shelf Front

ENERGY SAVING TIPS

- Install the refrigerator in the coolest part of a dry and ventilated room, out of direct sunlight and away from heating ducts or registers. Do not place the refrigerator next to heat-producing appliances such as a range, oven or dishwasher.
- Level the refrigerator so the door close tightly.
- Do not overcrowd the refrigerator or block cold air vents. Doing so causes the refrigerator to run longer and use more energy. Shelves should not be lined with aluminum foil, wax paper or paper toweling. Liners interfere with cold air circulation, making the Refrigerator less efficient.
- Wipe bottles and containers dry before placing them in the refrigerator. This cuts down on moisture build-up inside the unit.
- Organize the refrigerator to reduce door openings. Remove as many items as needed at one time and close the door as soon as possible.

TEMPERATURE CONTROLS

Cool Down Period

For best performance, allow 4 hours for the refrigerator to cool down completely. The refrigerator will run continuously for the first several hours.

Temperature Control

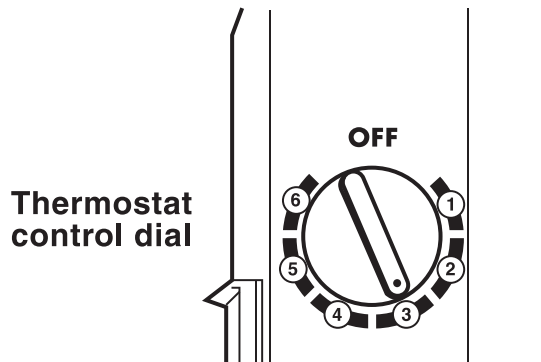
The thermostat for the refrigerator and freezer is located at the upper right hand corner of the refrigerator compartment.

The first time you turn the unit on ,adjust the temperature control knob to 3 and give your refrigerator time to cool down completely before adding food; a full 24 hours is recommended .

After it is fully cooled , test it and adjust towards 1 to make less cool or towards 6 to cool more to best suit your needs .

However ,the setting of 3 should be appropriate for home or office refrigerator use.

Note : Turning the temperature control knob to the OFF position will top the cooling cycle but does not shut off power to the unit.



Adjustable Interior Shelves

Multi-position adjustable interior shelves can be moved to any position for larger or smaller bottles. The shipping spacers that stabilize the shelves for shipping should be removed and discarded.

Slide-Out Crisper (Some Models)

A Slide-Out Basket (some models) located at the bottom of the refrigerator, provides separate storage space for items that are difficult to store on refrigerator shelves. To remove the basket, pull out and lift up.

Automatic Freeze Control (Some Models)

The Freeze Control Feature will maintain proper interior refrigerator temperature even when the refrigerator is placed in an area where the surrounding temperature drops down to 10° F (-12° C).

Interior Light (Some models)

The light comes on automatically when the door is opened. To replace the light bulb, turn the temperature control to OFF and unplug the electrical cord. Replace the old bulb with a bulb of the same wattage.

Defrosting Your Refrigerator

1. To defrost the refrigerator, remove all food and objects from the refrigerator. Ensure the drip pan is in place under the freezer compartment. Unplug the unit and ensure the cord is in safe dry location. The defrost process may take a few hours. To speed up the defrost time, keep the door open and place a bowl of warm water in the refrigerator. Never use sharp objects to remove the frost.
2. During the defrost cycle, water will accumulate in the drip tray. The drip tray may need to be emptied during the defrost cycle. Do not leave unattended.

3. After defrosting is complete, empty and wipe down the drip tray, as well as the interior of the refrigerator. You may now reset the refrigerator to the desired temperature and put the food back in.

Cleaning the Inside

Wash inside surfaces of the refrigerator with a solution of two tablespoons of baking soda in one quart (1.136 litres) warm water. Rinse and dry. Wring excess water out of the sponge or cloth when cleaning in the area of the controls, or any electrical parts.

Wash the removable parts with the baking soda solution mentioned above, or mild detergent and warm water. Rinse and dry. Never use metallic scouring pads, brushes, abrasive cleaners, or alkaline solutions on any surface. Do not wash removable parts in a dishwasher.

Cleaning the Outside

Wash the cabinet with warm water and mild liquid detergent. Rinse well and wipe dry with a clean soft cloth.



WARNING

If leaving the refrigerator door open while on vacation, make certain that children cannot get into the Refrigerator and become entrapped.

Vacation and Moving Tips

Vacations:

If the refrigerator will not be used for several months:

- Remove all food and unplug the power cord.
- Clean and dry the interior thoroughly.
- Leave the refrigerator door open slightly, blocking it open if necessary, to prevent odor and mold growth.

Moving: When moving the refrigerator, follow these guidelines to prevent damage:

- Disconnect the power cord plug from the wall outlet.
- Remove food and clean the refrigerator.
- Secure all loose items by taping them securely in place to prevent damage.
- In a moving vehicle, secure the refrigerator in an upright position to prevent movement. Also, protect the outside of the refrigerator with a blanket or similar item.

PROBLEM	CAUSE	CORRECTION
REFRIGERATOR OPERATION		
Refrigerator does not run.	<ul style="list-style-type: none"> • Refrigerator is plugged into a circuit that has a ground fault interrupt. • Temperature control is in the OFF position. • Refrigerator may not be plugged in, or plug may be loose. • House fuse blown or tripped circuit breaker. • Power outage. 	<ul style="list-style-type: none"> • Use another circuit. If you are unsure about the outlet, have it checked by a certified technician. • See Setting the Temperature Control section. • Ensure plug is tightly pushed into outlet. • Check/replace fuse with a 15 amp time-delay fuse. Reset circuit breaker. • Check house lights. Call local Electric Company.
Refrigerator runs too much or too long.	<ul style="list-style-type: none"> • Room or outside weather is hot. • Refrigerator has recently been disconnected for a period of time. • Large amounts of warm or hot food has been stored recently. • Door is opened too frequently or too long. • Refrigerator door may be slightly open. • Temperature control is set too low. • Refrigerator gasket is dirty, worn, cracked, or poorly fitted. 	<ul style="list-style-type: none"> • It's normal for the Refrigerator to work harder under these conditions. • It takes 4 hours for the Refrigerator to cool down completely. • Warm food will cause Refrigerator to run more until the desired temperature is reached. • Warm air entering the Refrigerator causes it to run more. Open doors less often. • See "DOOR PROBLEMS" section. • Turn control knob to a warmer setting. Allow several hours for the temperature to stabilize. • Clean or change gasket. Leaks in the door seal will cause Refrigerator to run longer in order to maintain desired temperature.
Interior Refrigerator temperature is too cold.	<ul style="list-style-type: none"> • Temperature control is set too low. 	<ul style="list-style-type: none"> • Turn the control to a warmer setting. Allow several hours for the temperature to stabilize.
Interior Refrigerator temperature is too warm.	<ul style="list-style-type: none"> • Temperature control is set too warm. • Door is opened too frequently or too long. • Door may not be seating properly. • Large amounts of warm or hot food has been stored recently. • Refrigerator has recently been disconnected for a period of time. 	<ul style="list-style-type: none"> • Turn control to a colder setting. Allow several hours for the temperature to stabilize. • Warm air entering the Refrigerator causes it to run more. Open doors less often. • See "DOOR PROBLEMS" section. • Warm food will cause Refrigerator to run more until the desired temperature is reached. • It takes 4 hours for the Refrigerator to cool down completely.
Refrigerator external surface temperature is warm.	<ul style="list-style-type: none"> • The external Refrigerator walls can be as much as 30°F warmer than room temperature. 	<ul style="list-style-type: none"> • This is normal while the compressor works to transfer heat from inside the Refrigerator cabinet.
SOUND AND NOISE		
Louder sound levels when Refrigerator is on.	<ul style="list-style-type: none"> • Modern refrigerators have increased storage capacity and more stable temperatures. They require a high efficiency compressor 	<ul style="list-style-type: none"> • This is normal. When the surrounding noise level is low, you might hear the compressor running while it cools the interior.

BEFORE YOU CALL (continued)

PROBLEM	CAUSE	CORRECTION
SOUND AND NOISE (continued)		
Longer sound levels when compressor comes on.	<ul style="list-style-type: none"> Refrigerator operates at higher pressures during the start of the ON cycle. 	<ul style="list-style-type: none"> This is normal. Sound will level off or disappear as Refrigerator continues to run.
Fan runs when room temperature is below 45°.	<ul style="list-style-type: none"> Exterior thermostat has activated the heater or fan. 	<ul style="list-style-type: none"> This is normal.
Popping or cracking sound when compressor comes on.	<ul style="list-style-type: none"> Metal parts undergo expansion and contraction, as in hot water pipes. 	<ul style="list-style-type: none"> This is normal. Sound will level off or disappear as Refrigerator continues to run.
Boiling or gurgling sound, like water boiling.	<ul style="list-style-type: none"> Refrigerant (used to cool Refrigerator) is circulating throughout the system. 	<ul style="list-style-type: none"> This is normal.
Vibrating or rattling noise.	<ul style="list-style-type: none"> Refrigerator is not level. It rocks on the floor when it is moved slightly. 	<ul style="list-style-type: none"> Level the unit. Refer to leveling instructions in the "Installation" section.
Snapping sound.	<ul style="list-style-type: none"> Cold control turning the Refrigerator OFF and ON. 	<ul style="list-style-type: none"> This is normal.
WATER/MOISTURE/FROST INSIDE REFRIGERATOR		
Moisture forms on inside of Refrigerator walls.	<ul style="list-style-type: none"> Weather is hot and humid. Door may not be seating properly. Door is kept open too long, or opened too frequently. 	<ul style="list-style-type: none"> This is normal. See "DOOR PROBLEMS" section. Open the door less often.
WATER/MOISTURE/FROST OUTSIDE REFRIGERATOR		
Moisture forms on outside of Refrigerator.	<ul style="list-style-type: none"> Door may not be seating properly, causing the cold air from inside the Refrigerator to meet warm moist air from outside. 	<ul style="list-style-type: none"> See "DOOR PROBLEMS" section.
ODOR IN REFRIGERATOR		
Odors in Refrigerator.	<ul style="list-style-type: none"> Interior needs to be cleaned. 	<ul style="list-style-type: none"> Clean interior with sponge, warm water, and baking soda.
DOOR PROBLEMS		
Door will not close.	<ul style="list-style-type: none"> Refrigerator is not level. It rocks on the floor when it is moved slightly. 	<ul style="list-style-type: none"> This condition may force the cabinet out of square and misalign the door. Refer to 'Leveling' in the "Installation" section.
LIGHT BULB IS NOT ON		
Light bulb is not on.	<ul style="list-style-type: none"> Light bulb is burnt out. No electric current is reaching the Refrigerator. 	<ul style="list-style-type: none"> Follow instructions under "Interior Light" in the "FEATURES" section. See "Installation" section.

Free Manuals Download Website

<http://myh66.com>

<http://usermanuals.us>

<http://www.somanuals.com>

<http://www.4manuals.cc>

<http://www.manual-lib.com>

<http://www.404manual.com>

<http://www.luxmanual.com>

<http://aubethermostatmanual.com>

Golf course search by state

<http://golfingnear.com>

Email search by domain

<http://emailbydomain.com>

Auto manuals search

<http://auto.somanuals.com>

TV manuals search

<http://tv.somanuals.com>