

KICKER®

IMPULSE U.S.A.

IX252, IX402, IX702, IX1302, IX2302

Stereo Power Amplifier

Congratulations! You have just purchased one of the latest in a long line of exceptional car audio power amplifiers from Stillwater Designs. Your KICKER Impulse was designed and engineered by the same team which created many other international award winning KICKER components like the ZR, ZX, and XS-Series amps. It contains a number of cutting-edge features to give you outstanding performance and dependability when installed in a properly designed system.

Thanks for buying KICKER. Enjoy.

KICKER IMPULSE AMPLIFIER FEATURES

Two sets of RCA jacks on each Kicker Impulse amplifier allow you to build multiple amplifier systems without having to use RCA splitter cords to distribute the signal. Now it is simply a matter of bringing one set of RCAs into the first amplifier, then using the output RCA jacks as a feed to the next amplifier.

Amplifiers are stable at 2 Ohms stereo and as low as 4 Ohms in mono.

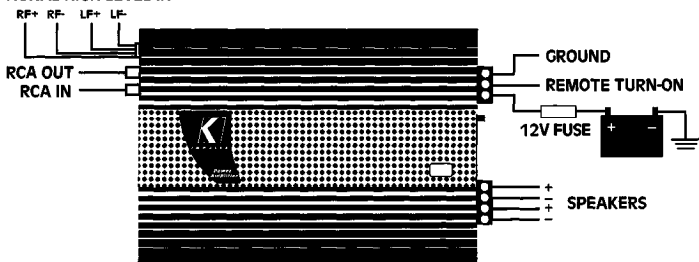
Input connections are included for high and low level signals for use with radios that have either RCA or speaker level outputs.

An electronic crossover is built in for convenience and allows you to select high pass for satellite speakers, low pass for subwoofers, or bypass for full range operation. In full range configuration the Kicker Impulse amplifiers will operate stereo and mono at the same time.

Auto-resetting short circuit and overthermal protection circuits are incorporated to protect the amplifier from failure due to extreme conditions.

State of the art circuitry including MOSFET power supply and glass epoxy circuit boards are used to ensure many years of trouble free operation.

OPTIONAL HIGH LEVEL IN



Wiring the KICKER Impulse Amplifier

The preferred method of bringing input signal in to the amplifier is with RCA cables from a quality tape or CD player. A high (speaker) level input signal may also be used if your factory deck or aftermarket source does not have low level RCA jacks. Regardless of which input is used, the output RCA jacks on your Kicker Impulse amplifier will provide a low level signal for multiple amplifier configurations.

Some of the system possibilities are shown in the System Diagrams section of this manual.

When working with power connections, always hook up the ground wire first and disconnect the ground wire last. Never make any wiring changes with the amplifier powered up.

The chassis mounted fuse(s) are in place to protect the circuitry of the amplifier in the event of major trouble. An in-line fuse must be installed within 18 inches of the battery to protect the power wire used to supply current to the amplifier. This fuse has to be at least as high of a value as the amplifier is supplied with. In-line fuse and recommended wire size are as follows:

<i>IX 2302</i>	<i>4Ga</i>	<i>80A fuse</i>
<i>IX 1302</i>	<i>6Ga</i>	<i>50A fuse</i>
<i>IX 702</i>	<i>8Ga</i>	<i>30A fuse</i>
<i>IX 402</i>	<i>10Ga</i>	<i>20A fuse</i>
<i>IX 252</i>	<i>10Ga</i>	<i>15A fuse</i>

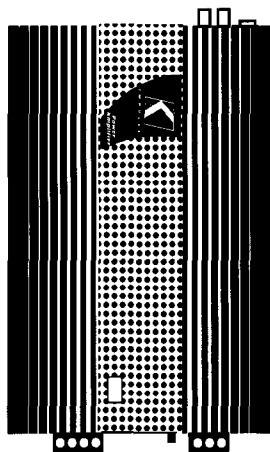
Any time that a power wire goes through a metal panel such as the firewall, or if there is any chance of abrasion, it is necessary to use a grommet or other suitable form of protection to avoid shorts.

The ground wire should be as short as possible and attached to the body of the vehicle. The ground point must be free from paint and corrosion. Use the same size wire for ground connection as is used for power.

Mounting the KICKER Impulse Amplifier

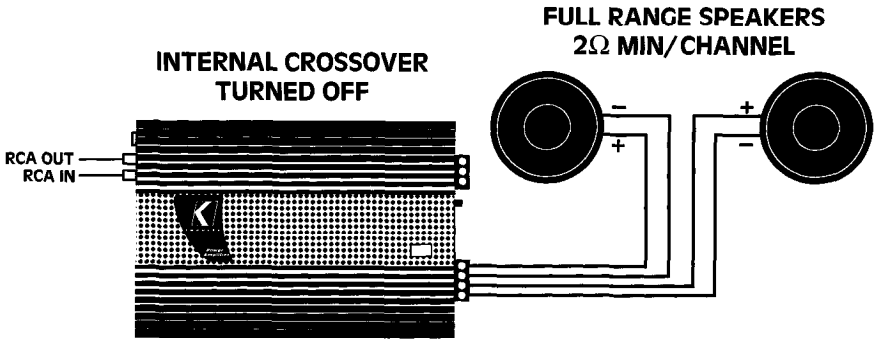
After determining an appropriate mounting location which provides good air circulation and access to the end panel controls, use the supplied screws and washers to firmly mount the amplifier. The amplifier chassis can be used as a template for the screw locations. Check to make sure that the mounting screws will not damage any components on the back side of the chosen mounting surface.

If a vertical mounting surface is chosen, it is recommended that the heatsink fins run vertically as shown for improved cooling.

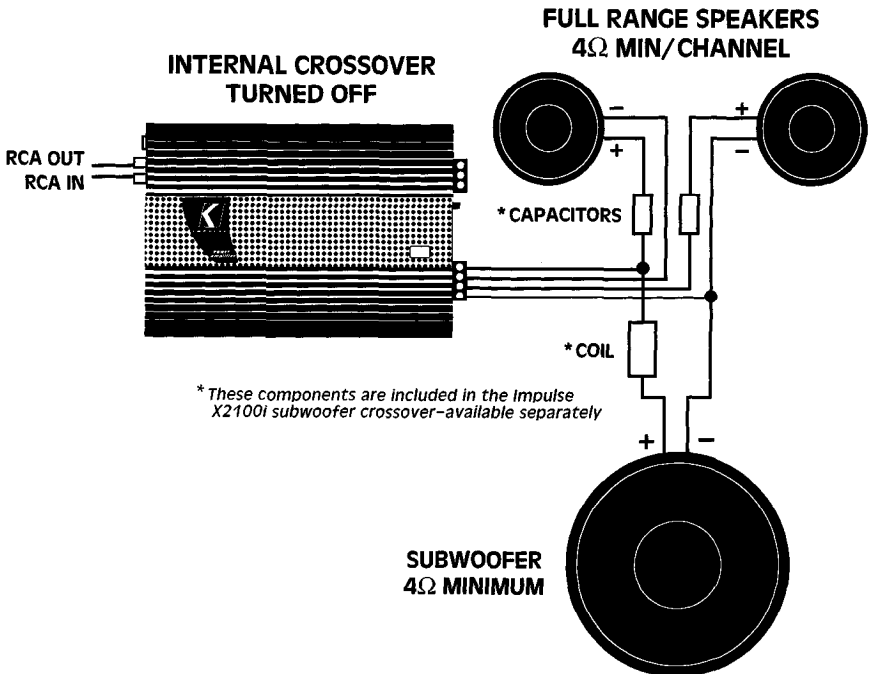


Basic Systems for the IMPULSE Two-Channel Amplifier

Stereo Two Channel

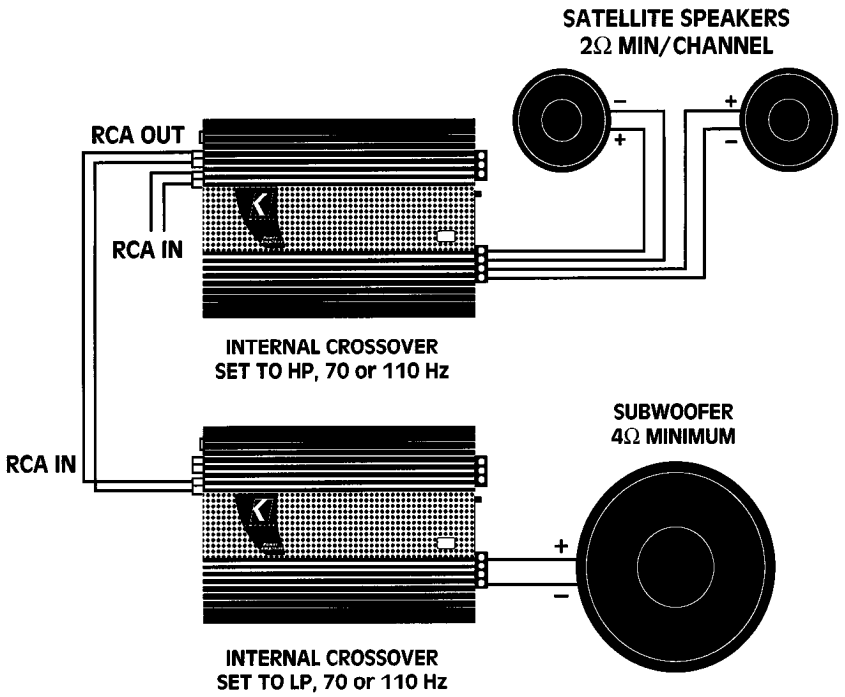


Stereo/Mono Hookup using IMPULSE X2100i Two-Way Subwoofer Crossover



* These components are included in the Impulse X2100i subwoofer crossover—available separately

Bi-Amp System for the IMPULSE Two-Channel Amplifiers



Adjustments and Controls

Setting Gain Control

The gain control is provided for level matching purposes. The control **does not** give the amplifier any more power by turning it up. Its purpose is to adjust the sensitivity of the amplifier in relation to the output level provided by the source.

Start with the amp gain set to minimum by turning the control counter-clockwise. Turn the source level up until distortion is barely audible. Then turn it down slightly. This will typically be at about 85% to 95% of full volume. Raise the amplifier gain until distortion is just audible. The gain is now set correctly. Check the level with cd/tape and tuner to make sure the adjustment is correct for all sources.

Setting KICKEQ™ Controls

The Bass and Treble controls on your Impulse Amplifier are provided to help tune your system for ideal sound quality. After the system is installed and the vehicle is put back together, do a listening test with music that is typical of the type you normally listen to.

Initially set the tone controls on the source unit to flat and turn the **KICKEQ™** controls fully counter-clockwise. Depending on your personal taste and the speakers used in the system, you may want to increase the high or low frequencies by turning the **KICKEQ™** controls clockwise. Remember that once the vehicle is in motion there will be an apparent loss of bass due to the masking effect of road noise. **Do not attempt to make adjustments while the vehicle is in motion.** It is safer to pull off the road to make changes.

Never change the crossover settings while the amplifier is on. A loud pop will result which could destroy speakers or cause hearing loss.

Troubleshooting

The LED mounted on the end panel of the amplifier lights up in two different colors depending on the condition of the amplifier. Green indicates that the amplifier is turned on and no trouble exists. When it turns red this indicates that the protection circuit has been engaged. The LED on the top of the amplifier chassis indicates that the amplifier is on. When the protection circuit is engaged, this LED turns off.

Green power indicator off, no output:

- With Volt Ohm Meter (VOM) check
 - 1 +12v power terminal
 - 2 Ground terminal
 - 3 Remote turn-on lead

Green power indicator on, no output:

- Check RCA and connections
- Test speaker outputs with known good speaker
- Check function of source unit
- With VOM in AC volts position check RCA for signal

No output from one channel:

- Check RCA and speaker connections for that channel
- Swap RCA connections from left to right
- Swap speaker connections between channels

Red LED protection indicator is lit and there is no output:

Case 1: Amp is very hot

- Thermal protection is engaged. Check for proper impedance at speaker terminals. Also check location of amplifier to ensure proper air flow around heatsink.

Case 2: Output resumes momentarily when system is turned off and back on

- Short circuit protection is engaged. With VOM check for short between speaker positive and negative, and between speaker terminals and ground.

Alternator noise (a whining that varies with engine RPM)

- Make sure that the ground for the source is as short as possible and connected to bare chassis metal. The stock radio ground may not be sufficient.
- Check RCA cable routing and condition. Keep RCA cables away from all power wires.

Specifications

Model	RMS Power (watts/channel) @ 12 5V, 4Ω stereo, 0 085% THD, all channels driven	RMS Power (watts/channel) @ 12 5V, 2Ω stereo, 0 2% THD, all channels driven	RMS Power (watts) @ 12 5V, 4Ω bridged mono, 0 2% THD	Dimensions (inches) 2 5Hx9 5Wx__L
IX2302	230 x 2	360 x 2	720	18 9
IX1302	130 x 2	200 x 2	400	13 8
IX702	70 x 2	105 x 2	210	9 8
IX402	40 x 2	60 x 2	120	7 8
IX252	25* x 2	30 x 2	60	6 3

	Dynamic Power (watts/channel) @ 14 4V, 4Ω stereo, 0 085% THD, all channels driven	Dynamic Power (watts/channel) @ 14 4V, 2Ω stereo, 0 2% THD, all channels driven	Dynamic Power (watts) @ 14 4V, 4Ω bridged mono, 0 2% THD	Dimensions (mm) 65Hx241Wx__L
IX2302	310 x 2	450 x 2	900	482
IX1302	175 x 2	260 x 2	520	350
IX702	100 x 2	140 x 2	280	248
IX402	55 x 2	80 x 2	160	198
IX252	30* x 2	40 x 2	80	160

*0 2%

Frequency Response	20Hz 20KHz ±0 5dB
Input Sensitivity	High level 1V-10V Low level 150mV 3 0V
Signal-to-Noise Ratio	>95dB, a weighted, re: rated power
Active Electronic Crossover	18dB/octave, selectable @ 70Hz or 110 Hz; selectable high pass, low pass, all pass
KICKEQ™ Bass Boost	Variable to +18dB, centered @ 40Hz
KICKEQ™ Treble Boost	Variable to +12dB, centered @ 18kHz

ELECTRONICS LIMITED WARRANTY

Stillwater Designs warrants this product to be free from defects in material and workmanship under normal use for a period of **three (3) years from date of original purchase when installed by an Authorized KICKER Dealer or one (1) year from date of original purchase if not installed by an Authorized KICKER Dealer**. If this product is labeled "B Stock" it is warranted for one (1) year from date of purchase regardless of place of installation. Should service be necessary under this warranty for any reason due to manufacturing defect or malfunction during the warranty period, Stillwater Designs will replace or repair (at its discretion) the defective merchandise with equivalent merchandise at no charge. Warranty replacements on "B-Stock" merchandise may have cosmetic scratches and blemishes. Discontinued products may be replaced with equivalent products.

This warranty is valid only for the **original purchaser** and is not extended to owners of the product subsequent to the original purchaser. Any applicable implied warranties are limited in duration to a period of the express warranty as provided herein beginning with the date of the original purchase at retail, and no warranties, whether express or implied, shall apply to this product thereafter. Some states do not allow limitations on implied warranties, therefore these exclusions may not apply to you.

This warranty gives you specific legal rights; however you may have other rights that vary from state to state.

WHAT TO DO IF YOU NEED WARRANTY OR SERVICE

Defective merchandise must be returned to your local Authorized Stillwater Designs (Kicker/Impulse) Dealer for warranty. Assistance in locating an Authorized Dealer can be obtained by writing or calling Stillwater Designs direct. You can confirm that a dealer is authorized by asking to see a current authorized dealer window decal.

If it becomes necessary for you to return defective merchandise, call the Kicker Customer Service Department at (405)624-8510 for a Return Authorization (RA) number. Package all defective items in the original container or in a package that will prevent shipping damage, and return to:

Stillwater Designs, 5021 North Perkins Road, Stillwater, OK 74075

The RA number must be clearly marked on the outside of the package. Return only defective components. Non-defective items received will be returned freight collect.

Include a **dated proof-of-purchase** from an Authorized Dealer. Warranty expiration on items returned without proof-of-purchase will be determined from the manufacturing date code. Coverage may be invalidated if this date is greater than one (1) year previous to the date item is sent in. Freight must be prepaid; items received freight collect will be refused.

Failure to follow these steps may void your warranty. Any questions can be directed to the Kicker Customer Service Department at (405)624-8510.

WHAT IS NOT COVERED?

This warranty is valid only if the product is used for the purpose for which it was designed. It does not cover:

- Products purchased from an unauthorized dealer
- Damage due to improper installation
- Damage caused by exposure to water, excessive heat, chemical cleaners, and/or UV radiation
- Damage through negligence, misuse, accident or abuse. Repeated returns for the same damage may be considered abuse.
- Freight damage
- The cost of shipping product to Stillwater Designs
- Items previously repaired or modified by any unauthorized repair facility
- Items returned from unauthorized individuals or dealers
- Return shipping on non-defective items
- Products with tampered or missing barcode labels
- Products returned without a Return Authorization (RA) number

HOW LONG WILL IT TAKE?

Stillwater Designs maintains a goal of 24-hour service for all returns. Delays may be incurred if lack of replacement inventory or parts is encountered.

INTERNATIONAL WARRANTY

Contact your International Stillwater Designs dealer or distributor concerning specific procedures for your country's warranty policies.



P O Box 459 • Stillwater, Oklahoma 74076 • U S A • 405 624-8510

STILLWATER
Designs®

WARNING:

KICKER components are capable of producing sound levels that can permanently damage your hearing! Turning up a system to a level that has audible distortion is more damaging to your ears than listening to an undistorted system at the same volume level. The threshold of pain is always an indicator that the sound level is too loud and may permanently damage your hearing. **Please use common sense when controlling volume!**

Download from www.manualslib.com. All Manuals Search and Download.

Outside the USA, please complete and mail to
your country's National KICKER Distributor.
You can get this address from the retail store
where you purchased your KICKER products.



NO POSTAGE
NECESSARY
IF MAILED
IN THE
UNITED STATES

BUSINESS REPLY MAIL

FIRST-CLASS MAIL PERMIT NO. 112 STILLWATER OK

POSTAGE WILL BE PAID BY ADDRESSEE

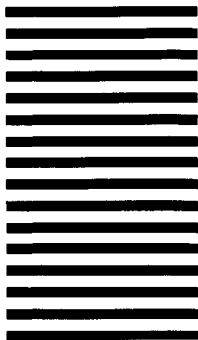
KICKER[®]
U.S.A.

STILLWATER DESIGNS

P O BOX 459

STILLWATER OK 74076-9907

Download from [Www.Somanuals.com](http://www.Somanuals.com). All Manuals Search And Download.



Warranty Registration: return for

FREE KICKER
U.S.A.

DECAL
AND WEARABLES CATALOG

Name⁽¹⁾ _____
(PLEASE PRINT CLEARLY)

Address⁽²⁾ _____

Kicker ID#⁽³⁾ _____
(Assigned if you have ever registered product before)

City⁽⁴⁾ _____

State⁽⁵⁾ _____ Zip⁽⁶⁾ _____

Telephone ⁽⁷⁾ (____) _____
(AREA CODE)

Daytime phone ⁽⁸⁾ (____) _____
(AREA CODE)

Age: ⁽⁹⁾ Under 18 ⁽¹⁰⁾ 18-24 ⁽¹¹⁾ 25-31 ⁽¹²⁾ 32-38
⁽¹³⁾ 39-45 ⁽¹⁴⁾ 46-52 ⁽¹⁵⁾ 53-59 ⁽¹⁶⁾ 60 & Over

What types of magazines do you read frequently?

⁽¹⁷⁾ Car Stereo ⁽¹⁸⁾ Stereo ⁽¹⁹⁾ Music ⁽²⁰⁾ Automotive
⁽²¹⁾ Sports ⁽²²⁾ Science ⁽²³⁾ Financial ⁽²⁴⁾ News

What types of music do you listen to frequently?

⁽²⁵⁾ Rock ⁽²⁶⁾ Pop ⁽²⁷⁾ Country ⁽²⁸⁾ Rap
⁽²⁹⁾ Jazz ⁽³⁰⁾ Classical ⁽³¹⁾ New Age ⁽³²⁾ Alternative

Do you belong to any of the following?

⁽³³⁾ IASCA ⁽³⁴⁾ USAC

What KICKER Product(s) did you purchase?

⁽³⁷⁾ Serial Number

⁽³⁸⁾ Model

(number under bar code on carton or product)

(eg. C10a, F12a, R5, ND25, etc.)

(Some models may not have a serial number)

109630100-463



⁽³⁹⁾ Date Purchased: _____
Month Day Year

Place Purchased:

⁽⁴⁰⁾ Store Name _____

⁽⁴¹⁾ Address _____

⁽⁴²⁾ City _____

⁽⁴³⁾ State _____ Zip⁽⁴⁴⁾ _____

In what vehicle will you install these products?

Year ⁽⁴⁵⁾ _____ Make ⁽⁴⁶⁾ (icc. Ford) _____

Model ⁽⁴⁷⁾ (icc. Thunderbird) _____

Who will perform the installation?

⁽⁴⁸⁾ Store above

⁽⁵¹⁾ Friend

⁽⁴⁹⁾ Manuals Search And Download ⁽⁵⁰⁾ Myself

Download from www.Somanuals.com

Free Manuals Download Website

<http://myh66.com>

<http://usermanuals.us>

<http://www.somanuals.com>

<http://www.4manuals.cc>

<http://www.manual-lib.com>

<http://www.404manual.com>

<http://www.luxmanual.com>

<http://aubethermostatmanual.com>

Golf course search by state

<http://golfingnear.com>

Email search by domain

<http://emailbydomain.com>

Auto manuals search

<http://auto.somanuals.com>

TV manuals search

<http://tv.somanuals.com>