



KICKER®
KMCOMPONENTSYSTEM

KM620.2, KM625.2



**KMComponentSystem
Owner'sManual**

Models: KM625.2, KM620.2

Congratulations on your KICKER purchase!
Please record your purchase information and keep your sales receipt for validation of warranty.

Authorized Kicker Dealer: _____
Purchase Date: _____
Speaker Model Number: _____

Your KM component system speakers were specially designed for "Livin' Loud" out in the harsh marine environment. They are magnetically shielded and use advanced materials and construction techniques to maintain optimal performance for years to come.

Application

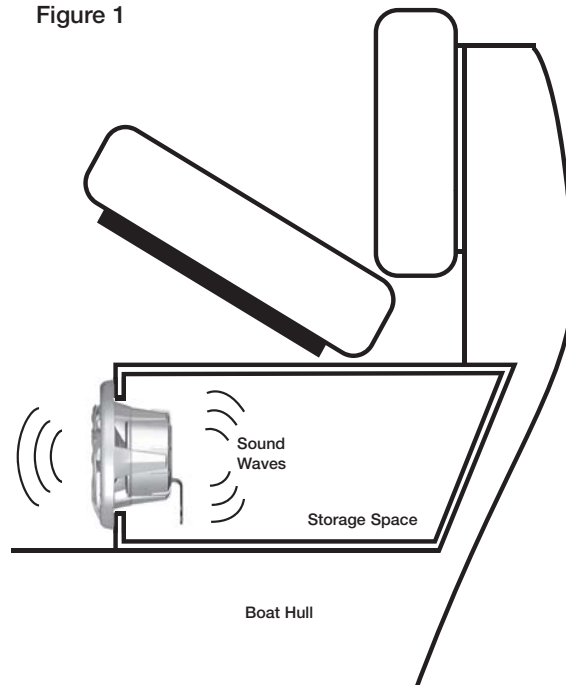
The Kicker KM component system speakers are specifically designed for mounting in free-air applications. The speakers do not require a sealed enclosure for optimum performance. It is important to isolate the sound coming off the front of the driver from the sound radiating from the back of the driver. This isolation is usually accomplished by using the driver in a factory speaker location, or in a location with a semi-isolated rear chamber. See Figure 1.

Location

The sound produced by the KM component system is directional, particularly for the tweeter's sonic output. Find the best location for stereophonic sound. If necessary, add more KM component systems or KM coaxial speakers (Kicker KM620) to the system to help distribute and balance the sound-stage.

After determining the best mounting locations, carefully check the areas where the mounting hardware will be placed. See Figure 2.

Figure 1



WooferMounting

Make sure the stainless steel mounting screws and U-type speed clips will not puncture the fuel cell, wiring, or interfere with any mechanical parts on the underside of the mounting surface.

Use the woofer "template" inside your KM component system speaker's shipping carton to mark the woofer mounting hole, then cut directly on the line. Pre-drill the mounting screw holes using a 7/64" (2.5mm) bit, and attach the KM component system woofer to the boat, by fastening the supplied stainless steel course-threaded screws to the boat's structure.

If applicable, utilize the enclosed stainless steel U-type speed clips.

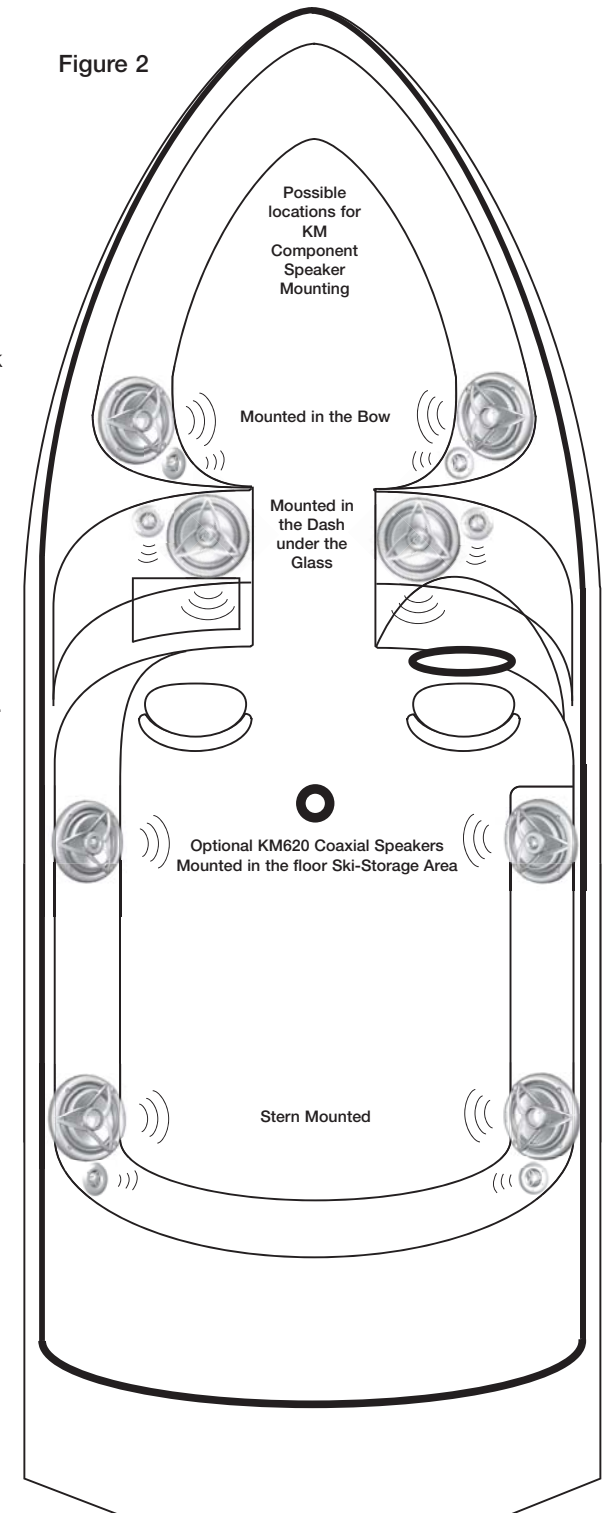
Mount the speaker and grille right side-up to take advantage of the KM component woofer's integrated moisture draining system. The Grilles are removable for custom painting applications. See Figure 3.

If the supplied hardware is not applicable to your installation, some other means of securely attaching the speakers to the vessel must be used.



Figure 3

Figure 2



INSTALLATION

INSTALLATION

TweeterMounting

The tweeter can be mounted one of three ways: flush, surface and angled mounting. For flush mounting applications, please refer to the illustration in Figure 5. Choose a flat location on the panel with space behind the panel to allow room for the mounting nut. After checking the clearances, cut the appropriate mounting hole diameter in the panel (see the chart below). Place the shorter mounting nut behind the panel. Feed the wire through the hole in the panel and the mounting nut. Mount the tweeter by screwing the mounting nut onto the tweeter.

INSTALLATION

For surface mounting applications use the surface mount cup as a template and pre-drill two 7/64" (2.5mm) screw holes for attaching the mounting cup to the panel, and a 5/16" (8mm) hole for the wires. Two #8 flathead stainless steel sheet metal screws are supplied to attach the mounting cup to the panel. Position the tweeter over the mounting cup and press it into position. See Figure 5.

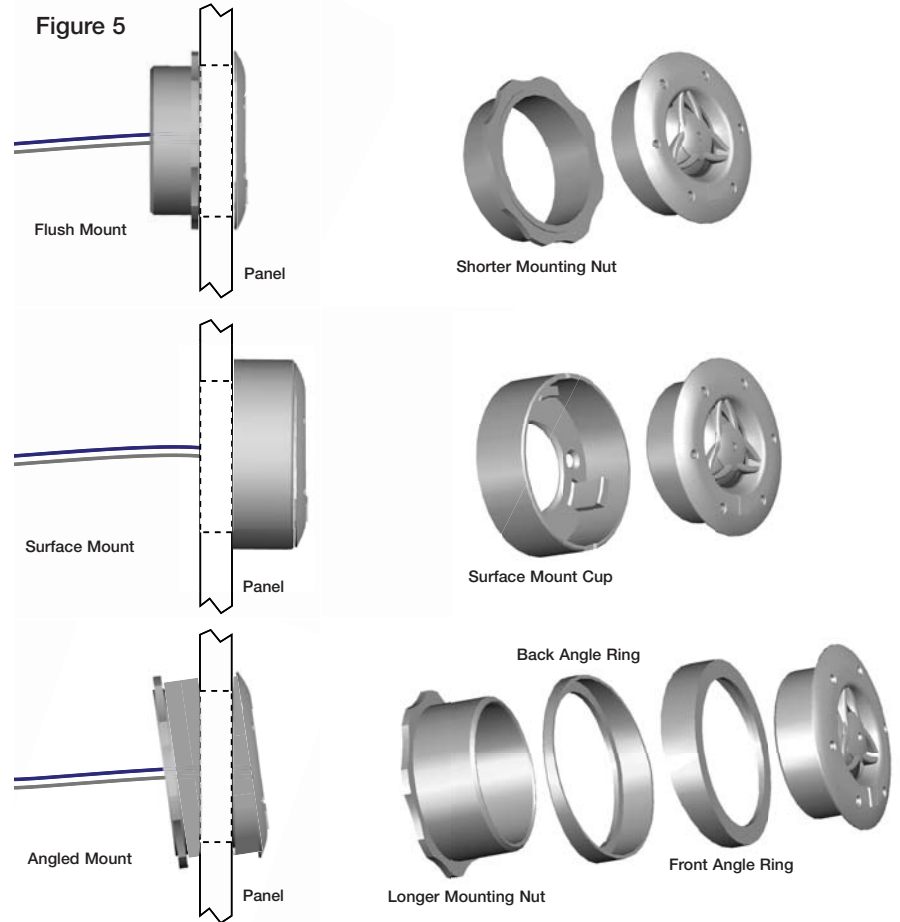
For angled mounting applications choose a flat location on the panel with space behind the panel to allow room for the mounting nut and back angle ring. After checking the clearances, cut the appropriate mounting hole diameter in the panel (see the chart below). Place the front angle ring (does not fit through the longer tweeter mounting nut) in front of the panel. Then place the wire and tweeter through the front angle ring and into the panel. Next place the wire through the back angle ring (fits through the longer tweeter mounting nut), place the back angle ring over the rear of the tweeter, and line-up the narrow part of the front angle ring for the preferred angle of operation. Place the wire through the longer tweeter mounting nut and loosely tighten the mounting nut around the tweeter. Rotate all the parts in unison until the tweeter is angled in the desired direction. Secure the assembly by tightening the tweeter mounting nut. See Figure 5.

Wiring

Carefully place the speaker wire in a location that is clear of standing water and moving components of the vessel. For reference, the Blue wire is Positive and the Silver wire is Negative. Mount the crossover to the woofer's back plate with the enclosed phillips-head M3 stainless steel machined screws, or mount the crossover remotely in a location free and clear of standing water. The locking crossover cover with water resistant gasket is removable for wiring installation; it helps prevent terminal corrosion and electrical shorting. The positive and negative gold plated terminals are of different sizes and correspond to the appropriate gold plated positive and negative wire connectors. Take off the crossover cover, and connect the wire from the woofer to the "WF" terminal and the wire from the tweeter to the "TW" terminal. Connect the supplied 15 feet (4.5m) of wire to "IN" terminal in the crossover. Carefully route the wires through the slot between the crossover and crossover cover, and snap the crossover cover back on the crossover. Connect the other end of the heavy gauge wire to your amplifier in accordance with its owner's manual. See Figure 4.



Figure 4



Performance

Model:	KM620.2	KM625.2
Woofer Size, in (cm)	6 (16)	6 (16)
Tweeter Size, in (cm)	3/4 (2.0)	1 (2.5)
Dome Material	Titanium	Titanium
Nominal Impedance [Zn], ohm	4	4
Power Handling Watts, Peak (RMS)	195 (65)	225 (75)
Sensitivity [SPLo], dB @ 1W, 1m	88	88
Effective Frequency Range, Hz	35-21k	35-21k
Woofer Mounting Hole Diameter, in (cm)	5 1/8 (13)	5 1/8 (13)
Woofer Mounting Depth w/o Crossover, in (cm)	2 7/8 (7.2)	2 7/8 (7.2)
Flush Mounting Tweeter Hole Diameter, in (cm)	1 9/16 (4.0)	1 15/16 (4.8)
High Pass, dB, at Frequency, Hz	18, 4000	18, 4000
Low Pass, dB, at Frequency, Hz	12, 4000	12, 4000
Bolt-Thru Grilles	Yes	Yes

Kicker Marine speakers use the highest level of magnetic shielding available to minimize compass and gauge deviation in your dash. Kicker Marine speakers meet or exceed industry standards for environmental humidity and corrosion, and for material degradation due to UV exposure.

PERFORMANCE

Acoustics Limited Warranty

Kicker warrants this product to be free from defects in material and workmanship under normal use for a period of THREE (3) MONTHS from date of original purchase with receipt. When purchased from an Authorized KICKER Dealer it is warranted for ONE (1) YEAR from date of original purchase with receipt. In all cases you must have the original receipt. Should service be necessary under this warranty for any reason due to manufacturing defect or malfunction during the warranty period, Kicker will repair or replace (at its discretion) the defective merchandise with equivalent merchandise at no charge. Warranty replacements may have cosmetic scratches and blemishes. Discontinued products may be replaced with more current equivalent products.

This warranty is valid only for the original purchaser and is not extended to owners of the product subsequent to the original purchaser. Any applicable implied warranties are limited in duration to a period of the express warranty as provided herein beginning with the date of the original purchase at retail, and no warranties, whether express or implied, shall apply to this product thereafter. Some states do not allow limitations on implied warranties; therefore these exclusions may not apply to you. This warranty gives you specific legal rights; however you may have other rights that vary from state to state.

WHAT TO DO IF YOU NEED WARRANTY OR SERVICE

Defective merchandise should be returned to your local Authorized Stillwater Designs (Kicker) Dealer for warranty service. Assistance in locating an Authorized Dealer can be found at www.kicker.com or by contacting Stillwater Designs directly. You can confirm that a dealer is authorized by asking to see a current authorized dealer window decal.

If it becomes necessary for you to return defective merchandise directly to Stillwater Designs (Kicker), call the Kicker Customer Service Department at (405) 624-8510 for a Return Merchandise Authorization (RMA) number. Package all defective items in the original container or in a package that will prevent shipping damage, and return to:

Stillwater Designs, 5021 North Perkins Road, Stillwater, OK 74075

The RMA number must be clearly marked on the outside of the package. Please return only defective components. The return of functioning items increases your return freight charges. Non-defective items will be returned freight-collect to you.

Include a copy of the original receipt with the purchase date clearly visible, and a "proof-of-purchase" statement listing the Customer's name, Dealer's name and invoice number, and product purchased. Warranty expiration on items without proof-of-purchase will be determined from the type of sale and manufacturing date code. Freight must be prepaid; items sent freight-collect, or COD, will be refused.

WHAT IS NOT COVERED?

This warranty is valid only if the product is used for the purpose for which it was designed. It does not cover:

- o Damage due to improper installation
- o Subsequent damage to other components
- o Damage caused by exposure to moisture, excessive heat, chemical cleaners, and/or UV radiation
- o Damage through negligence, misuse, accident or abuse. Repeated returns for the same damage may be considered abuse
- o Any cost or expense related to the removal or reinstallation of product
- o Speakers damaged due to amplifier clipping or distortion
- o Items previously repaired or modified by any unauthorized repair facility
- o Return shipping on non-defective items
- o Products with tampered or missing barcode labels
- o Products returned without a Return Merchandise Authorization (RMA) number
- o Freight Damage
- o The cost of shipping product to Kicker
- o Service performed by anyone other than Kicker

HOW LONG WILL IT TAKE?

Kicker strives to maintain a goal of 24-hour service for all acoustics (subwoofers, midrange drivers, tweeters, crossovers, etc) returns. Delays may be incurred if lack of replacement inventory or parts is encountered.

Failure to follow these steps may void your warranty. Any questions can be directed to the Kicker Customer Service Department at (405) 624-8510.

Note: All specifications and performance figures are subject to change. Please visit the www.kicker.com for the most current information. To get the best performance from your new Kicker Subwoofer, we recommend using genuine Kicker Accessories and Wiring.

International Warranty

Contact your International Kicker dealer or distributor concerning specific procedures for your country's warranty policies.

WARNING: KICKER products are capable of producing sound levels that can permanently damage your hearing! Turning up a system to a level that has audible distortion is more damaging to your ears than listening to an undistorted system at the same volume level. The threshold of pain is always an indicator that the sound level is too loud and may permanently damage your hearing. Please use common sense when controlling volume.

GARANTÍA INTERNACIONAL *VersiónEspañol*

Comuníquese con su concesionario o distribuidor Kicker internacional para obtener información sobre procedimientos específicos relacionados con las normas de garantía de su país.

ADVERTENCIA: Los excitadores Kicker son capaces de producir niveles de sonido que pueden dañar permanentemente el oído. Subir el volumen del sistema hasta un nivel que produzca distorsión es más dañino para el oído que escuchar un sistema sin distorsión al mismo volumen. El dolor es siempre una indicación de que el sonido es muy fuerte y que puede dañar permanentemente el oído. Sea precavido cuando controle el volumen.

La frase "combustible para vivir la vida Livin' Loud™ a todo volumen" se refiere al entusiasmo por la vida que la marca Kicker de estéreos de automóvil representa y a la recomendación a nuestros clientes de que vivan lo mejor posible ("a todo volumen") en todo sentido. La línea de altavoces y amplificadores Kicker es la mejor del mercado de audio de automóviles y por lo tanto representa el "combustible" para vivir a todo volumen en el área de "estéreos de automóvil" de la vida de nuestros clientes. Recomendamos a todos nuestros clientes que obedezcan todas las reglas y reglamentos locales sobre ruido en cuanto a los niveles legales y apropiados de audición fuera del vehículo.

INTERNATIONALE GARANTIE *DeutscheVersion*

Nehmen Sie mit Ihren internationalen Kicker-Fachhändler oder Vertrieb Kontakt auf, um Details über die Garantieleistungen in Ihrem Land zu erfahren.

WARNUNG: KICKER-Treiber können einen Schallpegel erzeugen, der zu permanenten Gehörschäden führen kann! Wenn Sie ein System auf einen Pegel stellen, der hörbare Verzerrungen erzeugt, schadet das Ihren Ohren mehr, als ein nicht verzerrtes System auf dem gleichen Lautstärkepegel. Die Schmerzschwelle ist immer eine Anzeige dafür, dass der Schallpegel zu laut ist und zu permanenten Gehörschäden führen kann. Seien Sie bei der Lautstärkeeinstellung bitte vernünftig!

Der Slogan "Treibstoff für Livin' Loud" bezieht sich auf die mit den Kicker-Autostereosystemen assoziierte Lebensfreude und die Tatsache, dass wir unsere Kunden ermutigen, in allen Aspekten ihres Lebens nach dem Besten ("Livin' Loud") zu streben. Die Lautsprecher und Verstärker von Kicker sind auf dem Markt für Auto-Soundsysteme führend und stellen somit den "Treibstoff" für das Autostereoerlebnis unserer Kunden dar. Wir empfehlen allen unseren Kunden, sich bezüglich der zugelassenen und passenden Lautstärkepegel außerhalb des Autos an die örtlichen Lärmvorschriften zu halten.

GARANTIE INTERNATIONALE *VersiónFrançaise*

Pour connaître les procédures propres à la politique de garantie de votre pays, contactez votre revendeur ou distributeur International Kicker.

AVERTISSEMENT: Les haut-parleurs Kicker ont la capacité de produire des niveaux sonores pouvant endommager l'ouïe de façon irréversible ! L'augmentation du volume d'un système jusqu'à un niveau présentant une distorsion audible endommage davantage l'ouïe que l'écoute d'un système sans distorsion au même volume. Le seuil de la douleur est toujours le signe que le niveau sonore est trop élevé et risque d'endommager l'ouïe de façon irréversible. Réglez le volume en faisant preuve de bon sens !

L'expression "carburant pour vivre plein pot" fait référence au dynamisme de la marque Kicker d'équipements audio pour véhicules et a pour but d'encourager nos clients à faire le maximum ("vivre plein pot") dans tous les aspects de leur vie. Les haut-parleurs et amplificateurs Kicker sont les meilleurs dans le domaine des équipements audio et représentent donc pour nos clients le "carburant pour vivre plein pot" dans l'aspect "installation audio de véhicule" de leur vie. Nous encourageons tous nos clients à respecter toutes les lois et réglementations locales relatives aux niveaux sonores acceptables à l'extérieur des véhicules.



STILLWATER
Designs®

P.O. Box 459 • Stillwater, Oklahoma 74076 • U.S.A. • (405) 624-8510 02082006+06KMCS

Free Manuals Download Website

<http://myh66.com>

<http://usermanuals.us>

<http://www.somanuals.com>

<http://www.4manuals.cc>

<http://www.manual-lib.com>

<http://www.404manual.com>

<http://www.luxmanual.com>

<http://aubethermostatmanual.com>

Golf course search by state

<http://golfingnear.com>

Email search by domain

<http://emailbydomain.com>

Auto manuals search

<http://auto.somanuals.com>

TV manuals search

<http://tv.somanuals.com>