

KICKER

COMPVR SUBWOOFER ENCLOSURE

BLAST LOUD

©2004 STILLWATER DESIGNS • P.O. BOX 459 • STILLWATER, OK 74076 USA • 405.624.8510 • WWW.KICKER.COM

OWNER'S MANUAL
DCVR12, DCVR10, TCVR10






CompVR Subwoofer Enclosure Manual

Models: **DCVR12 / DCVR10 / TCVR10**

Attention:

Please record your purchase information in the area below. We recommend attaching the original sales receipt to this manual for future reference.

If you require service on this speaker during the warranty period, you will need to provide this information and a copy of the original sales receipt to Kicker for validation of warranty repairs.

ALWAYS KEEP YOUR RECEIPT!

Authorized Kicker Dealer: _____

Purchase Date: _____

Enclosure Model Number: _____

Congratulations!

You have purchased one of the most versatile subwoofers systems in car audio. The CompVR Enclosure was designed by the award-winning KICKER speaker design team, tested in the judging lanes of International Sound Competitions, and proven on the Street to deliver the ultimate in low bass output, durability and outrageous SPL.

This is your "fuel for Livin' Loud™"!

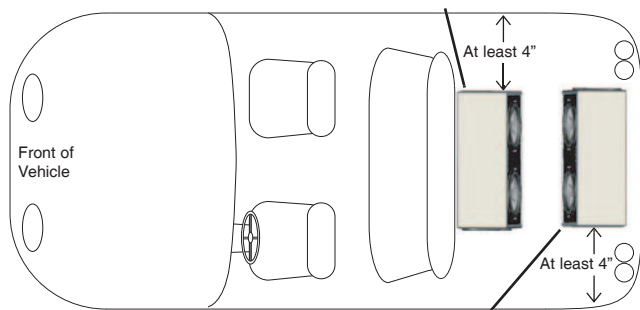
FEATURES

- **Injection Molded Polymineral Cone with ISD™ (Inverted Structural Dome)** is a high performance composite, which remains rigid, minimizes cone flex and lowers harmonic distortion. The CompVR's cone consists of a unique one-piece, aluminum vapor-deposit material that moves as a light weight piston, exhibiting power and control.
- **Rear Cone Brace** integrates into the CompVR's cone with a continuous contact perimeter weld, which offers unmatched strength and resistance to deformation under pressure.
- **Double Stitched Surround** adds a mechanical fastener to the chemical adhesives. This duo prevents the cone and surround from separating in the harshest conditions.
- **Optimized Polyfoam Ribbed Surround Radius** allows extended cone excursion for additional bass output and higher SPL, and couples the suspension into a conjoined linear-motion body.
- **High-Temp Polyimide Film Voice Coil Former** improves sonic and conductive properties, and prevents thermal-electrical meltdown.
- **Dual Ultra-Length Voice Coils** sustain enormous cone excursion and provide flexible impedance matching options.
- **Sleeved High-Power Tinsel Lead Wires** eliminate broken leads and power loss, due to the common use of "insufficient-gauge" lead wires. The lead wires are terminated with polymer-based strain-relieving mechanical fasteners.
- **Human Fine-Tuned Enclosures** and computer-modeling allow Kicker's award winning CompVR subwoofers to offer bass performance that surpasses most custom made boxes.
- **One-Piece Uniplate™ with Vented Hyper-Extended Pole Piece and Backplate**
 1. Optimizes heat transfer efficiency for cooler operation and maximum power handling ability.
 2. Eliminates erratic magnetic flux from the voice-coil gap.
 3. Releases pressure under the suspension for uniform cone movement and responsive low bass.
 4. Prevents the voice-coil from bottoming out and corresponding damage.
- **New Enhanced BAM (Basket and Motor) Assembly** utilizes a high strength steel basket, features a low-profile open design, and provides a solid foundation for the precision-aligned motor assembly.
- **Perimeter Venting in the BAM** relieves pressure from under the spider, supports a linear excursion, and helps dissipate heat from the voice coil and motor structure.

PERFORMANCE

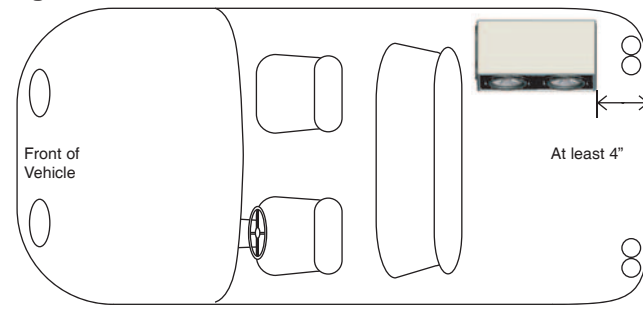
Model:	DCVR10	DCVR12	TCVR10
Nominal Impedance [Zn], ohm [per enclosure]	2 or 4	2 or 4	2 or 4
Resonance Frequency [fb or fo], Hz	40	38	47
Sensitivity [SPLo], dB @ 1W, 1m	96.5	98	92.3
Effective Excursion [EXmax™], in (mm)	.5 (12.73)	.498 (12.64)	.5 (12.73)
Power Handling Watts, Peak (RMS)	800 (400)	1200 (600)	800 (400)
Enclosure Top Surface Depth, in (cm)	13 7/16 (34.1)	13 15/16 (35.4)	5 (12.7)
Enclosure Bottom Surface Depth, in (cm)	16 7/16 (41.8)	17 3/8 (44.1)	8 5/8 (21.9)
Enclosure Height, in (cm)	14 (35.6)	16 (40.6)	15 (38.1)
Enclosure Width, in (cm)	28 1/2 (72.4)	32 3/8 (82.2)	21 1/2 (54.6)

Figure A Front mounting, speaker faces rear of vehicle



Rear mounting, speaker faces front of vehicle

Figure B



Measurements are based on the 4 ohm enclosures. **Note:** The use of a subsonic filter will significantly increase the powerhandling. The power handling specifications in this chart are calculated using a 25 Hz, 24 dB per octave subsonic filter.

VENTED ENCLOSURES

DCVR Series vented enclosures combine KICKER's award winning CompVR subwoofers with computer-modeled and human fine-tuned enclosures to offer a level of bass performance never before thought possible from a commercially available, ready-to-install subwoofer system. The DCVR Series enclosures are available with pre-loaded 10 or 12 inch **CompVR** subwoofers.

To get all the amazing performance potential from your new enclosure, you need to follow some basic rules. Please read these instructions carefully. Then, you will be ready to install the subwoofer enclosure and be on the road and "Livin' Loud™".

The location and orientation of your DCVR enclosure will affect the quality and quantity of the bass. Designed for use in SUVs and sedan type vehicles, the DCVR enclosure offers you several mounting options.

The vent opening in these enclosures can not be obstructed. At some frequencies most of the bass will come out of the vent. Therefore we recommend you leave at least four inches (10 cm) of clear space around the vent.

If the enclosure is to be mounted all the way in the back of the vehicle, it works best to point the woofer toward the front of the vehicle. Conversely, if the enclosure is going to be mounted closer to the back seat, pointing the woofer toward the rear of the vehicle will give you the best results. These guidelines pertain to enclosures mounted in the vehicle as outlined in Figure A.

Note: To get the best performance from your CompVR Subwoofer Enclosure, we recommend using *genuine* Kicker Accessories and Wiring.

When it is more convenient to mount the enclosure along a side wall, put the enclosure on the right side of the vehicle as outlined in Figure B. This orientation will make the vent point toward the rear of the vehicle and will produce the most low bass output. Remember to leave at least four inches of room between the enclosure and the back of the vehicle.

After determining the best mounting position, carefully check the areas where the mounting brackets will be placed. Make sure the mounting screws will not puncture the gas tank, brake lines, wiring, or interfere with any mechanical parts on the underside of the mounting surface. Turn the enclosure upside-down, pre-drill the holes using a 7/64" (2.5 mm) bit and attach the four mounting brackets to the bottom of the enclosure using the supplied smaller screws. Each bracket must be positioned so the rounded end protrudes approximately 3/4" (2 cm) from under the cabinet to allow a screw to easily pass through the bracket, securing the enclosure to the vehicle.

Plug your subwoofer speaker wire into the terminals, using the red connector as positive and the black connector as negative. Hook the other end of the wire to your subwoofer amplifier in accordance with its owner's manual.

With the enclosure right side up, securely attach it to the vehicle with the supplied larger screws.

If the supplied hardware is not applicable to your installation, some other means of securely attaching the enclosure to the vehicle must be used.

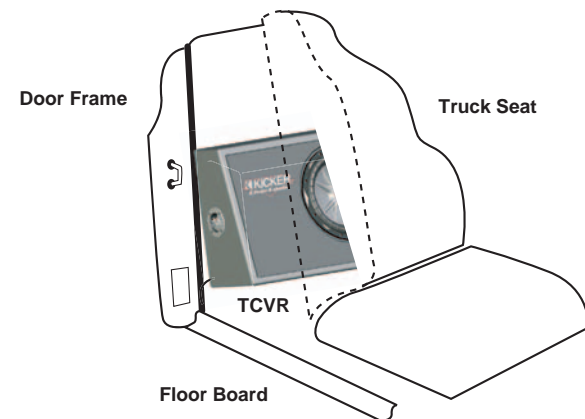
INSTALLATION

TRUCK ENCLOSURES

TCVR Series vented truck enclosures combine KICKER's award winning CompVR subwoofers with computer-modeled and human fine-tuned enclosures to offer a level of bass performance never before thought possible from a commercially available, ready-to-install subwoofer system. The TS Series enclosures are available with a pre-loaded 10 inch **CompVR** subwoofer.

To get all the amazing performance potential from your new enclosure, you need to follow some basic rules. Please read these instructions carefully. Then, you will be ready to install the subwoofer enclosure and be on the road and "Livin' Loud™".

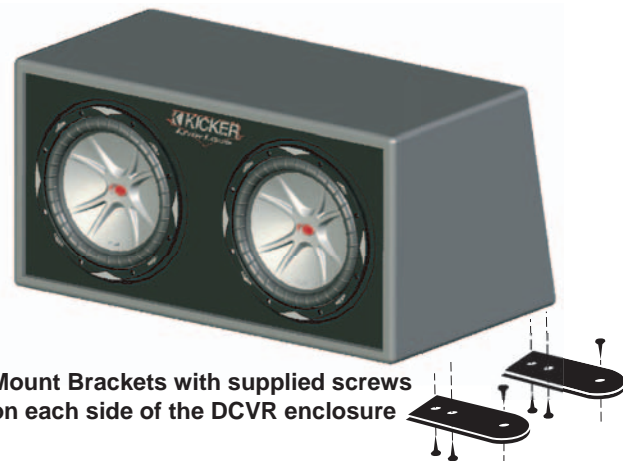
Kicker TCVR Series enclosures are designed to fit behind the seat of a pickup truck. They are engineered to provide the best bass response when firing into the back of the truck seat.



All specifications and performance figures are subject to change. Please visit kicker.com for the most current information.

Plug your subwoofer speaker wires into the terminals. The red connectors are positive and the black connectors negative. Hook the other end of these wires to your subwoofer amplifier in accordance with the amplifier's manual.

WARNING: To avoid potential injury, or possible death, from forward movement of the enclosure during abrupt stops or accidents, the enclosure must be properly installed and securely fastened to your vehicle.



CAUTION: These enclosures are internally wired for a 2 or 4 ohm load at the speaker-wire connection terminal. Please refer to the terminal or the box packaging for your enclosure's specific impedance. Make sure your amplifier can drive this load.

ACOUSTICS LIMITED WARRANTY

Kicker warrants this product to be free from defects in material and workmanship under normal use for a period of **THREE (3) MONTHS** from date of original purchase with receipt. When purchased from an Authorized KICKER Dealer it is warranted for **ONE (1) YEAR** from date of original purchase with receipt. In all cases you **must have the original receipt!** Should service be necessary under this warranty for any reason due to manufacturing defect or malfunction during the warranty period, Kicker will repair or replace (at its discretion) the defective merchandise with equivalent merchandise at no charge. Warranty replacements may have cosmetic scratches and blemishes. Discontinued products may be replaced with more current equivalent products.

This warranty is valid only for the **ORIGINAL PURCHASER** and is not extended to owners of the product subsequent to the original purchaser. Any applicable implied warranties are limited in duration to a period of the express warranty as provided herein beginning with the date of the original purchase at retail, and no warranties, whether express or implied, shall apply to this product thereafter. Some states do not allow limitations on implied warranties, therefore these exclusions may not apply to you. This warranty gives you specific legal rights; however you may have other rights that vary from state to state.

WHAT TO DO IF YOU NEED WARRANTY OR SERVICE

Defective merchandise should be returned to your local Authorized Stillwater Designs (Kicker) Dealer for warranty. Assistance in locating an Authorized Dealer can be obtained by writing, calling, or by visiting kicker.com. You can confirm that a dealer is authorized by asking to see a current authorized dealer window decal.

If it becomes necessary for you to return defective merchandise directly to Stillwater Designs (Kicker), call the Kicker Customer Service Department at (405) 624-8510 for a Return Authorization (RMA) number. Package all defective items in the original container or in a package that will prevent shipping damage, and return to:

Stillwater Designs, 5021 North Perkins Road, Stillwater, OK 74075

The RMA number must be clearly marked on the outside of the package. Please return **only defective components** (subwoofer, speaker-wire connector, etc.). Return of the entire enclosure cabinet increases your return freight charges. Non-defective items received will be returned freight collect.

Include a copy of the original receipt with the purchase date clearly visible, and a **"proof-of-purchase"** statement listing the Customer's name, Dealer's name and invoice number, and product purchased. Warranty expiration on items without proof-of-purchase will be determined from type of sale and the manufacturing date code. Freight must be prepaid; items sent freight collect, or COD, will be refused.

Failure to follow these steps may void your warranty. Any questions can be directed to the Kicker Customer Service Department at (405) 624-8510.

WHAT IS NOT COVERED?

This warranty is valid only if the product is used for the purpose for which it was designed.

It does not cover:

- Damage due to improper installation.
- Subsequent damage to other components.
- Damage caused by exposure to moisture, excessive heat, chemical cleaners, and/or UV radiation.
- Damage through negligence, misuse, accident or abuse. Repeated returns for the same damage may be considered abuse.
- Any cost or expense related to the removal or reinstallation of product.
- Speakers damaged due to amplifier clipping or distortion.
- Items previously repaired or modified by any unauthorized repair facility.
- Return shipping on non-defective items.
- Products with tampered or missing bar code labels.
- Products returned without a Return Authorization (RMA) number.
- Freight Damage.
- The cost of shipping product to Kicker.
- Service performed by anyone other than Kicker.

HOW LONG WILL IT TAKE?

Kicker strives to maintain a goal of 24-hour service for all acoustics (subwoofers, midrange drivers, tweeters, crossovers, etc) returns. Delays may be incurred if lack of replacement inventory or parts is encountered.

INTERNATIONAL WARRANTY

Contact your International Kicker dealer or distributor concerning specific procedures for your country's warranty and service policies.



STILLWATER
Designs®

P.O. Box 459 • Stillwater, Oklahoma 74076 • U.S.A. • (405) 624-8510

WARNING:

KICKER drivers are capable of producing sound levels that can permanently damage your hearing! Turning up a system to a level that has audible distortion is more damaging to your ears than listening to an undistorted system at the same volume level. The threshold of pain is always an indicator that the sound level is too loud and may permanently damage your hearing.

Please use common sense when controlling volume!

WARRANTY

Free Manuals Download Website

<http://myh66.com>

<http://usermanuals.us>

<http://www.somanuals.com>

<http://www.4manuals.cc>

<http://www.manual-lib.com>

<http://www.404manual.com>

<http://www.luxmanual.com>

<http://aubethermostatmanual.com>

Golf course search by state

<http://golfingnear.com>

Email search by domain

<http://emailbydomain.com>

Auto manuals search

<http://auto.somanuals.com>

TV manuals search

<http://tv.somanuals.com>