



Patent:
5,890,320



KidCo is a member of:



Made in Denmark for:
KidCo, Inc.
300 Terrace Drive
Mundelein, IL 60060

www.kidco.com
Phone 847-970-9100
Fax 847-970-9109

Patents pending



User Guide
HearthGate Model G70
For hearths 6' wide by 2' deep
Optional 8" section (G70-8) or 24" section (G70-24)
available for larger areas.

Bl. 3001-101d • G70-0208



Important Notes

FOLLOW THESE INSTRUCTIONS CAREFULLY AND KEEP THEM FOR FUTURE REFERENCE

Before attempting to unfold the gate, read instructions thoroughly. Failure to do so may result in damage to the gate or injury to your child.

Your HearthGate™ is completely assembled and folded compactly and must be unfolded in sequence. Unpack your HearthGate™ onto

a stable surface. Familiarize yourself with the parts by comparing them to the parts check list below.

It is recommended you place the gate a minimum of 20" from the source of heat/fire.

WARNING

At 20" away from the source of heat/fire, the gate could reach a temperature of 130°. Since every fireplace/wood burning stove, barbecue grill reaches different temperatures, test your unit at maximum heat output. If gate is hot to touch, move gate further from heat source than recommended 20".

⚠ WARNING

- Intended for use with children from 6 months through 36 months.
- Check the stability of the gate and tighten all hardware and mountings regularly.
- To prevent serious injury or death, securely install gate or enclosure and use according to manufacturer's instructions.
- Never use with a child able to climb over or dislodge/open the gate or enclosure.
- Do not use if any part of the gate is broken or missing.
- Never use if gate is 3/4 of child's height.
- This product will not necessarily prevent all accidents. Never leave child unattended.
- Use only spare parts available from KidCo.
- Never allow child to climb or swing on gate.
- Use only with locking/latching mechanism securely engaged.
- Place gate a minimum of 20" from source of heat/fire.
- Discontinue use if any part of gate is damaged.
- Never climb over gate.
- Never hang or tie toys etc. to any part of the gate.

Parts Check List



Standard HearthGate™ has five 24" sections including a walk through door



2 Wall Plates (C)



2 Wall Covers (A)



6 Screws for mounting directly into wood (D)



6 Screws for Wall Covers (E)



6 Nuts for Wall Covers (F)



2 Lock Fittings (B)



2 Plastic Hinge Covers (G)
(use only on lower hinge when section is removed)



2 Plastic Hinge Caps (H)
(shipped assembled under bottom hinge of end sections)



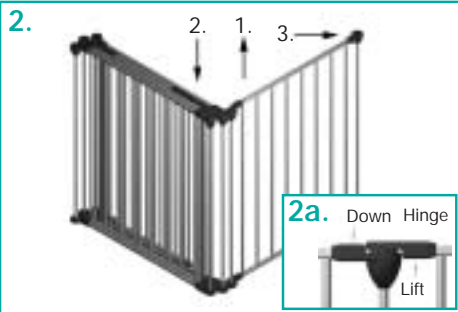
2 Removable Cones (I)
(shipped assembled under top hinge of end sections)

Unpacking



1.

Unpack your folded HearthGate™ on a stable surface, making sure handle is on top. Each corner is connected by plastic, interlocking hinges.

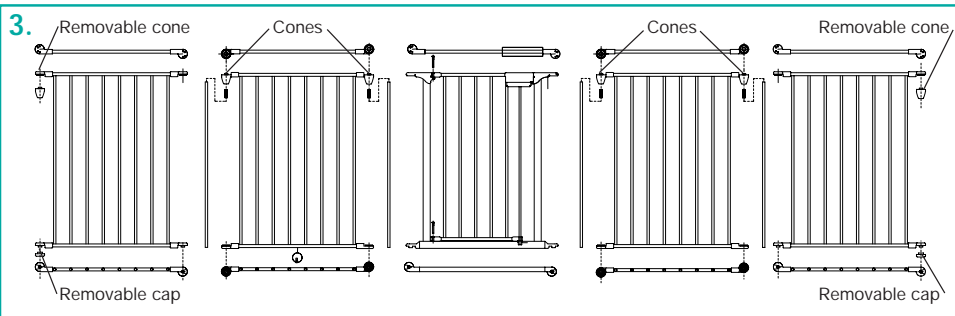


2.

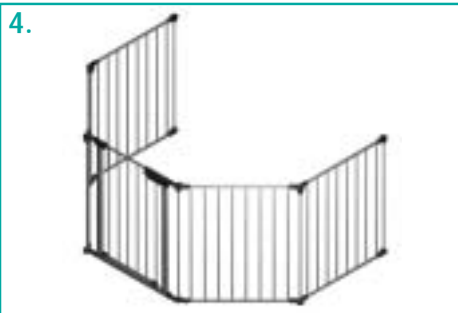
How to adjust the sections:

A spring is fitted in all cones which deliberately creates tension when adjusting. At corner, lift up slightly on section with hinge teeth facing down (1) while gently pressing down on connected section (2). Rotate sections to desired position. (3). Release to lock into place.

Note: Each hinge adjusts from 0° to 270° in 10° increments.



3.



4.

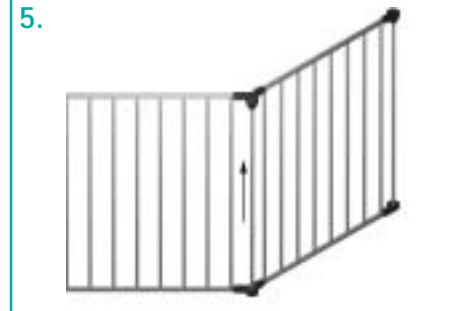
Position HearthGate™ to desired shape, taking into account recommended 20" minimum distance described in "Important Notes" on page 2. It may be necessary to remove or add section/s to gate to fit your application.

If making no changes, see "Installation" steps 13 to 23.

If removing sections, see "Assembly" steps 5 to 10.

If adding sections, see "Assembly" steps 5 to 7.

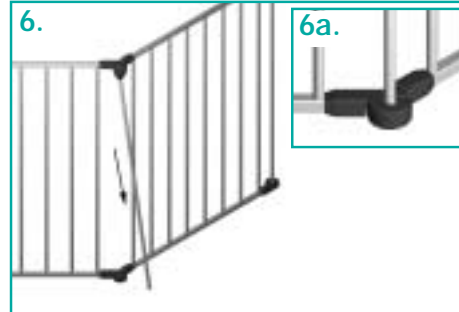
Assembly



5.

Removing or adding sections:

Note: Always begin separating gate from either end. At the juncture of every section is a removable, vertical bar.



6.

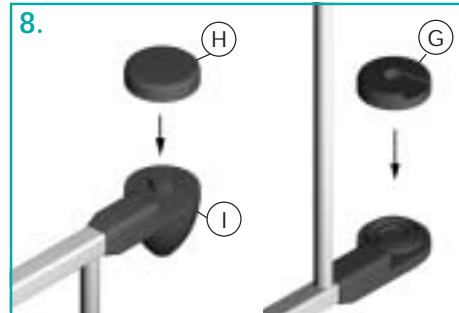
To remove vertical bar, lift up on bar (5), while sliding it out of lower hinge groove (6a.). Pull bar down and out of cone (6.).



7.

Lift off end section. If gate is now appropriate length, go to step 8.

If additional section/s are required, go to steps 11 & 12.



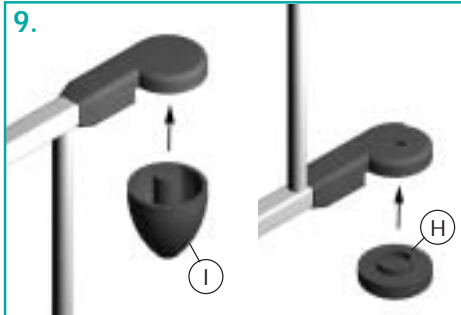
8.

Depending on number of sections removed, you will end up with one of two configurations at the end of gate (diagram 8 or 9).

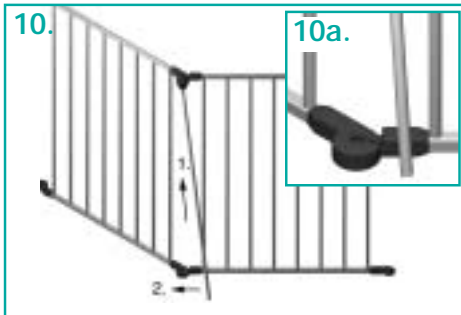
Remove hinge cap (H) from bottom of original end section. A screwdriver may be used to help pry it off. Place cap over top hinge on what is now the end piece.

Place spare hinge cover (G) over bottom hinge. Go to step 10.

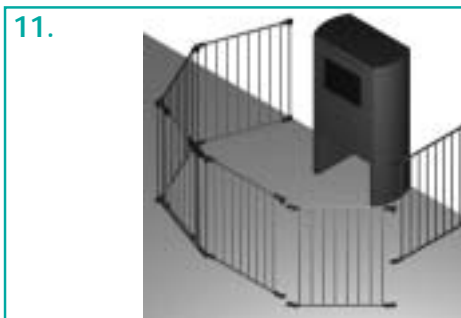
Assembly



Remove hinge cap (H) from bottom of original end section. A screwdriver may be needed to pry it off. Place under bottom hinge. Remove plastic cone from under top hinge of original end section. Install cone (I) under top hinge of new end section.



Reinstall a removable, vertical bar. Insert bar by pressing it into upper hinge cone, while sliding bar into groove of lower hinge. Spring in cone will make bar lock in place. Proceed to "Installation" steps 13 to 23.



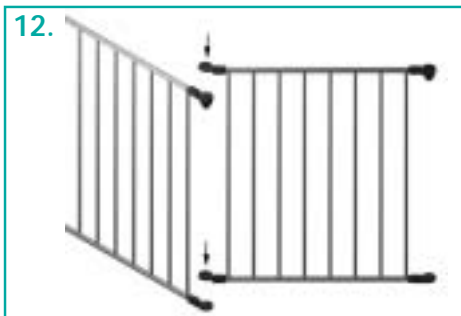
Adding optional section/s:
Remove vertical bar from optional section (steps 5 & 6).

Position optional section with cone hinge at top. Align cone hinge underneath top hinge on end section. When the center of both hinges are aligned, top and bottom, they will fall together. Insert removable bar (see step 10). If adding more than one section, repeat the process.

Reattaching end sections:
Align top cone corner of one section with the top hinge of the end section. When the center of both hinges are aligned, top and bottom, they will fall together. Insert removable bar. Proceed to "Installation" steps 13 to 23.

Note: The HearthGate™ cannot be completely folded when optional section/s have been added.

Relocating the walk through door section:
The walk through door section can be repositioned in the configuration as long as it is interchanged with a section that has matching top and bottom hinges (refer to diagram 3).

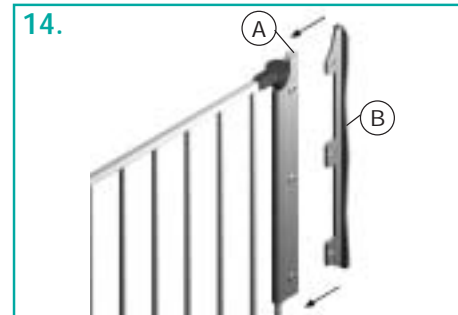


Installation

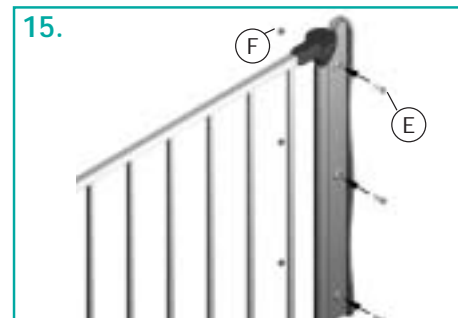


Installing the wall mountings:

Fold wall cover (A) around vertical bar at end of gate.



Insert lock fitting (B).



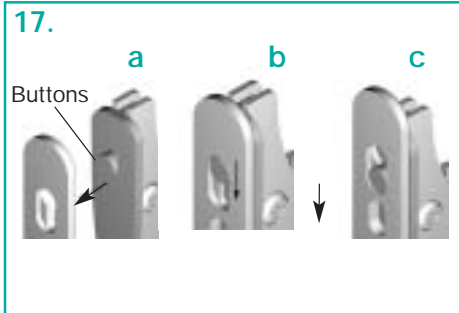
Insert 3 wall cover screws (E) through oblong holes in top, middle and bottom of assembly.

Note: Loosely screw on nuts (F), but **do not tighten at this time.**



Fasten wall plate (C) onto assembly. See steps 17. a, b and c.

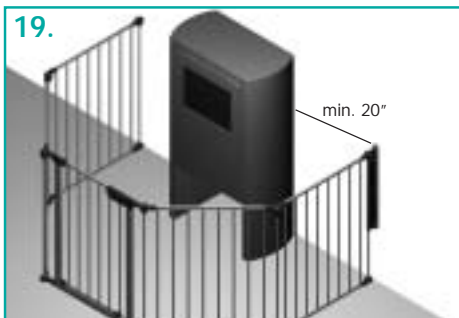
Installation



Center buttons of assembly with wall plate holes (17. a). When aligned, push buttons through holes and slide down to lock (17. b & c).

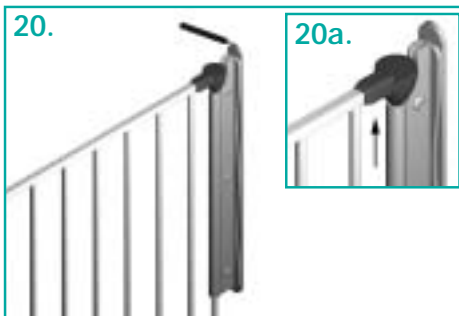


Now it should look like this.



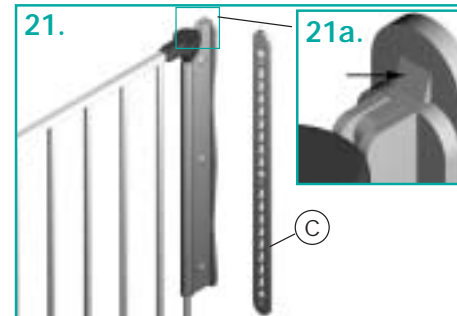
Move HearthGate™ to desired location.

Warning: A distance of a minimum of 20" from source of heat/fire to gate is recommended (see "Important Notes" page 2). If this is not possible with sections included, optional 24" sections are available from your HearthGate™ dealer or KidCo.

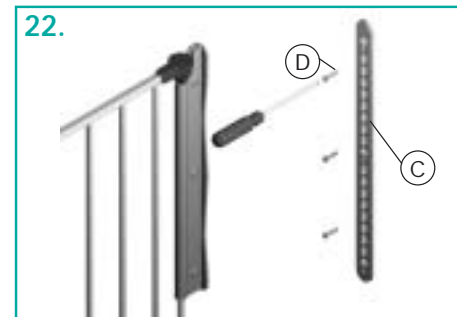


Slide the assembly as close to cone as possible (20a.). With a pencil, outline assembly on mounting surface.

Installation



Remove wall plate (C) from assembly by pressing locking tab (21a.) and lifting it off.



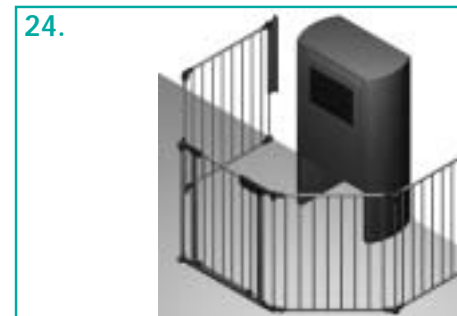
Note: Screws provided are for mounting directly into wood. If mounting into brick, drywall or other surfaces, use appropriate hardware.

Hold wall plate (C) inside outline and screw in 3 wood screws (D). Space screws evenly. There are multiple holes in wall plate giving many screw location options.

Reattach assembly to wall plate (see 17. a, b and c).



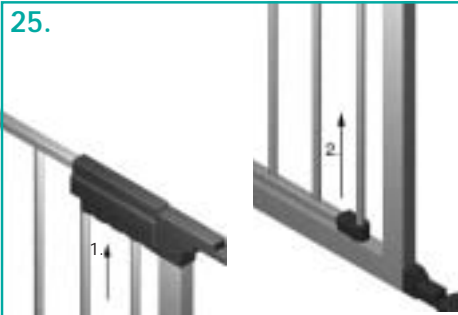
Tighten 3 sets of assembly screws and nuts.



Now you are ready to mount other end of HearthGate™. Follow steps 13 to 23.

Operation

25.



Opening the walk through door:

Squeeze handle up as much as possible (1). The locking bar should release from bottom frame (2). Door can now swing open in either direction.

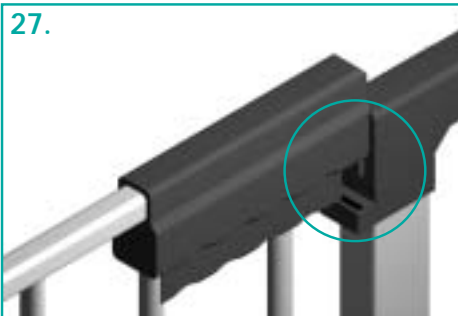
26.



Closing and locking the walk through door:

While closing door, squeeze handle up as much as possible (25.1.) and align bottom of door with gate frame (25.2.). Release handle and door should lock. **Gate should always be in the locked position.**

27.



Door will be properly locked when handle hook and bottom locking bar have engaged. Test to ensure door is locked.

Gate Care

- No part of this gate requires lubrication.
- Clean using warm soapy water, or a damp cloth.
- Do not use abrasive cleaners or bleach.
- If using out doors, and to help prevent rust, treat all exposed metal on the gate with a rust inhibitor. Some rusting may still occur.

KIDCO LIMITED WARRANTY

Your KidCo product is warranted to be free from manufacturing defects for a period of one year from date of purchase under normal non commercial use and in compliance with the operating instructions. This warranty extends only to the original retail purchaser and is only valid when supplied with proof of purchase.

KidCo will either repair, or at our option replace, free of charge, any parts necessary to correct defects in material or workmanship during the warranty period. This warranty is complete and exclusive. The warranty expressly disclaims liability for incidental, special and consequential damages of any nature. Any implied warranty arising by operation of law shall be limited in operation to the terms of this warranty. Some states do not allow the exclusion or limitation of incidental or consequential damages or limitations on how long an implied warranty lasts, so the above may not apply to you. This warranty gives you specific legal rights, and you may have other rights which vary from state to state.

SHOULD REPAIR OR PARTS BE NECESSARY

Should a repair be needed during the warranty period, ship the gate in the original carton or similar protective container (check any retail store or purchase from UPS) and send freight prepaid (we suggest UPS) to: **KidCo, Inc., 300 Terrace Drive, Mundelein, IL 60060-3836.**

Include a note with your return address, day-time telephone number, and specify what is wrong with the product. Repairs can normally be made within 48 hours after receipt at KidCo. For additional information CALL our customer service department at (847) 970-9100.

PARTS PRICE LIST CONFIGUREGATE - G80

Price		
\$7		Wall cover (1)
\$7		Lock fittings (1)
\$7		Wall plates (1)
\$1		Wood screws (6)
\$1		Wall cover screws (6)
\$1		Wall cover nuts (6)
\$2		Hinge covers (1)
\$2		Hinge caps (1)
\$2		Cones (1)
\$7		Removable Vertical bar (1)

SHIPPING AND HANDLING CHARGES

If order includes wall covers, lock fittings or wall plates add \$8.00

All others add \$5.00

Order amount \$ _____
Shipping & handling \$ _____
Total \$ _____

METHOD OF PAYMENT *Please do not send cash.*

Check/Money Order enclosed (Payable to: KidCo, Inc.)

VISA (13 or 16 Digits) Mastercard (16 Digits)

Mo. Yr.
Credit card account number _____ Expiration date (required) _____

Signature of cardholder _____ Date _____

Please print name of cardholder _____

Name _____ Day time phone no. _____

Street Address _____ Unit _____

City _____ State _____ Zip _____

Free Manuals Download Website

<http://myh66.com>

<http://usermanuals.us>

<http://www.somanuals.com>

<http://www.4manuals.cc>

<http://www.manual-lib.com>

<http://www.404manual.com>

<http://www.luxmanual.com>

<http://aubethermostatmanual.com>

Golf course search by state

<http://golfingnear.com>

Email search by domain

<http://emailbydomain.com>

Auto manuals search

<http://auto.somanuals.com>

TV manuals search

<http://tv.somanuals.com>