



Service Manual / Manuel de Service

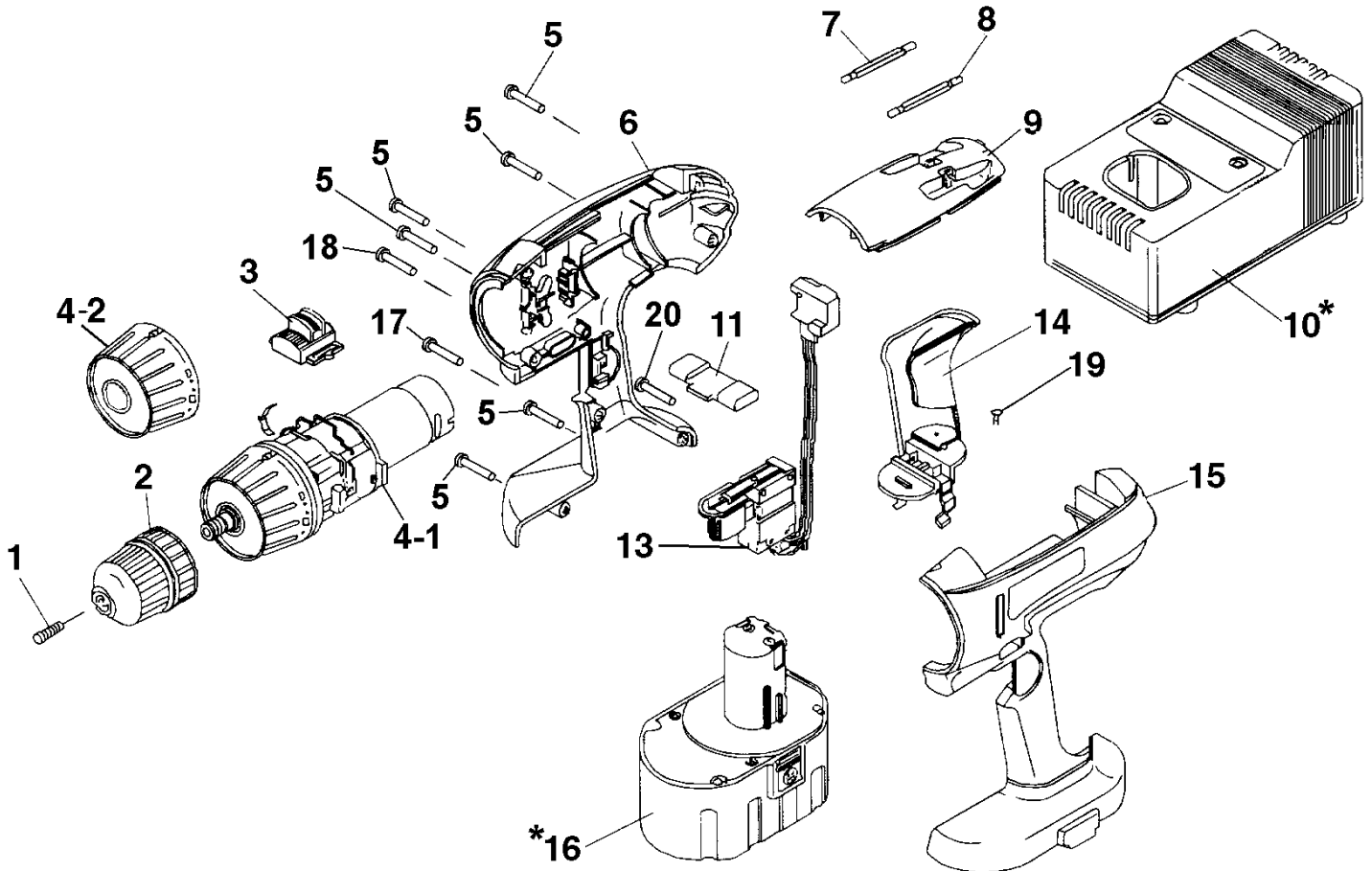
Cordless Drill Kits Ens. de Perceuse Sans Fil



Revised/Revisé 08/2008

12V, 14V, 18V & 20.4V Diagram /
Diagramme pour 12V, 14V, 18V, 20.4V

8312/14/18/21





8312 (12V)

Diag.	Order # Com.	English Description	Description Française	Qty./Qté.	Price/Prix
1	4283120010	CHUCK SCREW	VIS DU MANDRIN	1	\$2.82
2	4283120020	3/8" KEYLESS CHUCK	MANDRIN SANS CLE 3/8"	1	\$32.95
3	4283120030	BUTTON SELECTOR (2-SPEED)	BOUTON SELECTEUR (2 VITESSES)	1	\$4.54
4-1	4283120041	RETAINING JOINT	JOINT DE RETENU	1	\$4.54
4-2	4283120042	FORCE SELECTOR	SELECTEUR DE PUISSANCE	1	\$7.88
5	4283120050	TAPPING SCREW	VIS AUTOTARAUDEUSE	6	\$1.67
6	4283120060	RIGHT HOUSING	BOITIER DROIT	1	\$15.93
7	4283120070	SLOTTED SCREWDRIVER TIP	EMBOU A RAINURE	1	\$2.13
8	4283120080	PHILIPS SCREWDRIVER TIP	EMBOU CRUCIFORME	1	\$2.13
9	4283120090	TOP COVER (BIT HOLDER)	COUVERCLE DU HAUT	1	\$6.61
10	KCG-12V	CHARGER	CHARGEUR	1	-
11	4283120110	FWD/REV SELECTOR	SELECTEUR AVANT /ARRIERE	1	\$4.54
13	4283120130	VAR. SWITCH W/BRAKE ASS'Y	INTERRUPTEUR VAR. A/FREIN ASS.	1	\$34.21
14	4283120140	HANDLE COVER	COUVERCLE DE LA POIGNEE	1	\$10.06
15	4283120150	LEFT HOUSING	BOITIER GAUCHE	1	\$15.93
16	KBT-12V	BATTERY	PILE	2	-
17	4283120170	TAPPING SCREW	VIS AUTOTARAUDEUSE	1	\$1.44
18	4283120180	TAPPING SCREW	VIS AUTOTARAUDEUSE	1	\$1.55
19	4283120190	PLASTIC RIVET	RIVET PLASTIQUE	1	\$1.44
20	4283120200	TAPPING SCREW	VIS AUTOTARAUDEUSE	1	\$1.50
	428312MBIL	BILINGUAL MANUAL 8312/14/18/21	MANUEL BILINGUE 8312/14/18/21	1	\$15.00

8314 (14V)

Diag.	Order # Com.	English Description	Description Française	Qty./Qté.	Price/Prix
1	4283140010	CHUCK SCREW	VIS DU MANDRIN	1	\$2.82
2	4283140020	3/8" KEYLESS CHUCK	MANDRIN SANS CLE 3/8"	1	\$32.95
3	4283140030	BUTTON SELECTOR (2-SPEED)	BOUTON SELECTEUR (2 VITESSES)	1	\$4.54
4-1	4283140041	RETAINING JOINT	JOINT DE RETENU	1	\$4.54
4-2	4283140042	FORCE SELECTOR	SELECTEUR DE PUISSANCE	1	\$7.88
5	4283140050	TAPPING SCREW	VIS AUTOTARAUDEUSE	6	\$1.67
6	4283140060	RIGHT HOUSING	BOITIER DROIT	1	\$15.93
7	4283140070	SLOTTED SCREWDRIVER TIP	EMBOU A RAINURE	1	\$2.13
8	4283140080	PHILIPS SCREWDRIVER TIP	EMBOU CRUCIFORME	1	\$2.13
9	4283140090	TOP COVER (BIT HOLDER)	COUVERCLE DU HAUT	1	\$6.61
10	KCG-14V	CHARGER	CHARGEUR	1	-
11	4283140110	FWD/REV SELECTOR	SELECTEUR AVANT /ARRIERE	1	\$4.54
13	4283140130	VAR. SWITCH W/BRAKE ASS'Y	INTERRUPTEUR VAR. A/FREIN ASS.	1	\$34.21
14	4283140140	HANDLE COVER	COUVERCLE DE LA POIGNEE	1	\$10.06
15	4283140150	LEFT HOUSING	BOITIER GAUCHE	1	\$15.93
16	KBT-14V	BATTERY	PILE	2	-
17	4283140170	TAPPING SCREW	VIS AUTOTARAUDEUSE	1	\$1.50
18	4283140180	TAPPING SCREW	VIS AUTOTARAUDEUSE	1	\$1.55
19	4283140190	PLASTIC RIVET	RIVET PLASTIQUE	1	\$1.44
20	4283140200	TAPPING SCREW	VIS AUTOTARAUDEUSE	1	\$1.50
	428312MBIL	BILINGUAL MANUAL 8312/14/18/21	MANUEL BILINGUE 8312/14/18/21	1	\$15.00

**8318 (18V)**

Diag.	Order # Com.	English Description	Description Française	Qty./Qté.	Price/Prix
1	4283180010	CHUCK SCREW	VIS DU MANDRIN	1	\$3.05
2	4283180020	1/2" KEYLESS CHUCK	MANDRIN SANS CLE 1/2"	1	\$52.84
3	4283180030	BUTTON SELECTOR (2-SPEED)	BOUTON SELECTEUR (2 VITESSES)	1	\$4.54
4-1	4283180041	RETAINING JOINT	JOINT DE RETENU	1	\$4.54
4-2	4283180042	FORCE SELECTOR	SELECTEUR DE PUISSANCE	1	\$7.88
5	4283180050	TAPPING SCREW	VIS AUTOTARAUDEUSE	6	\$1.67
6	4283180060	RIGHT HOUSING	BOITIER DROIT	1	\$15.93
7	4283180070	SLOTTED SCREWDRIVER TIP	EMBOUT A RAINURE	1	\$2.13
8	4283180080	PHILIPS SCREWDRIVER TIP	EMBOUT CRUCIFORME	1	\$2.13
9	4283180090	TOP COVER (BIT HOLDER)	COUVERCLE DU HAUT	1	\$6.61
10	KCG-18V	CHARGER	CHARGEUR	1	-
11	4283180110	FWD/REV SELECTOR	SELECTEUR AVANT /ARRIERE	1	\$4.54
13	4283180130	VAR. SWITCH W/BRAKE ASS'Y	INTERRUPTEUR VAR. A/FREIN ASS.	1	\$41.11
14	4283180140	HANDLE COVER	COUVERCLE DE LA POIGNEE	1	\$10.06
15	4283180150	LEFT HOUSING	BOITIER GAUCHE	1	\$15.93
16	KBT-18V	BATTERY	PILE	2	-
17	4283180170	TAPPING SCREW	VIS AUTOTARAUDEUSE	1	\$1.50
18	4283180180	TAPPING SCREW	VIS AUTOTARAUDEUSE	1	\$1.55
19	4283180190	PLASTIC RIVET	RIVET PLASTIQUE	1	\$1.44
20	4283180200	TAPPING SCREW	VIS AUTOTARAUDEUSE	1	\$1.50
	428312MBIL	BILINGUAL MANUAL 8312/14/18/21	MANUEL BILINGUE 8312/14/18/21	1	\$15.00

8321 (20.4V)

Diag.	Order # Com.	English Description	Description Française	Qty./Qté.	Price/Prix
1	4283210010	CHUCK SCREW	VIS DU MANDRIN	1	\$3.05
2	4283210020	1/2" KEYLESS CHUCK	MANDRIN SANS CLE 1/2"	1	\$52.84
3	4283210030	BUTTON SELECTOR (2-SPEED)	BOUTON SELECTEUR (2 VITESSES)	1	\$4.54
4-1	4283210041	RETAINING JOINT	JOINT DE RETENU	1	\$4.54
4-2	4283210042	FORCE SELECTOR	SELECTEUR DE PUISSANCE	1	\$7.88
5	4283210050	TAPPING SCREW	VIS AUTOTARAUDEUSE	6	\$1.67
6	4283210060	RIGHT HOUSING	BOITIER DROIT	1	\$15.93
7	4283210070	SLOTTED SCREWDRIVER TIP	EMBOUT A RAINURE	1	\$2.13
8	4283210080	PHILIPS SCREWDRIVER TIP	EMBOUT CRUCIFORME	1	\$2.13
9	4283210090	TOP COVER (BIT HOLDER)	COUVERCLE DU HAUT	1	\$6.61
10	KCG-20V	CHARGER	CHARGEUR	1	-
11	4283210110	FWD/REV SELECTOR	SELECTEUR AVANT /ARRIERE	1	\$4.54
13	4283210130	VAR. SWITCH W/BRAKE ASS'Y	INTERRUPTEUR VAR. A/FREIN ASS.	1	\$41.11
14	4283210140	HANDLE COVER	COUVERCLE DE LA POIGNEE	1	\$10.06
15	4283210150	LEFT HOUSING	BOITIER GAUCHE	1	\$15.93
16	KBT-20V	BATTERY	PILE	2	-
17	4283210170	TAPPING SCREW	VIS AUTOTARAUDEUSE	1	\$1.50
18	4283210180	TAPPING SCREW	VIS AUTOTARAUDEUSE	1	\$1.55
19	4283210190	PLASTIC RIVET	RIVET PLASTIQUE	1	\$1.44
20	4283210200	TAPPING SCREW	VIS AUTOTARAUDEUSE	1	\$1.50
	428312MBIL	BILINGUAL MANUAL 8312/14/18/21	MANUEL BILINGUE 8312/14/18/21	1	\$15.00

Free Manuals Download Website

<http://myh66.com>

<http://usermanuals.us>

<http://www.somanuals.com>

<http://www.4manuals.cc>

<http://www.manual-lib.com>

<http://www.404manual.com>

<http://www.luxmanual.com>

<http://aubethermostatmanual.com>

Golf course search by state

<http://golfingnear.com>

Email search by domain

<http://emailbydomain.com>

Auto manuals search

<http://auto.somanuals.com>

TV manuals search

<http://tv.somanuals.com>