



Service Manual / Manuel de Service

Gearhead Milling Drilling Machine

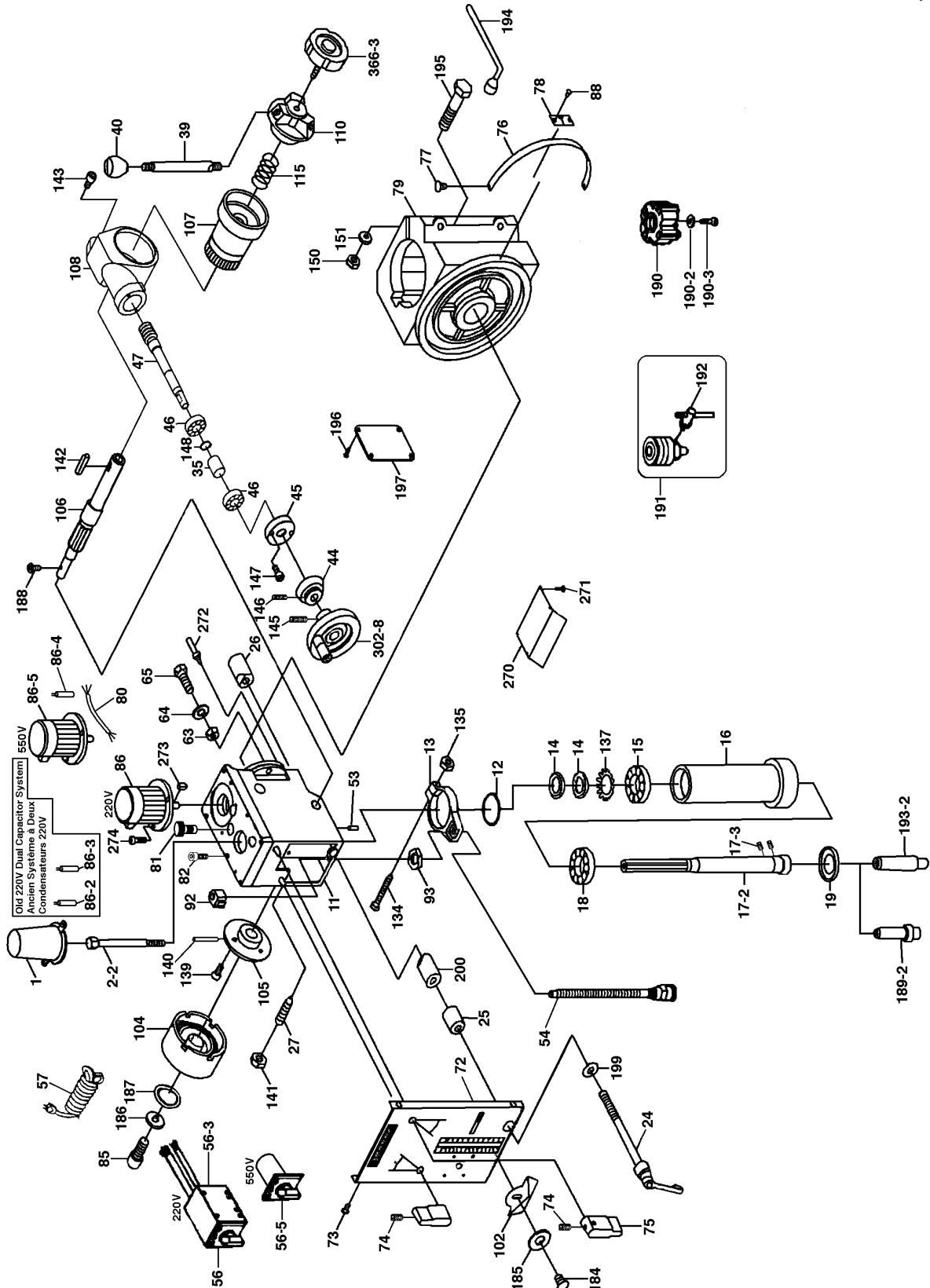
Perceuse et Fraiseuse avec Tête à Engrenage



Revised/Revisé 08/2008

Main Diagram / Diagramme Principale

KC-40HC(-5)





Service Manual / Manuel de Service

Gearhead Milling Drilling Machine

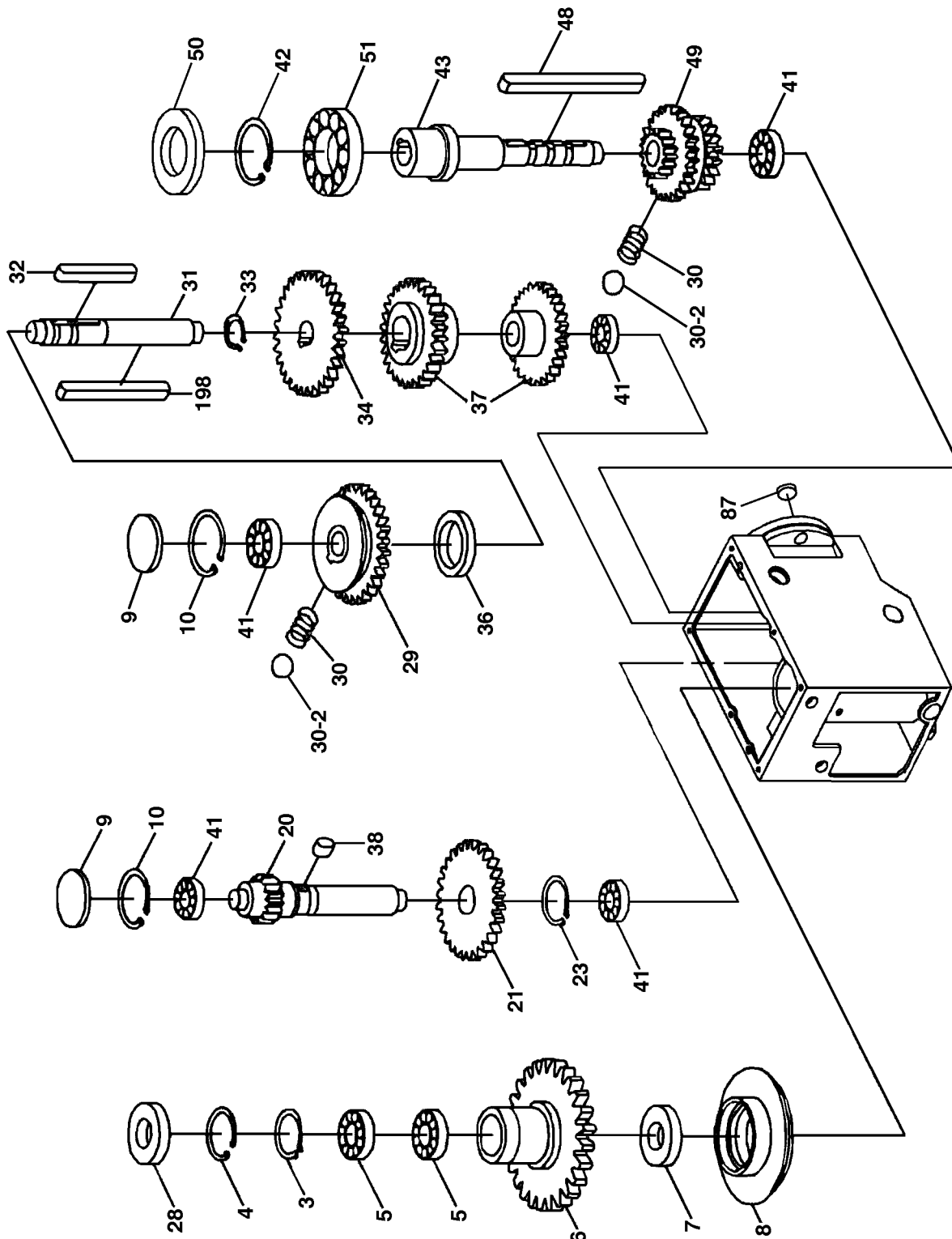
Perceuse et Fraiseuse avec Tête à Engrenage



Revised/Revisé 08/2008

Gear Box Diagram / Diagramme du Boîtier D'Engrenage

KC-40HC(-5)





Service Manual / Manuel de Service

Gearhead Milling Drilling Machine

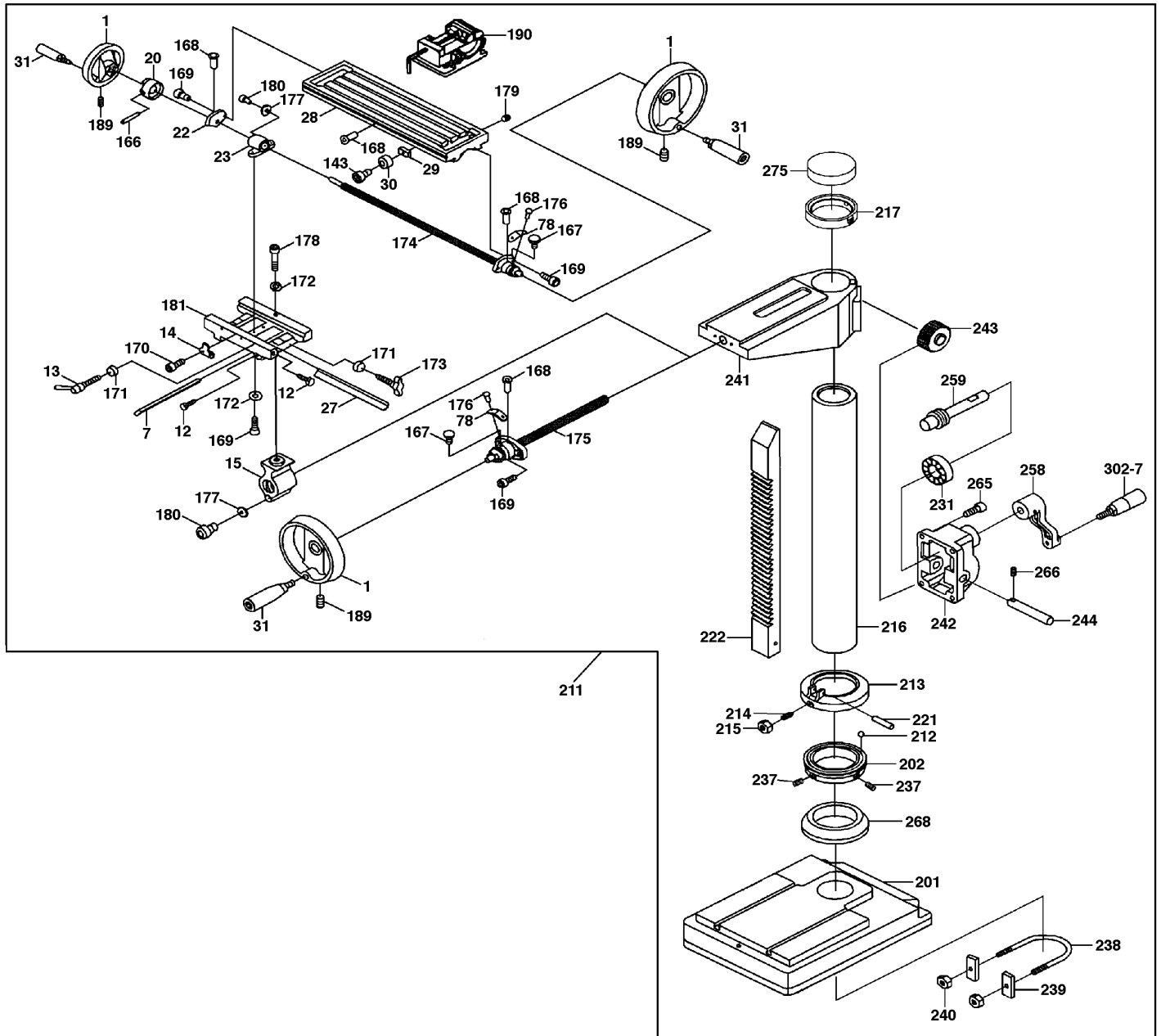
Perceuse et Fraiseuse avec Tête à Engrenage



Revised/Revisé 08/2008

Work Table & Column Diagram / Diagramme du Table de Travail et du Colonne

KC-40HC(-5)





® Parts Pricing List / Liste de Prix des Pièces **KC-40HC(-5)**

Diag.	Order # Com.	English Description	Description Française	Qty./Qté.	Price/Prix
1	1204000010	ARBOR BOLT COVER	COUVERT DU BOULON DE L'ARBRE	1	\$11.44
2-2	1204000022	CHUCK ARBOR BOLT	BOULON DE L'ARBRE	1	\$52.84
3	1204000030	RETAINING RING/SHAFT	ANNEAU DE RETENU/TIGE	1	\$2.93
4	1204000040	RETAINING RING/BORE	ANNEAU DE RETENU/ALESAGE	1	\$3.28
5	1204000050	BALL BEARING	ROULEMENT A BILLES	2	\$34.33
6	1204000060	SPINDLE SLEEVE GEAR	ENGRENAGE DE L'AXE	1	\$224.25
7	1204000070	OIL SEAL	JOINT D'ETANCHEITE	1	\$20.64
8	1204000080	SEAL RETAINER	SOUTENEUR DE JOINT D'ETANCHEITE	1	\$50.54
9	1204000090	CAP	COUVERCLE	2	\$6.84
10	1204000100	RETAINING RING/BORE	ANNEAU DE RETENU/ALESAGE	2	\$2.59
11	1204000110	HEAD BODY	CORPS DE LA TETE	1	\$1,109.75
12	1204000120	RUBBER FLANGE	BRIDE EN CAOUTCHOUC	1	\$7.99
13	1204000130	FEED BASE	BASE DE L'AXE	1	\$63.08
14	1204000140	LOCK NUT	ECROU DE BLOCAGE	2	\$13.63
15	1204000150	TAPER ROLLER BEARING	ROULEMENT CONIQUE	1	\$98.61
16	1204000160	RACK SLEEVE	FOURREAU DE L'AXE	1	\$218.44
17-2	1204000172	SPINDLE SHAFT	TIGE DE L'ARBRE	1	\$344.60
17-3	1204000173	SET SCREW	VIS SANS TETE	2	\$1.78
18	1204000180	TAPER ROLLER BEARING	ROULEMENT CONIQUE	1	\$113.45
19	1204000190	BEARING CAP	COUVERCLE DU ROULEMENT	1	\$11.10
20	1204000200	GEAR SHAFT	TIGE A ENGRENAGE	1	\$201.25
21	1204000210	GEAR	ENGRENAGE	1	\$143.75
23	1204000230	RETAINING RING/SHAFT	ANNEAU DE RETENU/TIGE	1	\$2.24
24	1204000240	HANDLE ROD	TIGE DE LA POIGNEE	1	\$34.44
25	1204000250	FIXED TIGHT COLLAR	COLLIER DE FIXATION	1	\$11.44
26	1204000260	FIXED TIGHT COLLAR (THREADED)	COLLIER DE FIXATION FILLETTE	1	\$12.59
27	1204000270	STUDDERED SET SCREW	VIS SANS TETE AVEC TIGE	1	\$4.31
28	1204000280	OIL SEAL	JOINT D'ETANCHEITE	1	\$26.39
29	1204000290	GEAR	ENGRENAGE	1	\$373.75
30	1204000300	SPRING	RESSORT	2	\$5.69
30-2	1204000302	STEEL BALL	BILLE D'ACIER	2	\$2.59
31	1204000310	GEAR SHAFT	TIGE A ENGRENAGE	1	\$155.25
32	1204000320	KEY	CLE DE RETENUE	1	\$2.47
33	1204000330	RETAINING RING/SHAFT	ANNEAU DE RETENU/TIGE	1	\$2.24
34	1204000340	GEAR	ENGRENAGE	1	\$189.75
35	1204000350	BEARING SPACER	ESPACEUR DU ROULEMENT	1	\$11.44
36	1204000360	SLEEVE	ESPACEUR	1	\$7.99
37	1204000370	GEAR	ENGRENAGE	1	\$195.44
38	1204000380	KEY	CLE DE RETENUE	1	\$1.78
39	1204000390	HANDLE ROD	TIGE DE LA POIGNEE	3	\$13.74
40	1204000400	KNOB	BOUTON	3	\$4.20
41	1204000410	BALL BEARING	ROULEMENT A BILLES	5	\$11.44
42	1204000420	RETAINING RING/BORE	ANNEAU DE RETENU/ALESAGE	1	\$3.68
43	1204000430	SHAFT	TIGE	1	\$97.69
44	1204000440	MICRO ADJ. INDICATOR	INDICATEUR IMPERIAL	1	\$52.84
45	1204000450	WORM COVER	COUVERCLE DE L'ENGRENAGE	1	\$11.44
46	1204000460	BALL BEARING	ROULEMENT A BILLES	2	\$11.44

Pricing subject to change without prior notice. / Prix sujet à changement sans préavis.



® Parts Pricing List / Liste de Prix des Pièces **KC-40HC(-5)**

Diag.	Order # Com.	English Description	Description Française	Qty./Qté.	Price/Prix
47	1204000470	WORM SHAFT	TIGE A ENGRENAGE SANS FIN	1	\$63.19
48	1204000480	KEY	CLE DE RETENUE	1	\$2.70
49	1204000490	GEAR ASS'Y	ENGRENAGE ASSEMBLE	1	\$212.75
50	1204000500	OIL SEAL	JOINT D'ETANCHEITE	1	\$22.94
51	1204000510	BALL BEARING	ROULEMENT A BILLES	1	\$20.41
53	1204000530	OIL DRAIN PLUG	BOUCHON DE VIDANGE D'HUILE	2	\$4.31
54	1204000540	GRADUATED ROD	TIGE GRADUEE	1	\$63.19
56	1204000560	F/R SWITCH ASS'Y (220V)	INTERRUPTEUR ASS. A/R (220V)	1	\$224.19
56-3	1204000563	SWITCH BOX	BOITE POUR L'INTERRUPTEUR	1	\$103.44
56-5	1204000565	F/R SWITCH ASS'Y (550V)	INTERRUPTEUR ASS. A/R (550V)	1	\$249.95
57	1204000570	POWER CORD	CORDON D'ALIMENTATION	1	\$34.44
63	1204000630	NYLON HEX. NUT	ECROU HEXAGONAL AVEC NYLON	3	\$2.24
64	1204000640	SPECIAL WASHER	RONDELLE SPECIALE	3	\$2.70
65	1204000650	HEX. BOLT	BOULON HEXAGONAL	3	\$3.28
72	1204000720	CONTROL PANEL PLATE	PLAQUE DU PANNEAU DE CONTROLE	1	\$51.69
73	1204000730	PAN HD SCREW	VIS A TETE BOMBEE	4	\$1.55
74	1204000740	SET SCREW	VIS SANS TETE	4	\$1.67
75	1204000750	SPEED LEVER	LEVIER DE VITESSE	2	\$24.90
76	1204000760	DEGREE METER	REGLE DE DEGRES	1	\$4.20
77	1204000770	PAN HD SCREW	VIS A TETE BOMBEE	2	\$1.55
78	1204000780	HEAD ANGLE INDICATOR	INDICATEUR DE DEGRES DE LA TETE	1	\$3.74
79	1204000790	COLUMN BRACKET	SUPPORT DE COLONNE	1	\$385.25
80	1204000800	MOTOR TO SWITCH CORD	CORDON DU MOTEUR A L'INTERR.	1	\$20.64
81	1204000810	OIL FILLER	BOUCHON D'ALIMENTION D'HUILE	2	\$4.54
82	1204000820	CAP SCREW	BOULON A TET CYLINDRIQUE	6	\$2.01
85	1204000850	CAP SCREW	BOULON A TETE CYLINDRIQUE	1	\$2.01
86	1204000860	MOTOR (220V)	MOTEUR (220V)	1	\$684.25
86-2	1204000862	STARTING CAPACITOR (220V)	CONDENSATEUR DE DEMAR. (220V)	1	\$34.21
86-3	1204000863	RUNNING CAPACITOR (220V)	CONDENSATEUR D'OPERATION (220V)	1	\$68.94
86-4	1204000864	STARTING CAPACITOR (550V)	CONDENSATEUR DE DEMAR. (550V)	1	\$45.94
86-5	1204000865	MOTOR (550V)	MOTEUR (550V)	1	\$545.00
87	1204000870	OIL SIGHT GLASS	INDICATEUR D'HUILE	1	\$11.44
88	1204000880	RIVET	RIVET	2	\$1.55
92	1204000920	SET POSITION BLOCK	CUBE DE POSITION	1	\$26.39
93	1204000930	LOCK NUT	ECROU DE BLOCAGE	1	\$6.27
102	1204001020	LIMIT PLATE	PLAQUE D'ARRET	4	\$4.31
104	1204001040	SPRING AND COVER	RESSORT & COUVERCLE	1	\$57.21
105	1204001050	SPRING BASE	BASE DU RESSORT	1	\$29.84
106	1204001060	PINION SHAFT	TIGE DU PIGNON	1	\$143.75
107	1204001070	WORM GEAR	ENGRENAGE SANS FIN	1	\$74.69
108	1204001080	FEED COVER	BOITIER DE L'ENTRAINEUR MANUEL	1	\$63.19
110	1204001100	HANDLE BASE	SUPPORT DES TIGES	1	\$73.31
115	1204001150	SPRING	RESSORT	1	\$5.58
134	1204001340	HEX. BOLT	BOULON HEXAGONAL	1	\$1.84
135	1204001350	HEX. NUT	ECROU HEXAGONAL	1	\$1.55
137	1204001370	TOOTHED WASHER	RONDELLE ETOILEE	1	\$4.20
139	1204001390	PAN HD SCREW	VIS A TETE BOMBEE	3	\$1.67

Pricing subject to change without prior notice. / Prix sujet à changement sans préavis.



Parts Pricing List / Liste de Prix des Pièces **KC-40HC(-5)**

Diag.	Order # Com.	English Description	Description Française	Qty./Qté.	Price/Prix
140	1204001400	SPRING PIN	GOUPILLE A RESSORT	2	\$1.67
141	1204001410	HEX. NUT	ECROU HEXAGONAL	1	\$1.61
142	1204001420	KEY	CLE DE RETENUE	1	\$2.24
143	1204001430	CAP SCREW	BOULON A TETE CYLINDRIQUE	2	\$2.07
145	1204001450	SET SCREW	VIS SANS TETE	1	\$1.67
146	1204001460	SET SCREW	VIS SANS TETE	1	\$1.55
147	1204001470	CAP SCREW	BOULON A TETE CYLINDRIQUE	2	\$1.67
148	1204001480	RETAINING RING/SHAFT	ANNEAU DE RETENU/TIGE	1	\$1.55
150	1204001500	HEX. NUT	ECROU HEXAGONAL	4	\$2.13
151	1204001510	WASHER	RONDELLE	4	\$2.82
184	1204001840	PAN HD SCREW	VIS A TETE BOMBEE	1	\$1.67
185	1204001850	WASHER	RONDELLE	1	\$1.55
186	1204001860	SPRING WASHER	RONDELLE RESSORT	1	\$1.55
187	1204001870	WASHER	RONDELLE	1	\$2.59
188	1204001880	COUNTERSUNK HD SCREW	VIS A TETE FRAISEE	1	\$1.55
189-2	1204001892	CUTTER ARBOR	ARBRE DE LA TETE DE COUPE	1	\$68.94
190	1204001900	CUTTERHEAD (4 KNIVES)	TETE DE COUPE (4 COUTEAUX)	1	\$149.44
190-2	1204001902	CUTTERHEAD WASHER	RONDELLE SPECIALE	1	\$3.16
190-3	1204001903	CUTTERHEAD CAP SCREW	BOULON A TETE CYLINDRIQUE	1	\$2.24
191	KDC-12M	CHUCK & KEY	MANDRIN & CLE	1	-
192	1204001920	CHUCK KEY	CLE DE MANDRIN	1	\$13.80
193-2	1204001932	CHUCK ARBOR	ARBRE DU MANDRIN	1	\$65.49
194	1204001940	LOCK HANDLE	POIGNEE DE VERROUILLAGE	1	\$37.89
195	1204001950	HEX. BOLT	BOULON HEXAGONAL	2	\$5.46
196	1204001960	PAN HD SCREW	VIS A TETE BOMBEE	4	\$1.61
197	1204001970	ROLLER COVER	COUVERCLE DU SUPPORT DE COL.	1	\$13.74
198	1204001980	KEY	CLE DE RETENUE	1	\$2.70
199	1204001990	WASHER	RONDELLE	1	\$1.90
200	1204002000	FIXED TIGHT COLLAR	COLLIER DE FIXATION	1	\$6.84
201	1204002010	BASE	SOCLE	1	\$442.75
202	1204002020	BEARING COVER (LOWER)	COUVERCLE DU BAS DU ROULEMENT	1	\$109.19
212	1204002120	STEEL BALL	BILLE D'ACIER	40	\$3.62
213	1204002130	BEARING COVER (UPPER)	COUVERCLE DU HAUT DU ROULEMENT	1	\$103.33
214	1204002140	SET SCREW	VIS SANS TETE	2	\$2.13
215	1204002150	HEX. NUT	ECROU HEXAGONAL	2	\$1.55
216	1204002160	COLUMN	COLONNE	1	\$994.75
217	1204002170	RACK COLLAR	COLLET DE CREMAILLIERE	1	\$68.94
221	1204002210	SPRING PIN	GOUPILLE A RESSORT	1	\$2.13
222	1204002220	RACK	CREMAILLIERE	1	\$114.94
231	1204002310	THRUST BEARING	ROULEMENT A BUTEE	1	\$76.88
237	1204002370	SET SCREW	VIS SANS TETE	2	\$3.62
238	1204002380	"U" BOLT	BOULON EN "U"	1	\$39.96
239	1204002390	FIXED BLOCK	CUBE DE FIXATION	2	\$26.39
240	1204002400	HEX. NUT	ECROU HEXAGONAL	2	\$1.67
242	1204002420	PULL DOWN WITH STAND	SUPPORT D'ELEVATION	1	\$189.75
243	1204002430	WORM GEAR	ENGRENAGE	1	\$97.69
244	1204002440	WORM SHAFT	TIGE DE L'ENGRENAGE	1	\$17.19

Pricing subject to change without prior notice. / Prix sujet à changement sans préavis.



® Parts Pricing List / Liste de Prix des Pièces **KC-40HC(-5)**

Diag.	Order # Com.	English Description	Description Française	Qty./Qté.	Price/Prix
258	1204002580	UP-DOWN HANDLE	MANIVELLE D'ELEVATION	1	\$28.69
259	1204002590	WORM SHAFT	TIGE DE L'ENGRENAGE	1	\$86.19
265	1204002650	CAP SCREW	BOULON A TETE CYLINDRIQUE	4	\$1.90
266	1204002660	SET SCREW	VIS SANS TETE	1	\$1.55
268	1204002680	BUSHING BRACKET	SUPPORT ESPACEUR	1	\$91.94
270	1204002700	DUST PLATE	PLAQUE ANTI-POUSSIERE	1	\$62.96
271	1204002710	PAN HD SCREW	VIS A TETE BOMBEE	4	\$1.55
272	1204002720	MITER PIN	GOUPILLE D'ANGLE	1	\$7.99
273	1204002730	KEY	CLE DE RETENUE	1	\$2.13
274	1204002740	CAP SCREW	BOULON A TETE CYLINDRIQUE	4	\$2.24
275	1204002750	COLUMN HEAD CAP	CAPUCHON DE LA TETE DE COLONNE	1	\$40.19
302-7	1204003027	HANDLE	POIGNEE	1	\$14.89
302-8	1204003028	HANDWHEEL	MANIVELLE	1	\$25.13
366-3	1204003663	LOCK BOLT WITH KNOB	BOUTON DE VEROUILLAGE	1	\$9.72

Work Table Cross Slide Parts / Pièces du Table de Travail Système Coulissant

Diag.	Order # Com.	English Description	Description Française	Qty./Qté.	Price/Prix
1	1200408001	TABLE HANDLEWHEEL	MANIVELLE DE LA TABLE	3	\$68.71
7	1200408007	GIB STRIP	GLISSIERE	1	\$43.53
12	1200408012	GIB STRIP BOLT	BOULON DE LA GLISSIERE	2	\$4.54
13	1200408013	LEAF SCREW	VIS PAPILLON	2	\$20.64
14	1200408014	MOVABLE FIXED BLOCK	PLAQUE D'ARRET DE MOUVEMENT	1	\$11.44
15	1200408015	TABLE BASE NUT	ECROU DE LA TABLE	1	\$72.39
20	1200408020	TABLE CLUTCH	EMBRAYAGE DE LA TABLE	1	\$68.83
22	1200408022	LEFT FLANGE	SUPPORT GAUCHE	1	\$26.39
23	1200408023	TABLE NUT	ECROU DE LA TABLE	1	\$85.96
27	1200408027	GIB STRIP	GLISSIERE	1	\$51.58
28	1200408028	TABLE	TABLE	1	\$736.00
29	1200408029	FIXED BLOCK	SUPPORT D'ARRET	2	\$6.04
30	1200408030	SPACER	ESPACEUR	2	\$5.46
31	1200408031	COMPLETE HANDLE	POIGNEE COMPLETE	3	\$12.59
78	1200408078	ZERO LIMIT PLATE	PLAQUE D'IDENTIFICATION ZERO	2	\$4.31
143	1200408143	CAP SCREW	BOULON A TETE CYLINDRIQUE	2	\$1.90
166	1200408166	SPRING PIN	GOUPILLE A RESSORT	3	\$1.67
167	1200408167	DIAL CLUTCH SCREW	VIS DE L'INDICATEUR	2	\$3.39
168	1200408168	OILER	HUILIER	5	\$2.47
169	1200408169	CAP SCREW	BOULON A TETE CYLINDRIQUE	8	\$1.67
170	1200408170	CAP SCREW	BOULON A TETE CYLINDRIQUE	2	\$1.90
171	1200408171	BRASS DISC	DISQUE EN LAITON	4	\$6.84
172	1200408172	SPRING WASHER	RONDELLE RESSORT	3	\$1.67
173	1200408173	LOCK KNOB	BOUTON DE VEROUILLAGE	2	\$6.73
174	1200408174	COMPLETE TABLE THREADED SHAFT	TIGE FILETEE DE LA TABLE COMP.	1	\$224.25
175	1200408175	COMPLETE ACME THREADED SHAFT	TIGE FILETEE ACME COMPLETE	1	\$327.75
176	1200408176	RIVET	RIVET	4	\$1.55
177	1200408177	SPRING WASHER	RONDELLE A RESSORT	2	\$1.55
178	1200408178	CAP SCREW	BOULON A TETE CYLINDRIQUE	1	\$2.70
179	1200408179	PLUG	BOUCHON	1	\$3.16

Pricing subject to change without prior notice. / Prix sujet à changement sans préavis.



® Parts Pricing List / Liste de Prix des Pièces **KC-40HC(-5)**

Diag.	Order # Com.	English Description	Description Française	Qty./Qté.	Price/Prix
180	1200408180	CAP SCREW	BOULON A TETE CYLINDRIQUE	2	\$2.01
181	1200408181	CENTER BASE	SOCLE DE CENTRE	1	\$327.75
189	1200408189	SET SCREW	VIS SANS TETE	3	\$1.67
190	1200408190	3" ANGLE VISE	ETAU A ANGLE 3"	1	\$133.34
211	1200408211	WORK TABLE CRS SL. & COL. BRACK.	TABLE DE TRAVAIL SYS. COUL./SUP./COL.	1	\$2,127.50
241	1200408241	TABLE BASE (COLUMN BRACKET)	SUPPORT DE COLONNE	1	\$833.75
	120400MENG	KC-40HC/HS ENGLISH MANUAL	KC-40HC/HS MANUEL ANGLAIS	1	\$15.00

Pricing subject to change without prior notice. / Prix sujet à changement sans préavis.

Free Manuals Download Website

<http://myh66.com>

<http://usermanuals.us>

<http://www.somanuals.com>

<http://www.4manuals.cc>

<http://www.manual-lib.com>

<http://www.404manual.com>

<http://www.luxmanual.com>

<http://aubethermostatmanual.com>

Golf course search by state

<http://golfingnear.com>

Email search by domain

<http://emailbydomain.com>

Auto manuals search

<http://auto.somanuals.com>

TV manuals search

<http://tv.somanuals.com>