



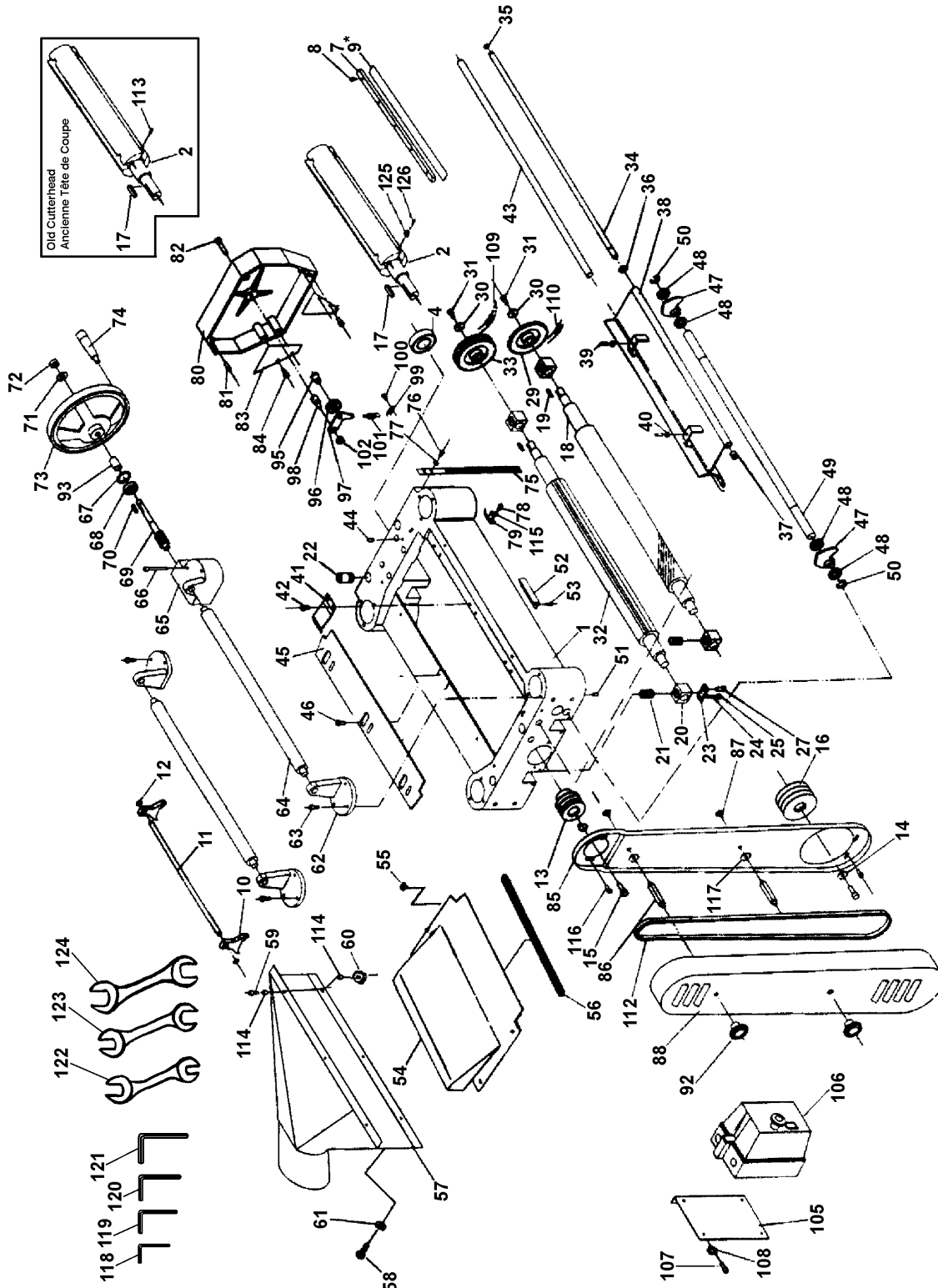
15" Planer Raboteuse 15"



Revised/Revisé 08/2008

Head Diagram / Diagramme de la Tête

KC-385FX





Service Manual / Manuel de Service

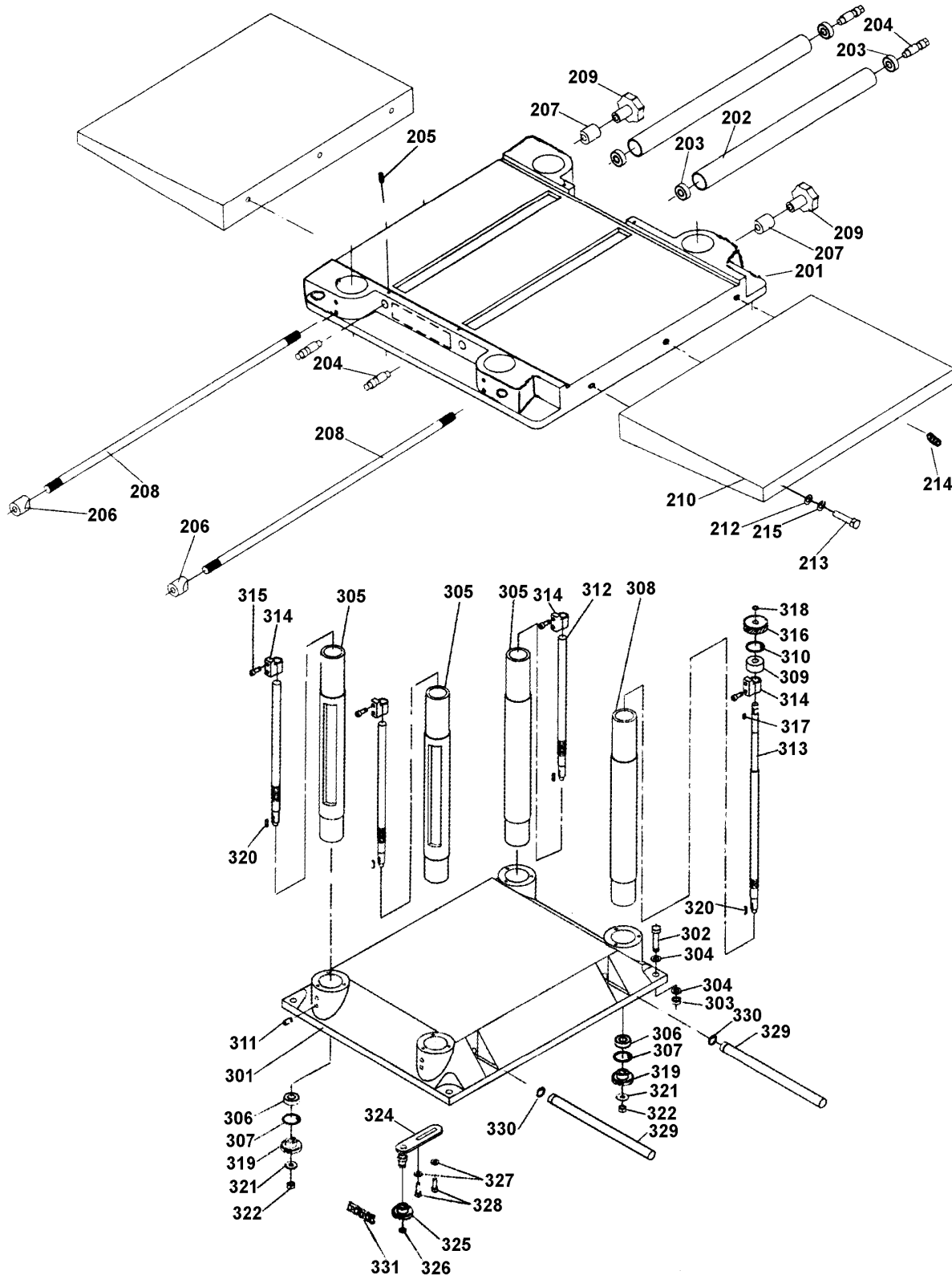
15" Planer Raboteuse 15"



Revised/Revisé 08/2008

Column Diagram / Diagramme des Colonnes

KC-385FX



Service Manual / Manuel de Service



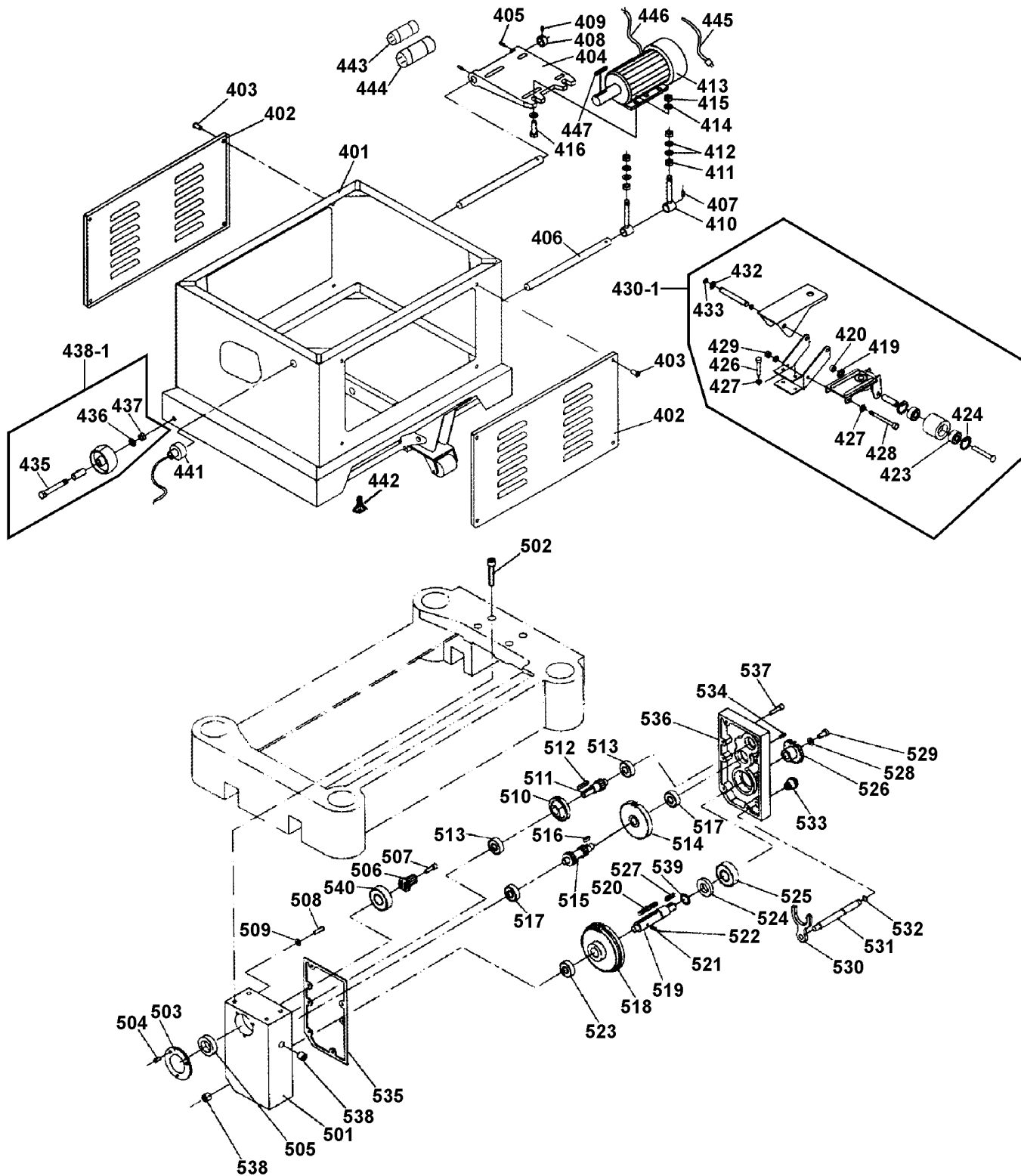
15" Planer Raboteuse 15"



Revised/Revisé 08/2008

Cabinet & Gear Box Diagram / Diagramme du Cabinet et du Boîtier D'Engrenage

KC-385FX





Parts Pricing List / Liste de Prix des Pièces **KC-385FX**

Diag.	Order # Com.	English Description	Description Française	Qty./Qté.	Price/Prix
1	4503850010	HEAD CASTING (SPECIAL ORDER)	TETE EN FONTE (COMM. SPECIALE)	1	\$454.25
2	4503850020	15" CUTTERHEAD (3 KNIVES)	TETE DE COUPE 15" (3 COUTEAUX)	1	\$270.25
4	4503850040	BALL BEARING	ROULEMENT A BILLES	1	\$21.68
7	4503850070	KNIFE LOCKING BAR	BARRE DE VERROUILLAGE	3	\$17.08
8	4503850080	KNIFE LOCKING BOLT	BOULON DE VERROUILLAGE	15	\$2.70
9	KKC-15	SET OF H.S.S. KNIVES (3)	JEU DE COUTEAUX EN ACIER (3)	1	-
10	4503850100	KNIFE GAUGE	JAUGE A COUTEAU	2	\$10.18
11	4503850110	KNIFE GAUGE ROD	TIGE DU JAUGE A COUTEAU	1	\$11.10
12	4503850120	RETAINING RING/SHAFT	ANNEAU DE RETENU/TIGE	2	\$1.55
13	4503850130	CUTTERHEAD PULLEY	POULIE DE LA TETE DE COUPE	1	\$27.43
14	4503850140	PULLEY WASHER	RONDELLE SPECIALE (LARGE)	2	\$3.16
15	4503850150	HEX. BOLT	BOULON HEXAGONAL	2	\$1.84
16	4503850160	MOTOR PULLEY	POULIE DU MOTEUR	1	\$34.21
17	4503850170	KEY	CLE DE RETENUE	2	\$2.59
18	4503850180	15" INFEEED ROLLER	ROULEAU D'ALIMENTATION 15"	1	\$148.35
19	4503850190	KEY	CLE DE RETENUE	2	\$2.01
20	4503850200	ROLLER BUSHING	SUPPORT DE ROULEAU	4	\$12.59
21	4503850210	ROLLER SPRING	RESSORT DES ROULEAUX	4	\$4.54
22	4503850220	HEADLESS ADJUST SCREW	VIS D'AJUSTEMENT SANS TETE	4	\$4.54
23	4503850230	SUPPORT PLATE	PLAQUE DE SOUTIEN	4	\$4.08
24	4503850240	SET SCREW	VIS SANS TETE	4	\$1.67
25	4503850250	HEX. NUT	ECROU HEXAGONAL	4	\$1.67
27	4503850270	HEX. BOLT	BOULON HEXAGONAL	4	\$2.07
29	4503850290	CHAIN SPROCKET	ENGRENAGE A PIGNON	1	\$38.93
30	4503850300	WASHER	RONDELLE	2	\$2.70
31	4503850310	HEX. BOLT	BOULON HEXAGONAL	2	\$1.67
32	4503850320	15" OUTFEED ROLLER	ROULEAU DE SORTIE 15"	1	\$125.35
33	4503850330	DOUBLE CHAIN SPROCKET	ENGRENAGE DOUBLE A PIGNON	1	\$67.56
34	4503850340	LOCKING SHAFT	TIGE DE VERROUILLAGE	1	\$14.66
35	4503850350	RETAINING RING/SHAFT	ANNEAU DE RETENU/TIGE	1	\$1.55
36	4503850360	SPRING WASHER	RONDELLE A RESSORT	1	\$1.67
37	4503850370	HEX. NUT	ECROU HEXAGONAL	1	\$1.78
38	4503850380	CHIPBREAKER	DEFLECTEUR DE COPEAUX	1	\$61.93
39	4503850390	SET SCREW	VIS SANS TETE	2	\$1.67
40	4503850400	HEX. NUT	ECROU HEXAGONAL	2	\$1.67
41	4503850410	SPRING PLATE	PLAQUE A RESSORT	3	\$4.54
42	4503850420	FLANGE HD BOLT	BOULON A TETE BRIDEE	6	\$2.01
43	4503850430	PIVOT ROD	TIGE DE PIVOTEMENT	1	\$15.58
44	4503850440	SET SCREW	VIS SANS TETE	1	\$1.67
45	4503850450	CHIP DEFLECTOR PLATE	PLAQUE DE DEFLECTION	1	\$21.56
46	4503850460	FLANGE HD BOLT	BOULON A TETE BRIDEE	3	\$2.01
47	4503850470	ANTI-KICK BACK FINGER	DOIGT ANTI-RECU	29	\$4.54
48	4503850480	SPACER	ESPACEUR	30	\$2.70
49	4503850490	FINGER SHAFT	TIGE DES DOIGTS	1	\$19.15
50	4503850500	RETAINING RING/SHAFT	ANNEAU DE RETENU	2	\$2.01
51	4503850510	SET SCREW	VIS SANS TETE	1	\$2.13
52	4503850520	CUT LIMIT PLATE	PLAQUE DE LIMITE DE COUPE	1	\$4.54

Pricing subject to change without prior notice. / Prix sujet à changement sans préavis.



Parts Pricing List / Liste de Prix des Pièces **KC-385FX**

Diag.	Order # Com.	English Description	Description Française	Qty./Qté.	Price/Prix
53	4503850530	COUNTERSUNK SCREW	VIS A TETE FRAISEE	2	\$1.67
54	4503850540	CUTTERHEAD COVER	COUVERCLE DE LA TETE DE COUPE	1	\$52.61
55	4503850550	FLANGE HD BOLT	BOULON A TETE BRIDEE	4	\$2.01
56	4503850560	FOAM	MOUSSE	1	\$3.39
57	4503850570	DUST HOOD	SORTIE DES COPEAUX	1	\$52.73
58	4503850580	CAP SCREW	BOULON A TETE CYLINDRIQUE	3	\$2.47
59	4503850590	HEX. BOLT	BOULON HEXAGONAL	3	\$1.61
60	4503850600	HEX. NUT	ECROU HEXAGONAL	3	\$1.67
61	4503850610	WASHER	RONDELLE	6	\$1.55
62	4503850620	ROLLER BRACKET	SUPPORT DU ROULEAU	3	\$19.49
63	4503850630	CAP SCREW	BOULON A TETE CYLINDRIQUE	9	\$2.47
64	4503850640	ROLLER	ROULEAU	2	\$29.84
65	4503850650	WORM GEAR HOUSING	BOITIER D'ENGRENAGE	1	\$68.83
66	4503850660	CAP SCREW	BOULON A TETE CYLINDRIQUE	3	\$3.05
67	4503850670	RETAINING RING/BORE	ANNEAU DE RETENU/ALESAGE	1	\$2.24
68	4503850680	BALL BEARING	ROULEMENT A BILLES	1	\$10.29
69	4503850690	WORM GEAR SHAFT	TIGE A ENGRENAGE SANS FIN	1	\$36.28
70	4503850700	KEY	CLE DE RETENUE	1	\$1.90
71	4503850710	WASHER	RONDELLE	1	\$1.90
72	4503850720	HEX. NUT	ECROU HEXAGONAL	1	\$1.78
73	4503850730	HANDWHEEL	MANIVELLE	1	\$45.94
74	4503850740	WHEEL HANDLE	POIGNEE DE LA MANIVELLE	1	\$12.25
75	4503850750	DEPTH SCALE	ECHELLE DE PROFONDEUR	1	\$5.23
76	4503850760	PAN HD SCREW	VIS A TETE BOMBEE	2	\$1.44
77	4503850770	WASHER	RONDELLE	2	\$1.55
78	4503850780	PAN HD SCREW	VIS A TETE BOMBEE	2	\$1.67
79	4503850790	POINTER	INDICATEUR	1	\$3.28
80	4503850800	CHAIN GEAR COVER	COUV. DES ENGRENAGES A CHAINE	1	\$65.26
81	4503850810	SPRING PIN	GOUPILLE A RESSORT	2	\$1.78
82	4503850820	CAP SCREW	BOULON A TETE CYLINDRIQUE	1	\$3.05
83	4503850830	SAFETY HATCH	PLAQUE DE SECURITE	2	\$5.58
84	4503850840	FLANGE HD BOLT	BOULON A TETE BRIDEE	4	\$1.67
85	4503850850	BELT GUARD (INSIDE)	PROTECTEUR DES COURROIES (INT.)	1	\$49.16
86	4503850860	SPACER BOLT	BOULON ESPACEUR	2	\$4.54
87	4503850870	COUNTERSUNK HD SCREW	VIS A TETE FRAISEE	2	\$1.78
88	4503850880	BELT GUARD (OUTSIDE)	PROTECTEUR DES COURROIES (EXT.)	1	\$80.33
92	4503850920	LOCK KNOB	BOUTON DE VERROUILLAGE	2	\$4.54
93	4503850930	SPACER	BAGUE ESPACEUR	1	\$3.16
95	4503850950	TENSION WHEEL SHAFT	TIGE DE LA ROUE DE TENSION	1	\$5.69
96	4503850960	TENSION WHEEL	ROUE DE TENSION	1	\$6.15
97	4503850970	WHEEL BRACKET	SUPPORT DE LA ROUE	1	\$5.58
98	4503850980	THREADED SHAFT	TIGE FILETEE	1	\$6.15
99	4503850990	HANGER	CROCHET	1	\$4.43
100	4503851000	CAP SCREW	BOULON A TETE CYLINDRIQUE	2	\$1.67
101	4503851010	SPRING	RESSORT	1	\$2.70
102	4503851020	SPACER	BAGUE ESPACEUR	1	\$2.70
105	4503851050	SWITCH PLATE	PLAQUE DE L'INTERRUPTEUR	1	\$15.58

Pricing subject to change without prior notice. / Prix sujet à changement sans préavis.



® Parts Pricing List / Liste de Prix des Pièces **KC-385FX**

Diag.	Order # Com.	English Description	Description Française	Qty./Qté.	Price/Prix
106	4503851060	MAGNETIC SWITCH	INTERRUPTEUR MAGNETIQUE	1	\$251.68
107	4503851070	CAP SCREW	BOULON A TETE CYLINDRIQUE	2	\$1.78
108	4503851080	WASHER	RONDELLE	2	\$1.55
109	4503851090	CHAIN	CHAINE	1	\$25.13
110	4503851100	CHAIN	CHAINE	1	\$17.19
112	4503851120	V-BELT	COURROIE EN "V"	3	\$21.79
113	4503851130	JACK SCREW	VIS D'ELEVATION	9	\$2.13
114	4503851140	WASHER	RONDELLE	6	\$1.61
115	4503851150	WASHER	RONDELLE	2	\$1.55
116	4503851160	FLANGE HD BOLT	BOULON A TETE BRIDEE	4	\$2.01
117	4503851170	WASHER	RONDELLE	2	\$1.61
118	4503851180	HEX. KEY (2.5MM)	CLE HEXAGONALE (2.5MM)	1	\$3.39
119	4503851190	HEX. KEY (3MM)	CLE HEXAGONALE (3MM)	1	\$2.59
120	4503851200	HEX. KEY (5MM)	CLE HEXAGONALE (5MM)	1	\$2.59
121	4503851210	HEX. KEY (6MM)	CLE HEXAGONALE (6MM)	1	\$2.93
122	4503851220	OPEN END WRENCH (10-12MM)	CLE OUVERTE (10-12MM)	1	\$4.43
123	4503851230	OPEN END WRENCH (14-17MM)	CLE OUVERTE (14-17MM)	1	\$6.61
124	4503851240	OPEN END WRENCH (17-19MM)	CLE OUVERTE (17-19MM)	1	\$4.89
125	4503851250	KNIFE LIFTER SLEEVE	BAGUE D'ELEVATION POUR COUTEAU	6	\$3.39
126	4503851260	ADJUSTING SCREW	VIS D'AJUSTEMENT	6	\$2.24
201	4503852010	WORKING TABLE (SPEC. ORDER)	TABLE DE RABOTAGE (COMM. SPEC.)	1	\$442.75
202	4503852020	TABLE ROLLER	ROULEAU DE LA TABLE	2	\$27.20
203	4503852030	BALL BEARING	ROULEMENT A BILLES	4	\$13.74
204	4503852040	ECCENTRIC LOCK SHAFT	TIGE EXCENTRIQUE DE VERROUILLAGE	4	\$10.98
205	4503852050	SET SCREW	VIS SANS TETE	4	\$1.61
206	4503852060	THREADED BUSHING	BAGUE FILETEE DE VERROUILLAGE	2	\$5.69
207	4503852070	LOCKSMITH BUSHING	BAGUE DE VERROUILLAGE	2	\$5.35
208	4503852080	LOCK SHAFT	TIGE FILETEE DE VERROUILLAGE	2	\$16.85
209	4503852090	LOCK KNOB	BOUTON DE VERROUILLAGE	2	\$11.21
210	4503852100	CAST IRON EXTENSION TABLE	TABLE D'EXTENSION EN FONTE D'ACIER	2	\$159.85
212	4503852120	WASHER	RONDELLE	6	\$1.55
213	4503852130	HEX. BOLT	BOULON HEXAGONAL	6	\$1.90
214	4503852140	SET SCREW	VIS SANS TETE	4	\$1.67
215	4503852150	SPRING WASHER	RONDELLE A RESSORT	6	\$1.67
301	4503853010	BASE (SPECIAL ORDER)	SOCLE (COMMANDE SPECIALE)	1	\$424.35
302	4503853020	HEX. BOLT	BOULON HEXAGONAL	4	\$2.19
303	4503853030	HEX. NUT	ECROU HEXAGONAL	4	\$1.78
304	4503853040	WASHER	RONDELLE	8	\$1.67
305	4503853050	COLUMN	COLONNE	3	\$100.80
306	4503853060	BALL BEARING	ROULEMENT A BILLES	4	\$11.44
307	4503853070	RETAINING RING/BORE	ANNEAU DE RETENU/ALESAGE	4	\$2.47
308	4503853080	HANDWHEEL COLUMN	COLONNE DE LA MANIVELLE	1	\$107.81
309	4503853090	BUSHING	BAGUE	1	\$5.69
310	4503853100	RETAINING RING/BORE	ANNEAU DE RETENU/ALESAGE	1	\$2.70
311	4503853110	SET SCREW	VIS SANS TETE	8	\$2.01
312	4503853120	LEAD SCREW	TIGE SANS FIN	3	\$45.60
313	4503853130	HANDWHEEL LEAD SCREW	TIGE FILETEE DE LA MANIVELLE	1	\$57.33
314	4503853140	ELEVATING NUT	ECROU POUR ELEVATION	4	\$9.03

Pricing subject to change without prior notice. / Prix sujet à changement sans préavis.



® Parts Pricing List / Liste de Prix des Pièces **KC-385FX**

Diag.	Order # Com.	English Description	Description Française	Qty./Qté.	Price/Prix
315	4503853150	CAP SCREW	BOULON A TETE CYLINDRIQUE	8	\$1.67
316	4503853160	WORM GEAR	ENGRENAGE SANS FIN	1	\$27.43
317	4503853170	KEY	CLE DE RETENUE	1	\$1.78
318	4503853180	RETAINING RING/SHAFT	ANNEAU DE RETENU/TIGE	1	\$1.50
319	4503853190	CHAIN SPROCKET	ENGRENAGE A PIGNON	4	\$16.85
320	4503853200	KEY	CLE DE RETENUE	4	\$1.67
321	4503853210	WASHER	RONDELLE	4	\$1.55
322	4503853220	HEX. NUT	ECROU HEXAGONAL	4	\$2.59
324	4503853240	SPROCKET BRACKET W/SHAFT	SUPPORT DE L'ENGRENAGE A/TIGE	1	\$16.04
325	4503853250	CHAIN SPROCKET	ENGRENAGE A PIGNON	1	\$15.93
326	4503853260	RETAINING RING/SHAFT	ANNEAU DE RETENU/TIGE	1	\$1.55
327	4503853270	WASHER	RONDELLE	2	\$1.67
328	4503853280	HEX. BOLT	BOULON HEXAGONAL	2	\$1.84
329	4503853290	LIFTING BAR	BARRE DE MANUTENTION	4	\$13.63
330	4503853300	"E" RETAINING RING	ANNEAU DE RETENU EN "E"	4	\$1.55
331	4503853310	ELEVATING CHAIN	CHAINE POUR ELEVATION	1	\$44.56
401	4503854010	STAND CABINET (SPECIAL ORDER)	CABINET SUPPORT (COMM. SPEC.)	1	\$442.75
402	4503854020	CABINET PANEL	PANNEAU DE CABINET	2	\$61.93
403	4503854030	ROUND HD HEX. SCREW	VIS TETE RONDE HEXAGONAL	8	\$1.78
404	4503854040	MOTOR MOUNT PLATE	PLAQUE DE MONTAGE DU MOTEUR	1	\$32.95
405	4503854050	SET SCREW	VIS SANS TETE	2	\$1.61
406	4503854060	MOTOR PLATE PIVOT ROD	TIGE DE PIVOTEMENT	2	\$13.63
407	4503854070	SET SCREW	VIS SANS TETE	1	\$1.55
408	4503854080	COLLAR BUSHING	COLLET ESPACEUR	1	\$4.20
409	4503854090	SET SCREW	VIS SANS TETE	1	\$1.55
410	4503854100	ADJUST BOLT	BOULON D'AJUSTEMENT	2	\$9.14
411	4503854110	HEX. NUT	ECROU HEXAGONAL	4	\$2.59
412	4503854120	WASHER	RONDELLE	4	\$1.61
413	4503854130	MOTOR	MOTEUR	1	\$343.85
414	4503854140	WASHER	RONDELLE	8	\$1.61
415	4503854150	HEX. NUT	ECROU HEXAGONAL	4	\$1.61
416	4503854160	HEX. BOLT	BOULON HEXAGONAL	4	\$2.19
419	4503854190	WASHER	RONDELLE	1	\$1.67
420	4503854200	NYLON HEX. NUT	ECROU HEXAGONAL AVEC NYLON	1	\$1.73
423	4503854230	BALL BEARING	ROULEMENT A BILLES	2	\$11.44
424	4503854240	RETAINING RING/BORE	ANNEAU DE RETENU/ALESAGE	2	\$2.59
426	4503854260	HEX. BOLT	BOULON HEXAGONAL	2	\$2.24
427	4503854270	WASHER	RONDELLE	3	\$1.67
428	4503854280	HEX. BOLT	BOULON HEXAGONAL	1	\$3.97
429	4503854290	HEX. NUT	ECROU HEXAGONAL	1	\$1.61
430-1	4503854301	RETRACTABLE WHEEL ASS'Y	ROUE RETRACTABLE ASSEMBLE	1	\$103.44
432	4503854320	WASHER	RONDELLE	2	\$1.67
433	4503854330	RETAINING RING/SHAFT	ANNEAU DE RETENU/TIGE	2	\$1.55
435	4503854350	HEX. BOLT	BOULON HEXAGONAL	2	\$3.74
436	4503854360	WASHER	RONDELLE	4	\$1.61
437	4503854370	HEX. NUT	ECROU HEXAGONAL	2	\$1.67
438-1	4503854381	REAR WHEEL ASS'Y	ROUE ARRIERE ASSEMBLEE	2	\$20.64
441	4503854410	STRAIN RELIEF	ATTACHE FIL	1	\$2.70

Pricing subject to change without prior notice. / Prix sujet à changement sans préavis.



Parts Pricing List / Liste de Prix des Pièces **KC-385FX**

Diag.	Order # Com.	English Description	Description Française	Qty./Qté.	Price/Prix
442	4503854420	RUBBER FOOT	PIED EN CAOUTCHOUC	2	\$4.43
443	4503854430	RUNNING CAPACITOR	CONDENSATEUR D'OPERATION	1	\$19.49
444	4503854440	STARTING CAPACITOR	CONDENSATEUR DE DEMARRAGE	1	\$30.65
445	4503854450	POWER CORD	CORDON D'ALIMENTATION	1	\$26.28
446	4503854460	MOTOR CORD	CORDON DU MOTEUR	1	\$16.04
447	4503854470	KEY	CLE DE RETENUE	1	\$2.01
501	4503855010	GEAR BOX	BOITIER D'ENGRENAGE	1	\$103.10
502	4503855020	CAP SCREW	BOULON A TETE CYLINDRIQUE	4	\$3.05
503	4503855030	FLANGE COVER	COUVERCLE DU JOINT D'ETANCHEITE	1	\$4.31
504	4503855040	CAP SCREW	BOULON A TETE CYLINDRIQUE	3	\$1.67
505	4503855050	OIL SEAL	JOINT D'ETANCHEITE	1	\$20.64
506	4503855060	HELICAL GEAR	ENGRENAGE HELICOIDAL	1	\$22.60
507	4503855070	CAP SCREW	BOULON A TETE CYLINDRIQUE	1	\$2.70
508	4503855080	PAN HD SCREW	VIS A TETE BOMBEE	1	\$1.90
509	4503855090	WASHER	RONDELLE	1	\$1.67
510	4503855100	GEAR	ENGRENAGE	1	\$34.33
511	4503855110	SINGLE GEARED SHAFT	TIGE D'ENGRENAGE SIMPLE	1	\$20.64
512	4503855120	KEY	CLE DE RETENUE	1	\$1.78
513	4503855130	BALL BEARING	ROULEMENT A BILLES	2	\$11.10
514	4503855140	GEAR	ENGRENAGE	1	\$34.33
515	4503855150	DOUBLE GEARED SHAFT	TIGE D'ENGRENAGE DOUBLE	1	\$27.54
516	4503855160	KEY	CLE DE RETENUE	1	\$1.78
517	4503855170	BALL BEARING	ROULEMENT A BILLES	2	\$11.10
518	4503855180	DOUBLE GEAR ASSEMBLY	ENGRENAGE DOUBLE ASSEMBLE	1	\$112.53
519	4503855190	SHAFT	TIGE	1	\$34.44
520	4503855200	KEY	CLE DE RETENUE	1	\$2.24
521	4503855210	SPRING	RESSORT	1	\$2.70
522	4503855220	STEEL BALL	BILLE EN ACIER	1	\$2.01
523	4503855230	BALL BEARING	ROULEMENT A BILLES	1	\$11.10
524	4503855240	BALL BEARING	ROULEMENT A BILLES	1	\$22.94
525	4503855250	OIL SEAL	JOINT D'ETANCHEITE	1	\$16.04
526	4503855260	CHAIN SPROCKET	ENGRENAGE A PIGNON	1	\$17.08
527	4503855270	KEY	CLE DE RETENUE	1	\$1.78
528	4503855280	WASHER	RONDELLE	1	\$1.90
529	4503855290	CAP SCREW	BOULON A TETE CYLINDRIQUE	1	\$1.90
530	4503855300	CLUTCH FORK	FOURCHETTE D'EMBRAYAGE	1	\$15.93
531	4503855310	CLUTCH SHAFT	TIGE DE L'EMBRAYAGE	1	\$14.55
532	4503855320	O-RING	ANNEAU D'ETANCHEITE	1	\$2.01
533	4503855330	FEED SPEED KNOB	BOUTON DE LA TIGE DES VITESSES	1	\$3.39
534	4503855340	SPRING PIN	GOUPILLE	2	\$2.24
535	4503855350	GASKET	JOINT D'ETANCHEITE	1	\$10.06
536	4503855360	GEAR BOX COVER	COUVERCLE DU BOITIER	1	\$79.18
537	4503855370	CAP SCREW	BOULON A TETE CYLINDRIQUE	5	\$2.70
538	4503855380	OIL PLUG	BOUCHON A L'HUILE	2	\$3.39
539	4503855390	RETAINING RING/SHAFT	ANNEAU DE RETENU/TIGE	1	\$1.78
540	4503855400	BALL BEARING	ROULEMENT A BILLES	1	\$17.19
555-5	4503855555	HARDWARE BAG	SAC DE QUINCAILLERIE	1	\$74.69
	450385MBIL	BILINGUAL MANUAL KC-385FX	MANUEL BILINGUE KC-385FX	1	\$15.00

Pricing subject to change without prior notice. / Prix sujet à changement sans préavis.

Free Manuals Download Website

<http://myh66.com>

<http://usermanuals.us>

<http://www.somanuals.com>

<http://www.4manuals.cc>

<http://www.manual-lib.com>

<http://www.404manual.com>

<http://www.luxmanual.com>

<http://aubethermostatmanual.com>

Golf course search by state

<http://golfingnear.com>

Email search by domain

<http://emailbydomain.com>

Auto manuals search

<http://auto.somanuals.com>

TV manuals search

<http://tv.somanuals.com>