



Service Manual / Manuel de Service

6" x 108" Oscillating Edge & Spindle Sander

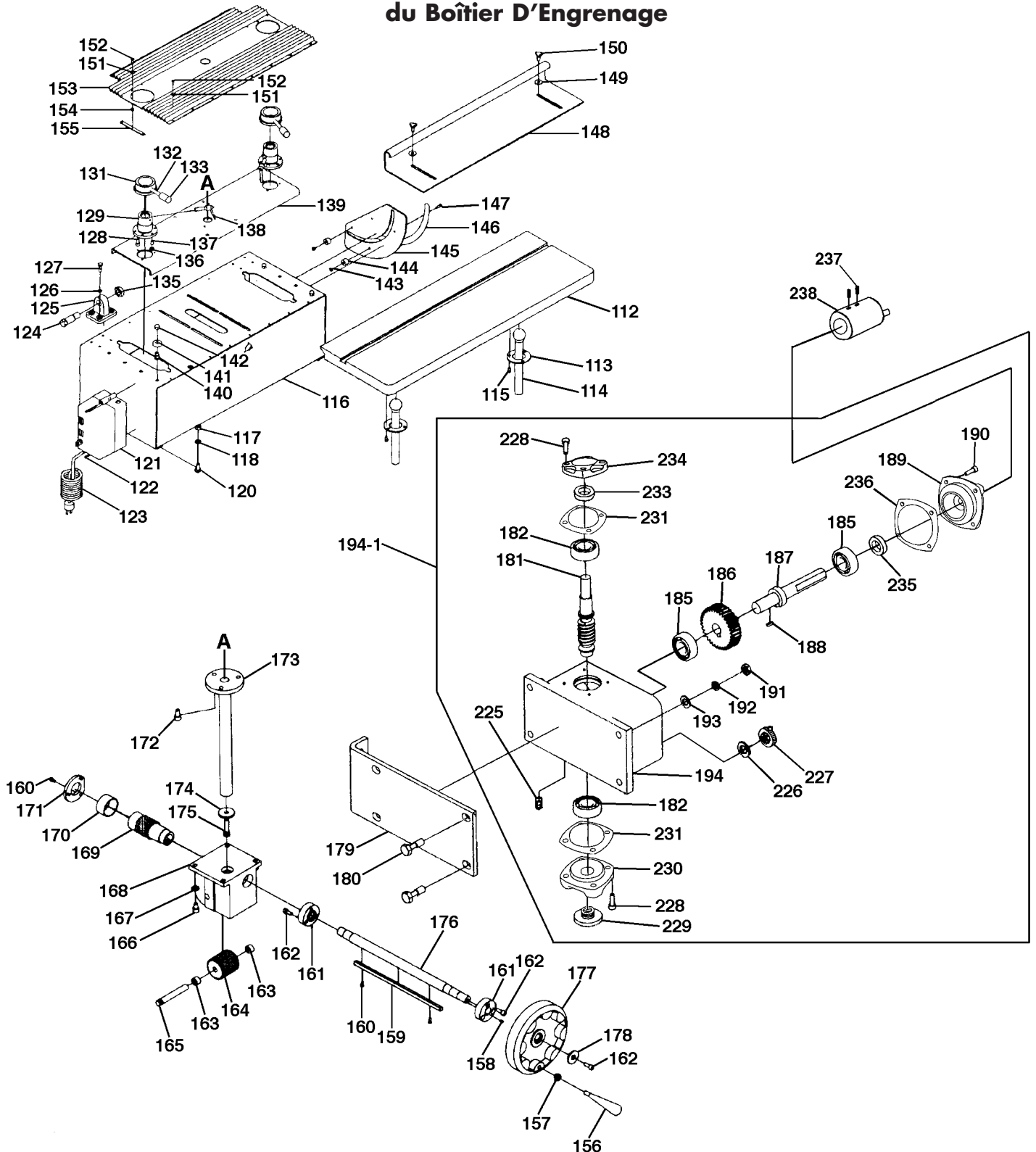
Ponceuse de Chant Oscillante 6" x 108"



Revised/Revisé 08/2008

Upper Base & Gear Box Diagram / Diagramme de la Base du Haut et du Boîtier D'Engrenage

KC-6108-OSC





Service Manual / Manuel de Service

6" x 108" Oscillating Edge & Spindle Sander

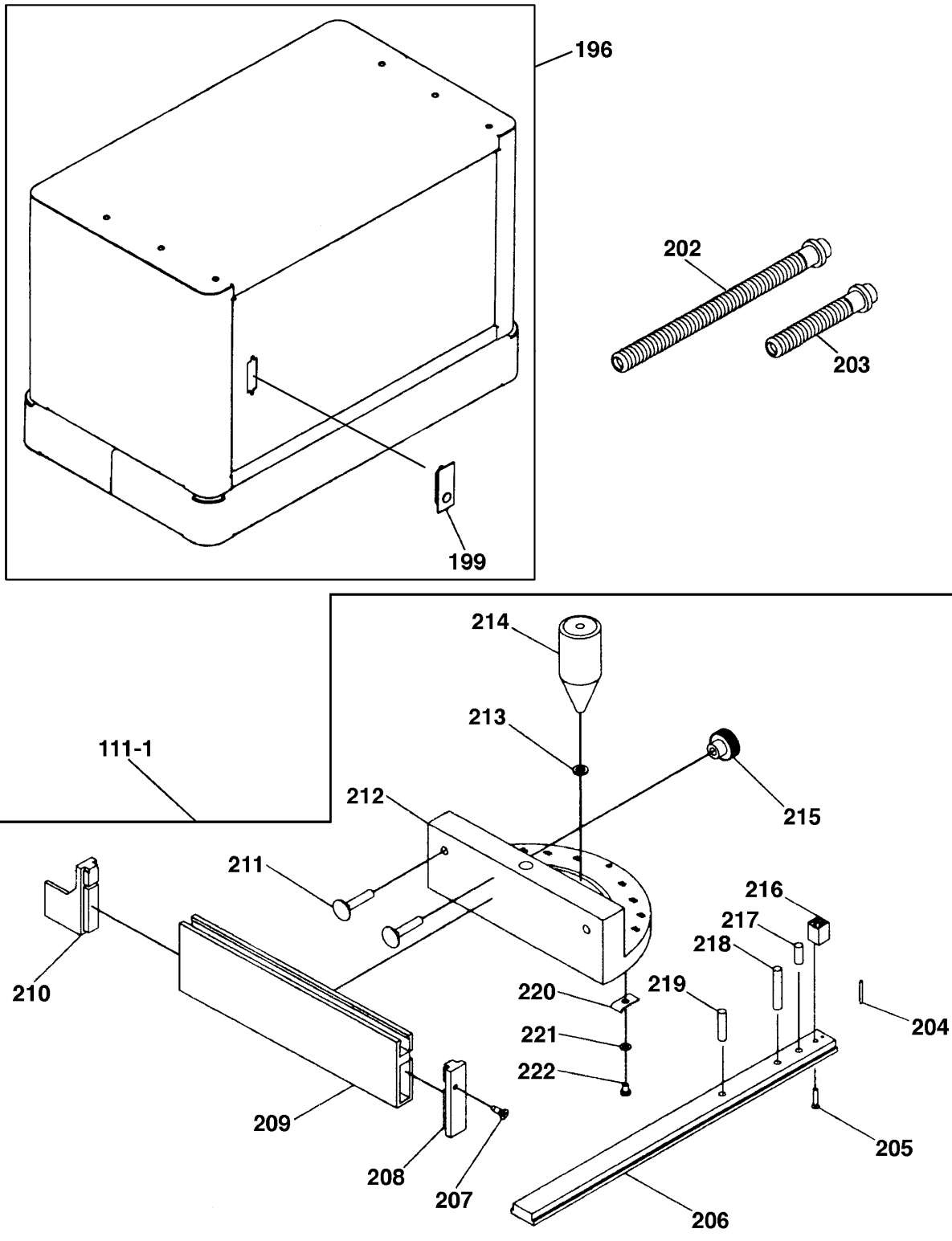
Ponceuse de Chant Oscillante 6" x 108"



Revised/Revisé 08/2008

Cabinet & Mitre Gauge Diagram / Diagramme du Cabinet et du Guide à Onglets

KC-6108-OSC





Parts Pricing List / Liste de Prix des Pièces **KC-6108-OSC**

| Diag. | Order # Com. | English Description | Description Française | Qty./Qté. | Price/Prix |
|-------|--------------|-------------------------------|----------------------------------|-----------|------------|
| 1 | 5561080010 | FRAME | CHASSIS | 1 | \$160.94 |
| 2 | 5561080020 | WORK STOP | ARRET DE TRAVAIL | 1 | \$22.94 |
| 3 | 5561080030 | WASHER | RONDELLE | 1 | \$1.55 |
| 4 | 5561080040 | HEX. BOLT | BOULON HEXAGONAL | 1 | \$1.78 |
| 5 | 5561080050 | LOCK HANDLE | POIGNEE DE VERROUILLAGE | 1 | \$10.29 |
| 6 | 5561080060 | OUTER WASHER | RONDELLE EXTERIEURE | 1 | \$3.39 |
| 7 | 5561080070 | INNER WASHER | RONDELLE INTERIEURE | 1 | \$1.67 |
| 8 | 5561080080 | SPECIAL WASHER | RONDELLE SPECIALE | 1 | \$3.74 |
| 9 | 5561080090 | ROD END BEARING | TIGE DU ROULEMENT | 2 | \$40.19 |
| 10 | 5561080100 | HEX. NUT | ECROU HEXAGONAL | 5 | \$1.90 |
| 11 | 5561080110 | LONG-THREADED SHAFT | TIGE FILLETEE LONGUE | 1 | \$6.84 |
| 12 | 5561080120 | SHORT-THREADED SHAFT | TIGE FILLETEE COURTE | 1 | \$5.69 |
| 13 | 5561080130 | GRAPHITE PAD | TAPIS EN GRAPHITE | 1 | \$68.94 |
| 14 | 5561080140 | NYLON HEX. NUT | ECROU HEXAGONAL AVEC NYLON | 1 | \$2.13 |
| 15 | 5561080150 | LINK PLATE | PLAQUE DE LIAISON | 1 | \$6.73 |
| 16 | 5561080160 | SHAFT | TIGE | 1 | \$22.94 |
| 17 | 5561080170 | SPRING | RESSORT | 1 | \$17.19 |
| 18 | 5561080180 | WASHER | RONDELLE | 1 | \$3.28 |
| 19 | 5561080190 | HEX. NUT | ECROU HEXAGONAL | 1 | \$2.47 |
| 20 | 5561080200 | CAP SCREW | BOULON A TETE CYLINDRIQUE | 4 | \$1.84 |
| 21 | 5561080210 | SPRING WASHER | RONDELLE A RESSORT | 4 | \$1.67 |
| 22 | 5561080220 | WASHER | RONDELLE | 4 | \$1.55 |
| 23 | 5561080230 | FIXING SHAFT | TIGE DE FIXATION | 2 | \$17.19 |
| 24 | 5561080240 | SCREW | VIS | 1 | \$1.90 |
| 25 | 5561080250 | LARGE WASHER | GRANDE RONDELLE | 1 | \$1.78 |
| 26 | 5561080260 | CAP SCREW | BOULON A TETE CYLINDRIQUE | 1 | \$1.67 |
| 27 | 5561080270 | CAP SCREW | BOULON A TETE CYLINDRIQUE | 1 | \$1.78 |
| 28 | 5561080280 | HEX. NUT | ECROU HEXAGONAL | 1 | \$1.78 |
| 29 | 5561080290 | TENSION LEVER BAR | TIGE DU LEVIER DE TENSION | 1 | \$17.19 |
| 30 | 5561080300 | TENSION LEVER KNOB | BOUTON DU LEVIER DE TENSION | 1 | \$4.54 |
| 31 | SB-6108 | SANDING BELT | COURROIE ABRASIVE | 1 | - |
| 35 | 5561080350 | LOCK KNOB | BOUTON DE VERROUILLAGE | 2 | \$3.39 |
| 36 | 5561080360 | COMPLETE SANDING BELT COVER | GARDE DE SECURITE COMPLET | 1 | \$149.44 |
| 37 | 5561080370 | DUST CHUTE | SORTIE DE POUSSIERE | 1 | \$11.44 |
| 38 | 5561080380 | WASHER | RONDELLE | 9 | \$1.55 |
| 39 | 5561080390 | PAN HD SCREW | VIS A TETE BOMBEE | 9 | \$1.61 |
| 40 | 5561080400 | PAN HD SCREW | VIS A TETE BOMBEE | 1 | \$1.55 |
| 41 | 5561080410 | WIRE HOLDER | ATTACHE CORDON | 1 | \$2.93 |
| 43 | 5561080430 | PAN HD SCREW | VIS A TETE BOMBEE | 2 | \$1.55 |
| 44 | 5561080440 | HEX. NUT | ECROU HEXAGONAL | 2 | \$1.55 |
| 45 | 5561080450 | EMERGENCY STOP BUTTON | BOUTON D'ARRET D'URGENCE | 1 | \$57.44 |
| 46 | 5561080460 | EMERGENCY STOP BUTTON HOUSING | BOITIER DU BOUTON D'ARRET D'URG. | 1 | \$6.84 |
| 47 | 5561080470 | ANGLE POINTER | INDICATEUR D'ANGLE | 1 | \$4.54 |
| 48 | 5561080480 | PAN HD SCREW | VIS A TETE BOMBEE | 1 | \$1.55 |
| 49 | 5561080490 | CAP SCREW | BOULON A TETE CYLINDRIQUE | 1 | \$1.73 |
| 50 | 5561080500 | LARGE WASHER | GRANDE RONDELLE | 2 | \$2.59 |
| 51 | SL-415-K | SANDING SLEEVE | MANCHON ABRASIF | 1 | - |

Pricing subject to change without prior notice. / Prix sujet à changement sans préavis.



Parts Pricing List / Liste de Prix des Pièces **KC-6108-OSC**

| Diag. | Order # Com. | English Description | Description Française | Qty./Qté. | Price/Prix |
|-------|--------------|----------------------------|-------------------------------------|-----------|------------|
| 52 | 5561080520 | 1-1/2" SANDING DRUM | TAMBOUR A MANCHON 1-1/2" | 1 | \$17.19 |
| 53 | 5561080530 | SANDING DRUM SPINDLE | ARBRE A TAMBOUR | 1 | \$34.44 |
| 55 | 5561080550 | IDLER ROLLER ROUND PLATE | PLAQUE RONDE DU ROULEAU | 1 | \$10.29 |
| 56 | 5561080560 | CAP SCREW | BOULON A TETE CYLINDRIQUE | 3 | \$2.01 |
| 57 | 5561080570 | RETAINING RING/SHAFT | ANNEAU DE RETENU/TIGE | 1 | \$2.36 |
| 58 | 5561080580 | BALL BEARING | ROULEMENT A BILLES | 2 | \$33.29 |
| 59 | 5561080590 | IDLER ROLLER | ROULEAU NON-COMMANDE | 1 | \$103.44 |
| 60 | 5561080600 | IDLER ROLLER SPINDLE SHAFT | ARBRE DU ROULEAU NON-COMMANDE | 1 | \$40.19 |
| 61 | 5561080610 | GREASE FITTING | RACCORD DE GRAISSE | 4 | \$3.39 |
| 62 | 5561080620 | CAP SCREW | BOULON A TETE CYLINDRIQUE | 1 | \$2.88 |
| 63 | 5561080630 | IDLER ROLLER SUPPORT | SUPPORT DU ROULEAU | 1 | \$91.94 |
| 64 | 5561080640 | CAP SCREW | BOULON A TETE CYLINDRIQUE | 1 | \$1.84 |
| 65 | 5561080650 | LOCK HANDLE | POIGNEE DE VERROUILLAGE | 1 | \$11.44 |
| 66 | 5561080660 | PAN HD SCREW | VIS A TETE BOMBEE | 6 | \$1.55 |
| 67 | 5561080670 | WASHER | RONDELLE | 6 | \$1.67 |
| 68 | 5561080680 | RIGHT GUARD FOR END TABLE | GARDE DROIT/TABLE DU BOUT | 1 | \$5.69 |
| 69 | 5561080690 | END TABLE SUPPORT SHAFT | TIGE DE SUPPORT/TABLE DU BOUT | 1 | \$22.94 |
| 70 | 5561080700 | SPECIAL KEY | CLE DE RETENUE SPECIALE | 1 | \$6.84 |
| 71 | 5561080710 | CAP SCREW | BOULON A TETE CYLINDRIQUE | 3 | \$1.90 |
| 72 | 5561080720 | CAP SCREW | BOULON A TETE CYLINDRIQUE | 1 | \$1.96 |
| 73 | 5561080730 | LEFT GUARD FOR END TABLE | GARDE GAUCHE DE LA TABLE/BOUT | 1 | \$5.69 |
| 74 | 5561080740 | END TABLE | TABLE DU BOUT | 1 | \$63.19 |
| 75 | 5561080750 | END TABLE INSERT | INSERTION DE LA TABLE DU BOUT | 1 | \$13.74 |
| 76 | 5561080760 | END TABLE INSERT (1-1/2") | INSERTION DE LA TABLE/BOUT (1-1/2") | 1 | \$13.74 |
| 77 | 5561080770 | END TABLE INSERT (2") | INSERTION DE LA TABLE DU BOUT (2") | 1 | \$12.59 |
| 78 | 5561080780 | END TABLE INSERT (3") | INSERTION DE LA TABLE DU BOUT (3") | 1 | \$13.74 |
| 79 | SL-430-K | SANDING SLEEVE | MANCHON ABRASIF | 1 | - |
| 80 | SL-420-K | SANDING SLEEVE | MANCHON ABRASIF | 1 | - |
| 81 | 5561080810 | 2" SANDING DRUM | TAMBOUR A MANCHON 2" | 1 | \$40.19 |
| 82 | 5561080820 | 3" SANDING DRUM | TAMBOUR A MANCHON 3" | 1 | \$68.94 |
| 83 | 5561080830 | COUNTERSUNK HD SCREW | VIS A TETE FRAISEE | 3 | \$1.55 |
| 84 | 5561080840 | GEAR BOX COVER | COUVERCLE DU BOITIER D'ENGR. | 1 | \$34.44 |
| 85 | 5561080850 | HANDLE | POIGNEE | 1 | \$5.69 |
| 86 | 5561080860 | CAP SCREW | BOULON A TETE CYLINDRIQUE | 2 | \$2.24 |
| 87 | 5561080870 | CAP SCREW | BOULON A TETE CYLINDRIQUE | 4 | \$2.47 |
| 89 | 5561080890 | CAP SCREW | BOULON A TETE CYLINDRIQUE | 2 | \$1.78 |
| 90 | 5561080900 | SPRING WASHER | RONDELLE A RESSORT | 2 | \$1.67 |
| 91 | 5561080910 | WASHER | RONDELLE | 2 | \$1.55 |
| 92 | 5561080920 | LOWER SPINDLE CONNECTOR | CONNECTEUR DE L'ARBRE INFERIEUR | 1 | \$17.19 |
| 93 | 5561080930 | SET SCREW | VIS SANS TETE | 2 | \$1.90 |
| 94 | 5561080940 | RUBBER SPINDLE CONNECTOR | CONNECTEUR EN CAOUTCHOUC | 1 | \$9.14 |
| 95 | 5561080950 | UPPER SPINDLE CONNECTOR | CONNECTEUR DE L'ARBRE SUPERIEUR | 1 | \$16.04 |
| 96 | 5561080960 | HEX. BOLT | BOULON HEXAGONAL | 4 | \$2.01 |
| 97 | 5561080970 | SPRING WASHER | RONDELLE A RESSORT | 4 | \$1.55 |
| 99 | 5561080990 | MOTOR BRACKET | SUPPORT A MOTEUR | 1 | \$201.19 |
| 100 | 5561081000 | DRUM PULLER PLATE | PLAQUE D'ENLEVEMENT DU ROULEAU | 1 | \$5.46 |
| 101 | 5561081010 | CAP SCREW | BOULON A TETE CYLINDRIQUE | 2 | \$2.88 |

Pricing subject to change without prior notice. / Prix sujet à changement sans préavis.



Parts Pricing List / Liste de Prix des Pièces **KC-6108-OSC**

| Diag. | Order # Com. | English Description | Description Française | Qty./Qté. | Price/Prix |
|-------|--------------|----------------------|-----------------------------|-----------|------------|
| 102 | 5561081020 | CAP SCREW | BOULON A TETE CYLINDRIQUE | 1 | \$1.90 |
| 103 | 5561081030 | SPECIAL NUT | ECROU SPECIAL | 1 | \$2.59 |
| 106 | 5561081060 | THRUST BEARING | ROULEMENT A BUTEE | 2 | \$28.69 |
| 107 | 5561081070 | SPECIAL HEX. BOLT | BOULON HEXAGONAL SPECIAL | 1 | \$4.54 |
| 108 | 5561081080 | SPECIAL NUT | ECROU SPECIAL | 1 | \$3.16 |
| 109 | 5561081090 | SPRING WASHER | RONDELLE A RESSORT | 1 | \$2.01 |
| 110 | 5561081100 | DRIVE ROLLER | ROULEAU D'ENTRAINEMENT | 1 | \$149.44 |
| 111 | 5561081110 | MOTOR | MOTEUR | 1 | \$684.25 |
| 111-1 | 5561081111 | MITER GAUGE ASSEMBLY | GUIDE A ONGLETS ASSEMBLE | 1 | \$80.44 |
| 112 | 5561081120 | FRONT TABLE | TABLE AVANT | 1 | \$339.25 |
| 113 | 5561081130 | SUPPORT PLATE | PLAQUE A SUPPORT | 2 | \$11.44 |
| 114 | 5561081140 | TABLE SUPPORT | SUPPORT DE LA TABLE | 2 | \$28.69 |
| 115 | 5561081150 | CAP SCREW | BOULON A TETE CYLINDRIQUE | 6 | \$1.67 |
| 116 | 5561081160 | UPPER BASE | BASE SUPERIEURE | 1 | \$143.69 |
| 117 | 5561081170 | HEX. NUT | ECROU HEXAGONAL | 6 | \$1.73 |
| 118 | 5561081180 | SPRING WASHER | RONDELLE A RESSORT | 6 | \$1.55 |
| 120 | 5561081200 | HEX. BOLT | BOULON HEXAGONAL | 6 | \$1.90 |
| 121 | 5561081210 | MAGNETIC SWITCH | INTERRUPTEUR MAGNETIQUE | 1 | \$201.19 |
| 122 | 5561081220 | PAN HD SCREW | VIS A TETE BOMBEE | 2 | \$1.55 |
| 123 | 5561081230 | POWER CORD | CORDON D'ALIMENTATION | 1 | \$22.94 |
| 124 | 5561081240 | SPECIAL BOLT | BOULON SPECIAL | 2 | \$9.14 |
| 125 | 5561081250 | SWIVEL BRACKET | SUPPORT DE PIVOTEMENT | 2 | \$20.64 |
| 126 | 5561081260 | SPRING WASHER | RONDELLE A RESSORT | 8 | \$1.67 |
| 127 | 5561081270 | CAP SCREW | BOULON A TETE CYLINDRIQUE | 8 | \$1.84 |
| 128 | 5561081280 | CAP SCREW | BOULON A TETE CYLINDRIQUE | 6 | \$1.73 |
| 129 | 5561081290 | COMPLETE TABLE NUT | ECROU DE LA TABLE COMPLET | 2 | \$45.94 |
| 131 | 5561081310 | LOCK NUT | ECROU DE VERROUILLAGE | 2 | \$22.94 |
| 132 | 5561081320 | LEVER SHAFT | TIGE DU LEVIER | 2 | \$10.29 |
| 133 | 5561081330 | LEVER KNOB | BOUTON DU LEVIER | 2 | \$5.69 |
| 135 | 5561081350 | NYLON HEX. NUT | ECROU HEXAGONAL AVEC NYLON | 2 | \$2.82 |
| 136 | 5561081360 | HEX. NUT | ECROU HEXAGONAL | 6 | \$1.61 |
| 137 | 5561081370 | SET SCREW | VIS SANS TETE | 6 | \$2.01 |
| 138 | 5561081380 | LOCK HANDLE | POIGNEE DE VERROUILLAGE | 2 | \$13.74 |
| 139 | 5561081390 | ADJUSTMENT PLATE | PLAQUE D'AJUSTEMENT | 1 | \$51.69 |
| 140 | 5561081400 | SPECIAL BOLT | BOULON SPECIAL | 8 | \$3.39 |
| 141 | 5561081410 | BALL BEARING | ROULEMENT A BILLES | 8 | \$13.74 |
| 142 | 5561081420 | ACORN HEX. NUT | ECROU A CAPUCHON | 8 | \$1.90 |
| 143 | 5561081430 | NYLON HEX. NUT | ECROU HEXAGONAL AVEC NYLON | 4 | \$2.13 |
| 144 | 5561081440 | BUSHING SHIM | ESPACEUR POUR BAGUE | 4 | \$3.74 |
| 145 | 5561081450 | SCALE PLATE | PLAQUE DE L'ECHELLE D'ANGLE | 1 | \$20.64 |
| 146 | 5561081460 | ANGLE SCALE | ECHELLE D'ANGLE | 1 | \$5.69 |
| 147 | 5561081470 | COUNTERSUNK HD SCREW | VIS A TETE FRAISEE | 4 | \$2.13 |
| 148 | 5561081480 | FENCE | GUIDE | 1 | \$57.44 |
| 149 | 5561081490 | WASHER | RONDELLE | 2 | \$1.67 |
| 150 | 5561081500 | LOCK KNOB | BOUTON DE VERROUILLAGE | 2 | \$5.69 |
| 151 | 5561081510 | WASHER | BOUTON DE VERROUILLAGE | 19 | \$1.67 |
| 152 | 5561081520 | PAN HD SCREW | VIS A TETE BOMBEE | 19 | \$1.61 |

Pricing subject to change without prior notice. / Prix sujet à changement sans préavis.



Parts Pricing List / Liste de Prix des Pièces **KC-6108-OSC**

| Diag. | Order # Com. | English Description | Description Française | Qty./Qté. | Price/Prix |
|-------|--------------|------------------------------|-----------------------------------|-----------|------------|
| 153 | 5561081530 | EXTENDABLE COVER | COUVERCLE EXTENSIBLE | 1 | \$48.24 |
| 154 | 5561081540 | SPACER | ESPACEUR | 4 | \$4.54 |
| 155 | 5561081550 | FIXING PLATE | PLAQUE DE FIXATION | 4 | \$5.69 |
| 156 | 5561081560 | HANDLE | POIGNEE | 1 | \$11.44 |
| 157 | 5561081570 | HEX. NUT | ECROU HEXAGONAL | 1 | \$1.61 |
| 158 | 5561081580 | KEY | CLE DE RETENUE | 1 | \$1.90 |
| 159 | 5561081590 | SPECIAL KEY | CLE DE RETENUE SPECIALE | 1 | \$2.93 |
| 160 | 5561081600 | CAP SCREW | BOULON A TETE CYLINDRIQUE | 6 | \$1.90 |
| 161 | 5561081610 | SHAFT CENTER BUSHING | BAGUE DU CENTRE DE LA TIGE | 2 | \$32.14 |
| 162 | 5561081620 | CAP SCREW | BOULON A TETE CYLINDRIQUE | 7 | \$2.01 |
| 163 | 5561081630 | BUSHING | BAGUE | 2 | \$5.69 |
| 164 | 5561081640 | GEAR | ENGRENAGE | 1 | \$45.94 |
| 165 | 5561081650 | SHAFT | TIGE | 1 | \$11.44 |
| 166 | 5561081660 | CAP SCREW | BOULON A TETE CYLINDRIQUE | 4 | \$1.73 |
| 167 | 5561081670 | SPRING WASHER | RONDELLE A RESSORT | 4 | \$1.67 |
| 168 | 5561081680 | HOUSING | BOITIER | 1 | \$103.44 |
| 169 | 5561081690 | GEAR | ENGRENAGE | 1 | \$57.44 |
| 170 | 5561081700 | BRASS BUSHING | BAGUE EN LAITON | 1 | \$68.94 |
| 171 | 5561081710 | PLATE | PLAQUE | 1 | \$7.99 |
| 172 | 5561081720 | CAP SCREW | BOULON A TETE CYLINDRIQUE | 3 | \$1.84 |
| 173 | 5561081730 | ELEVATION SHAFT | TIGE D'ELEVATION | 1 | \$34.44 |
| 174 | 5561081740 | LARGE WASHER | GRANDE RONDELLE | 1 | \$3.74 |
| 175 | 5561081750 | HEX. BOLT | BOULON HEXAGONAL | 1 | \$1.67 |
| 176 | 5561081760 | SHAFT | TIGE | 1 | \$45.94 |
| 177 | 5561081770 | HANDWHEEL | MANIVELLE | 1 | \$68.94 |
| 178 | 5561081780 | WASHER | RONDELLE | 1 | \$1.61 |
| 179 | 5561081790 | GEAR BOX PLATE | PLAQUE DU BOITIER D'ENGRENAGE | 1 | \$28.69 |
| 180 | 5561081800 | HEX. BOLT | BOULON HEXAGONAL | 4 | \$1.90 |
| 181 | 5561081810 | WORM GEAR SHAFT | TIGE AVEC ENGRENAGE SANS FIN | 1 | \$57.44 |
| 182 | 5561081820 | BALL BEARING | ROULEMENT A BILLES | 2 | \$11.44 |
| 185 | 5561081850 | BALL BEARING | ROULEMENT A BILLES | 2 | \$12.59 |
| 186 | 5561081860 | GEAR | ENGRENAGE | 1 | \$40.19 |
| 187 | 5561081870 | SHAFT | TIGE | 1 | \$45.94 |
| 188 | 5561081880 | KEY | CLE DE RETENUE | 1 | \$2.01 |
| 189 | 5561081890 | GEAR BOX MAIN COVER | COUVERCLE PRINCIPAL DU BOITIER | 1 | \$28.69 |
| 190 | 5561081900 | CAP SCREW | BOULON A TETE CYLINDRIQUE | 4 | \$1.73 |
| 191 | 5561081910 | HEX. NUT | ECROU HEXAGONAL | 4 | \$1.61 |
| 192 | 5561081920 | SPRING WASHER | RONDELLE A RESSORT | 4 | \$1.61 |
| 193 | 5561081930 | WASHER | RONDELLE | 4 | \$1.55 |
| 194 | 5561081940 | GEAR BOX HOUSING (ONLY) | BOITIER D'ENGRENAGES (SEULEM.) | 1 | \$114.94 |
| 194-1 | 5561081941 | GEAR BOX ASSEMBLY | BOITIER D'ENGRENAGE ASSEMBLE | 1 | \$431.25 |
| 196 | 5561081960 | COMPLETE STAND (SPEC. ORDER) | CABINET COMPLET (COMM. SPEC.) | 1 | \$569.25 |
| 199 | 5561081990 | COMPLETE DOOR LATCH | LOQUET COMPLET DE LA PORTE | 1 | \$11.44 |
| 202 | 5561082020 | LONG ELECTRIC WIRE COVER | PROTEGE-CORDON LONG | 2 | \$10.29 |
| 203 | 5561082030 | SHORT ELECTRIC WIRE COVER | PROTEGE-CORDON COURT | 1 | \$9.14 |
| 204 | 5561082040 | SPRING PIN | GOUPILLE A RESSORT | 1 | \$2.01 |
| 205 | 5561082050 | COUNTERSUNK HD TAPPING SCREW | VIS AUTOTARAUDEUSE A TETE FRAISEE | 1 | \$1.78 |

Pricing subject to change without prior notice. / Prix sujet à changement sans préavis.



Parts Pricing List / Liste de Prix des Pièces **KC-6108-OSC**

| Diag. | Order # Com. | English Description | Description Française | Qty./Qté. | Price/Prix |
|-------|--------------|------------------------------|-----------------------------------|-----------|------------|
| 206 | 5561082060 | MITER GAUGE BAR | BARRE DU GUIDE A ONGLETS | 1 | \$20.64 |
| 207 | 5561082070 | COUNTERSUNK HD TAPPING SCREW | VIS AUTOTARAUDEUSE A TETE FRAISEE | 1 | \$1.90 |
| 208 | 5561082080 | PLASTIC END CAP | CAPUCHON DU BOUT EN PLASTIQUE | 1 | \$7.99 |
| 209 | 5561082090 | ALUMINUM FACING | FACE EN ALUMINIUM | 1 | \$22.94 |
| 210 | 5561082100 | PLASTIC END CAP W/ EXTENSION | CAPUCHON DU BOUT A/RALLONGE | 1 | \$7.99 |
| 211 | 5561082110 | CARRIAGE BOLT | BOULON DE CARROSSERIE | 2 | \$2.13 |
| 212 | 5561082120 | MITER GAUGE BODY | CORPS DU GUIDE A ONGLET | 1 | \$37.89 |
| 213 | 5561082130 | WASHER | RONDELLE | 1 | \$1.61 |
| 214 | 5561082140 | HANDLE | POIGNEE | 1 | \$9.14 |
| 215 | 5561082150 | LOCK KNOB | BOUTON DE VERROUILLAGE | 2 | \$5.69 |
| 216 | 5561082160 | ANGLE INDICATOR | INDICATEUR D'ANGLE | 1 | \$6.84 |
| 217 | 5561082170 | SHORT PIN | GOUPILLE COURTE | 1 | \$3.28 |
| 218 | 5561082180 | COUNTERSUNK HD SCREW | VIS A TETE FRAISEE | 1 | \$1.90 |
| 219 | 5561082190 | LONG PIN | GOUPILLE LONGUE | 1 | \$3.39 |
| 220 | 5561082200 | STOPPER | ARRET | 2 | \$2.59 |
| 221 | 5561082210 | WASHER | RONDELLE | 2 | \$1.67 |
| 222 | 5561082220 | PAN HD SCREW | VIS A TETE BOMBEE | 2 | \$1.55 |
| 225 | 5561082250 | OIL FILL SET SCREW | VIS SANS TETE / ENTREE D'HUILE | 1 | \$0.00 |
| 226 | 5561082260 | O-RING | JOINT TORIQUE | 1 | \$2.59 |
| 227 | 5561082270 | OIL DRAIN PLUG | BOUCHON DE L'HUILE | 1 | \$3.74 |
| 228 | 5561082280 | CAP SCREW | BOULON A TETE CYLINDRIQUE | 8 | \$2.24 |
| 229 | 5561082290 | OIL SIGHT GLASS | VITRE NIVEAU D'HUILE | 1 | \$4.89 |
| 230 | 5561082300 | BOTTOM HOUSING COVER | COUVERCLE DU BOITIER INFERIEUR | 1 | \$28.69 |
| 231 | 5561082310 | GASKET | JOINT D'ETANCHEITE | 2 | \$10.29 |
| 233 | 5561082330 | OIL SEAL | JOINT D'ETANCHEITE | 1 | \$18.34 |
| 234 | 5561082340 | TOP HOUSING COVER | COUVERCLE DU BOITIER SUPERIEUR | 1 | \$28.69 |
| 235 | 5561082350 | OIL SEAL | JOINT D'ETANCHEITE | 1 | \$17.08 |
| 236 | 5561082360 | GASKET | JOINT D'ETANCHEITE | 1 | \$10.29 |
| 237 | 5561082370 | SET SCREW | VIS SANS TETE | 2 | \$1.90 |
| 238 | 5561082380 | OSCILLATING ECCENTRIC | EXCENTRIQUE A OSCILLATION | 1 | \$14.89 |
| | 556108MBIL | BILINGUAL MANUAL KC-6108-OSC | MANUEL BILINGUE KC-6108-OSC | 1 | \$15.00 |

Pricing subject to change without prior notice. / Prix sujet à changement sans préavis.

Free Manuals Download Website

<http://myh66.com>

<http://usermanuals.us>

<http://www.somanuals.com>

<http://www.4manuals.cc>

<http://www.manual-lib.com>

<http://www.404manual.com>

<http://www.luxmanual.com>

<http://aubethermostatmanual.com>

Golf course search by state

<http://golfingnear.com>

Email search by domain

<http://emailbydomain.com>

Auto manuals search

<http://auto.somanuals.com>

TV manuals search

<http://tv.somanuals.com>