



Service Manual / Manuel de Service

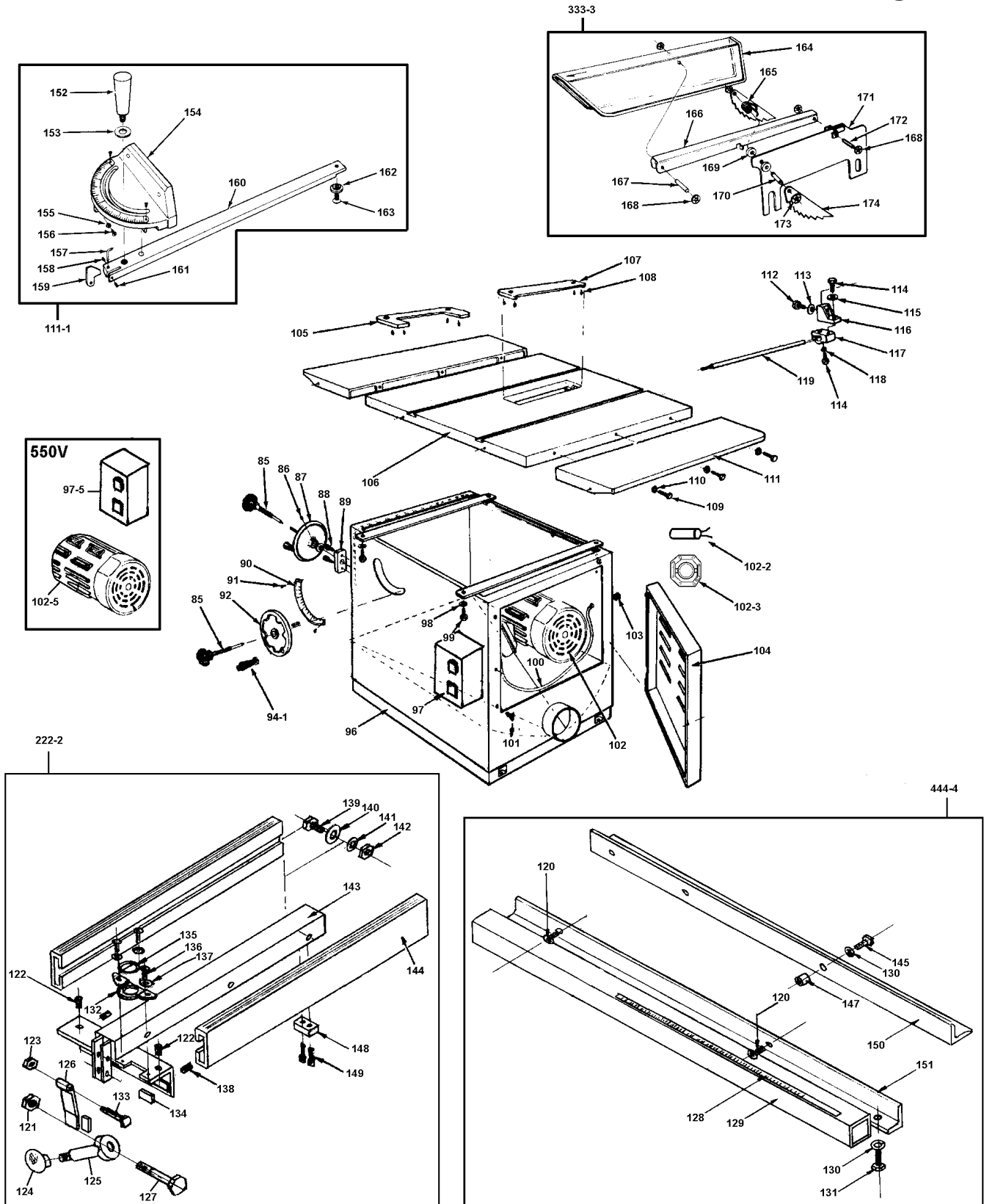
12" Tilting Arbor Heavy-Duty Table Saw Scie Industrielle Robuste 12" à Arbre Inclinable



Revised/Revisé 08/2008

Main Diagram / Diagramme Principale

KC-12DS





Service Manual / Manuel de Service

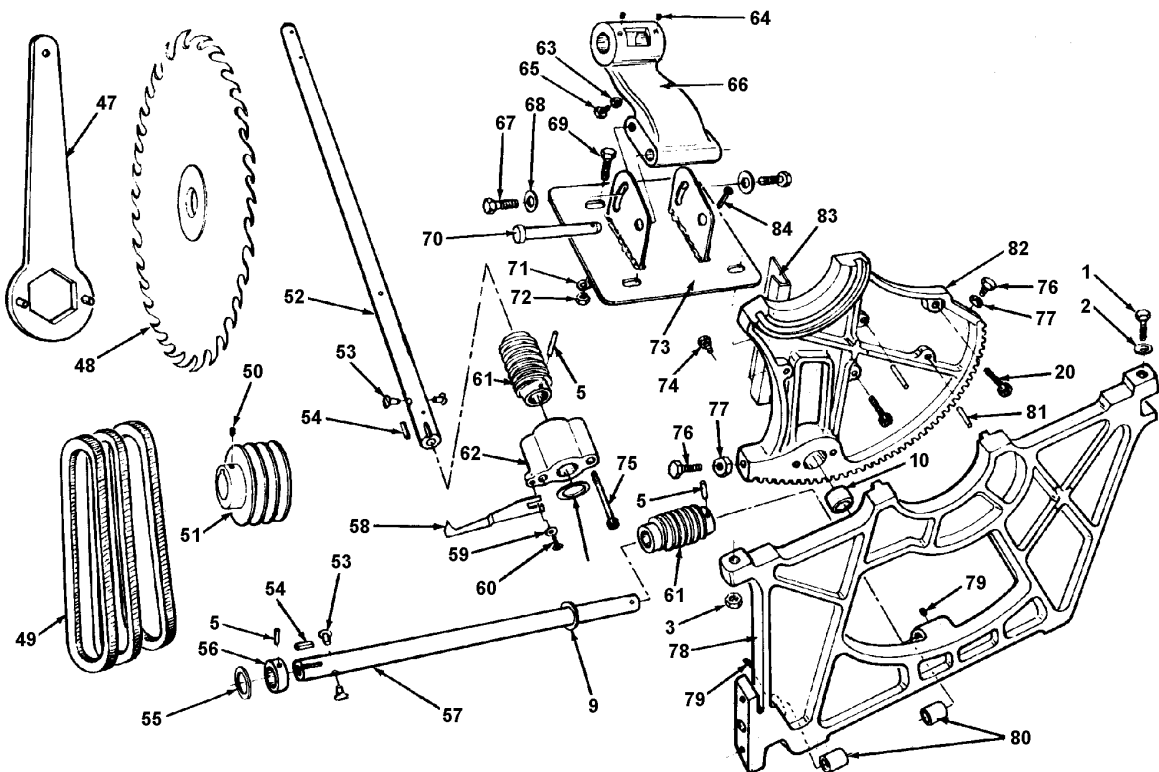
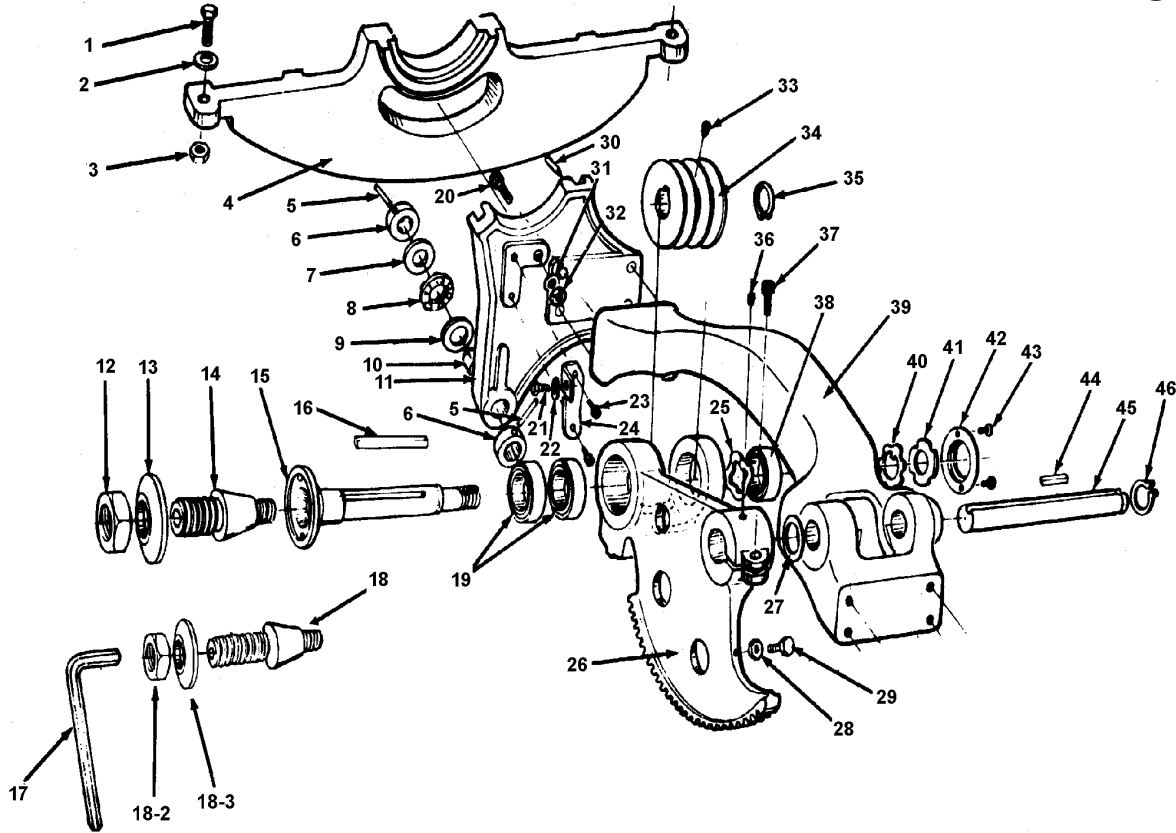
12" Tilting Arbor Heavy-Duty Table Saw Scie Industrielle Robuste 12" à Arbre Inclinable



Revised/Revisé 08/2008

Internal Diagram / Diagramme Interne

KC-12DS





Parts Pricing List / Liste de Prix des Pièces **KC-12DS**

Diag.	Order # Com.	English Description	Description Française	Qty./Qté.	Price/Prix
1	3412000010	HEX. BOLT	BOULON HEXAGONAL	4	\$2.24
2	3412000020	LOCK WASHER	RONDELLE A RESSORT	4	\$1.67
3	3412000030	HEX. NUT	ECROU HEXAGONAL	4	\$1.67
4	3412000040	REAR TRUNNION	TOURILLON ARRIERE	1	\$149.21
5	3412000050	ROLL PIN	GOUPILLE	5	\$2.59
6	3412000060	COLLAR	BAGUE	2	\$9.60
7	3412000070	BEARING DUST DEFLECTOR	DEFLECTEUR DE POUSSIERE	1	\$5.12
8	3412000080	THRUST BEARING	ROULEMENT A BUTEE	1	\$29.84
9	3412000090	WASHER	RONDELLE	2	\$2.24
10	3412000100	BUSHING	BAGUE	2	\$9.60
11	3412000110	REAR TRUNNION BRACKET	SUPPORT DU TOUILLON ARRIERE	1	\$142.20
12	3412000120	ARBOR NUT	ECROU DE L'ARBRE	1	\$16.04
13	3412000130	FLANGE	RONDELLE DE L'ARBRE	1	\$16.04
14	3412000140	ARBOR EXTENSION	EXTENSION DE L'ARBRE	1	\$41.23
15	3412000150	ARBOR	ARBRE	1	\$114.37
16	3412000160	KEY	CLE DE RETENU	1	\$3.28
17	3412000170	HEX. KEY (M8)	CLE HEXAGONALE (M8)	1	\$2.24
18	3412000180	OPTIONAL ARBOR EXT. (DADO)	EXT. DE L'ARBRE OPTIONNEL (DADO)	1	\$50.20
18-2	3412000182	ARBOR NUT (DADO)	ECROU DE L'ARBRE (DADO)	1	\$34.33
18-3	3412000183	FLANGE FOR DADO ARBOR	RONDELLE POUR TIGE	1	\$34.33
19	3412000190	BALL BEARING	ROULEMENT A BILLES	2	\$17.19
20	3412000200	CAP SCREW	BOULON A TETE CYLINDRIQUE	4	\$2.13
21	3412000210	HEX. BOLT	BOULON HEXAGONAL	1	\$2.01
22	3412000220	WASHER	RONDELLE	1	\$1.67
23	3412000230	CAP SCREW	BOULON A TETE CYLINDRIQUE	2	\$2.01
24	3412000240	FRONT SUPPORT BRACKET	SUPPORT AVANT	1	\$6.50
25	3412000250	BEARING WASHER	RONDELLE DU ROULEMENT	1	\$2.59
26	3412000260	ARBOR BRACKET	SUPPORT DE L'ARBRE	1	\$194.98
27	3412000270	WASHER	RONDELLE	1	\$2.82
28	3412000280	HEX. NUT	ECROU HEXAGONAL	1	\$1.61
29	3412000290	HEX. BOLT	BOULON HEXAGONAL	1	\$1.90
30	3412000300	PIN	GOUPILLE	2	\$2.47
31	3412000310	SPRING WASHER	RONDELLE A RESORT	1	\$1.61
32	3412000320	HEX. NUT	ECROU HEXAGONAL	1	\$1.73
33	3412000330	SET SCREW	VIS SANS TETE	1	\$1.61
34	3412000340	ARBOR PULLEY	POULIE DE L'ARBRE	1	\$38.93
35	3412000350	RETAINING RING/SHAFT	ANNEAU DE RETENU/TIGE	1	\$2.13
36	3412000360	SET SCREW	VIS SANS TETE	1	\$2.13
37	3412000370	CAP SCREW	BOULON A TETE CYLINDRIQUE	1	\$2.13
38	3412000380	BALL BEARING	ROULEMENT A BILLES	1	\$17.19
39	3412000390	ARM	BRAS	1	\$160.71
40	3412000400	SPECIAL WASHER	RONDELLE SPECIALE	1	\$2.93
41	3412000410	LOCK NUT	ECROU DE VERROUILLAGE	1	\$3.74
42	3412000420	COVER	COUVERCLE	1	\$6.38
43	3412000430	RD. HD. SCREW	VIS A TETE RONDE	3	\$1.55
44	3412000440	KEY	CLE DE RETENUE	1	\$2.59
45	3412000450	SHAFT	TIGE	1	\$37.66

Pricing subject to change without prior notice. / Prix sujet à changement sans préavis.



Parts Pricing List / Liste de Prix des Pièces **KC-12DS**

Diag.	Order # Com.	English Description	Description Française	Qty./Qté.	Price/Prix
46	3412000460	RETAINING RING/SHAFT	ANNEAU DE RETENU/TIGE	1	\$2.13
47	3412000470	ARBOR WRENCH	CLE DE L'ARBRE	1	\$17.65
48	KSC-1240	BLADE	LAME	1	-
49	3412000490	V-BELT	COURROIE EN "V"	3	\$11.44
50	3412000500	SET SCREW	VIS SANS TETE	1	\$1.67
51	3412000510	MOTOR PULLEY	POULIE DU MOTEUR	1	\$45.60
52	3412000520	HEIGHT ADJUSTMENT SHAFT	TIGE D'AJUSTEMENT (HAUTEUR)	1	\$37.78
53	3412000530	LIMIT STUD	GOUPILLE D'ARRET	4	\$3.05
54	3412000540	KEY	CLE DE RETENUE	2	\$2.24
55	3412000550	WASHER	RONDELLE	2	\$2.24
56	3412000560	COLLAR	BAGUE	1	\$9.60
57	3412000570	TILT ADJUSTMENT SHAFT	TIGE D'AJUSTEMENT (INCLINAISON)	1	\$33.06
58	3412000580	INDICATOR	INDICATEUR	1	\$10.06
59	3412000590	WASHER	RONDELLE	1	\$1.61
60	3412000600	RD. HD. SCREW	VIS A TETE RONDE	1	\$1.67
61	3412000610	WORM GEAR	ENGRENAGE SANS FIN	2	\$45.83
62	3412000620	INDICATOR BRACKET	SUPPORT DE L'INDICATEUR	1	\$22.48
63	3412000630	HEX. NUT	ECROU HEXAGONAL	1	\$1.61
64	3412000640	SET SCREW	VIS SANS TETE	2	\$1.55
65	3412000650	HEX. BOLT	BOULON HEXAGONAL	1	\$1.78
66	3412000660	MOTOR MOUNT SUPPORT	SUPPORT DE MONTAGE DU MOTEUR	1	\$133.23
67	3412000670	HEX. BOLT	BOULON HEXAGONAL	2	\$2.01
68	3412000680	WASHER	RONDELLE	2	\$1.61
69	3412000690	HEX. BOLT	BOULON HEXAGONAL	4	\$2.01
70	3412000700	PIVOT SHAFT	TIGE DE PIVOTEMENT	1	\$8.45
71	3412000710	SPRING WASHER	RONDELLE A RESSORT	4	\$1.67
72	3412000720	HEX. NUT	ECROU HEXAGONAL	4	\$1.67
73	3412000730	MOTOR MOUNT PLATE	PLAQUE DE MONTAGE DU MOTEUR	1	\$96.43
74	3412000740	CAP SCREW	BOULON A TETE CYLINDRIQUE	2	\$1.67
75	3412000750	CAP SCREW	BOULON A TETE CYLINDRIQUE	2	\$2.70
76	3412000760	HEX. BOLT	BOULON HEXAGONAL	2	\$2.24
77	3412000770	HEX. NUT	ECROU HEXAGONAL	2	\$1.78
78	3412000780	FRONT TRUNNION BRACKET	SUPPORT DU TOURILLON AVANT	1	\$218.21
79	3412000790	SET SCREW	VIS SANS TETE	2	\$1.55
80	3412000800	BUSHING	BAGUE	2	\$9.03
81	3412000810	PIN	GOUPILLE	2	\$2.59
82	3412000820	FRONT TRUNNION	TOURILLON AVANT	1	\$194.98
83	3412000830	DUST DEFLECTOR	DEFLECTEUR DE POUSSIERE	1	\$14.66
84	3412000840	COTTER PIN	GOUPILLE	1	\$2.24
85	3412000850	LOCKING KNOB	BOUTON DE VERROUILLAGE	2	\$15.93
86	3412000860	SET SCREW	VIS SANS TETE	2	\$1.61
87	3412000870	HANDWHEEL (HEIGHT)	MANIVELLE (HAUTEUR)	1	\$84.58
88	3412000880	CAP SCREW	BOULON A TETE CYLINDRIQUE	2	\$2.13
89	3412000890	SHIELD PLATE	PLAQUE	1	\$16.85
90	3412000900	INDICATOR PLATE	PLAQUE DE L'INDICATEUR	1	\$12.48
91	3412000910	SCREW	VIS	2	\$1.67
92	3412000920	HANDWHEEL (TILTING)	MANIVELLE (INCLINAISON)	1	\$84.58

Pricing subject to change without prior notice. / Prix sujet à changement sans préavis.



Parts Pricing List / Liste de Prix des Pièces **KC-12DS**

Diag.	Order # Com.	English Description	Description Française	Qty./Qté.	Price/Prix
94-1	3412000941	HANDWHEEL HANDLE ASS'Y	POIGNEE DE LA MANIVELLE ASS.	1	\$14.55
96	3412000960	CABINET STAND (SPECIAL ORDER)	CABINET (COMMANDE SPECIALE)	1	-
97	3412000970	MAGNETIC SWITCH 220V-17.5AMP	INTERRUPTEUR MAGNETIQUE 220V	1	\$228.56
97-5	3412000975	MAGNETIC SWITCH (550V)	INTERRUPTEUR MAGNETIQUE (550V)	1	\$179.23
98	3412000980	SPRING WASHER	RONDELLE A RESSORT	4	\$1.67
99	3412000990	HEX. BOLT	BOULON HEXAGONAL	4	\$2.01
100	3412001000	SWITCH TO MOTOR WIRE	FIL DU MOTEUR A L'INTERRUPTEUR	1	\$27.43
101	3412001010	RD. HD. SCREW	VIS A TETE RONDE	2	\$1.61
102	3412001020	MOTOR (220V)	MOTEUR (220V)	1	\$573.85
102-2	3412001022	START. CAP. 400MFD-250VAC	CONDENSATEUR DE DEMARRAGE	1	\$41.23
102-3	3412001023	STARTER POINT	COMMUTATEUR DE DEMARRAGE	1	\$22.94
102-5	3412001025	MOTOR (550V)	MOTEUR (550V)	1	\$573.85
103	3412001030	GROMMET	ATTACHE-FIL	1	\$2.70
104	3412001040	DOOR	PORTE	1	\$113.45
105	KW-054	DADO TABLE INSERT	INSERTION DADO POUR TABLE	1	-
106	3412001060	TABLE TOP	TABLE	1	\$1,147.18
107	3412001070	TABLE INSERT	INSERTION DE TABLE	1	\$0.00
108	3412001080	SET SCREW	VIS SANS TETE	4	\$1.78
109	3412001090	HEX. BOLT	BOULON HEXAGONAL	6	\$2.13
110	3412001100	SPRING WASHER	RONDELLE A RESSORT	6	\$1.55
111	3412001110	TABLE EXTENSION	EXTENSION DE TABLE	2	\$362.25
111-1	3412001111	MITER GAUGE ASS'Y (CAST IRON)	GUIDE A ONGLETS ASS. (FONTE)	1	\$85.85
112	3412001120	HEX. BOLT	BOULON HEXAGONAL	1	\$2.24
113	3412001130	WASHER	RONDELLE	1	\$1.78
114	3412001140	HEX. BOLT	BOULON HEXAGONAL	2	\$2.24
115	3412001150	WASHER	RONDELLE	1	\$1.78
116	3412001160	UPPER SPREADER SUPPORT	BLOC SUPPORT SUPERIEUR	1	\$21.45
117	3412001170	LOWER SPREADER SUPPORT	BLOC SUPPORT INFERIEUR	1	\$23.98
118	3412001180	SPRING WASHER	RONDELLE A RESSORT	1	\$1.78
119	3412001190	GUARD SUPPORT ROD	TIGE DE SUPPORT DU GARDE	1	\$15.93
120	3412001200	COUNTERSUNK ALLEN SCREW	VIS HEXAGONALE A TETE FRAISEE	3	\$1.78
121	3412001210	LOCK NUT	ECROU DE VERROUILLAGE	1	\$2.24
122	3412001220	PLASTIC SCREW	VIS EN PLASTIQUE	2	\$3.16
123	3412001230	LOCK NUT	ECROU DE VERROUILLAGE	1	\$2.13
124	3412001240	LOCK KNOB	BOUTON DE VERROUILLAGE	1	\$3.74
125	3412001250	CAM WITH LOCKING LEVER	LEVIER DE VERROUILLAGE	1	\$16.96
126	3412001260	CLAMP SHOE	SABOT DE SERRAGE	1	\$5.58
127	3412001270	HEX. BOLT	BOULON HEXAGONAL	1	\$2.59
128	3412001280	MEASURING SCALE	RUBAN A MESURER	1	\$26.05
129	3412001290	GUIDE RAIL	TUBE GUIDE	1	\$132.19
130	3412001300	SPRING WASHER	RONDELLE A RESSORT	10	\$1.67
131	3412001310	HEX. BOLT	BOULON HEXAGONAL	6	\$1.67
132	3412001320	LENS BRACKET	SUPPORT DE LENTILLE	1	\$11.33
133	3412001330	HEX. BOLT	BOULON HEXAGONAL	1	\$2.59
134	3412001340	NYLON PAD	COUSSINET EN NYLON	3	\$2.70
135	3412001350	LENS	LENTILLE	3	\$7.99
136	3412001360	RD. HD. SCREW	VIS A TETE RONDE	3	\$1.55

Pricing subject to change without prior notice. / Prix sujet à changement sans préavis.



Parts Pricing List / Liste de Prix des Pièces **KC-12DS**

Diag.	Order # Com.	English Description	Description Française	Qty./Qté.	Price/Prix
137	3412001370	WASHER	RONDELLE	1	\$1.50
138	3412001380	SET SCREW	VIS SANS TETE	2	\$1.67
139	3412001390	HEX. BOLT	BOULON HEXAGONAL	6	\$1.90
140	3412001400	WASHER	RONDELLE	6	\$1.61
141	3412001410	SPRING WASHER	RONDELLE A RESSORT	6	\$1.67
142	3412001420	HEX. NUT	ECROU HEXAGONAL	6	\$1.67
143	3412001430	FENCE BODY	CORPS DU GUIDE A REFENDRE	1	\$153.70
144	3412001440	FENCE PANEL	PANNEAU DU GUIDE A REFENDRE	2	\$51.58
145	3412001450	HEX. BOLT	BOULON HEXAGONAL	3	\$1.90
147	3412001470	SPACER	ESPACEUR	4	\$4.43
148	3412001480	PLASTIC PAD	COUSSINET EN PLASTIQUE	1	\$4.43
149	3412001490	CAP SCREW	BOULON A TETE CYLINDRIQUE	2	\$2.01
150	3412001500	REAR RAIL	RAIL ARRIERE	1	\$101.95
151	3412001510	FRONT RAIL	RAIL AVANT	1	\$109.77
152	3412001520	MITER GAUGE HANDLE	POIGNEE DU GUIDE A ONGLETS	1	\$12.59
153	3412001530	WASHER	RONDELLE	1	\$1.67
154	3412001540	MITER GAUGE BODY	CORPS DU GUIDE A ONGLETS	1	\$44.56
155	3412001550	LOCK NUT	ECROU DE VERROUILLAGE	3	\$1.61
156	3412001560	RD. HD. SCREW	VIS A TETE RONDE	3	\$1.67
157	3412001570	INDICATOR	INDICATEUR	1	\$3.39
158	3412001580	SET SCREW	VIS SANS TETE	1	\$1.61
159	3412001590	MITER GAUGE STOP	ARRET DU GUIDE A ONGLETS	1	\$3.05
160	3412001600	MITER GAUGE BAR	BARRE DU GUIDE A ONGLETS	1	\$20.30
161	3412001610	SET SCREW	VIS SANS TETE	1	\$1.55
162	3412001620	ROLLER GUIDE	RONDELLE DE LA RAINURE	1	\$3.74
163	3412001630	SINKING HEAD SCREW	VIS A TETE FRAISER	1	\$2.13
164	3412001640	PLASTIC BLADE GUARD	GARDE DE LAME TRANSPARENT	1	\$45.94
165	3412001650	SPRING	RESSORT	1	\$3.85
166	3412001660	GUARD SUPPORT	SUPPORT DU GARDE	1	\$22.83
167	3412001670	PIN	GOUPILLE	1	\$3.05
168	3412001680	PUSH NUT	RONDELLE AUTO-BLOQUANTE	4	\$2.13
169	3412001690	SPACER	ESPACEUR	2	\$2.24
170	3412001700	PIN	GOUPILLE	1	\$2.24
171	3412001710	SPREADER	SEPARATEUR	1	\$44.45
172	3412001720	PIN	GOUPILLE	1	\$2.24
173	3412001730	SELF- LOCKING RING	ANNEAU AUTO-BLOCANTE	2	\$2.24
174	3412001740	ANTI KICKBACK PAWL	DOIGT ANTI-RECU	2	\$6.15
222-2	3412002222	COMPLETE RIP FENCE ASS'Y	GUIDE A REFENDRE COMPLET ASS.	1	\$222.81
333-3	3412003333	BLADE GUARD ASS'Y	PROTEGE-LAME COMPLET ASS.	1	\$113.56
444-4	3412004444	COMPLETE RAIL SYSTEM	SYSTEME DE BARRES COMPLET	1	\$206.94
555-5	3412005555	COMPLETE HARDWARE BAG	SAC DE QUICAILLERIE COMPLET	1	\$40.65
	341200MENG	ENGLISH MANUAL KC-12DS	MANUEL ANGLAIS KC-12DS	1	\$15.00

Pricing subject to change without prior notice. / Prix sujet à changement sans préavis.

Free Manuals Download Website

<http://myh66.com>

<http://usermanuals.us>

<http://www.somanuals.com>

<http://www.4manuals.cc>

<http://www.manual-lib.com>

<http://www.404manual.com>

<http://www.luxmanual.com>

<http://aubethermostatmanual.com>

Golf course search by state

<http://golfingnear.com>

Email search by domain

<http://emailbydomain.com>

Auto manuals search

<http://auto.somanuals.com>

TV manuals search

<http://tv.somanuals.com>