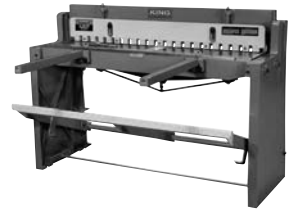




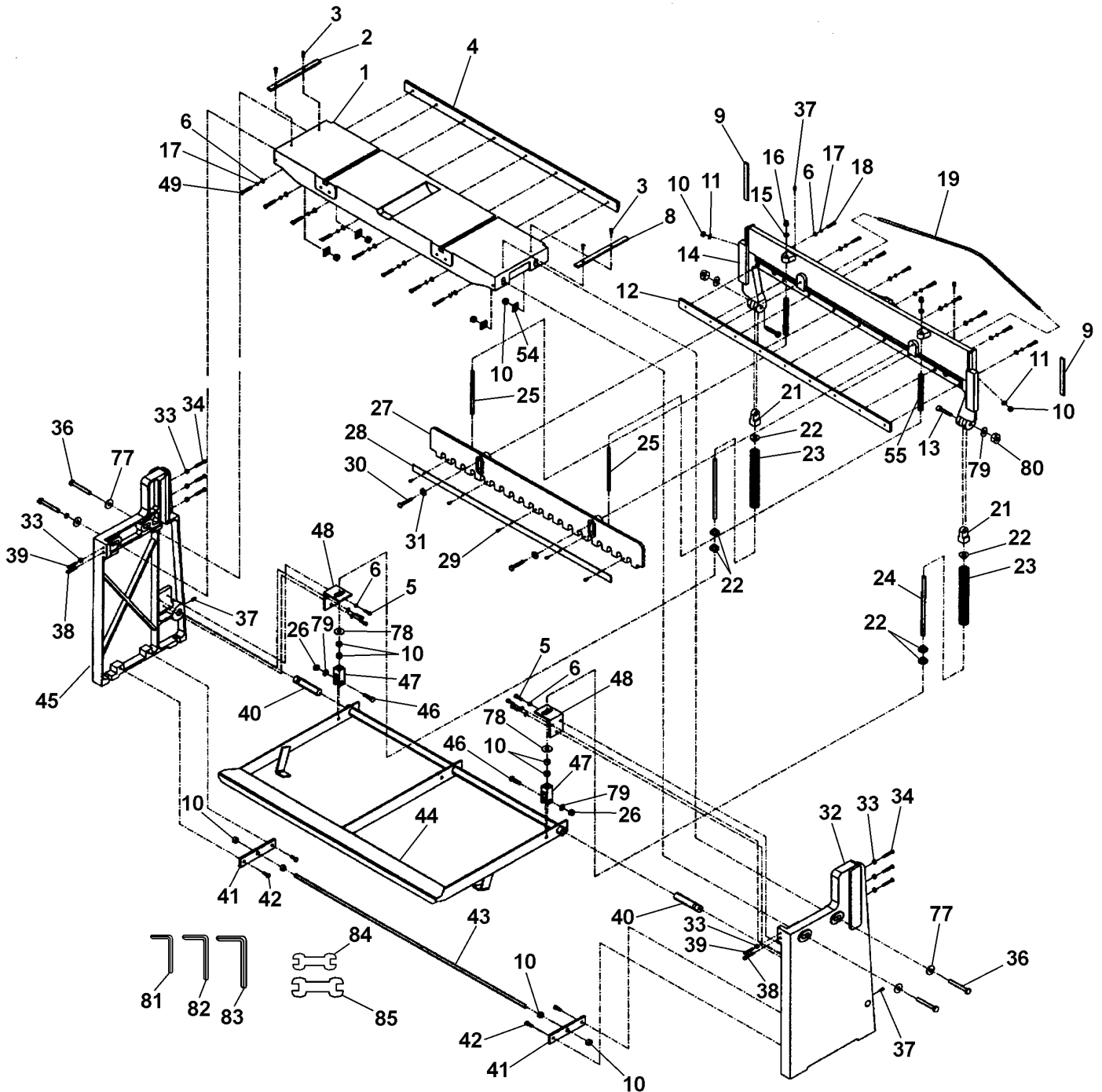
# 52" Foot Shear Cisailleuse 52"



Revised/Revisé 08/2008

Main Diagram / Diagramme Principale

**BB-F5216**





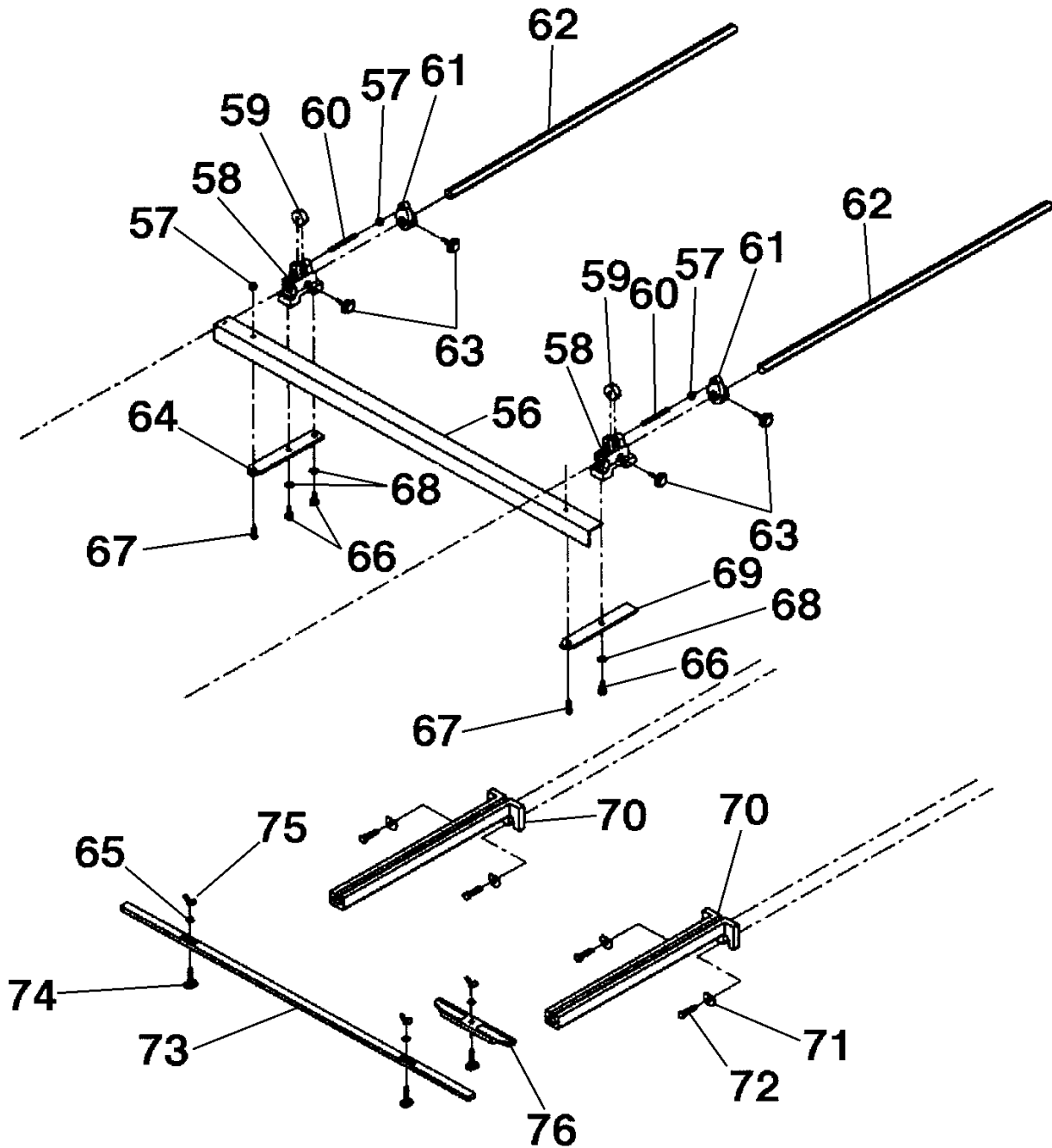
# 52" Foot Shear Cisailleuse 52"



Revised/Revisé 08/2008

Gauge Diagram / Diagrammes des Jauges

**BB-F5216**





## Parts Pricing List / Liste de Prix des Pièces **BB-F5216**

Diag.	Order # Com.	English Description	Description Française	Qty./Qté.	Price/Prix
1	6052160010	TABLE	TABLE	1	\$1,144.25
2	6052160020	LEFT GUIDE WITH SCALE	GUIDE GAUCHE AVEC REGLE	1	\$57.44
3	6052160030	HEX. BOLT	BOULON HEXAGONAL	4	\$1.78
4	6052160040	UPPER BLADE	LAME DU HAUT	1	\$456.55
5	6052160050	HEX. BOLT	BOULON HEXAGONAL	6	\$2.59
6	6052160060	WASHER	RONDELLE	23	\$1.67
8	6052160080	RIGHT GUIDE WITH SCALE	GUIDE DROIT AVEC REGLE	1	\$57.44
9	6052160090	GIB	GLISSIERE	2	\$30.88
10	6052160100	HEX. NUT	ECROU HEXAGONAL	15	\$2.47
11	6052160110	FLAT WASHER	RONDELLE	2	\$2.82
12	6052160120	LOWER BLADE	LAME DU BAS	1	\$456.55
13	6052160130	TOP SWIVEL BOLT	BOULON DE PIVOTEMENT DU HAUT	2	\$11.44
14	6052160140	CUTTERHEAD	TETE DE COUPE	1	\$677.35
15	6052160150	HEX. NUT	ECROU HEXAGONAL	2	\$2.47
16	6052160160	ACORN NUT	ECROU A CALOTTE	2	\$3.74
17	6052160170	LOCK WASHER	RONDELLE A RESSORT	17	\$1.55
18	6052160180	HEX. BOLT	BOULON HEXAGONAL	9	\$3.16
19	6052160190	TENSION ROD	TIGE DE TENSION	1	\$34.44
21	6052160210	TOP SWIVEL	PIVOTEMENT DU HAUT	2	\$34.44
22	6052160220	SPECIAL WASHER	RONDELLE SPECIALE	6	\$11.44
23	6052160230	SPRING	RESSORT	2	\$83.78
24	6052160240	THREADED ROD	TIGE FILETEE	2	\$11.44
25	6052160250	THREADED ROD	TIGE FILETEE	2	\$10.29
26	6052160260	HEX. NUT	ECROU HEXAGONAL	2	\$1.78
27	6052160270	HOLD DOWN	APPUI	1	\$212.75
28	6052160280	FINGER GUARD	GARDE EN DOIGTS	1	\$13.51
29	6052160290	PAN HD SCREW	VIS A TETE BOMBEE	5	\$1.78
30	6052160300	HEX. BOLT	BOULON HEXAGONAL	2	\$2.93
31	6052160310	WASHER	RONDELLE	2	\$2.47
32	6052160320	RIGHT SUPPORT	SUPPORT DROIT	1	\$546.25
33	6052160330	HEX. NUT	ECROU HEXAGONAL	8	\$1.73
34	6052160340	CAP SCREW	BOULON A TETE CYLINDRIQUE	6	\$2.47
36	6052160360	HEX. BOLT	BOULON HEXAGONAL	4	\$3.16
37	6052160370	SET SCREW	VIS SANS TETE	2	\$2.24
38	6052160380	CAP SCREW	BOULON A TETE CYLINDRIQUE	2	\$2.47
39	6052160390	CAP SCREW	BOULON A TETE CYLINDRIQUE	2	\$2.47
40	6052160400	PIN	GOUPILLE	2	\$28.69
41	6052160410	PLATE	PLAQUE	2	\$22.94
42	6052160420	HEX. BOLT	BOULON HEXAGONAL	4	\$2.19
43	6052160430	THREADED ROD	TIGE FILETEE	1	\$33.29
44	6052160440	PEDAL ASSEMBLY	PEDALE ASSEMBLEE	1	\$281.75
45	6052160450	LEFT SUPPORT	SUPPORT GAUCHE	1	\$546.25
46	6052160460	BOTTOM SWIVEL BOLT	BOULON DE PIVOTEMENT DU BAS	2	\$3.74
47	6052160470	BOTTOM SWIVEL	PIVOTEMENT DU BAS	2	\$45.94
48	6052160480	BRACKET	SUPPORT	2	\$29.73
49	6052160490	HEX. BOLT	BOULON HEXAGONAL	8	\$2.47
54	6052160540	SQUARE SPRING WASHER	RONDELLE A RESSORT CARREE	4	\$3.62

Pricing subject to change without prior notice. / Prix sujet à changement sans préavis.



## ® Parts Pricing List / Liste de Prix des Pièces **BB-F5216**

Diag.	Order # Com.	English Description	Description Française	Qty./Qté.	Price/Prix
55	6052160550	SPRING	RESSORT	2	\$22.94
56	6052160560	BACK GAUGE STOP	ARRET DE JAUGE ARRIERE	1	\$86.19
57	6052160570	HEX. NUT	ECROU HEXAGONAL	3	\$1.73
58	6052160580	ADJUSTING BLOCK	BLOC D'AJUSTEMENT	2	\$34.44
59	6052160590	ADJUSTING DIAL	CADRAN D'AJUSTEMENT	2	\$11.44
60	6052160600	THREADED STUD	TIGE FILETEE	2	\$3.39
61	6052160610	BRACKET	SUPPORT	2	\$9.14
62	6052160620	BACK GAUGE ROD	TIGE DE LA JAUGE ARRIERE	2	\$80.33
63	6052160630	KNOB	BOUTON	4	\$9.14
64	6052160640	LEFT EXTENSION BAR (3 HOLES)	BARRE D'EXTENSION GAUCHE (3 TR.)	1	\$17.19
65	6052160650	WASHER	RONDELLE	5	\$1.67
66	6052160660	HEX. BOLT	BOULON HEXAGONAL	3	\$2.01
67	6052160670	SWIVEL BOLT	BOULON DE PIVOTEMENT	2	\$6.84
68	6052160680	FLAT WASHER	RONDELLE	3	\$1.67
69	6052160690	RIGHT EXTENSION BAR (2 HOLES)	BARRE D'EXTENSION DROITE (2 TR.)	1	\$17.19
70	6052160700	FRONT GAUGE ARM	BRAS AVANT	2	\$68.94
71	6052160710	ADJUSTING WASHER	RONDELLE D'AJUSTEMENT	4	\$3.39
72	6052160720	HEX. BOLT	BOULON HEXAGONAL	4	\$2.19
73	6052160730	FRONT GAUGE STOP	ARRET DU JAUGE AVANT	1	\$91.94
74	6052160740	T-BOLT	BOULON EN "T"	3	\$11.44
75	6052160750	WING NUT	ECROU PAPILLON	3	\$2.70
76	6052160760	BEVEL GAUGE	JAUGE DU BISEAU	1	\$17.19
77	6052160770	WASHER	RONDELLE	4	\$3.16
78	6052160780	WASHER	RONDELLE	2	\$3.16
79	6052160790	SPRING WASHER	RONDELLE A RESSORT	4	\$1.78
80	6052160800	HEX. NUT	ECROU HEXAGONAL	2	\$1.78
81	6052160810	HEX. KEY (5MM)	CLE HEXAGONALE (5MM)	1	\$2.82
82	6052160820	HEX. KEY (6MM)	CLE HEXAGONALE (6MM)	1	\$2.93
83	6052160830	HEX. KEY (8MM)	CLE HEXAGONALE (8MM)	1	\$3.05
84	6052160840	OPEN END WRENCH (12-14MM)	CLE OUVERTE (12-14MM)	1	\$4.54
85	6052160850	OPEN END WRENCH (17-19MM)	CLE OUVERTE (17-19MM)	1	\$4.89
	605216MBIL	BILINGUAL MANUAL BB-F5216	MANUEL BILINGUE BB-F5216	1	\$15.00

Pricing subject to change without prior notice. / Prix sujet à changement sans préavis.

## Free Manuals Download Website

<http://myh66.com>

<http://usermanuals.us>

<http://www.somanuals.com>

<http://www.4manuals.cc>

<http://www.manual-lib.com>

<http://www.404manual.com>

<http://www.luxmanual.com>

<http://aubethermostatmanual.com>

Golf course search by state

<http://golfingnear.com>

Email search by domain

<http://emailbydomain.com>

Auto manuals search

<http://auto.somanuals.com>

TV manuals search

<http://tv.somanuals.com>