

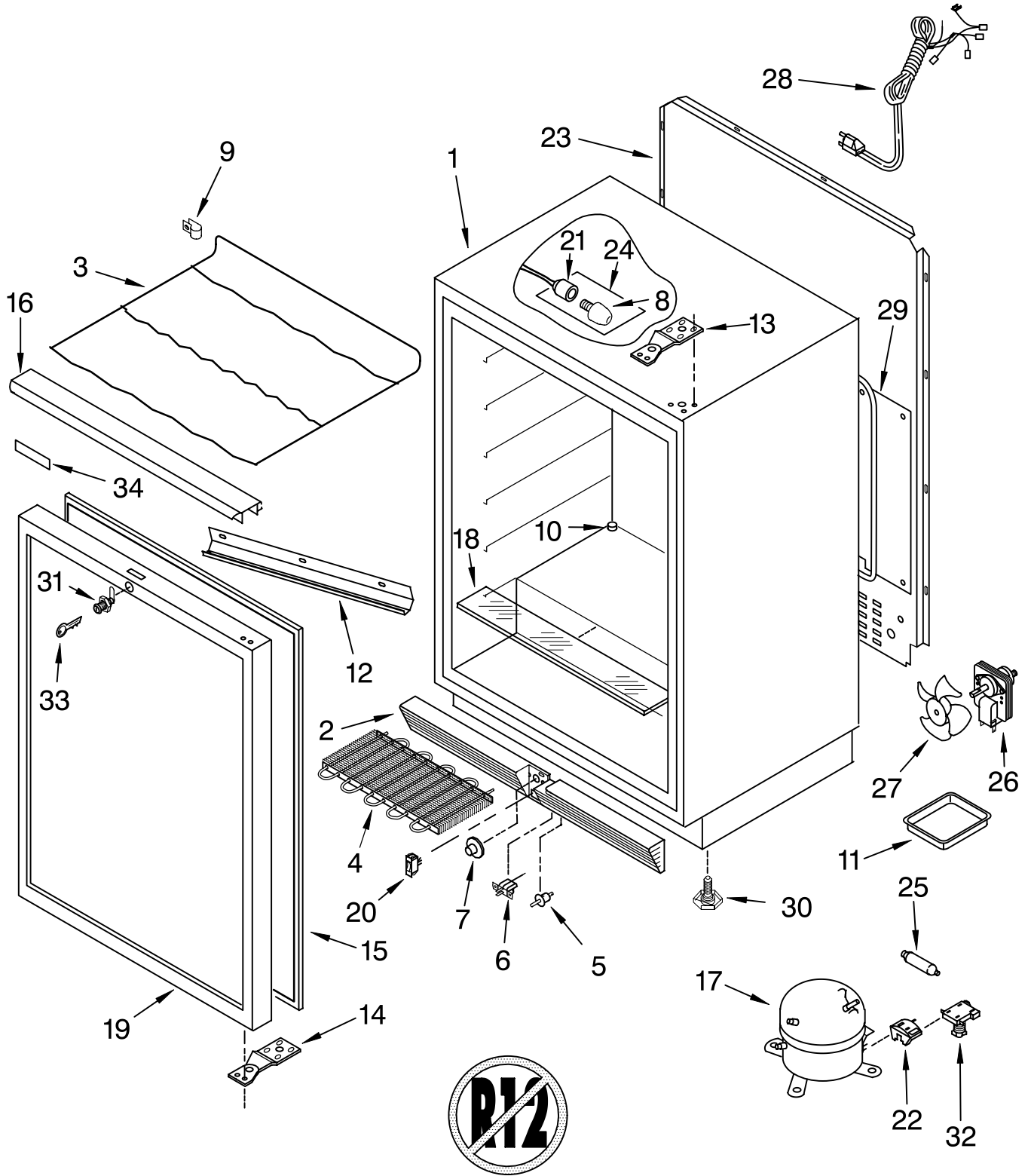
For Models: KUWS246EWH01, KUWS246EBL01, KUWS246EBT01, KUWS246ESS01

(White)

(Black)

(Biscuit)

(Stainless Steel)



FOR ORDERING INFORMATION REFER TO PARTS PRICE LIST

# CABINET PARTS

For Models: KUWS246EWH01, KUWS246EBL01, KUWS246EBT01, KUWS246ESS01  
 (White) (Black) (Biscuit) (Stainless Steel)

Illus. No.	Part No.	DESCRIPTION	Illus. No.	Part No.	DESCRIPTION	Illus. No.	Part No.	DESCRIPTION
1		Cabinet (Not A Serviceable Part)	15		Door Gasket	29	4344634	Evaporator And Heat Exchanger
2		Grille		4344618	White	30	4344635	Leveler Feet
	4344603	White		4344639	Grey	31	4344636	Lock (Includes Key)
	4344604	Black	16		Door Handle	32	4344638	Relay
	4344644	Biscuit		4344619	White	33	4344637	Key
3		Wine Shelf		4344620	Black	34		Nameplate
	4344656	White		4344646	Biscuit		2205367	White and Biscuit Models
	4344657	Chrome	17		Compressor (Includes Items 22, 25 & 32)		2205369	Black and Stainless Steel Models
4	4344606	Condenser		4344621	Compressor (Includes Items 22, 25 & 32)			
5	4344607	Door Switch	18	4344622	Glass Shelf, Half			
6	4344608	Thermostat	19		Door Assembly (Includes Items 15, 16 & 31)			
7	4344609	Knob, Thermostat		4344623	White			
8	4344602	Light Bulb		4344624	Black			
9	4344610	Shelf Clip		4344645	Biscuit			
10	4344611	Drain Cup		4344649	Stainless			
11	4344612	Drain Pan	20	4344625	Light Switch			
12	4344613	Drain Through	21	4344626	Light Socket			
13		Hinge, Top	22	4344627	Overload			
	4344640	White	23	4344628	Back Panel			
	4344641	Black	24	4344629	Light Cover			
	4344647	Biscuit	25	4344630	Drier			
	4344651	Stainless	26	4344631	Fan Motor			
14		Hinge, Bottom	27	4344632	Fan Blade			
	4344642	White	28	4344633	Power Cord			
	4344643	Black						
	4344648	Biscuit						
	4344652	Stainless						

**REFRIGERANT CHARGE**

3.0 oz.  
(R-134A)

**LITERATURE PARTS**

**LITERATURE PARTS**

LIT4344600 Use & Care Guide  
 LIT4344601 Installation Guide



FOR ORDERING INFORMATION REFER TO PARTS PRICE LIST

## Free Manuals Download Website

<http://myh66.com>

<http://usermanuals.us>

<http://www.somanuals.com>

<http://www.4manuals.cc>

<http://www.manual-lib.com>

<http://www.404manual.com>

<http://www.luxmanual.com>

<http://aubethermostatmanual.com>

Golf course search by state

<http://golfingnear.com>

Email search by domain

<http://emailbydomain.com>

Auto manuals search

<http://auto.somanuals.com>

TV manuals search

<http://tv.somanuals.com>