

KitchenAid[®]
PRO LINE™

BURR COFFEE MILL

INSTRUCTIONS AND RECIPES

**MOULIN À CAFÉ
À MEULES**

INSTRUCTIONS ET RECETTES

MOLINO DE CAFÉ

INSTRUCCIONES Y RECETAS

KPCG100



FOR THE WAY IT'S MADE.™
BIEN PENSÉ. BIEN FABRIQUÉ.™

® Registered trademark/Marque déposée/Marca registrada KitchenAid, U.S.A.

™ Trademark/Marque de commerce/Marca de comercio KitchenAid, U.S.A.,

KitchenAid Canada licensee in Canada/Emploi sous licence par KitchenAid Canada au Canada.

© 2007. All rights reserved. Tous droits réservés. Todos los derechos reservados.

Specifications subject to change without notice. / Les spécifications sont sujettes à
changement sans préavis. / Especificaciones sujetas a cambio sin previo aviso.

5816dZw507

Download from Www.Somanuals.com. All Manuals Search And Download.



USA: 1-800-541-6390
Canada: 1-800-807-6777

KitchenAid.com
KitchenAid.ca

PROOF OF PURCHASE & PRODUCT REGISTRATION

Always keep a copy of the sales receipt showing the date of purchase of your Burr Coffee Mill. Proof of purchase will assure you of in-warranty service.

Before you use your Burr Coffee Mill, please fill out and mail your product registration card packed with the unit. This card will enable us to contact you in the unlikely event of a product safety notification and assist us in complying with the provisions of the Consumer Product Safety Act. This card does not verify your warranty.

Please complete the following for your personal records:

Model Number _____

Serial Number _____

Date Purchased _____

Store Name and Location _____

PREUVE D'ACHAT ET ENREGISTREMENT DU PRODUIT

Veuillez conserver une copie du coupon de caisse indiquant la date d'achat de votre moulin à café à meules. La preuve d'achat vous assure du service d'après-vente sous garantie.

Avant d'utiliser votre moulin à café, veuillez remplir et poster la carte d'enregistrement du produit accompagnant l'appareil. Grâce à cette carte, nous pourrions vous appeler dans l'éventualité improbable d'un avis de sécurité et nous conformer plus facilement aux dispositions de la loi sur la sécurité des produits de consommation. Cette carte ne confirme pas votre garantie.

Veuillez remplir ce qui suit pour vos dossiers personnels :

Numéro de modèle _____

Numéro de série _____

Date d'achat _____

Nom du marchand et adresse _____

COMPROBANTE DE COMPRA Y REGISTRO DEL PRODUCTO

Siempre conserve una copia del recibo de ventas que especifique la fecha de compra de su molino de café. El comprobante de compra le asegurará el servicio técnico bajo garantía.

Antes de utilizar el molino de café, complete y envíe por correo su tarjeta de registro del producto que viene junto con la unidad. Esta tarjeta nos permitirá contactarnos con usted en el improbable caso de una notificación de algún problema de seguridad con el producto y nos ayudará a cumplir con las cláusulas de la Consumer Product Safety Act (Ley sobre la seguridad de los productos para el consumidor). Esta tarjeta no asegura su garantía.

Complete lo siguiente para su registro personal:

Número del modelo _____

Número de serie _____

Fecha de compra _____

Nombre de la tienda y dirección _____

TABLE OF CONTENTS

INTRODUCTION

Proof of Purchase & Product Registration	Inside Front Cover
Burr Coffee Mill Safety	2
Important Safeguards	3
Electrical Requirements	4

FEATURES AND OPERATION

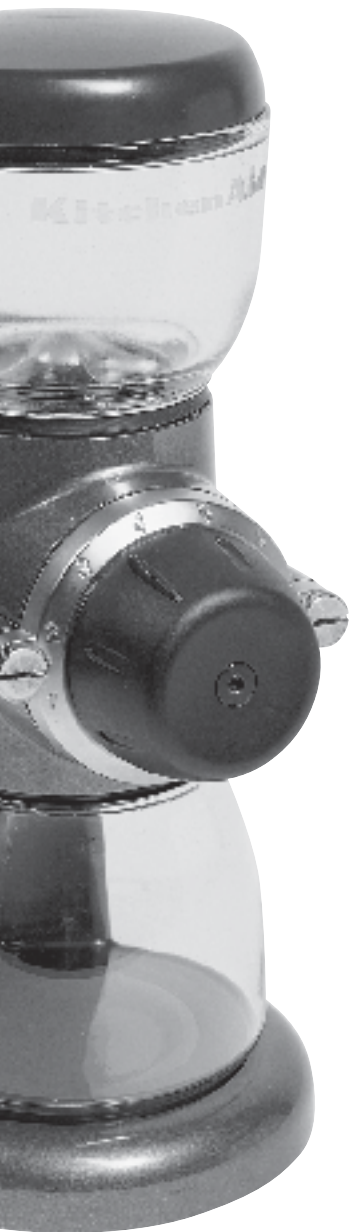
Burr Coffee Mill Features	5
Using the Burr Coffee Mill	7
Before First Use	7
Operating the Burr Coffee Mill	7
Grind Setting Table	8
Adjusting the Cutting Burrs	9
Adjusting for Maximum Grind Fineness	9
Adjusting to Provide Coarser Grinds	10
Burr Coffee Mill Tips	11
How the Grind Affects Flavor	12

CARE AND CLEANING

Cleaning the Motor Housing & Hoppers	13
Cleaning the Cutting Burrs	13
Adjusting the Cutting Burrs for Wear	15
Replacing the Cutting Burrs	15
Troubleshooting	16

WARRANTY AND SERVICE INFORMATION

KitchenAid® PRO LINE™ Burr Coffee Mill Warranty	17
Hassle-Free Replacement Warranty –	
50 United States and District of Columbia	18
Hassle-Free Replacement Warranty – Canada	18
How to Arrange for Warranty Service in Puerto Rico	18
How to Arrange for Service after the Warranty Expires –	
All Locations	19
How to Arrange for Service Outside these Locations	19
How to Order Accessories and Replacement Parts	20



BURR COFFEE MILL SAFETY

Your safety and the safety of others are very important.

We have provided many important safety messages in this manual and on your appliance. Always read and obey all safety messages.



This is the safety alert symbol.

This symbol alerts you to potential hazards that can kill or hurt you and others.

All safety messages will follow the safety alert symbol and either the word "DANGER" or "WARNING." These words mean:

 **DANGER**

You can be killed or seriously injured if you don't immediately follow instructions.

 **WARNING**

You can be killed or seriously injured if you don't follow instructions.

All safety messages will tell you what the potential hazard is, tell you how to reduce the chance of injury, and tell you what can happen if the instructions are not followed.

IMPORTANT SAFEGUARDS

When using electrical appliances, basic safety precautions should always be followed, to reduce the risk of fire, electric shock, and/or injury to persons including the following:

1. Read all instructions.
2. To protect against the risk of electric shock, do not put the Burr Coffee Mill in water or other liquids.
3. Close supervision is necessary when any appliance is used by or near children.
4. Unplug the Burr Coffee Mill from the outlet when not in use, before putting on or taking off parts, and before cleaning.
5. Avoid contacting moving parts.
6. Do not operate any appliance with a damaged cord or plug, or after the appliance malfunctions or is dropped or damaged in any manner. Return the appliance to the nearest authorized service facility for examination, repair, or electrical or mechanical adjustment.
7. The use of attachments not recommended or sold by KitchenAid may cause fire, electric shock, or injury.
8. Do not use outdoors.
9. Do not let cord hang over edge of table or counter, or touch hot surfaces.
10. Check the bean hopper for the presence of foreign objects before using.
11. This product is UL Listed for household and commercial use.
12. This product is cUL Listed for household and commercial use in Canada.

SAVE THESE INSTRUCTIONS

ELECTRICAL REQUIREMENTS

⚠ WARNING



Electrical Shock Hazard

Plug into a grounded 3 prong outlet.

Do not remove ground prong.

Do not use an adapter.

Failure to follow these instructions can result in death, fire, or electrical shock.



VOLTS: 120 V.A.C.

HERTZ: 60 HZ

NOTE: This Burr Coffee Mill has a 3 prong grounded plug. To reduce the risk

of electrical shock, this plug will fit in an outlet only one way. If the plug does not fit in the outlet, contact a qualified electrician. Do not modify the plug in any way.

A short power-supply cord is provided to reduce the risk resulting from becoming entangled in or tripping over a longer cord. Extension cords are available and may be used.

If an extension cord is used:

- The marked electrical rating of the extension cord should be at least as great as the electrical rating of the appliance.
- The extension cord should be a grounding-type 3 wire cord.
- The cord should be arranged so it will not drape over the countertop or tabletop where it can be pulled on by children or tripped over.

BURR COFFEE MILL FEATURES

Motor Housing

Die-cast metal housing is stable, durable, and easy to clean.



Bean Hopper

7 oz. (200 g) capacity bean hopper unscrews from the motor housing for simple cleaning. Press-fit hopper lid makes for quick and easy filling. Hopper and lid are dishwasher-safe (top rack only).



Coffee Bin

Coffee bin is glass to minimize the static "cling" of coffee grinds. Bin is dishwasher-safe (top rack only).



Bin Platform

Platform pad seats the coffee bin under the grinding spout.



Bin Seal Plate

Plate helps position the coffee bin under the grinding spout and prevents coffee grinds from escaping.



Grind Control Dial

Large, easy-to-use dial selects one of 15 grind levels in half-step increments from 1 to 8.



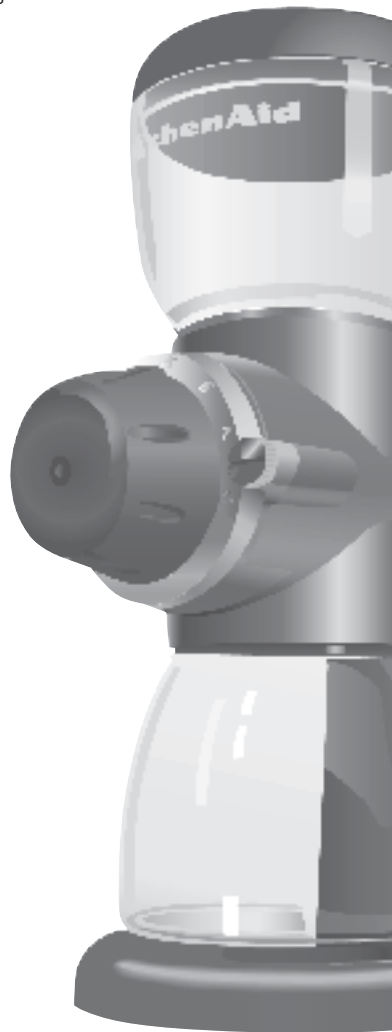
Grind Level Ring

Metal ring displays grind levels 1 (coarse) through 8 (fine).



On/Off Switch

Switch "On" to grind, "Off" to stop.



Continued...

BURR COFFEE MILL FEATURES



Faceplate Assembly & Screws

Assembly includes the grind control dial and grind level ring. Two faceplate screws attach the faceplate assembly to the motor housing. Loosen the screws and remove the faceplate assembly to access the burrs. When reassembling the faceplate, the two screws must be tightened simultaneously to allow the faceplate to sit flush with the Burr Coffee Mill.



Precision Stainless Steel Cutting Burrs

Large 2¼-inch (5.7 cm) diameter flat cutting burrs provide long life and superb grind consistency. Burrs can be adjusted to compensate for wear, or calibrated to meet stringent Specialty Coffee Association of America guidelines for espresso and French Press grinds.

Low-RPM Operation

A special DC motor and gear reduction system slows the rotation of the cutting burrs, minimizing the frictional heating of the grinds and preserving coffee flavor and aroma. The low rpm operation also reduces the static charge – and “cling” – of coffee grinds.

Power Cord with Tie

Round cord has no grind-trapping seams; the tie can be used to bundle any excess.

One-Piece Metal Base with No-Slip Rubber Feet

Metal base provides a stable platform for the mill. Rubber feet dampen noise and vibration, and help protect the countertop.



Burr Cleaning Brush

Dense bristles sweep grinds from the cutting burrs quickly and easily.

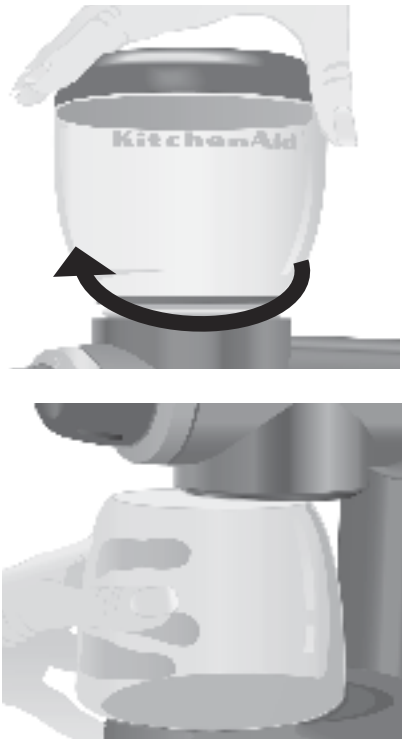
USING THE BURR COFFEE MILL

Before First Use

Before using the Burr Coffee Mill, wipe the motor housing and cord with a clean damp cloth. Wash the bean hopper, hopper lid, and coffee bin in hot soapy water, then rinse and dry. The bean hopper, hopper lid, and coffee bin can also be washed in the top rack of a dishwasher.

Operating the Burr Coffee Mill

1. Make certain the Burr Coffee Mill is unplugged. Attach the bean hopper to the top of the motor housing by turning the hopper clockwise until snug.
2. Slide the coffee bin onto the bin platform; the bin seal plate on the motor housing will compress slightly to accommodate the bin. Make certain the bin is centered in the middle of the bin platform.
3. Fill the bean hopper to the level desired. At maximum, the hopper holds 7 oz. (200 g) of beans.



⚠ WARNING



Electrical Shock Hazard

Plug into a grounded 3 prong outlet.

Do not remove ground prong.

Do not use an adapter.

Failure to follow these instructions can result in death, fire, or electrical shock.

NOTE: This product is intended to grind whole coffee beans only.

4. Place the hopper lid onto the hopper.
5. Plug into a grounded 3 prong outlet. The tie provided on the power cord can be used to bundle any excess cord.

Continued...

USING THE BURR COFFEE MILL

6. Select the grind by turning the grind control dial to the desired setting on the grind level ring. See the grind setting table below to match the grind level to your brewing process. With use, you'll be able to refine the settings to match your own tastes.

NOTE: Because partially ground coffee beans may remain between the burrs after the Burr Coffee Mill is turned off, selecting a finer grind may be easier when the Burr Coffee Mill is running.

7. To grind coffee, flip the On/Off Switch to the "On" position.
8. When the desired amount of coffee has been ground, flip the On/Off Switch to the "Off" position, remove the coffee container, and scoop out the ground coffee.



Grind Setting Table

Setting	Grind	For	Average Grind Size produced by the Burr Coffee Mill before adjustment
8	Fine	Espresso	325 microns
5	Medium	Automatic Drip	750 microns
1	Coarse	French Press	1250 microns

ADJUSTING THE CUTTING BURRS

From the factory, the KitchenAid® PRO LINE™ Burr Coffee Mill will provide grinds suitable for almost all types of brewing. If you're an espresso or French Press aficionado, however, you may wish to adjust the cutting burrs to provide optimum performance for your style of brewing. With adjustment, the Burr Coffee Mill will easily meet stringent Specialty Coffee Association of America grind-size specifications for espresso (250 micron grind size) or French Press brewing (1500 micron grind size).

Adjusting for Maximum Grind Fineness

Adjusting the mill to provide maximum fineness will slightly decrease the grind sizes throughout the grinding range. (To adjust the mill to provide coarser grinds, see page 10.)

1. Empty the bean hopper, then run the mill a few seconds to clear any remaining beans from the machine.
2. Turn the grind control dial to level "8".
3. Using a $\frac{5}{32}$ -inch (4 mm) allen wrench or hex-head screwdriver, remove the screw located in the front of the grind control dial by turning it counter-clockwise. Hold the grind control dial so that it does not rotate as the screw is removed. Once the screw is free, remove the grind control dial.



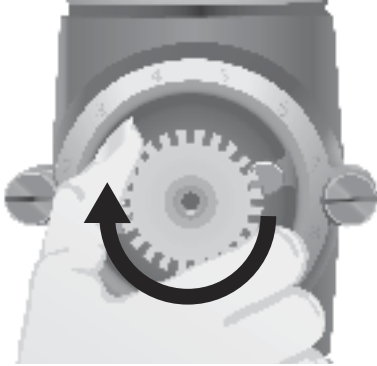
The white grind control gear should be visible once the grind control dial is removed.

4. Turn on the mill by flipping the On/Off Switch to the "On" position.

Continued...

ADJUSTING THE CUTTING BURRS

5. Rotate the grind control gear clockwise one “click” or detent at a time until you hear the burrs touching one another – when they touch, the burrs will make a distinct “rubbing” or grating sound.



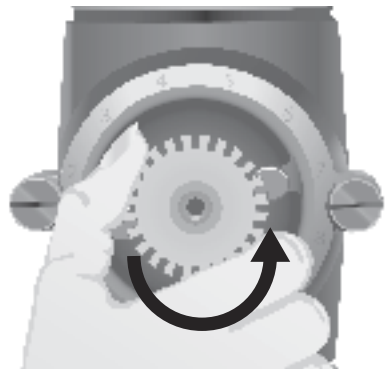
6. When the burrs are touching, turn the grind control gear counter-clockwise one “click” or detent. The grating or “rubbing” sound will stop. Turn off the mill by flipping the On/Off Switch to the “Off” position. The mill is now calibrated to provide maximum fineness.
7. Re-attach the grind control dial, making certain the dial indicator points to grind level “8”.

NOTE: If the Burr Coffee Mill produces a grating or “rubbing” sound during use, the burrs have been improperly adjusted. To avoid damage to the burrs, readjust the burrs immediately.

Adjusting to Provide Coarser Grinds

When the Burr Coffee Mill is adjusted to provide coarser grinds, grind sizes will increase throughout the grinding range and the finest level may become too coarse for espresso. (To re-calibrate the Burr Coffee Mill for maximum grind fineness, see page 9.)

1. Turn the grind control dial to level “1”.
2. Using a $\frac{5}{32}$ -inch (4 mm) allen wrench or hex-head screwdriver, remove the screw located in the front of the grind control dial by turning it counter-clockwise. Once the screw is free, remove the grind control dial. The white grind control gear should be visible once the dial is removed.
3. Rotate the grind control gear counter-clockwise one “click” or detent at a time until the “clicking” sound diminishes and the gear offers little resistance to being turned.



4. Re-attach the grind control dial, making certain the dial indicator points to level “1”.

BURR COFFEE MILL TIPS



- Select the correct grind for the brew process you are using. Fifteen grind levels are available in half-step increments from 1 to 8. Level 8 produces a very fine grind perfect for espresso, 4½ to 6 are medium grinds appropriate for automatic drip coffee makers, and 1 is a coarse grind suited to French Press brewing. Experiment – your tastes may be better served by using a slightly finer or coarser grind.

• For standard drip-process coffee, a good starting point is to use 1 oz. (28 g) of coffee for every 4 cups (17 oz. [500 ml]) of brew water as measured with a carafe (a carafe “cup” is about 4¼ oz. [125 ml]). Finer grinds usually require less coffee, but using too fine a grind will result in bitter flavor – see “How the Grind Affects Flavor” on page 12.

- If you prefer substantially weaker-than-average coffee, it’s best to brew using a normal amount of ground coffee and then dilute the result with hot water. Doing this will maximize flavor and minimize bitterness.
- Ground coffee loses flavor and aroma very quickly. For the best results, grind only as much as you intend to immediately use.
- To retain freshness, coffee beans should be stored in an airtight container and kept in a cool, dark place. It is not recommended that you store beans in the mill’s bean hopper for a prolonged period.
- Clean the coffee bin and cutting burrs frequently.
- Grinding flavored coffee beans will impart an off-taste to any other coffee that is ground in the mill. If you enjoy flavored coffee, it’s best to add flavored syrups or creamers to your coffee after brewing or dedicate another mill for grinding flavored beans only.

NOTE: The burrs will require more frequent cleaning when grinding flavored, or very oily coffee beans. The Burr Coffee Mill is intended for grinding whole coffee beans only. Do not grind other food items.

HOW THE GRIND AFFECTS FLAVOR

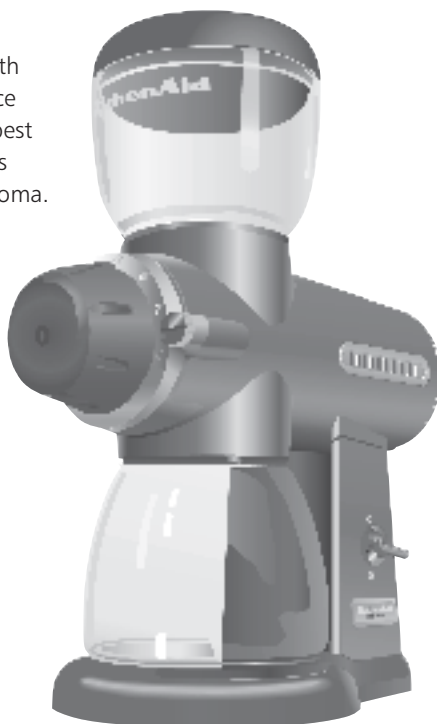
The flavor of coffee depends on a variety of factors, including the quality, freshness, and roast of the beans, the purity of the brew water, the cleanliness of the brewing equipment, and the brewing temperature. The fineness and consistency of the grind is also critical.

Coffee that is ground too fine for a particular brewing process – using a fine espresso grind in a drip coffee maker, for example – will result in the brew water over-extracting the oils and aromatic compounds in the coffee, yielding a brew that is extremely pungent and bitter. Conversely, coffee that is too coarsely ground for a particular process will result in the under-extraction of the oils and essences, resulting in a very thin and weak flavor. If the correct grind is used, adding more coffee simply makes a brew stronger without making it excessively bitter.

The consistency of the grind is also an important factor in the flavor of coffee – and absolutely critical when making great espresso. If the grounds are uniform, equal amounts of soluble compounds will be extracted from each. If the grounds vary in size, some will be over-extracted and some will be under-extracted, leading to extremely poor quality. It's not surprising that a precision grind is mandatory for good espresso, which is brewed with near-boiling water under 9 bars (130 lbs. [59 kg]) of pressure.

Coffee grind quality is directly related to the type of grinder used. High speed grinders with small burr sets are usually not able to produce the fineness or consistency required for the best espresso. They also excessively heat the beans while grinding, resulting in lost flavor and aroma.

The KitchenAid® PRO LINE™ Burr Coffee Mill uses a pair of large, commercial-style, flat cutting burrs to grind coffee with precision. Frictional heating is minimized with a gear reduction system that slows burr rotation, and uniformity is enhanced with a helical-gear that transports beans to the burrs at a controlled rate. The result is a superb grind that makes your coffee and espresso the best it can be.



CARE AND CLEANING

Cleaning the Motor Housing and Hoppers

- Make sure the Burr Coffee Mill is switched off and unplugged before cleaning.
- Do not immerse the motor housing in water.
- To avoid damage to the Burr Coffee Mill, do not immerse the cutting burrs, burr-shaft assembly, or face-plate assembly in water. Keep them dry at all times.
- To avoid damaging the finish, do not use abrasive cleansers or scouring pads.
- Wipe the motor housing and cord with a clean damp cloth. Dry with a soft cloth.
- Wash the coffee bin, bean hopper, and hopper lid in hot soapy water, then rinse and dry.
- The bean hopper, hopper lid, and coffee bin can also be washed in the top rack of a dishwasher.

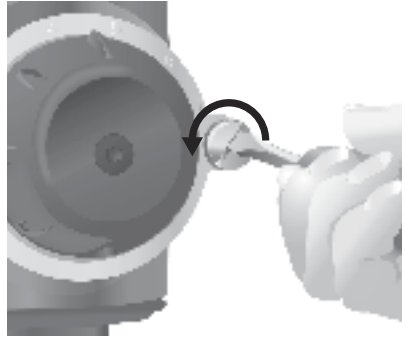
Cleaning the Cutting Burrs

If the mill is used frequently, the cutting burrs need to be cleaned every few weeks for best performance. Cleaning enables the burrs to achieve the finest, most consistent grinds possible – which is especially important when grinding coffee for espresso.

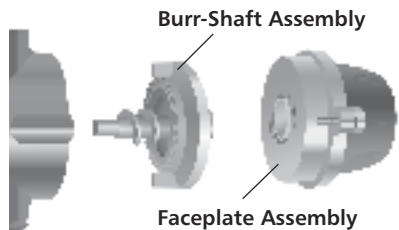
Foreign objects – like pebbles or twigs – sometimes find their way into whole bean coffee. These objects may cause the mill to jam. If this happens, follow the burr-cleaning procedure to remove the foreign material.

1. Make sure the mill is switched off and unplugged. Remove the coffee bin and bean hopper from the mill.

2. Using a flat-head screwdriver, turn the two faceplate screws counter-clockwise until the faceplate assembly is free. (The faceplate screws have retaining clips that prevent them from being removed from the faceplate assembly.)



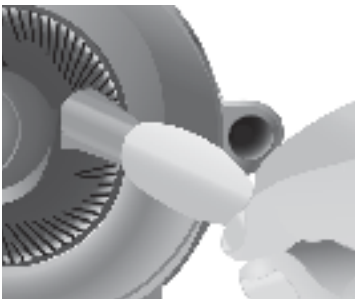
3. Slowly slide the faceplate assembly away from the motor housing. A separate burr-shaft assembly on the inside of the motor housing will usually slide out with the faceplate assembly. Place a hand under the burr-shaft assembly to keep it from falling as the faceplate assembly is removed. If the burr-shaft assembly does not slide out with the faceplate assembly, tap to loosen and grasp the center shaft of the burr-shaft assembly and remove it from the housing.



Continued...

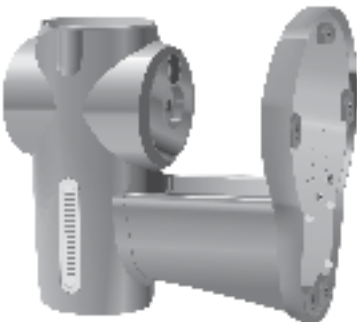
CARE AND CLEANING

- Using the burr-cleaning brush, clean the burr mounted on the burr-shaft assembly and the burr mounted within the motor housing.

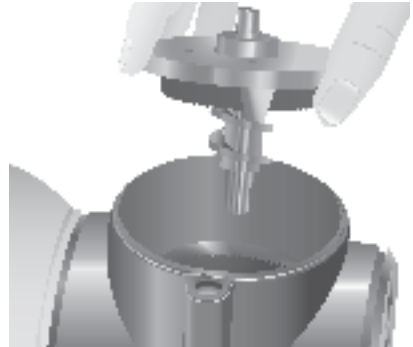


NOTE: To avoid damage to the Burr Coffee Mill, do not wash the burrs or burr-shaft assembly in water. Keep them dry at all times.

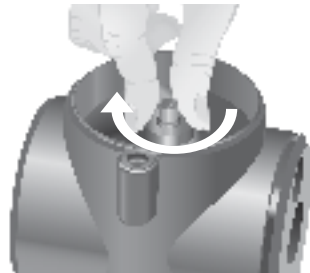
- After cleaning, tilt the Burr Coffee Mill backward so the front of the motor housing faces upward.



- With the corkscrew-shaped auger shaft facing into the motor housing, insert the burr-shaft assembly into the mill. Keep the burr-shaft assembly level, so the tip of the auger shaft will line up with the small socket in the motor housing.

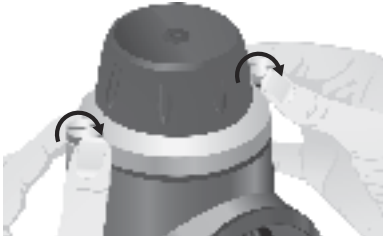


- Once the burr-shaft assembly is in the motor housing, rotate the assembly until it falls into place. When correctly positioned, the burr-shaft assembly cannot be rotated, and pushing on the burr-shaft will make it spring back.



- Place the faceplate assembly onto the motor housing. Make sure the numbers on grind level ring are positioned across the top of the assembly. Using your fingers, tighten the faceplate screws by turning them clockwise. The two screws must be tightened simultaneously to allow the faceplate to sit flush with the unit.

CARE AND CLEANING



9. After the faceplate screws have been finger-tightened, use a flat-head screwdriver to tighten them until snug.
10. Place the Burr Coffee Mill upright. It is now ready for use.

Adjusting the Cutting Burrs For Wear

The cutting burrs are made of high-quality stainless steel for exceptional longevity. After prolonged use, however, the burrs might require adjustment to compensate for wear. If your grinds – especially espresso – are not as fine as they used to be, an adjustment may need to be made.

See “Adjusting the Cutting Burrs” on page 9 for information on adjusting the burrs to provide maximum grind fineness.

Replacing the Cutting Burrs

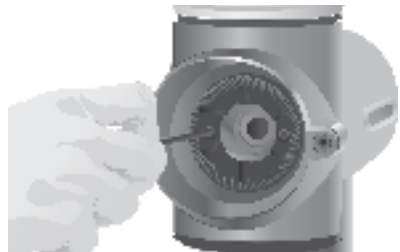
If the cutting burrs are damaged, or have reached the end of their life (usually after grinding 600–800 lbs [270–360 kg] of coffee), they can be replaced easily. Contact KitchenAid at 1-800-541-6390 to order a set of replacement burrs.

To Replace the Burrs:

1. Remove the faceplate and burr-shaft assemblies. For instructions, see “Cleaning the Cutting Burrs” steps 1, 2, and 3 on page 13.
2. With a Phillips screwdriver, remove the burr from the burr-shaft assembly by turning the two burr-mounting screws counter-clockwise until free.



3. Remove the burr from the motor housing by turning the two burr-mounting screws counter-clockwise until free.



4. Attach the replacement burrs to the burr-shaft assembly and motor housing using the burr-mounting screws. Make certain the cutting surfaces of the burrs face outward, and the burr-mounting screws are tight.
5. Insert the burr-shaft assembly into the motor housing and attach the faceplate assembly. For instructions, see “Cleaning the Cutting Burrs” steps 5 – 10 on pages 14 and 15.

TROUBLESHOOTING

- If the mill does not run when switched on:

⚠ WARNING



Electrical Shock Hazard

Plug into a grounded 3 prong outlet.

Do not remove ground prong.

Do not use an adapter.

Failure to follow these instructions can result in death, fire, or electrical shock.

Check to see if the mill is plugged into a grounded 3 prong outlet. If it is, unplug the mill, then plug it into the same outlet again. If the mill still does not work, check the fuse or circuit breaker on the electrical circuit the mill is connected to and make sure the circuit is closed. If the mill does not run after taking these steps, a foreign object may be jamming the cutting burrs. See "Cleaning the Cutting Burrs" on page 13 for more information.

- If the mill runs when switched on, but coffee does not grind:

The cutting burrs require cleaning or are worn. See "Cleaning the Cutting Burrs" on page 13 or "Replacing the Cutting Burrs" on page 15 for more information.

- If the mill is operating normally, but stops abruptly:

Immediately turn off the mill. A foreign object, such as a pebble or twig, may have jammed the cutting burrs. See "Cleaning the Cutting Burrs" on page 13 for more information.

- If the grind is too coarse, or the mill isn't producing an acceptable range of grinds:

See "Adjusting the Cutting Burrs" on page 9 or "Replacing the Cutting Burrs" on page 15 for more information.

If the problem cannot be fixed with the steps above, see the KitchenAid Warranty and Service sections on pages 17-19.*

*Do not return the Burr Coffee Mill to the retailer. They do not provide service.

KITCHENAID® PRO LINE™ BURR COFFEE MILL WARRANTY

Length of Warranty:	KitchenAid Will Pay For:	KitchenAid Will Not Pay For:
<p>50 United States, the District of Columbia, Canada, and Puerto Rico: Two-year limited warranty for household use from date of purchase.</p>	<p>50 United States, the District of Columbia and Canada: Hassle-free replacement of your Burr Coffee Mill. See the following page for details on how to arrange for replacement.</p> <p>OR</p> <p>In Puerto Rico: The replacement parts and repair labor costs to correct defects in materials and workmanship. Service must be provided by an Authorized KitchenAid Service Center. To arrange for service, follow the instructions on page 19.</p>	<p>A. Repairs when Burr Coffee Mill is used in other than normal single family home use.</p> <p>B. Damage resulting from accident, alteration, misuse or abuse or use with products not approved by KitchenAid.</p> <p>C. Replacement parts or repair labor costs for Burr Coffee Mill when operated outside the country of purchase.</p>

DISCLAIMER OF IMPLIED WARRANTIES; LIMITATION OF REMEDIES IMPLIED WARRANTIES, INCLUDING TO THE EXTENT APPLICABLE WARRANTIES OF MERCHANTABILITY OR FITNESS FOR A PARTICULAR PURPOSE, ARE EXCLUDED TO THE EXTENT LEGALLY PERMISSIBLE. ANY IMPLIED WARRANTIES THAT MAY BE IMPOSED BY LAW ARE LIMITED TO ONE YEAR, OR THE SHORTEST PERIOD ALLOWED BY LAW. SOME STATES AND PROVINCES DO NOT ALLOW LIMITATIONS OR EXCLUSIONS ON HOW LONG AN IMPLIED WARRANTY OF MERCHANTABILITY OR FITNESS LASTS, SO THE ABOVE LIMITATIONS OR EXCLUSIONS MAY NOT APPLY TO YOU.

IF THIS PRODUCT FAILS TO WORK AS WARRANTED, CUSTOMER'S SOLE AND EXCLUSIVE REMEDY SHALL BE REPAIR OR REPLACEMENT ACCORDING TO THE TERMS OF THIS LIMITED WARRANTY. KITCHENAID AND KITCHENAID CANADA DO NOT ASSUME ANY RESPONSIBILITY FOR INCIDENTAL OR CONSEQUENTIAL DAMAGES. This warranty gives you specific legal rights and you may also have other rights which vary from state to state or province to province.

Continued...

HASSLE-FREE REPLACEMENT WARRANTY - 50 UNITED STATES AND DISTRICT OF COLUMBIA

We're so confident the quality of our products meets the exacting standards of KitchenAid that, if your KitchenAid® PRO LINE™ Series Burr Coffee Mill should fail within the first two years of ownership, KitchenAid will arrange to deliver an identical or comparable replacement to your door free of charge and arrange to have your original Burr Coffee Mill returned to us. Your replacement unit will also be covered by our two year limited warranty. Please follow these instructions to receive this quality service.

If your Burr Coffee Mill should fail within the first two years of ownership, simply call our toll-free Customer Satisfaction Center at 1-800-541-6390 Monday through Friday, 8 a.m. to 8 p.m. (Eastern Time), or Saturday, 10 a.m. to 5 p.m. Give the consultant your complete shipping address. (No P.O. Box numbers, please.)

When you receive your replacement Burr Coffee Mill, use the carton and packing materials to pack up your original Burr Coffee Mill. In the carton, include your name and address on a sheet of paper along with a copy of the proof of purchase (register receipt, credit card slip, etc.).

HASSLE-FREE REPLACEMENT WARRANTY - CANADA

We're so confident the quality of our products meets the exacting standards of the KitchenAid brand that, if your Burr Coffee Mill should fail within the first two years of ownership, KitchenAid Canada will replace your Burr Coffee Mill with an identical or comparable replacement. Your replacement unit will also be covered by our two year limited warranty. Please follow these instructions to receive this quality service.

If your Burr Coffee Mill should fail within the first two years of ownership, take the Burr Coffee Mill or ship collect to an Authorized KitchenAid Service Centre. In the carton include your name and complete shipping address along with a copy of the proof of purchase (register receipt, credit card slip, etc.). Your replacement Burr Coffee Mill will be returned prepaid and insured. If you are unable to obtain satisfactory service in this manner call our toll-free Customer Interaction Centre at 1-800-807-6777. Or write to us at: Customer Interaction Centre, KitchenAid Canada, 1901 Minnesota Court, Mississauga, ON L5N 3A7

HOW TO ARRANGE FOR WARRANTY SERVICE IN PUERTO RICO

Your Burr Coffee Mill is covered by a two-year limited warranty from the date of purchase. KitchenAid will pay for replacement parts and labor costs to correct defects in materials and workmanship. Service must be provided by an Authorized KitchenAid Service Center. Take the Burr Coffee Mill or ship prepaid and insured to an Authorized KitchenAid Service Center. Your repaired Burr Coffee Mill will be returned prepaid and insured. If you are unable to obtain satisfactory service in this manner, call toll-free 1-800-541-6390 to learn the location of a Service Center near you.

HOW TO ARRANGE FOR SERVICE AFTER THE WARRANTY EXPIRES - ALL LOCATIONS

Before calling for service, please review the Troubleshooting section on page 16.

For service information in the 50 United States, District of Columbia, and Puerto Rico, call toll-free 1-800-541-6390. Or write to: Customer Satisfaction Center, KitchenAid Portable Appliances, P.O. Box 218, St. Joseph, MI 49085-0218. Or contact an Authorized Service Center near you.

For service information in Canada, call toll-free 1-800-807-6777. Or write to: Customer Interaction Centre, KitchenAid Canada, 1901 Minnesota Court, Mississauga, ON L5N 3A7

HOW TO ARRANGE FOR SERVICE OUTSIDE THESE LOCATIONS

Consult your local KitchenAid dealer or the store where you purchased the KitchenAid® PRO LINE™ Series Burr Coffee Mill for information on how to obtain service.

For service information in Mexico, call toll-free 01-800-024-17-17 (JV Distribuciones) or 01-800-902-31-00 (Industrias Birtman).

continued...

HOW TO ORDER ACCESSORIES AND REPLACEMENT PARTS

To order accessories or replacement parts for your Burr Coffee Mill in the 50 United States, District of Columbia, and Puerto Rico, call toll-free 1-800-541-6390 Monday through Friday, 8 a.m. to 8 p.m. (Eastern Time), or Saturday, 10 a.m. to 5 p.m. Or write to: Customer Satisfaction Center, KitchenAid Portable Appliances, P.O. Box 218, St. Joseph, MI 49085-0218.

To order accessories or replacement parts for your Burr Coffee Mill in Canada, call toll-free 1-800-807-6777. Or write to: Customer Interaction Centre, KitchenAid Canada, 1901 Minnesota Court, Mississauga, ON L5N 3A7

To order accessories or replacement parts for your Burr Coffee Mill in Mexico, call toll-free 01-800-024-17-17 (JV Distribuciones) or 01-800-902-31-00 (Industrias Birtman).

TABLE DES MATIÈRES



INTRODUCTION

Preuve d'achat et enregistrement du produit.....	Deuxième de couverture
Sécurité du moulin à café à meules.....	22
Consignes de sécurité importantes.....	23
Contraintes électriques.....	24

CARACTÉRISTIQUES ET OPÉRATION

Caractéristiques du moulin à café à meules.....	25
Utilisation du moulin à café à meules.....	27
Avant d'utiliser pour la première fois.....	27
Fonctionnement du moulin à café à meules.....	27
Tableau de réglage de mouture.....	28
Réglage des meules.....	29
Réglage de finesse maximale.....	29
Réglage de grosseur maximale.....	30
Conseils du moulin à café à meules.....	31
Effet de la mouture sur le goût.....	32

ENTRETIEN ET NETTOYAGE

Nettoyage du boîtier du moteur et de la trémie.....	33
Nettoyage des meules.....	33
Réglage des meules pour compenser l'usure.....	35
Remplacement des meules.....	35
Dépannage.....	36

INFORMATION SUR LA GARANTIE ET LE SERVICE

Garantie du moulin à café à meules KitchenAid® PRO LINE™.....	37
Garantie de remplacement sans tracas – 50 États américains et District de Columbia.....	38
Garantie de remplacement sans tracas – Canada.....	38
Comment obtenir le service sous garantie à Puerto Rico ...	39
Comment obtenir le service après la fin de la garantie – tous les endroits.....	39
Comment obtenir le service à l'extérieur de ces endroits ...	39
Comment commander des accessoires et des pièces de rechange.....	40

SÉCURITÉ DU MOULIN À CAFÉ À MEULES

Votre sécurité et celle des autres est très importante.

Nous donnons de nombreux messages de sécurité importants dans ce manuel et sur votre appareil ménager. Assurez-vous de toujours lire tous les messages de sécurité et de vous y conformer.



Voici le symbole d'alerte de sécurité.

Ce symbole d'alerte de sécurité vous signale les dangers potentiels de décès et de blessures graves à vous et à d'autres.

Tous les messages de sécurité suivront le symbole d'alerte de sécurité et le mot "DANGER" ou "AVERTISSEMENT". Ces mots signifient :

 **DANGER**

Risque possible de décès ou de blessure grave si vous ne suivez pas immédiatement les instructions.

 **AVERTISSEMENT**

Risque possible de décès ou de blessure grave si vous ne suivez pas les instructions.

Tous les messages de sécurité vous diront quel est le danger potentiel et vous disent comment réduire le risque de blessure et ce qui peut se produire en cas de non-respect des instructions.

CONSIGNES DE SÉCURITÉ IMPORTANTES

Lors de l'utilisation d'appareils électriques, il faut observer des mesures de sécurité élémentaires pour réduire le risque d'incendie, le choc électrique et/ou des blessures, y compris ce qui suit :

1. Veuillez lire toutes les directives.
2. N'immergez pas le moulin à café à meules dans l'eau ni tout autre liquide pour éviter les risques de choc électrique.
3. Une surveillance attentive est nécessaire lorsque tout appareil est utilisé par des enfants ou à proximité de ceux-ci.
4. Débranchez le moulin à café à meules après l'usage, avant de mettre ou de retirer des pièces et avant de le nettoyer.
5. Évitez de toucher les pièces en mouvement.
6. Ne branchez aucun appareil qui présente un défaut de fonctionnement, qui est tombé par terre ou qui a été endommagé de quelque façon que ce soit ou dont la fiche ou le cordon d'alimentation est endommagé. Retournez l'appareil au Centre de service après-vente autorisé le plus proche pour le faire inspecter ou réparer, ou pour y faire effectuer des réglages électriques ou mécaniques.
7. L'utilisation d'accessoires non recommandés ou vendus par KitchenAid pose des risques d'incendie, de choc électrique ou de blessures.
8. N'utilisez pas l'appareil à l'extérieur.
9. Ne laissez pas le cordon d'alimentation pendre d'une table ou d'un comptoir ni entrer en contact avec des surfaces chaudes.
10. Avant d'utiliser l'appareil, vérifiez qu'aucun corps étranger n'encombre la trémie.
11. Ce produit est homologué UL et réservé à l'utilisation domestique et commerciale.
12. Ce produit est homologué cUL et réservé à l'utilisation domestique et commerciale au Canada.

CONSERVEZ CES INSTRUCTIONS

CONTRAINTES ÉLECTRIQUES

⚠️ AVERTISSEMENT



Risque de choc électrique

Brancher sur une prise à 3 alvéoles reliée à la terre.

Ne pas enlever la broche de liaison à la terre.

Ne pas utiliser un adaptateur.

Le non-respect de ces instructions peut causer un décès, un incendie ou un choc électrique.



VOLTS : 120 VOLTS DE C.A.

HERTZ : 60 HZ

REMARQUE : Ce moulin à café a une fiche de terre

à 3 broches. Pour réduire le risque de choc électrique, il n'y a qu'une façon d'introduire cette fiche dans une prise. Si la fiche n'entre pas entièrement dans la prise, contactez un électricien qualifié. Ne modifiez la fiche d'aucune façon.

Un cordon d'alimentation court est fourni pour réduire les risques d'entortillement et de chute associés à un long cordon. Des rallonges sont disponibles et peuvent être utilisées.

Si vous utilisez une rallonge :

- La valeur électrique nominale de la rallonge doit au moins être égale à la valeur nominale de l'appareil.
- La rallonge doit être un cordon avec une fiche de terre à trois broches.
- Le cordon doit être placé de façon à ne pas pendre du comptoir ou d'une table pour éviter les risques de chute et de manipulation par des enfants.

CARACTÉRISTIQUES DU MOULIN À CAFÉ À MEULES

Boîtier du moteur

Le boîtier en métal moulé sous pression est robuste, stable et facile à nettoyer.



Trémie

La trémie d'une capacité de 200 g (7 onces) est dévissable pour faciliter son nettoyage. Le couvercle à pression de la trémie permet un remplissage simple et rapide. La trémie et le couvercle vont au lave-vaisselle (panier supérieur seulement).



Réservoir à grains

Le réservoir à grains est en verre pour minimiser « l'adhérence statique » de la mouture. Va au lave-vaisselle (panier supérieur seulement).



Plate-forme du réservoir à grains

Le coussinet d'appui de la plate-forme permet d'installer le réservoir à grains sous le bec verseur de la mouture.



Plaque d'étanchéité

La plaque d'étanchéité permet de positionner le réservoir à grains sous le bec verseur et prévient les fuites de mouture.



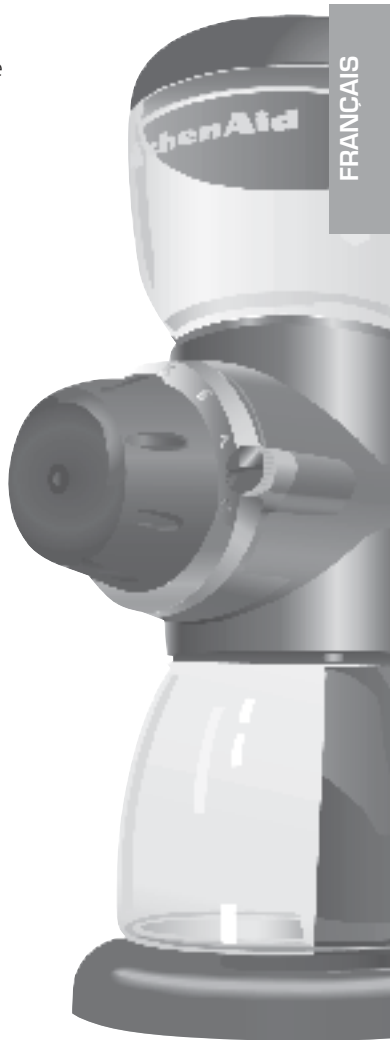
Cadran de réglage de mouture

Gros cadran facile à utiliser pour sélectionner l'un des 15 niveaux de mouture par demi-incréments de 1 à 8.



Bague de niveau de mouture

Bague métallique affichant les divers niveaux de mouture, de 1 (grossière) à 8 (fine).



FRANÇAIS

Suite...

CARACTÉRISTIQUES DU MOULIN À CAFÉ À MEULES



Interrupteur « On/Off » (marche/arrêt)

Mettre l'interrupteur à « On » (marche) pour mouliner le café ou à « Off » (arrêt) pour éteindre l'appareil.



Bloc du cadran et vis

Le bloc du cadran comprend le cadran de réglage de mouture et la bague de niveau de mouture. Il est fixé au boîtier du moteur à l'aide de deux vis. Pour accéder aux meules, desserrez les vis et retirez le bloc du cadran. Lorsque vous remontez le bloc du cadran, les deux vis doivent être resserrées simultanément pour laisser le bloc du cadran affleurer au moulin à café à meules.



Meules en acier inoxydable de précision

Les grandes meules plates de 5.7 cm (2¼ po) de diamètre sont durables et assurent une mouture homogène exceptionnelle. Les meules s'ajustent pour compenser l'usure ou se calibrent pour répondre aux directives strictes de la Specialty Coffee Association of America pour les moutures d'expresso et françaises.

Fonctionnement à régime lent

Un moteur à courant continu et un réducteur de vitesse ralentit la rotation des meules, minimisant ainsi la chaleur de frottement et la charge électrostatique, et préservant tout l'arôme du café. De plus, ce dispositif de mouture à régime lent réduit « l'adhérence statique » de la mouture et assure un fonctionnement à faible bruit.

Cordon d'alimentation avec attache

Le cordon rond et lisse empêche la mouture de café de se déposer; l'attache sert à regrouper toute longueur de cordon qui dépasse.

Socle métallique monopièce avec pieds en caoutchouc anti-dérapant

Le socle métallique fournit une plate-forme stable pour le moulin. Les pieds en caoutchouc atténuent le bruit et les vibrations, et protègent le comptoir.



Brosse de nettoyage des meules

Les soies dures enlèvent rapidement et facilement l'excédent de mouture sur les meules.

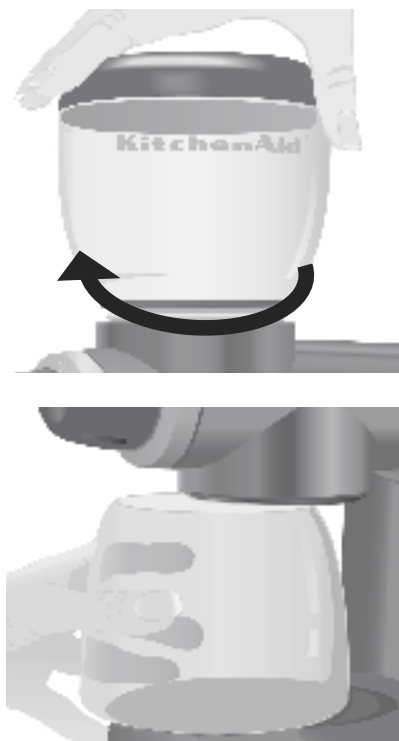
UTILISATION DU MOULIN À CAFÉ À MEULES

Avant d'utiliser pour la première fois

Avant d'utiliser le moulin à café à meules, essayez le boîtier du moteur et le cordon à l'aide d'un chiffon propre et humide. Nettoyez la trémie, le couvercle de la trémie et le réservoir à grains à l'eau chaude savonneuse, puis rincez et séchez. La trémie, le couvercle de la trémie et le réservoir à grains peuvent aussi être lavés dans le panier supérieur d'un lave-vaisselle.

Fonctionnement du moulin à café à meules

1. Vérifiez que le moulin à café est débranché. Fixez la trémie au-dessus du boîtier du moteur en la tournant dans le sens horaire jusqu'à ce qu'elle soit bien en place.
2. Faites glisser le réservoir à grains sur la plate-forme du réservoir; la plaque d'étanchéité sur le boîtier du moteur sera légèrement comprimée pour accueillir le réservoir. Le réservoir doit être bien centré au milieu de la plate-forme du réservoir.
3. Remplissez la trémie jusqu'au niveau désiré. La capacité maximale de la trémie est 200 g (7 onces).



FRANÇAIS

⚠️ AVERTISSEMENT



Risque de choc électrique

Brancher sur une prise à 3 alvéoles reliée à la terre.

Ne pas enlever la broche de liaison à la terre.

Ne pas utiliser un adaptateur.

Le non-respect de ces instructions peut causer un décès, un incendie ou un choc électrique.

REMARQUE : Ce produit est conçu uniquement pour mouliner des grains de café entiers.

4. Placez le couvercle de la trémie sur la trémie.
5. Branchez dans une prise à la terre à trois broches. L'attache fournie avec le cordon peut servir à regrouper toute longueur de cordon qui dépasse.

Suite...

UTILISATION DU MOULIN À CAFÉ À MEULES

6. Sélectionnez la mouture en tournant le cadran de réglage de mouture jusqu'au niveau désiré sur la bague de niveau de mouture. Consultez le tableau de réglage de mouture plus bas pour associer le niveau de mouture et votre processus d'infusion. Avec le temps, vous apprendrez à utiliser les réglages en fonction de votre goût.



REMARQUE : Il est possible que des grains de café partiellement moulus restent coincés entre les meules après avoir éteint l'appareil. Pour éviter ce problème, vous pouvez sélectionner une mouture plus fine pendant que le moulin est en marche.

7. Pour moulin le café, mettez l'interrupteur « On/Off » (marche/arrêt) à la position de « On » (marche).
8. Une fois la quantité de mouture obtenue, mettez l'interrupteur « On/Off » à la position « Off » (arrêt), retirez le réservoir et récupérez le café moulu.



Tableau de réglage de mouture

Réglage	Mouture	Pour	Taille moyenne de la mouture Produite par le moulin à café à meules avant le réglage
8	Fine	Espresso	325 microns
5	Moyenne	Goutte à goutte	750 microns
1	Grossière	À piston	1250 microns

RÉGLAGE DES MEULES

Réglé à l'usine, le moulin à café à meules KitchenAid® PRO LINE™ produit des moutures convenant à presque tous les types d'infusion. Si vous êtes amateur d'espresso ou de café préparé selon la méthode à piston, vous pouvez régler les meules pour une performance optimale selon votre style d'infusion. Le moulin à café à meules peut répondre, avec des ajustements, aux spécifications strictes de mouture de la Specialty Coffee Association of America pour les moutures d'espresso (250 microns) ou française (1 500 microns).

Réglage de finesse maximale

Le réglage du moulin pour obtenir la mouture la plus fine possible diminue la taille des particules sur toute la gamme des réglages. (Pour régler le moulin de manière à obtenir des moutures plus grossières, voir page 30).

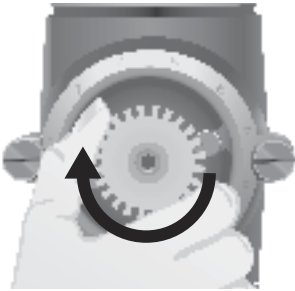
1. Videz la trémie, puis faites fonctionner le moulin pendant quelques secondes pour dégager les grains qui pourraient être coincés dans l'appareil.
2. Réglez le cadran de réglage de mouture au niveau « 8 » .
3. À l'aide d'une clé hexagonale ou d'un tournevis à tête hexagonale de 4 mm ($\frac{1}{8}$ po), retirez la vis devant le cadran de réglage de mouture en la faisant tourner dans le sens antihoraire. Immobilisez le cadran de réglage de mouture avec les doigts pour qu'il ne tourne pas pendant que vous enlevez la vis. Une fois que la vis est enlevée, retirez le cadran de réglage de mouture. Le mécanisme de commande blanc devrait être visible une fois que le cadran de réglage de mouture est enlevé.



4. Mettez le moulin en marche en réglant l'interrupteur « On/Off » à la position « On » marche.

RÉGLAGE DES MEULES

5. Faites tourner le mécanisme de commande dans le sens horaire d'un cran (ou d'un dé clic) à la fois jusqu'à ce que vous entendiez les meules se toucher (lorsque les meules se touchent, vous entendez un bruit de frottement ou un grincement).



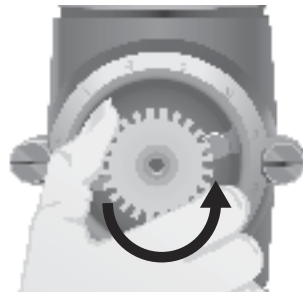
6. Lorsque les meules se touchent, faites tourner le mécanisme de commande dans le sens antihoraire d'un cran (ou d'un dé clic) à la fois jusqu'à ce que le bruit de frottement ou le grincement s'arrête. Arrêtez le moulin en mettant l'interrupteur « On/Off » à la position « Off » (arrêt). Le moulin est maintenant calibré pour une finesse de mouture maximale.
7. Remettez le cadran de réglage de mouture en place en vous assurant que l'indicateur est bien au niveau « 8 ».

REMARQUE : Si le moulin à café produit un bruit de frottement ou un grincement lors de l'utilisation, c'est que les meules ont été mal réglées. Pour éviter d'endommager les meules, rajustez-les immédiatement.

Réglage de grosseur maximale

Le réglage du moulin pour obtenir la mouture la plus grossière possible augmente la taille des particules sur toute la gamme des réglages et le niveau de mouture le plus fin peut alors devenir trop grossier pour le café espresso. (Pour recalibrer le moulin à une finesse de mouture maximale, voir la page 29).

1. Réglez le cadran de réglage de mouture au niveau « 1 ».
2. À l'aide d'une clé hexagonale ou d'un tournevis à tête hexagonale de 4 mm ($\frac{1}{2}$ po), retirez la vis devant le cadran de réglage de mouture en la faisant tourner dans le sens antihoraire. Une fois que la vis est enlevée, retirez le cadran de réglage de mouture. Le mécanisme de commande blanc devrait être visible une fois que le cadran est enlevé.
3. Faites tourner le mécanisme de commande dans le sens horaire d'un cran (ou d'un dé clic) à la fois jusqu'à ce que le cliquetis s'estompe et que le mécanisme de commande offre moins de résistance quand vous le faites tourner.



4. Remettez le cadran de réglage de mouture en place en vous assurant que l'indicateur est bien au niveau « 1 ».

CONSEILS DU MOULIN À CAFÉ À MEULES



- Sélectionnez le réglage convenant au procédé d'infusion utilisé. Quinze niveaux de mouture sont disponibles en demi-incréments de 1 à 8. Le niveau 8 produit une mouture très fine qui convient à l'espresso; les niveaux 4½ à 6 produisent une mouture moyenne qui convient aux cafetières automatiques goutte à goutte; et le niveau 1 correspond à une mouture grossière qui convient à l'infusion à l'aide d'une cafetière à piston. Expérimentez — une mouture légèrement plus fine ou plus grossière vous plaira peut-être davantage.
- Pour le café goutte-à-goutte standard, un bon point de départ est à 28 g (1 once) de café pour toutes les 4 tasses (500 ml [17 onces]) d'eau d'infusion selon la mesure d'une verseuse (une « tasse » de verseuse est d'environ 125 mm [4¼ onces]). Les moutures plus fines exigent moins de café, mais une mouture trop fine produit un café amer — reportez-vous à la section « Effet de la mouture sur le goût », à la page 32.
- Si vous préférez un café moins fort que la moyenne, il vaut mieux infuser une quantité normale de café moulu, puis diluer le résultat obtenu avec de l'eau chaude. De cette façon, vous obtiendrez un arôme optimal tout en minimisant le goût du café.
- Le café moulu perd de son goût et de son arôme rapidement. Pour des résultats optimaux, moulez seulement la quantité de café que vous prévoyez utiliser immédiatement.
- Pour préserver la fraîcheur des grains de café, rangez le café dans un contenant hermétique, à l'abri de la lumière et au frais. Il est déconseillé de conserver les grains de café dans la trémie du moulin pendant une durée prolongée.
- Nettoyez régulièrement le réservoir à grains et les meules.
- Les moutures de grains de café aromatisés laissent toujours un arrière-goût dans le moulin. Si vous aimez le café aromatisé, il est préférable d'ajouter des sirops ou des crèmes aromatisés à votre café après l'infusion ou d'utiliser un autre moulin à café spécialement pour les grains de café aromatisés.

REMARQUE : Les meules devront être nettoyées fréquemment après la mouture de grains de café aromatisés ou très huileux. Le moulin à café est conçu uniquement pour moudre des grains de café entiers. Ne l'utilisez pas pour moudre d'autres aliments.

EFFET DE LA MOUTURE SUR LE GOÛT

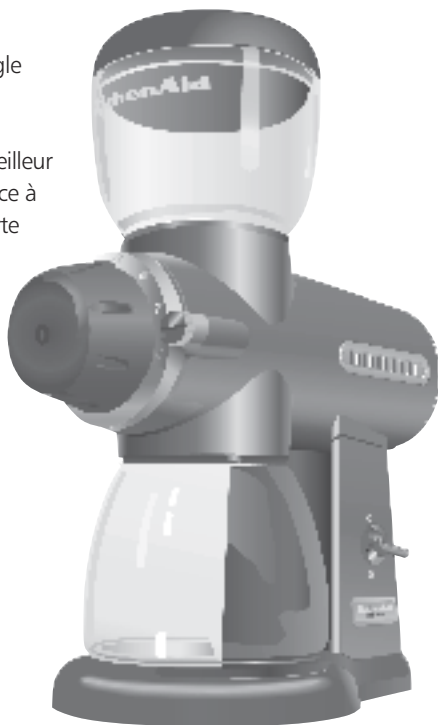
Le goût du café dépend de divers facteurs, entre autres la qualité, la fraîcheur et la torréfaction des grains, la pureté de l'eau à infuser, la propreté du matériel d'infusion et la température d'infusion. La finesse et la consistance de la mouture sont également critiques.

D'une part, le café moulu trop fin pour un procédé d'infusion particulier — l'utilisation de café moulu fin pour l'espresso dans une cafetière goutte à goutte, par exemple — entraînera une surextraction des huiles et des composés aromatiques du café par l'eau, produisant une infusion extrêmement âcre et amère. D'autre part, le café moulu trop grossier pour un procédé particulier entraînera la sous-extraction des huiles et des essences, produisant un café très clair et faible. Si la mouture adéquate est sélectionnée, l'ajout de café ne fait que produire une infusion plus forte, sans la rendre excessivement amère.

La consistance de la mouture est également un facteur important du goût du café – en fait, un facteur de réussite déterminant pour préparer un espresso au goût exquis. Si la mouture est homogène, des quantités égales de composés solubles seront extraites de chaque grain. Si les grains sont de grosseur différente, il y aura une surextraction de certains, et une sous-extraction d'autres, ce qui produira un café de très mauvaise qualité. Il n'est pas étonnant qu'une mouture précise soit nécessaire pour préparer un bon café espresso, lequel est infusé avec de l'eau presque bouillante d'une pression inférieure à 9 bars (59 kg [130 livres]).

La qualité d'une mouture de café dépend principalement du type de moulin utilisé. En règle générale, les moulins à grande vitesse dotés de meules de petite taille ne sont pas capables de produire la mouture très fine requise pour le meilleur café espresso. De plus, ces modèles ont tendance à trop chauffer les grains, ce qui entraîne une perte d'arôme et de goût.

Le moulin à café à meules KitchenAid® PRO LINE™ utilise une paire de meules de style commercial, plates pour moudre le café avec précision. La chaleur de frottement est minimisée grâce à un réducteur de vitesse qui ralentit la rotation des meules, tandis que l'homogénéité est améliorée par un mécanisme hélicoïdal qui transporte les grains aux meules à une cadence contrôlée. Le résultat est une mouture impeccable qui vous permettra de réaliser le meilleur espresso et le meilleur café dont vous puissiez rêver.



ENTRETIEN ET NETTOYAGE

Nettoyage du boîtier du moteur et de la trémie

- Assurez-vous que le moulin à café est à la position « Off » (arrêt) et débranché avant de le nettoyer.
- N'immergez pas le boîtier du moteur dans l'eau.
- Pour éviter d'endommager le moulin à café à meules, ne plongez pas les meules de coupe, l'assemblage meules-arbre ou l'assemblage de bloc du cadran dans l'eau. Gardez-les sèches en tout temps.
- Pour éviter d'endommager le fini, n'utilisez pas de nettoyants abrasifs ou de tampons à récurer.
- Nettoyez le boîtier du moteur et le cordon à l'aide d'un chiffon humide propre. Essuyez avec un chiffon doux.
- Lavez le réservoir à grains, la trémie, le couvercle de la trémie dans de l'eau chaude savonneuse, rincez-les puis séchez-les.
- La trémie, le couvercle de la trémie et le réservoir à grains peuvent aussi être lavés dans le panier supérieur d'un lave-vaisselle.

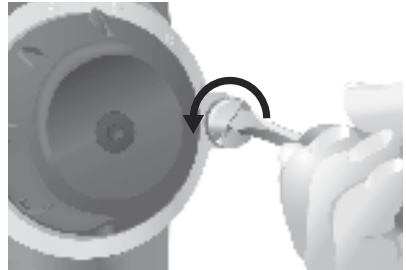
Nettoyage des meules

Si le moulin est utilisé fréquemment, les meules doivent être nettoyées à un intervalle régulier de quelques semaines afin d'obtenir un meilleur rendement. Un nettoyage régulier des meules permet d'obtenir les moutures les plus homogènes et les plus fines - ce qui est très important surtout pour moulin le café espresso.

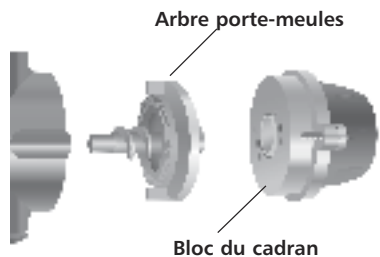
Des corps étrangers – petits cailloux ou brindilles – se fauillent parfois au milieu des grains de café entiers. Ces corps étrangers peuvent provoquer le blocage du moulin. Si cela

se produit, suivez la procédure de nettoyage des meules pour enlever les corps étrangers.

1. Assurez-vous que le moulin est éteint et débranché. Enlevez le réservoir à grains et la trémie du moulin.
2. À l'aide d'un tournevis à lame plate, faites tourner les deux vis du cadran dans le sens antihoraire jusqu'à ce que le bloc du cadran soit libre. (Les vis du cadran ont des agrafes de retenue qui les empêchent de se détacher du bloc du cadran.)

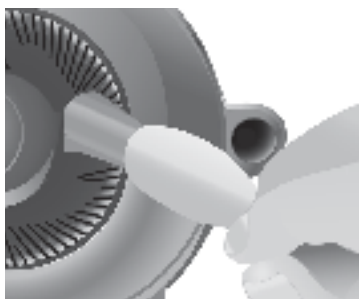


3. Glissez lentement l'assemblage de bloc du cadran en l'éloignant du boîtier du moteur. L'arbre porte-meules situé à l'intérieur du boîtier du moteur devrait sortir en même temps que le bloc du cadran. Mettez une main sous l'assemblage meules-arbre pour l'empêcher de tomber en retirant l'assemblage de bloc du cadran. Si l'assemblage de meules-arbre ne sort pas avec l'assemblage de plaques de contact, frappez pour le dégager et agrippez l'arbre central de l'assemblage et retirez-le du boîtier.



ENTRETIEN ET NETTOYAGE

4. À l'aide de la brosse de nettoyage des meules, nettoyez les meules fixées à l'arbre porte-meules et les meules fixées au boîtier du moteur.

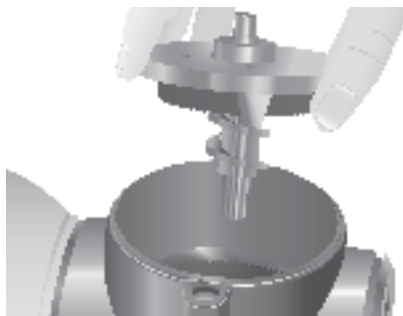


REMARQUE : Pour éviter d'endommager le moulin à café à meules, ne lavez pas les meules ou l'assemblage meules-arbre dans l'eau. Gardez-les sèches en tout temps.

5. Après le nettoyage, inclinez le moulin vers l'arrière de façon à ce que l'avant du boîtier du moteur soit tourné vers le haut.



6. Positionnez la tige hélicoïdale en forme de tire-bouchon vers l'intérieur du boîtier du moteur, puis insérez l'arbre porte-meules dans le moulin. Maintenez l'arbre porte-meules droit, de façon à ce que l'extrémité de la tige hélicoïdale soit alignée à la douille dans le boîtier du moteur.

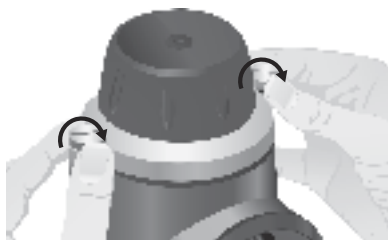


7. Une fois que l'arbre porte-meules se trouve à l'intérieur du boîtier du moteur, faites tourner l'ensemble jusqu'à ce qu'il se mette en place. Lorsque l'assemblage l'arbre porte-meules est bien placé, il ne peut pas être tourné et pousser l'arbre porte-meules le fera ressortir.



8. Placez le bloc du cadran sur le boîtier du moteur. Vérifiez que les chiffres sur la bague de niveau de mouture sont bien positionnés en haut du bloc du cadran. Avec les doigts, serrez les vis du cadran en les tournant dans le sens horaire. Les deux vis doivent être resserrés simultanément pour permettre au bloc du cadran d'affleurer à l'unité.

ENTRETIEN ET NETTOYAGE



9. Lorsque vous avez terminé de serrer les vis du cadran à la main, utilisez un tournevis à lame plate pour les serrer à fond.
10. Posez le moulin à café en position verticale. Il est maintenant prêt à être utilisé.

Réglage des meules pour compenser l'usure

Les meules sont en acier inoxydable de haute qualité pour une durabilité exceptionnelle. Toutefois, après une utilisation prolongée, les meules ont parfois besoin d'être réglées pour compenser l'usure. Si la mouture – en particulier pour le café espresso – n'est pas aussi fine que d'habitude, il est probable que les meules doivent être rajustées.

Consultez la section « Réglage des meules » à la page 29 pour en savoir plus sur le réglage des meules afin d'obtenir une mouture d'une finesse maximale.

Remplacement des meules

Si les meules sont endommagées ou complètement usées (en général après avoir moulu l'équivalent de 270 à 360 kg (600-800 livres) de café, elles peuvent facilement être remplacées. Contactez KitchenAid au 1-800-541-6390 pour commander un jeu de meules de rechange.

Pour remplacer les meules :

1. Retirez le cadran et l'arbre porte-meules. Pour savoir comment procéder, consultez la section « Nettoyage des meules » (étapes 1, 2 et 3) à la page 33.
2. À l'aide d'un tournevis à pointe cruciforme, retirez les meules de l'arbre porte-meules en faisant tourner les deux vis de fixation dans le sens antihoraire jusqu'à ce que les meules soient libres.



3. Retirez les meules du boîtier du moteur en faisant tourner les deux vis de fixation dans le sens antihoraire jusqu'à ce que les meules soient libres.



4. Fixez les meules de rechange à l'arbre porte-meules et au boîtier du moteur à l'aide des vis de fixation. Assurez-vous que les surfaces tranchantes des meules sont tournées vers l'extérieur et que les vis de fixation des meules sont bien serrées.
5. Insérez l'assemblage meules-arbre dans le boîtier du moteur et fixez l'assemblage de la plaque contact. Reportez-vous aux étapes 5 à 10 des pages 34 et 35 « Nettoyer les meules de coupe » pour les instructions.

- Si le moulin ne fonctionne pas quand vous l'allumez :

⚠ AVERTISSEMENT



Risque de choc électrique

Brancher sur une prise à 3 alvéoles reliée à la terre.

Ne pas enlever la broche de liaison à la terre.

Ne pas utiliser un adaptateur.

Le non-respect de ces instructions peut causer un décès, un incendie ou un choc électrique.

Vérifiez que le moulin est branché dans une prise à la terre à 3 broches. S'il est branché, débranchez-le puis rebranchez-le à nouveau. Si le moulin ne fonctionne toujours pas, vérifiez le fusible ou le disjoncteur sur le circuit électrique auquel le moulin est connecté, et assurez-vous que le circuit est fermé. Si le moulin ne fonctionne pas après toutes ces mesures, il est possible qu'un corps étranger soit coincé dans les meules. Consultez la section « Nettoyage des meules » à la page 33 pour plus de détails.

- Si le moulin fonctionne quand il est allumé, mais que le café n'est pas moulu :

Les meules ont besoin d'être nettoyées ou sont usées. Consultez la section « Nettoyage des meules » à la page 33 ou la section « Remplacement des meules » à la page 35 pour plus de détails.

- Si le moulin fonctionne normalement, mais s'arrête brusquement :

Éteignez immédiatement le moulin. Il est possible qu'un corps étranger, comme un petit caillou ou une brindille, soit coincé dans les meules. Consultez la section « Nettoyage des meules » à la page 33 pour plus de détails.

- Si la mouture est trop grossière, ou si le moulin ne produit pas une gamme de moutures suffisante :

Consultez la section « Réglage des meules » à la page 35, ou la section « Remplacement des meules » à la page 35 pour plus de détails.

Si vous ne pouvez pas corriger le problème avec les étapes précédentes, consultez les sections de Garantie et service KitchenAid aux pages 37-40.*

* Ne retournez pas le moulin à café à meules au détaillant — Ils ne fournissent pas le service.

GARANTIE DU MOULIN À CAFÉ À MEULES KITCHENAID® PRO LINE™

Durée de la garantie :	KitchenAid prendra en charge :	KitchenAid ne prendra pas en charge :
<p>50 États des États-Unis, le district fédéral de Columbia, le Canada et Puerto Rico : Garantie limitée de deux ans pour une utilisation domestique à partir de la date d'achat.</p>	<p>50 États des États-Unis, district fédéral de Columbia et le Canada : Garantie de satisfaction totale et de remplacement de votre moulin à café à meules. Consultez la page suivante pour obtenir des détails sur la façon de remplacer le moulin à café.</p> <p>OU</p> <p>À Puerto Rico : Les coûts des pièces de rechange et de main-d'œuvre pour corriger les défauts de matériaux et de main-d'œuvre. Le service après-vente doit être assuré par un Centre de réparation autorisé KitchenAid. Pour obtenir une réparation, suivez les directives de la page 39.</p>	<p>A. Les réparations découlant de l'utilisation du moulin à café dans un contexte autre qu'un foyer unifamilial normal.</p> <p>B. Les dommages attribuables aux causes suivantes : un accident, une modification, la mauvaise utilisation, un emploi abusif ou une utilisation non approuvée par KitchenAid.</p> <p>C. Les coûts des pièces de rechange ou de main-d'œuvre pour le moulin à café si ce dernier est utilisé à l'extérieur du pays d'achat.</p>

DÉSARMEUR DE GARANTIE TACITE, LIMITATION DES RECOURS. LES GARANTIES TACITES, Y COMPRIS DANS LA MESURE APPLICABLE LES GARANTIES DE QUALITÉ MARCHANDE OU D'APTITUDE À UN EMPLOI PARTICULIER, SONT EXCLUES DANS LA MESURE AUTORISÉE PAR LA LOI. TOUTE GARANTIE TACITE IMPOSÉE PAR LA LOI EST LIMITÉE À UN AN, OU LA DURÉE MINIMUM PERMISE PAR LA LOI. PUISQUE CERTAINES JURIDICTIONS NE PERMETTENT PAS L'EXCLUSION OU LA LIMITATION DE DURÉE DES GARANTIES IMPLICITES DE QUALITÉ MARCHANDE OU D'APTITUDE À UN EMPLOI PARTICULIER, LES LIMITATIONS CI-DESSUS PEUVENT DONC NE PAS S'APPLIQUER À VOUS.

SI CET APPAREIL NE FONCTIONNE PAS COMME GARANTI, LE SEUL ET EXCLUSIF RECOURS DES CLIENTS EST LA RÉPARATION OU LE REMPLACEMENT SELON LES DISPOSITIONS DE LA GARANTIE LIMITÉE. KITCHENAID ET KITCHENAID-CANADA N'ASSUMENT AUCUNE RESPONSABILITÉ EN CAS DE DOMMAGES ACCESSOIRES OU INDIRECTS. Cette garantie vous confère des droits spécifiques auxquels peuvent s'ajouter d'autres droits variant d'un État ou d'une province à l'autre. Suite...

GARANTIE DE REMPLACEMENT SANS TRACAS - 50 ÉTATS AMÉRICAINS ET DISTRICT DE COLUMBIA

Nous sommes tellement certains que la qualité de nos produits répond aux normes strictes de KitchenAid que, si votre moulin à café à meules KitchenAid® PRO LINE™ connaît une défaillance au cours des deux premières années suivant l'achat, KitchenAid fera les arrangements voulus pour livrer un remplacement identique ou comparable à votre porte sans frais et fera les arrangements voulus pour que votre moulin à café original nous soit retourné. Votre remplacement sera aussi couvert par notre garantie limitée de deux ans. Veuillez suivre ces instructions pour recevoir ce service de qualité.

Si votre moulin à café connaît une défaillance au cours des deux premières années après l'achat, il vous suffit d'appeler le Centre de satisfaction de la clientèle au numéro sans frais suivant : 1-800-541-6390, du lundi au vendredi de 8 h à 20 h (heure de l'est), ou le samedi de 10 h à 17 h. Donnez au consultant votre adresse complète d'expédition. (Pas de numéro boîte postale, s.v.p.)

Lorsque vous recevrez votre moulin à café de remplacement, utilisez le carton et les matériaux d'emballage pour emballer votre moulin à café original. Dans le carton, veuillez inclure votre nom et votre adresse sur une feuille de papier avec une copie de la preuve d'achat (facture, feuillet de carte de crédit, etc.).

GARANTIE DE REMPLACEMENT SANS TRACAS - CANADA

Nous sommes tellement certains que la qualité de nos produits répond aux normes strictes de KitchenAid que, si votre moulin à café connaît une défaillance au cours des deux premières années suivant l'achat, KitchenAid Canada remplacera votre moulin à café avec un produit de remplacement identique ou comparable. Votre remplacement sera aussi couvert par notre garantie limitée de deux ans. Veuillez suivre ces instructions pour recevoir ce service de qualité.

Si votre moulin à café connaît une défaillance au cours des deux premières années après l'achat, apportez-le ou expédiez-le contre remboursement à un Centre de service autorisé de KitchenAid Canada. Dans le carton, veuillez inclure votre nom et votre adresse complète d'expédition en plus d'une copie de la preuve d'achat (facture, feuillet de carte de crédit, etc.). Nous couvrons les frais d'expéditions pour l'envoi de votre moulin à café de remplacement ainsi que l'assurance. Si vous êtes incapable d'obtenir un service satisfaisant de cette manière, veuillez appeler le numéro sans frais du Centre de relations avec la clientèle au 1-800-807-6777. Ou écrivez-nous à l'adresse suivante : Centre de relations avec la clientèle, KitchenAid Canada, 1901 Minnesota Court, Mississauga, ON L5N 3A7.

COMMENT OBTENIR LE SERVICE SOUS GARANTIE À PUERTO RICO

Votre moulin à café est couvert par une garantie limitée de deux ans à partir de la date d'achat. KitchenAid paiera les pièces de rechange et les frais de main d'œuvre de réparation pour corriger les problèmes de matériaux et de main d'œuvre. Le service de réparation doit être effectué par un Centre de service autorisé KitchenAid.

Apportez votre moulin à café ou expédiez-le à un Centre de service autorisé KitchenAid. Nous couvrons les frais d'expéditions pour l'envoi de votre moulin à café de remplacement ainsi que l'assurance. Si vous êtes incapable d'obtenir un service satisfaisant de cette manière, veuillez appeler le numéro sans frais 1-800-541-6390 pour connaître l'emplacement d'un Centre de service près de chez vous.

COMMENT OBTENIR LE SERVICE APRÈS LA FIN DE LA GARANTIE - TOUS LES ENDROITS

Avant d'appeler le service, veuillez consulter la section de dépannage de la page 36.

Pour l'information de service dans les 50 états américains, le District de Columbia, et Puerto Rico, appelez le numéro sans frais 1-800-541-6390. Ou écrivez à l'adresse suivante : Centre de satisfaction de la clientèle, KitchenAid Portable Appliances, P.O. Box 218, St. Joseph, MI 49085-0218. Ou contactez un Centre de service autorisé près de chez vous.

Pour l'information de service au Canada, appelez le numéro sans frais 1-800-807-6777. Ou écrivez-nous à l'adresse suivante : Centre de relations avec la clientèle, KitchenAid Canada, 1901 Minnesota Court, Mississauga, ON L5N 3A7.

COMMENT OBTENIR LE SERVICE À L'EXTÉRIEUR DE CES ENDROITS

Consultez votre détaillant local KitchenAid ou le magasin où vous avez acheté le moulin à café KitchenAid® PRO LINE™ pour obtenir de l'information pour obtenir le service.

Pour l'information de service au Mexique, appelez le numéro sans frais 01-800-024-17-17 (JV Distribuciones) ou le 01-800-902-31-00 (Industrias Birtman).

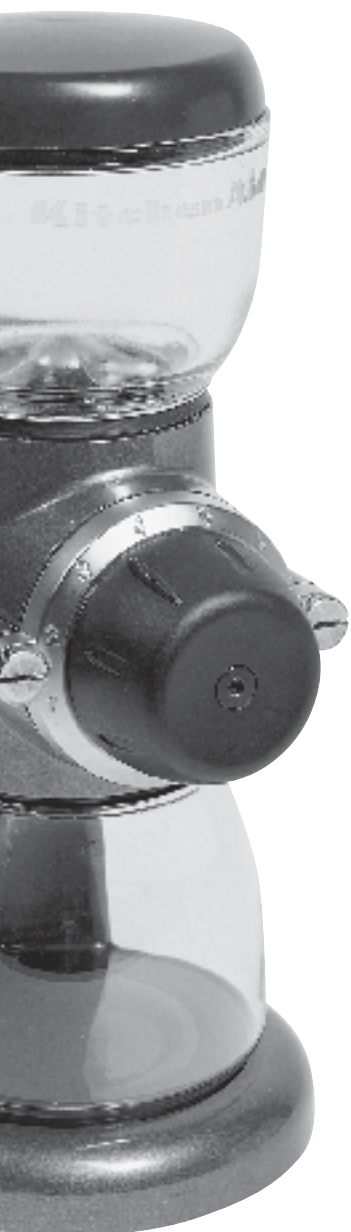
COMMENT COMMANDER DES ACCESSOIRES ET DES PIÈCES DE RECHANGE

Pour commander des accessoires ou des pièces de rechange pour votre moulin à café dans les 50 états américains, au District de Columbia et à Puerto Rico, composez le numéro sans frais 1-800-541-6390, du lundi au vendredi de 8 h à 20 h (heure de l'est), ou le samedi de 10 h à 17 h. Ou écrivez à l'adresse suivante : Centre de satisfaction de la clientèle, KitchenAid Portable Appliances, P.O. Box 218, St. Joseph, MI 49085-0218.

Pour commander des accessoires ou des pièces de rechange pour votre moulin à café au Canada, appelez le numéro sans frais 1-800-807-6777. Ou écrivez à l'adresse suivante : Centre de relations avec la clientèle, KitchenAid Canada, 1901 Minnesota Court, Mississauga, ON L5N 3A7.

Pour commander des accessoires ou des pièces de rechange pour votre moulin à café au Mexique, appelez le numéro sans frais 01-800-024-17-17 (JV Distribuciones) ou le 01-800-902-31-00 (Industrias Birtman).

ÍNDICE



INTRODUCCIÓN

Comprobante de compra y registro del producto	Reverso de la portada
Seguridad del molino de café	42
Salvaguardas importantes	43
Requisitos de corriente eléctrica	44

CARACTERÍSTICAS Y FUNCIONAMIENTO

Características del molino de café	45
Uso del molino de café	47
Antes del primer uso	47
Funcionamiento del molino de café	47
Tabla de programas de molienda	48
Ajuste de las fresas cortantes	49
Ajuste para una máxima finura de molienda	49
Ajuste para proveer moliendas más gruesas	50
Consejos para el molino de café	51
Cómo la molienda afecta el sabor	52

CUIDADO Y LIMPIEZA

Limpieza de la cubierta del motor y las tolvas	53
Limpieza de las fresas cortantes	53
Ajuste de las fresas cortantes por desgaste	55
Reemplazo de las fresas cortantes	56
Resolución de problemas	57

GARANTÍA E INFORMACIÓN DE SERVICIO

KitchenAid® PRO LINE™ Garantía del molino de café	58
Garantía de reposición sin problemas – 50 estados de los Estados Unidos y en el Distrito de Columbia	59
Garantía de reposición sin problemas – Canadá	59
Cómo obtener servicio de la garantía en Puerto Rico	60
Cómo obtener servicio después de que finalice la garantía - Todas las ubicaciones	60
Cómo obtener servicio fuera de estas ubicaciones	60
Cómo obtener aditamentos y refacciones	61

SEGURIDAD DEL MOLINO DE CAFÉ

Su seguridad y la seguridad de los demás es muy importante.

Hemos incluido muchos mensajes importantes de seguridad en este manual y en su electrodoméstico. Lea y obedezca siempre todos los mensajes de seguridad.



Este es el símbolo de advertencia de seguridad.

Este símbolo le llama la atención sobre peligros potenciales que pueden ocasionar la muerte o una lesión a usted y a los demás.

Todos los mensajes de seguridad irán a continuación del símbolo de advertencia de seguridad y de la palabra “PELIGRO” o “ADVERTENCIA”. Estas palabras significan:

! PELIGRO

Si no sigue las instrucciones de inmediato, usted puede morir o sufrir una lesión grave.

! ADVERTENCIA

Si no sigue las instrucciones, usted puede morir o sufrir una lesión grave.

Todos los mensajes de seguridad le dirán el peligro potencial, le dirán cómo reducir las posibilidades de sufrir una lesión y lo que puede suceder si no se siguen las instrucciones.

SALVAGUARDAS IMPORTANTES

Siempre que se usan aparatos eléctricos, se deben tomar precauciones básicas de seguridad a fin de reducir el riesgo de incendio, descarga eléctrica o lesiones a las personas, como las siguientes:

1. Lea todas las instrucciones.
2. Para proteger contra riesgo de choque eléctrico, no ponga el molino de café en agua u otros líquidos.
3. Es necesaria una supervisión estricta cuando un niño utiliza cualquier electrodoméstico o si hay niños alrededor.
4. Desenchufe el molino de café de la toma de corriente antes de ponerlo en uso, de ponerle o quitarle partes y antes de lavarlo.
5. Evite tocar las partes que estén en movimiento.
6. No utilice ningún electrodoméstico que tenga un cable o un enchufe dañado o si ha funcionado mal, se ha caído o dañado de alguna forma. Devuelva el aparato al centro de servicio técnico autorizado más cercano para su inspección, reparación o ajuste eléctrico o mecánico.
7. El uso de accesorios no recomendados o vendidos por KitchenAid puede ocasionar incendios, choque eléctrico o lesiones.
8. No utilice al aire libre.
9. No permita que el cable quede colgando sobre la orilla de una mesa o barra, o que toque superficies calientes.
10. Revise la tolva para detectar la presencia de objetos extraños antes de utilizar.
11. Este producto está aprobado por el Underwriters Laboratory (certificado UL) para uso doméstico y comercial.
12. Este producto está aprobado por el Underwriters Laboratory (certificado cUL) para uso doméstico y comercial en Canadá.

CONSERVE ESTAS INSTRUCCIONES

REQUISITOS DE CORRIENTE ELÉCTRICA

⚠️ ADVERTENCIA



Peligro de Choque Eléctrico

Conecte a un contacto de pared de conexión a tierra de 3 terminales.

No quite la terminal de conexión a tierra.

No use un adaptador.

No seguir estas instrucciones puede ocasionar la muerte, incendio o choque eléctrico.



**VOLTIOS: 120 V.C.A.
HERTZ: 60 HZ**

NOTA: Este molino de café tiene un enchufe de tres patas con conexión a tierra.

Para reducir el riesgo de una descarga eléctrica, este enchufe sólo entra en una toma de corriente en un sólo sentido. Si el enchufe no entra en la toma de corriente, comuníquese con un electricista calificado. No modifique el enchufe de ningún modo.

Se surte un cable corto de suministro eléctrico para reducir el riesgo de enredarse o tropezar con un cable más largo. Existen cables de extensión que pueden utilizarse.

Si se utiliza un cable de extensión:

- La corriente nominal marcada en la extensión debe ser al menos tan alta como la corriente nominal del electrodoméstico.
- La extensión eléctrica debe ser un cordón de tres cables con puesta a tierra.
- Deberá ubicarse de forma tal que no quede colgando de la mesada o mesa donde pueda ser enganchado por los niños o causar tropiezos.

CARACTERÍSTICAS DEL MOLINO DE CAFÉ

Cubierta del motor

La cubierta es de metal colado en molde, durable y fácil de limpiar.



Tolva

La tolva con capacidad de 7 onzas (200 g) se desenrosca de la cubierta del motor para una fácil limpieza. La tapa a presión de la tolva permite un rápido y fácil llenado. La tolva y la tapa son aptas para lavavajillas (estante superior únicamente).



Recipiente de café

El recipiente de café es de vidrio para minimizar la "adherencia" estática de las moliendas de café. El recipiente es apto para lavavajillas (estante superior únicamente).



Plataforma del recipiente

La almohadilla de la plataforma acomoda el recipiente de café debajo del pico vertedor del café molido.



Placa de posicionamiento del recipiente

La placa ayuda a colocar el recipiente de café debajo del pico vertedor de la molienda y previene la fuga del café molido.



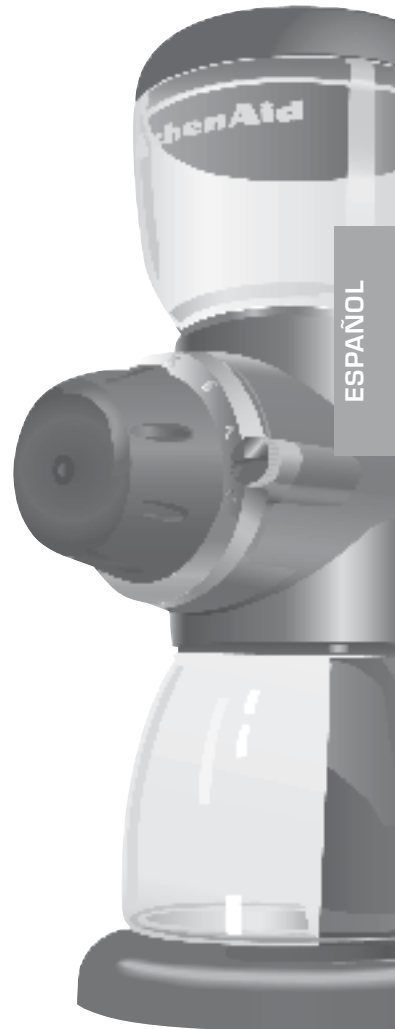
Perilla de control de molienda

La perilla grande y fácil de usar selecciona uno de los 15 niveles de molienda en incrementos graduales de 1 a 8.



Rueda de niveles de molienda

La rueda metálica muestra los niveles de molienda 1 (grosso) a 8 (fino).



Continuación...

CARACTERÍSTICAS DEL MOLINO DE CAFÉ



Interruptor de encendido/apagado (On/Off)

Presione "On" para moler, "Off" para dejar de moler.



Ensamblaje y tornillos de la placa frontal

El ensamblaje incluye la perilla de control de molienda y la rueda de niveles de molienda. Dos tornillos de la placa frontal sujetan el ensamblaje de la placa frontal a la cubierta del motor. Afloje los tornillos y quite el ensamblaje de la placa frontal para acceder a las fresas.

Cuando vuelva a montar la placa frontal, debe apretar los dos tornillos simultáneamente para permitir que la placa frontal quede alineada con el Molino de café.



Fresas cortantes de acero inoxidable de precisión

Las grandes fresas cortantes planas de 2¼ pulgadas (5.7 cm) de diámetro proporcionan una larga vida y una consistencia excepcional de la molienda. Las fresas se pueden ajustar para compensar el desgaste, o se pueden calibrar para satisfacer las rigurosas pautas de la Asociación Americana de Especialistas en Café (Specialty Coffee Association of America) para moliendas de café espresso y café de estilo francés.

Operación de bajas RPM

Un motor de CC especial y un sistema de reducción de engranajes demoran la rotación de las fresas cortantes, minimizando el calentamiento generado por fricción de las moliendas y conservando el sabor y el aroma del café. La operación de bajas rpm también reduce la carga estática – y la "adherencia" – de las moliendas de café.

Cable de corriente con nudo

El cable redondeado no tiene juntas que atrapen la molienda; el nudo se puede usar para atar cualquier excedente.

Base metálica de una pieza con patas de goma antideslizantes

La base de metal provee una plataforma estable para el molino. Las patas de goma amortiguan el ruido y la vibración, y ayudan a proteger la encimera.



Cepillo para limpiar las fresas

Las densas cerdas limpian rápida y fácilmente el exceso de granos molidos de las fresas cortantes.

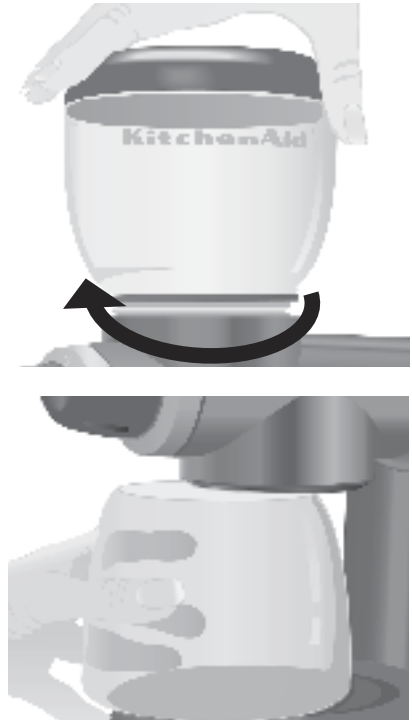
USO DEL MOLINO DE CAFÉ

Antes del primer uso

Antes de usar el molino de café, limpie la cubierta del motor y el cable con un paño húmedo. Lave la tolva, la tapa de la tolva y el recipiente de café con agua y jabón, luego enjuague y seque. La tolva, la tapa de la tolva y el recipiente de café también se pueden lavar en el estante superior de la lavavajillas.

Funcionamiento del molino de café

1. Asegúrese de que el molino de café esté desenchufado. Conecte la tolva a la parte superior de la cubierta del motor girando la tolva en el sentido de las manecillas del reloj hasta que esté ajustada.
2. Deslice el recipiente de café por la plataforma del recipiente; la placa de posicionamiento del recipiente en la cubierta del motor se comprimirá levemente para alojar el recipiente. Asegúrese de que el recipiente esté centrado en el medio de la plataforma.
3. Llene la tolva hasta el nivel deseado. Como máximo, la tolva alberga 7 onzas (200 g) de granos.



⚠️ ADVERTENCIA



Peligro de Choque Eléctrico

Conecte a un contacto de pared de conexión a tierra de 3 terminales.

No quite la terminal de conexión a tierra.

No use un adaptador.

No seguir estas instrucciones puede ocasionar la muerte, incendio o choque eléctrico.

NOTA: Este producto tiene como fin moler granos de café enteros únicamente.

4. Cubra la tolva con su tapa.
5. Conecte a una toma de corriente de tres entradas con conexión a tierra. El nudo provisto en el cable de corriente se puede usar para atar cualquier cable excedente.

Continuación...

USO DEL MOLINO DE CAFÉ

6. Seleccione la molienda girando la perilla de control de molienda hacia el programa deseado en la rueda de niveles de molienda. Vea la tabla de programas de molienda a continuación para adaptar el nivel de molienda a su proceso de preparación. Con el uso, podrá refinar los programas para satisfacer sus propios gustos. Con el uso, podrá refinar los programas para satisfacer sus propios gustos.



NOTA: Dado que los granos de café parcialmente molidos pueden permanecer entre las fresas después de que se apaga el molino de café, puede ser más fácil seleccionar una molienda más fina cuando el molino de café se encuentra en funcionamiento.

7. Para moler el café, mueva el interruptor de encendido/apagado (On/Off) a la posición de "On".
8. Cuando haya molido la cantidad de café deseada, mueva el interruptor de On/Off hacia la posición de "Off", saque el envase de café y retire el café molido con una cuchara.



Tabla de programas de molienda

Programa	Molienda	Para	TAMAÑO DE MOLIENDA PROMEDIO Producido por el molino de café antes del ajuste
8	Fina	Espresso	325 micrómetros
5	Mediana	Goteo automático	750 micrómetros
1	Gruesa	Estilo francés	1250 micrómetros

AJUSTE DE LAS FRESAS CORTANTES

De fábrica, el molino de café con Fresas KitchenAid® PRO LINE™ proporcionará moliendas adecuadas para prácticamente todos los tipos de preparación. Si usted prefiere café espresso o de tipo francés, no obstante, puede querer ajustar las fresas cortantes para que proporcionen un óptimo rendimiento para su estilo de preparación. Con el ajuste, el molino de café con Fresas cumplirá fácilmente con las rigurosas normas del tamaño de los granos de la Asociación Americana de Especialistas en Café (Specialty Coffee Association of America) para preparación de espresso (tamaño de molienda de 250 micrómetros) o para preparación de estilo francés (tamaño de molienda de 1500 micrómetros).

Ajuste para una máxima finura de molienda

Al ajustar el molino para proveer la máxima finura disminuirá levemente el tamaño de la molienda durante el proceso de molienda. (Para ajustar el molino para proporcionar moliendas más gruesas, véase página 50).

1. Vacíe la tolva, luego ponga en funcionamiento el molino algunos segundos para eliminar cualquier grano restante en la máquina.
2. Gire la perilla de control hasta el nivel "8".
3. Use una llave Allen o un destornillador de punta hexagonal de $\frac{5}{32}$ pulgadas (4 mm), quite el tornillo ubicado al frente de la perilla de control de molienda girándolo en el sentido contrario a las manecillas del reloj. Sostenga la perilla de control de molienda de modo que no gire mientras se quita el tornillo. Una vez que el tornillo esté suelto, quite la perilla de control de molienda.

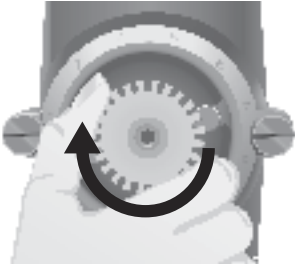


El engranaje blanco de control de molienda debe estar visible una vez que se quita la perilla de control de molienda.

4. Encienda el molino moviendo el interruptor de On/Off hacia la posición de "On".

AJUSTE DE LAS FRESAS CORTANTES

5. Gire el engranaje del control de molienda en el sentido de las manecillas del reloj con 1 "clic" o retención por vez hasta que escuche que las fresas se tocan entre sí – cuando se tocan, las fresas hacen un sonido de "roce" o un chirrido diferente.



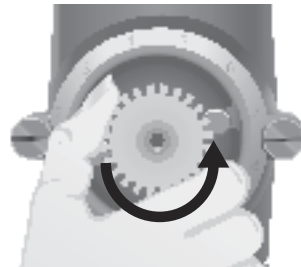
6. Cuando las fresas se estén tocando, encienda el engranaje de control de molienda en el sentido contrario a las manecillas del reloj con 1 "clic" o retención. El chirrido o "ruido de roce" cesará. Apague el molino moviendo el interruptor de encendido/apagado (On/Off) hacia la posición de "Off". El molino está ahora calibrado para proveer la máxima finura.
7. Vuelva a conectar la perilla de control de molienda, asegurándose que el indicador de la perilla señale el nivel de molienda "8".

NOTA: Si el molino de café produce un chirrido o "ruido de roce" durante el uso, las fresas no han sido correctamente ajustadas. Para evitar que se dañen las fresas, reajústelas inmediatamente.

Ajuste para proveer moliendas más gruesas

Cuando el molino se ajusta para proveer moliendas más gruesas, los tamaños de las moliendas se aumentarán en toda la molienda y el nivel más fino podría ser demasiado grueso para un espresso. (Para volver a calibrar el molino de café para finura máxima, véase la página 49.)

1. Gire la perilla de control de molienda hasta el nivel "1".
2. Use una llave Allen o un destornillador de punta hexagonal de $\frac{5}{32}$ pulgadas (4 mm), quite el tornillo ubicado al frente de la perilla de control de molienda girándolo en el sentido contrario a las manecillas del reloj. Una vez que el tornillo esté suelto, quite la perilla de control de molienda. El engranaje blanco de control de molienda debe estar visible una vez que se quita la perilla.
3. Gire el engranaje de control de molienda en el sentido contrario a las manecillas del reloj con 1 "clic" o retención por vez hasta que el sonido del "clic" disminuya y el engranaje ofrezca poca resistencia al giro.



4. Vuelva a conectar la perilla de control de molienda, asegurándose que el indicador de la perilla señale el nivel "1".

CONSEJOS PARA EL MOLINO DE CAFÉ



- Seleccione la molienda adecuada para el proceso de preparación que esté utilizando. Tiene a su disposición quince niveles de molienda en incrementos graduales de 1 a 8. El nivel 8 produce una molienda muy fina perfecta para un espresso, 4½ a 6 son moliendas medianas adecuadas para cafeteras automáticas de goteo, y 1 es una molienda gruesa adecuada para la preparación de estilo francés. Experimente, puede satisfacer su gusto utilizando una molienda más fina o más gruesa.
- Para un café con procedimiento de goteo convencional, un buen punto de partida es usar 1 onza (28 g) de café por cada 4 tazas (17 onzas [500 ml]) de agua de preparación de acuerdo con la medida de la garrafa (una taza de la garrafa tiene aproximadamente 4¼ onzas [125 mm]). Las moliendas más finas por lo general requieren menos café, pero usar una molienda muy fina producirá un sabor más amargo – véase “Cómo la molienda afecta el sabor” en la página 52.
- Si usted prefiere un café más suave en lugar del café convencional, lo mejor es prepararlo usando una cantidad normal de café molido y luego diluirlo con agua caliente. Esto maximizará el sabor y minimizará las notas amargas.
- El café molido pierde sabor y aroma rápidamente. Para obtener los mejores resultados, muele sólo el café que planea utilizar inmediatamente.
- Para mantener la frescura, los granos de café se deben conservar en un envase hermético y en un lugar fresco y oscuro. No se recomienda conservar los granos en la tolva del molino por un período prolongado.
- Lave el recipiente de café y las fresas cortantes con frecuencia.
- Moler granos de café saborizados dará un mal sabor a cualquier otro café que se muele en el molino. Si le gusta el café saborizado, lo mejor es agregar jarabes o cremas saborizadas al café después de prepararlo o usar otro molino para moler los granos saborizados únicamente.

NOTA: Las fresas se deberán lavar más frecuentemente cuando se muelan granos de café saborizados o con alto contenido de aceites. El molino de café se diseñó exclusivamente para moler granos de café enteros. No muele otros alimentos.

CÓMO LA MOLIENDA AFECTA EL SABOR

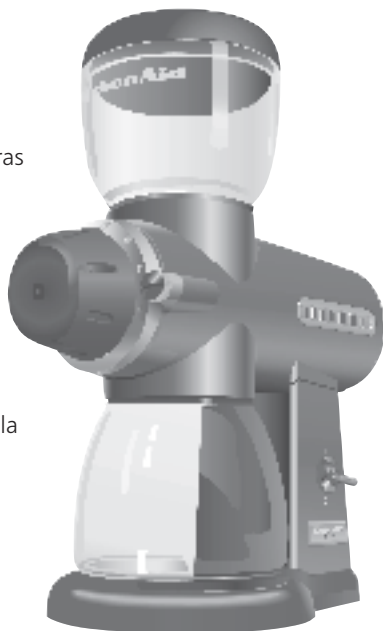
El sabor del café depende de una variedad de factores, incluyendo la calidad, frescura y el tostado de los granos, la pureza del agua de preparación, la limpieza del equipo de preparación y la temperatura de preparación. La finura y consistencia de la molienda también son críticas.

Si el café que se va a usar en un proceso de preparación particular se muele demasiado finamente, por ejemplo, si se usa una molienda demasiado fina para una cafetera de goteo, el agua extraerá más los aceites y compuestos aromáticos del café y el percolado tendrá un sabor sumamente fuerte y amargo. Por el contrario, si el café que se va a usar en un proceso de preparación particular está demasiado grueso, no se extraerán suficientes aceites y esencias del café y el percolado tendrá un sabor débil y con muy poco cuerpo. Si se usa la molienda correcta, añadir más café simplemente produce una preparación más fuerte sin que sea excesivamente amarga.

La consistencia de la molienda también es un factor importante en el sabor del café – y absolutamente crítica al preparar un gran espresso. Si el café se muele de manera uniforme, se obtendrán cantidades iguales de compuestos solubles de toda la molienda. Si la molienda tiene diferentes tamaños, no se extraerán los compuestos solubles de manera uniforme y se producirá una calidad muy mala. No es sorprendente que sea necesaria una molienda precisa para un buen espresso, que se prepara con agua casi hirviendo bajo una presión de 9 bars (130 lbs. [59 kg]).

La calidad de la molienda del café se relaciona directamente con el tipo de molino utilizado. Los molinos de alta velocidad con conjuntos de fresas pequeñas por lo general no producen la finura o consistencia requeridas para el mejor espresso. También calientan excesivamente los granos mientras muelen, lo que produce una pérdida del sabor y del aroma.

El molino de café con Fresa KitchenAid® PRO LINE™ utiliza un par de grandes fresas cortantes planas de estilo comercial para moler café con precisión. El calentamiento por fricción se minimiza con un sistema de reducción de engranajes que demora la rotación de las fresas, y la uniformidad se realiza con un engranaje helicoidal que transporta los granos hacia las fresas a una velocidad controlada. El resultado es una molienda excepcional que convierte a su café y a su espresso en los mejores.



CUIDADO Y LIMPIEZA

Limpieza de la cubierta del motor y las tolvas

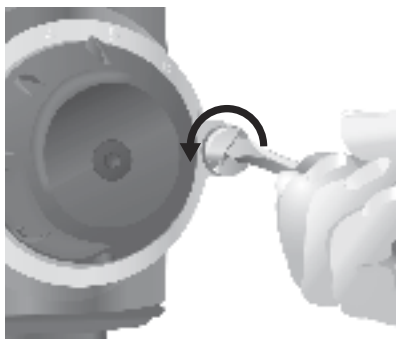
- Asegúrese que el molino de café esté apagado ("Off") y desconectado antes de limpiarlo.
- No sumerja la cubierta del motor en agua.
- Para evitar dañar el Molino de café, no sumerja en agua las fresas de corte, el ensamblaje del eje de la fresa, ni el ensamblaje de la placa frontal. Manténgalos secos en todo momento.
- Para evitar dañar el acabado, no utilice limpiadores abrasivos ni estropajos.
- Limpie la cubierta del motor y el cable con un paño limpio y húmedo. Seque con un paño suave.
- Lave el recipiente de café, la tolva y la tapa de la tolva con agua y jabón, luego enjuague y seque.
- La tolva, la tapa de la tolva y el recipiente de café también se pueden lavar en el estante superior de una lavavajillas.

Limpieza de las fresas cortantes

Si el molino se utiliza con frecuencia, las fresas de corte necesitan limpiarse periódicamente para obtener el mejor desempeño. La limpieza permite que las fresas logren las moliendas más finas y uniformes posibles – lo que es especialmente importante cuando se muele café para espresso.

A veces se encuentran objetos extraños, como piedrecillas o ramitas en el grano de café entero. Estos objetos pueden provocar que el molino se atasque. Si esto ocurre, siga el procedimiento de limpieza de las fresas para eliminar el material extraño.

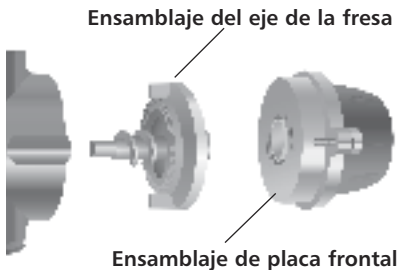
1. Asegúrese de que el molino esté apagado y desenchufado. Quite el recipiente de café y la tolva del molino.
2. Usando un destornillador de punta plana, gire los dos tornillos de la placa frontal en el sentido contrario a las manecillas del reloj hasta que se afloje el ensamblaje de la capa frontal. (Los tornillos de la placa frontal tienen grapas sujetadoras que previenen que se puedan sacar del ensamblaje de la placa frontal).



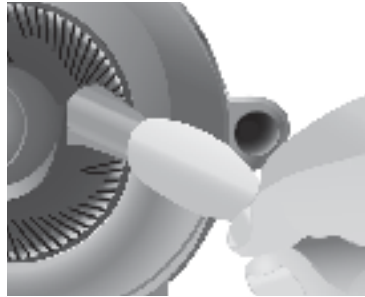
Continuación...

CUIDADO Y LIMPIEZA

3. Deslice lentamente el ensamblaje de placa frontal hacia fuera de la cubierta del motor. Un ensamblaje del eje de la fresa en el interior de la cubierta del motor usualmente se deslizará con el ensamblaje de la placa frontal. Coloque una de sus manos debajo del ensamblaje del eje de la fresa para evitar que se caiga mientras retira el ensamblaje de la placa frontal. Si el ensamblaje del eje de la fresa no se desliza con el ensamblaje de placa frontal, tome el eje central del ensamblaje del eje de la fresa y sáquele de la cubierta.



4. Usando el cepillo de limpieza de las fresas, limpie la fresa montada en el ensamblaje del eje de la fresa y la fresa montada dentro de la cubierta de motor.



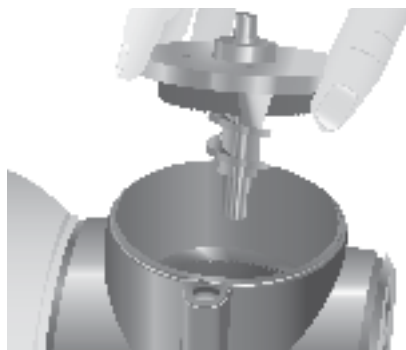
NOTA: Para evitar que se dañe el Molino de café con fresas, no lave con agua las fresas ni el ensamblaje del eje de la fresa. Manténgalos secos en todo momento.

5. Después de limpiar, incline el molino de café hacia atrás de modo que el frente de la cubierta del motor mire hacia arriba.

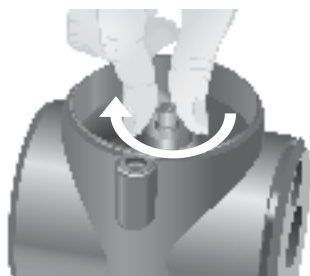


6. Con el eje tipo gusano en forma de sacacorchos mirando hacia la cubierta del motor, inserte el ensamblaje del eje de la fresa en el molino. Mantenga el nivel del ensamblaje del eje de la fresa, de modo que la punta del eje tipo gusano se alinee con la pequeña cavidad de la cubierta del motor.

CUIDADO Y LIMPIEZA

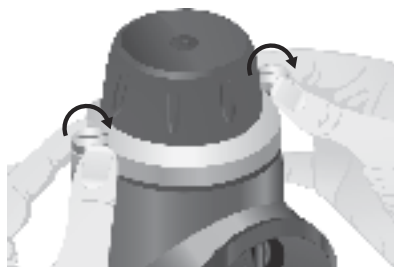


- Una vez que el ensamblaje del eje de la fresa está en la cubierta del motor, gire el ensamblaje hasta que se coloque en su lugar. Cuando se coloque correctamente el ensamblaje del eje de la fresa, éste no podrá rotar y, al presionar el eje de la fresa hará que se regrese.



- Coloque el ensamblaje de placa frontal en la cubierta del motor. Asegúrese de que los números en la rueda de niveles de molienda estén ubicados en la parte superior del ensamblaje. Usando los dedos, ajuste los tornillos de la placa frontal girando en el sentido de las manecillas del reloj. Alterne el ajuste de los tornillos, manteniéndolos parejos – no ajuste totalmente un tornillo antes de ajustar el otro. Los dos tornillos se

deben apretar simultáneamente para permitir que la placa frontal quede asentada de manera uniforme y nivelada con la unidad.



- Después de que se han ajustado con los dedos los tornillos de la placa frontal, use un destornillador de punta plana para terminar de ajustarlos por completo. Falta una "a", la palabra debería ser "plana".
- Coloque el molino de café en posición vertical. Ya está listo para usar.

Ajuste de las fresas cortantes por desgaste

Las fresas cortantes están hechas de acero inoxidable de alta calidad para una duración excepcional. Después del uso prolongado, no obstante, las fresas podrían necesitar un ajuste para compensar el desgaste por el uso. Si sus moliendas – especialmente para espresso – no salen tan finas como solían hacerlo, probablemente se necesite un ajuste.

Por favor vea "Ajuste de las fresas cortantes" en la página 50 para información sobre ajuste de las fresas a fin de proporcionar la máxima finura de molienda.

Continuación...

CUIDADO Y LIMPIEZA

Reemplazo de las fresas cortantes

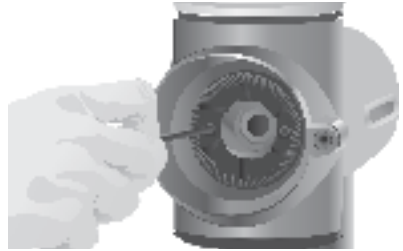
Si las fresas cortantes se dañan o han llegado al final de su vida útil (usualmente después de moler 600–800 libras [270–360 kg] de café), se pueden reemplazar fácilmente. Comuníquese con KitchenAid al 1-800-541-6390 para ordenar un juego de fresas de reemplazo.

Para reemplazar las fresas:

1. Quite los ensamblajes de placa frontal y eje de la fresa. Para instrucciones, véase "Limpieza de las fresas cortantes" pasos 1, 2 y 3 en las páginas 53 y 54.
2. Con un destornillador de punta de estrella, quite la fresa del ensamblaje del eje de la fresa girando los dos tornillos de montaje de la fresa en el sentido contrario a las manecillas del reloj hasta que se aflojen.



3. Saque la fresa de la cubierta del motor girando los dos tornillos de montaje de la fresa en el sentido contrario a las manecillas del reloj hasta que se aflojen.



4. Sujete las fresas de reemplazo al ensamblaje de eje de la fresa y a la cubierta del motor usando los tornillos de montaje de la fresa. Asegúrese que las superficies cortantes de las fresas miren hacia afuera, y que los tornillos de montaje de la fresa estén ajustados.
5. Inserte el ensamblaje de eje de la fresa en la cubierta del motor y sujete el ensamblaje de placa frontal. Para instrucciones, véase "Limpieza de las fresas cortantes" pasos 5 – 10 en las páginas 54 y 55.

RESOLUCIÓN DE PROBLEMAS

- Si el molino no funciona cuando se enciende:

⚠ ADVERTENCIA



Peligro de Choque Eléctrico

Conecte a un contacto de pared de conexión a tierra de 3 terminales.

No quite la terminal de conexión a tierra.

No use un adaptador.

No seguir estas instrucciones puede ocasionar la muerte, incendio o choque eléctrico.

Revise para ver que el molino esté enchufado a una toma de corriente de tres patas con conexión a tierra. Si lo está, desenchufe el molino, luego enchúfelo nuevamente en la misma toma de corriente. Si el molino aún no funciona, revise el fusible o el interruptor del circuito eléctrico al que está conectado el molino y asegúrese de que el circuito esté cerrado. Si el molino no funciona después de seguir estos pasos, puede que haya un objeto extraño obstaculizando las fresas cortantes. Véase "Limpieza de las fresas cortantes" en la página 53 para más información.

- Si el molino funciona cuando se enciende, pero el café no se muele:

Las fresas cortantes necesitan limpieza o están gastadas. Véase "Limpieza de las fresas cortantes" en la página 53 o "Reemplazo de las fresas cortantes" en la página 56 para más información.

- Si el molino funciona normalmente, pero se detiene en forma abrupta:

Apague el molino de inmediato. Puede que un objeto extraño, como una piedrecilla o ramita, haya atascado las fresas cortantes. Véase "Limpieza de las fresas cortantes" en la página 53 para más información.

- Si la molienda es demasiado gruesa, o el molino no está produciendo intervalos de moliendas aceptables:

Véase "Ajuste de las fresas cortantes por desgaste" en la página 55 o "Reemplazo de las fresas cortantes" en la página 56 para más información.

Si el problema no puede arreglarse siguiendo los pasos anteriores, consulte las secciones de Garantía y Servicio KitchenAid en las páginas 58-61.*

* No devuelva el molino de café a la tienda donde la compró porque ellos no brindan el servicio técnico.

KITCHENAID® PRO LINE™ GARANTÍA DEL MOLINO DE CAFÉ

Duración de la garantía:	KitchenAid pagará por:	KitchenAid no pagará por:
<p>50 estados de los Estados Unidos, el Distrito de Columbia, Canadá y Puerto Rico: Garantía limitada por dos años para uso doméstico, a partir de la fecha de la compra.</p>	<p>50 estados de los Estados Unidos, el Distrito de Columbia y Canadá: El reemplazo de su molino de café sin dificultades. Consulte la siguiente página para obtener los detalles sobre cómo realizar el reemplazo.</p> <p>O</p> <p>En Puerto Rico: Los costos de los repuestos y del trabajo de reparación para corregir los defectos en los materiales y la mano de obra. El servicio técnico debe ser provisto por un Centro de servicio técnico de KitchenAid autorizado. Para solicitar un servicio técnico, siga las instrucciones de la página 60.</p>	<p>A. Las reparaciones cuando el molino de café sea utilizado con otro fin que no sea el uso doméstico normal de una familia.</p> <p>B. Los daños como consecuencia de un accidente, alteración, mal uso, abuso o uso con productos no aprobados por KitchenAid.</p> <p>C. Los costos de repuestos o de mano de obra de reparación del molino de café cuando haya sido utilizado fuera del país en donde fue comprado.</p>

LA EXENCIÓN DE RESPONSABILIDADES DE LAS GARANTÍAS IMPLÍCITAS, LAS GARANTÍAS IMPLÍCITAS DE LIMITACIÓN DE LOS RECURSOS, INCLUYENDO GARANTÍAS EN LA MEDIDA EN QUE SE APLIQUEN A LA COMERCIABILIDAD O APTITUD CON UN FIN DETERMINADO, SON EXCLUIDAS EN LA MEDIDA PERMITIDA POR LEY. CUALQUIER GARANTÍA IMPLÍCITA QUE PUEDA SER IMPUESTA POR LEY ESTÁ LIMITADA A UN AÑO O AL PERÍODO MÁS CORTO PERMITIDO POR LEY. ALGUNOS ESTADOS Y PROVINCIAS NO PERMITEN LIMITACIONES NI EXCLUSIONES EN RELACIÓN CON LA DURACIÓN DE UNA GARANTÍA IMPLÍCITA DE COMERCIABILIDAD O DE APTITUD, DE MANERA TAL QUE LAS LIMITACIONES O EXCLUSIONES ANTERIORES PUEDE QUE NO SE APLIQUEN EN SU CASO.

SI ESTE PRODUCTO NO FUNCIONA SEGÚN SE GARANTIZA, EL ÚNICO Y EXCLUSIVO RECURSO DEL CLIENTE SERÁ LA REPARACIÓN O EL REEMPLAZO SEGÚN LOS TÉRMINOS Y LAS CONDICIONES DE ESTA GARANTÍA LIMITADA. KITCHENAID Y KITCHENAID CANADA NO ASUMEN NINGUNA RESPONSABILIDAD POR DAÑOS INCIDENTALES O CONSIGUIENTES. Esta garantía le otorga derechos legales específicos y es posible que usted goce de otros derechos que varían de estado en estado o de provincia en provincia.

GARANTÍA DE REPOSICIÓN SIN PROBLEMAS – 50 ESTADOS DE LOS ESTADOS UNIDOS Y EL DISTRITO DE COLUMBIA

Tenemos tanta confianza de que la calidad de nuestros productos cumple con los exigentes estándares de KitchenAid que, si su molino de café KitchenAid® PRO LINE™ deja de funcionar dentro de los primeros dos años después de la compra, KitchenAid la reemplazará por uno idéntico o comparable y la enviará a lo puerta de su hogar sin cargo alguno y dispondrá sobre la forma de devolución de su molino de café original. Su unidad de reemplazo también estará protegida por nuestra garantía limitada por dos años. Por favor siga estas instrucciones para recibir este servicio de calidad.

Si su molino de café presentara alguna falla durante los primeros dos años después de la compra, simplemente llame gratis a nuestro Centro de satisfacción del cliente al 1-800-541-6390, de lunes a viernes, de 8 a.m. a 8 p.m. (Hora del Este), o sábado, de 10 a.m. a 5 p.m. Proporcione al agente su dirección de envío completa. (Sin apartado postal, por favor.)

Cuando reciba el reemplazo de su molino de café, utilice la caja y los materiales de embalaje para embalar su molino de café original. En la caja de cartón incluya su nombre y dirección en una hoja de papel junto con una copia del comprobante de compra (recibo de la caja registradora, recibo de tarjeta de crédito, etc.).

GARANTÍA DE REPOSICIÓN SIN PROBLEMAS - CANADÁ

Estamos tan confiados en que la calidad de nuestros productos cumple con los exigentes estándares de la marca KitchenAid que, si su molino de café fallara dentro de los primeros dos años después de la compra, KitchenAid Canada reemplazará su molino de café por otro idéntico o comparable. Su unidad de reemplazo también estará protegida por nuestra garantía limitada por dos años. Por favor siga estas instrucciones para recibir este servicio de calidad.

Si su molino de café presentara alguna falla durante los primeros dos años después de la compra, lleve el molino de café o envíe por cobrar a un Centro de servicio autorizado KitchenAid Canada. En la caja de cartón incluya su nombre y dirección en una hoja de papel junto con una copia de la prueba de compra (recibo de registro, recibo de tarjeta de crédito, etc.). Su molino de café de reemplazo se le entregará por envío prepagado y asegurado. Si el servicio al cliente que se le brinde no es satisfactorio, llame sin costo a nuestro Centro de interacción con el cliente al 1-800-807-6777. O escribanos a: Customer Interaction Centre, KitchenAid Canada, 1901 Minnesota Court, Mississauga, ON L5N 3A7.

Continuación...

CÓMO OBTENER SERVICIO DE LA GARANTÍA EN PUERTO RICO

Su molino de café tiene garantía limitada de dos años a partir de la fecha de compra. KitchenAid pagará por los repuestos y el costo del trabajo para corregir los defectos en los materiales y la mano de obra. Un Centro de servicio autorizado KitchenAid debe proporcionar el servicio.

Lleve el molino de café o envíelo con envío prepagado y asegurado a un Centro de servicio autorizado KitchenAid. Su molino de café reparado se le devolverá por envío prepagado y asegurado. Si el servicio al cliente que se le brinde no es satisfactorio, llame sin costo al 1-800-541-6390 para conocer la ubicación de un Centro de servicio cerca de usted.

CÓMO OBTENER SERVICIO DESPUÉS DE QUE FINALICE LA GARANTÍA – TODAS LAS UBICACIONES

Antes de llamar al servicio técnico, por favor revise la sección de Resolución de problemas en la página 57.

Para obtener información de servicio en los 50 estados de los Estados Unidos, en el Distrito de Columbia y Puerto Rico, llame sin costo al 1-800-541-6390. O escríbanos a: Customer Satisfaction Center, KitchenAid Portable Appliances, P.O. Box 218, St. Joseph, MI 49085-0218. O comuníquese a un Centro de servicio autorizado cerca de usted.

Para obtener información de servicio en Canadá, llame sin costo al 1-800-807-6777. O escriba a: Customer Interaction Centre, KitchenAid Canada, 1901 Minnesota Court, Mississauga, ON L5N 3A7.

CÓMO OBTENER SERVICIO FUERA DE ESTAS UBICACIONES

Consulte a su distribuidor local de KitchenAid o a la tienda donde adquirió su molino de café KitchenAid® PRO LINE™ para que le proporcionen información sobre cómo obtener servicio.

Para obtener información de servicio en México, llame sin costo al 01-800-024-17-17 (JV Distribuciones) ó al 01-800-902-31-00 (Industrias Birtman).

CÓMO OBTENER ADITAMENTOS Y REFACCIONES

Para ordenar aditamentos o refacciones para su molino de café en los 50 estados de los Estados Unidos, el Distrito de Columbia y Puerto Rico, llame sin costo al 1-800-541-6390 de lunes a viernes de 8 a.m. a 8 p.m. (Hora del Este), o sábado, de 10 a.m. a 5 p.m. O escríbanos a: Customer Satisfaction Center, KitchenAid Portable Appliances, P.O. Box 218, St. Joseph, MI 49085-0218.

Para solicitar aditamentos o refacciones para su molino de café en Canadá, llame sin costo al 1-800-807-6777. O escríbanos a: Customer Interaction Centre, KitchenAid Canada, 1901 Minnesota Court, Mississauga, ON L5N 3A7.

Para solicitar aditamentos o refacciones para su molino de café en México, llame sin costo al 01-800-024-17-17 (JV Distribuciones) ó al 01-800-902-31-00 (Industrias Birtman).

Free Manuals Download Website

<http://myh66.com>

<http://usermanuals.us>

<http://www.somanuals.com>

<http://www.4manuals.cc>

<http://www.manual-lib.com>

<http://www.404manual.com>

<http://www.luxmanual.com>

<http://aubethermostatmanual.com>

Golf course search by state

<http://golfingnear.com>

Email search by domain

<http://emailbydomain.com>

Auto manuals search

<http://auto.somanuals.com>

TV manuals search

<http://tv.somanuals.com>