

KitchenAid[®]

HOME APPLIANCES

Installation Instructions

Part No. 3184873 Rev. B

**30" Electric Thermal and
Thermal/Convection
Drop-in/Slide-in Range
with Self-Cleaning Oven**

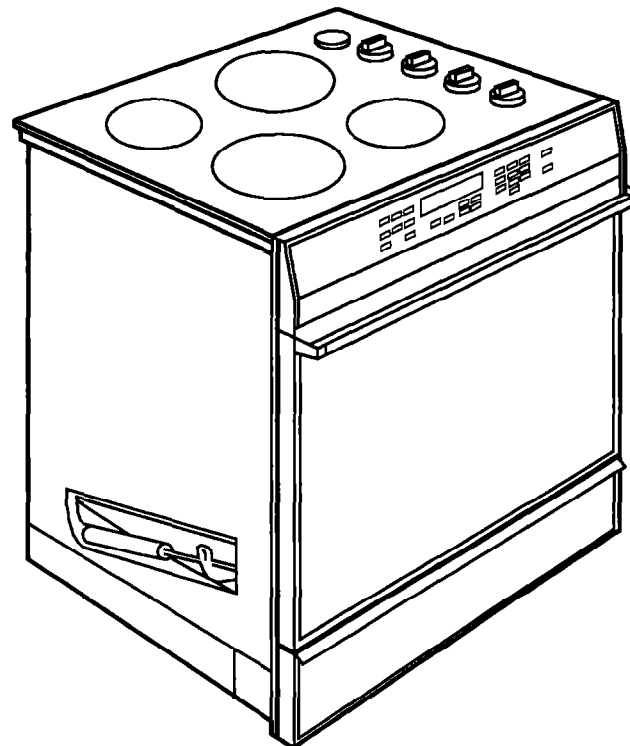
**IMPORTANT:
Read and save
these instructions.**

IMPORTANT:

Installer: Leave Installation Instructions with the homeowner.

Homeowner: Keep Installation Instructions for future reference.

Save Installation Instructions for local electrical inspector's use.

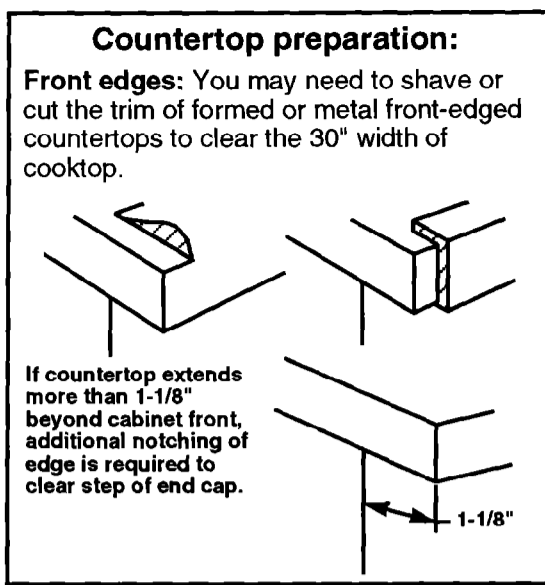
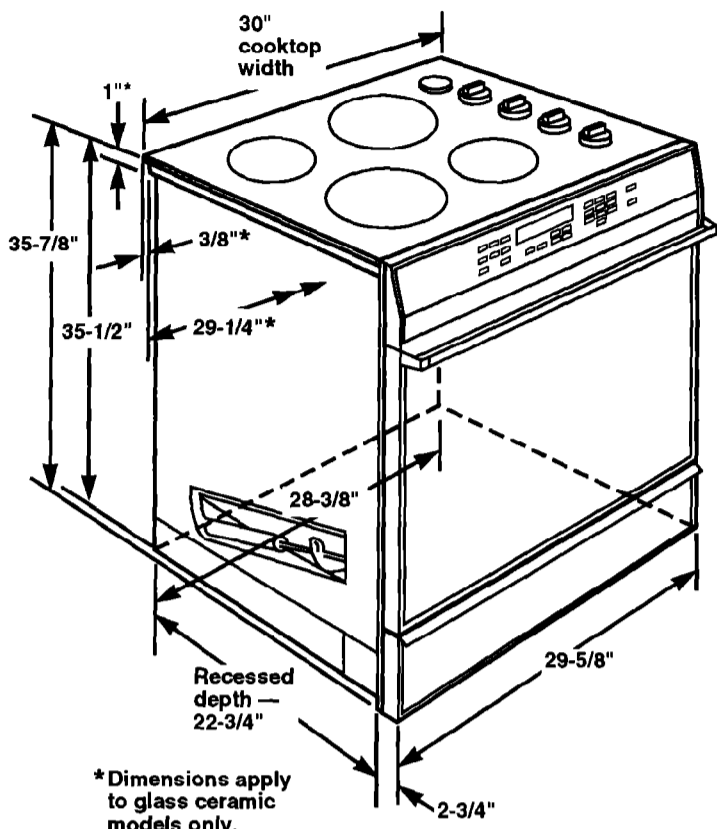


6/94

This range is shipped for slide-in installation. If drop-in installation is required, lower front grille, Kit No. 3183638 (black), 3183639 (white) or 3183640 (almond), must be purchased. The kit is available from your dealer or an authorized parts distributor.

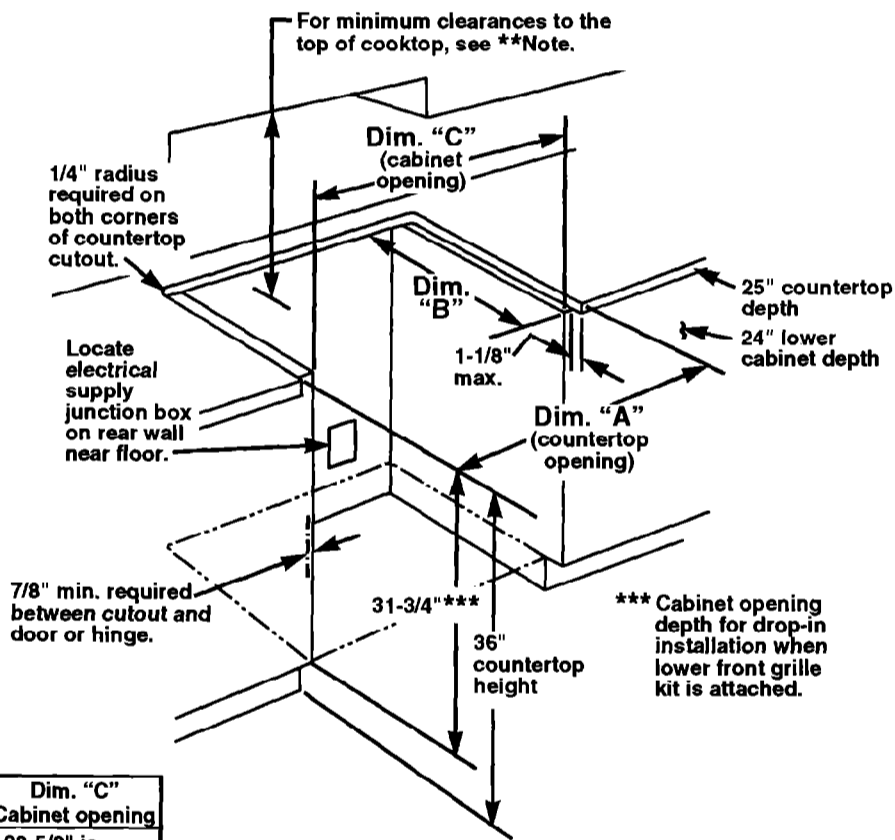
Important: Observe all governing codes and ordinances.

Grounded electrical outlet is required. See "Electrical requirements."



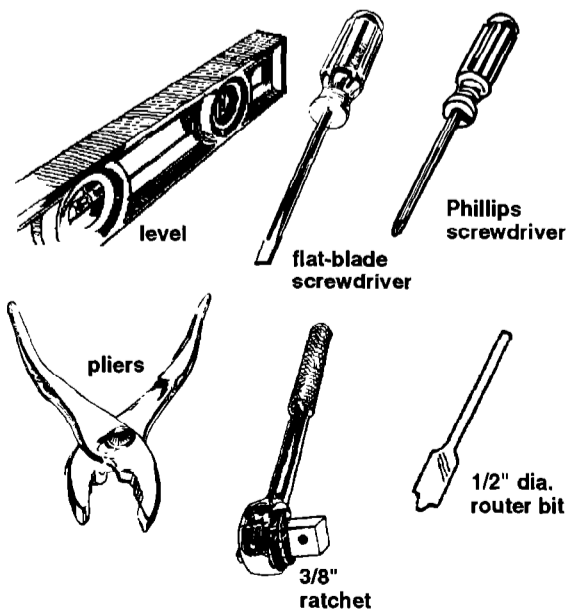
Countertop must be level. Place level on countertop, first side to side; then front to back. If countertop is not level, range will not be level. Oven must be level for satisfactory baking conditions.

**** Note:** 24" min. clearance if protected by not less than 1/4" flame retardant millboard covered with not less than No. 28 MSG sheet steel, .015" stainless steel, or .024" aluminum or .020" copper. 30" min. clearance between the top of cooktop and the bottom of an unprotected wood or metal cabinet.



Countertop opening	Dim. "A"	Dim. "B"	Dim. "C" Cabinet opening
Open coil and cast-iron models	28-5/8"	19-5/8"	28-5/8" is recommended.
Glass ceramic models	29-3/8"	20-5/16"	28-1/2" min.

Tools needed for installation:



Electrical requirements

⚠ WARNING

Electrical Shock Hazard

- **Electrical ground is required on this appliance.**
- **Do Not ground to a gas pipe.**
- **Do Not have a fuse in the neutral or grounding circuit. A fuse in the neutral or grounding circuit could result in an electrical shock.**
- **Check with a qualified electrician if you are in doubt as to whether the appliance is properly grounded.**

Failure to follow these instructions could result in serious injury or death.

If codes permit and a separate grounding wire is used, it is recommended that a qualified electrician determine that the grounding path is adequate.

Before you start...

Read electrical and carpentry instructions. Proper installation is your responsibility. A qualified technician should install this range. Make sure you have everything necessary for correct installation. It is the customer's responsibility to make sure that the countertop has been properly prepared and that the installation clearances specified on the serial/rating plate are met. The serial/rating plate can be found on the oven frame behind the oven door.

⚠ WARNING

Electrical Shock Hazard

It is the customer's responsibility:

- **To contact a qualified electrical installer.**
- **To assure that the electrical installation is adequate and in conformance with National Electrical Code, ANSI/NFPA 70 — latest edition****, and all local codes and ordinances.**

Failure to do so could result in electrical shock or other personal injury.

Personal Injury Hazard

To eliminate the risk of burns or fire, avoid installing cabinet storage above the cooking surface. If cabinets are already installed, reduce the hazard of reaching over a heated cooking surface by installing a range hood.

The range hood should extend a minimum of 5 inches out from the bottom front of the cabinets.

Reaching over a heated cooking surface could result in a serious burn.

Mobile home installation

The installation of this range must conform to the Manufactured Home Construction and Safety Standards, Title 24 CFR, Part 3280 (formerly the Federal Standard for Mobile Home Construction and Safety, Title 24, HUD Part 280); or when such standard is not applicable, the Standard for Manufactured Home Installations 1982 (Manufactured Home Sites, Communities and Setups), ANSI A225.1-1987, or with local codes.

When this range is installed in a mobile home, it must be secured to the cabinet (See Step 8.) during transit. Any method of securing the range is adequate as long as it conforms to the standards listed above.

Four-wire power supply cord must be used in a mobile home installation. The appliance wiring will need to be revised. See "Electrical requirements," Figure 3, Panel B.

Copies of the standards listed may be obtained from:

******National Fire Protection Association
Battery March Park
Quincy, Massachusetts 02269**

A. A three-wire or four-wire, single-phase, 120/240-volt, 60-Hz, AC-only electrical supply (or three-wire or four-wire 120/208-volt if specified on the serial/rating plate) is required on a separate 40 amp circuit, fused on both sides of the line. A time-delay fuse or circuit breaker is recommended. The serial/rating plate is located on the oven frame behind the oven door.

B. THE RANGE MUST BE CONNECTED WITH COPPER WIRE ONLY.

C. Wire sizes and connections must conform to the requirements of the National Electrical Code, ANSI/NFPA 70 — latest edition**** and all local codes and ordinances for the kilowatt rating of the range.

D. The appliance should be connected directly to the fused disconnect or circuit breaker box through flexible, armored or non-metallic sheathed, copper cable (with grounding wire). Locate the junction box to allow two to three feet of slack in the line so that the range can be moved if servicing is ever necessary. Do Not cut the conduit.

A U.L.-listed conduit connector **must** be provided at each end of the power supply cable (at the appliance and at the junction box). Wire sizes (COPPER WIRE ONLY) and connections must conform with the rating of the appliance.

E. The Tech Sheet is in a pouch attached to the left hand underside of the oven. To access, remove the storage drawer (slide-in) or grille (drop-in).

Electrical connection

⚠ WARNING

Electrical Shock Hazard

- Electrical ground is required on this appliance.
- Do Not connect to the electrical supply until appliance is permanently grounded.
- Disconnect power to the junction box before making the electrical connection.
- This appliance must be connected to a grounded, metallic, permanent wiring system, or a grounding connector should be connected to the grounding terminal or wire lead on the appliance.

Failure to do so could result in a fire, personal injury or electrical shock.

This appliance is manufactured with the white (neutral) power supply wire and a cabinet-connected green grounding wire twisted together.

Connect the appliance cable to the junction box through the U.L.-listed conduit connector. Complete electrical connection according to local codes and ordinances.

A. Where local codes permit... connecting the cabinet-grounding conductor to the neutral (white) junction box wire:

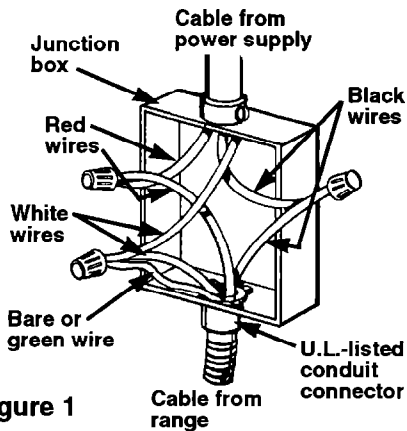


Figure 1
Grounded Neutral

1. Disconnect the power supply.
2. Connect together 3 wires: green and white appliance cable wires and the neutral (white) wire in junction box.
3. Connect the two black wires together; then the two red wires together. See Figure 1.

B. Where local codes Do Not permit... connecting the cabinet-grounding conductor to the neutral (white) junction box wire:

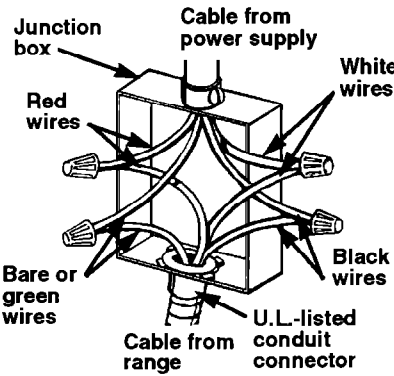


Figure 2
Ungrounded Neutral

1. Disconnect the power supply.
2. Separate the green and white appliance cable wires.
3. Connect the white appliance cable wire to the neutral (white) wire in the junction box.
4. Connect the two black wires together; then the two red wires together. See Figure 2.
5. Connect the green grounding wire to a grounded wire in the junction box.

C. If connecting to a four-wire electrical system:

DO NOT connect the cabinet-grounding conductor to the neutral (white) junction box wire.

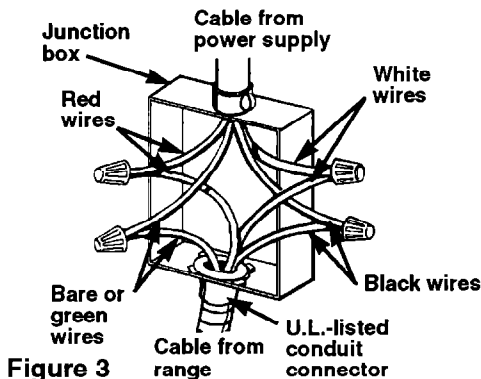


Figure 3

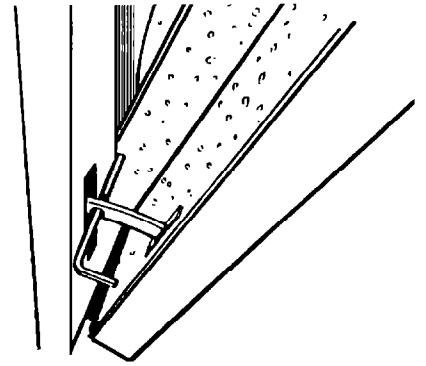
1. Disconnect the power supply.
2. Separate the green and white appliance cable wires.
3. Connect the white appliance cable wire to the neutral (white) wire in the junction box.
4. Connect the two black wires together; then the two red wires together. See Figure 3.
5. Connect the green grounding wire to the grounding wire in the junction box.

Now start...

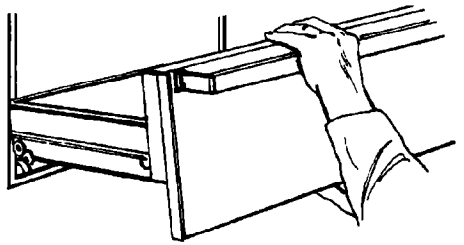
With range in kitchen.

1. Remove shipping materials, tape, and protective film from range. **Do Not remove shipping base at this time.**

2. Remove the racks and other parts from inside the oven.



3. Insert a nail or a 5/32" diameter item in the hole in each of the hinges. Close the door as far as possible. Lift oven door off of the hinges and set aside.



4. Slide-in installation: Remove storage drawer. Drop-in installation: Remove storage drawer and the side bottom panels. Install Kit. No. 3183638 (black), 3183639 (white), or 3183640 (almond) according to the Installation Instructions packed with kit.

⚠ CAUTION

Floor Damage

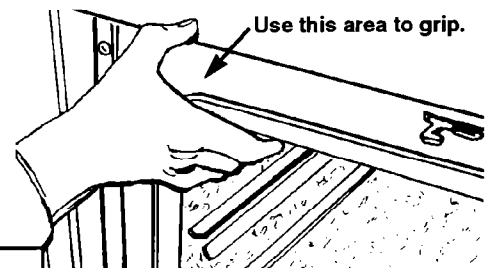
Before moving range across floor, check that range is on shipping base or slide range onto cardboard or hardboard. Failure to do so could cause damage to floor covering.

5. Move range close to cabinet cutout. Make electrical connection. See "Electrical requirements" and "Electrical connection" sections, Panels A and B, for details.

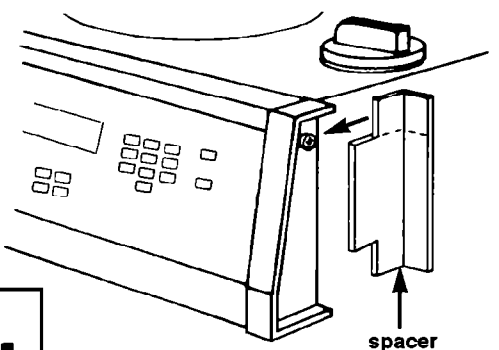
⚠ WARNING

Personal Injury Hazard

Because of the weight and size of this range, two or more people are needed to move and safely install it. Failure to do so could result in personal injury.

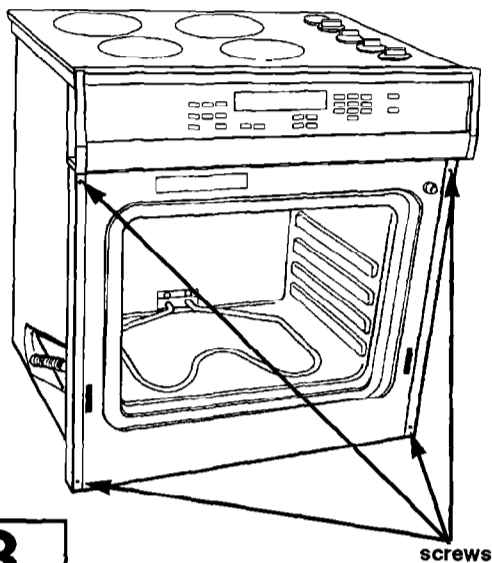


6. Remove and discard shipping base or cardboard or hardboard from under range. Lift range up to cabinet opening using the oven opening as an area to grip.



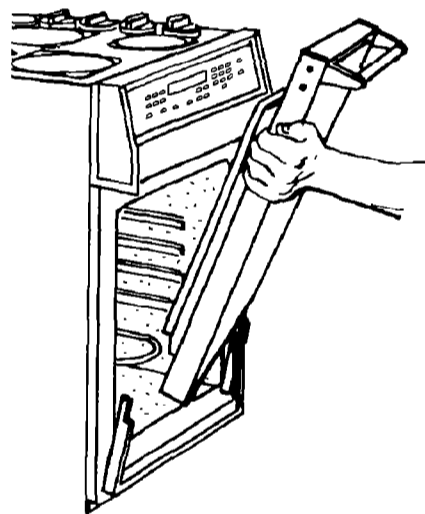
7. Center range in cabinet cutout. Loosen screws and insert spacers (shipped in literature bag) on each side of the control console. If range does not fit properly, check spacers. The spacers

may need to be cut to fit under the countertop. Mark with a pencil where each spacer needs to be cut. Loosen both screws to remove spacers. Cut across top of each spacer. Replace spacers and tighten screws. Check that range fits properly on countertop.



8.

Secure range to cabinet using the four screws through the mounting holes in the front frame of the oven.



9.

Replace oven door by fitting both corners of door over ends of hinges. Push door evenly and completely onto hinges. Remove nails from hinges. If door does not close, you have not pushed door completely onto hinges.

Slide-in installations: Replace storage drawer.

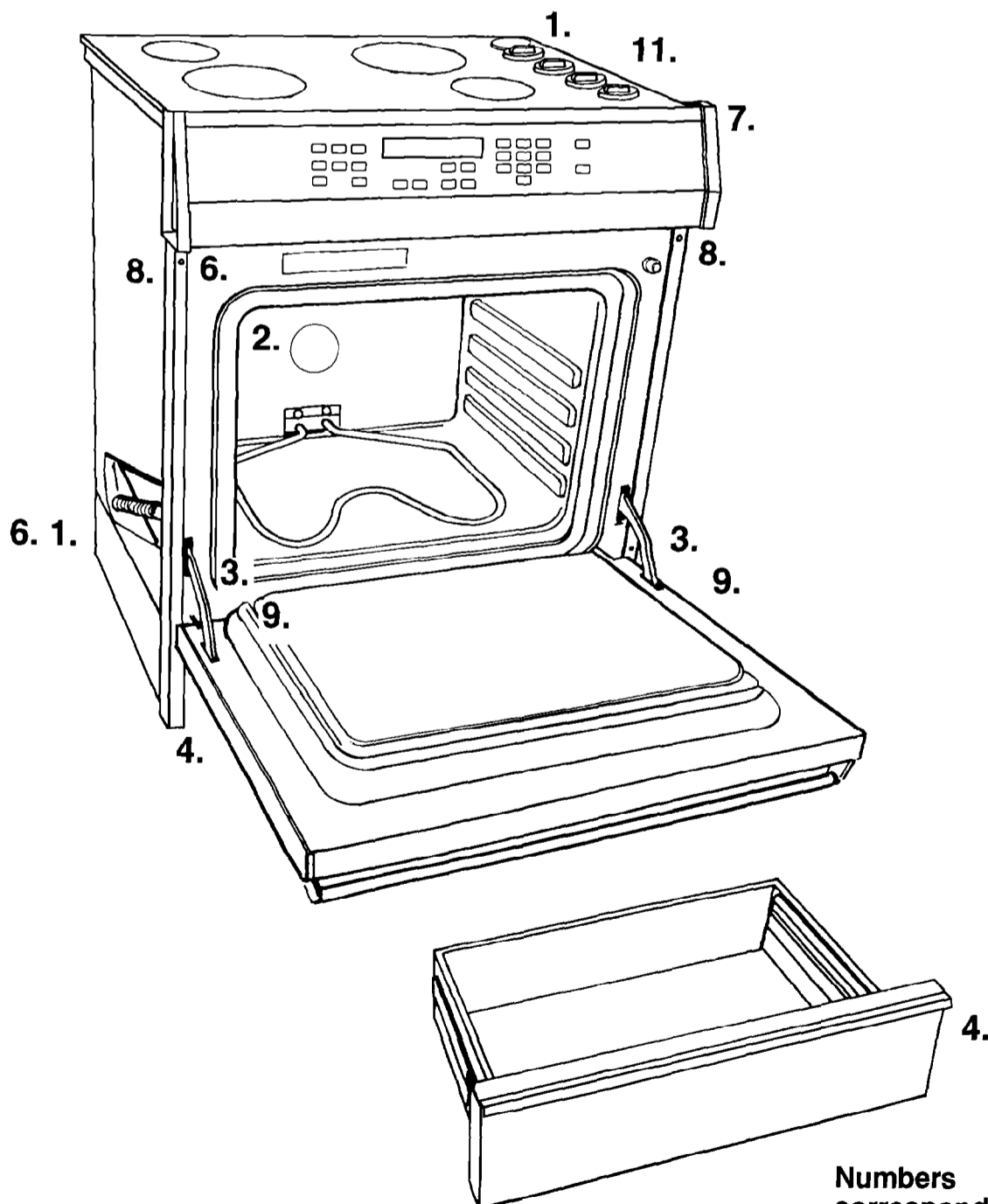
10.

Turn power supply on.

11.

Refer to your "Use and Care Guide" and check the operation of the cooktop elements, the bake element and broil element.

To get the most efficient use from your new electric range, read your KitchenAid Use and Care Guide. Keep Installation Instructions and Guide close to range for easy reference.



Numbers correspond to steps.

If the range does not operate...

First check that the circuit breaker is not tripped or the house fuse blown. A more detailed troubleshooting checklist is provided in the Use and Care Guide.

NOTE:

Refer to Use and Care Guide for operating instructions and cleaning instructions.



WARNING

**Personal Injury/Product
Damage Hazard**

**Do Not step, lean or sit on the range door.
Failure to follow these instructions could
result in personal injury and/or product
damage.**

For cleaning and maintenance...

If removing the range is ever necessary for cleaning or maintenance, disconnect the electrical supply to the range. Remove screws holding range to cabinet and pull range out only as far as necessary to disconnect the electric supply cable. Remove the range to complete cleaning or maintenance. Move range back into operating position. Replace screws and secure range to cabinet. Reconnect the electric supply.

If you need assistance...

The KitchenAid Consumer Assistance Center will answer any questions about operating or maintaining your range not covered in the Installation Instructions. The KitchenAid Consumer Assistance Center is open 24 hours a day, 7 days a week. Just dial (800) 422-1230 — the call is free.

When you call, you will need the range model number and serial number. Both numbers can be found on the serial/rating plate located on the oven frame behind the oven door.

If you need service...

In the event that your KitchenAid appliance should need service, call the dealer from whom you purchased the appliance or a KitchenAid-authorized service company. A KitchenAid-authorized service company is listed in the Yellow Pages of your telephone directory under "Appliances — Household — Major — Service or Repair." You can also obtain the service company's name and telephone number by dialing, free, within the continental United States, the KitchenAid Consumer Assistance Center telephone number, (800) 422-1230. A special operator will tell you the name and number of your nearest KitchenAid-authorized service company. Maintain the quality built into your KitchenAid appliance — call a KitchenAid-authorized service company.

KitchenAid®
HOME APPLIANCES

Part No. 3184873 Rev. B
© 1994 KitchenAid.
® Registered Trademark of KitchenAid.

Prepared by KitchenAid, St. Joseph, Michigan 49085



Printed on recycled paper.
10% post consumer waste/
50% recovered materials
Printed in U.S.A.

Free Manuals Download Website

<http://myh66.com>

<http://usermanuals.us>

<http://www.somanuals.com>

<http://www.4manuals.cc>

<http://www.manual-lib.com>

<http://www.404manual.com>

<http://www.luxmanual.com>

<http://aubethermostatmanual.com>

Golf course search by state

<http://golfingnear.com>

Email search by domain

<http://emailbydomain.com>

Auto manuals search

<http://auto.somanuals.com>

TV manuals search

<http://tv.somanuals.com>