

# KitchenAid®

HOME APPLIANCES

# Installation Instructions

Part No. 9751596



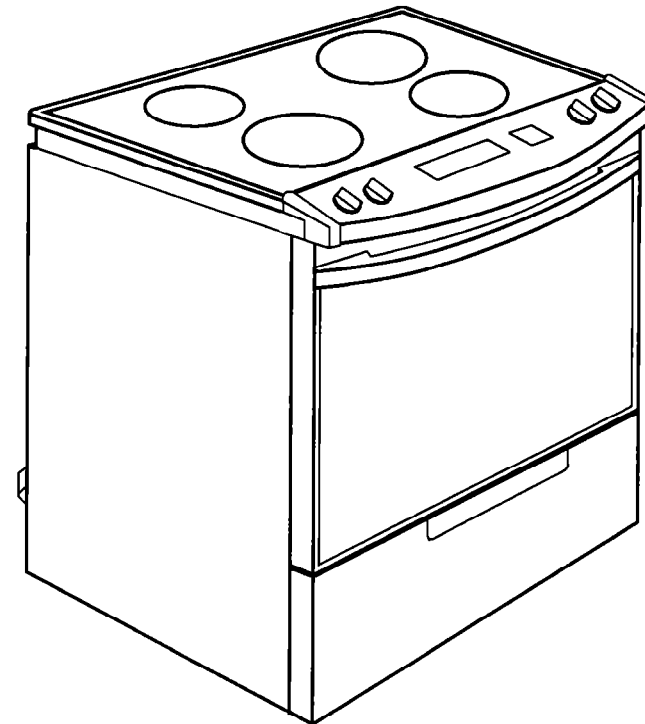
**IMPORTANT:**  
Read and save  
these instructions.

**IMPORTANT:**

**Installer:** Leave Installation Instructions with the homeowner.

**Homeowner:** Keep Installation Instructions and anti-tip bracket template for future reference.

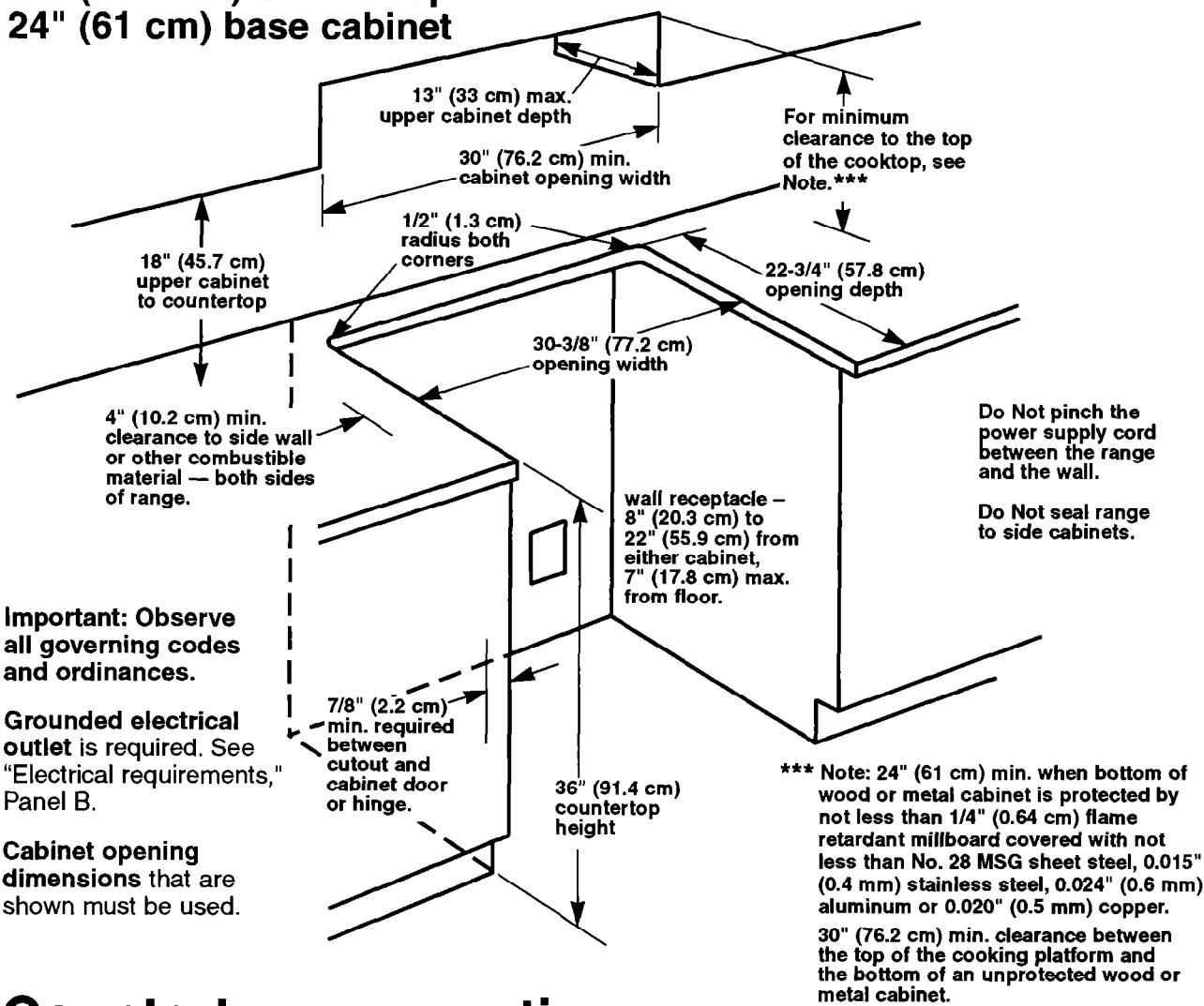
**Save** Installation Instructions for local electrical inspector's use.



**30" (76.2 cm)**  
**Electric Slide-in Range**  
with self-cleaning  
thermal/convection oven

# Cabinet opening dimensions

25" (63.5 cm) countertop  
24" (61 cm) base cabinet



**Important: Observe all governing codes and ordinances.**

**Grounded electrical outlet is required.** See "Electrical requirements," Panel B.

**Cabinet opening dimensions** that are shown must be used.

# Countertop preparation

The cooktop sides of the slide-in range fit over the cutout edge of your countertop.

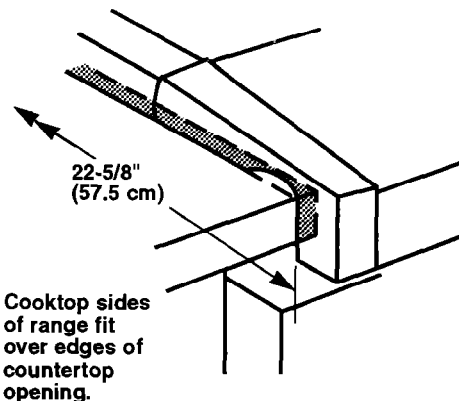
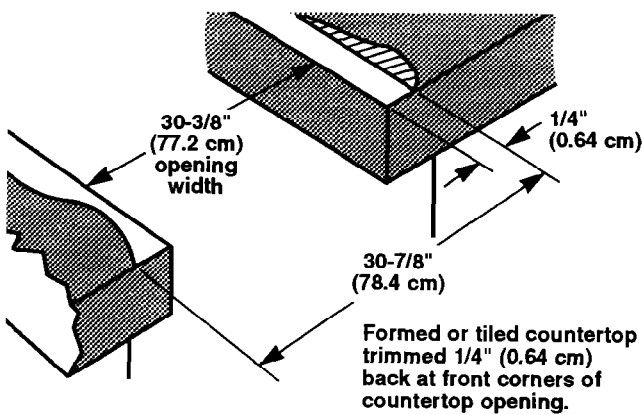
**If you have a square finish (flat) countertop and the opening width is 30-3/8" (77.2 cm),** no countertop preparation is required.

**Formed front-edged countertops:** Must have molded edge shaved flat 1/4" (0.64 cm) from each front corner of opening.

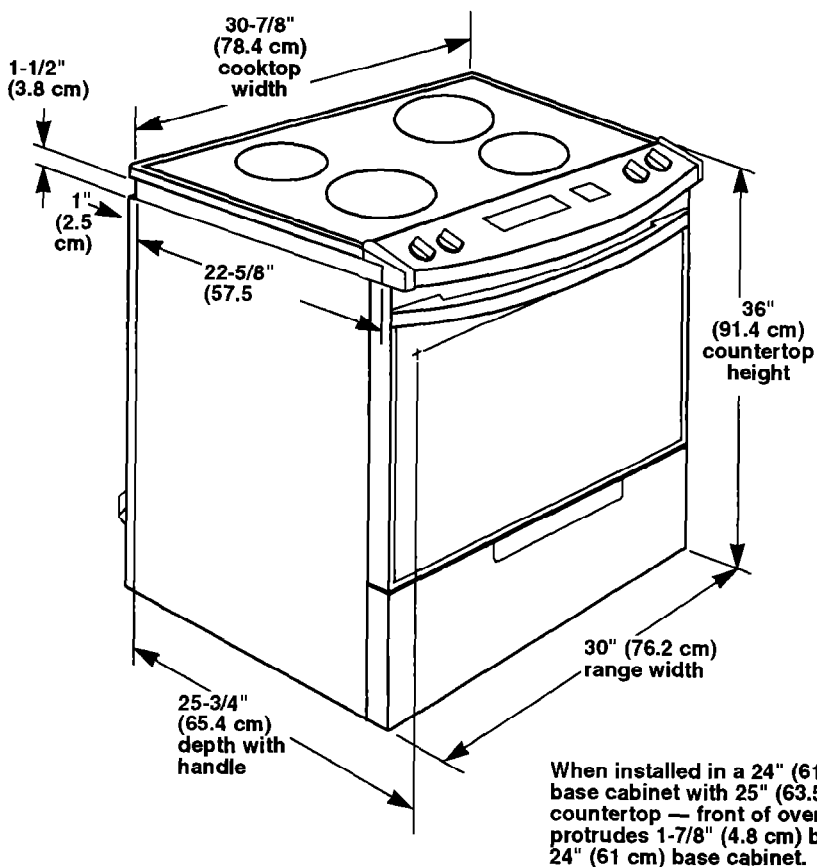
**Tile countertops** may need trim cut back 1/4" (0.64 cm) from each front corner and/or rounded edge flattened.

**If countertop opening width is greater than 30-3/8" (77.2 cm),** adjust the 1/4" (0.64 cm) dimension.

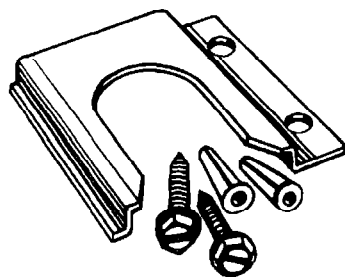
**Countertop must be level.** Place level on countertop, first side to side; then front to back. If countertop is not level, range will not be level. Oven must be level for satisfactory baking conditions.



# Product dimensions



# Anti-tip bracket:



The floor anti-tip bracket **MUST** be installed. To install the anti-tip bracket shipped with the range, see Panels D and E and the anti-tip bracket template.

# Before you start...

**Read electrical and carpentry instructions.**

**Proper installation** is your responsibility. A qualified technician must install this range. Make sure you have everything necessary for correct installation. It is the customer's responsibility to make sure that the countertop has been properly prepared and that the installation clearances specified on the serial/rating plate are met. The serial/rating plate is located on the frame behind the drawer.

**Check location** where range will be installed. The range should be located for convenient use in the kitchen. Recessed installations must provide complete enclosure of the sides and rear of range.

**ALL OPENINGS IN THE WALL OR FLOOR WHERE RANGE IS TO BE INSTALLED MUST BE SEALED.**

**Cutout shown** is for a 25-inch (63.5 cm) countertop with a 24-inch (61 cm) base cabinet and no backsplash. If countertop has a backsplash, see "Countertop preparation."

**Cabinet construction:** This appliance is designed for use in a base cabinet with a depth of 24 inches (61 cm). The maximum depth for overhead cabinets is 13 inches (33 cm). For the minimum vertical clearance between the cooking surface and the overhead cabinets, see Note.\*\*\* Overhead cabinets installed at either side of the appliance must be a minimum of 18 inches (45.7 cm) above the cooking surface. The minimum horizontal distance between the overhead cabinets is 30 inches (76.2 cm).

# WARNING

## Personal Injury Hazard

To eliminate the risk of burns or fire, avoid installing cabinet storage above the cooking surface. If cabinets are already installed, reduce the hazard of reaching over a heated cooking surface by installing a range hood. The range hood should extend a minimum of 5 inches out from the bottom front of the cabinets.

Reaching over a heated cooking surface could result in a serious burn or other personal injury.

## Electrical Shock Hazard

It is the customer's responsibility:

- To contact a qualified electrical installer.
- To assure that the electrical installation is adequate and in conformance with National Electrical Code, ANSI/NFPA 70 — latest edition\*, or CSA Standard C22.1, Canadian Electrical Code, Part 1 — latest edition\*\*, and all local codes and ordinances.

Failure to do so could result in fire, electrical shock or other personal injury.

## Mobile home installation

The installation of this range must conform to the Manufactured Home Construction and Safety Standards, Title 24 CFR, Part 3280 (formerly the Federal Standard for Mobile Home Construction and Safety, Title 24, HUD, Part 280); or when such standard is not applicable, the Standard for Manufactured Homes Installations (Manufactured Home Sites, Communities and Setups), ANSI A225.1/NFPA 501A, or with local codes\*. In Canada, the installation of this range must conform with the current standards CAN/CSA - Z240 — latest edition\*\* or with local codes.

In Canada, the installation of this range must conform with the current standards CAN/CSA-Z240 — latest edition\*\*\*, or with local codes.

When this range is installed in a mobile home, it must be secured to the floor during transit. Any method of securing the range is adequate as long as it conforms to the standards listed above.

Four-wire power supply cable must be used in a mobile home installation. The appliance wiring will need to be revised. See four-wire electrical connection, Panels C and D.

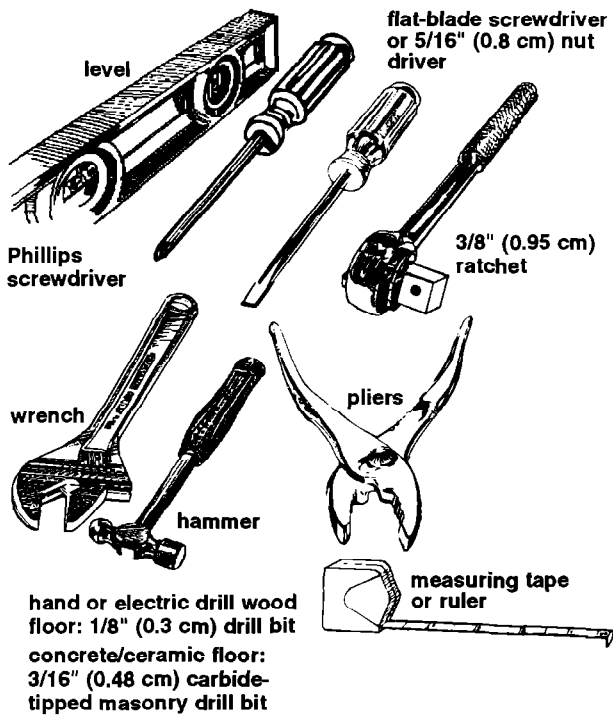
**Note:** The metal chassis of the range **MUST** be earth-grounded in order for the control panel to work. If the metal chassis of the range is not earth-grounded, NO keypads will operate. Check with a qualified electrician if you are in doubt as to whether the metal chassis of range is earth-grounded.

Copies of the standards listed may be obtained from:

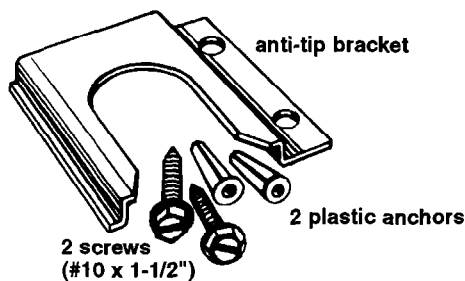
\* National Fire Protection Association  
Batterymarch Park  
Quincy, Massachusetts 02269

\*\* Canadian Standard Association  
178 Rexdale Boulevard  
Rexdale (Toronto), Ontario M9W 1R3

## Tools needed for installation:



## Parts supplied for installation:



(Bracket must be securely mounted to sub-floor. Thickness of flooring may require longer screws to anchor the bracket to sub-floor.)

## Electrical requirements

Save Installation Instructions for the local electrical inspector's use. Power supply cord is not provided and is available through your local electrical supply houses.

### WARNING

#### Electrical Shock Hazard

- Electrical ground is required on this appliance.
- Use only a new power supply cord kit rated at 250 volts, 40 amperes and investigated for use with ranges. Do Not reuse an old power supply cord.
- Do Not modify the power supply cord plug. If it does not fit the outlet, have a proper outlet installed by a qualified electrician.
- Do Not use an extension cord with this appliance.
- Do Not ground to a gas pipe.
- Do Not have a fuse in the neutral or grounding circuit. A fuse in the neutral or grounding circuit could result in an electrical shock.
- Check with a qualified electrician if you are in doubt as to whether the appliance is properly grounded.

Failure to follow these instructions could result in serious injury or death.

If codes permit and a separate grounding wire is used, it is recommended that a qualified electrician determine that the grounding path is adequate.

A three-wire or four-wire, single-phase, 120/240-volt, 60-Hz, AC-only, electrical supply (or three-wire or four-wire 120/208-volt if specified on the serial/rating plate) is required on a separate 40-ampere circuit, fused on both sides of the line. A time-delay fuse or circuit breaker is recommended.

**THE RANGE MUST BE CONNECTED WITH COPPER WIRE ONLY.**

Wire sizes (COPPER WIRE ONLY) and connections must conform with the rating of the appliance (40 amperes).

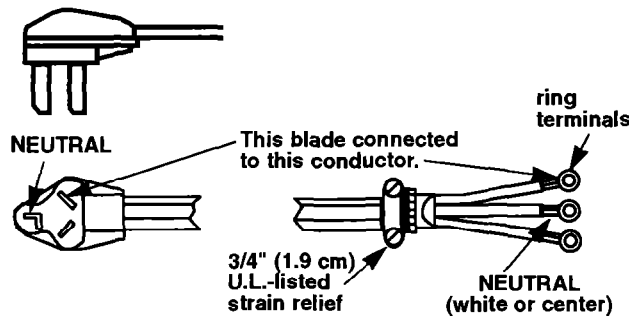
A wiring diagram is located on back of range.

### Panel B

## Power supply cord

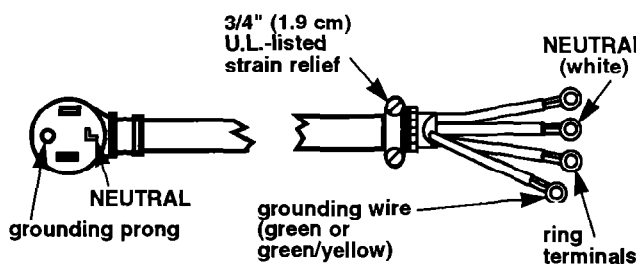
### Use a new 40-amp power supply cord.

Local codes may permit the use of a U.L.-listed, 250-volt, 40-ampere range power supply cord (pigtail). Power supply cord should be Type SRD or SRDT and be at least four feet long. The wires that connect to the range must end with ring terminals. A 3/4" (1.9 cm), U.L.-listed strain relief must be installed where the power supply cord connects to the range. (See Figures 1 and 2.)



Three-wire power supply cord  
NEMA 10-50P

Figure 1



Four-wire power supply cord  
(Mobile home or other four-wire installations)  
NEMA 10-50R

Figure 2

The power supply cord must have three No.-10 copper wires to match a three-wire receptacle of NEMA Type 10-50R. (See Figure 3.)

For mobile home or other four-wire installations: This appliance is manufactured with ground connected to cabinet. **The ground must be revised** so the green grounding wire of the four-wire power cord is connected to the cabinet. See four-wire electrical connection section, Panels C and D.

When a four-wire receptacle of NEMA Type 14-50R is used (See Figure 4.), a matching U.L.-listed, four-wire, 250-volt, 40-ampere, range power supply cord (pigtail) must be used. This cord contains four copper conductors with ring terminals on the appliance end, terminating in a NEMA Type 14-50P plug on the supply end. The fourth (grounding) conductor must be identified by a green or green/yellow cover and the neutral conductor by a white cover. Cord should be Type SRD or SRDT with a U.L.-listed strain relief and be at least four feet long.

The **MINIMUM** conductor sizes for the copper 4-wire power supply cord are:

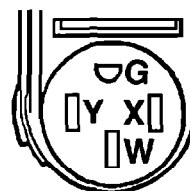
- 40-ampere circuit
- 2, No.-8 conductors
- 1, No.-10 white neutral
- 1, No.-8 green grounding

For use where local codes permit use of flexible power supply cord.



three-wire wall receptacle  
(10-50R)

Figure 3



four-wire wall receptacle  
(14-50R)

Figure 4

## Direct wire

The range can be connected directly to fused disconnect or circuit breaker box through flexible, armored or non-metallic sheathed, copper cable (with grounding wire). Do Not use two-wire with bare grounding wire. All current-carrying wires must be insulated.

A U.L.-listed conduit connector must be provided at each end of the power supply cord (at the appliance and at the junction box). **USE ONLY 10-GAUGE SOLID COPPER WIRE. DO NOT USE ALUMINUM.** Allow two or three feet of slack in the line so the range can be moved if servicing is ever necessary.

## Electrical connections

**NOTE:** The metal chassis of the range **MUST** be earth-grounded in order for the control panel to work. If the metal chassis of the range is not earth-grounded, NO keypads will operate. Check with a qualified electrician if you are in doubt as to whether the metal chassis of range is earth-grounded.

### Three-wire connection...

Where local codes permit connecting the frame-grounding conductor to the neutral (white) junction box wire:

This appliance is manufactured with the neutral terminal connected to the cabinet. If local codes **Do Not** permit connecting cabinet-grounding conductor to neutral wire, use "Four-wire connection" instructions.



### WARNING

#### Electrical Shock/Fire Hazard

Check that wiring you are using matches colors shown in illustrations and specified in instruction steps. If wiring does **Not** match, it is your responsibility to have a qualified electrician install correct wiring. Failure to follow these instructions could result in fire, electrical shock or death.

## POWER SUPPLY CORD

### 1. Turn power supply off.

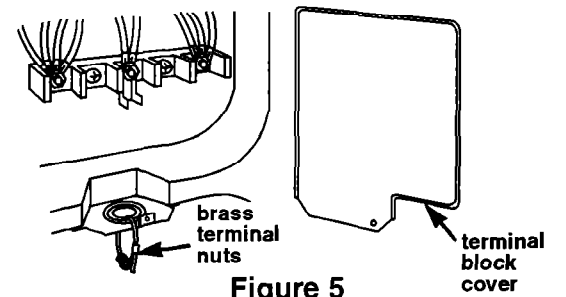


Figure 5

2. Remove the terminal block cover located on back of range. Remove the 3/8" (0.95 cm) brass terminal nuts attached to the knockout.

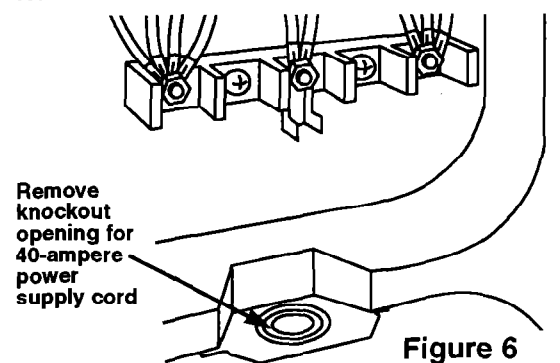


Figure 6

3. Remove the knockout for the 40-ampere power supply cord.

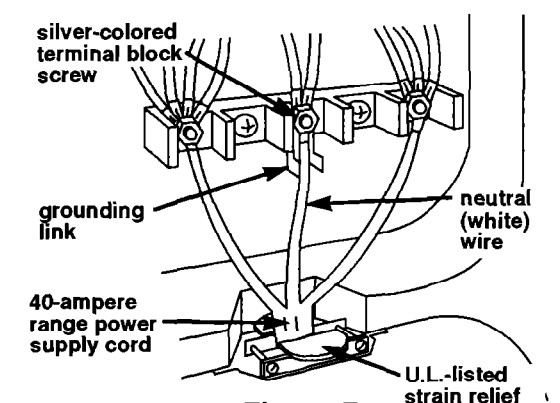


Figure 7

4. Attach a 3/4" (1.9 cm) U.L.-listed strain relief (U.L. marking on strain relief) to the opening. Tighten strain relief firmly to cabinet. Place power supply cord through strain relief.

5. Using the 3/8" (0.95 cm) brass nuts, attach the neutral (white) wire of power supply cord to the center, silver-colored screw of the terminal block.

Connect the other two wires to the outer terminal block screws. (See Figure 7.)

Do Not loosen the factory-installed nuts on the terminal block.

**Be sure the wiring nuts are installed tight.**

6. Tighten strain relief screws.

7. Reattach terminal block cover.

## DIRECT WIRE

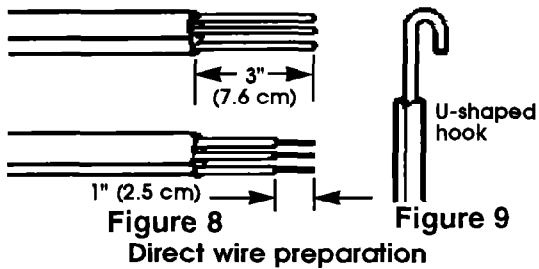
1. Turn power supply off.

### WARNING

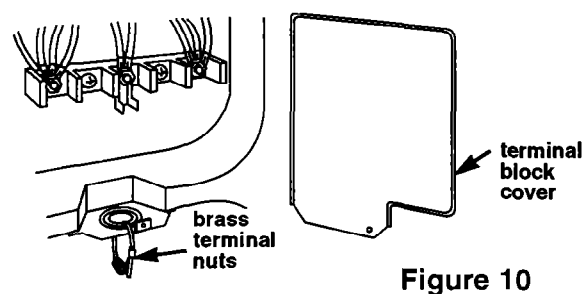
#### Electrical Shock Hazard

Do Not use two wire with a bare grounding wire. All current-carrying wires must be insulated.

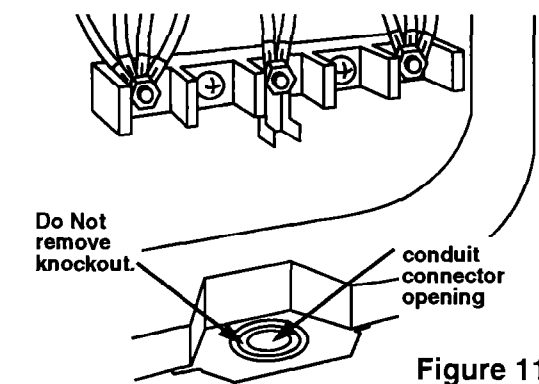
Failure to follow these instructions could result in fire, electrical shock or death.



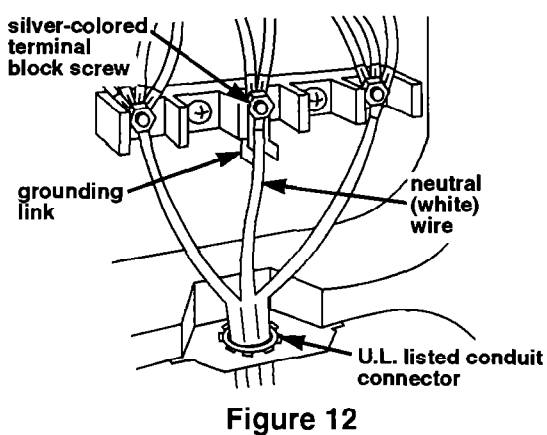
2. Strip outer covering back 3 inches (7.6 cm) from end exposing the wires. (See Figure 8.) Strip the insulation back 1 inch (2.5 cm) from the end of each wire. Form the bare wire into a "U" shaped hook. (See Figure 9.)



3. Remove the terminal block cover located on back of range. Remove the 3/8" (0.95 cm) brass terminal nuts attached to the knockout.



4. Attach a U.L.-listed conduit connector to the opening. **Do Not remove the knockout.** Place power supply cable through conduit connector, allowing enough slack to easily attach the wiring to the terminal block. (See Figures 11 and 12.)



5. Using the 3/8" (0.95 cm) brass nuts, attach the neutral (white) of power supply cable to the silver-colored center screw of the terminal block. Place the hook-shaped end of the wire over the terminal block screw with open side of the hook facing to the right. Squeeze hook end of wire together to form a loop. Connect the other two wires to the outer terminal block screws. Attach wires using the same method as the neutral wire. (See Figure 12.)

Do Not loosen the factory-installed nuts on the terminal block.

**Center wire MUST be connected to center screw.**

6. Tighten conduit connector, locking ring and clamping screws.

7. Reattach terminal block cover.

## Four-wire connection...

Mobile home or other four-wire installations:

### WARNING

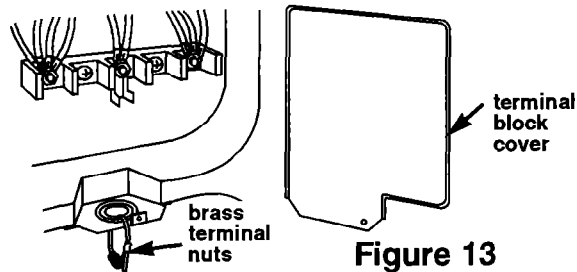
#### Electrical Shock/Fire Hazard

Check that wiring you are using matches colors shown in illustrations and specified in instruction steps. If wiring does Not match, it is your responsibility to have a qualified electrician install the correct wiring.

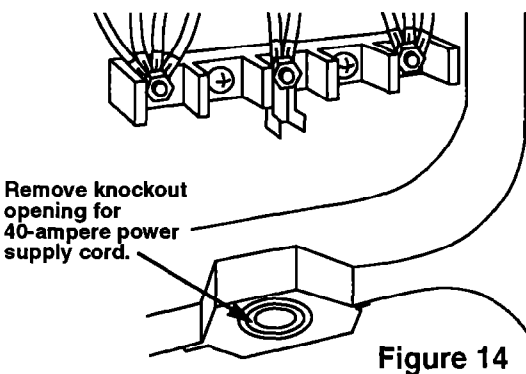
Failure to follow these instructions could result in fire, electrical shock or death.

## POWER SUPPLY CORD

1. Turn power supply off.

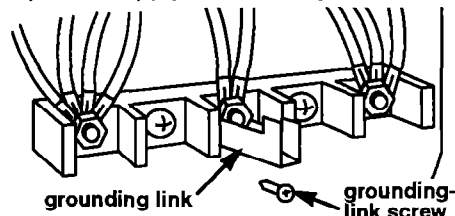


2. Remove the terminal block cover located on back of range. Remove the 3/8" (0.95 cm) brass terminal nuts attached to the knockout.

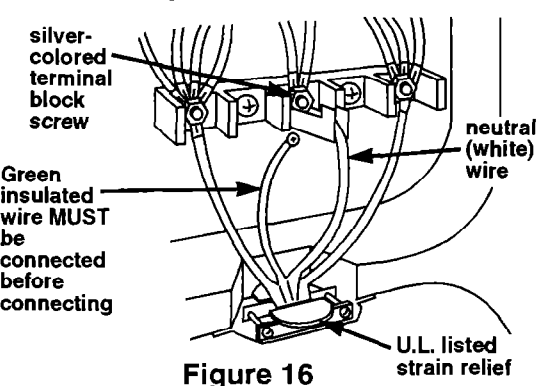


3. Remove the knockout for the 40-ampere power supply cord.

4. Attach a 3/4" (1.9 cm) U.L.-listed strain relief (U.L. marking on strain relief) to the opening. Tighten strain relief firmly to cabinet. Place power supply cord through strain relief.



5. Remove the grounding-link screw from the range frame. Save the grounding-link screw. Bend up the grounding link so that it does not contact the range.



6. Connect the green grounding wire to the range using the grounding-link screw removed in Step 5. The green grounding wire **must** be attached first and **must Not** contact any other terminal.

7. Using the 3/8" (0.95 cm) brass nuts, attach the neutral (white) wire of power supply cord to the center, silver-colored screw of the terminal block.

Connect the other two wires to the outer terminal block screws. (See Figure 16.)

Do Not loosen the factory-installed nuts on the terminal block.

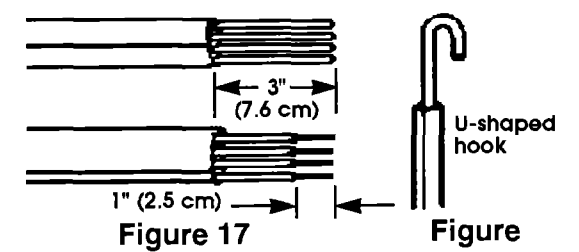
**Be sure the wiring nuts are installed tight.**

8. Tighten strain relief screws.

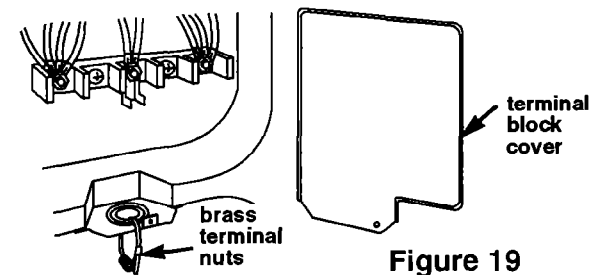
9. Reattach terminal block cover.

## DIRECT WIRE

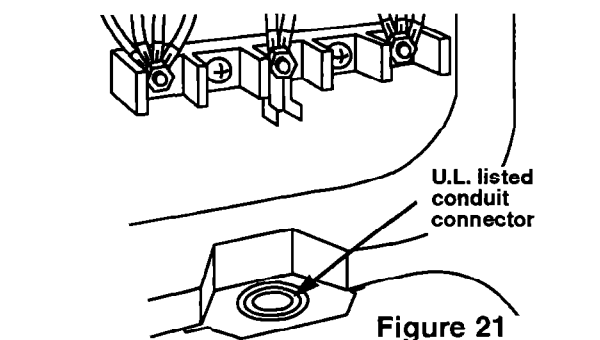
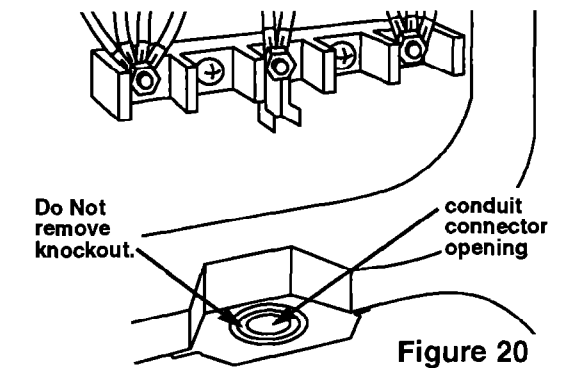
1. Turn power supply off.



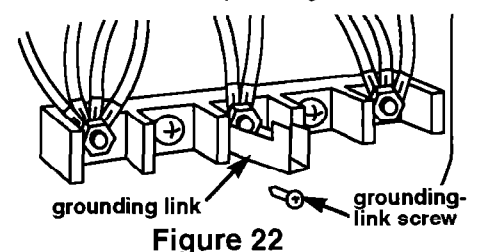
2. Strip outer covering back 3 inches (7.6 cm) from end exposing the wires. (See Figure 17.) Strip the insulation back 1 inch (2.5 cm) from the end of each wire. Form the bare wire into a "U" shaped hook. (See Figure 18.)



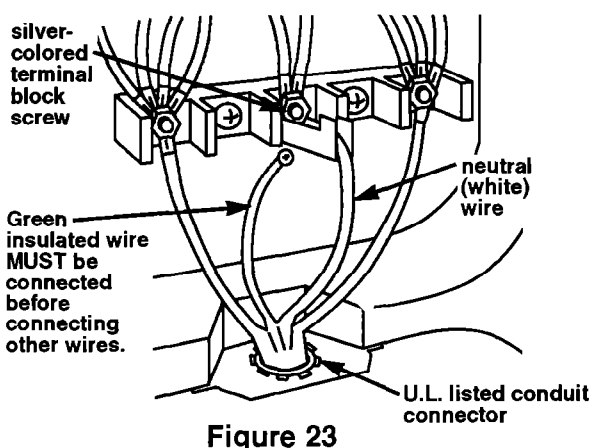
3. Remove the terminal block cover located on back of range. Remove the 3/8" (0.95 cm) brass terminal nuts attached to the knockout.



4. Attach a U.L.-listed conduit connector to the opening. **Do Not remove the knockout.** Place power supply cable through conduit connector, allowing enough slack to easily attach the wiring to the terminal block. (See Figures 20 and 21.)



5. Remove the grounding-link screw from the range frame. Save the grounding-link screw. Bend up the grounding link so that it does not contact the range.



6. Connect the green grounding wire to the range using the grounding-link screw removed in Step 5. The green grounding wire **must** be attached first and **must Not** contact any other terminal.

**7.** Using the 3/8" (0.95 cm) brass nuts, attach the neutral (white) of power supply cable to the silver-colored center screw of the terminal block. Place the hook-shaped end of the wire over the terminal block screw with open side of the hook facing to the right. Squeeze hook end of wire together to form a loop.

Connect the other two wires to the outer terminal block screws. Attach wires using the same method as the neutral wire (See Figure 23.)

Do Not loosen the factory-installed nuts on the terminal block.

**Center wire MUST be connected to center screw.**

**8.** Tighten conduit connector, locking ring and clamping screws.

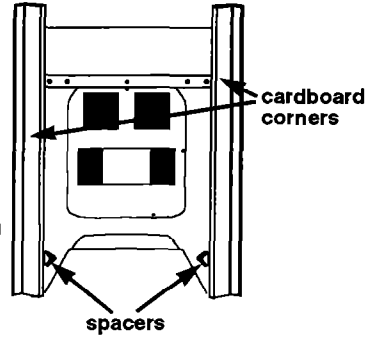
**9.** Reattach terminal block cover.

## Now start...

With range in kitchen.

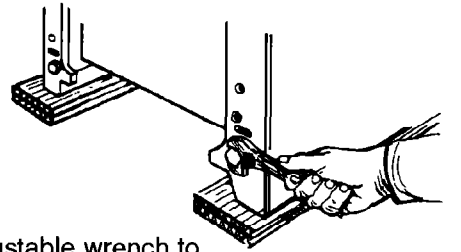
**1.** Remove shipping materials, tape and protective film from range. Keep cardboard bottom and shipping base under range. Remove oven racks and parts package from inside oven.

**2.** Take 4 cardboard corners from the carton. Stack one cardboard corner on top of another. Repeat with the other two corners. Place corners lengthwise on the floor in back of range so corners will support outer side edges of range as shown.



**5.**

Use an adjustable wrench to loosen the leveling legs 1-1/2 turns.



**6.**

Place cardboard or hardboard in front of range. Stand range back up onto cardboard or hardboard.



### WARNING

#### Personal Injury Hazard

Because of the weight and size of the range, two or more people are needed to move and safely install it.

Failure to do so could result in personal injury.

**3.**

Firmly grasp the range and gently lay it on its back on the cardboard corners.

**4.**

Pull cardboard bottom and shipping base firmly to remove.



### WARNING

#### Personal Injury Hazard



- To reduce the risk of tipping of the appliance, the appliance must be secured by a properly installed floor-mounted anti-tip bracket supplied with the range.

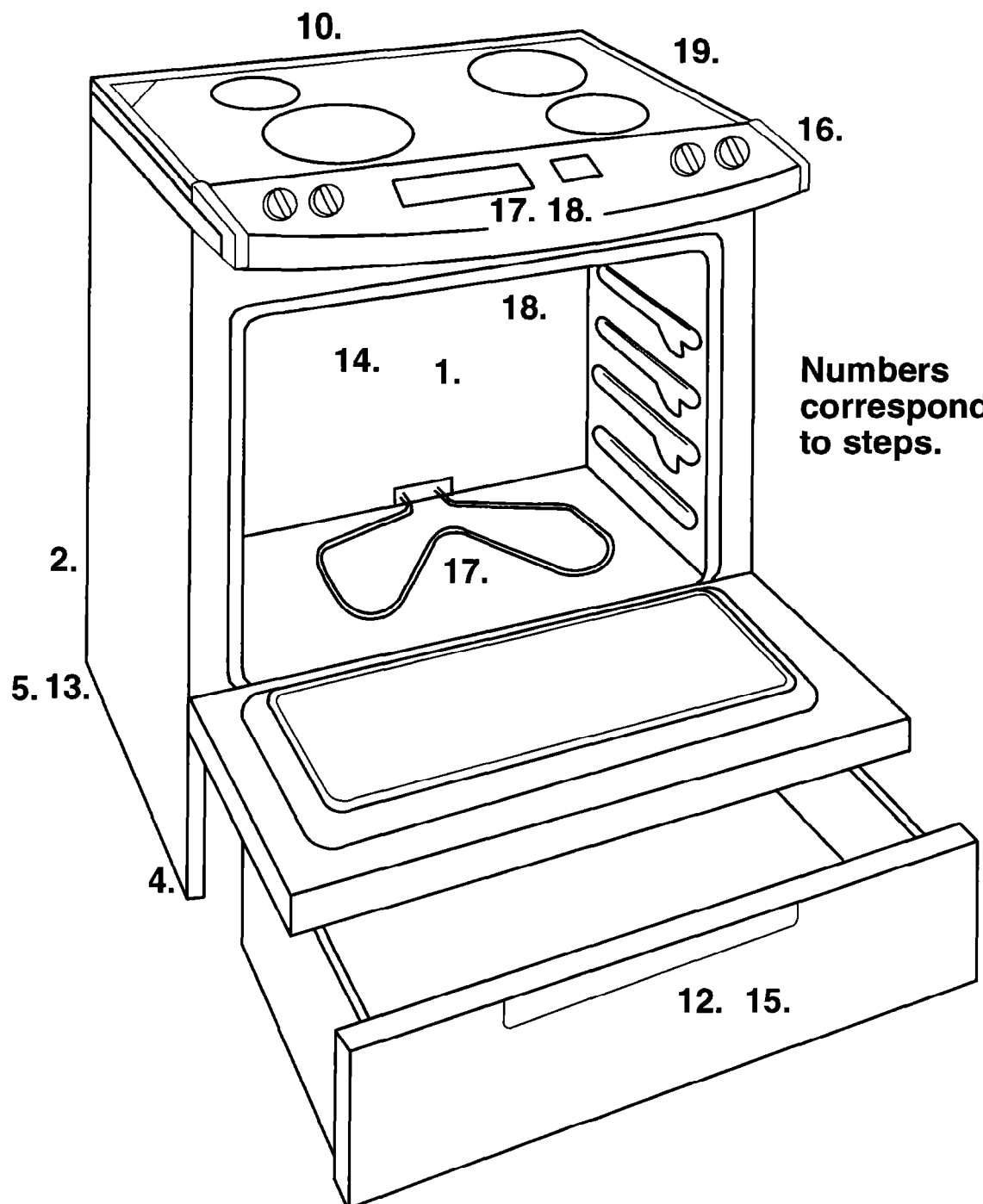
- Save these Installation Instructions. If range is moved to a new location, the anti-tip bracket must be removed and reinstalled in the new location.

#### Electrical Shock Hazard

- Take special care when drilling holes into the floor. Electrical wires or plumbing may be located beneath floor.

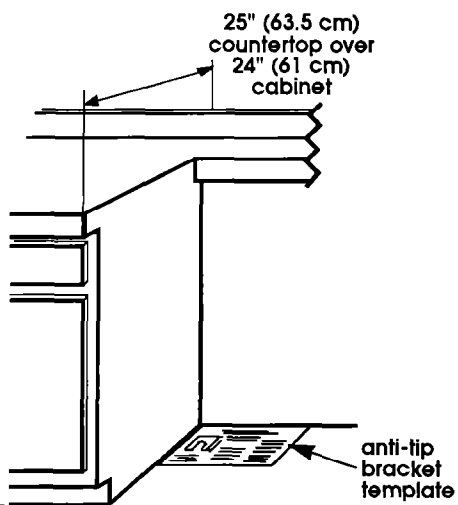
- Locate the electrical circuits that could be affected by the installation of this bracket and turn off power to these circuits.

Failure to follow these instructions may result in electrical shock or other personal injury.

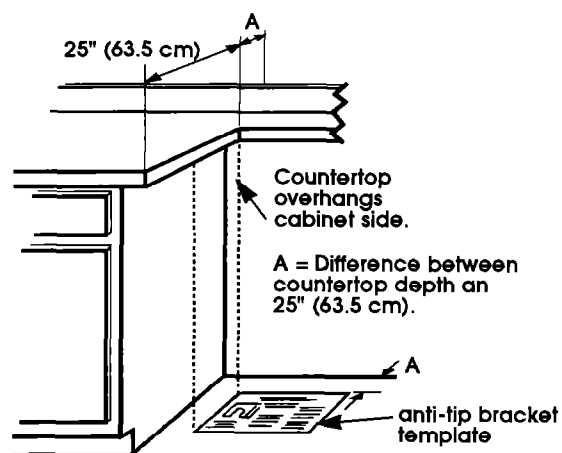


Numbers correspond to steps.





- 7.** Place the anti-tip bracket template for **slide-in ranges** on the floor in the cabinet opening so that the left edge is against cabinets and the top edge is against the rear wall, molding or cabinet. If countertop opening is deeper than 25 inches (63.5 cm), measure and mark a distance 25 inches (63.5 cm) in from front of **countertop opening** and align template with mark (or subtract 25 inches (63.5 cm) from countertop depth and add the difference to the 2-1/4-inch (5.7 cm) dimension).



If countertop is not flush to the side of cabinet opening, align the left side of the template to allow for the countertop overhang. Tape the slide-in range anti-tip bracket template in place.

## CAUTION

### Property Damage

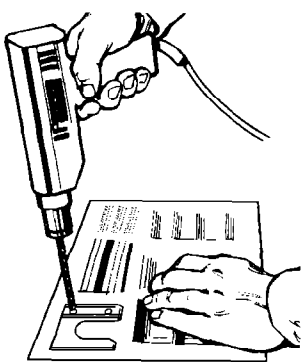
- Contact a qualified floor covering installer for the best procedure of drilling mounting holes through your type floor covering.
- Before moving, slide range onto cardboard or hardboard.

Failure to follow these instructions may result in damage to floor covering.

**8.**

To mount anti-tip bracket to wood floor, use the anti-tip bracket template to mark where to drill mounting holes. Use a drill with a 1/8" (0.3 cm) drill bit to drill the two holes. Remove template from floor.

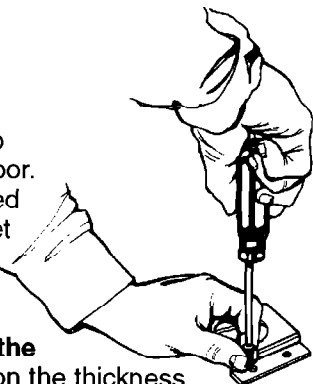
To mount anti-tip bracket to concrete or ceramic floor, use the anti-tip bracket template to mark where to drill mounting holes. Use a drill with a 3/16" (0.48 cm) masonry drill bit to drill the two holes. Remove template from floor. Tap plastic anchors into mounting holes in floor with hammer.



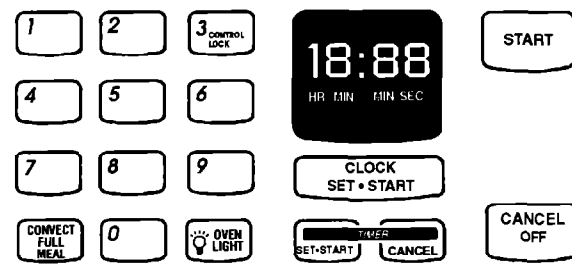
**9.**

Line up holes in anti-tip bracket with holes in floor. Use the screws provided to fasten anti-tip bracket to floor.

**NOTE: Anti-tip bracket must be mounted securely to the sub floor.** Depending on the thickness of your flooring, longer screws may be necessary to anchor the bracket to the sub floor. Longer screws are available from your local hardware store.

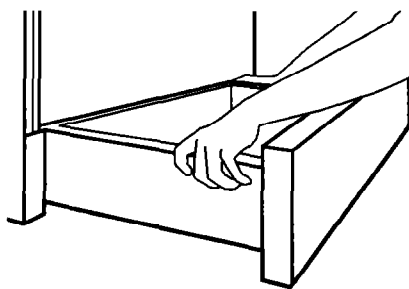


Control panels may vary.

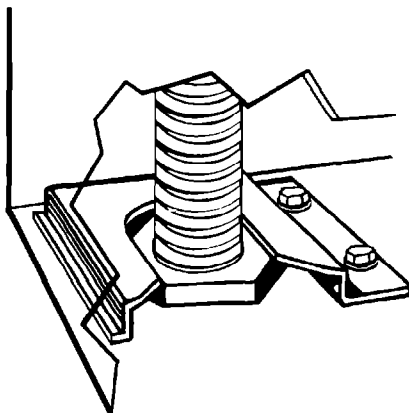


- 10.** Move range close to cabinet opening. Make electrical connection. See "Electrical requirements" and "Electrical connection," Panels B - D, for details. "8888" should appear in the clock display. Refer to Use and Care Guide for information on electronic controls.

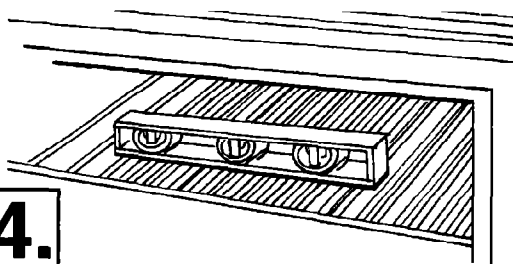
- 11.** Remove cardboard or hardboard from under range. Carefully move range into final position.



- 12.** Press on front of storage drawer and release to open. Pull open to first stop position. Lift front of drawer to clear white wheels in drawer guides. Remove drawer and set it aside on a protected surface.



- 13.** Look under range (a flashlight may be needed) to check that left rear leveling leg is engaged in the anti-tip bracket. If leveling leg is not properly engaged, remove and reposition the anti-tip bracket to insure that the leveling leg fits properly in the anti-tip bracket.

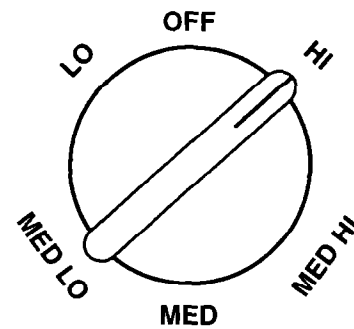


- 14.** Place rack in oven. Place level on rack, first side to side; then front to back. If the range is not level, pull range forward until the rear leveling leg is removed from the anti-tip bracket. Adjust the leveling legs up or down. Then slide range back into position. Check that leveling leg is engaged in anti-tip bracket.

NOTE: Oven must be level for satisfactory baking conditions.

**15.**

Insert storage drawer into slide rails on sides of drawer opening. Lift front of drawer slightly and push firmly to close drawer.



- 16.** Push in and turn each surface unit control knob to "HI" position. Check the operation of the cooktop elements and indicator lights.

- 17.** Check the operation of the oven element. Press the "BAKE" pad. "350°F" will appear in the temperature display. Press the "Start/Enter" pad. "Lo" will appear in the display; then "170°F" (when oven reaches 170°F).

The bottom element should glow red and the indicator light should be on. The upper element should become hot but not glow red. As the oven temperature rises, the temperature in the display will increase in 5°F increments until the oven reaches the set temperature. Press "Cancel/OFF" pad.

- 18.** Check the operation of the broil element. Close the oven door. Press the "BROIL" pad. "500°F" will appear in the temperature display. Press the "Start/Enter" pad. Look through the oven window. The top element should glow red. Press the "Cancel/OFF" pad.

To get the most efficient use from your new electric range, read your KitchenAid Use and Care Guide. Keep Installation Instructions and Guide close to the electric range for easy reference.

## If the range does not operate...

- Check that the circuit breaker is not tripped or the house fuse blown.
- Check that power supply cord is plugged into wall receptacle.

**NOTE:**

**Refer to Use and Care Guide for operating instructions and cleaning instructions.**



### **WARNING**

**Personal Injury/Product Damage Hazard**  
**Do Not step, lean or sit on the range, or the drawer or door of the range.**  
**Failure to follow this instruction could result in personal injury and/or product damage.**

## For cleaning and maintenance...

If removing the range is necessary for cleaning or maintenance, disconnect the electric supply. If electrical supply is inaccessible, lift the range slightly at the front and pull the range away from the wall. Pull the range out only as far as necessary to disconnect the electric supply line.

Remove the range to complete cleaning or maintenance.

Move range back into operating position. Remove drawer. Level the range. Reconnect the electrical supply. Make sure that left rear leveling leg is engaged in the anti-tip bracket.

## Accessories

- Horizontal Backguard Kit  
Part No. 9752007 – Brushed aluminum
- Vertical Backguard Kit  
Part No. 9752009 – White  
9752032 – Almond  
9752033 – Black

## If you need assistance...

The KitchenAid Consumer Assistance Center will answer any questions about operating or maintaining your range not covered in the Installation Instructions. The KitchenAid Consumer Assistance Center is open 24 hours a day, 7 days a week. Just dial 1-800-422-1230 – the call is free within the continental United States.

When you call, you will need the range model number and serial number. Both numbers can be found on the serial/rating plate located on the oven frame behind the door.

## If you need service...

In the event that your KitchenAid appliance should need service, call the dealer from whom you purchased the appliance or a KitchenAid-authorized service company. A KitchenAid-authorized service company is listed in the Yellow Pages of your telephone directory under "Appliances – Household – Major – Service & Repair." You can also obtain the service company's name and number by dialing, free within the continental United States, the KitchenAid Consumer Assistance Center telephone number, 1-800-422-1230. A special operator will tell you the name of your nearest KitchenAid-authorized service company.

Maintain the quality built into your KitchenAid appliance — call a KitchenAid-authorized service company.

**KitchenAid**<sup>®</sup>  
HOME APPLIANCES

## Free Manuals Download Website

<http://myh66.com>

<http://usermanuals.us>

<http://www.somanuals.com>

<http://www.4manuals.cc>

<http://www.manual-lib.com>

<http://www.404manual.com>

<http://www.luxmanual.com>

<http://aubethermostatmanual.com>

Golf course search by state

<http://golfingnear.com>

Email search by domain

<http://emailbydomain.com>

Auto manuals search

<http://auto.somanuals.com>

TV manuals search

<http://tv.somanuals.com>