

# KitchenAid®

6 SLICE/  
TRANCHE/  
REBANADA

## COUNTERTOP OVEN FOUR DE COMPTOIR HORNO DE LA MESADA DE COCINA

INSTRUCTIONS/INSTRUCTIONS/INSTRUCCIONES



KCO22



KCO223

W10321639B



FOR THE WAY IT'S MADE.®

U.S.A.: 1-800-541-6390  
Canada: 1-800-807-6777

KitchenAid.com  
KitchenAid.ca

Download from [www.Somanuals.com](http://www.Somanuals.com). All Manuals Search And Download.

# TABLE OF CONTENTS

<b>KITCHENAID® COUNTERTOP OVEN SAFETY</b> .....	3	Food Cooking Tips.....	14
<b>ELECTRICAL REQUIREMENTS</b> .....	5	Choosing Bakeware for Countertop Oven Use:.....	15
<b>KITCHENAID® COUNTERTOP OVEN FEATURES</b> .....	6	<b>KITCHENAID® COUNTERTOP OVEN CARE</b> ...	15
<b>KITCHENAID® COUNTERTOP OVEN CONTROLS</b> .....	8	Cleaning Your Countertop Oven.....	15
Countertop Oven Features.....	9	<b>TROUBLESHOOTING</b> .....	16
<b>PREPARING THE KITCHENAID® COUNTERTOP OVEN FOR USE</b> .....	10	<b>PROOF OF PURCHASE AND PRODUCT REGISTRATION</b> .....	16
<b>KITCHENAID® COUNTERTOP OVEN USE</b> .....	11	<b>WARRANTY</b> .....	17
Understanding Positions of the oven rack.....	11	Hassle-Free Replacement Warranty – 50 United States and District of Columbia .....	18
Baking (and Reheating) with the Countertop Oven .....	12	Hassle-Free Replacement Warranty – Canada .....	18
Broiling (and Top Browning) with the Countertop Oven.....	12	How to Arrange for Warranty Service in Puerto Rico.....	18
Toasting with the Countertop Oven.....	13	How to Arrange for Service after the Warranty Expires – All Locations.....	18
Warming (Plus Keeping Warm and Heating) with the Countertop Oven.....	13	How to Arrange for Service Outside These Locations .....	19
Countertop Oven Use Tips .....	14	How to Order Accessories and Replacement Parts .....	19

# TABLE DES MATIÈRES

<b>CONSIGNES DE SÉCURITÉ DU FOUR DE COMPTOIR</b> .....	21	Conseils de cuisson .....	32
<b>SPÉCIFICATIONS ÉLECTRIQUES</b> .....	23	Choix des ustensiles de cuisson au four pour utilisation dans le four de comptoir : .....	33
<b>CARACTÉRISTIQUES DU FOUR DE COMPTOIR KITCHENAID®</b> .....	24	<b>ENTRETIEN DU FOUR DE COMPTOIR KITCHENAID®</b> .....	33
<b>COMMANDES DU FOUR DE COMPTOIR KITCHENAID®</b> .....	26	Nettoyage du four de comptoir.....	33
Caractéristiques du four de comptoir .....	27	<b>DÉPANNAGE</b> .....	34
<b>PRÉPARATION DU FOUR DE COMPTOIR KITCHENAID® POUR UTILISATION</b> .....	28	<b>PREUVE D'ACHAT ET ENREGISTREMENT DU PRODUIT</b> .....	34
<b>UTILISATION DU FOUR DE COMPTOIR KITCHENAID®</b> .....	29	<b>GARANTIE</b> .....	35
Clarification des positions de la grille du four de comptoir.....	29	Garantie de remplacement sans difficulté - pour les 50 États des États-Unis et le district fédéral de Columbia.....	36
Cuisson au four (et réchauffage) avec le four de comptoir.....	30	Garantie de remplacement sans difficulté - Canada .....	36
Cuisson au gril (et gratinage) avec le four de comptoir .....	30	Dispositions nécessaires pour un service sous garantie à Porto Rico.....	36
Grillage avec le four de comptoir.....	31	Dispositions nécessaires pour une intervention de dépannage après expiration de la garantie - Tous les pays.....	37
Réchauffage (plus maintien au chaud et chauffage) avec le four de comptoir .....	32	Dispositions nécessaires pour un service en dehors de ces pays.....	37
Conseils pour l'utilisation du four de comptoir .....	32	Commander des accessoires et des pièces de rechange.....	37

# ÍNDICE

HORNO PARA MOSTRADOR KITCHENAID® ..38	Consejos para la cocción de alimentos..... 50
REQUISITOS ELÉCTRICOS.....40	Selección de utensilios para hornear para usarse con el horno de mostrador:..... 50
CARACTERÍSTICAS DEL HORNO PARA MOSTRADOR KITCHENAID®.....41	<b>CUIDADO DEL HORNO PARA MOSTRADOR KITCHENAID®.....50</b>
CONTROLES DEL HORNO PARA MOSTRADOR KITCHENAID®.....43	Limpieza del horno para mostrador..... 50
Características del horno para mostrador.....44	<b>SOLUCIÓN DE PROBLEMAS.....51</b>
PREPARACIÓN DEL HORNO PARA MOSTRADOR KITCHENAID® PARA EL USO ..45	<b>COMPROBANTE DE COMPRA Y REGISTRO DEL PRODUCTO .....52</b>
USO DEL HORNO PARA MOSTRADOR KITCHENAID®.....46	<b>GARANTÍA®.....53</b>
Explicación de las posiciones de la rejilla del horno .....46	Garantía de reemplazo sin dificultades – en los 50 estados de Estados Unidos y el Distrito de Columbia ..... 54
Cómo hornear (y recalentar) con el horno para mostrador.....47	Garantía de reemplazo sin dificultades - en Canadá..... 54
Cómo asar (y dorar) con el horno para mostrador.....47	Cómo obtener servicio bajo la garantía en Puerto Rico.....55
Cómo tostar con el horno para mostrador.....48	Cómo obtener servicio después de que expire la garantía - En todas las ubicaciones.55
Cómo calentar (y mantener caliente) con el horno para mostrador .....49	Cómo obtener servicio en otros lugares ..... 55
Consejos para el uso del horno para mostrador.....49	Cómo pedir accesorios y piezas de repuesto 55

## KITCHENAID® COUNTERTOP OVEN SAFETY

**Your safety and the safety of others are very important.**

We have provided many important safety messages in this manual and on your appliance. Always read and obey all safety messages.



This is the safety alert symbol.

This symbol alerts you to potential hazards that can kill or hurt you and others.

All safety messages will follow the safety alert symbol and either the word "DANGER" or "WARNING." These words mean:

**⚠ DANGER**

**You can be killed or seriously injured if you don't immediately follow instructions.**

**⚠ WARNING**

**You can be killed or seriously injured if you don't follow instructions.**

All safety messages will tell you what the potential hazard is, tell you how to reduce the chance of injury, and tell you what can happen if the instructions are not followed.

# IMPORTANT SAFEGUARDS

When using electrical appliances, basic safety precautions should always be followed, including the following:

- Read all instructions.
- Do not touch hot surfaces. Use handles or knobs.
- To protect against electrical shock, do not immerse cord, plugs, or any parts of the oven in water or other liquid.
- Close supervision is necessary when any appliance is used by or near children.
- Unplug from outlet when not in use and before cleaning. Allow to cool before putting on or taking off parts.
- Do not operate any appliance with a damaged cord or plug or after the appliance malfunctions or has been damaged in any manner. Return appliance to the nearest Authorized Service Center for examination, repair or adjustment.
- The use of accessory attachments not recommended by the appliance manufacturer may cause injuries.
- Do not let cord hang over edge of table or counter, or touch hot surfaces.
- Do not place on or near a hot gas or electric burner, or in a heated oven.
- Extreme caution must be used when moving an appliance containing hot oil or other hot liquids.
- Use extreme caution when removing broiler pan tray or disposing of hot grease.
- Oversize foods or metal utensils must not be inserted in a Countertop Oven as they may create a fire or risk of electric shock.
- A fire may occur if Countertop Oven is covered or touching flammable material, including curtains, draperies, walls and the like, when in operation. Do not store any item on top of the appliance when in operation.
- Do not clean with metal scouring pads. Pieces can break off the pad and touch electrical parts, creating a risk of electric shock.
- Extreme caution should be exercised when using containers constructed of materials other than metal or glass.
- Do not store any materials, other than manufacturers recommended accessories, in this oven when not in use.
- Do not place any of the following materials in the oven: paper, cardboard, plastic, or anything similar.
- Do not cover crumb drawer or any part of the oven with metal foil. This will cause overheating of the oven.
- To disconnect, turn oven off by turning the Time control knob to its 0 (off) position, then remove plug from wall outlet.
- Do not use outdoors.
- Do not use appliance for other than intended use.
- This product is designed for household use only.

## SAVE THESE INSTRUCTIONS

# ELECTRICAL REQUIREMENTS

## **⚠ WARNING**



### **Electrical Shock Hazard**

**Plug into a grounded 3 prong outlet.**

**Do not remove ground prong.**

**Do not use an adapter.**

**Do not use an extension cord.**

**Failure to follow these instructions can result in death, fire, or electrical shock.**

Voltage: 120 volts, AC only.

Hertz: 60 Hz

**NOTE:** This countertop oven has a 3-prong grounded plug. To reduce the risk of electrical shock, this plug will fit in an outlet only one way. If the plug does not fit in the outlet, contact a qualified electrician. Do not modify the plug in any way.

Do not use an extension cord. If the power supply cord is too short, have a qualified electrician or technician install an outlet near the appliance.

A short power supply cord (or detachable power supply cord) should be used to reduce the risk resulting from becoming entangled in or tripping over a longer cord.

Longer detachable power supply cords or extension cords are available and may be used if attention is exercised in their use.

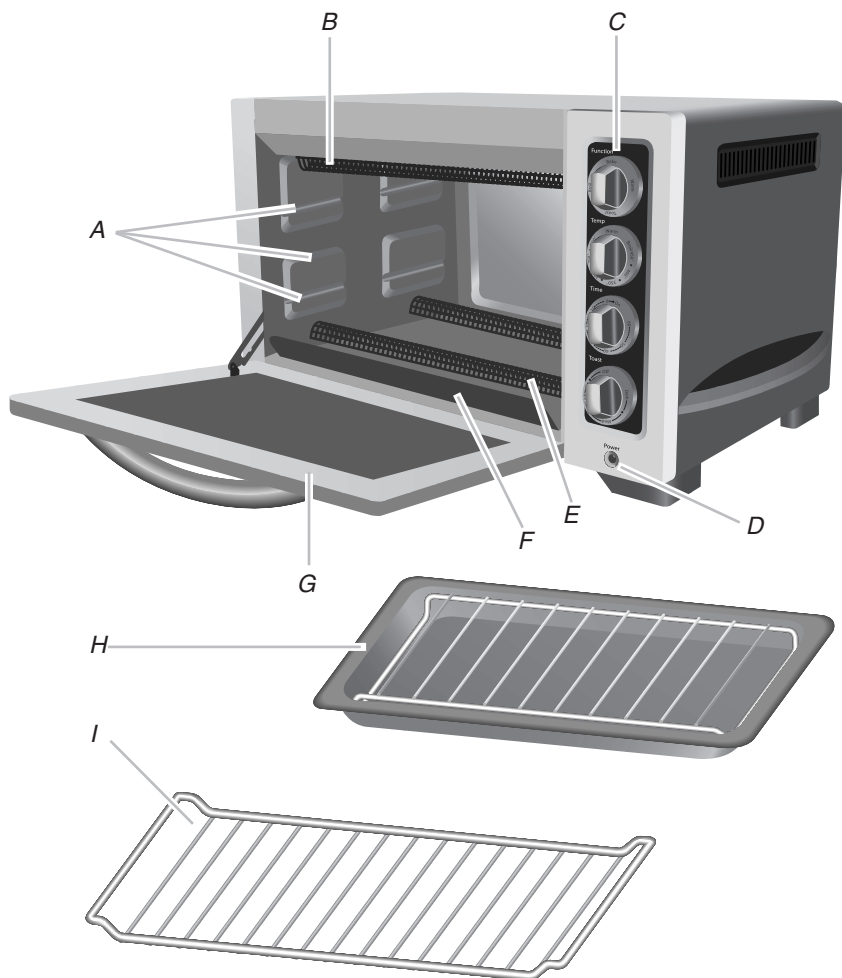
If a longer detachable power supply cord or extension cord is used:

- The marked electrical rating of the cord set or extension cord should be at least as great as the electrical rating of the appliance.
- The cord should be arranged so that it will not drape over the countertop or tabletop where it can be pulled on by children or tripped over unintentionally.

If the appliance is of the grounded type, the extension cord should be a grounding-type 3-wire cord.

# KITCHENAID® COUNTERTOP OVEN FEATURES

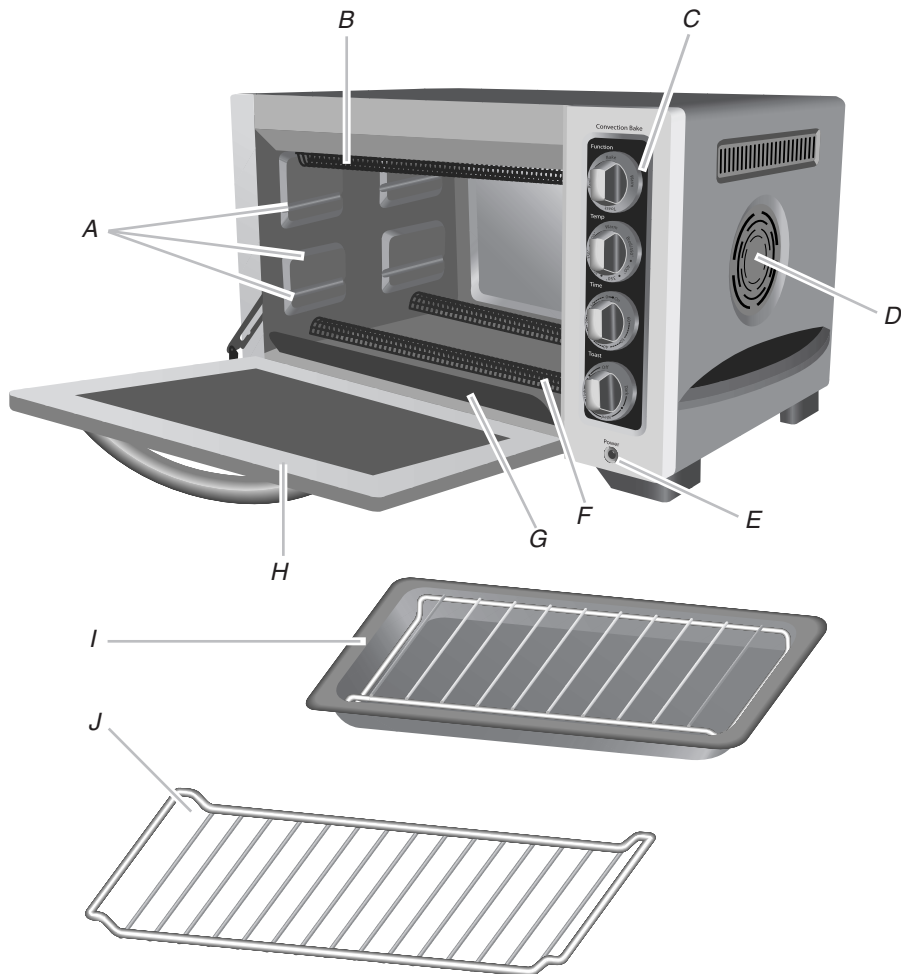
## 12" (30.2 cm) Standard Model KCO222 Features



- A. Rack-positioning slots*
- B. Upper cooking elements*
- C. Countertop oven controls:  
Function, Temp, Time and  
Toast*
- D. Power on indicator light*

- E. Lower cooking elements*
- F. Removable crumb tray*
- G. Countertop oven door*
- H. Broiler pan with grill*
- I. 2 position countertop oven  
rack; up or down (2)*

## 12" (30.2 cm) Convection Bake Model KCO223 Features



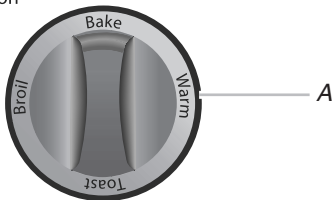
- A. Rack-positioning slots*
- B. Upper cooking elements*
- C. Countertop oven controls:  
Function, Temp, Time and  
Toast*
- D. Convection Bake fan*
- E. Power on indicator light*

- F. Lower cooking elements*
- G. Removable crumb tray*
- H. Countertop oven door*
- I. Broiler pan with grill*
- J. 2 position countertop oven  
rack; up or down (2)*

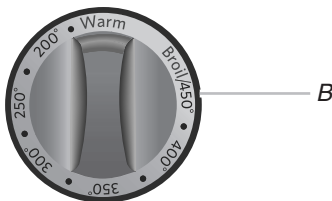
# KITCHENAID® COUNTERTOP OVEN CONTROLS

This manual covers different models. The appearances of the items shown here may not match those of your model.

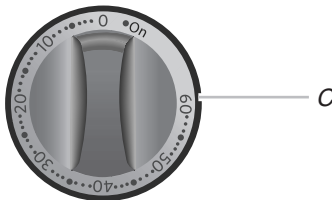
Function



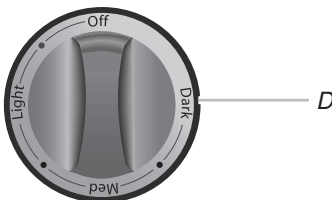
Temp



Time



Toast



Power



- A. Function control knob*
- B. Temperature control knob*
- C. Time control knob*
- D. Toast control knob*
- E. Power on indicator light*



## Countertop Oven Features

This manual covers different models. The appearances of the items shown here may not match those of your model.

### Cooking Elements

Four cooking elements produce up to 1440 watts for baking, broiling, toasting, and warming for even heating.

### Control Panel

Four large knobs have versatile settings for Function, Temperature, Time and Toast. The Power on indicator light glows blue when the oven is operating.

### Broil Pan with Grill

An easy-to-clean broil pan is used with a special grill for baking, broiling, and warming. The broil pan with grill can be placed directly on the oven rack in the desired location for cooking.

### Countertop Oven Racks

The 6-slice capacity racks are reversible for optimal cooking positions.

### Countertop Oven Cavity

The 12" (30.2 cm) deep, 0.6 cu. ft (0.018 cu. m) oven cavity features a nonstick coating for ease of cleaning.

### Toast Timer Control

For more accurate toasting; dark, medium or light. The timer control bell will sound when the desired toasting selection is ready.

### Cook Timer

The countertop oven has a cook timer that can be used for up to 60 minutes of continuous cooking.

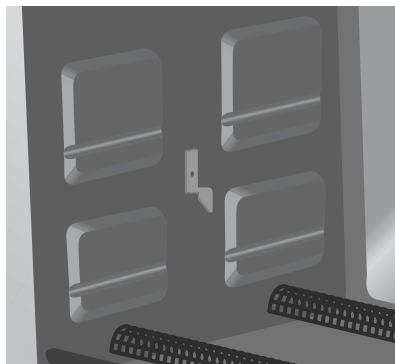
### Constant "On" Feature

The constant "on" feature allows extended cooking time up to 4 hours. Turn the Time control knob to the left to enable the constant "on" feature. The constant "on" feature can be used in combination with the Bake, Broil or Warm functions. Turn the Time control knob to "0" to turn "off" the constant "on" feature.

**NOTE:** The oven has a 4 hour auto shutoff feature. If the constant "on" feature is being used, the oven will automatically shut off after 4 hours and the power on indicator light will flash rapidly.

### Rack-Positioning Slots

Upper, middle and lower slots along the oven sides, combined with the reversible oven rack, can hold the food in up to 6 cooking positions. The middle rack position slot contains a rack stop.



### Removable Crumb Tray

The Crumb tray is located inside the oven and can be accessed by opening the oven door for cleaning. Hand washing is recommended.



### Countertop Oven Door

The durable metal-framed door has a large stainless steel handle and a see-through, tempered glass window.

### Countertop Oven Cabinet

Stylish stainless steel top and control panel are matched to painted side panels.

## Convection Bake Feature (model KCO223 only)

An automatic Convection Bake feature on model KCO223 will operate only when the Bake function is selected. The Convection Bake function will continuously circulate heat while baking.

Heated air is generated and circulates heat at the desired temperature by the built-in fan. For better cooking results use the right cooking pan to allow for proper air circulation.

# PREPARING THE KITCHENAID® COUNTERTOP OVEN FOR USE

### Before First Use:

1. Place the countertop oven on a dry, flat, level surface such as a countertop or table.
2. Be sure the sides, back and top of the oven are at least 4" (10.16 cm) away from any walls, cabinets or objects on the counter or table.
3. Remove all accessories and wash in hot, sudsy water. Dry thoroughly before placing in the oven.
4. Remove all packaging materials and labels, if present.

**NOTE:** Upon first use, the oven may produce light smoke. This is normal.

### Before Each Use:

1. Remove all items not required for the next cooking procedure.

## ⚠ WARNING



### Electrical Shock Hazard

**Plug into a grounded 3 prong outlet.**

**Do not remove ground prong.**

**Do not use an adapter.**

**Do not use an extension cord.**

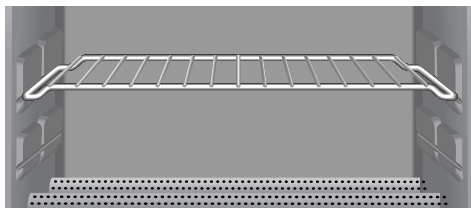
**Failure to follow these instructions can result in death, fire, or electrical shock.**

2. Plug into a grounded 3 prong outlet. The countertop oven should be the only appliance operating on the circuit.
3. The countertop oven is now ready to use.

# KITCHENAID® COUNTERTOP OVEN USE

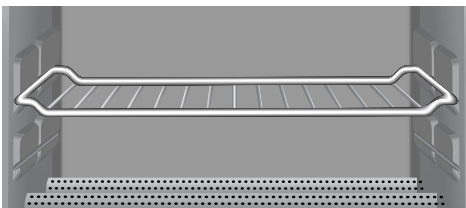
## Understanding Positions of the oven rack

Food cooks uniformly as warmed air moves around the oven rack. Up to 6 slices of bread may be placed directly on the rack for toasting. This unique 6-position rack also holds the broil pan with grill, baking pans or dishes, and standard bakeware. Here is a guide to adjusting your oven rack for optimal cooking performance.



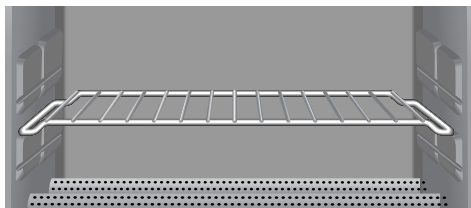
**Position A**

Use the upper slots along countertop oven walls. Slide in the countertop oven rack, using a rack-up orientation.



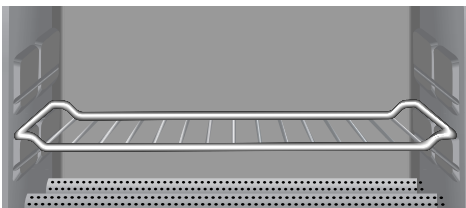
**Position B**

Use the upper slots along countertop oven walls. Slide in the countertop oven rack, using a rack-down orientation.



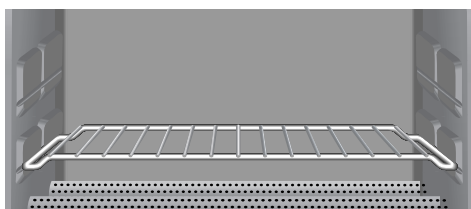
**Position C**

Use the middle slots along countertop oven walls. Slide in the countertop oven rack, using a rack-up orientation. The middle rack position contains a rack stop.



**Position D**

Use the middle slots along countertop oven walls. Slide in the countertop oven rack, using a rack-down orientation. The middle rack position contains a rack stop.



**Position E**

Use the lower slots along countertop oven walls. Slide in the countertop oven rack, using a rack-up orientation.



**Position F**

Use the lower slots along countertop oven walls. Slide in the countertop oven rack, using a rack-down orientation.

---

## Baking (and Reheating) with the Countertop Oven

Both the top and bottom cooking elements will cycle on and off while baking in order to maintain the desired oven temperature. For Convection Bake model KCO223, the convection fan will only run when the Bake function is selected to circulate heat at the desired oven temperature. The Convection Bake function does what a conventional oven does to bake and roast but generally in a shorter amount of time. For better cooking results use the right cooking pan to allow for proper air circulation. Recipes will vary and cooking time will need to be monitored for desired results.

### Recommended Rack Positions:

When first using the oven, position the oven rack as shown by Position C (middle slot, rack up) in the “Understanding Positions of the Oven Rack” section. Then, adjust as needed for your cooking situation. Remember to allow space for food to rise.

### To Bake:

1. Place the rack in a low position so that the food to be baked or heated will be in the center of the oven.
2. Close door.
3. Turn the Function control knob to BAKE.
4. Turn the Temperature control knob to the right to the desired temperature. Bake according to package or recipe instructions (usually 350°F – 425°F [177°C – 218°C]).
5. Preheat the oven for 5 minutes for baking (and reheating) by turning the Time control knob to the right past the 10-minute position, then moving it back to the first dot (5-minute position). After 5 minutes, the bell will sound and the oven will automatically shut off.
6. Place the food in the center of the rack and close the door.
7. Turn the Time control knob to the right to the desired time. When the time has elapsed, the bell will sound and the oven will automatically shut off. Turn the Time control knob to “0” (off) if food is removed before the time has elapsed.
8. For cook times longer than 60 minutes, use the Constant “On” feature.

---

## Broiling (and Top Browning) with the Countertop Oven

Only the top cooking elements will heat when this oven function is selected.

### Recommended Rack Positions:

Use the upper slots along oven walls. Position the oven rack as shown in Position B (top slot, rack down) in the “Understanding Positions of the Oven Rack” section. Place the broil pan with grill (with food) on oven rack.

**NOTE:** Food to be broiled should be at least 1" (2.5 cm) from the cooking elements on the top of the oven. For delicate foods such as fish or chicken, or for less browning, place the rack in a lower position.

### To Broil:

1. Place the food to be broiled on the grill with broil pan, and then close the oven door. The countertop oven does not have an open door broil feature. The door must be closed when broiling.
2. Set the Function control knob to BROIL.
3. Turn the Temperature control knob to the right to BROIL/450°.
4. Turn the Time control knob to the right to the desired time.
5. Monitor the broiling progress.
6. When broiling food on both sides, set the Time control knob for the time desired for one side. When the bell sounds, the oven will automatically shut off. Open the countertop oven door. Use a pot holder to pull the rack and pan about halfway out of the oven. Turn the food, slide the rack and pan back into the countertop oven, and close the door. Turn the Time control knob to a desired time for the other side.
7. When the time elapses, a bell will sound and the oven will automatically shut off.
8. If food is to be removed before the bell sounds, turn the Time control knob to “0” (off) to shut off the countertop oven. Then, remove the food.

---

## Toasting with the Countertop Oven

Both the top and bottom cooking elements will heat when this function is selected.

### Recommended Rack Positions:

Use the lower slots along oven walls. Position the oven rack as shown in Position E (bottom slot, rack up) in the “Understanding Positions of the Oven Rack” section.

### To Toast:

1. For best results, place the bread to be toasted directly on the rack.
2. Toast up to six slices of bread. When toasting only one or two slices of bread, center the bread in the oven.
3. Close the countertop oven door.
4. Turn the Function control knob to the TOAST setting.
5. Turn the Temperature control knob to the right to the BROIL/450° setting.
6. Turn the Toast control knob to the right to the desired toast color; Dark, Medium or Light. Toast ready bell will not sound unless the control knob is turned past the first dot before turning the control to the LIGHT icon.

**TIP:** For more consistent results, preheat oven for 5 minutes prior to first batch of toast. First batch of toast is typically lighter than the selected setting on a cold oven. Preheating the countertop oven or adding more time to first batch yields more accurate toasting on first batch.

7. The bell will sound and the oven will automatically shut off when the countertop oven has finished toasting.
8. Turn the Toast time control knob to “0” (off) if toast is removed before the bell sounds.
9. Adjust Time control knob settings as needed to get desired results.

**NOTE:** It is normal for condensation to form on the door when toasting moist or fresh breads.

**IMPORTANT:** Countertop oven will operate only if the Toast function is selected and the Toast timer is used to select time. The Time control knob does not work with the Toast function.

---

## Warming (Plus Keeping Warm and Heating) with the Countertop Oven

Only the lower cooking elements will heat when this function is selected.

### Recommended Positions:

Select the rack-positioning slots, oven rack, and broil pan with grill positions to match the size of food being heated. When first using the oven, position the oven rack as shown in Position E (bottom slot, rack up) in the “Understanding Positions of the Oven Rack” section. Adjust as needed for your cooking situation.

### To Warm:

1. Turn the Function control knob to the WARM setting.
2. Turn the Temperature control knob to a desired setting. Warm is the lowest temperature setting available.
3. Turn the Time control knob to a desired setting.

---

## Countertop Oven Use Tips

### Setting very short times

When setting timer for 5 minutes or less, turn the Time control knob beyond the 10-minute mark. Then, turn the knob back to the desired time.

### Are guesstimates OK?

Experience will teach you how much time to use for toasting various kinds of bread. Frozen, dark or whole-grain breads require a longer time. Fresh, soft or white breads require a shorter time.

### For foods that melt

When cooking small pieces of foods or foods that will melt, use the broil pan. This will keep food from falling onto the cooking elements.

### To minimize cleanup

Spray the broil pan with nonstick cooking spray for easier cleanup when cooking wet or sticky foods. Wash pan thoroughly after each use to avoid buildup of cooking spray.

### Size limits for food

For best results, food and/or oven-safe containers (see "Food Cooking Tips" section) must fit into the countertop oven without touching the cooking elements or inside walls of oven. The door must close completely.

### When oven is off

Turn the Temperature control knob to WARM, or minimum setting, when countertop oven is not in use.

### For extended use

When cooking for a long time at high temperatures, you may detect a slight odor from the oven insulation materials. This is normal.

---

## Food Cooking Tips

- Check food cooking progress through the clear, tempered glass door window. Your countertop oven will be more energy efficient if you open the door less often.
- If top of food item browns too fast, lower the rack position or reduce oven temperature. If bottom of food item browns too fast, raise rack position or reduce oven temperature.
- Be sure all foods and/or containers fit in the countertop oven without touching cooking elements or keeping door from closing.
- Remove all plastic and/or paper wrappers from foods before cooking.
- Use only loosely covered oven-safe containers. Airtight containers may cause food to boil over or splatter.
- Follow package directions when preparing frozen or packaged foods. Preheating the oven is not necessary.
- Oven surfaces can become hot during cooking. Touch only the door handle and knobs during oven operation.
- Do not place items on top or near countertop oven while in use.
- Replace cardboard, glass or plastic lids with aluminum foil for use in the countertop oven.

---

## Choosing Bakeware for Countertop Oven Use:

- The broil pan included with the oven is suitable for items such as cookies, rolls, biscuits, nachos and pork chops.
- A variety of standard baking dishes, such as a 9" (22.9 cm) round or square cake pan, a 6 cup (1.5 L) muffin pan, small baking sheets, and 1 and 2 qt (0.95 mL and 1.9 L) round, square and rectangular casserole dishes, may be used. The oven door must close completely.
- Choose bakeware made of metal, oven-safe glass, ceramic or silicone.
- Use lowest oven rack position when using deep, oven-safe glass or ceramic containers and allow at least 1" (2.5 cm) airspace between the top of the container and the upper cooking elements.
- Do not use glass lids. If a cover is desired, use a loosely fitted sheet of aluminum foil shiny side up or down.
- Many convenience foods are packaged in nonmetallic containers suitable for use in microwave ovens. Check package directions to determine whether the container is suitable for use in a regular oven.

---

## KITCHENAID® COUNTERTOP OVEN CARE

---

### Cleaning Your Countertop Oven

- Make sure the Time control knob is in the 0 (off) position. Then, unplug from the wall socket before cleaning.
- Allow oven and accessories to cool completely before cleaning.
- Do not use abrasive cleaners or metal scouring pads. They could scratch the surface.
- Wipe the outside of the oven with a clean, damp cloth and dry thoroughly. A nonabrasive liquid cleaner may be used for stubborn stains. Rinse and dry thoroughly.
- Hand washing is recommended for racks and pan. Remove all items from the countertop oven. Wash the rack, broil pan, and grill in hot, sudsy water. Rinse and dry thoroughly. To clean the crumb tray, slide it out of the oven and brush off crumbs. Wipe with a damp cloth and dry thoroughly.
- To remove baked-on stains, scrub with a paste made from baking soda and water. Rinse and dry thoroughly.
- The walls on the inside of the oven have a nonstick coating for easy cleaning. Remove heavy spatter after use with a nylon or polyester mesh pad, sponge or cloth dampened with warm water. Dry with a paper towel or soft, dry cloth.

**IMPORTANT:** Do not use cleaning agents, cleansers or metal scouring pads on the inner oven coating as they may reduce its effectiveness.

**NOTE:** The oven rack, broil pan and grill are dishwasher safe, but hand washing is recommended.

## TROUBLESHOOTING

- If your countertop oven should fail to operate, check the following:

### **⚠ WARNING**



#### **Electrical Shock Hazard**

**Plug into a grounded 3 prong outlet.**

**Do not remove ground prong.**

**Do not use an adapter.**

**Do not use an extension cord.**

**Failure to follow these instructions can result in death, fire, or electrical shock.**

- **Is the fuse in the circuit to the countertop oven in working order?**  
If you have a circuit breaker box, make sure the circuit is closed. Try unplugging the countertop oven, then plug it back in.
- **Upper cooking elements visibly glow, but bottom cooking elements do not.**  
The upper cooking elements use higher power for better browning performance. The lower cooking elements are on, but may not visibly glow like the upper cooking elements. This is normal and your countertop oven is working properly.
- **Power on light is flashing rapidly.**  
The oven has a 4 hour auto shutoff feature. If the constant on feature is being used, the oven will automatically shut off after 4 hours and the power on indicator light will flash rapidly.
- **If the problem cannot be corrected:**  
See the "KitchenAid Warranty and Service" sections. Do not return the countertop oven to the retailer – retailers do not provide service.

Is the countertop oven plugged into a grounded 3 prong outlet?

## PROOF OF PURCHASE AND PRODUCT REGISTRATION

Always keep a copy of the sales receipt showing the date of purchase of your countertop oven. Proof of purchase will assure you of in-warranty service.

Before you use your countertop oven, please fill out and mail your product registration card packed with the unit. This card will enable us to contact you in the unlikely event of a product safety notification and assist us in complying with the provisions of the Consumer Product Safety Act. This card does not verify your warranty. Please complete the following for your personal records:

**Model Number** \_\_\_\_\_

**Serial Number** \_\_\_\_\_

**Date Purchased** \_\_\_\_\_

**Store Name and Location** \_\_\_\_\_



# KITCHENAID® COUNTERTOP OVEN WARRANTY

Length of Warranty:	KitchenAid Will Pay For:	KitchenAid Will Not Pay For:
<p><b>50 United States, the District of Columbia, Canada, and Puerto Rico:</b> One-year limited warranty from date of purchase.</p>	<p><b>50 United States, the District of Columbia and Canada:</b> Hassle-free replacement of your countertop oven. See the following page for details on how to arrange for replacement. OR <b>In Puerto Rico:</b> The replacement parts and repair labor costs to correct defects in materials and workmanship. Service must be provided by an Authorized KitchenAid Service Center. To arrange for service, follow the instructions in the "How to Arrange for Warranty Service in Puerto Rico."</p>	<p>A. Repairs when countertop oven is used in other than normal single family home use. B. Damage resulting from accident, alteration, misuse or abuse or use with products not approved by KitchenAid. C. Replacement parts or repair labor costs for countertop oven when operated outside the country of purchase.</p>

DISCLAIMER OF IMPLIED WARRANTIES; LIMITATION OF REMEDIES IMPLIED WARRANTIES, INCLUDING TO THE EXTENT APPLICABLE WARRANTIES OF MERCHANTABILITY OR FITNESS FOR A PARTICULAR PURPOSE, ARE EXCLUDED TO THE EXTENT LEGALLY PERMISSIBLE. ANY IMPLIED WARRANTIES THAT MAY BE IMPOSED BY LAW ARE LIMITED TO ONE YEAR, OR THE SHORTEST PERIOD ALLOWED BY LAW. SOME STATES AND PROVINCES DO NOT ALLOW LIMITATIONS OR EXCLUSIONS ON HOW LONG AN IMPLIED WARRANTY OF MERCHANTABILITY OR FITNESS LASTS, SO THE ABOVE LIMITATIONS OR EXCLUSIONS MAY NOT APPLY TO YOU.

IF THIS PRODUCT FAILS TO WORK AS WARRANTED, CUSTOMER'S SOLE AND EXCLUSIVE REMEDY SHALL BE REPAIR OR REPLACEMENT ACCORDING TO THE TERMS OF THIS LIMITED WARRANTY. KITCHENAID AND KITCHENAID CANADA DO NOT ASSUME ANY RESPONSIBILITY FOR INCIDENTAL OR CONSEQUENTIAL DAMAGES. This warranty gives you specific legal rights and you may also have other rights which vary from state to state or province to province.

---

## Hassle-Free Replacement Warranty – 50 United States and District of Columbia

We're so confident the quality of our products meets the exacting standards of KitchenAid that, if your countertop oven should fail within the first year of ownership, KitchenAid will arrange to deliver an identical or comparable replacement to your door free of charge and arrange to have your original toaster returned to us. Your replacement unit will also be covered by our one year limited warranty. Please follow these instructions to receive this quality service.

If your KitchenAid® countertop oven should fail within the first year of ownership, simply call our toll-free Customer Satisfaction Center at 1-800-541-6390 Monday through Friday, 8 a.m. to 8 p.m. (Eastern Time), or Saturday, 10 a.m. to 5 p.m. Give the consultant your complete shipping address. (No P.O. Box numbers, please.)

When you receive your replacement countertop oven, use the carton and packing materials to pack up your original countertop oven. In the carton, include your name and address on a sheet of paper along with a copy of the proof of purchase (register receipt, credit card slip, etc.).

---

## Hassle-Free Replacement Warranty – Canada

We're so confident the quality of our products meets the exacting standards of the KitchenAid® brand that, if your countertop oven should fail within the first year of ownership, KitchenAid Canada will replace your countertop oven with an identical or comparable replacement. Your replacement unit will also be covered by our one year limited warranty. Please follow these instructions to receive this quality service.

If your KitchenAid® countertop oven should fail within the first year of ownership, take the countertop oven or ship collect to an Authorized KitchenAid Service Centre.

In the carton include your name and complete shipping address along with a copy of the proof of purchase (register receipt, credit card slip, etc.). Your replacement countertop oven will be returned prepaid and insured. If you are unable to obtain satisfactory service in this manner call our toll-free Customer eXperience Centre at 1-800-807-6777.

Or write to us at:

Customer eXperience Centre  
KitchenAid Canada  
200 - 6750 Century Ave.  
Mississauga, ON L5N 0B7

---

## How to Arrange for Warranty Service in Puerto Rico

Your KitchenAid® countertop oven is covered by a one-year limited warranty from the date of purchase. KitchenAid will pay for replacement parts and labor costs to correct defects in materials and workmanship. Service must be provided by an Authorized KitchenAid Service Center.

Take the countertop oven or ship prepaid and insured to an Authorized KitchenAid Service Center. Your repaired countertop oven will be returned prepaid and insured. If you are unable to obtain satisfactory service in this manner, call toll-free 1-800-541-6390 to learn the location of a Service Center near you.

---

## How to Arrange for Service after the Warranty Expires – All Locations

Before calling for service, please review the "Troubleshooting" section.

**For service information in the 50 United States, District of Columbia, and Puerto Rico,**

call toll-free 1-800-541-6390.

Or write to:

Customer Satisfaction Center  
KitchenAid Portable Appliances  
P.O. Box 218, St. Joseph, MI 49085-0218

Or contact an Authorized Service Center near you.

**For service information in Canada,**  
call toll-free 1-800-807-6777.

Or write to:

Customer eXperience Centre  
KitchenAid Canada  
200 - 6750 Century Ave.  
Mississauga, ON L5N 0B7

---

## How to Arrange for Service Outside These Locations

Consult your local KitchenAid dealer or the store where you purchased the countertop oven for information on how to obtain service.

**For service information in Mexico,**  
call the KitchenAid® line 01-800-002-2767

---

## How to Order Accessories and Replacement Parts

**To order accessories or replacement parts for your countertop oven in the 50 United States, District of Columbia, and Puerto Rico,**

call toll-free 1-800-541-6390 Monday through Friday, 8 a.m. to 8 p.m. (Eastern Time), or Saturday, 10 a.m. to 5 p.m.

Or write to:

Customer Satisfaction Center  
KitchenAid Portable Appliances  
P.O. Box 218  
St. Joseph, MI 49085-0218

**To order accessories or replacement parts for your countertop oven in Canada,**

call toll-free 1-800-807-6777.

Or write to:

Customer eXperience Centre  
KitchenAid Canada  
200 - 6750 Century Ave.  
Mississauga, ON L5N 0B7

**To order accessories or replacement parts for your countertop oven in Mexico,**

**For service information in Mexico,**  
call the KitchenAid® line 01-800-002-2767

## Free Manuals Download Website

<http://myh66.com>

<http://usermanuals.us>

<http://www.somanuals.com>

<http://www.4manuals.cc>

<http://www.manual-lib.com>

<http://www.404manual.com>

<http://www.luxmanual.com>

<http://aubethermostatmanual.com>

Golf course search by state

<http://golfingnear.com>

Email search by domain

<http://emailbydomain.com>

Auto manuals search

<http://auto.somanuals.com>

TV manuals search

<http://tv.somanuals.com>