



KitchenAid

BUILT-IN DISHWASHER

KD-18 SERIES

INSTALLATION INSTRUCTIONS

MR. INSTALLER: HAVE YOU CHECKED!

PLACEMENT OF DISHWASHER

- 1. Remove styrofoam packing blocks from top and corrugated motor block packing from rear of unit after dishwasher is removed from skid.
- 2. Properly positioned—level, aligned and square with cabinet opening.
- 3. Anchored securely, either to cabinet or floor.
- 4. Installation debris removed from under dishwasher.

ELECTRICAL CONNECTION

- 1. Separate 115 volt, 60 hertz, 1 phase branch with a 15 ampere capacity protected by a maximum of 15 ampere fuse size.
- 2. Dishwasher properly grounded.
- 3. All connections in conformance with local electrical code.

PLUMBING

- 1. Water supply at dishwasher: 20 to 120 P.S.I. pressure, temperature of 140° F. to 160° F. and 1/2" O.D. (min.) copper tube.
- 2. Drain lines at least 5/8" O.D. copper tubing or equivalent without drain air gap and with no tight bends (kinks) or other restrictions to prevent complete draining.
- 3. Drain lines at least 9/16" I.D. copper tubing or equivalent with drain air gap and with no tight bends (kinks) or other restrictions to prevent complete draining.
- 4. Compliance with all aspects of local plumbing code.
- 5. Make sure drain hose does not touch any electrical components or terminals.

OPERATIONAL

- 1. All internal packing material and labels and door pads removed.
Place detergent in both compartments of detergent dispenser, close cover(s) and operate dishwasher through complete "Normal Cycle." Note: KDC has cover over only one of two compartments.

Check: Proper Fill—Water level approximately 1-1/2" below centerline of 4 Way Hydro Sweep tubes. Complete Drain.

Detergent Dispenser—must operate automatically and completely dispense detergent.

Dishracks, for freedom of movement and adjustment.

THANK YOU MR. INSTALLER:

1. Complete Installation Check List.
2. Leave all literature (Incl. Check List) for customer.
3. Notify dealer that electrical work and plumbing are completed.

FOR DETAILED INSTRUCTIONS, FOLLOW METHODS DESCRIBED IN THIS FOLDER

② HOT WATER SUPPLY LINE

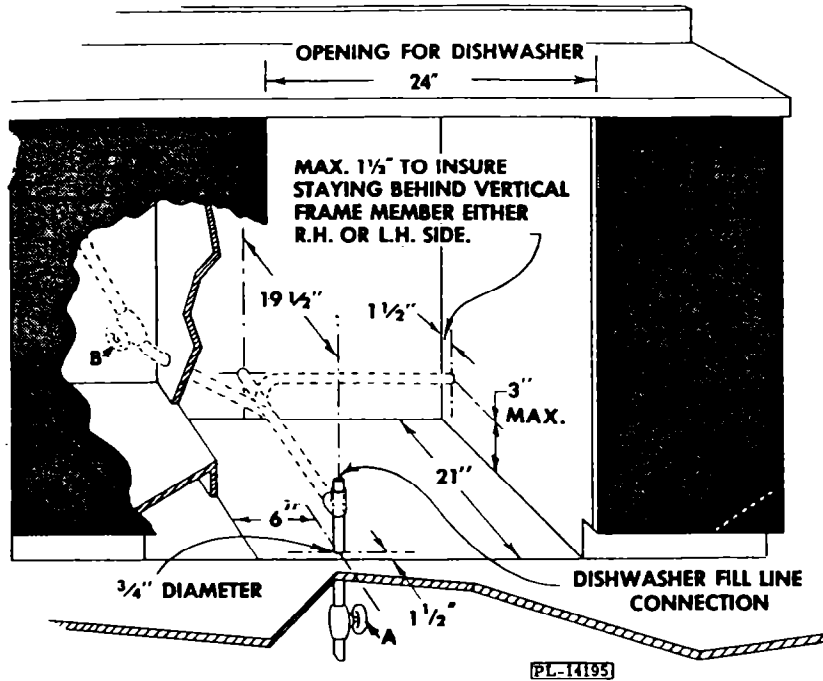


FIG. 3

If the fill line comes from either right or left, it must be installed behind the vertical frame members which are 2-9/16" from the wall. Locate fill line according to FIG. 3. For roughing-in purposes, locate 3/4" hole 19-1/2" from back wall and 6 inches from left edge of cabinet. For other typical fill line installations such as water line from back see alternate (dotted line) suggestions.

All sweat fittings for 1/2" O.D. copper tubing must be sweat into place before attaching to dishwasher to prevent excess heat on fill valve. Make certain that there is a hand shut off valve (A or B, Fig. 3) in the hot water supply line.

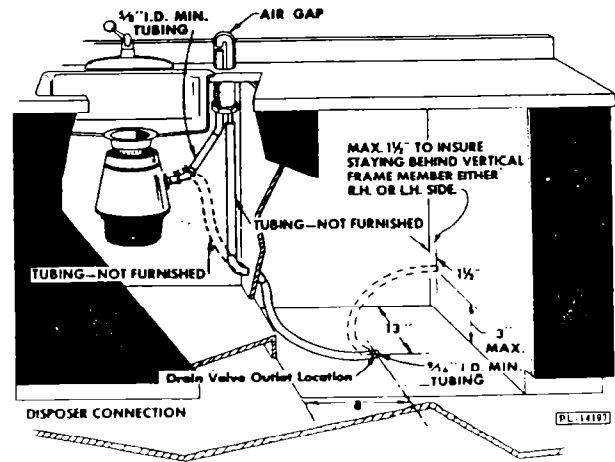
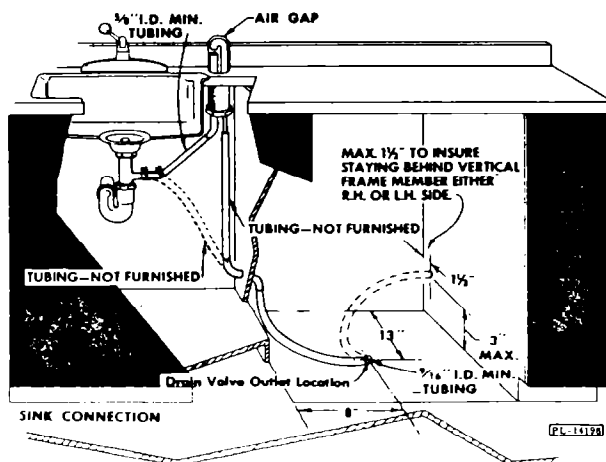
To conveniently service dishwasher, it is recommended a union be connected in the fill line.

③ DRAIN SYSTEM

The dishwasher is equipped with a pump type drain. Except during drain periods, drain valve is closed thus protecting the dishwasher from normal back flow from drain line. Dishwasher can be connected to a drain line through the back wall to a sink or disposer to either right or left side or to an air gap. Note figure 4 for dimensions for locations of drain line. Note figure 2 for area to be kept free of all plumbing connections. Connect a 9/16" I.D. minimum drain line (furnished by installer) to drain valve. When flexible hose is used, it must be resistant to heat and

detergent water. When copper tubing is used, make the connection to drain valve using a short length of flexible hose and clamps. Flexible drain hose and clamps are furnished in KD-1K installation kit available from your local KitchenAid dealer or distributor. Drain connections must be in compliance with local codes. Do not install check valve in drain line. When connecting dishwasher drain to a food waste disposer, be sure to remove the knockout (or threaded) plug in the disposer to insure proper drainage.

NOTE: Do Not Kink Drain Hose.
Minimum Size For All Dishwasher Drains Is 9/16" I.D.
A Drain Gap May Be Required. Consult Your Local Codes.



③ DRAIN SYSTEM (Cont.)

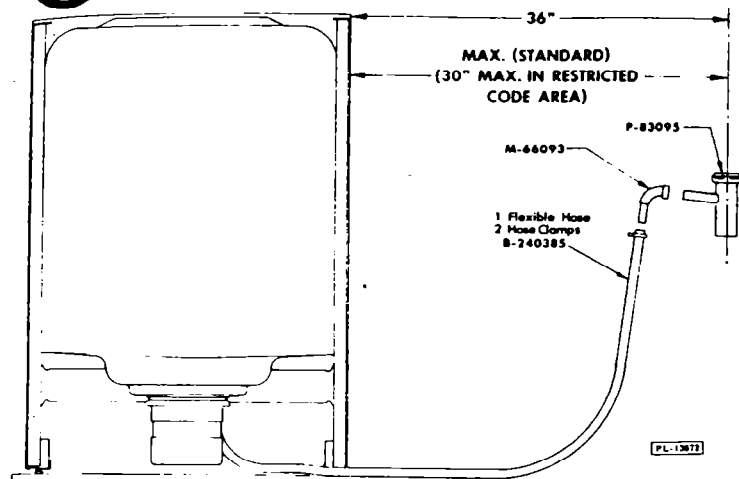


FIG. 5

NOTE: Drain Hose #B-240385 may be used to connect dishwasher with disposer unit, or to sink drain using Tee P-83095 or elbow M-66093 (available as accessories).

CAUTION: Make sure drain hose does not touch any electrical components or terminals.

Drain hose must withstand hot water and detergent and can be obtained from a plumbing hardware or automotive supply outlet.

Other accessories available from your dealer or distributor are:

Top Kits

Rinse Agent Kit

Front Trim Kit

Side Panel Kits

Front Panel Kits

④ ELECTRICAL SUPPLY LINE

Before setting dishwasher in place, run individual 15 amp. minimum branch circuit with grounded electrical cable. (A, Fig. 6) shows routing methods for the electrical supply line hook-up to the KitchenAid dishwasher. CAUTION: No other outlets or appliances should be on this circuit.

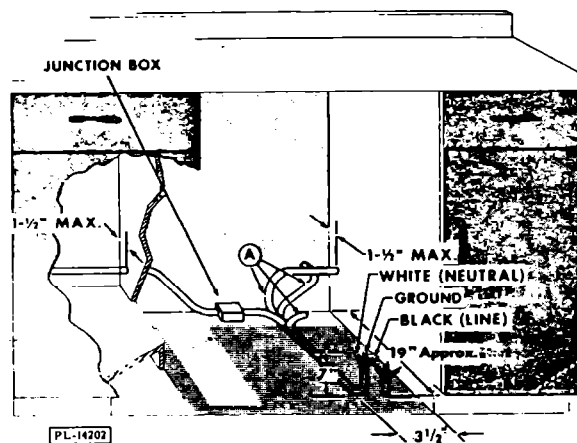


FIG. 6

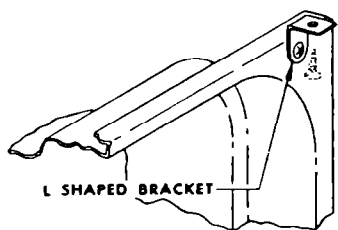
FINAL INSTALLATION

① POSITIONING AND ANCHORING DISHWASHER

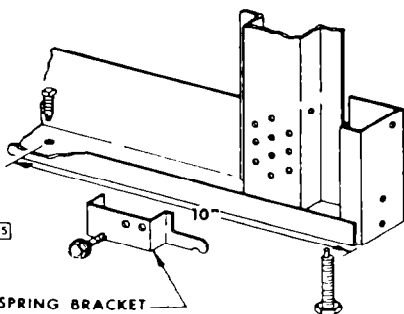
Remove styrofoam packing blocks and corrugated motor block packing after dishwasher is removed from skid. Remove protector panel before front panels are installed. Check the upper

rear portion of the cabinet opening to make certain that area is cleared of cabinet or top support framing members. Set the dishwasher adjacent to cabinet and adjust the four leveling feet to the desired height. The four leveling feet can be used to raise the dishwasher to 35" or lower to 33-11/16" (33-7/16" if leveling screws are removed). Adjust kickplate. Kickplate can be adjusted by moving up or down.

After the dishwasher is in position, make sure it is level from side to side and front to rear. If possible dishwasher front should be parallel to counter top and flush with cabinets. To maintain alignment of dishwasher with adjacent cabinets, fasten dishwasher to counter top with two #10 flat head wood screws (not furnished). Use these screws in the two L shaped adjustable brackets (furnished) at the upper left and right hand corners of the dishwasher. When dishwasher is not installed beneath a continuous counter top it may be necessary to anchor dishwasher to floor using 1/4" lag bolt or screw, in hole provided. If door tension adjustment is required, adjust door spring so the door is counterbalanced and will remain in open position. Adjust tension by changing bracket to alternate holes and/or moving spring hooks to alternate position.



L SHAPED BRACKET



PL-13585

DOOR SPRING BRACKET

FIG. 7

② CONNECTING HOT WATER SUPPLY LINE

Make certain fill line has been flushed clear of foreign materials. Use compression ell (furnished) to connect 1/2" O.D. copper fill line to dishwasher fill valve. Make sure fill line has no sharp bends (5" min. bend radius suggested) that may produce kinks which might restrict water flow. Connect fill line to meet local plumbing codes.

③ CONNECTING DRAIN LINE

Connect dishwasher drain to meet local plumbing code. See suggested installations FIG. 4. See note for available drain accessories.

④ CONNECTING ELECTRICAL POWER SOURCE

A—Remove junction box on dishwasher. B—Install approved connector (not furnished). C—Connect power cable white lead to white lead and black lead to black lead with adequate insulation or wire nuts and ground wire under green ground screw or lug. Reinstall junction box.

When house wiring is aluminum, use U.L. approved aluminum to copper connectors.

The dishwasher must be properly grounded before operating by connecting to a suitable ground complying with National Electrical Code and/or local electrical code.



FIG. 8

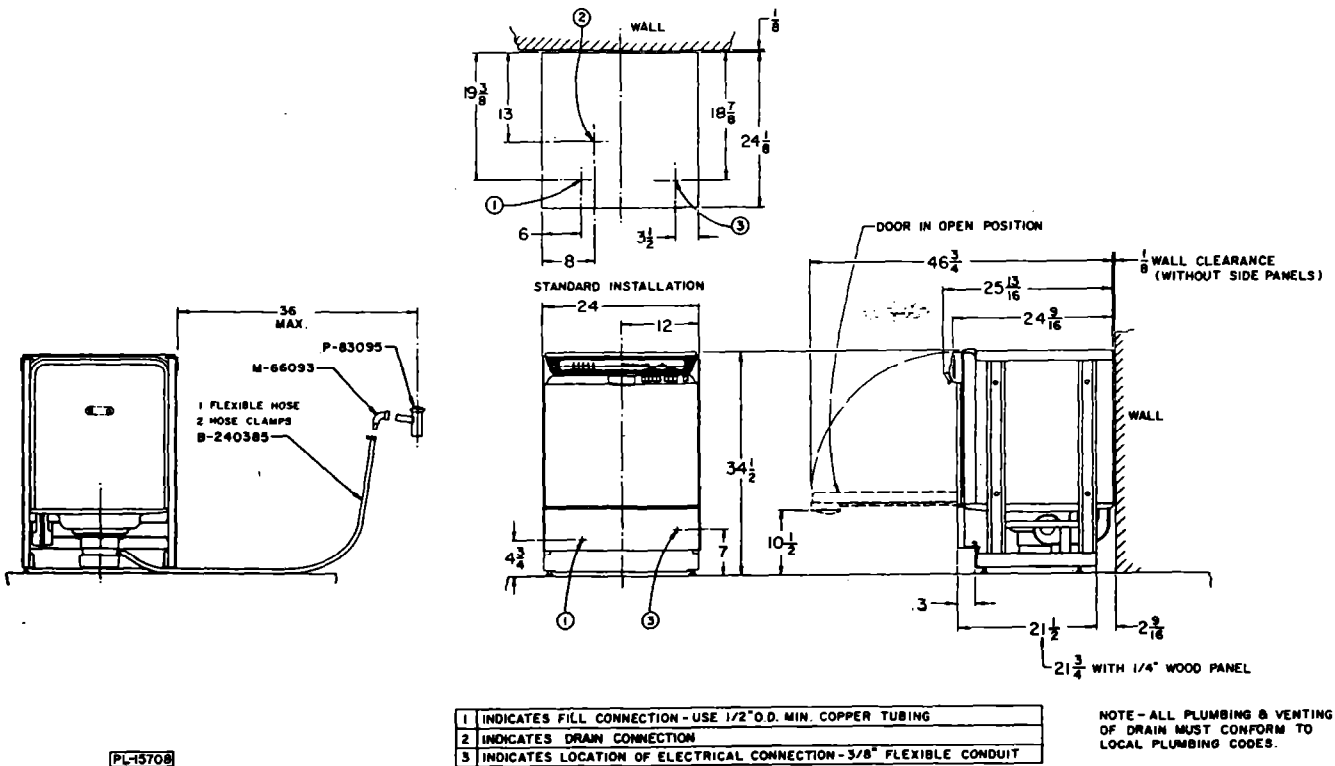
⑤ TESTING INSTALLATION

Remove installation debris from under dishwasher, foam door pads on each side and near top of tank, and all internal packing material and labels.

Install front and lower panels per instructions supplied with panel kits. Turn on electrical power and water supply. Turn Action Indicator clockwise to the OFF position (Custom and Imperial models). On Superba model, press "Cancel-Drain" button; timer will advance to "OFF" automatically. Lift door handle. Wait for Timer to automatically reset itself (necessary for

initial installation test of Superba only). Then, push door handle down to lock position and press "Normal Cycle" button. Run dishwasher through the complete cycle to make certain it is operating properly. Turn off electrical power, remove lower panel and check for leaks. Reinstall lower panel and turn on electrical power.

DETAILS AND CONNECTIONS



PL-15708

CAUTION

For installation when the dishwasher is to be left unused in freezing temperatures: Turn off electrical power and shut off water supply at the hand valve. Remove lower panel. Disconnect both inlet and outlet lines at the DRAIN valve. This permits water to drain from the dishwasher tank, pump and drain line. Disconnect both the inlet and outlet lines at the FILL valve. Make provisions to control water drained from unit. Reinstall lower panel. Turn on electrical power. Then, push door handle down to lock position and push "Normal Cycle" button. Let dishwasher run

through first pre-rinse only (approximately four minutes) to drain all water trapped in the dishwasher. Turn off electricity. To complete installation later:

Connect drain and fill valves-both inlet and outlet.

Reinstall lower panel.

Turn on water and electrical supply. Then push button for cycle desired.

KITCHENAID DIVISION

HOBART
CORPORATION

TROY, OHIO 45374

FORM 12106F (Rev. 11-78) (Supds. F. 12106E, 6-78)

PRINTED IN U.S.A.

Free Manuals Download Website

<http://myh66.com>

<http://usermanuals.us>

<http://www.somanuals.com>

<http://www.4manuals.cc>

<http://www.manual-lib.com>

<http://www.404manual.com>

<http://www.luxmanual.com>

<http://aubethermostatmanual.com>

Golf course search by state

<http://golfingnear.com>

Email search by domain

<http://emailbydomain.com>

Auto manuals search

<http://auto.somanuals.com>

TV manuals search

<http://tv.somanuals.com>