

Classic Series Dishwasher



Stainless Steel
KUDC10FXSS

25% Better Results vs. the Competition*

Stainless Steel Wash Arms

Four stainless steel wash arms are an industry exclusive and part of the quality KitchenAid performance features that demonstrate the highest level of craftsmanship in each of our products.

AquaSense™ Fill System

A sensor assesses water pressure before the selected cycle begins, ensuring the optimal amount of water for superior results, regardless of the cycle selected.

Adjustable Upper Rack with Manual Adjusters

Manual adjusters allow the rack to easily roll out and adjust to one of two pre-set positions, making more room for loading dishes.

Architect® Series II

KUDC10FX – 52 dBA**

Performance

- Built-In Hard Food Disposer
- 4 Cycles (Heavy Duty, Normal, One Hour Wash, Rinse Only)
- 3 Options (Hi-Temp Scrub, Heat Dry, Control Lock)
- Dedicated Drying System with Heat Dry Option
- Optimum Wash Sensor
- AquaSense™ Fill System
- Whisper Quiet® 52 Sound Insulation System

Craftsmanship & Design

- Fully Integrated Console
- Architect® Series II Handle
- Tall Tub with Stainless Steel Interior
- 4 Stainless Steel Wash Arms
- 14 Place Setting Capacity
- Light-Touch Controls with Audio Feedback
- Status Lights
- Flood Protection Technology
- ENERGY STAR® Qualified
- CEE Tier 2 Qualified

Upper and Lower Racks

- DuraKote™ Nylon-Coated Racks
- Cushion-Tip™ Tines

Upper Rack

- Adjustable with Manual Adjusters
- Robust Handle
- 2 Sure-Hold® Light Items Clips

Lower Rack

- Fold-Down Row with Three-Position Tines
- Silverware Basket

Colors

- White (WH), Black (BL), Stainless Steel (SS)



FOR THE WAY IT'S MADE.®

*Combined wash and dry results of leading premium brands' highest MSRP models; dry testing conducted without rinse aid.

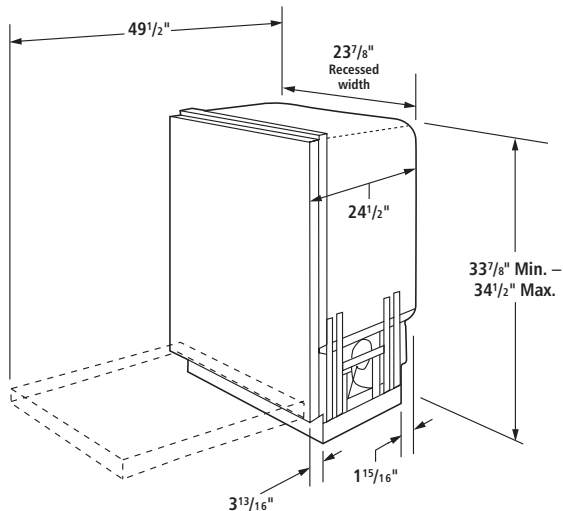
**Per IEC standards, normal cycle.

®ENERGY STAR is a U.S. registered mark.

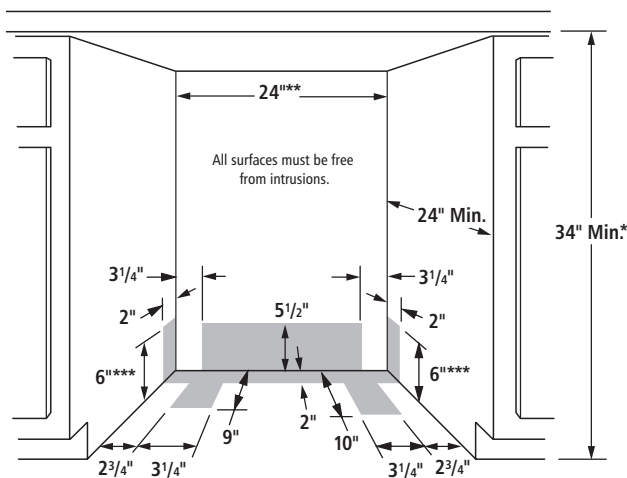
Classic Series Dishwasher

KUDC10FX

PRODUCT DIMENSIONS



CUTOUT DIMENSIONS



*Measured from the lowest point on the underside of countertop. May be reduced to 33 7/8" by removing wheels from dishwasher.

**Minimum, measured from narrowest point of opening.

***May be increased to 6 7/8" if height of opening is 34 1/2" at its lowest point.

Cut openings in shaded area of cabinet walls or floor as specified in chart:

OPENING FOR:	DIAMETER:
water line	1/2"
drain line	1 1/2"
direct wire	3/4"
power supply cord	1 1/2"

HANDLE

The following handle is available as an optional accessory.



Towel Bar Handle
Stainless Steel – W10320831

Dimensions are for planning purposes only. For complete details, see Installation Instructions packed with product. Specifications subject to change without notice.

For additional information about KitchenAid® appliances, visit KitchenAid.com or call the Customer Experience Center at 800-422-1230. We'll help you select the ideal model and answer questions about appliance operation and performance.

KitchenAid®
FOR THE WAY IT'S MADE.®

®Registered trademark/™Trademark/the shape of the stand mixer is a registered trademark of KitchenAid, U.S.A.

©2010. All rights reserved.

KitchenAid • Benton Harbor, Michigan 49022 U.S.A.

®ENERGY STAR is a U.S. registered mark.

Download from www.Somanuals.com. All Manuals Search And Download.



Free Manuals Download Website

<http://myh66.com>

<http://usermanuals.us>

<http://www.somanuals.com>

<http://www.4manuals.cc>

<http://www.manual-lib.com>

<http://www.404manual.com>

<http://www.luxmanual.com>

<http://aubethermostatmanual.com>

Golf course search by state

<http://golfingnear.com>

Email search by domain

<http://emailbydomain.com>

Auto manuals search

<http://auto.somanuals.com>

TV manuals search

<http://tv.somanuals.com>