

KitchenAid® Drawer Dishwasher

PRODUCT MODEL NUMBERS

KUDH03DT

Electrical: 120-volt, 60-Hz, AC-only, 15- or 20-amp fused electrical supply. Use copper wire only. A time-delay fuse or circuit breaker and separate circuit is recommended.

Water: A hot water line with 20 to 120 psi (138 to 862 kPa) water pressure. Water temperature must be 120°F (49°C) at dishwasher. Use flexible stainless steel braided fill line (1/2" [1.3 cm] minimum plastic tubing not recommended).

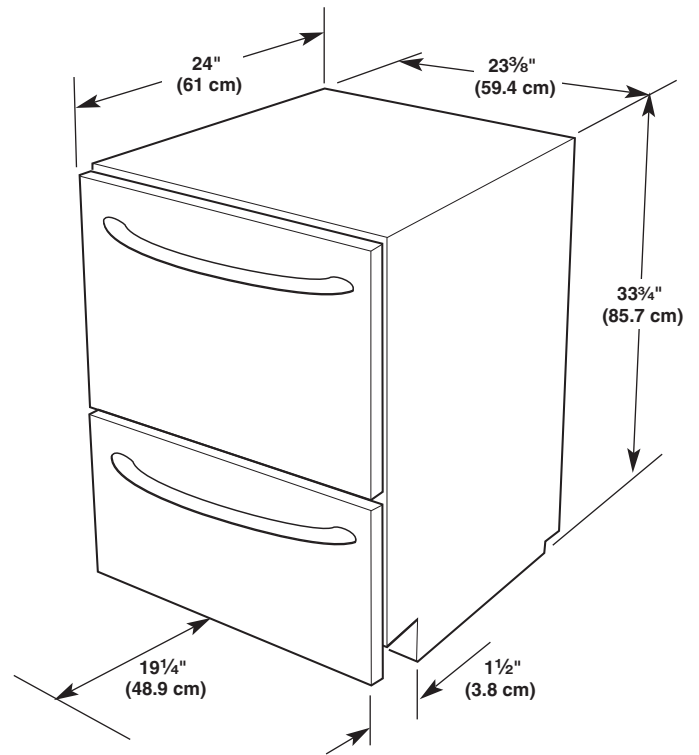
Drain Requirements: Use the new drain hose supplied with your dishwasher. If this is not long enough, use a new drain hose with maximum length of 12 ft (3.7 m) that meets all current AHAM/IAPMO test standards, is resistant to heat and detergent, and fits the 1" (2.5 cm) drain connector of the dishwasher.

Connect drain hose to waste tee or disposer inlet above drain trap in house plumbing and 20" (50.8 cm) minimum above the floor. It is recommended that the drain hose either be looped up and securely fastened to the underside of the counter, or be connected to an air gap.

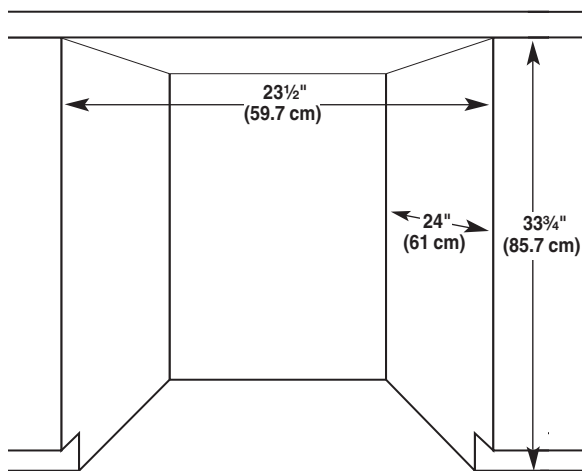
Use a drain air gap if the drain hose is connected to house plumbing lower than 20" (50.8 cm) above the subfloor or floor.

Use 1/2" (1.3 cm) minimum I.D. drain line fittings.

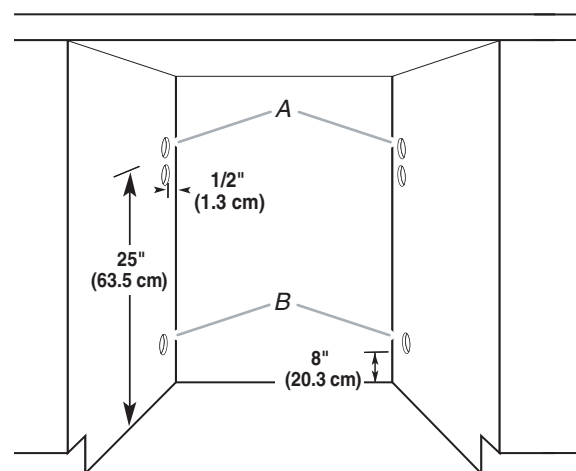
PRODUCT DIMENSIONS



CUTOUT DIMENSIONS



PREFERRED UTILITY AREA



A. Choose left-hand or right-hand drain and water connection route.
B. Choose left-hand or right-hand electric connection route.

NOTE: All holes should be drilled at 1 1/2" (3.8 cm) diameter.

Free Manuals Download Website

<http://myh66.com>

<http://usermanuals.us>

<http://www.somanuals.com>

<http://www.4manuals.cc>

<http://www.manual-lib.com>

<http://www.404manual.com>

<http://www.luxmanual.com>

<http://aubethermostatmanual.com>

Golf course search by state

<http://golfingnear.com>

Email search by domain

<http://emailbydomain.com>

Auto manuals search

<http://auto.somanuals.com>

TV manuals search

<http://tv.somanuals.com>