

# KitchenAid® DOOR AND PANEL PARTS

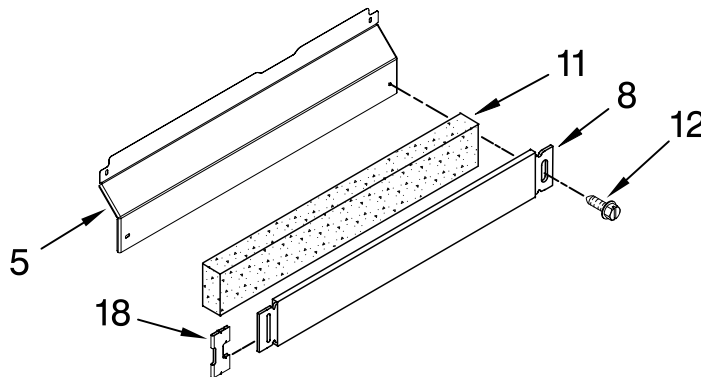
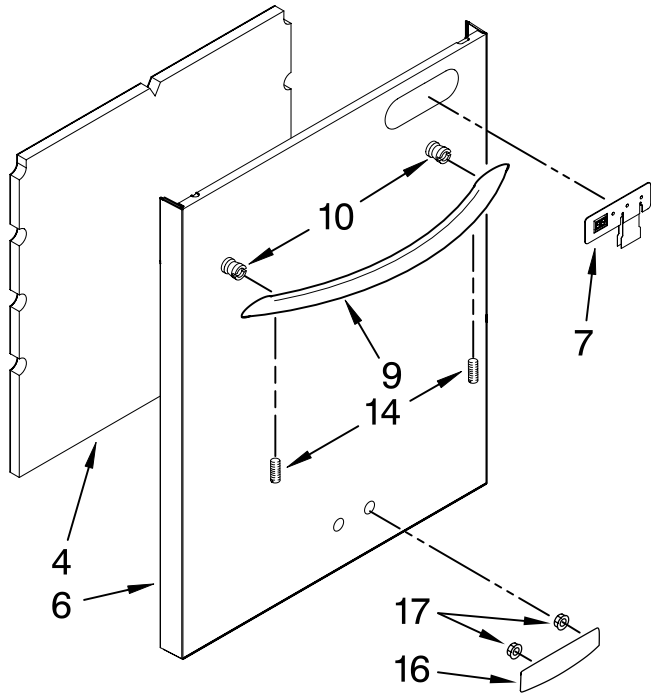
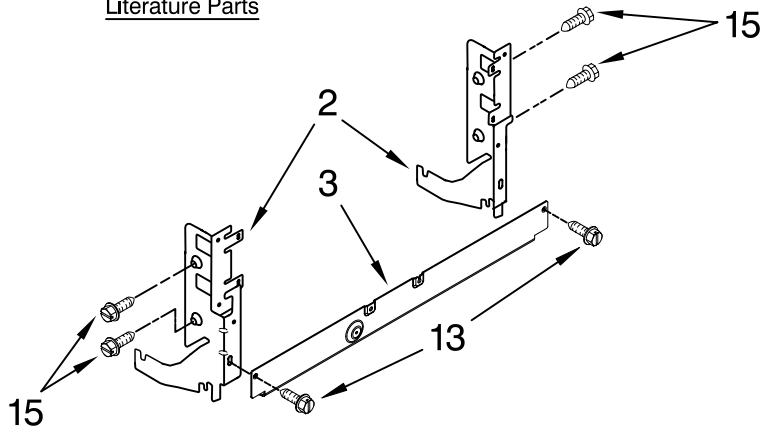
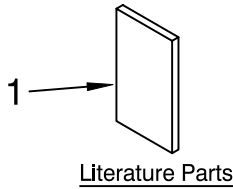
For Models: KUDU03STBL2, KUDU03STWH2, KUDU03STSS2

(Black)

(White)

(Stainless)

UNDERCOUNTER  
DISHWASHER

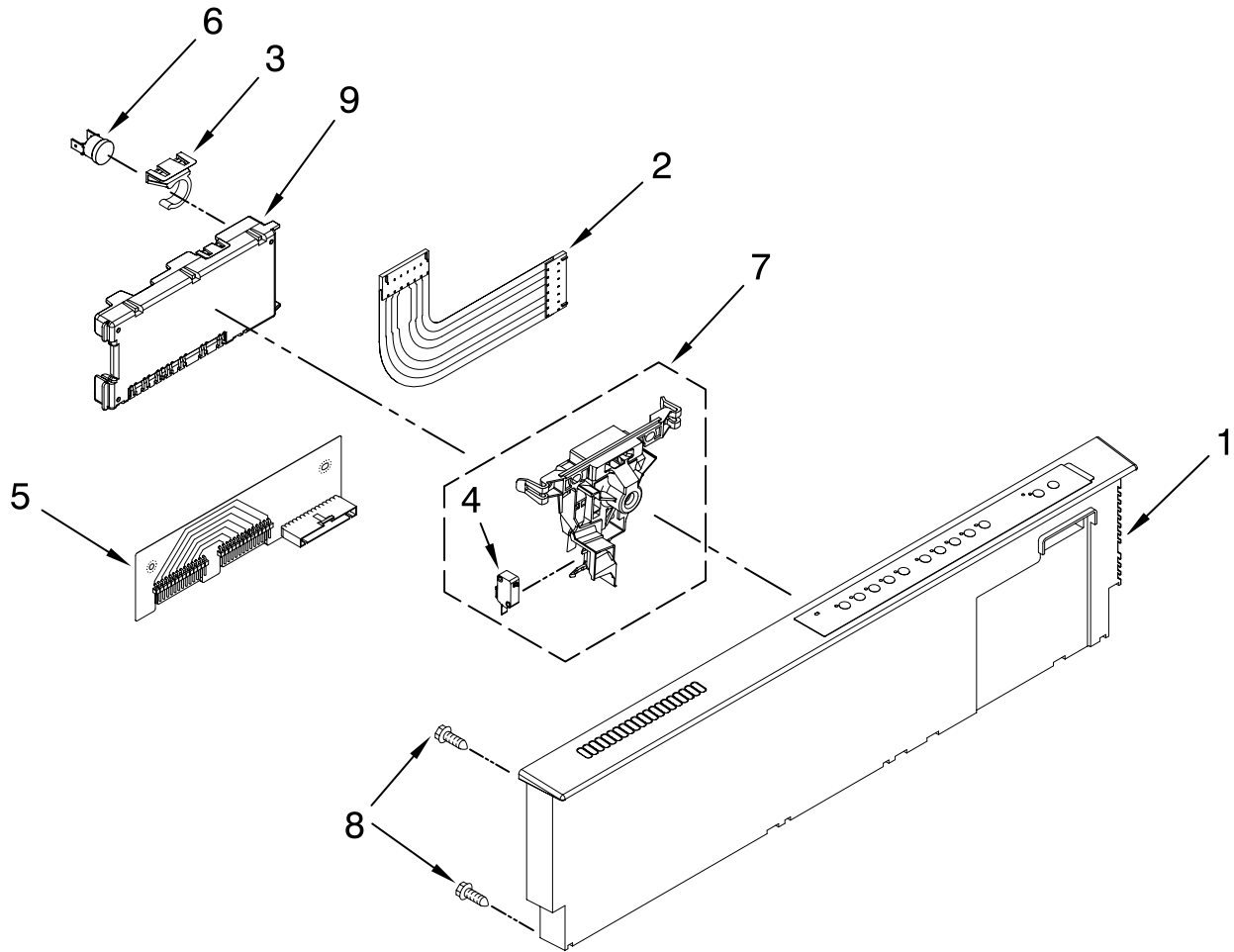


Illus. No.	Part No.	DESCRIPTION
1		Literature Parts
	W10078153	Instructions, Installation
	W10164239	Energy Guide
	W10084169	Guide, Use & Care Spanish
	W10084091	Guide, Use & Care English/French
	W10130990	Tech Sheet
2		Arm, Hinge
	8534854	Left
	8534853	Right
3	8564886	Stiffener, Door
4	W10073520	Insulation, Door
5		Access Panel
	8573255	Black
	8573256	White
6		Panel, Full Front (Includes Items 4, 10, 16 & 17)
	W10078003	Black
	W10078004	White
	W10137622	Stainless
7		Overlay
	W10077798	Black
	W10077799	White
	W10077801	Stainless
8		Toe Panel (Includes Items 11 & 18)
	8558252	Black
	8558253	White
9		Handle (Includes Item 14)
	W10083936	Black
	W10083937	White
	W10083935	Stainless
10	8564951	Stud, Mounting
11	W10073550	Insulation, Toe Panel
12		Screw
	302868	Black
	3400836	White
13	304392	Screw
14	8534008	Screw
15	3400071	Screw
16		Nameplate
	W10021860	Black
	W10021870	White
	W10021850	Stainless
17	2004333	Nut
18	8269016	Clip, Grounding

FOR ORDERING INFORMATION REFER TO PARTS PRICE LIST

# CONTROL PANEL PARTS

For Models: KUDU03STBL2, KUDU03STWH2, KUDU03STSS2  
 (Black) (White) (Stainless)

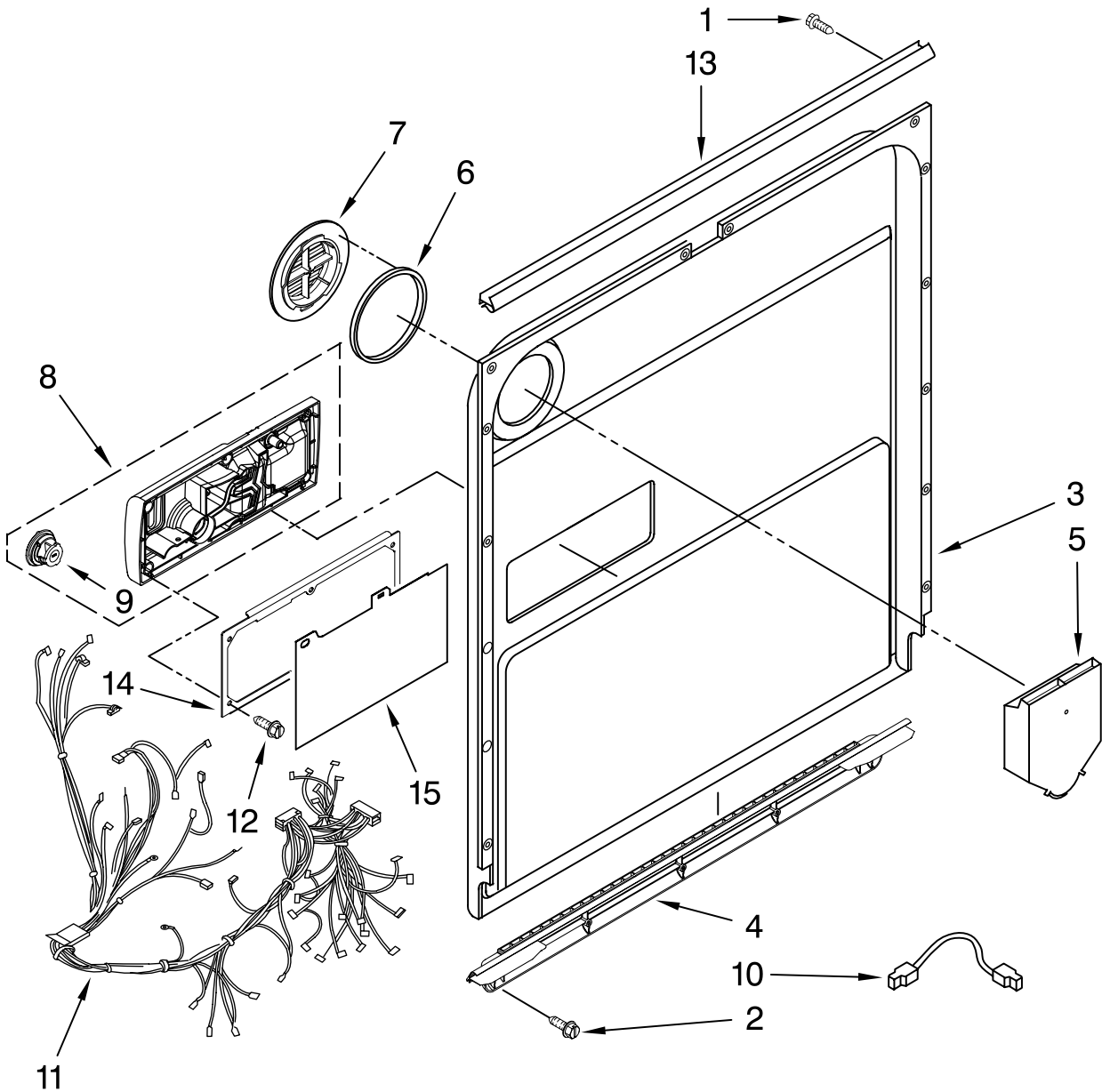


Illus. No.	Part No.	DESCRIPTION
1		Console Assembly (Includes Insert)
	W10084166	Black
	W10084167	White
	W10084168	Stainless
2	8531877	Cable, Ribbon
3	8546546	Clip, BI-Metal
4	W10134019	Switch, Door
5	8531873	Board, Interconnect
6	661663	BI-Metal
7	W10077360	Latch Assembly
8	3369051	Screw
9	W10084141	Control, Electronic

FOR ORDERING INFORMATION REFER TO PARTS PRICE LIST

# DOOR AND LATCH PARTS

For Models: KUDU03STBL2, KUDU03STWH2, KUDU03STSS2  
(Black) (White) (Stainless)



Illus. No.	Part No.	DESCRIPTION
1	3369051	Screw, Door
2	8281217	Screw
3	W10084288	Inner Door Mastic Assembly (Also Order Item 6)
4	W10077883	Inlet, Air
5	8572611	Vent Assembly (Also Order Item 6)

Illus. No.	Part No.	DESCRIPTION
6	8269259	Gasket, Vent
7	W10077877	Deflector, Vent (Also Order Item 6)
8	W10077882	Dispenser, Assembly
9	W10077881	Knob, Rinse Aid
10	8545608	Harness, Vent Motor

Illus. No.	Part No.	DESCRIPTION
11	W10078202	Wiring Harness
12	8281154	Screw
13	8535660	Seal, Console/door
14	8535637	Bracket, Dispenser
15	8531865	Shield, Dispenser

FOR ORDERING INFORMATION REFER TO PARTS PRICE LIST

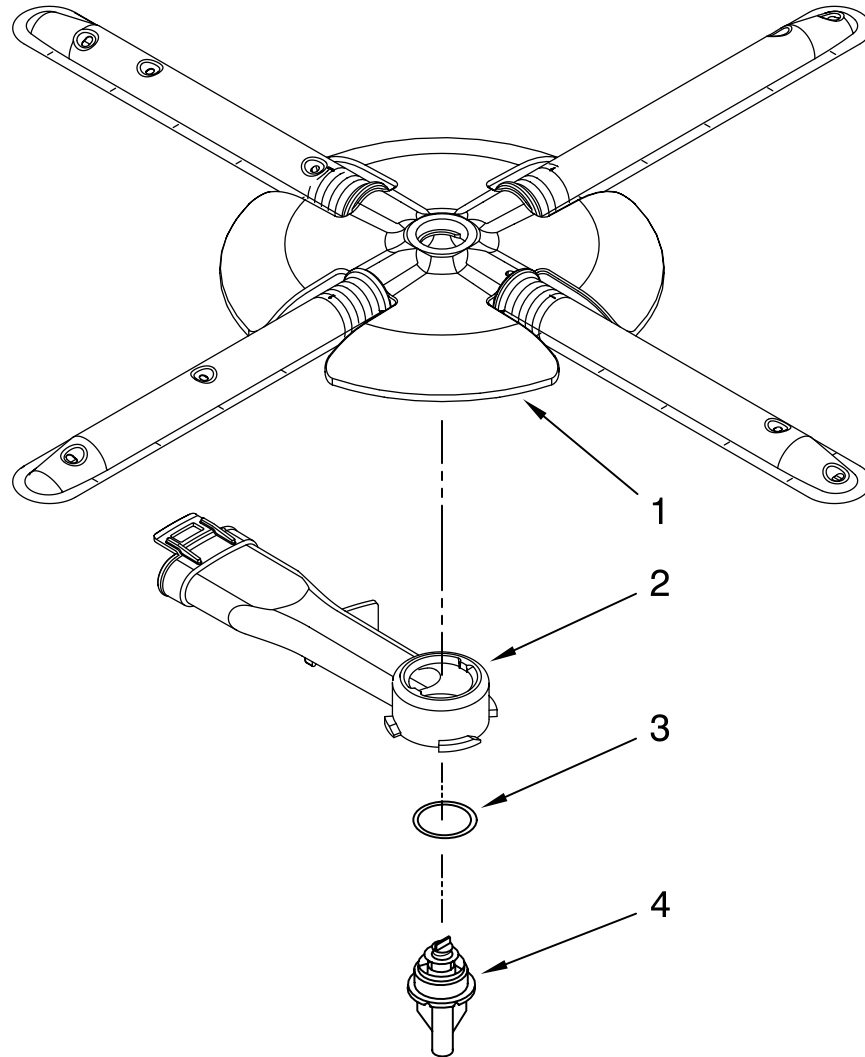
# LOWER WASHARM AND STRAINER PARTS

For Models: KUDU03STBL2, KUDU03STWH2, KUDU03STSS2

(Black)

(White)

(Stainless)

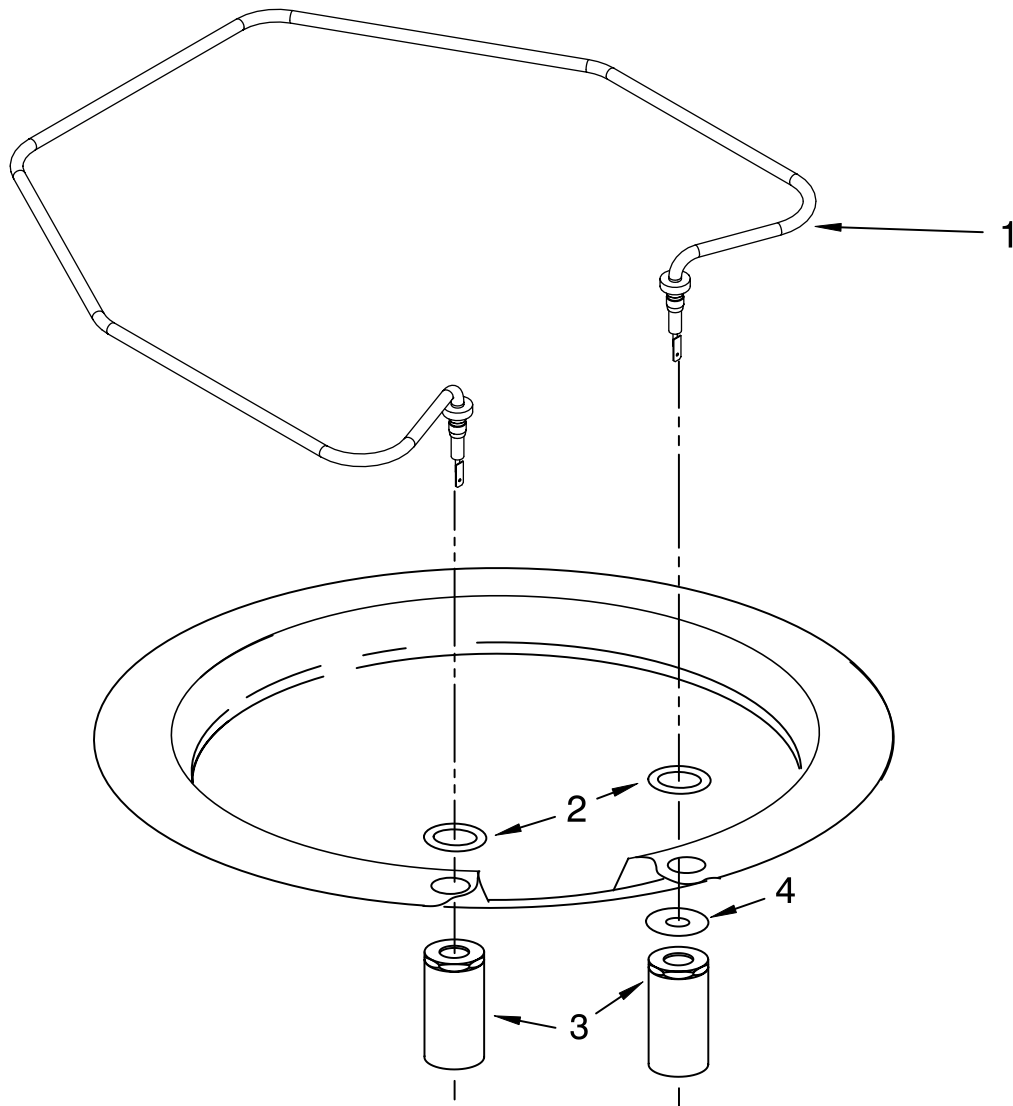


Illus. No.	Part No.	DESCRIPTION
1	W10077965	Wash Arm Assembly
2	W10077899	Cap, Internal Rear Feed (Also Order Item 3)
3	8268340	Seal, Sprayarm
4	W10077898	Hub, Lower Sprayarm (Also Order Item 3)

FOR ORDERING INFORMATION REFER TO PARTS PRICE LIST

# HEATER PARTS

For Models: KUDU03STBL2, KUDU03STWH2, KUDU03STSS2  
(Black) (White) (Stainless)



Illus. No.	Part No.	DESCRIPTION
1	8537057	Heater Element Assembly (Also Includes Item 2)
2	717273	Washer, Heater Element
3	8268548	Nut, Heater Element
4	3400931	Retainer, Spring Grip

**NOTE:** If heater element is removed, it must be replaced.

FOR ORDERING INFORMATION REFER TO PARTS PRICE LIST

# FILL, DRAIN AND OVERFILL PARTS

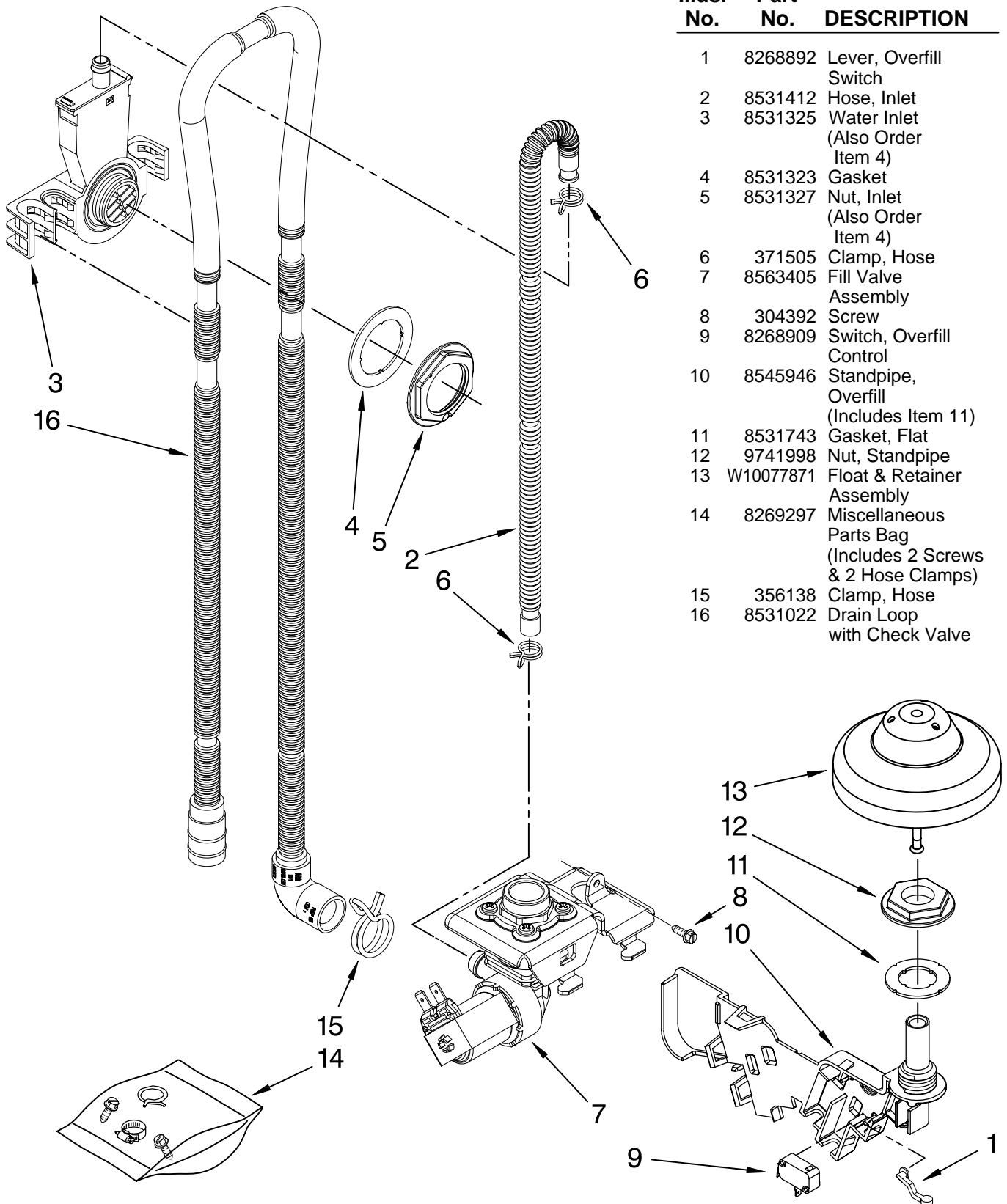
For Models: KUDU03STBL2, KUDU03STWH2, KUDU03STSS2

(Black)

(White)

(Stainless)

Illus. No.	Part No.	DESCRIPTION
1	8268892	Lever, Overfill Switch
2	8531412	Hose, Inlet
3	8531325	Water Inlet (Also Order Item 4)
4	8531323	Gasket
5	8531327	Nut, Inlet (Also Order Item 4)
6	371505	Clamp, Hose
7	8563405	Fill Valve Assembly
8	304392	Screw
9	8268909	Switch, Overfill Control
10	8545946	Standpipe, Overfill (Includes Item 11)
11	8531743	Gasket, Flat
12	9741998	Nut, Standpipe
13	W10077871	Float & Retainer Assembly
14	8269297	Miscellaneous Parts Bag (Includes 2 Screws & 2 Hose Clamps)
15	356138	Clamp, Hose
16	8531022	Drain Loop with Check Valve



FOR ORDERING INFORMATION REFER TO PARTS PRICE LIST

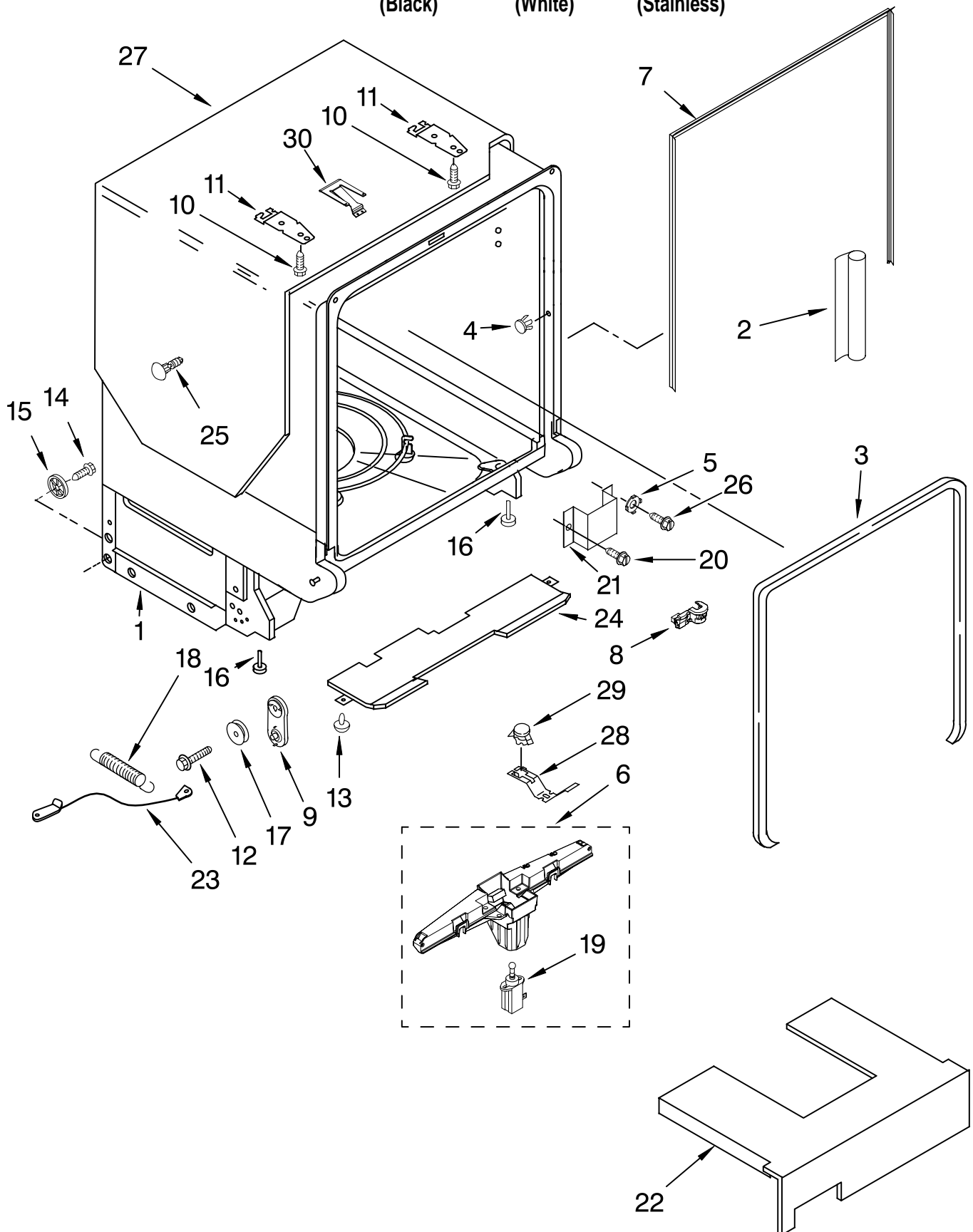
# TUB AND FRAME PARTS

For Models: KUDU03STBL2, KUDU03STWH2, KUDU03STSS2

(Black)

(White)

(Stainless)



FOR ORDERING INFORMATION REFER TO PARTS PRICE LIST

# TUB AND FRAME PARTS

For Models: KUDU03STBL2, KUDU03STWH2, KUDU03STSS2

(Black)

(White)

(Stainless)

Illus. No.	Part No.	DESCRIPTION
1	W10084284	Tub Assembly
2	8574123	Barrier, Moisture Undercounter
3	W10112096	Door Seal
4	W10082838	Plug Tub
5	3378128	Washer, Pronged Cup
6	8572661	Actuator, Assembly
7	8269110	Seal, Cabinet
8	8573061	Strain Relief
9	8270021	Mount, Door Balance
10	3367670	Screw
11	8269145	Bracket, Undercounter
12	3400074	Screw
13	3400924	Retainer, Push-in
14	3370389	Screw
15	8268977	Wheel Leg
16	8524584	Leveler, Leg
17	8524474	Wheel, Door Balance
18	8270020	Spring, Door Balance
19	W10082769	Motor, Wax
20	3400892	Screw
21	8268991	Cover, Terminal Box
22	8545574	Absorber, Sound
23	8535568	Link, Door Balance
24	8268587	Insulator, Sound
25	304666	Retainer, Push
26	3400014	Screw
27	8573239	Shield, Sound Tub
28	9742648	Bracket, Thermostat
29	661566	Thermostat
30	W10077370	Strike, Latch

FOR ORDERING INFORMATION REFER TO PARTS PRICE LIST



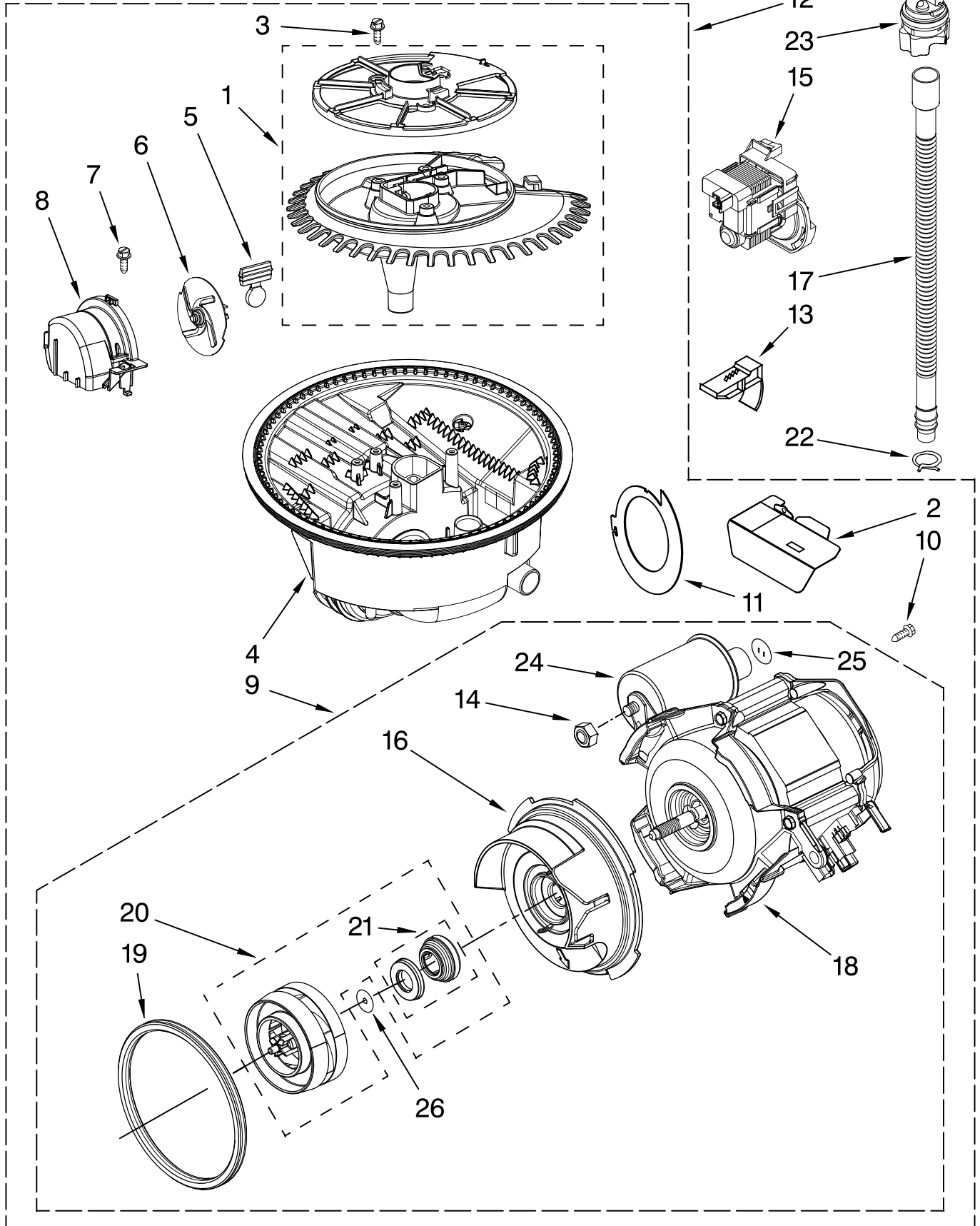
# PUMP AND MOTOR PARTS

For Models: KUDU03STBL2, KUDU03STWH2, KUDU03STSS2

(Black)

(White)

(Stainless)



FOR ORDERING INFORMATION REFER TO PARTS PRICE LIST

# PUMP AND MOTOR PARTS

For Models: KUDU03STBL2, KUDU03STWH2, KUDU03STSS2

(Black)

(White)

(Stainless)

<b>Illus. No.</b>	<b>Part No.</b>	<b>DESCRIPTION</b>
1	8534952	Accumulator Assy
2	8283527	Shield, Motor
3	3400069	Screw
4	8572618	Sump With Seal
5	8268375	Check Valve, Sump
6	W10083957	Chopper Assembly
7	9741232	Screw
8	8531857	Protector, Inlet
9	8535760	Motor Assembly
10	3400217	Screw
11	8268391	Screen, Separation
12	W10084107	Sump & Motor Assembly (Includes Item 13)
13	8269524	Tab, Sump
14	8533949	Nut
15	661662	Pump, Drain
16	8531019	Volute, Back (Also Order Items 21 & 26)
17	8269144	Hose, Drain
18	8535759	Motor
19	8268397	Seal, Volute
20	8531017	Impeller Kit
21	8268403	Face Seal Assembly (Also Order Item 26)
22	356138	Clamp, Hose
23	W10082647	Optical Water Indicator
24	8535474	Capacitor
25	8534946	Shield, Capacitor
26	8531018	Washer

FOR ORDERING INFORMATION REFER TO PARTS PRICE LIST

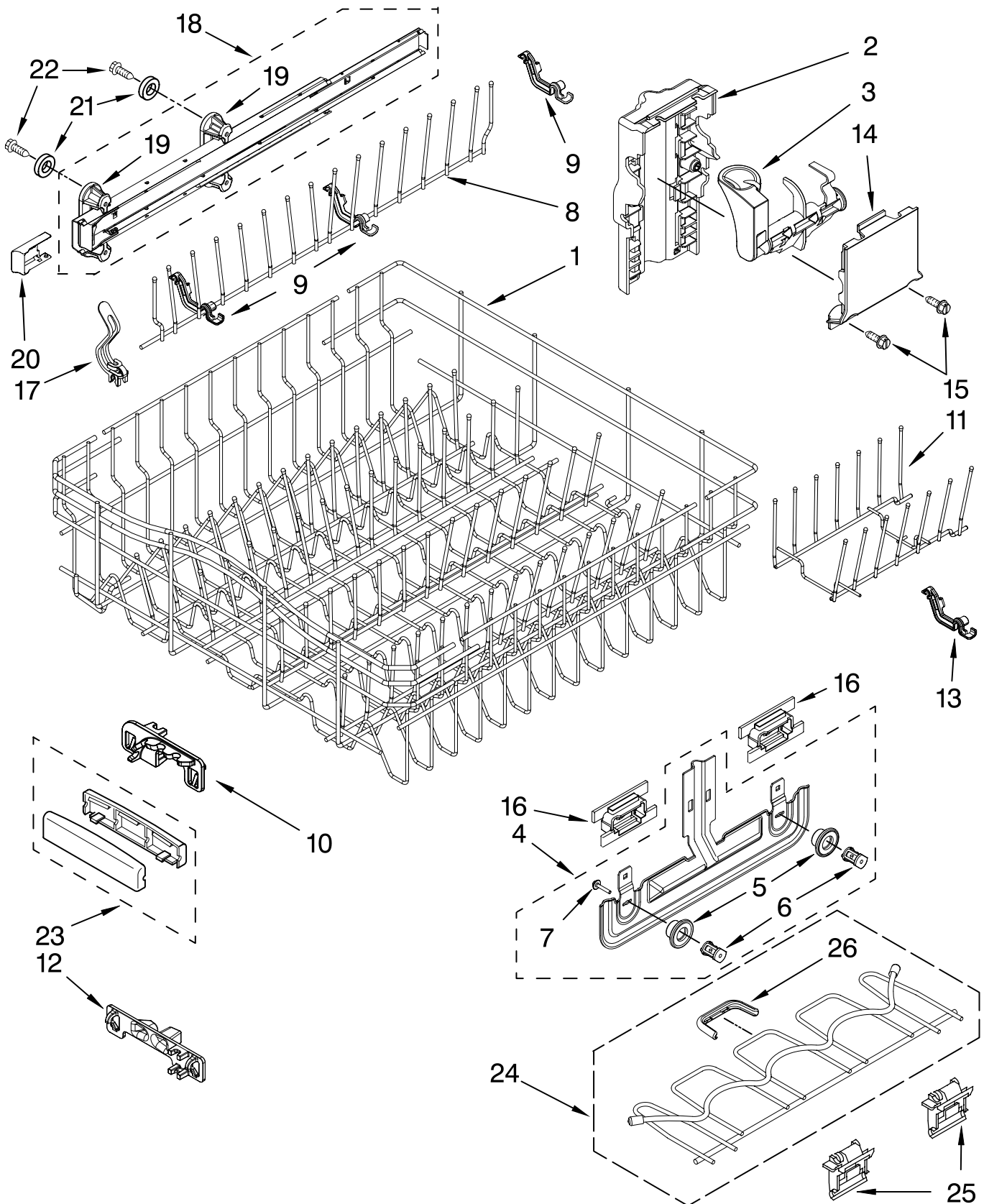
# UPPER RACK AND TRACK PARTS

For Models: KUDU03STBL2, KUDU03STWH2, KUDU03STSS2

(Black)

(White)

(Stainless)



FOR ORDERING INFORMATION REFER TO PARTS PRICE LIST

# UPPER RACK AND TRACK PARTS

For Models: KUDU03STBL2, KUDU03STWH2, KUDU03STSS2

(Black)

(White)

(Stainless)

Illus. No.	Part No.	DESCRIPTION
1	8561731	Dishrack, Upper
2	W10082839	Housing, Adjuster
3		Actuator, Adjuster
	W10077838	Right Hand
	W10077839	Left Hand
4	8268653	Adjuster Assembly
5	8270138	Wheel
6	8268703	Axel, Adjuster
7	8281156	Screw
8	8562030	Tine Row
9	W10082853	Clip, Pivot
10	8539103	Positioner, Multi
11	8539149	Insert, Fold Down Tines
12	8539102	Positioner, Dual
13	8539148	Clip, Insert Tines
14	W10082840	Cover, Adjuster
15	9741232	Retainer
16	W10082834	Positioner, Arm
17	W10077844	Clip, No-Flip
18		Track, Assembly
	W10077852	Right Hand
	W10077851	Left Hand (Also Order Item 21)
19	W10077876	Mount, Track (Also Order Item 21)
20		Stop, Track
	W10077848	Right
	W10077847	Left
21	9743002	Gasket, Bracket Mounting
22	3400072	Screw
23	8539110	Handle, Dishrack
24	W10077958	Cupshelf Assembly
25	8562026	Clip, Cupshelf
26	W10077843	Indicator, Cupshelf

FOR ORDERING INFORMATION REFER TO PARTS PRICE LIST

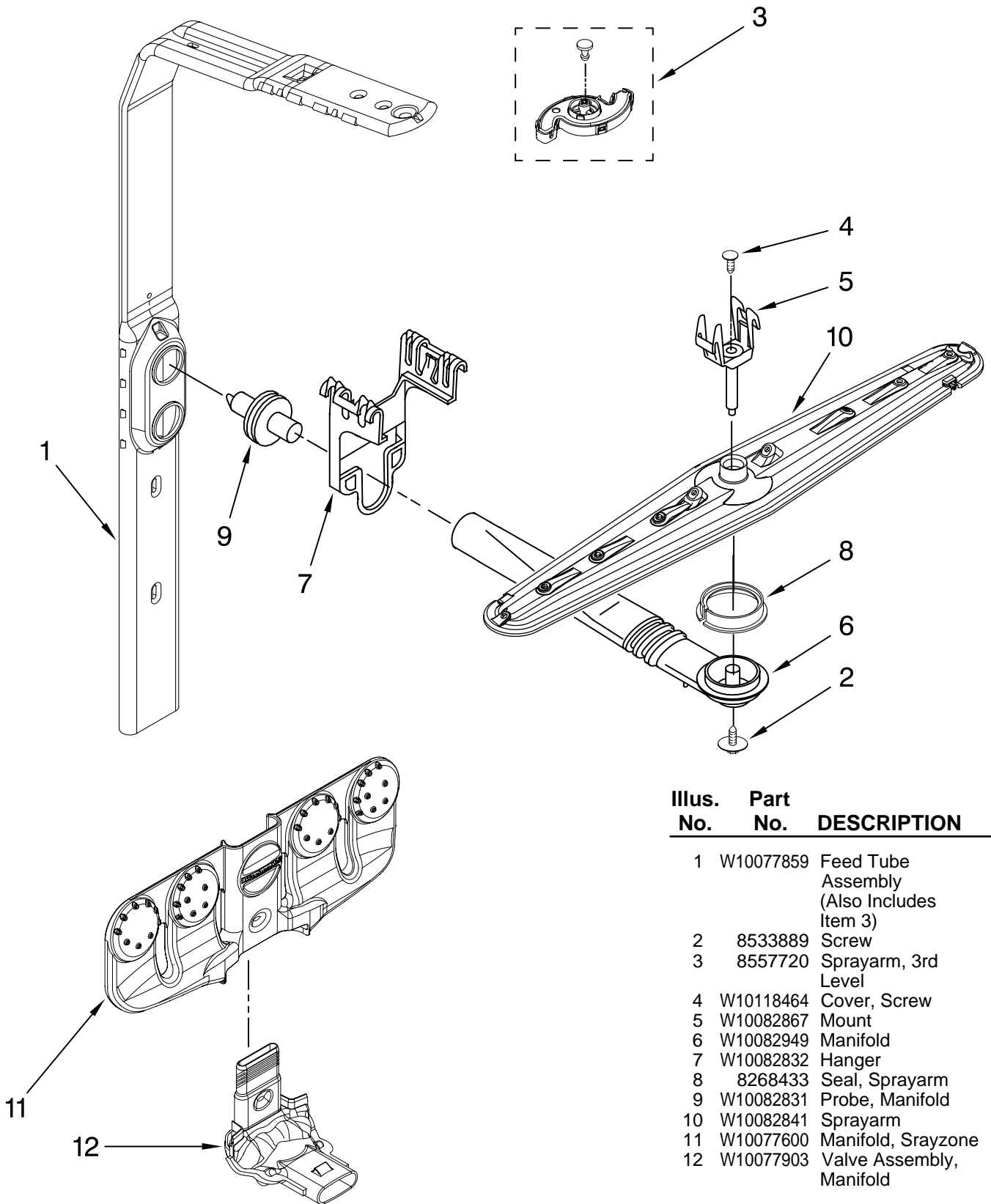
# UPPER WASH AND RINSE PARTS

For Models: KUDU03STBL2, KUDU03STWH2, KUDU03STSS2

(Black)

(White)

(Stainless)

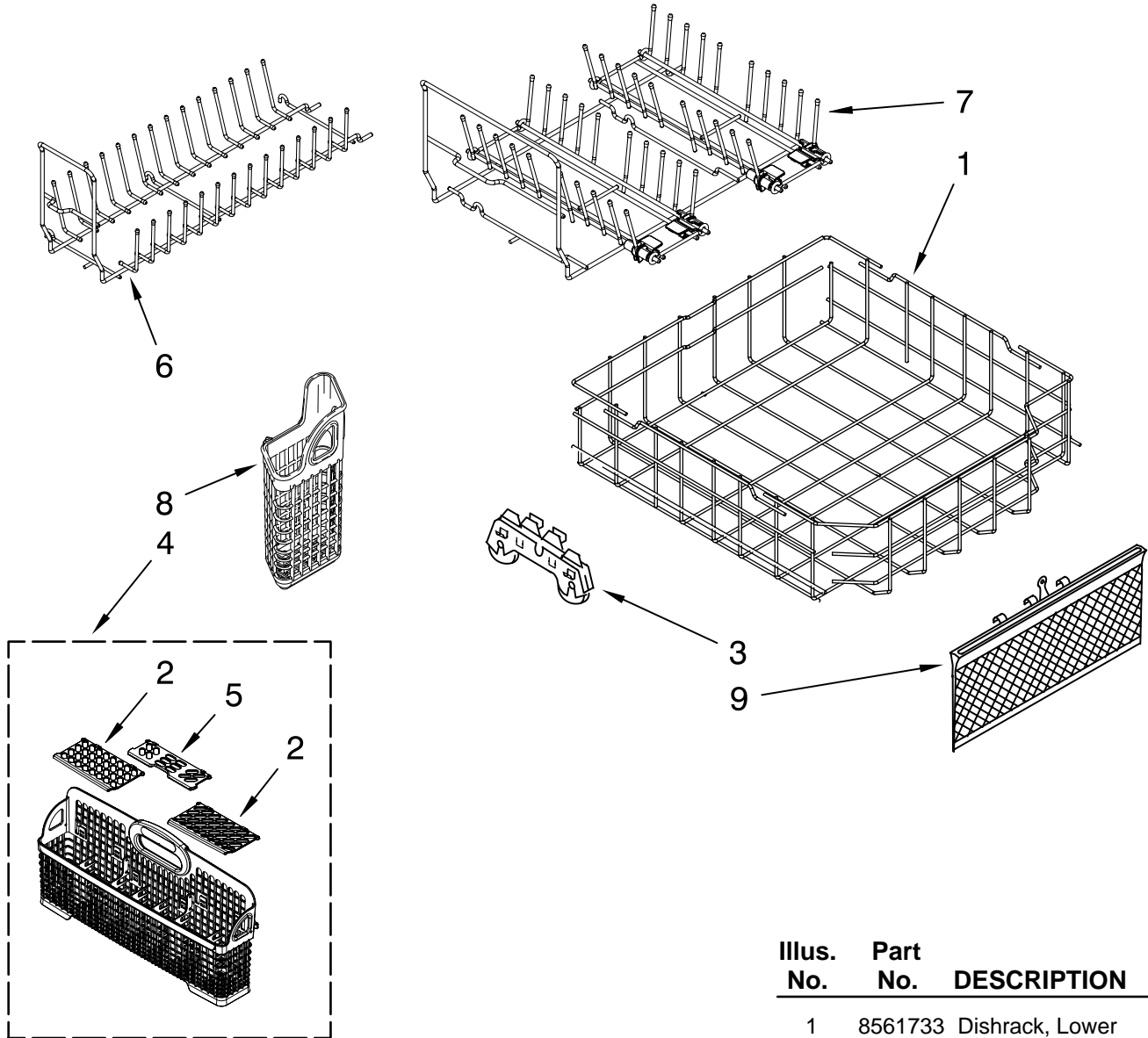


Illus. No.	Part No.	DESCRIPTION
1	W10077859	Feed Tube Assembly (Also Includes Item 3)
2	8533889	Screw
3	8557720	Sprayarm, 3rd Level
4	W10118464	Cover, Screw
5	W10082867	Mount
6	W10082949	Manifold
7	W10082832	Hanger
8	8268433	Seal, Sprayarm
9	W10082831	Probe, Manifold
10	W10082841	Sprayarm
11	W10077600	Manifold, Sprayzone
12	W10077903	Valve Assembly, Manifold

FOR ORDERING INFORMATION REFER TO PARTS PRICE LIST

# LOWER RACK PARTS

For Models: KUDU03STBL2, KUDU03STWH2, KUDU03STSS2  
 (Black) (White) (Stainless)



Illus. No.	Part No.	DESCRIPTION
1	8561733	Dishrack, Lower
2	8519695	Lid, Basket Silverware Left Side
	8519663	Right Side
3	W10082868	Wheel & Transport Assembly
4	8531282	Basket, Silverware
5	8519662	Lid, Basket Center
6	W10086370	Insert, Single
7	W10086340	Insert, Double
8	8519702	Basket, Utensil
9	8519716	Basket-Small Items

FOR ORDERING INFORMATION REFER TO PARTS PRICE LIST

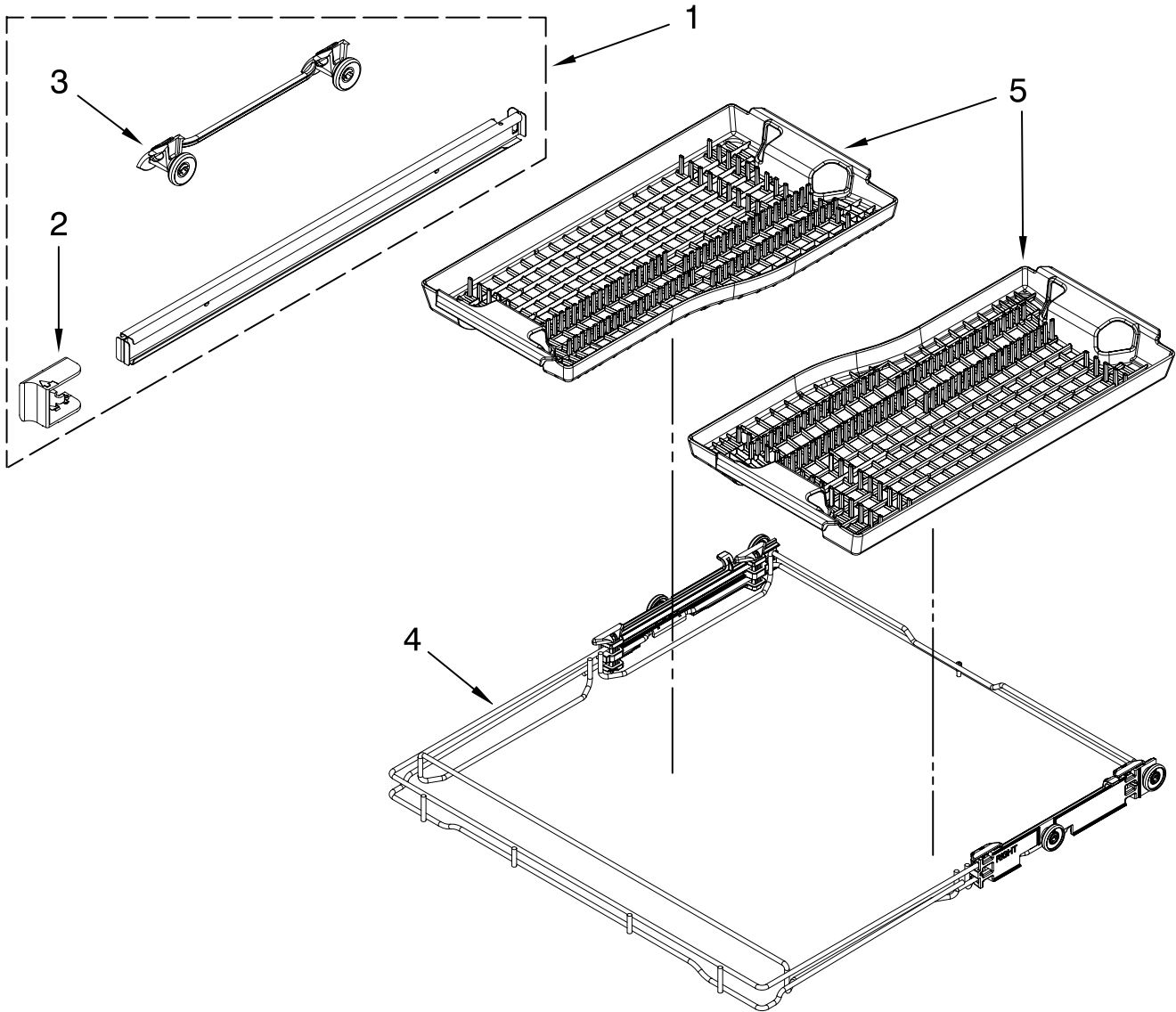
# THIRD LEVEL RACK AND TRACK PARTS

For Models: KUDU03STBL2, KUDU03STWH2, KUDU03STSS2

(Black)

(White)

(Stainless)



Illus. No.	Part No.	DESCRIPTION
1	W10077855	Track Right
	W10077856	Track Left
2	W10077854	Stop, Track
3	8564899	Mount, Track
4	8564900	Rack Assembly (Third Level)
5	8564901	Basket- TLR

FOR ORDERING INFORMATION REFER TO PARTS PRICE LIST

# OPTIONAL PARTS (NOT INCLUDED)

For Models: KUDU03STBL2, KUDU03STWH2, KUDU03STSS2

(Black)

(White)

(Stainless)

Illus. No.	Part No.	DESCRIPTION
<b>ACCESSORIES</b>		
	8171656	Side Panel Kits White
	8171657	Black
	8171658	Biscuit
	8171659	Stainless Steel
	8212489	Custom Panel & Trim Kit Black
	8573938	Towel Bar Handle Kit Stainless Steel
	3385556	Drain Hose 12 Ft.
	676453	Vinyl Touch-Up (4 oz.) White
	676455	Grey
	4396853	Silver Atlantis
	4396277	Moisture Barrier Kit Kit

Illus. No.	Part No.	DESCRIPTION
<b>PAINT, TOUCH-UP (1/2oz.)</b>		
	72017	White
	72032	Black
	4392899	Biscuit
	4396603	Meteorite
<b>PAINT, PRESSURIZED SPRAY (12 oz.)</b>		
	350930	White
	285006	Superior Black
	4392901	Biscuit

Illus. No.	Part No.	DESCRIPTION
<b>PAINT, BULK (1 qt.)</b>		
	799344	White (Uncut)
	4392900	Biscuit
<b>POWER CORD KIT</b>		
	4317824	Power Cord Kit (Includes Power Cord & Misc. Hardware)
<b>ANTI-TIP KIT</b>		
	8171477	Floor Mount Kit
<b>DISHRACK REPAIR</b>		
	4396838	White
	4396840	Grey
	4396854	Silver Atlantis

FOR ORDERING INFORMATION REFER TO PARTS PRICE LIST



## Free Manuals Download Website

<http://myh66.com>

<http://usermanuals.us>

<http://www.somanuals.com>

<http://www.4manuals.cc>

<http://www.manual-lib.com>

<http://www.404manual.com>

<http://www.luxmanual.com>

<http://aubethermostatmanual.com>

Golf course search by state

<http://golfingnear.com>

Email search by domain

<http://emailbydomain.com>

Auto manuals search

<http://auto.somanuals.com>

TV manuals search

<http://tv.somanuals.com>