

KitchenAid®

DISHWASHER

User Instructions

For questions about features, operation/performance, parts, accessories or service, call: **1-800-422-1230** or visit our website at www.kitchenaid.com

In Canada, for assistance, installation or service, call: **1-800-807-6777** or visit our website at www.KitchenAid.ca

LAVE-VAISSELLE

Instructions pour l'utilisateur

Au Canada, pour assistance, installation ou service, composez le **1-800-807-6777** ou visitez notre site web à www.KitchenAid.ca

Table of Contents / Table des matières

ASSISTANCE OR SERVICE	2	ASSISTANCE OU SERVICE	13
DISHWASHER SAFETY	2	SÉCURITÉ DU LAVE-VAISSELLE	13
DISHWASHER USE	4	UTILISATION DU LAVE-VAISSELLE	15
WASHING SPECIAL ITEMS	8	LAVAGE D'ARTICLES SPÉCIAUX	19
DISHWASHER CARE	9	ENTRETIEN DU LAVE-VAISSELLE	20
TROUBLESHOOTING	10	DÉPANNAGE	21
WARRANTY	12	GARANTIE	23



Save Water
no pre-rinsing
Économie d'eau
sans pré-rinçage

ASSISTANCE OR SERVICE

If you need assistance or service, first see the "Troubleshooting" section. Additional help is available by calling our Customer eXperience Center at **1-800-422-1230** from anywhere in the U.S.A., or write:

**KitchenAid Brand Home Appliances
Customer eXperience Center
553 Benson Road
Benton Harbor, MI 49022-2692**

In Canada, for installation and service call, **1-800-807-6777**, or write:

**Customer Interaction Centre
KitchenAid Canada
1901 Minnesota Court
Mississauga, Ontario L5N 3A7**

Information may also be obtained by visiting our website at **www.kitchenaid.com**.

In Canada, visit **www.KitchenAid.ca**.

Please include a daytime phone number in your correspondence.

Keep this book and your sales slip together for future reference. You must provide proof of purchase or installation date for in-warranty service.

Write down the following information about your appliance to help you obtain assistance or service if you ever need it. You will need to know your complete model number and serial number. You can find this information on the model and serial number label, located under the washer lid.

Dealer name _____

Serial number _____

Address _____

Phone number _____

Model number _____

Purchase date _____

DISHWASHER SAFETY

Your safety and the safety of others are very important.

We have provided many important safety messages in this manual and on your appliance. Always read and obey all safety messages.



This is the safety alert symbol.

This symbol alerts you to potential hazards that can kill or hurt you and others.

All safety messages will follow the safety alert symbol and either the word "DANGER" or "WARNING." These words mean:

⚠ DANGER

You can be killed or seriously injured if you don't immediately follow instructions.

⚠ WARNING

You can be killed or seriously injured if you don't follow instructions.

All safety messages will tell you what the potential hazard is, tell you how to reduce the chance of injury, and tell you what can happen if the instructions are not followed.

IMPORTANT SAFETY INSTRUCTIONS

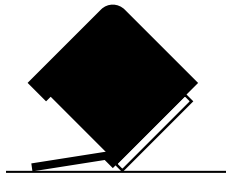
WARNING: When using the dishwasher, follow basic precautions, including the following:

- Read all instructions before using the dishwasher.
- Use the dishwasher only for its intended function.
- Use only detergents or rinse agents recommended for use in a dishwasher, and keep them out of the reach of children.
- When loading items to be washed:
 - 1) Locate sharp items so that they are not likely to damage the door seal; and
 - 2) Load sharp knives with the handles up to reduce the risk of cut-type injuries.
- Do not wash plastic items unless they are marked “dishwasher safe” or the equivalent. For plastic items not so marked, check the manufacturer's recommendations.
- Do not touch the heating element during or immediately after use.
- Do not operate the dishwasher unless all enclosure panels are properly in place.
- Do not tamper with controls.
- Do not abuse, sit on, or stand on the door, lid, or dish racks of the dishwasher.
- To reduce the risk of injury, do not allow children to play in or on the dishwasher.
- Under certain conditions, hydrogen gas may be produced in a hot water system that has not been used for two weeks or more. **HYDROGEN GAS IS EXPLOSIVE.** If the hot water system has not been used for such a period, before using the dishwasher turn on all hot water faucets and let the water flow from each for several minutes. This will release any accumulated hydrogen gas. As the gas is flammable, do not smoke or use an open flame during this time.
- Remove the door or lid to the washing compartment when removing an old dishwasher from service or discarding it.

SAVE THESE INSTRUCTIONS

Before Using Your Dishwasher

⚠ WARNING



Tip Over Hazard

Do not use dishwasher until completely installed.
Do not push down on open door.
Doing so can result in serious injury or cuts.

⚠ WARNING



Electrical Shock Hazard

Electrically ground dishwasher.
Connect ground wire to green ground connector in terminal box.
Do not use an extension cord.
Failure to follow these instructions can result in death, fire, or electrical shock.

- Install where dishwasher is protected from the elements. Protect against freezing to avoid possible rupture of fill valve. Such ruptures are not covered by the warranty. See “Storing” in the “Dishwasher Care” section for winter storage information.
- Install and level dishwasher on a floor that will hold the weight, and in an area suitable for its size and use.
- Remove all shipping plugs from hoses and connectors (such as the cap on the drain outlet) before installing. See Installation Instructions for complete information.

GROUNDING INSTRUCTIONS

■ For a grounded, cord-connected dishwasher:

The dishwasher must be grounded. In the event of a malfunction or breakdown, grounding will reduce the risk of electric shock by providing a path of least resistance for electric current. The dishwasher is equipped with a cord having an equipment-grounding conductor and a grounding plug. The plug must be plugged into an appropriate outlet that is installed and grounded in accordance with all local codes and ordinances.

WARNING: Improper connection of the equipment-grounding conductor can result in a risk of electric shock. Check with a qualified electrician or service representative if you are in doubt whether the dishwasher is properly grounded. Do not modify the plug provided with the dishwasher; if it will not fit the outlet, have a proper outlet installed by a qualified electrician.

■ For a permanently connected dishwasher:

The dishwasher must be connected to a grounded metal, permanent wiring system, or an equipment-grounding conductor must be run with the circuit conductors and connected to the equipment-grounding terminal or lead on the dishwasher.

SAVE THESE INSTRUCTIONS

DISHWASHER USE

Loading Suggestions

- Remove leftover food, bones, toothpicks and other hard items from the dishes. To conserve water, energy and save time, it is not necessary to rinse dishes before putting them into the dishwasher. The wash system removes food particles from the water. The system contains a chopping device which will reduce the size of food items.

NOTE: If hard items such as fruit seeds, nuts, and eggshells enter the wash module, you might hear chopping, grinding, crunching, or buzzing sounds. These sounds are normal when hard items enter the module. Do not let metallic items (such as pot handle screws) get into the wash module. Damage can occur.

- It is important for the water spray to reach all soiled surfaces.
- Load dishes so they are not stacked or overlapping if possible. For best drying, water must be able to drain from all surfaces.
- Load heavy pots and pans gently. Heavy items can dent the stainless steel interior of the door if they are dropped or bumped.
- Make sure pot lids and handles, pizza pans, cookie sheets, etc., do not interfere with the spray arm rotation.
- Conserve water, energy and save time by running a rinse cycle if you do not plan to wash dishes soon. Foods such as eggs, rice, pasta, spinach, and cooked cereals may be hard to remove if they are left to dry over a period of time.

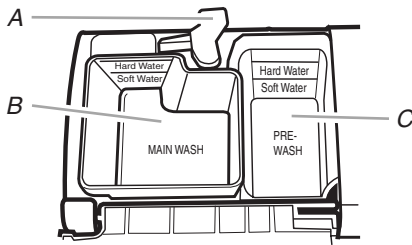
Quiet operating tips

To avoid thumping/clattering noises during operation:

- Make sure lightweight load items are secured in the racks.
- Make sure pot lids and handles, pizza pans, cookie sheets, etc., do not touch interior walls or interfere with the rotation of the spray arm.
- Load dishes so they do not touch one another.

Detergent Dispenser

The detergent dispenser has two sections. The smaller Pre-Wash section empties detergent into the dishwasher when you close the door. The larger Main Wash section automatically empties detergent into the dishwasher during the wash. (See the "Cycle Selections" in the Consumer Reference Guide.)



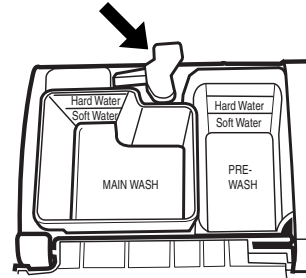
A. Cover latch
B. Main Wash section
C. Pre-Wash section

- Use automatic dishwashing detergent only. Other detergents can produce excessive suds that can overflow out of the dishwasher and reduce washing performance.
- Add detergent just before starting cycle.
- Store tightly closed detergent in a cool, dry place. Fresh automatic dishwasher detergent results in better cleaning.

NOTE: Do not use detergent with a rinse cycle.

Filling the dispenser

1. If the dispenser cover is closed, open the cover by moving the cover latch to the right.



2. Add the correct amount of detergent to the Main Wash section of the dispenser according to the chart below. If you are using a tablet detergent, it must be placed in the Main Wash section. (See "How much detergent to use.")
3. Add the correct amount of detergent to the Pre-Wash section of the dispenser, if needed, according to the chart below.
4. Close the dispenser cover.

It is normal for the cover to open partially when dispensing detergent.

NOTE: See the "Cycle Selections" in the Consumer Reference Guide for which section to fill depending on the cycle selected.

How much detergent to use

- The amount of detergent to use depends on the soil level of your dishes, hardness of your water, and the type of detergent. If you use too little, dishes will not be clean. If you use too much in soft water, glassware will etch.
- Water hardness can change over a period of time. If you do not know your water hardness, call us or your designated service center and ask for a free water hardness test strip, Part Number 4171690. For more information, see "Assistance or Service."

Detergent Dispenser fill recommendations per dish load, soil level and water hardness

Water Hardness	Light Soil or Prerinsed		Normal - Heavy Soil	
	Main Wash section	Pre-Wash section	Main Wash section	Pre-Wash section
Soft (0-2 grains per U.S. gallon)	4 tsp (20 mL) Fill to Soft Water line	Empty	6 tsp (30 mL) Fill above the Soft Water line	2 tsp (10 mL) Fill to Soft Water line
Medium (2-6 grains per U.S. gallon)	6 tsp (30 mL) Fill above the Soft Water line	2 tsp (10 mL) Fill to Soft Water line	6 tsp (30 mL) Fill above the Soft Water line	4 tsp (20 mL) Fill to Hard Water line
Hard (7 grains per U.S. gallon and above)	8 tsp (40 mL) Fill to Hard Water line	4 tsp (20 mL) Fill to Hard Water line	9 tsp (45 mL) Fill cup completely	7 tsp (35 mL) Fill cup completely

NOTE: Fill amounts shown are for standard powdered detergent. Amounts may vary if you use liquid or concentrated powdered detergent. Tablet detergents should be placed in the main wash section of the detergent dispenser with the cover closed. Follow instructions on the package when using liquid dishwasher detergent, concentrated powdered detergent or tablet detergent.

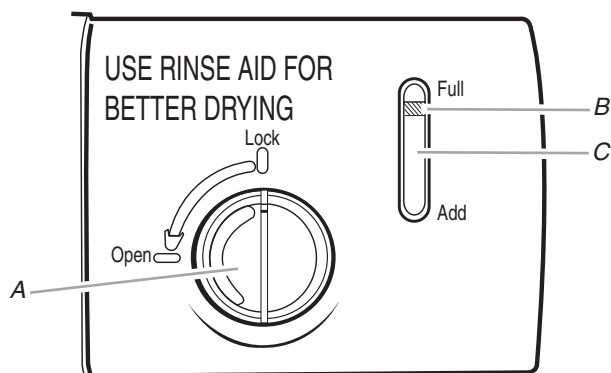
Rinse Aid Dispenser

IMPORTANT: Your dishwasher is designed to use a liquid rinse aid. The use of rinse aids greatly improves drying by allowing water to drain from the dishes after the final rinse. They also prevent water from forming droplets that can dry as spots or streaks. Do not use a solid or bar-type rinse aid.

Filling the dispenser

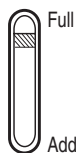
The rinse aid dispenser holds 5 oz (150 mL) of rinse aid. Under normal conditions, this will last for about 1 to 3 months.

1. Make sure the dishwasher door is fully open.
2. Turn the dispenser knob to "Open" and lift it out.



A. Dispenser knob
B. Indicator
C. Indicator window

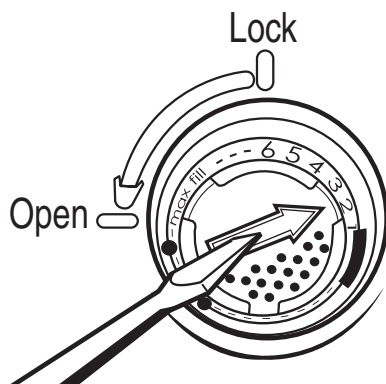
3. Pour rinse aid into the opening until the indicator points to "Full." Take care not to overfill. (When the rinse aid indicator drops to the "Add" level, add more rinse aid.)



4. Clean up any spilled rinse aid with a damp cloth.
5. Place the knob back into the opening and turn to the "Lock" position.

Rinse aid setting

The amount of rinse aid released into the final rinse can be adjusted. For most water conditions, the factory setting of 2 will give good results. If you have hard water or notice rings or calcium spots on your glasses or dishes, try a higher setting.



To adjust the setting

1. Remove the dispenser knob.
2. Turn the arrow adjuster inside the dispenser to the desired setting by either using your fingers or inserting a flat-blade screwdriver into the center of the arrow and turning.
3. Replace the dispenser knob.

Performance Tips

Hot water dissolves and activates the dishwashing detergent. Hot water also dissolves grease on dishes and helps glasses dry spot-free. Is the water temperature too low? For best dishwashing results, water should be 120°F (49°C) as it enters the dishwasher. Loads may not wash as well if the water temperature is too low. Water that is too hot can make some soils harder to remove and cause certain detergent ingredients not to function. If your water heater is located far from the dishwasher, it may be necessary to run the hot water at the faucet closest to the dishwasher to minimize the amount of cold water in the water line.

To check water temperature

1. Run hot water at the faucet closest to your dishwasher for at least 1 minute.
2. Place a candy or meat thermometer in a glass measuring cup.



3. Check the temperature on the thermometer as the water is running into the cup.

Additional efficiency tips

- To save water and energy and time, do not rinse dishes before putting them into the dishwasher.
- Choose the cycle that describes the most difficult soil in your dish load.
- Do not worry about mixed loads. Any item that is dishwasher safe can be washed using any cycle.
- Use a delay feature (on some models) to run your dishwasher during off-peak hours. Local utilities recommend avoiding heavy usage of energy at certain times of day.
- During the summer, run your dishwasher at night. This reduces daytime heat buildup in the kitchen.
- Use the heated dry option for best drying performance. Always use rinse aid.
- Use cycles or options that add extra heat to the wash or rinse portion of the cycle for better performance.
- Run your dishwasher with full loads. Run a rinse cycle after meals until the dishwasher is full.
- If your home is equipped with a water softener, you may want to avoid starting the dishwasher during the regeneration of the softener, since this may contribute to poor wash performance.

Wash System

The five-level wash system provides excellent cleaning results. Four levels of filtration and a soil collector system filter the wash water and prevent food particles from redepositing on the clean dishes.

- The wash water continuously flows through the Ultra-Fine filter, trapping food particles.
- Two water jets, located under the spray arm, remove the food particles from the Ultra-Fine filter.
- A coarse strainer prevents bones, pits, and other large objects from entering the pump system.

NOTE: Periodically check the coarse strainer and remove any objects on the strainer.

Sensor System

This dishwasher is equipped with an optical sensor wash that detects water temperature, soil and detergent amount. Wash cycles are adjusted based on what is sensed.

The dishwasher “senses” wash water quality during a series of pauses in the wash cycle. The sensor monitors water temperature and the amount of soil and detergent appearing in the wash water. It automatically adjusts the wash cycle for the best wash. Lightly soiled dishes will use less water and energy. Heavily soiled dishes will get more water, increased temperature and wash time. This dishwasher will automatically adjust the sensor approximately once a year to your water quality.

IMPORTANT: The very first wash cycle after installation in your home will be adjusted to include an additional 2 rinses. This cycle must not be interrupted for proper sensor adjustment. If this adjustment cycle is canceled or stopped before the Clean light comes on at the end of the cycle, the next wash cycle will repeat this sensor adjustment.

Sound System

The WHISPER QUIET® sound insulation system helps to maintain a quiet home environment during dishwasher operation.

NOTE: If you do not load dishes properly, the quiet operation of your dishwasher could be affected. (See “Loading” in the Consumer Reference Guide.)

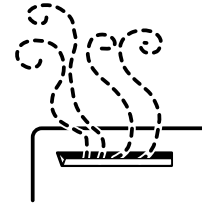
Drying System

NOTE: Your dishwasher has one of the vent systems shown below.

Located on the front left side of the door

During drying, you can see steam escaping through the vent at the upper left corner of the door. This is normal as the heat dries your dishes.

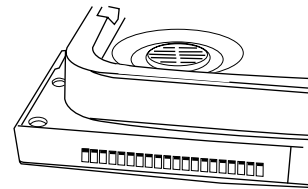
IMPORTANT: The vapor is hot. Do not touch the vent during drying.



Located on the top left side of the door

The active vent reduces the filling and washing sounds from your dishwasher. The vent closes, after the cycle starts, to lock in sound. After the cycle finishes and the dishes cool for several hours, the vent opens. This prevents any water vapor from collecting on the countertop. Between cycles, the vent stays open for airflow, reducing the buildup of odors.

NOTE: There is a slight noise when the vent closes or opens. This is normal.



Overfill Protection Float

The overfill protection float (in the front right corner of the dishwasher tub) keeps the dishwasher from overflowing. It must be in place for the dishwasher to operate.



Check under the float for objects that may keep the protector from moving up or down.

WASHING SPECIAL ITEMS

If you have doubts about washing a particular item, check with the manufacturer to see if it is dishwasher safe.

Material	Dishwasher Safe?/Comments
Aluminum	Yes High water temperature and detergents can affect finish of anodized aluminum.
Disposable Aluminum	No Do not wash throwaway aluminum pans in the dishwasher. These might shift during washing and transfer black marks to dishes and other items.
Bottles and Cans	No Wash bottles and cans by hand. Labels attached with glue can loosen and clog the spray arms or pump and reduce washing performance.
Cast Iron	No Seasoning will be removed, and iron will rust.
China/Stoneware	Yes Always check manufacturer's recommendations before washing. Antique, hand-painted, or over-the-glaze patterns may fade. Gold leaf can discolor or fade.
Crystal	Yes Always check manufacturer's recommendations before washing. Some types of leaded crystal can etch with repeated washing.
Gold	No Gold-colored flatware will discolor.
Glass	Yes Milk glass yellows with repeated dishwasher washing.
Hollow-Handle Knives	No Handles of some knives are attached to the blade with adhesives which can loosen if washed in the dishwasher.

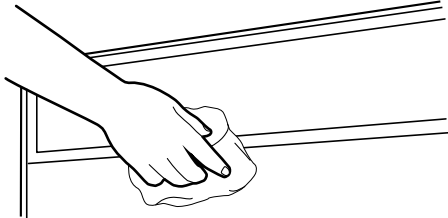
Material	Dishwasher Safe?/Comments
Pewter, Brass, Bronze	No High water temperatures and detergent can discolor or pit the finish.
Disposable Plastics	No Cannot withstand high water temperatures and detergents.
Plastics	Yes Always check manufacturer's recommendations before washing. Plastics vary in their capacity to withstand high temperatures and detergents. Load plastics in top rack only.
Stainless Steel	Yes Run a rinse cycle if not washing immediately. Prolonged contact with food containing salt, vinegar, milk products, or fruit juice can damage finish.
Sterling Silver or Silver Plate	Yes Run a rinse cycle if not washing immediately. Prolonged contact with food containing salt, acid, or sulfide (eggs, mayonnaise, and seafood) can damage finish.
Tin	No Can rust.
Wooden Ware	No Wash by hand. Always check manufacturer's instructions before washing. Untreated wood can warp, crack, or lose its finish.

DISHWASHER CARE

Cleaning

Cleaning the exterior

In most cases, regular use of a soft, damp cloth or sponge and a mild detergent is all that is necessary to keep the outside of your dishwasher looking nice and clean. If your dishwasher has a stainless steel exterior, a stainless steel cleaner is recommended.



Cleaning the interior

Hard water minerals can cause a white film to build up on the inside surfaces, especially just beneath the door area.

Do not clean the dishwasher interior until it has cooled. Wear rubber gloves. Do not use any type of cleanser other than dishwasher detergent because it may cause foaming or sudsing.

To clean interior

Make a paste with powdered dishwasher detergent on a damp sponge and clean.

OR

Use liquid automatic dishwasher detergent and clean with a damp sponge.

OR

See the vinegar rinse procedure in "Spotting and filming on dishes" in "Troubleshooting."

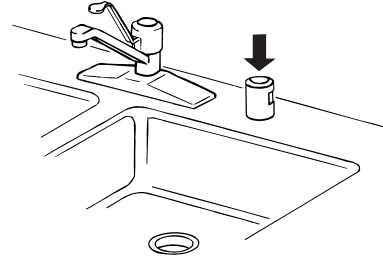
NOTE: Run a Normal cycle with detergent after cleaning the interior.

Drain Air Gap

Check the drain air gap anytime your dishwasher isn't draining well.

Some state or local plumbing codes require the addition of a drain air gap between a built-in dishwasher and the home drain system.

If a drain is clogged, the drain air gap protects your dishwasher from water backing up into it.



The drain air gap is usually located on top of the sink or countertop near the dishwasher. To order a drain air gap, call your local dealer; or call us or your designated service center and ask for Part Number 300096. For more information, see "Assistance or Service."

NOTE: The drain air gap is an external plumbing device that is not part of your dishwasher. The warranty provided with your dishwasher does not cover service costs directly associated with the cleaning or repair of the external drain air gap.

To clean the drain air gap

Clean the drain air gap periodically to ensure proper drainage of your dishwasher. Follow the cleaning instructions provided by the manufacturer. With most types, you lift off the chrome cover. Unscrew the plastic cap. Then check for any soil buildup. Clean if necessary.

Storing

Storing for the summer

Protect your dishwasher during the summer months by turning off the water supply and power supply to the dishwasher.

Winterizing your dishwasher

Protect your dishwasher and home against water damage due to freezing water lines. If your dishwasher is left in a seasonal dwelling or could be exposed to near freezing temperatures, have your dishwasher winterized by authorized service personnel.

TROUBLESHOOTING

First try the solutions suggested here and possibly avoid the cost of a service call...

Dishwasher is not operating properly

■ Dishwasher does not run or stops during a cycle

Is the door closed tightly and latched?

Is the right cycle selected? Refer to the “Cycle Selections” in the Consumer Reference Guide.

Is there power to the dishwasher? Has a household fuse blown, or has a circuit breaker tripped? Replace the fuse or reset the circuit breaker. If the problem continues, call an electrician.

Has the motor stopped due to an overload? The motor automatically resets itself within a few minutes. If it does not restart, call for service.

Is the water shutoff valve (if installed) turned on?

It is normal for certain cycles to repeatedly pause for several seconds during the main wash.

■ Clean light is flashing

The dishwasher has malfunctioned. Call for service to check heater circuit.

■ Dishwasher will not fill

Is the overflow protection float able to move up and down freely? Press down to release.

■ Dishwasher seems to run too long

Is the water supplied to the dishwasher hot enough? The dishwasher runs longer while heating water. Refer to the “Performance Tips” section.

A delay automatically occurs in some wash and rinse cycles until the water reaches the proper temperature.

■ Water remains in the dishwasher

Is the cycle complete?

■ Detergent remains in the covered section of the dispenser

Is the cycle complete?

Is the detergent lump-free? Replace detergent if necessary.

■ White residue on the front of the access panel

Was too much detergent used? Refer to the “Detergent Dispenser” section.

Is the brand of detergent making excess foam? Try a different brand to reduce foaming and eliminate buildup.

■ Odor in the dishwasher

Are dishes washed only every 2 or 3 days? Run a rinse cycle once or twice a day until you have a full load.

Does the dishwasher have a new plastic smell? Run a vinegar rinse as described in “Spotting and filming on dishes” later in this Troubleshooting guide.

■ Condensation on the kitchen counter (built-in models)

Is the dishwasher aligned with the countertop? Moisture from the vent in the dishwasher console can form on the counter. Refer to the Installation Instructions for more information.

Dishes are not completely clean

■ Food soil left on the dishes

Is the dishwasher loaded correctly? Refer to the “Loading” section in the Consumer Reference Guide.

Did you choose the cycle that describes the most difficult soil in your dishwasher? If you have some items with heavier soils, use a heavier cycle.

Is the water temperature too low? For best dishwashing results, water should be 120°F (49°C) as it enters the dishwasher. Refer to the “Performance Tips” section.

Did you use the correct amount of fresh detergent? Use recommended dishwasher detergents only. Refer to the “Detergent Dispenser” section. Do not use less than 1 tb (15 g) per load. Detergent must be fresh to be effective. Store detergent in a cool, dry area. Heavy soil and/or hard water generally require extra detergent.

Is detergent caked in dispenser? Use fresh detergent only. Do not allow detergent to sit for several hours in a wet dispenser. Clean dispenser when caked detergent is present.

Is the pump or spray arm clogged by labels from bottles and cans?

Is the home water pressure high enough for proper dishwasher filling? Home water pressure should be 20 to 120 psi (138 to 828 kPa) for proper dishwasher fill. If you have questions about your water pressure, call a licensed, qualified plumber.

Are high suds slowing the wash arm? Do not use soap or laundry detergents. Use recommended dishwasher detergents only.

Spots and stains on dishes

■ Spotting and filming on dishes

Is your water hard or is there a high mineral content in your water? Conditioning the final rinse water with a liquid rinse aid helps eliminate spotting and filming. Keep the rinse aid dispenser filled. Always use a high-temp option. If your water hardness is 13 grains or above, it is strongly recommended that you install a home water softener. If you do not wish to drink softened water, have the softener installed onto your hot water supply.

Is the water temperature too low? For best dishwashing results, water should be 120°F (49°C) as it enters the dishwasher. Refer to the “Performance Tips” section.

Did you use the correct amount of effective detergent? Use recommended dishwasher detergents only. Refer to the “Detergent Dispenser” section. Do not use less than 1 tb (15 g) per load. Detergent must be fresh to be effective. Store detergent in a cool, dry area. Heavy soil and/or hard water generally require extra detergent.

Is the home water pressure high enough for proper dishwasher filling? Home water pressure should be 20 to 120 psi (138 to 828 kPa) for proper dishwasher fill. If you have questions about your water pressure, call a licensed, qualified plumber.

NOTE: To remove spots and film from dishes, try a white vinegar rinse. This procedure is intended for occasional use only. Vinegar is an acid, and using it too often could damage your dishwasher.

1. Wash and rinse dishes. Use an air-dry or an energy saving dry option. Remove all silverware or metal items.
2. Put 2 cups (500 mL) white vinegar in a glass or dishwasher-safe measuring cup on the bottom rack.
3. Run the dishwasher through a complete washing cycle using an air-dry or an energy saving dry option. Do not use detergent. Vinegar will mix with the wash water.

■ **Silica film or etching (silica film is a milky, rainbow-colored deposit; etching is a cloudy film)**

Sometimes there is a water/chemical reaction with certain types of glassware. This is usually caused by some combination of soft or softened water, alkaline washing solutions, insufficient rinsing, overloading the dishwasher, and the heat of drying. It might not be possible to prevent the problem, except by hand washing.

To slow this process use a minimum amount of detergent but not less than 1 tb (15 g) per load. Use a liquid rinse aid and underload the dishwasher to allow thorough rinsing. Silica film and etching are permanent and cannot be removed. Do not use heated drying.

■ **White spots on cookware with nonstick finish**

Has the dishwasher detergent removed cookware seasoning? Reseason cookware after washing in the dishwasher.

■ **Brown stains on dishes and dishwasher interior**

Does your water have high iron content? Rewash dishes using 1-3 tsp (5-15 mL) of citric acid crystals added to the covered section of the detergent dispenser. Do not use detergent. Follow with a Normal wash cycle with detergent. If treatment is needed more often than every other month, the installation of an iron removal unit is recommended.

■ **Black or gray marks on dishes**

Are aluminum items rubbing dishes during washing? Disposable aluminum items can break down in the dishwasher and cause marking. Hand wash these items. Remove aluminum markings by using a mild abrasive cleaner.

■ **Orange stains on plastic dishes or dishwasher interior**

Are large amounts of tomato-based foods on dishes placed in the dishwasher? It may be necessary to use a stain removal product to remove stains from your dishwasher. Stains will not affect dishwasher performance.

Dishes do not dry completely

■ **Dishes are not dry**

Did you load your dishwasher to allow proper water drainage? Do not overload. Refer to the "Loading" section in the Consumer Reference Guide. Use a liquid rinse aid to speed drying.

Are the plastics wet? Plastics often need towel drying.

Is the rinse aid dispenser empty? Refer to the "Rinse Aid Dispenser" section.

Did you use an air-dry or energy-saving dry option? Use a heated drying option for dryer dishes.

Dishes are damaged during a cycle

■ **Chipping of dishes**

Did you load the dishwasher properly? Load the dishes and glasses so they are stable and do not strike together from washing action. Minimize chipping by moving the rack in and out slowly.

NOTE: Antiques, feather-edged crystal, and similar types of china and glassware might be too delicate for automatic dishwashing. Wash by hand.

Noises

■ **Grinding, grating, crunching or buzzing sounds**

A hard object has entered the wash module (on some models). When the object is ground up, the sound should stop. If the noise persists after a complete cycle, call for service.

KITCHENAID® DISHWASHER WARRANTY

ONE YEAR LIMITED WARRANTY

For one year from the date of purchase, when this major appliance is operated and maintained according to instructions attached to or furnished with the product, KitchenAid or KitchenAid Canada (hereafter "KitchenAid") will pay for factory specified parts and repair labor to correct defects in materials or workmanship. Service must be provided by a KitchenAid designated service company.

SECOND THROUGH FIFTH YEAR LIMITED WARRANTY ON CERTAIN COMPONENT PARTS

In the second through the fifth year from the date of purchase, when your major appliance is installed, operated and maintained according to instructions attached to or furnished with the product, KitchenAid will pay for factory specified parts for the following components if defective in materials or workmanship: nylon dish racks, wash and drain motor, electronic controls and heating element.

LIFETIME LIMITED WARRANTY ON STAINLESS STEEL TUB AND INNER DOOR

For the lifetime of the product from the date of purchase, when your major appliance is installed, operated and maintained according to instructions attached to or furnished with the product, KitchenAid will pay for factory specified parts and repair labor to correct defects in materials or workmanship. Service must be provided by a KitchenAid designated service company.

ITEMS KITCHENAID WILL NOT PAY FOR

1. Service calls to correct the installation of your major appliance, to instruct you how to use your major appliance, to replace or repair house fuses or to correct house wiring or plumbing.
 2. Service calls to repair or replace appliance light bulbs, air filters or water filters. Those consumable parts are excluded from warranty coverage.
 3. Repairs when your major appliance is used for other than normal, single-family household use.
 4. Damage resulting from accident, alteration, misuse, abuse, fire, flood, acts of God, improper installation, installation not in accordance with electrical or plumbing codes, or use of products not approved by KitchenAid.
 5. Replacement parts or repair labor costs for units operated outside the United States or Canada.
 6. Pickup and delivery. This major appliance is designed to be repaired in the home.
 7. Repairs to parts or systems resulting from unauthorized modifications made to the appliance.
 8. Expenses for travel and transportation for product service in remote locations.
 9. The removal and reinstallation of your appliance if it is installed in an inaccessible location or is not installed in accordance with published installation instructions.
-

DISCLAIMER OF IMPLIED WARRANTIES; LIMITATION OF REMEDIES

CUSTOMER'S SOLE AND EXCLUSIVE REMEDY UNDER THIS LIMITED WARRANTY SHALL BE PRODUCT REPAIR AS PROVIDED HEREIN. IMPLIED WARRANTIES, INCLUDING WARRANTIES OF MERCHANTABILITY OR FITNESS FOR A PARTICULAR PURPOSE, ARE LIMITED TO ONE YEAR OR THE SHORTEST PERIOD ALLOWED BY LAW. KITCHENAID SHALL NOT BE LIABLE FOR INCIDENTAL OR CONSEQUENTIAL DAMAGES. SOME STATES AND PROVINCES DO NOT ALLOW THE EXCLUSION OR LIMITATION OF INCIDENTAL OR CONSEQUENTIAL DAMAGES, OR LIMITATIONS ON THE DURATION OF IMPLIED WARRANTIES OF MERCHANTABILITY OR FITNESS, SO THESE EXCLUSIONS OR LIMITATIONS MAY NOT APPLY TO YOU. THIS WARRANTY GIVES YOU SPECIFIC LEGAL RIGHTS AND YOU MAY ALSO HAVE OTHER RIGHTS, WHICH VARY FROM STATE TO STATE OR PROVINCE TO PROVINCE.

Outside the 50 United States and Canada, this warranty does not apply. Contact your authorized KitchenAid dealer to determine if another warranty applies.

If you need service, first see the "Troubleshooting" section of the Use & Care Guide. After checking "Troubleshooting," additional help can be found by checking the "Assistance or Service" section or by calling KitchenAid. In the U.S.A., call **1-800-422-1230**. In Canada, call **1-800-807-6777**.

9/05

ASSISTANCE OU SERVICE

Si vous avez besoin d'assistance ou de service, consulter d'abord la section "Dépannage". On peut obtenir de l'aide supplémentaire en téléphonant au Centre pour l'eXpérience de la clientèle au **1-800-422-1230** de n'importe où aux É.-U., ou en écrivant à :

**KitchenAid Brand Home Appliances
Customer eXperience Center
553 Benson Road
Benton Harbor, MI 49022-2692**

Au Canada, pour installation et service, composez le **1-800-807-6777**, ou écrire à :

**Centre d'interaction avec la clientèle
KitchenAid Canada
1901 Minnesota Court
Mississauga, Ontario L5N 3A7**

Des informations peuvent également être obtenues en visitant notre site web sur **www.kitchenaid.com**.

Au Canada, visitez **www.KitchenAid.ca**.

Dans votre correspondance, veuillez indiquer un numéro de téléphone où l'on peut vous joindre dans la journée.

Conservez ce manuel et votre reçu de vente ensemble pour référence ultérieure. Pour le service sous garantie, vous devez présenter un document prouvant la date d'achat ou d'installation.

Inscrivez les renseignements suivants au sujet de votre appareil ménager pour vous aider à obtenir assistance ou service en cas de besoin. Vous devez connaître le numéro de modèle et le numéro de série au complet. Vous pouvez trouver cette information sur la plaque signalétique située sous le couvercle de la laveuse.

Nom du marchand _____

Numéro de série _____

Adresse _____

Numéro de téléphone _____

Numéro de modèle _____

Date d'achat _____

SÉCURITÉ DU LAVE-VAISSELLE

Votre sécurité et celle des autres est très importante.

Nous donnons de nombreux messages de sécurité importants dans ce manuel et sur votre appareil ménager. Assurez-vous de toujours lire tous les messages de sécurité et de vous y conformer.



Voici le symbole d'alerte de sécurité.

Ce symbole d'alerte de sécurité vous signale les dangers potentiels de décès et de blessures graves à vous et à d'autres.

Tous les messages de sécurité suivront le symbole d'alerte de sécurité et le mot "DANGER" ou "AVERTISSEMENT". Ces mots signifient :

! DANGER

Risque possible de décès ou de blessure grave si vous ne suivez pas immédiatement les instructions.

! AVERTISSEMENT

Risque possible de décès ou de blessure grave si vous ne suivez pas les instructions.

Tous les messages de sécurité vous diront quel est le danger potentiel et vous disent comment réduire le risque de blessure et ce qui peut se produire en cas de non-respect des instructions.

IMPORTANTES INSTRUCTIONS DE SÉCURITÉ

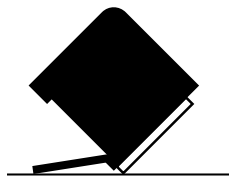
AVERTISSEMENT : Lors de l'utilisation du lave-vaisselle, suivre les précautions élémentaires dont les suivantes :

- Lire la totalité des instructions avant d'utiliser le lave-vaisselle.
- N'utiliser le lave-vaisselle que pour laver la vaisselle.
- Utiliser les détergents ou agents de rinçage recommandés pour lave-vaisselle et les garder hors de la portée des enfants.
- Lorsque vous chargez le lave-vaisselle :
 - 1) Placer les objets coupants de façon qu'ils ne puissent endommager le joint de la porte; et
 - 2) Placer les couteaux le manche vers le haut de façon à ne pas vous couper.
- Ne pas laver d'articles en plastique à moins qu'ils ne soient marqués "Peut aller au lave-vaisselle" ou l'équivalent. Si l'article ne porte aucune indication, vérifier auprès du fabricant.
- Ne pas toucher l'élément chauffant pendant le fonctionnement ou immédiatement après.
- Ne pas faire fonctionner le lave-vaisselle si tous les panneaux de l'enceinte ne sont pas en place.
- Ne pas jouer avec les commandes.
- Ne pas abuser, vous asseoir ni monter sur la porte, le couvercle ou les paniers du lave-vaisselle.
- Pour éviter tout risque d'accident, ne pas laisser les enfants jouer dans ou sur le lave-vaisselle.
- Sous certaines conditions, de l'hydrogène peut se former dans un réseau d'eau chaude inutilisé depuis deux semaines ou plus. L'HYDROGÈNE EST UN GAZ EXPLOSIBLE. Si le système d'eau chaude n'a pas été utilisé depuis un certain temps, laisser couler l'eau chaude des robinets pendant quelques minutes avant de faire fonctionner le lave-vaisselle. Cette mesure permettra à l'hydrogène de s'évaporer. Ce gaz étant inflammable, ne pas fumer ni utiliser de flamme nue pendant cette période.
- Enlever la porte ou le couvercle du compartiment de lavage lorsque vous remplacez ou mettez au rebut un vieux lave-vaisselle.

CONSERVEZ CES INSTRUCTIONS

Avant d'utiliser le lave-vaisselle

⚠ AVERTISSEMENT



Risque de basculement

Ne pas utiliser le lave-vaisselle jusqu'à ce qu'il soit complètement installé.

Ne pas appuyer sur la porte ouverte.

Le non-respect de ces instructions peut causer des blessures graves ou des coupures.

⚠ AVERTISSEMENT



Risque de choc électrique

Relier le lave-vaisselle à la terre d'une méthode électrique.

Brancher le fil relié à la terre au connecteur vert relié à la terre dans la boîte de la borne.

Ne pas utiliser un câble de rallonge.

Le non-respect de ces instructions peut causer un décès, un incendie ou un choc électrique.

- Installer le lave-vaisselle dans un endroit à l'abri des intempéries. Protéger l'appareil contre le gel pour éviter une rupture possible du robinet de remplissage. De telles ruptures ne sont pas couvertes par la garantie. Voir "Remisage" à la section "Entretien du lave-vaisselle" pour la préparation du remisage en hiver.
- Installer et niveler le lave-vaisselle sur un plancher qui pourra en supporter le poids, et dans un espace convenable pour ses dimensions et son utilisation.
- Enlever tous les bouchons d'expédition des tuyaux et des raccords (tel que le capuchon sur l'ouverture de vidange) avant l'installation. Voir les instructions d'installation pour des renseignements complets.

INSTRUCTIONS DE MISE À LA TERRE

■ Pour un lave-vaisselle relié à la terre, branché avec un cordon :

Le lave-vaisselle doit être relié à la terre. En cas d'un mauvais fonctionnement ou d'une panne, la mise à terre réduira le risque d'un choc électrique en fournissant le moins de résistance pour le courant électrique. Le lave-vaisselle est équipé d'un cordon avec un conducteur pour relier les appareils à la terre. La fiche doit être branchée sur une prise appropriée, installée et reliée à la terre conformément aux codes et règlements locaux.

AVERTISSEMENT : La connexion incorrecte du conducteur pour relier les appareils à la terre peut causer le risque de choc électrique. Vérifier avec un électricien compétent ou un représentant de service si vous avez des doutes si le lave-vaisselle est correctement relié à la terre. Ne pas modifier la fiche fournie avec le lave-vaisselle; si elle n'entre pas dans la prise, faire installer une prise appropriée par un électricien compétent.

■ Pour un lave-vaisselle branché en permanence :

Le lave-vaisselle doit être branché à un système d'installation électrique permanent en métal relié à la terre, ou un conducteur pour relier les appareils doit être relié avec les conducteurs du circuit et branché à une borne pour relier les appareils à la terre ou au cordon d'alimentation électrique avec le lave-vaisselle.

CONSERVEZ CES INSTRUCTIONS

UTILISATION DU LAVE-VAISSELLE

Suggestions de chargement

- Enlever de la vaisselle les restes alimentaires, os, cure-dents et autres articles durs. Pour conserver l'eau, l'énergie et gagner du temps, il n'est pas nécessaire de rincer la vaisselle avant de la placer dans le lave-vaisselle. Le système de lavage sépare les particules alimentaires de l'eau. Le système contient un dispositif de hachage qui réduit la grosseur des particules alimentaires.
REMARQUE : Si des articles durs tels que graines de fruits, noix et coquilles d'œufs pénètrent dans le module de lavage, il est possible que l'on entende des bruits de hachage, broyage ou bourdonnement. Ces bruits sont normaux lorsque des articles durs pénètrent dans le module. Éviter que des articles métalliques (tels que des vis de poignées de casserole) pénètrent dans le module de lavage. Des dommages peuvent en résulter.
- Il est important que le jet d'eau atteigne toutes les surfaces sales.
- Si possible, charger la vaisselle de telle sorte qu'elle ne soit pas empilée ou en chevauchement. Pour le meilleur résultat de séchage, l'eau doit pouvoir s'écouler de toutes les surfaces.
- Charger les casseroles lourdes avec précaution. Les articles lourds peuvent bosseler l'intérieur en acier inoxydable de la porte s'ils sont échappés ou frappés.
- S'assurer que les couvercles et poignées de casseroles, plaques à pizza ou à biscuits, etc. n'entravent pas la rotation du bras d'aspersion.
- Si vous ne prévoyez pas de laver la vaisselle prochainement, effectuer un programme de rinçage pour gagner du temps et économiser de l'eau et de l'énergie. Les aliments tels que les œufs, riz, pâtes alimentaires, épinards et céréales cuites peuvent être difficiles à enlever si on les laisse sécher pendant quelque temps.

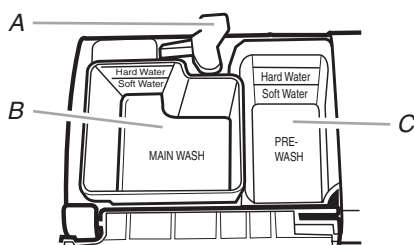
Conseils de fonctionnement silencieux

Pour éviter les bruits de choc et d'entrechoc durant le fonctionnement :

- S'assurer que les articles légers sont bien retenus dans les paniers.
- S'assurer que les couvercles et poignées de casseroles, plaques à pizza et à biscuits, etc. ne touchent pas les parois intérieures ou n'entravent pas la rotation du bras d'aspersion.
- Charger la vaisselle pour que les articles ne se touchent pas les uns les autres.

Distributeur de détergent

Le distributeur de détergent comporte 2 sections. La section plus petite du prélavage vide le détergent dans le lave-vaisselle lors de la fermeture de la porte. La partie plus grande pour le lavage principal vide automatiquement le détergent dans le lave-vaisselle au cours du programme de lavage. (Voir les "Sélection de programmes" dans le Guide de référence pour le consommateur.)



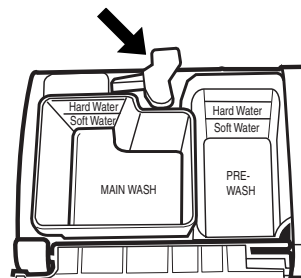
A. Loquet du couvercle
B. Section du lavage principal
C. Section du prélavage

- Utiliser uniquement du détergent pour lave-vaisselle automatique. Les autres détergents peuvent produire une mousse excessive qui risque de déborder du lave-vaisselle et réduire la performance de lavage.
- Verser le détergent juste avant de mettre le lave-vaisselle en marche.
- Conserver le récipient du détergent bien fermé dans un lieu sec et frais. Pour l'obtention de meilleurs résultats, un détergent à lave-vaisselle automatique frais est meilleur.

REMARQUE : Ne pas utiliser de détergent avec un programme de rinçage.

Remplissage du distributeur

1. Si le couvercle du distributeur est fermé, l'ouvrir en déplaçant le loquet du couvercle vers la droite.



2. Verser la quantité adaptée de détergent dans la section de lavage principal du distributeur en vous référant au tableau ci-dessous. En cas d'utilisation de détergent en pastilles, celles-ci doivent être placées dans la section de lavage principal. (Voir "Quantité de détergent à utiliser".)
3. Si nécessaire, verser la quantité adaptée de détergent dans la section de prélavage du distributeur en vous référant au tableau ci-dessous.
4. Fermer le couvercle du distributeur.

Il est normal que le couvercle s'ouvre partiellement lors de la distribution du détergent.

REMARQUE : Voir les "Sélection de programmes" dans le Guide de référence pour le consommateur pour savoir quelle section remplir selon le programme sélectionné.

Quantité de détergent à utiliser

- La quantité de détergent à utiliser dépend du degré de saleté de la vaisselle, de la dureté de l'eau et du type de détergent. Si on n'utilise pas assez de détergent, la vaisselle ne sera pas parfaitement lavée. Si on utilise trop de détergent dans une eau douce, la solution attaquera les articles en verre.
- La dureté de l'eau peut changer au cours d'une période de temps. Si on ne connaît pas la dureté de l'eau, nous contacter ou appeler le centre de service désigné le plus proche et demander une bande de test de la dureté de l'eau, numéro de pièce 4171690. Pour plus de renseignements, voir "Assistance ou service".

Recommandations pour le remplissage du distributeur de détergent en fonction du degré de saleté de la charge de vaisselle et de la dureté de l'eau

Dureté de l'eau	Vaisselle légèrement sale ou pré rincée		Vaisselle normalement sale à très sale	
	Section de lavage principal	Section de prélavage	Section de lavage principal	Section de prélavage
Eau douce (0 à 2 grains par gallon U.S.)	4 c. à thé (20 mL) Remplir jusqu'à la ligne Soft Water (eau douce)	Vide	6 c. à thé (30 mL) Remplir au-dessus de la ligne Soft Water (eau douce)	2 c. à thé (10 mL) Remplir jusqu'à la ligne Soft Water (eau douce)
Moyenne (2 à 6 grains par gallon U.S.)	6 c. à thé (30 mL) Remplir au-dessus de la ligne Soft Water (eau douce)	2 c. à thé (10 mL) Remplir jusqu'à la ligne Soft Water (eau douce)	6 c. à thé (30 mL) Remplir au-dessus de la ligne Soft Water (eau douce)	4 c. à thé (20 mL) Remplir jusqu'à la ligne Hard Water (eau dure)
Eau dure (7 grains par gallon U.S. et plus)	8 c. à thé (40 mL) Remplir jusqu'à la ligne Hard Water (eau dure)	4 c. à thé (20 mL) Remplir jusqu'à la ligne Hard Water (eau dure)	9 c. à thé (45 mL) Remplir complètement	7 c. à thé (35 mL) Remplir complètement

REMARQUE : Les quantités indiquées correspondent à l'emploi d'un détergent en poudre standard. La quantité peut varier si on utilise un détergent en poudre concentré ou un détergent liquide. Les détergents en pastilles doivent être ajoutés à la section de lavage principal du distributeur de détergent avec le couvercle fermé. Lors de l'utilisation d'un détergent en poudre concentré, d'un détergent liquide ou d'un détergent en pastilles, procéder conformément aux instructions indiquées sur l'emballage.

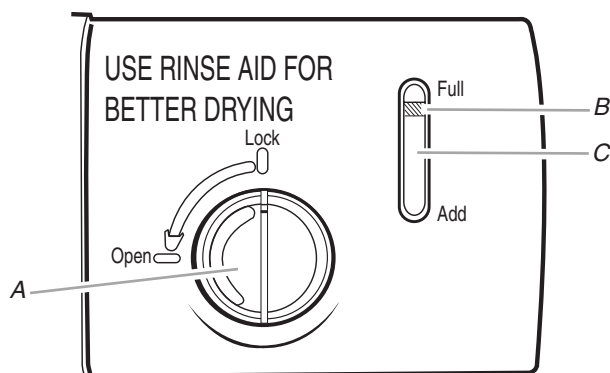
Distributeur d'agent de rinçage

IMPORTANT : Votre lave-vaisselle est conçu pour utiliser un agent de rinçage liquide. L'utilisation des agents de rinçage améliore nettement le séchage en permettant à l'eau de s'écouler de la vaisselle après le rinçage final. Ils empêchent aussi l'eau de former des gouttelettes qui peuvent sécher en laissant des taches ou coulées. Ne pas utiliser un agent de rinçage solide ou en forme de barre.

Remplissage du distributeur

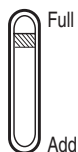
La capacité du distributeur d'agent de rinçage est de 5 oz (150 mL). Dans des conditions normales, cette quantité devrait durer 1 à 3 mois environ.

1. S'assurer que la porte du lave-vaisselle est complètement ouverte.
2. Tourner le bouton du distributeur à "Open" (ouvert) et le soulever.



A. Bouton du distributeur
B. Indicateur
C. Fenêtre de l'indicateur

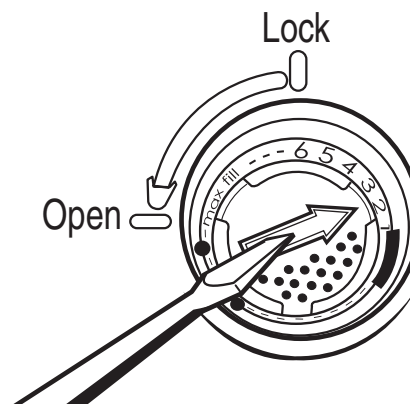
3. Verser l'agent de rinçage dans l'ouverture jusqu'à ce que l'indicateur soit sur "Full" (plein). Prendre soin de ne pas trop remplir. (Lorsque l'indicateur atteint le niveau marqué "Add", ajouter de l'agent de rinçage.)



4. Absorber tout agent de rinçage renversé avec un chiffon humide.
5. Remettre le bouton du distributeur dans l'ouverture et le tourner à la position "Lock" (verrouillée).

Réglage de la quantité d'agent de rinçage

Il est possible de régler la quantité d'agent de rinçage libéré lors du rinçage final. Pour une majorité de types d'eau, le réglage effectué à l'usine à 2 donnera de bons résultats. En cas d'eau dure ou d'observation d'anneaux ou dépôts de calcaire sur les verres et la vaisselle, essayer un réglage plus élevé.



Ajustement du réglage

1. Enlever le bouton du distributeur.
2. Tourner l'ajusteur à flèche à l'intérieur du distributeur à la position désirée, soit à la main, soit en insérant un tournevis à lame plate au centre de la flèche et en tournant.
3. Replacer le bouton du distributeur.

Conseils de performance

L'eau chaude dissout et active le détergent à vaisselle. L'eau chaude dissout également la graisse sur la vaisselle et contribue au séchage des verres sans taches. La température de l'eau est-elle trop basse? Pour les meilleurs résultats de lavage, l'eau devrait être à 120°F (49°C) à son entrée dans le lave-vaisselle. Les charges peuvent ne pas être lavées aussi bien si la température de l'eau est trop basse. L'eau trop chaude peut rendre certaines saletés plus difficiles à enlever et empêcher certains ingrédients du détergent de faire effet. Si le chauffe-eau se trouve loin du lave-vaisselle, il peut être nécessaire de faire couler l'eau chaude au robinet le plus près du lave-vaisselle pour minimiser la quantité d'eau froide dans la canalisation d'eau.

Contrôle de la température de l'eau

1. Laisser couler l'eau chaude par le robinet le plus proche du lave-vaisselle pendant au moins 1 minute.
2. Placer un thermomètre à viande ou à confiserie dans une tasse à mesurer en verre.



3. Vérifier la température sur le thermomètre pendant que l'eau coule dans la tasse.

Conseils d'efficacité supplémentaires

- Pour économiser de l'eau, de l'énergie et du temps, ne pas rincer la vaisselle avant de la placer dans le lave-vaisselle.
- Choisir le programme qui correspond aux saletés les plus difficiles de votre charge.
- Ne pas s'inquiéter des charges mixtes; tout article lavable au lave-vaisselle peut être lavé dans n'importe quel programme.
- Utiliser la caractéristique de mise en marche différée (sur certains modèles) pour faire fonctionner votre lave-vaisselle en dehors des heures de pointe. Les services publics locaux recommandent d'éviter l'emploi intense d'énergie à certaines heures du jour.

- Durant l'été, faire fonctionner le lave-vaisselle en soirée pour réduire l'accumulation de chaleur dans la cuisine durant la journée.
- Utiliser l'option de séchage chauffé pour la meilleure performance de séchage. Toujours utiliser un agent de rinçage.
- Utiliser les programmes ou les options qui apportent un supplément de chaleur à la portion de lavage ou de rinçage du programme pour une meilleure performance.
- Utiliser le lave-vaisselle avec des charges complètes. Utiliser un programme de rinçage après les repas jusqu'à ce que le lave-vaisselle soit plein.
- Si votre domicile est équipé d'un adoucisseur d'eau, vous voudrez peut-être éviter de mettre le lave-vaisselle en marche durant la régénération de l'adoucisseur, laquelle pourrait entraîner une mauvaise performance de lavage.

Système de lavage

Le système de lavage à cinq niveaux donne d'excellents résultats de lavage. Un système de quatre niveaux de filtration et un système de rétention des débris filtrent l'eau de lavage et empêchent les particules alimentaires de se redéposer sur la vaisselle propre.

- Le filtre ultra-fin assure en permanence la filtration de l'eau de lavage et retient les particules alimentaires.
- Les particules alimentaires sont enlevées du filtre ultra-fin par deux jets d'eau situés sous le bras d'aspersion.
- Une crépine à gros débris retient les objets de grande taille comme les os, noyaux et autres gros objets, et les empêche de pénétrer dans le système de pompage.

REMARQUE : On doit périodiquement inspecter la crépine pour enlever les articles qui s'y trouvent.

Système de détection

Ce lave-vaisselle est équipé d'un capteur optique qui détecte la température de l'eau, le degré de saleté et la quantité de détergent. Les programmes de lavage sont ajustés sur la base de ce qui est détecté.

Le lave-vaisselle "détecte" la qualité de l'eau de lavage au cours d'une série de pauses dans le programme de lavage. Le capteur contrôle la température de l'eau, le degré de saleté et la quantité de détergent détectés dans l'eau de lavage. Il ajuste automatiquement le programme de lavage pour un lavage optimal. Une vaisselle légèrement sale utilisera moins d'eau et moins d'énergie. La vaisselle très sale nécessitera davantage d'eau et la température et la durée de lavage augmenteront. Ce lave-vaisselle ajustera automatiquement le capteur à la qualité de votre eau environ une fois par an.

IMPORTANT : Le tout premier programme de lavage suivant l'installation à votre domicile sera ajusté pour comporter 2 rinçages supplémentaires. Pour un ajustement correct du capteur, ce programme ne doit pas être interrompu. Si ce programme d'ajustement est annulé ou arrêté avant l'allumage du témoin Clean (propre) à la fin du programme, le programme de lavage suivant répétera l'opération d'ajustement du capteur.

Système d'insonorisation

Le système d'insonorisation WHISPER QUIET® aide à maintenir un environnement calme lors du fonctionnement du lave-vaisselle.

REMARQUE : Si vous ne chargez pas la vaisselle correctement, le fonctionnement silencieux de votre lave-vaisselle pourrait être affecté. (Voir "Chargement" dans le Guide de référence pour le consommateur.)

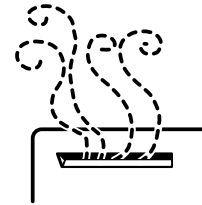
Système de séchage

REMARQUE : Votre lave-vaisselle dispose d'un des systèmes de ventilation illustrés ci-dessous.

Situé sur le côté avant à gauche de la porte

Durant le séchage, vous pouvez voir de la vapeur s'échapper par l'évent du coin supérieur gauche de la porte. Ceci est normal car la chaleur sèche la vaisselle.

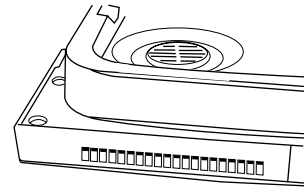
IMPORTANT : La vapeur est chaude. Ne pas toucher l'évent lors du séchage.



Situé sur le côté supérieur gauche de la porte

L'évent actif réduit les bruits de remplissage et de lavage du lave-vaisselle. L'évent se ferme après la mise en marche du programme pour atténuer les bruits. Une fois que le programme est terminé et que la vaisselle a refroidi pendant plusieurs heures, l'évent s'ouvre. Ceci empêche toute condensation de vapeur d'eau sur le comptoir. Entre les programmes, l'évent reste ouvert pour que l'air circule, réduisant la formation d'odeurs.

REMARQUE : Un léger bruit se fait entendre lorsque le couvercle se ferme et s'ouvre. Ceci est normal.



Dispositif de protection contre le débordement

Le dispositif de protection contre le débordement (au coin avant droit de la cuve du lave-vaisselle) empêche le lave-vaisselle de déborder. Il faut qu'il soit en place pour que le lave-vaisselle fonctionne.



S'assurer qu'il n'y a pas en dessous des objets qui puissent empêcher le dispositif de monter ou de descendre.

LAVAGE D'ARTICLES SPÉCIAUX

En cas de doute au sujet du lavage d'un article particulier, consulter le fabricant pour déterminer si l'article est lavable au lave-vaisselle.

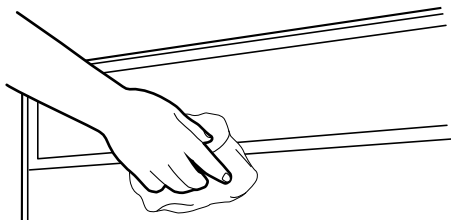
Matériau	Lavable au lave-vaisselle?/ Commentaires	Matériau	Lavable au lave-vaisselle?/ Commentaires
Aluminium	Oui L'eau chaude et les détergents peuvent affecter la finition de l'aluminium anodisé.	Étain, laiton, bronze	Non L'eau chaude et les détergents peuvent modifier la couleur et la finition.
Aluminium jetable	Non Ne pas laver les plats d'aluminium jetables au lave-vaisselle. Ils risquent de se déplacer durant le lavage et de transférer des marques noires à la vaisselle et à d'autres articles.	Plastiques jetables	Non Ce matériau ne peut pas résister aux effets de l'eau chaude et des détergents.
Bouteilles et cannettes	Non Laver manuellement les bouteilles et cannettes. Les étiquettes peuvent se détacher dans le lave-vaisselle et obstruer les orifices des bras d'aspersion ou la pompe, et réduire la performance de lavage.	Plastiques	Oui Consulter toujours les recommandations du fabricant avant le lavage. La résistance des articles de plastique à l'eau chaude et aux détergents est variable. Charger les articles de plastique seulement dans le panier supérieur.
Fonte	Non La patine sera éliminée et la fonte rouillera.	Acier inoxydable	Oui Si le lavage n'est pas effectué immédiatement, exécuter un programme de rinçage. Le contact prolongé avec des résidus alimentaires contenant sel, vinaigre, produits laitiers ou jus de fruit peut endommager la finition.
Porcelaine/grès	Oui Consulter toujours les recommandations du fabricant avant le lavage. La décoration des articles antiques, peints à la main ou l'émaillage peut se détériorer. Les dorures peuvent se dissiper ou changer de couleur.	Argent sterling ou plaqué	Oui Si le lavage n'est pas effectué immédiatement, exécuter un programme de rinçage. Le contact prolongé avec des résidus alimentaires contenant sel, acide ou sulfure (oeufs, mayonnaise et fruits de mer) peut endommager la finition.
Cristal	Oui Consulter toujours les recommandations du fabricant avant le lavage. Après plusieurs lavages, la solution de détergent peut attaquer certains types de cristal au plomb.	Fer blanc	Non Possibilité de rouille.
Or	Non Les couverts dorés subiront un changement de couleur.	Ustensiles de bois	Non Laver manuellement. Consulter toujours les recommandations du fabricant avant le lavage. Le bois non traité peut se déformer, se fissurer ou perdre sa finition.
Verre	Oui Le verre opaque jaunit après de nombreux lavages au lave-vaisselle.		
Coutellerie à manche creux	Non Les manches de certains couteaux sont fixés à la lame au moyen d'un adhésif qui peut se dégager lors du lavage au lave-vaisselle.		

ENTRETIEN DU LAVE-VAISSELLE

Nettoyage

Nettoyage de l'extérieur

Dans la plupart des cas, il suffit d'utiliser un linge doux, humide ou une éponge et un détergent doux pour nettoyer les surfaces extérieures du lave-vaisselle et préserver son aspect de produit neuf. Si l'extérieur du lave-vaisselle est en acier inoxydable, un nettoyant pour acier inoxydable est recommandé.



Nettoyage de l'intérieur

Les composés minéraux présents dans l'eau dure peuvent provoquer l'accumulation d'un film blanchâtre sur les surfaces intérieures, particulièrement juste au-dessous de la porte.

Ne pas nettoyer les surfaces internes du lave-vaisselle avant qu'elles aient refroidi. Porter des gants de caoutchouc. Ne pas utiliser un produit de nettoyage autre que le détergent pour lave-vaisselle car ceci pourrait provoquer un moussage excessif.

Nettoyage des surfaces internes

Faire une pâte avec un détergent pour lave-vaisselle en poudre sur une éponge humide et nettoyer.

OU

Utiliser un détergent liquide pour lave-vaisselle automatique, et nettoyer avec une éponge humide.

OU

Voir la méthode de rinçage au vinaigre à la section "Taches et films sur la vaisselle" sous "Dépannage".

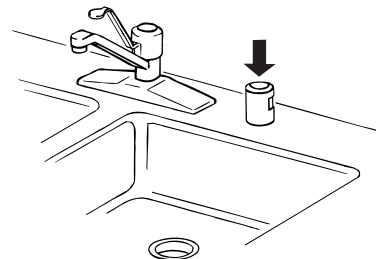
REMARQUE : Effectuer un programme de lavage Normal avec détergent après avoir nettoyé l'intérieur.

Dispositif anti-refoulement

Vérifier le dispositif anti-refoulement lorsque votre lave-vaisselle ne se vidange pas bien.

Certains codes de plomberie provinciaux ou locaux exigent l'installation d'un dispositif anti-refoulement entre un lave-vaisselle encastré et le système de canalisation du domicile.

En cas d'obstruction d'une canalisation, le dispositif anti-refoulement protège votre lave-vaisselle contre le refoulement de l'eau.



Le dispositif anti-refoulement se trouve habituellement sur le dessus de l'évier ou du comptoir près du lave-vaisselle. Pour commander un dispositif anti-refoulement, contacter le marchand local, nous contacter ou appeler le centre de service désigné le plus proche et demander la pièce numéro 300096. Pour plus de renseignements, voir "Assistance ou service".

REMARQUE : Le dispositif anti-refoulement est un article de plomberie externe qui ne fait pas partie de votre lave-vaisselle. La garantie fournie avec votre lave-vaisselle ne couvre pas les coûts de service directement associés au nettoyage ou à la réparation d'un dispositif anti-refoulement externe.

Nettoyage du dispositif anti-refoulement

Nettoyer le dispositif anti-refoulement périodiquement pour assurer la vidange adéquate de votre lave-vaisselle. Suivre les instructions de nettoyage fournies par le fabricant. Pour la plupart des types, il suffit de soulever le couvercle chromé, de dévisser le capuchon de plastique, puis de vérifier s'il y a une accumulation de saleté. Nettoyer au besoin.

Remisage

Remisage pour l'été

Protéger le lave-vaisselle au cours des mois d'été en fermant l'approvisionnement d'eau et en déconnectant le lave-vaisselle de l'alimentation électrique.

Hivérisation du lave-vaisselle

Protéger le lave-vaisselle et le domicile contre les dommages par l'eau, attribuables au gel des conduits d'eau. Si le lave-vaisselle est laissé dans une résidence saisonnière ou risque d'être exposé à des températures près du degré de congélation, faites hivériser le lave-vaisselle par un technicien de service agréé.

DÉPANNAGE

Essayer d'abord les solutions suggérées ici; elles pourraient vous éviter le coût d'une visite de service...

Le lave-vaisselle ne fonctionne pas correctement

- **Le lave-vaisselle ne fonctionne pas ou s'arrête au cours d'un programme**

La porte est-elle bien fermée et enclenchée?

A-t-on sélectionné le bon programme? Consulter les "Sélection de programmes" dans le Guide de référence pour le consommateur.

Le lave-vaisselle est-il alimenté par le courant électrique? Un fusible est-il grillé ou un disjoncteur s'est-il déclenché? Remplacer le fusible ou réenclencher le disjoncteur. Si le problème persiste, appeler un électricien.

Le moteur s'est-il arrêté par suite d'une surcharge? Le moteur se réactive automatiquement après quelques minutes. S'il ne se remet pas en marche, contacter le service de dépannage.

Le robinet d'arrêt (le cas échéant) est-il ouvert?

Il est normal pour certains programmes de faire des pauses répétées pendant quelques secondes lors du lavage principal.
- **Le témoin lumineux de nettoyage clignote**

Il y a eu un dysfonctionnement du lave-vaisselle. Appeler le service technique pour vérifier le circuit de chauffage.
- **Le lave-vaisselle ne se remplit pas**

Le dispositif de protection contre le débordement peut-il monter et descendre librement? Appuyer pour le libérer.
- **La durée d'exécution du programme semble être trop longue**

L'eau fournie au lave-vaisselle est-elle suffisamment chaude? Le lave-vaisselle fonctionne plus longtemps durant le chauffage de l'eau. Voir la section "Conseils de performance".

Une période d'attente s'ajoute automatiquement dans certains programmes de lavage et de rinçage jusqu'à ce que l'eau atteigne la température correcte.
- **Résidus d'eau dans le lave-vaisselle**

Le programme est-il achevé?
- **Résidus de détergent dans la section avec couvercle du distributeur**

Le programme est-il terminé?

Le détergent a-t-il des grumeaux? Remplacer le détergent au besoin.
- **Apparition d'un résidu blanc à l'avant du panneau d'accès**

A-t-on utilisé une quantité excessive de détergent? Voir la section "Distributeur de détergent".

La marque de détergent utilisée produit-elle trop de mousse? Essayer une marque de détergent différente pour réduire le moussage et éliminer l'accumulation.
- **Odeur dans le lave-vaisselle**

La vaisselle est-elle lavée seulement tous les 2 ou 3 jours? Exécuter un programme de rinçage une ou deux fois par jour jusqu'à ce qu'une charge complète soit accumulée.

Une odeur de plastique neuf est-elle apparente dans le lave-vaisselle? Effectuer un rinçage avec du vinaigre selon la description dans "Taches et films sur la vaisselle" plus loin dans ce guide de dépannage.

- **Condensation sur le comptoir de la cuisine (modèles encastrés)**

Le lave-vaisselle est-il aligné avec le dessus du comptoir? L'humidité sortant de l'évent de la console du lave-vaisselle peut se former sur le comptoir. Voir les instructions d'installation pour plus de renseignements.

Vaisselle pas complètement nettoyée

- **Résidus de produits alimentaires sur la vaisselle**

La vaisselle est-elle chargée correctement? Voir la section "Chargement" dans le Guide de référence pour le consommateur.

Avez-vous choisi le programme qui correspond aux saletés les plus difficiles de votre charge? Si vous avez des articles plus souillés, utiliser un programme plus rigoureux.

La température de l'eau est-elle trop basse? Pour les meilleurs résultats de lavage, l'eau devrait être à 120°F (49°C) à son entrée dans le lave-vaisselle. Voir la section "Conseils de performance".

A-t-on utilisé la bonne quantité de détergent frais? Utiliser seulement les détergents recommandés pour lave-vaisselle. Voir la section "Distributeur de détergent". Ne pas employer moins d'une cuillerée à soupe (15 g) par charge. Pour qu'il soit efficace, il faut que le détergent soit frais. Remiser le détergent dans un endroit frais et sec. Une vaisselle très sale et/ou une eau dure nécessitent généralement un supplément de détergent.

Y a-t-il des grumeaux de détergent dans le distributeur? Utiliser uniquement un détergent frais. Ne pas laisser le détergent pendant plusieurs heures dans un distributeur humide. Nettoyer le distributeur lorsqu'il s'y trouve des grumeaux de détergent.

La pompe ou le bras d'aspersion est-elle/il obstrué(e) par des étiquettes de bouteilles et de cannettes?

La pression d'eau du domicile est-elle suffisamment élevée pour un remplissage convenable du lave-vaisselle? La pression d'eau du domicile devrait être de 20 à 120 lb/po² (138 à 828 kPa). Si vous avez des questions au sujet de la pression de votre eau, appeler un plombier qualifié agréé.

Une accumulation de mousse ralentit-elle le bras d'aspersion? Ne pas utiliser de savon ou de détergent à lessive. Utiliser uniquement les détergents recommandés pour lave-vaisselle.

Présence de taches sur la vaisselle

- **Taches et films sur la vaisselle**

L'eau est-elle dure ou contient-elle une concentration élevée de minéraux? Le conditionnement de l'eau de rinçage final avec un agent de rinçage liquide favorise l'élimination des taches et films. Veiller à ce que le distributeur soit toujours rempli d'un agent de rinçage. Toujours utiliser une option à haute température. Si la dureté de l'eau est de 13 grains ou plus, il est fortement recommandé d'installer un adoucisseur d'eau. Si vous ne désirez pas boire de l'eau adoucie, faire installer l'adoucisseur sur la canalisation du réservoir d'eau chaude.

La température de l'eau est-elle trop basse? Pour les meilleurs résultats de lavage, l'eau devrait être à 120°F (49°C) à son entrée dans le lave-vaisselle. Voir la section "Conseils de performance".

A-t-on utilisé la bonne quantité de détergent efficace? Utiliser seulement les détergents recommandés pour lave-vaisselle. Voir la section "Distributeur de détergent". Ne pas employer moins d'une cuillerée à soupe (15 g) par charge. Pour qu'il soit efficace, il faut que le détergent soit frais. Remiser le détergent dans un endroit frais et sec. Une vaisselle très sale et/ou une eau dure nécessitent généralement un supplément de détergent.

La pression d'eau du domicile est-elle suffisamment élevée pour un remplissage convenable du lave-vaisselle? La pression d'eau du domicile devrait être de 20 à 120 lb/po² (138 à 828 kPa). Si vous avez des questions au sujet de la pression de votre eau, appeler un plombier qualifié agréé.

REMARQUE : Pour éliminer les taches et films sur la vaisselle, essayer un rinçage avec de l'eau vinaigrée. Cette méthode ne devrait être utilisée qu'occasionnellement. Le vinaigre est un acide et son utilisation trop fréquente pourrait endommager le lave-vaisselle.

1. Laver et rincer la vaisselle. Utiliser le séchage à l'air ou une option de séchage économique. Enlever tous les couvercles ou articles métalliques.
2. Ajouter 2 tasses (500 mL) de vinaigre blanc dans une tasse à mesurer lavable au lave-vaisselle dans le panier inférieur.
3. Faire exécuter au lave-vaisselle un programme de lavage complet et un séchage à l'air ou une option de séchage économique. Ne pas utiliser de détergent. Le vinaigre se mélangera à l'eau de lavage.

■ **Film de silice ou attaque (le film de silice est un dépôt blanc irisé; l'attaque produit l'apparence d'un film translucide)**

Il y a parfois une réaction chimique de l'eau avec certains types de verres. Ceci est habituellement imputable à certaines combinaisons d'eau douce ou adoucie, solution de lavage alcaline, rinçage insuffisant, chargement excessif du lave-vaisselle, et la chaleur de séchage. Il peut être nécessaire de laver manuellement ces articles pour éliminer complètement le problème.

Pour ralentir ce processus, utiliser la quantité minimale de détergent, mais pas moins d'une cuillerée à soupe (15 g) par charge. Utiliser un agent de rinçage liquide, et ne pas trop charger le lave-vaisselle pour permettre un rinçage à fond. Il n'est pas possible d'éliminer le film de silice ou l'effet de l'attaque chimique qui demeurent en permanence. Ne pas utiliser un séchage avec chaleur.

■ **Taches blanches sur les ustensiles de cuisson à revêtement antiadhésif**

Le détergent du lave-vaisselle a-t-il éliminé la patine? Générer une nouvelle patine après le lavage au lave-vaisselle.

■ **Taches marron sur la vaisselle et les surfaces internes du lave-vaisselle**

L'eau comporte-t-elle une concentration de fer élevée? Laver de nouveau la vaisselle après avoir versé 1 à 3 c. à thé (5-15 mL) de cristaux d'acide citrique dans la section fermée du distributeur de détergent. Ne pas utiliser de détergent. Exécuter ensuite un programme de lavage Normal avec détergent. Si ce traitement est nécessaire plus fréquemment qu'à intervalles de deux mois, on recommande l'installation d'un dispositif d'élimination du fer.

■ **Marques noires ou grises sur la vaisselle**

Des articles d'aluminium frottent-ils contre la vaisselle durant le lavage? Les articles d'aluminium jetables peuvent se briser dans le lave-vaisselle et causer des marques. Laver ces articles à la main. Pour éliminer les marques d'aluminium, employer un produit de nettoyage moyennement abrasif.

■ **Taches orange sur les articles de plastique ou les surfaces internes du lave-vaisselle**

Place-t-on dans le lave-vaisselle de la vaisselle sur laquelle il y a une quantité considérable de résidus alimentaires à base de tomates? Il peut être nécessaire d'utiliser un détachant pour enlever les taches du lave-vaisselle. Les taches n'affectent pas la performance du lave-vaisselle.

Vaisselle pas complètement sèche

■ **La vaisselle n'est pas sèche**

Le lave-vaisselle a-t-il été chargé de manière à permettre un drainage adéquat de l'eau? Ne pas charger excessivement. Voir la section "Chargement" dans le Guide de référence pour le consommateur. Utiliser un agent de rinçage liquide pour accélérer le séchage.

Les articles de plastique sont-ils humides? Il est souvent nécessaire de sécher les articles de plastique avec un linge.

Le distributeur d'agent de rinçage est-il vide? Voir la section "Distributeur d'agent de rinçage".

A-t-on utilisé un séchage à l'air ou une option de séchage économique? Utiliser une option de séchage avec chauffage pour une vaisselle plus sèche.

Vaisselle endommagée au cours d'un programme

■ **Écaillage de la vaisselle**

A-t-on chargé le lave-vaisselle correctement? Charger la vaisselle et les verres de telle manière qu'ils soient stables et qu'ils ne s'entrechoquent pas lors du lavage. Minimiser l'écaillage en déplaçant lentement les paniers.

REMARQUE : Les antiquités, le cristal très mince et certains types de porcelaine et de verre peuvent être trop délicats pour le lavage automatique. Laver à la main.

Bruits

■ **Émission de bruits de broyage ou de bourdonnement**

Un objet dur a pénétré dans le module de lavage (sur certains modèles). Le bruit devrait cesser après le broyage de l'objet. Si le bruit persiste après un programme complet, faire un appel de service.

GARANTIE DU LAVE-VAISSELLE KITCHENAID®

GARANTIE LIMITÉE DE UN AN

Pendant un an à compter de la date d'achat, lorsque ce gros appareil ménager est utilisé et entretenu conformément aux instructions jointes à ou fournies avec le produit, KitchenAid ou KitchenAid Canada (ci-après désignées "KitchenAid") paiera pour les pièces spécifiées par l'usine et la main-d'œuvre pour corriger les vices de matériaux ou de fabrication. Le service doit être fourni par une compagnie de service désignée par KitchenAid.

GARANTIE LIMITÉE DE LA DEUXIÈME À LA CINQUIÈME ANNÉE INCLUSIVEMENT SUR CERTAINS COMPOSANTS

De la deuxième à la cinquième année inclusivement à compter de la date d'achat, lorsque votre gros appareil ménager est installé, utilisé et entretenu conformément aux instructions jointes à ou fournies avec le produit, KitchenAid paiera pour les pièces spécifiées par l'usine pour les composants suivants, en cas de vices de matériaux ou de fabrication : paniers à vaisselle en nylon, moteur de lavage et de vidange, commandes électroniques et élément chauffant.

GARANTIE LIMITÉE À VIE SUR LA CUVE EN ACIER INOXYDABLE ET L'INTÉRIEUR DE LA PORTE

Pendant la durée de vie du produit, à compter de la date d'achat, lorsque votre gros appareil ménager est installé, utilisé et entretenu conformément aux instructions jointes à ou fournies avec le produit, KitchenAid paiera pour les pièces spécifiées par l'usine et la main-d'œuvre pour corriger les vices de matériaux ou de fabrication. Le service doit être fourni par une compagnie de service désignée par KitchenAid.

KITCHENAID NE PRENDRA PAS EN CHARGE

1. Les visites de service pour rectifier l'installation du gros appareil ménager, montrer à l'utilisateur comment utiliser l'appareil, remplacer ou réparer des fusibles ou rectifier le câblage ou la plomberie du domicile.
2. Les visites de service pour réparer ou remplacer les ampoules électriques de l'appareil, les filtres à air ou les filtres à eau. Ces pièces consommables ne sont pas couvertes par la garantie.
3. Les réparations lorsque le gros appareil ménager est utilisé à des fins autres que l'usage unifamilial normal.
4. Les dommages imputables à : accident, modification, usage impropre ou abusif, incendie, inondation, actes de Dieu, installation fautive ou installation non conforme aux codes d'électricité ou de plomberie, ou l'utilisation de produits non approuvés par KitchenAid.
5. Le coût des pièces de rechange et de la main-d'œuvre pour les appareils utilisés hors des États-Unis ou du Canada.
6. Le ramassage et la livraison. Ce gros appareil ménager est conçu pour être réparé à domicile.
7. Les réparations aux pièces ou systèmes résultant d'une modification non autorisée faite à l'appareil.
8. Les frais de voyage et de transport pour le service d'un produit dans les régions éloignées.
9. La dépose et la réinstallation de votre appareil si celui-ci est installé dans un endroit inaccessible ou n'est pas installé conformément aux instructions d'installation fournies.

CLAUSE D'EXONÉRATION DE RESPONSABILITÉ AU TITRE DES GARANTIES IMPLICITES; LIMITATION DES RECOURS

LE SEUL ET EXCLUSIF RECOURS DU CLIENT DANS LE CADRE DE LA PRÉSENTE GARANTIE LIMITÉE CONSISTE EN LA RÉPARATION PRÉVUE CI-DESSUS. LES GARANTIES IMPLICITES, Y COMPRIS LES GARANTIES APPLICABLES DE QUALITÉ MARCHANDE ET D'APTITUDE À UN USAGE PARTICULIER, SONT LIMITÉES À UN AN OU À LA PLUS COURTE PÉRIODE AUTORISÉE PAR LA LOI. KITCHENAID N'ASSUME AUCUNE RESPONSABILITÉ POUR LES DOMMAGES FORTUITS OU INDIRECTS. CERTAINES JURIDICTIONS NE PERMETTENT PAS L'EXCLUSION OU LA LIMITATION DES DOMMAGES FORTUITS OU INDIRECTS, OU LES LIMITATIONS DE LA DURÉE DES GARANTIES IMPLICITES DE QUALITÉ MARCHANDE OU D'APTITUDE À UN USAGE PARTICULIER, DE SORTE QUE CES EXCLUSIONS OU LIMITATIONS PEUVENT NE PAS S'APPLIQUER DANS VOTRE CAS. CETTE GARANTIE VOUS CONFÈRE DES DROITS JURIDIQUES SPÉCIFIQUES ET VOUS POUVEZ ÉGALEMENT JOUIR D'AUTRES DROITS QUI PEUVENT VARIER D'UNE JURIDICTION À UNE AUTRE.

À l'extérieur du Canada et des 50 États des États-Unis, cette garantie ne s'applique pas. Contacter votre marchand KitchenAid autorisé pour déterminer si une autre garantie s'applique.

Si vous avez besoin de service, voir d'abord la section "Dépannage" du Guide d'utilisation et d'entretien. Après avoir vérifié la section "Dépannage", de l'aide supplémentaire peut être trouvée en vérifiant la section "Assistance ou service" ou en appelant KitchenAid. Aux É.-U., composer le **1-800-422-1230**. Au Canada, composer le **1-800-807-6777**.

9/05

8574093

© 2005. All rights reserved.
Tous droits réservés.

® Registered Trademark/TM Trademark of KitchenAid, U.S.A., KitchenAid Canada licensee in Canada
® Marque déposée/TM Marque de commerce de KitchenAid, U.S.A., Emploi licencié par KitchenAid Canada au Canada

10/05
Printed in U.S.A.
Imprimé aux É.-U.

Free Manuals Download Website

<http://myh66.com>

<http://usermanuals.us>

<http://www.somanuals.com>

<http://www.4manuals.cc>

<http://www.manual-lib.com>

<http://www.404manual.com>

<http://www.luxmanual.com>

<http://aubethermostatmanual.com>

Golf course search by state

<http://golfingnear.com>

Email search by domain

<http://emailbydomain.com>

Auto manuals search

<http://auto.somanuals.com>

TV manuals search

<http://tv.somanuals.com>