

# KitchenAid®

---

## INSTALLATION INSTRUCTIONS DRAWER DISHWASHER

---

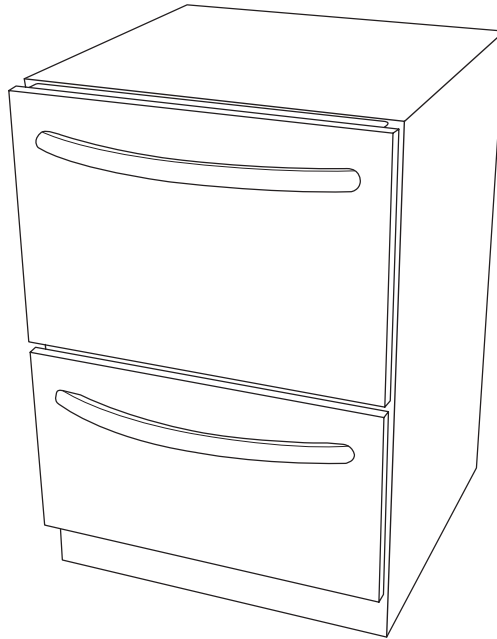
## INSTRUCCIONES DE INSTALACIÓN DE LA LAVAVAJILLAS DE CAJÓN

---

## INSTRUCTIONS D'INSTALLATION LAVE-VAISSELLE À DOUBLE TIROIR

---

Table of Contents/Índice/Table des matières..... 2



### **IMPORTANT:**

Save for local electrical inspector's use.

**Installer:** Leave installation instructions with the homeowner.

**Homeowner:** Keep installation instructions for future reference.

### **IMPORTANTE:**

Guarde estas instrucciones para tenerlas a disposición del inspector de electricidad local.

**Instalador:** Deje las instrucciones de instalación con el propietario.

**Propietario:** Conserve las instrucciones de instalación para referencia futura.

### **IMPORTANT :**

Conserver pour consultation par l'inspecteur local des installations électriques.

**Installateur :** Remettre les instructions d'installation au propriétaire.

**Propriétaire :** Conserver les instructions d'installation pour référence ultérieure.

W10118037B

# TABLE OF CONTENTS

<b>DISHWASHER SAFETY</b> .....	3	Route Electrical Wiring .....	9
<b>INSTALLATION REQUIREMENTS</b> .....	4	Route Water Supply Line and Drain Hose .....	10
Tools and Parts .....	4	Connect Water Supply Line and Drain Hoses .....	11
Location Requirements .....	4	Make Electrical Connection .....	12
Water Supply Requirements .....	5	Install Trim Pieces .....	13
Electrical Requirements .....	6	Level and Secure Dishwasher.....	14
Drain Requirements .....	6	Complete Installation.....	15
<b>INSTALLATION INSTRUCTIONS</b> .....	7	<b>OVERLAY PANEL INSTALLATION INSTRUCTIONS.....</b>	<b>16</b>
Unpack Dish Drawer .....	7	Custom Overlay Drawer Panels.....	16
Prepare Cabinet Opening .....	7	Preparing Custom Panels .....	16
Prepare Dishwasher .....	8	Install Panel Fasteners .....	17
		Mount the Overlay Panel.....	17

# ÍNDICE

<b>SEGURIDAD DE LA LAVAVAJILLAS</b> .....	18	Conecte la línea de suministro de agua y las mangueras de desagüe .....	26
<b>REQUISITOS DE INSTALACIÓN</b> .....	19	Conexión del suministro eléctrico.....	27
Piezas y herramientas .....	19	Instale las piezas de adorno.....	28
Requisitos de ubicación.....	20	Nivele y asegure la lavavajillas. ....	29
Requisitos del suministro de agua.....	20	Complete la instalación .....	31
Requisitos eléctricos .....	21	<b>INSTRUCCIONES DE INSTALACIÓN DE LOS PANELES RECUBIERTOS</b> .....	<b>32</b>
Requisitos de desagüe .....	21	Paneles de los cajones recubiertos a la medida .....	32
<b>INSTRUCCIONES DE INSTALACIÓN</b> .....	<b>22</b>	Preparación de los paneles a la medida.....	32
Desempaque el cajón para platos .....	22	Cómo instalar los sujetadores del panel.....	33
Prepare la abertura en el armario .....	22	Cómo montar el panel recubierto .....	33
Prepare la lavavajillas.....	23		
Dirija el cableado eléctrico .....	24		
Dirija la línea de suministro de agua y la manguera de desagüe.....	25		

# TABLE DES MATIÈRES

<b>SÉCURITÉ DU LAVE-VAISSELLE</b> .....	34	Raccordement du tuyau d'arrivée d'eau et du tuyau d'évacuation .....	42
<b>EXIGENCES D'INSTALLATION</b> .....	35	Raccordement du circuit électrique.....	43
Outils et composants .....	35	Installation des pièces de garniture .....	44
Exigences d'emplacement.....	36	Établissement de l'aplomb du lave-vaisselle; arrimage de l'appareil .....	45
Spécifications de l'alimentation en eau .....	36	Achever l'installation .....	47
Spécifications électriques .....	37	<b>INSTRUCTIONS D'INSTALLATION DU PANNEAU DÉCORATIF</b> .....	<b>48</b>
Évacuation de l'eau de lavage - Critères à respecter.....	37	Panneaux décoratifs de tiroirs personnalisés.....	48
<b>INSTRUCTIONS D'INSTALLATION</b> .....	<b>38</b>	Préparation des panneaux personnalisés.....	48
Déballage du lave-vaisselle.....	38	Installation des dispositifs de fixation de panneau.....	49
Préparation de l'espace d'installation entre les placards.....	38	Montage du panneau décoratif.....	49
Préparation du lave-vaisselle .....	39		
Installation du câblage électrique .....	40		
Installation du tuyau d'arrivée d'eau et du tuyau d'évacuation.....	41		

# DISHWASHER SAFETY

## Your safety and the safety of others are very important.

We have provided many important safety messages in this manual and on your appliance. Always read and obey all safety messages.



This is the safety alert symbol.

This symbol alerts you to potential hazards that can kill or hurt you and others.

All safety messages will follow the safety alert symbol and either the word "DANGER" or "WARNING."

These words mean:

**⚠ DANGER**

You can be killed or seriously injured if you don't immediately follow instructions.

**⚠ WARNING**

You can be killed or seriously injured if you don't follow instructions.

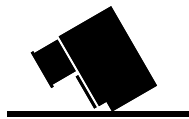
All safety messages will tell you what the potential hazard is, tell you how to reduce the chance of injury, and tell you what can happen if the instructions are not followed.

## IMPORTANT SAFETY INSTRUCTIONS

**WARNING:** When using the dishwasher, follow basic precautions, including the following:

- Read all instructions before using the dishwasher.
- Use the dishwasher only for its intended function.
- Use only detergents or rinse agents recommended for use in a dishwasher, and keep them out of the reach of children.
- When loading items to be washed:
  - 1) Locate sharp items so that they are not likely to damage the door seal; and
  - 2) Load sharp knives with the handles up to reduce the risk of cut-type injuries.
- Do not wash plastic items unless they are marked "dishwasher safe" or the equivalent. For plastic items not so marked, check the manufacturer's recommendations.
- Do not touch the heating element during or immediately after use.
- Do not operate the dishwasher unless all enclosure panels are properly in place.
- Do not tamper with controls.
- Do not abuse, sit on, or stand on the door, lid, or dish racks of the dishwasher.
- To reduce the risk of injury, do not allow children to play in or on the dishwasher.
- Under certain conditions, hydrogen gas may be produced in a hot water system that has not been used for two weeks or more. **HYDROGEN GAS IS EXPLOSIVE.** If the hot water system has not been used for such a period, before using the dishwasher turn on all hot water faucets and let the water flow from each for several minutes. This will release any accumulated hydrogen gas. As the gas is flammable, do not smoke or use an open flame during this time.
- Remove the door or lid to the washing compartment when removing an old dishwasher from service or discarding it.

**SAVE THESE INSTRUCTIONS**



**⚠ WARNING**

**Tip Over Hazard**

**Do not open dishwasher drawer until inside cabinet opening.**

**Doing so can result in death or serious injury.**

### You need to:

- Slowly open dishwasher drawer while someone grasps the rear of the dishwasher. Remove shipping materials. Close dishwasher drawer. Latch the dishwasher drawer shut.
- Observe all governing codes and ordinances.
- Install this dishwasher as specified in these instructions.
- Have everything you need to properly install dishwasher.
- Contact a qualified installer to ensure that dishwasher is installed to meet all electrical and plumbing national and local codes and ordinances.

# INSTALLATION REQUIREMENTS

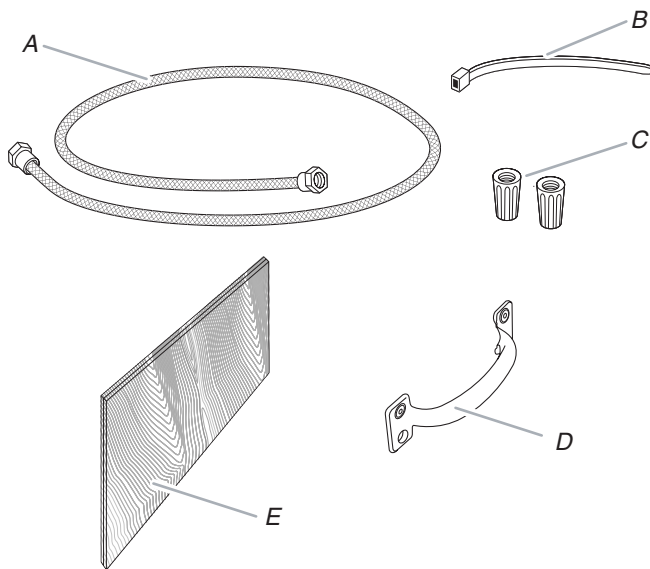
## Tools and Parts

Gather the required tools and parts before starting installation. Read and follow the instructions provided with any tools listed here.

### Tools needed

- Pliers
- Phillips screwdriver
- Flat-blade screwdriver
- 3/16" and 1/4" nut drivers or hex sockets
- Measuring tape or ruler
- 1 1/2" hole saw bit
- 10" adjustable wrench
- Utility knife
- Level
- Electric drill
- 1/8" drill bit
- Security T-20 TORX<sup>†</sup> driver (if installing custom front panels)

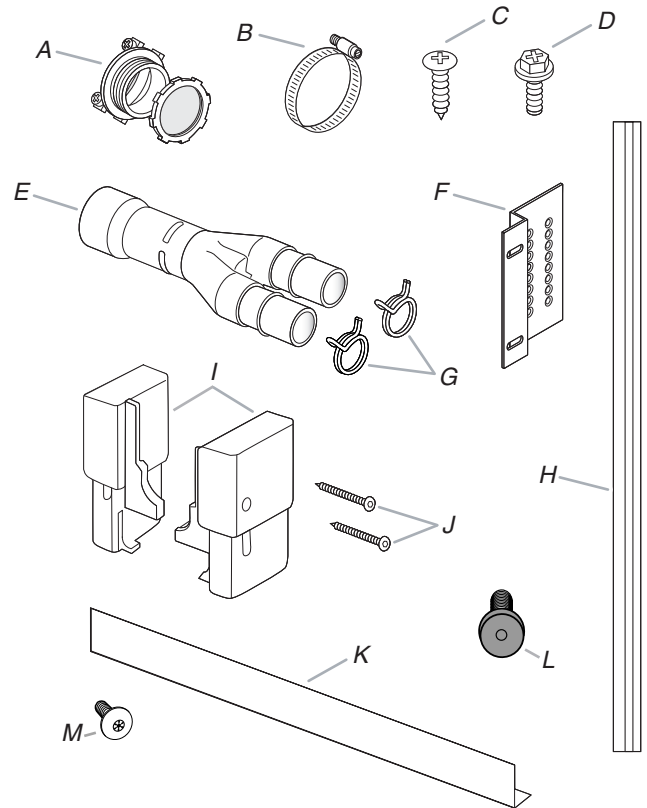
### Parts needed



- A. 60" (152.4 cm) flexible water supply line
- B. Zip tie
- C. 2 appropriate sized UL listed wire connectors
- D. Handle (if installing custom front panels)
- E. Overlay Panel (if installing custom front panels)

### Parts Supplied

Check that all parts are included.



- A. 3/4" UL listed strain relief
- B. 1.25" hose clamp
- C. 8 mounting bracket screws
- D. 4 unit mounting screws
- E. Y drain connector
- F. 4 mounting brackets
- G. Drain connector spring clamps
- H. 2 trim strips
- I. Toe kick brackets
- J. 2 toe kick bracket screws
- K. Toe kick trim
- L. 2 panel fasteners (on some models)
- M. 10 TORX<sup>†</sup> screws (on some models)

## Location Requirements

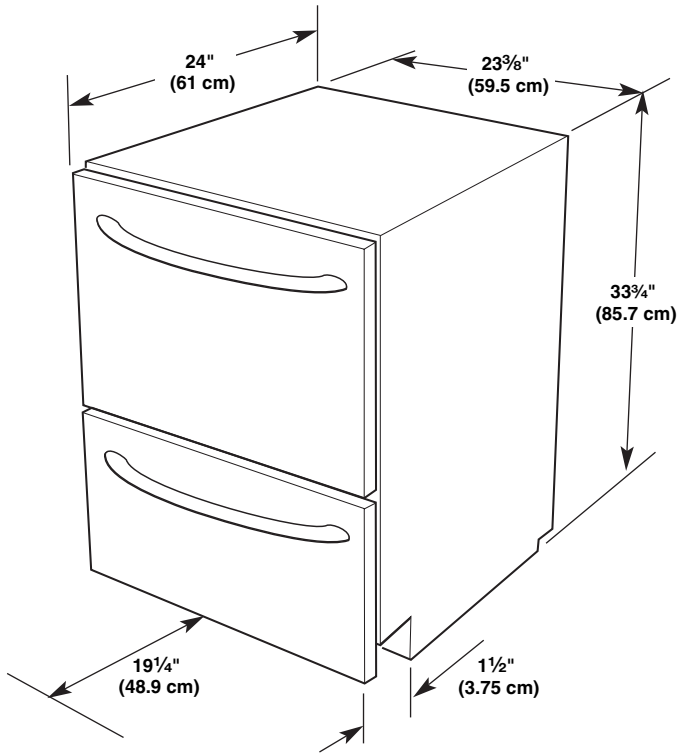
**IMPORTANT:** Observe all governing codes and ordinances. Failure to meet codes and ordinances could lead to fire or electrical shock.

Proper installation is your responsibility.

- Contact a qualified installer to ensure that the dishwasher is installed to meet all electrical and plumbing national and local codes and ordinances.
- Install the dishwasher as specified in these instructions.
- Have everything you need to properly install dishwasher.
- Protect dishwasher and water lines leading to dishwasher against freezing. Damage from freezing is not covered by the warranty.
- This dishwasher is manufactured for indoor use only.
- Install and level dishwasher on a floor that will hold the weight, and in an area suitable for its size and use.

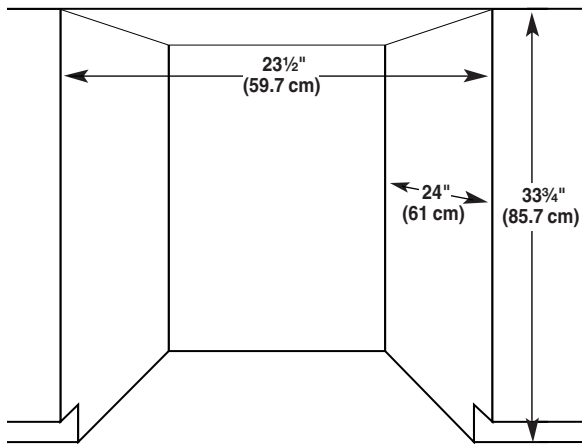
<sup>†</sup>TORX is a registered trademark of Textron Innovations Inc.

## Product Dimensions

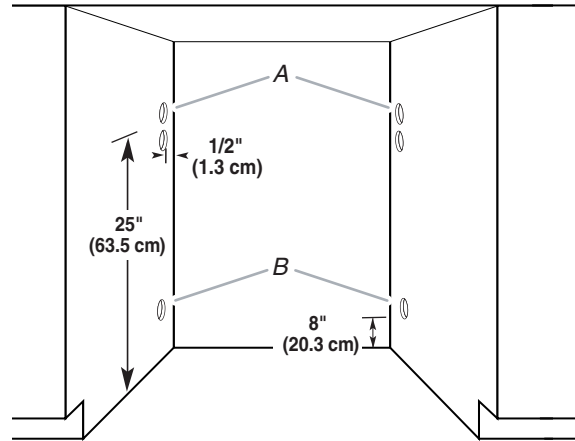


## Installation Clearances

### Cutout dimensions



## Preferred utility area



- A. Choose left-hand or right-hand drain and water connection route.  
B. Choose left-hand or right-hand electric connection route.

**NOTE:** All holes should be drilled at 1<sup>1</sup>/<sub>2</sub>" (3.8 cm) diameter.

## Water Supply Requirements

- A hot water line with 20-120 psi (138-862 kPa) water pressure.
- 120°F (49°C) water temperature at dishwasher.
- Flexible stainless steel braided fill line (1/2" minimum plastic tubing is not recommended).

## Electrical Requirements

### ⚠ WARNING



#### Electrical Shock Hazard

Plug into a grounded 3 prong outlet.

Do not remove ground prong.

Do not use an adapter.

Do not use an extension cord.

Failure to follow these instructions can result in death, fire, or electrical shock.

### GROUNDING INSTRUCTIONS

#### ■ For a grounded, cord-connected dishwasher:

The dishwasher must be grounded. In the event of a malfunction or breakdown, grounding will reduce the risk of electric shock by providing a path of least resistance for electric current. The dishwasher is equipped with a cord having an equipment-grounding conductor and a grounding plug. The plug must be plugged into an appropriate outlet that is installed and grounded in accordance with all local codes and ordinances.

**WARNING:** Improper connection of the equipment-grounding conductor can result in a risk of electric shock. Check with a qualified electrician or service representative if you are in doubt whether the dishwasher is properly grounded. Do not modify the plug provided with the dishwasher; if it will not fit the outlet, have a proper outlet installed by a qualified electrician.

#### ■ For a permanently connected dishwasher:

The dishwasher must be connected to a grounded metal, permanent wiring system, or an equipment-grounding conductor must be run with the circuit conductors and connected to the equipment-grounding terminal or lead on the dishwasher.

### SAVE THESE INSTRUCTIONS

Contact a qualified electrician.

Ensure that the electrical installation is adequate and in conformance with all national and local codes and ordinances.

You must have:

- 120-volt, 60 Hz, AC-only, 15 or 20 amp fused electrical supply.
- Copper wire only.

We recommend:

- A time-delay fuse or circuit breaker.
- A separate circuit.

#### If direct wiring dishwasher:

- Use flexible, armored or nonmetallic sheathed, copper wire with grounding wire that meets the wiring requirements for your home and local codes and ordinances.
- Use strain relief method provided with house wiring junction box or install a UL-listed/CSA-certified clamp connector to the house wiring junction box. If using conduit, use a UL-listed/CSA-certified conduit connector.

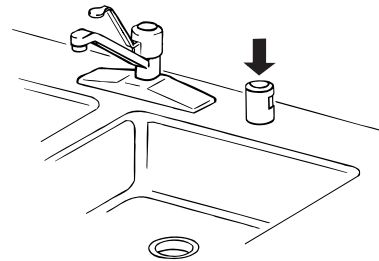
#### If connecting dishwasher with a power supply cord:

- Use Power Supply Cord Kit (Part Number 4317824) marked for use with dishwashers. Kit contents include:
    - Voltex, Inc., UL listed 16 gauge 3 wire power supply cord with 3 prong grounded plug.
    - Neer C-500 7/8" strain relief.
    - 3 wire connectors.
    - Part No. 302797 grommet.
- Follow the kit instructions for installing the power supply cord.
- Power supply cord must plug into a mating three prong, grounded outlet, located in the cabinet next to the dishwasher opening. Outlet must meet all local codes and ordinances.

**IMPORTANT:** If you plan to install a garbage disposer, an additional separate 120-volt, 60 Hz, AC-only, 15 or 20 amp fused electrical supply is required.

### Drain Requirements

- Use the new drain hose supplied with your dishwasher. If this is not long enough, use a new drain hose with maximum length of 12 ft (3.7m) that meets all current AHAM/IAPMO test standards, is resistant to heat and detergent, and fits the 1" (2.5 cm) drain connector of the dishwasher.
- Connect drain hose to waste tee or disposer inlet above drain trap in house plumbing and 20" (50.8 cm) minimum above the floor. It is recommended that the drain hose either be looped up and securely fastened to the underside of the counter, or be connected to an air gap.



- Use a drain air gap if the drain hose is connected to house plumbing lower than 20" (50.8 cm) above the subfloor or floor.
- Use 1/2" (1.3 cm) minimum I.D. drain line fittings.

# INSTALLATION INSTRUCTIONS

## ⚠ WARNING



### Electrical Shock Hazard

Disconnect electrical power at the fuse box or circuit breaker box before installing dishwasher.

Failure to do so can result in death or electrical shock.

1. Disconnect power.
2. Turn off water supply.

## Unpack Dish Drawer

## ⚠ WARNING

### Excessive Weight Hazard

Use two or more people to move and install dishwasher.

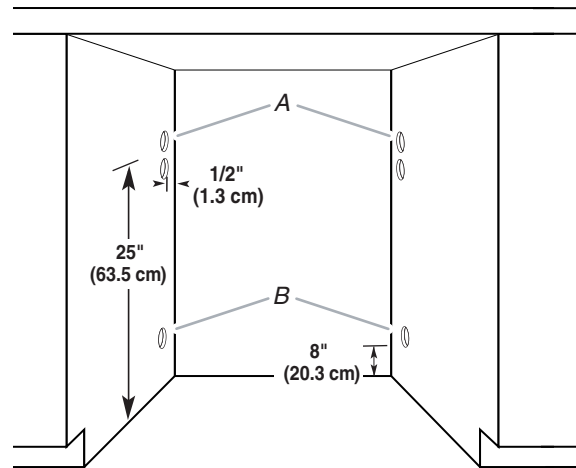
Failure to do so can result in back or other injury.

1. Read valuable information on exterior of shipping box before opening.
2. Remove shipping materials, tape and protective film from the dishwasher. Remove parts package from inside the dishwasher.

## Prepare Cabinet Opening

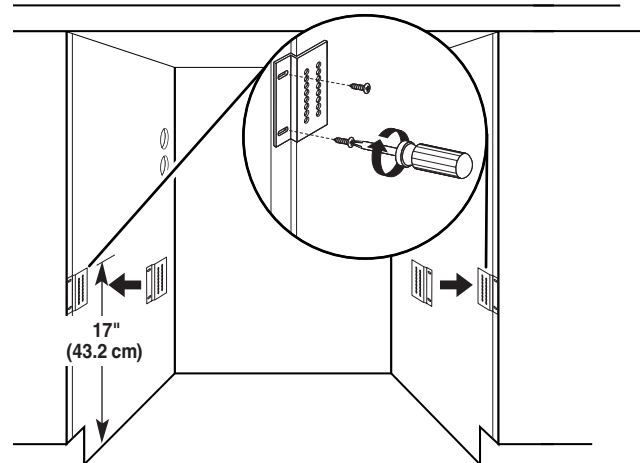
1. To ensure minimum clearance dimensions exist:
  - Measure the distance from the cabinet countertop to the floor and ensure 33 $\frac{3}{4}$ " (85.7 cm) minimum height.
  - Measure the distance from the front of the cabinet to the back wall and ensure 24" (61 cm) minimum depth.
  - Measure the distance from the left-hand side to the right-hand side of opening and ensure 23 $\frac{1}{2}$ " (59.7 cm) minimum width.

2. Drill 1 $\frac{1}{2}$ " (3.8 cm) diameter holes for drain and water hoses and electrical wiring as shown. Holes should be placed 1 $\frac{1}{2}$ " (1.3 cm) from back wall.



- A. Choose left-hand or right-hand drain and water hose route.  
B. Choose left-hand or right-hand electric wire route.

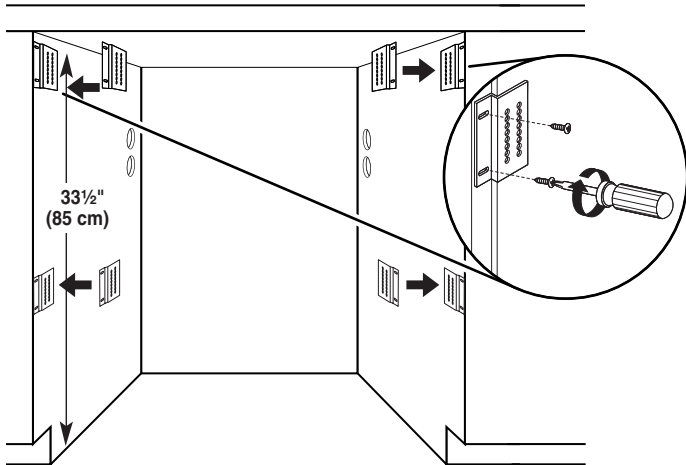
3. Install mounting brackets 17" (43.2 cm) from floor using screws provided. If needed, drill 1/8" pilot holes in cabinet.



4. Decide which dishwasher-to-counter attachment method will be used.

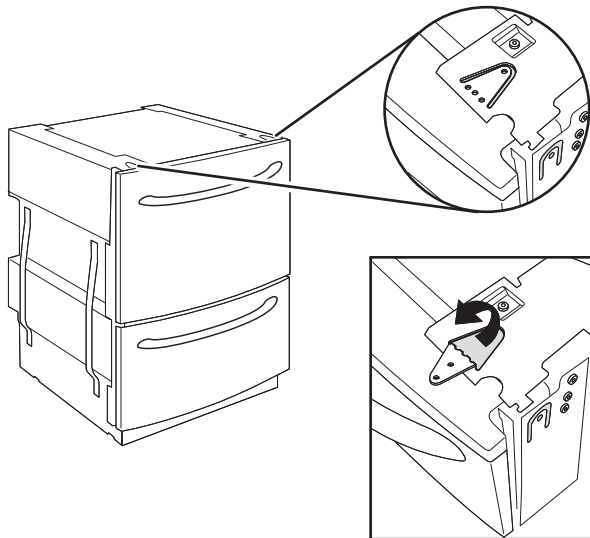
### Option 1: Solid surface countertop installation

- Install second set of mounting brackets 33½" (85 cm) from floor. If needed, drill ⅛" pilot holes in cabinet.



### Option 2: Wood countertop installation

- Prepare dishwasher by folding over tabs located on the top front as shown.



## Prepare Dishwasher

### ⚠ WARNING



#### Tip Over Hazard

Do not open dishwasher drawer until inside cabinet opening.

Doing so can result in death or serious injury.

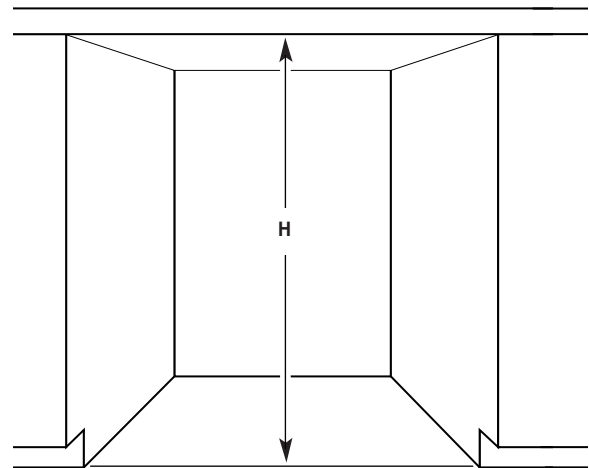
### ⚠ WARNING

#### Excessive Weight Hazard

Use two or more people to move and install dishwasher.

Failure to do so can result in back or other injury.

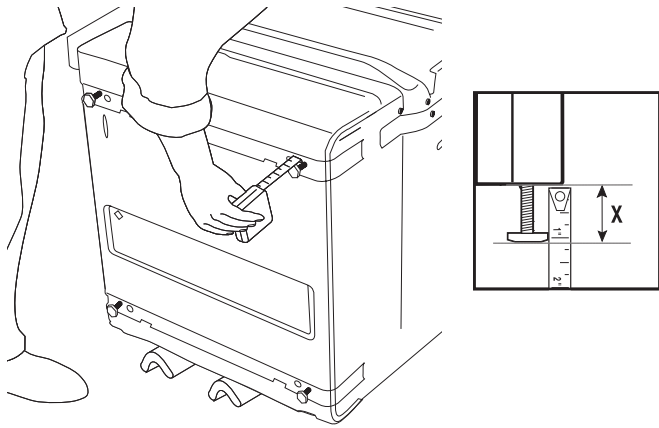
1. Measure cabinet opening height from floor to bottom of countertop.



2. Place corner packaging on the floor and place dishwasher on its back.



3. Adjust leveling legs based on the cabinet opening measurement and the chart below.



H	: X	H	: X
33 7/8" (86 cm)	: 0"	34 1/2" (87.6 cm)	: 5/8" (1.6 cm)
34" (86.3 cm)	: 1/8" (0.3 cm)	34 5/8" (87.9 cm)	: 3/4" (1.9 cm)
34 1/8" (86.7 cm)	: 1/4" (0.6 cm)	34 3/4" (88.3 cm)	: 7/8" (2.2 cm)
34 1/4" (87 cm)	: 3/8" (1 cm)	34 7/8" (88.6 cm)	: 1" (2.5 cm)
34 3/8" (87.3 cm)	: 1/2" (1.3 cm)	35" (88.9 cm)	: 1 1/8" (2.9 cm)

4. Place dishwasher in upright position.

### Route Electrical Wiring

**⚠ WARNING**



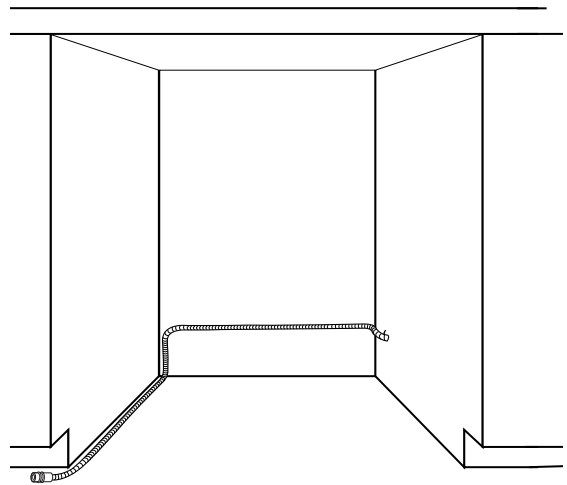
**Electrical Shock Hazard**

**Disconnect electrical power at the fuse box or circuit breaker box before installing dishwasher.**

**Failure to do so can result in death or electrical shock.**

Follow all national and local codes and ordinances for completing electrical supply to cabinet.

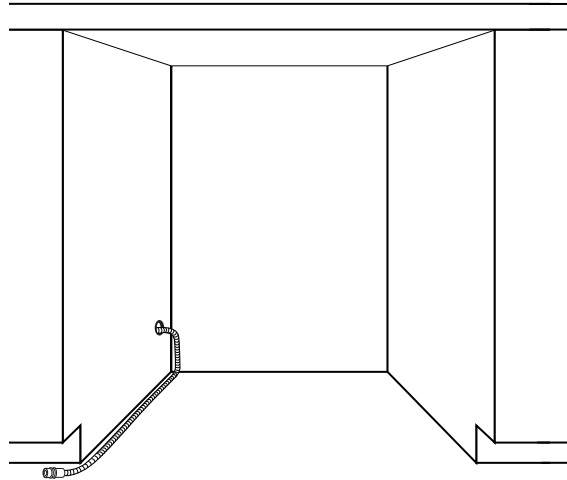
### Option 1: Right-hand side utility route



Route wire through 1 1/2" (3.81 cm) hole located 8" (20.32 cm) above the floor.

After routing the electrical wire through the right-hand hole, attach the wire to back left-hand side of cabinet wall 8" (20.32 cm) above the floor. Then continue routing the wire along the left-hand side of cabinet opening to the front of the opening.

### Option 2: Left-hand side utility route

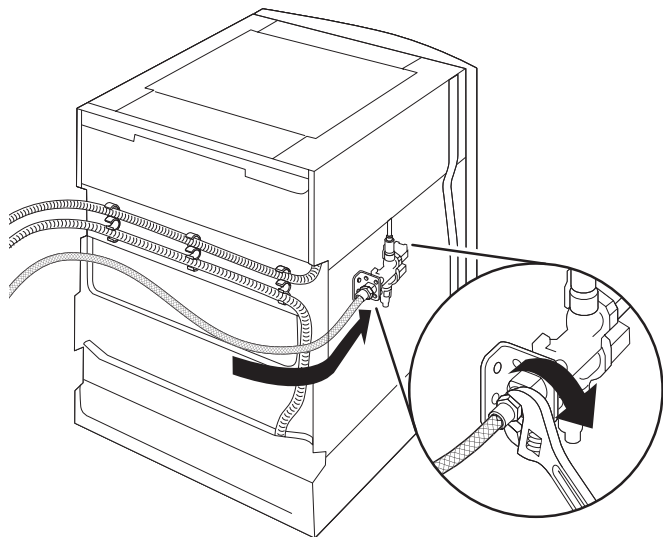


Route wire through 1 1/2" (3.81 cm) hole located 8" (20.32 cm) above the floor.

After routing the electrical wire through the left-hand hole, continue routing the wire along the left-hand side of cabinet to the front of the opening.

## Route Water Supply Line and Drain Hose

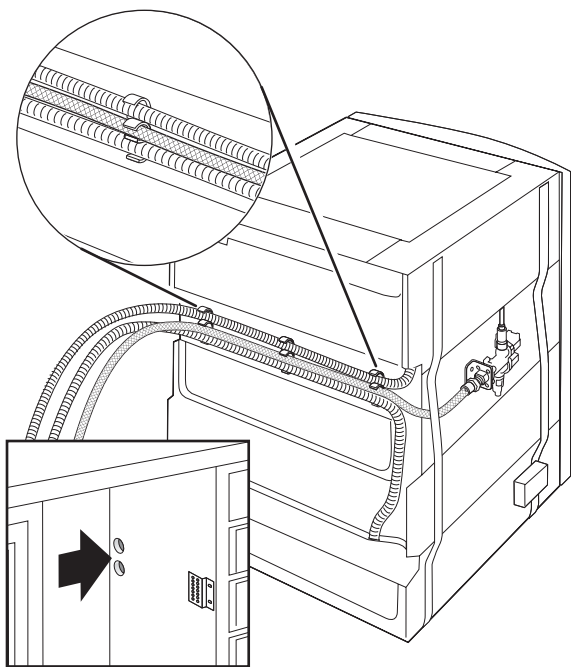
1. Connect water supply line to water valve on dishwasher.



2. Route water supply line and drain hoses based on your cabinet requirements.

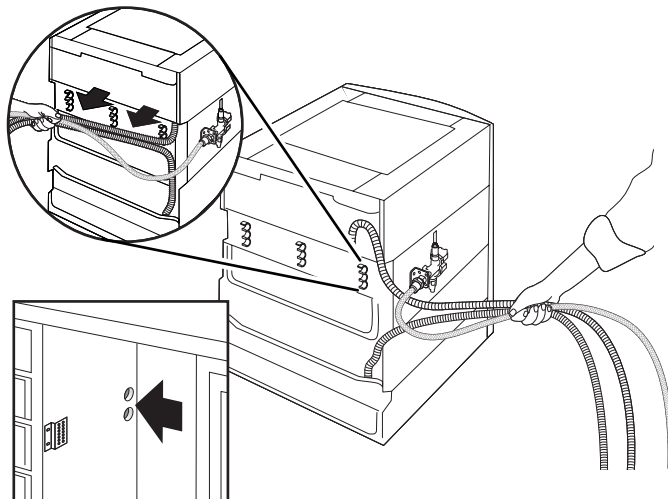
### Option 1: Right-hand side utility access

- For right-hand routing, water supply and drain hoses are shipped in the correct position. Place the water supply line in the clip as shown.

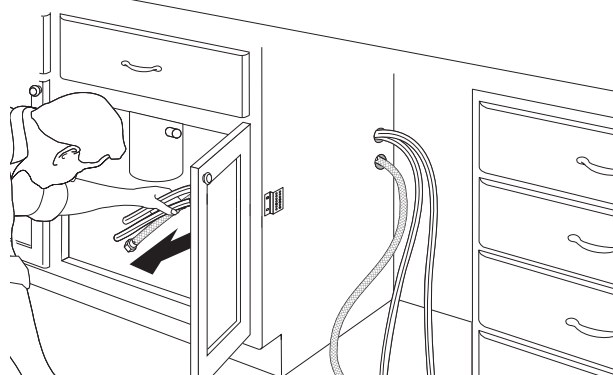


### Option 2: Left-hand side utility access

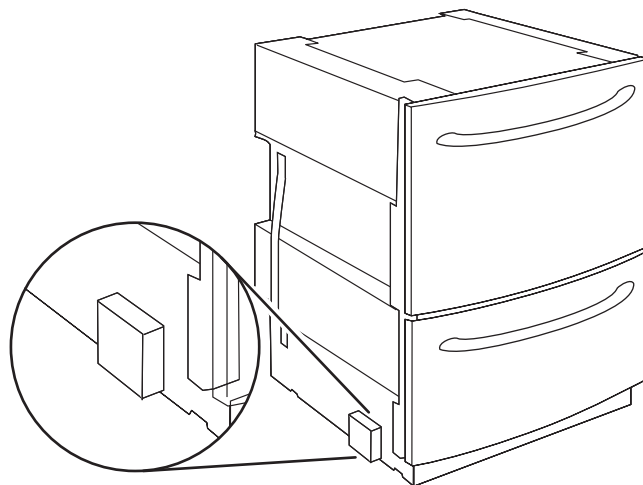
- For left-hand routing, remove drain hoses from the clips in the rear bracket as shown.



- Route water supply line and drain hoses into the cabinet.

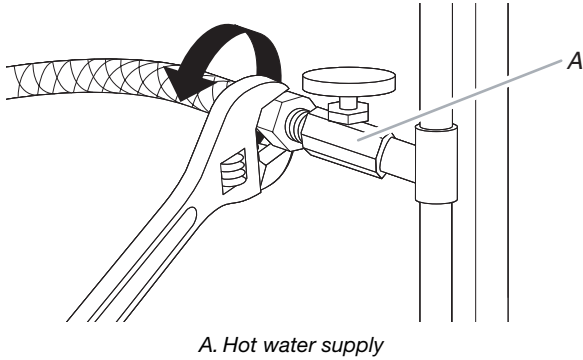


- Slide dishwasher partway into the cabinet opening. Allow for access to the electrical terminal box.

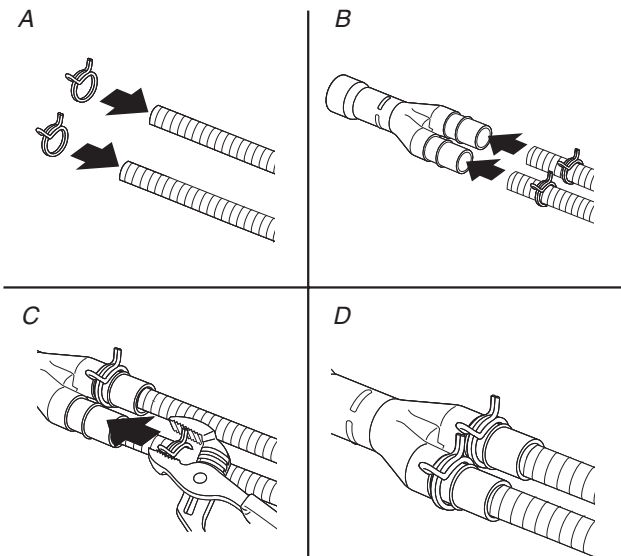


## Connect Water Supply Line and Drain Hoses

1. Connect water supply line to the water valve under the sink.

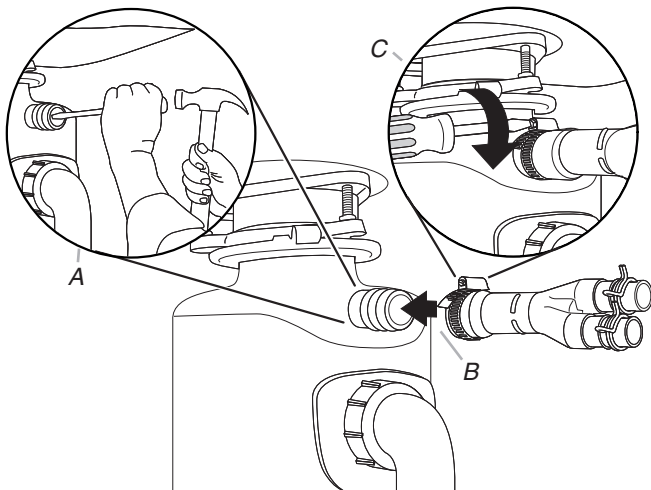


2. Slide clamps onto drain hoses (Figure A). Do not cut drain hoses.
3. Push hoses into Y drain connector until fully seated (Figure B). Several "clicks" will be heard.
4. Slide clamps into position (figures C and D).



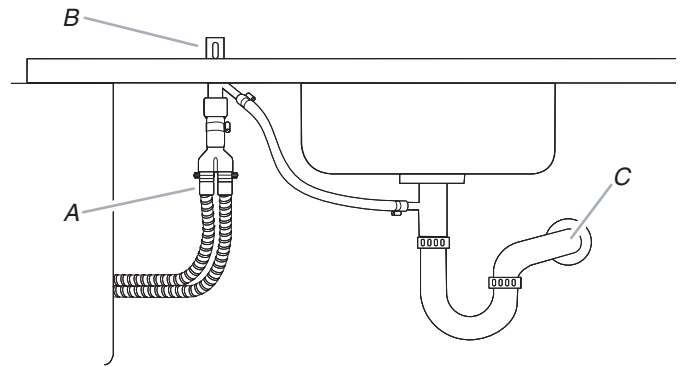
5. Connect the drain hose using one of the following options:

### Option 1: Waste disposer no drain air gap



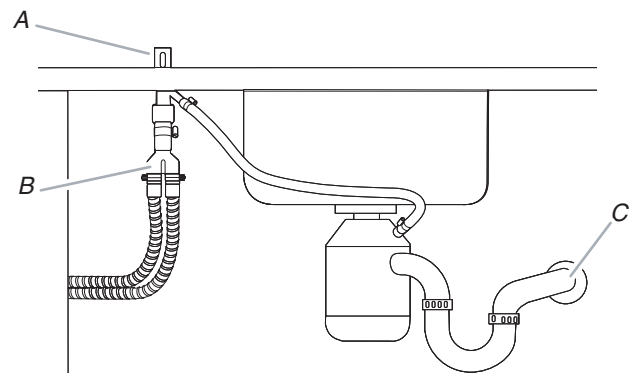
- A. For new construction, remove disposer plug.
- B. Connect drain connector to waste disposer.
- C. Tighten clamp.

### Option 2: No waste disposer and drain air gap



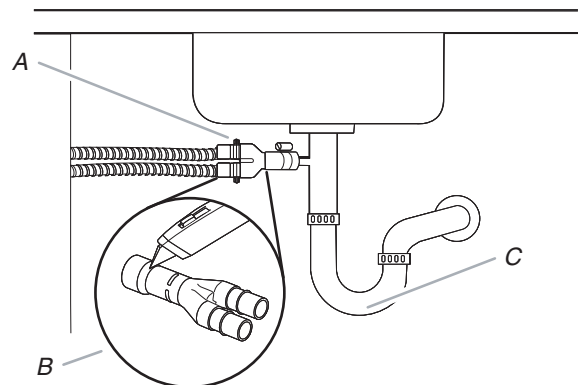
- A. Drain hose connector
- B. Drain air gap
- C. Waste

### Option 3: Waste disposer and drain air gap



- A. Drain hose connector
- B. Drain air gap
- C. Waste

### Option 4: No waste disposer, no drain air gap



- A. Drain hose connector
- B. Cut drain connector
- C. Waste

**NOTE:** Attach the drain hose connector to the water waste line using the supplied hose clamp.

6. Turn on water and check for leaks.

## Make Electrical Connection

### ⚠ WARNING

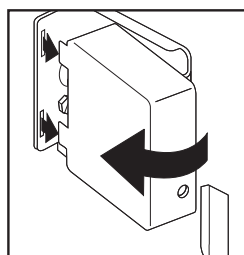
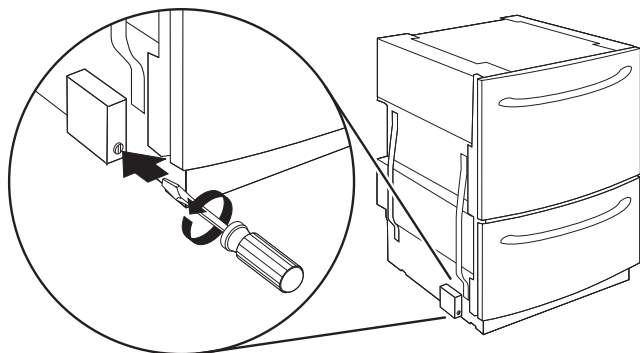


#### Electrical Shock Hazard

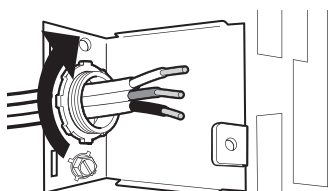
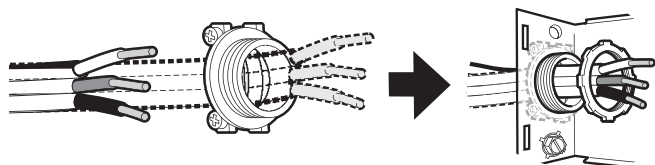
**Disconnect electrical power at the fuse box or circuit breaker box before installing dishwasher.**

**Failure to do so can result in death or electrical shock.**

1. Remove screw securing the electrical box cover. Remove cover.



2. Route electrical wires through strain relief and secure to electrical plate.



### ⚠ WARNING



#### Electrical Shock Hazard

**Electrically ground dishwasher.**

**Connect ground wire to green ground connector in terminal box.**

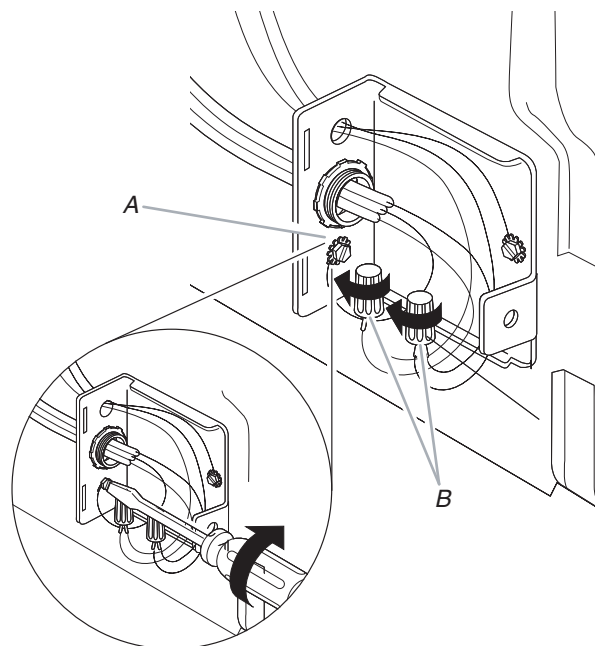
**Do not use an extension cord.**

**Failure to follow these instructions can result in death, fire, or electrical shock.**

3. Connect wires as follows using twist-on connectors sized to connect direct wire to 16 gauge dishwasher wire.

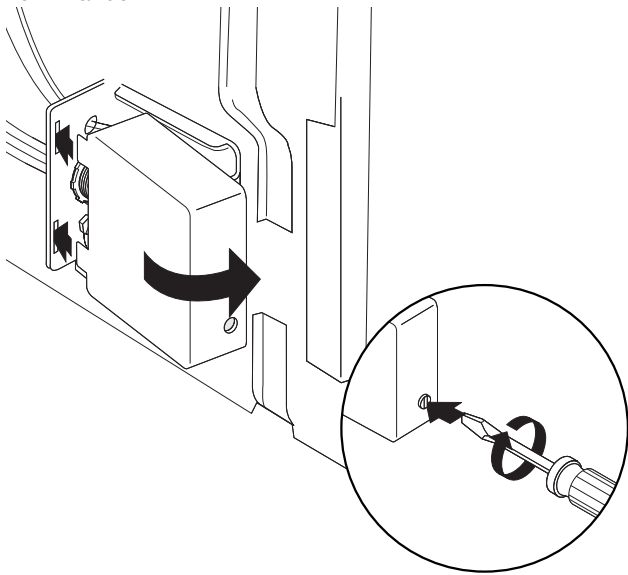
Power supply wire:		Terminal box wire:
white	↔	white
black	↔	black
ground wire	↔	ground connector

4. Attach ground wire to the green ground screw.

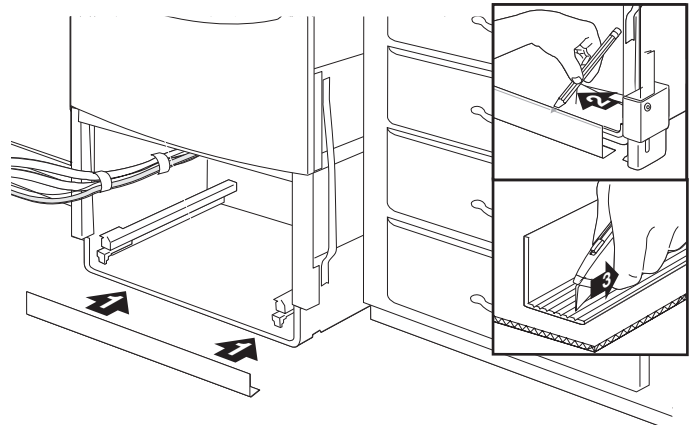


*A. Attach ground wire to green screw.  
B. Attach white and black wires.*

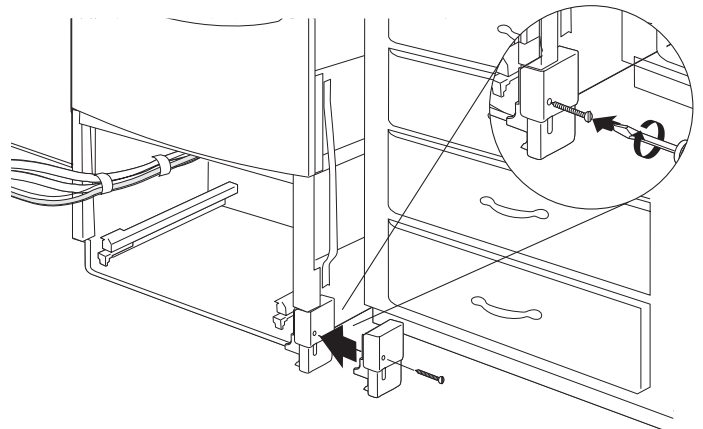
5. Reinstall electric box cover with all wires contained inside the terminal box.



4. Rest trim strip on floor and mark trim at the top of the frame flange height. Pick the closest groove to the mark. If the mark is between two grooves, choose the groove that makes the trim strip the shortest. On a protective surface, cut the trim strip at the selected groove.

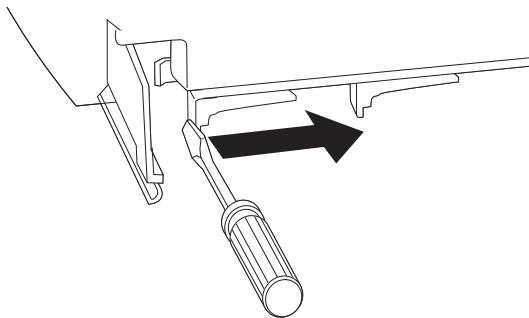


5. Attach the toe kick bracket to the frame.

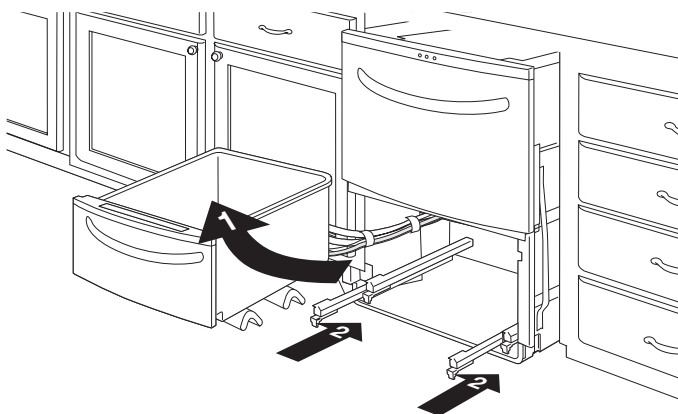


### Install Trim Pieces

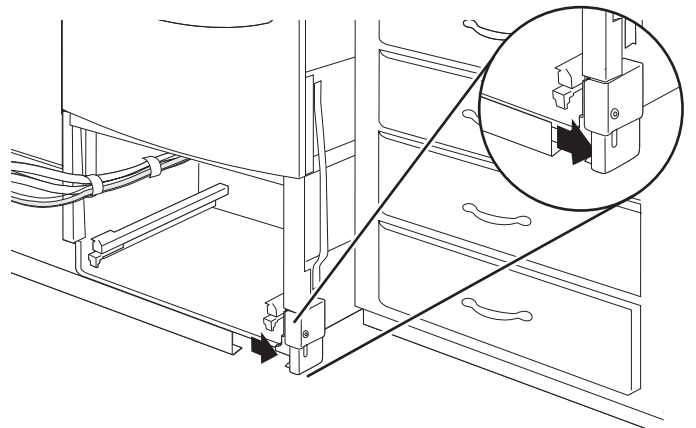
1. Open bottom drawer.
2. Push in clips and slide rails back 5" (12.7 cm).



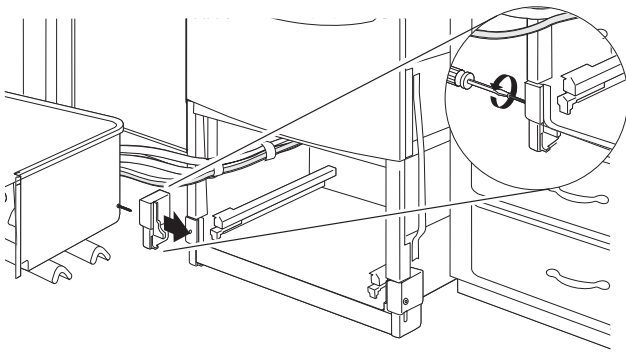
3. Lift drawer off slide rails. Place drawer off to the left on protective covering. Slide rails into dishwasher.



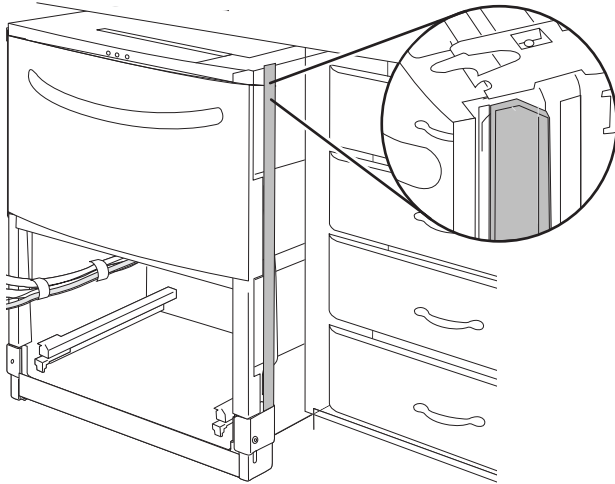
6. Place trim strip into toe kick bracket.



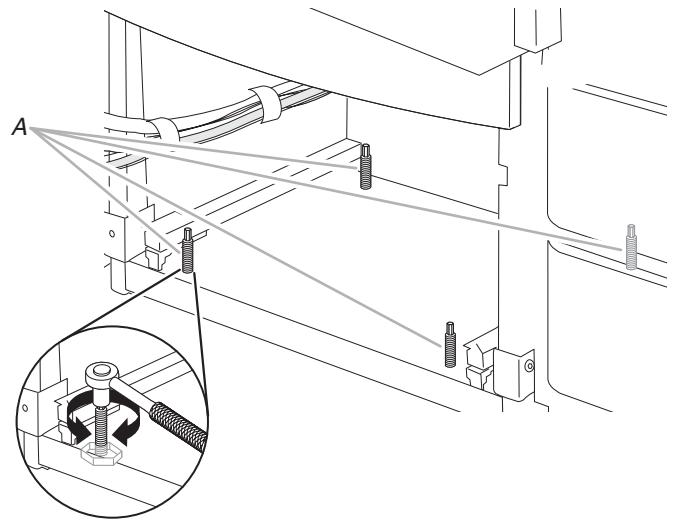
7. Attach toe kick bracket on the opposite side.



8. Place flexible side trim strips on both sides as shown.

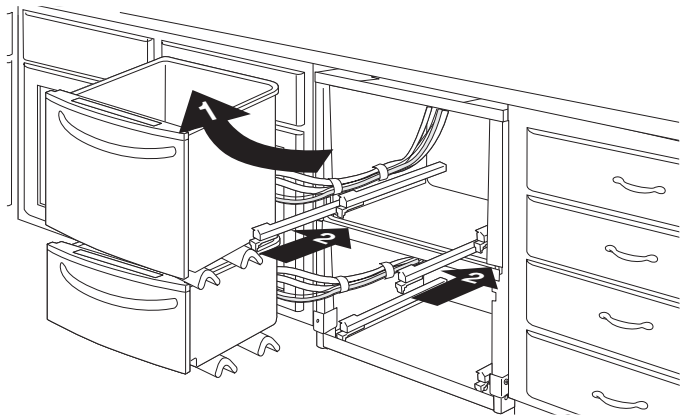


3. Adjust legs with a 3/16" socket wrench to level the dishwasher.



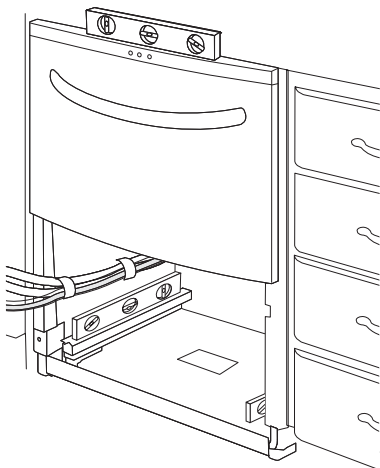
A. Adjust legs.

4. Remove top drawer (same procedure as followed to remove bottom drawer) and set drawer on bottom drawer separated with corner packaging.

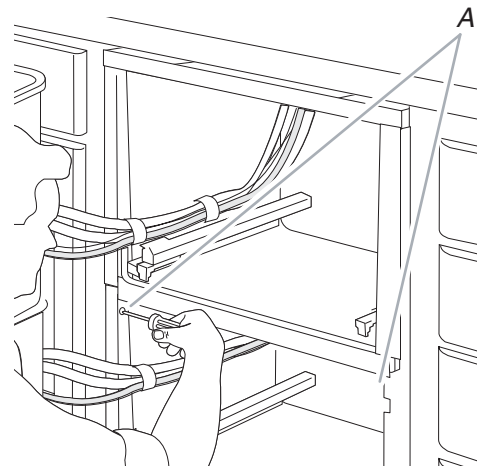


### Level and Secure Dishwasher

1. Slide the dishwasher into position in the cabinet opening. Check to ensure that the drain hose and electrical wiring are not kinked.
2. Check left to right level by placing the level on the top of the drawer. Check front to back level by placing level on the side rails.



5. Attach dishwasher to the lower cabinet mounting bracket (installed earlier).

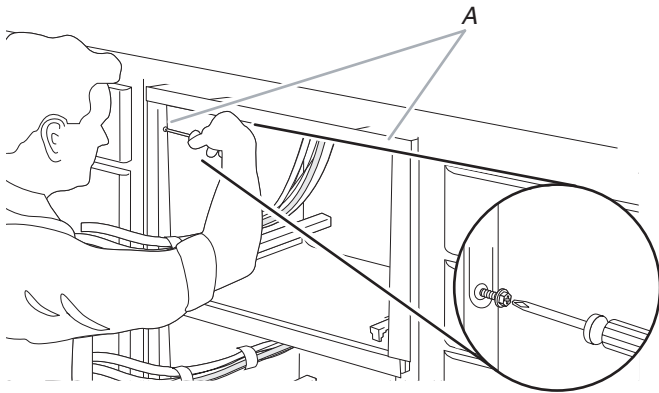


A. Attach dishwasher to lower cabinet mounting bracket.

6. Attach dishwasher to upper cabinet mounting brackets.

### Option 1: Solid surface countertop

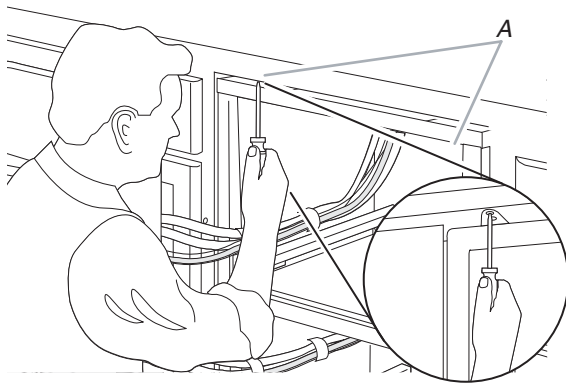
Attach dishwasher to the side cabinet mounting brackets (installed earlier).



A. Attach dishwasher to side cabinet mounting brackets.

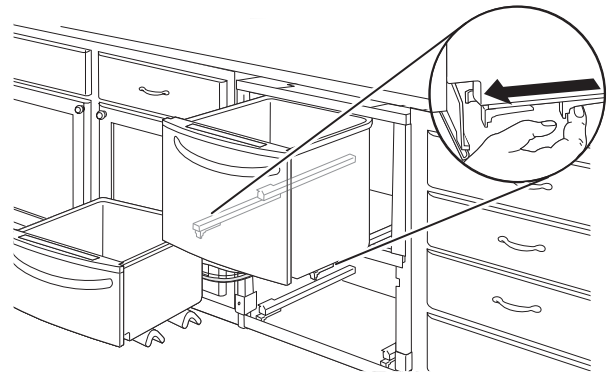
### Option 2: Wood countertop

Attach the dishwasher to the countertop using the folded over mounting tabs located on the top of the dishwasher.

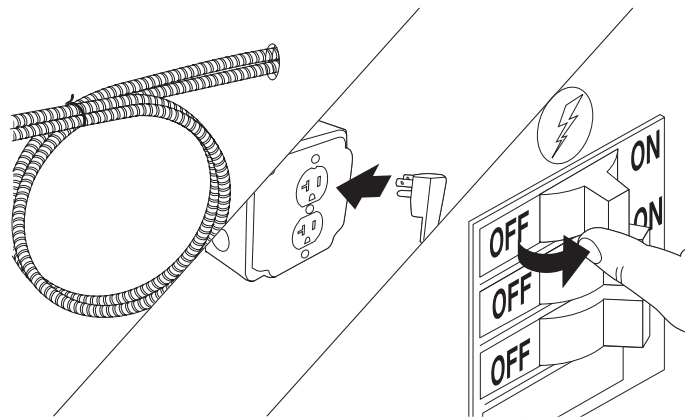


A. Attach dishwasher to countertop using folded over mounting tabs.

2. Pull side rails forward until they snap into position.



3. Push top drawer in and repeat above steps for bottom drawer.
4. In the cabinet under the sink, coil excess drain hose and wrap with a zip tie. Plug in dishwasher or reconnect the power.



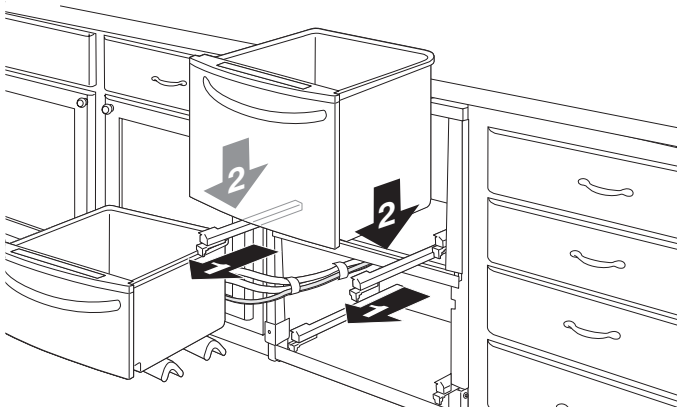
5. Select the Rinse Only cycle and press START/RESUME. Allow the dishwasher to fill, rinse and drain. Check for leaks. If leaks are found, secure the connection and repeat this step.

### If you need Assistance or Service:

Please reference the "Assistance or Service" section of the User Instructions or contact the dealer from whom you purchased your dishwasher.

## Complete Installation

1. Pull top drawer slide rails out and set top drawer on slide rails.



# OVERLAY PANEL INSTALLATION INSTRUCTIONS

## Custom Overlay Drawer Panels

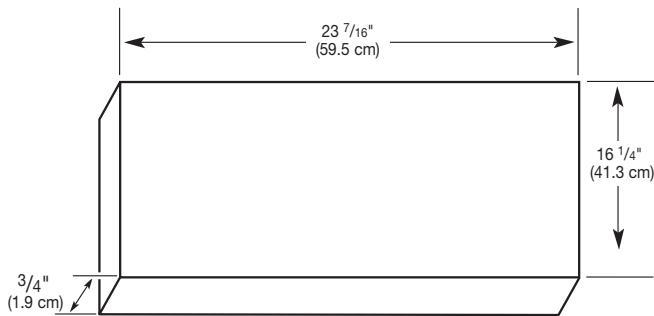
If you plan to install custom wood panels, you will need to create the panels yourself or consult a qualified cabinetmaker or carpenter. See dimension drawings for panel specifications.

### IMPORTANT:

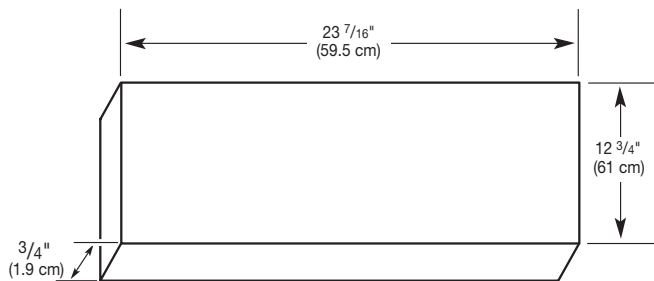
- The thickness of the overlay panel must be  $\frac{1}{2}$ " (12.7 mm) to  $\frac{3}{4}$ " (19.05 mm).
- Do not exceed the height dimension for the overlay panel(s). Panel(s) that exceed the height dimension may damage the drawer dishwasher, cabinets or countertop.
- The width of the overlay panel(s) may vary according to the width of the cabinet opening.

## Overlay Panel Dimensions

### Upper drawer panel



### Lower drawer panel

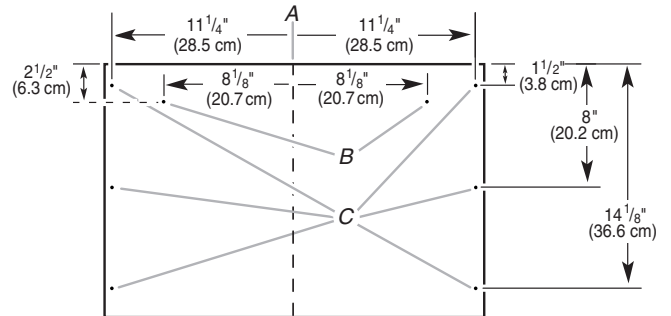


## Hardware Installation

Center the hardware (left to right) onto the overlay panel. When installing the hardware, be sure that the mounting screws are flush with the back of the overlay panel(s).

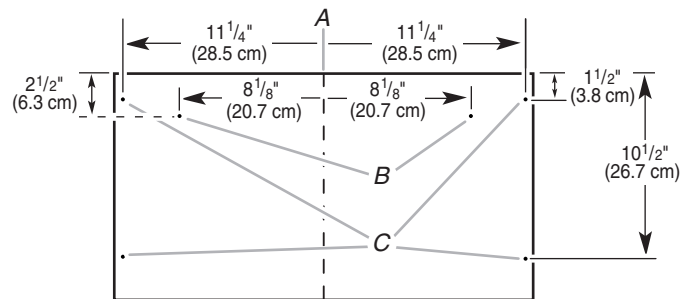
## Preparing Custom Panels

1. Lay the custom panels (top and bottom) face down on a clean, soft work surface.
2. Using a pencil, mark the centerpoints for the two panel fastener pilot holes and six pilot holes needed for the upper panel.



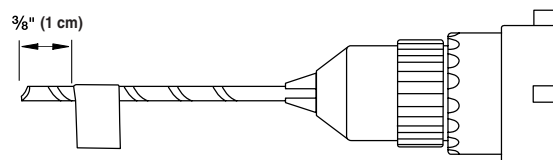
- A. Center line
- B. Panel fastener pilot holes (2)
- C. Pilot holes (6)

3. Mark the centerpoints for the two panel fastener pilot holes and four pilot holes needed for the lower panel.



- A. Center line
- B. Panel fastener pilot holes (2)
- C. Pilot holes (4)

4. Using a  $\frac{1}{8}$ " drill, drill each hole  $\frac{3}{8}$ " (1 cm) deep.



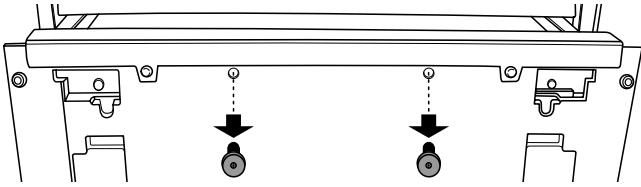
**IMPORTANT:** To avoid drilling through to the front of the overlay panel, do not drill deeper than  $\frac{3}{8}$ " (1 cm).



---

## Install Panel Fasteners

1. Remove the two panel fasteners from the face of the inner door of the upper drawer.

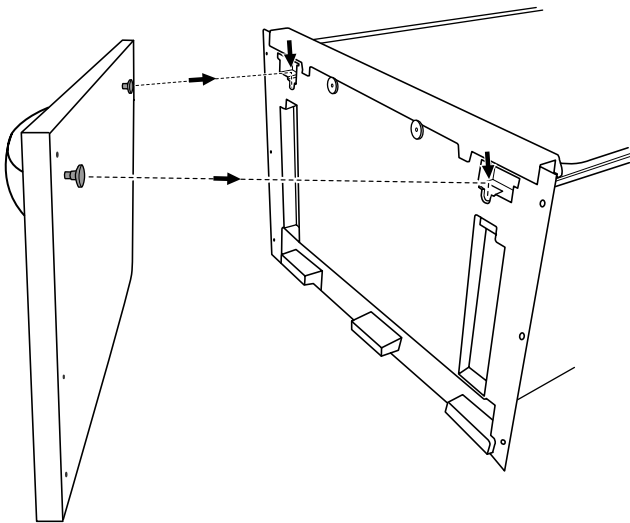


2. Screw the two panel fasteners into the panel fastener pilot holes of the overlay panel.
3. Repeat steps 1 and 2 for the lower drawer.

---

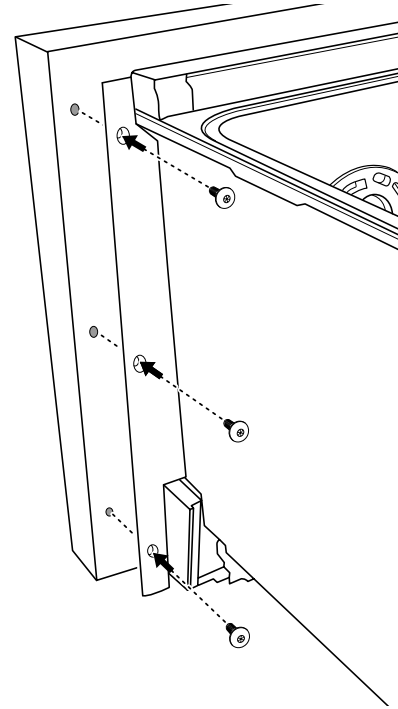
## Mount the Overlay Panel

1. Mount the upper overlay panel to the drawer by aligning the panel fasteners to the two keyhole slots and insert the panel.



2. To secure the overlay panel onto the drawer, push the overlay panel down until the top of the overlay panel is flush with the top of the control panel.

3. Using the screws provided, secure the overlay panel to the inner door by screwing through the inner door and into the 1/8" (3.175 mm) pilot holes.



4. Repeat steps 1–3 for the lower drawer.  
**NOTE:** There will only be four pilot holes (two on the left and two on the right) for the lower drawer.

---

## Notes

# SEGURIDAD DE LA LAVAVAJILLAS

## Su seguridad y la seguridad de los demás es muy importante.

Hemos incluido muchos mensajes importantes de seguridad en este manual y en su electrodoméstico. Lea y obedezca siempre todos los mensajes de seguridad.



Este es el símbolo de advertencia de seguridad.

Este símbolo le llama la atención sobre peligros potenciales que pueden ocasionar la muerte o una lesión a usted y a los demás.

Todos los mensajes de seguridad irán a continuación del símbolo de advertencia de seguridad y de la palabra "PELIGRO" o "ADVERTENCIA". Estas palabras significan:

**⚠ PELIGRO**

**Si no sigue las instrucciones de inmediato, usted puede morir o sufrir una lesión grave.**

**⚠ ADVERTENCIA**

**Si no sigue las instrucciones, usted puede morir o sufrir una lesión grave.**

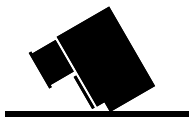
Todos los mensajes de seguridad le dirán el peligro potencial, le dirán cómo reducir las posibilidades de sufrir una lesión y lo que puede suceder si no se siguen las instrucciones.

## INSTRUCCIONES IMPORTANTES DE SEGURIDAD

**ADVERTENCIA:** Cuando use la lavavajillas siga precauciones básicas, incluyendo las siguientes:

- Lea todas las instrucciones antes de usar la lavavajillas.
- Use la lavavajillas únicamente para las funciones que fue diseñada.
- Use únicamente detergentes o agentes de enjuague recomendados para ser usados en las lavavajillas y manténgalos fuera del alcance de los niños.
- Al introducir los artículos para lavar:
  - 1) Coloque los artículos puntiagudos de manera que no dañen el sello de la puerta
  - 2) Introduzca los cuchillos filosos con los mangos hacia arriba para reducir el riesgo de cortaduras.
- No lave artículos de plástico que no lleven la indicación "lavables en la lavavajillas" u otra similar. Lea las recomendaciones del fabricante para los artículos de plástico que no lleven tal indicación.
- No toque el elemento de calefacción durante o inmediatamente después de usar la lavavajillas.
- No haga funcionar la lavavajillas a menos que todos los paneles estén colocados debidamente en su lugar.
- No juegue con los controles.
- No abuse, ni se siente ni se pare sobre la puerta, la tapa o sobre las canastas de la lavavajillas.
- Para reducir el riesgo de lesión, no permita que los niños jueguen dentro ni sobre la lavavajillas.
- Bajo ciertas condiciones, un sistema de agua caliente que no ha sido usado por dos semanas o más puede producir gas hidrógeno. **EL GAS HIDRÓGENO ES EXPLOSIVO.** Si el sistema de agua caliente no ha sido usado por ese período, abra todas las llaves de agua caliente y deje que corra el agua por varios minutos antes de usar la lavavajillas. Esto permitirá que los gases acumulados escapen. Debido a que el gas es inflamable, no fume ni encienda ninguna llama cerca de la llave durante este tiempo.
- Quite la puerta o la tapa del compartimento de lavado cuando remueva o deje de usar para siempre una vieja lavavajillas.

## GUARDE ESTAS INSTRUCCIONES



**⚠ ADVERTENCIA**

### Peligro de Vuelco

**No abra el cajón de la lavavajillas hasta que la misma esté dentro de la abertura del armario.**

**No seguir estas instrucciones puede ocasionar la muerte o heridas serias.**

### Usted necesita:

- Abrir espacio el cajón de la lavavajillas mientras otra persona agarra la parte posterior de la lavavajillas. Quite el material de transporte. Cierre el cajón de la lavavajillas. Cierre y asegure el cajón de la lavavajillas.
- Observar todos los códigos y reglamentos aplicables.

- Instalar esta lavavajillas como se especifica en estas instrucciones.
- Tener todo lo necesario para instalar la lavavajillas adecuadamente.
- Ponerse en contacto con un instalador calificado para asegurarse de que la lavavajillas haya sido instalada de manera que cumpla con todos los códigos y ordenanzas eléctricos y de plomería nacionales y locales.

## REQUISITOS DE INSTALACIÓN

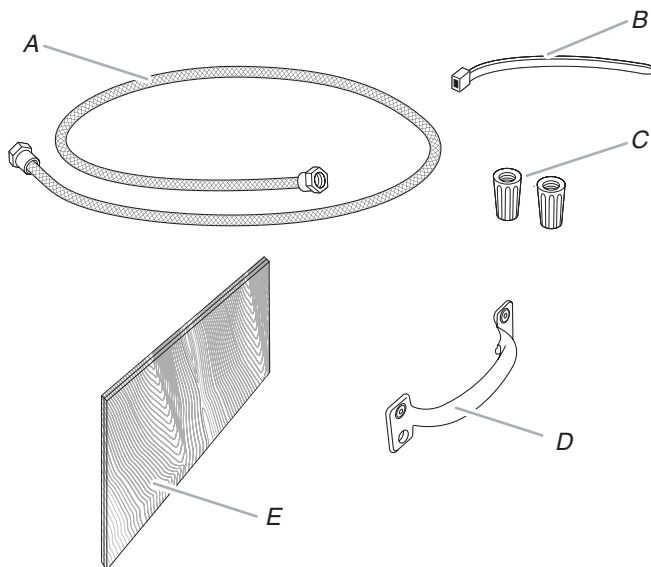
### Piezas y herramientas

Reúna las herramientas y piezas necesarias antes de comenzar la instalación. Lea y siga las instrucciones provistas con cualquiera de las herramientas enlistadas aquí.

#### Herramientas necesarias

- Pinzas
- Destornillador Phillips
- Destornillador de hoja plana
- Llave de tuercas o llave de tubo hexagonal de  $\frac{3}{16}$ " y  $\frac{1}{4}$ ".
- Cinta de medir o regla
- Sierra perforadora de  $1\frac{1}{2}$ "
- Llave de tuercas ajustable de 10"
- Cuchillo para uso general
- Nivel
- Taladro eléctrico
- Broca de  $\frac{1}{8}$ "
- Destornillador de seguridad T-20 TORX®† (si va a instalar paneles frontales a la medida)

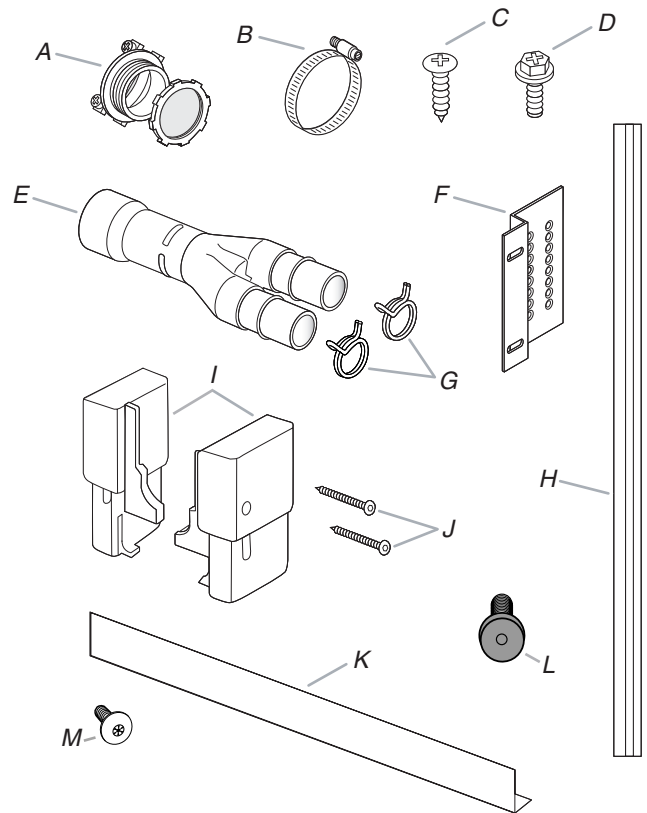
#### Piezas necesarias



- A. Línea de suministro de agua flexible de 60" (152,4 cm)
- B. Atadura
- C. 2 conectores de tamaño apropiado para cables que se encuentren en la lista de UL
- D. Manija (si va a instalar paneles frontales a la medida)
- E. Panel recubierto (si va a instalar paneles frontales a la medida)

#### Piezas suministradas

Verifique que estén todas las piezas.



- A. Protector de cables de  $\frac{3}{4}$ " que esté en la lista de UL
- B. Abrazadera para manguera de 1,25"
- C. 8 tornillos para los soportes de montaje
- D. 4 tornillos de montaje para la unidad
- E. Conector de desagüe en forma de "Y"
- F. 4 soportes de montaje
- G. Abrazaderas tipo resorte para el conector del desagüe
- H. 2 tiras de adorno
- I. Soportes para la cubierta protectora
- J. 2 tornillos para el soporte de la cubierta protectora
- K. Adorno para la cubierta protectora
- L. 2 sujetadores para panel (en algunos modelos)
- M. 10 tornillos TORX®† (en algunos modelos)

†®TORX es una marca registrada de Textron Innovations Inc.

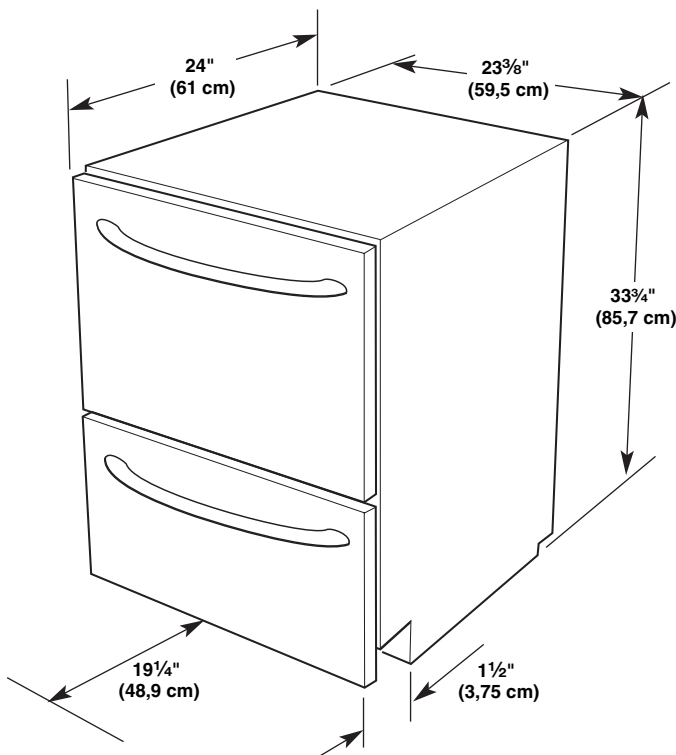
## Requisitos de ubicación

**IMPORTANTE:** Observe todos los códigos y reglamentos aplicables. Si no se siguen los códigos y ordenanzas, esto podría hacer que se produzca un incendio o choque eléctrico.

La instalación correcta es su responsabilidad.

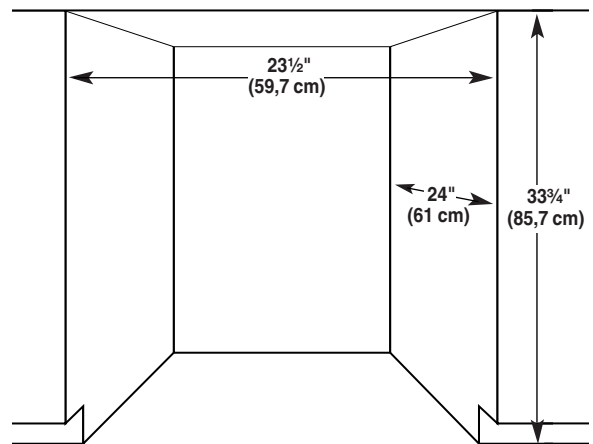
- Póngase en contacto con un instalador calificado para asegurarse que la lavavajillas haya sido instalada de manera que cumpla con todos los códigos y ordenanzas eléctricos y de plomería nacionales y locales.
- Instale la lavavajillas como se especifica en estas instrucciones.
- Tenga todo lo necesario para instalar la lavavajillas adecuadamente.
- Proteja la lavavajillas y las líneas de agua que dan a la lavavajillas contra el congelamiento. Los daños ocasionados por congelación no están cubiertos bajo la garantía.
- Esta lavavajillas fue fabricada únicamente para uso interior.
- Instale y nivele la lavavajillas en un piso que pueda soportar su peso y en un área adecuada para su tamaño y uso.

## Medidas del producto

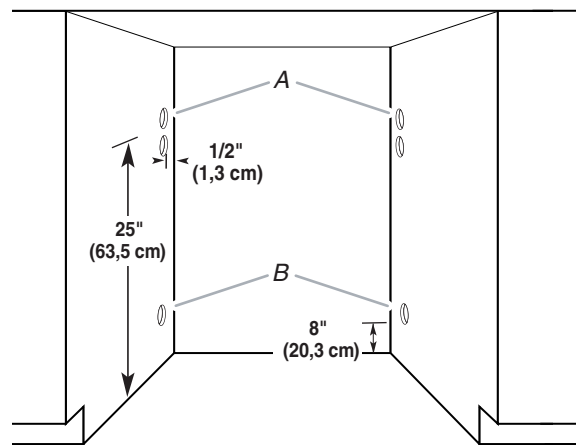


## Espacios libres para la instalación

### Dimensiones de corte



### Área de servicio preferida



**NOTA:** Todos los orificios deben ser taladrados con un diámetro de 1<sup>1</sup>/<sub>2</sub>" (3,8 cm).

## Requisitos del suministro de agua

- Una tubería de agua caliente con presión de agua de 20-120 lb/pulg<sup>2</sup> (138-862 kPa).
- Temperatura del agua entrando a la lavavajillas de 120°F (49°C).
- Línea de llenado de acero inoxidable flexible trenzado (no se recomienda una tubería de plástico de un mínimo de 1/2" (1,3 cm)).

## Requisitos eléctricos

### ⚠ ADVERTENCIA



#### Peligro de Choque Eléctrico

Conecte a un contacto de pared de conexión a tierra de 3 terminales.

No quite la terminal de conexión a tierra.

No use un adaptador.

No use un cable eléctrico de extensión.

No seguir estas instrucciones puede ocasionar la muerte, incendio o choque eléctrico.

### INSTRUCCIONES DE CONEXIÓN A TIERRA

#### ■ Para una lavavajillas con cable eléctrico y conexión a tierra:

La lavavajillas debe estar conectada a tierra. En caso de funcionamiento defectuoso o avería, la conexión a tierra reduce el riesgo de choque eléctrico al establecer una ruta de menor resistencia para la corriente eléctrica. La lavavajillas viene equipada con un cable eléctrico que tiene un conductor para conexión a tierra y un enchufe con conexión a tierra. El enchufe debe ser conectado a un contacto apropiado que esté instalado y conectado a tierra de acuerdo con todos los códigos y ordenanzas locales.

**ADVERTENCIA:** La conexión inadecuada del conductor de conexión a tierra puede resultar en riesgo de choque eléctrico. Pregunte a un electricista calificado o a un agente de servicio si no está seguro si la lavavajillas está adecuadamente conectada a tierra. No modifique el enchufe que viene con la lavavajillas. Si no cabe en el contacto, pida que un electricista calificado instale un contacto apropiado.

#### ■ Para lavavajillas con conexión permanente:

La lavavajillas debe estar conectada a un sistema de alambrado eléctrico con conexión a tierra de metal o a un conductor de conexión a tierra y conectado a la terminal de conexión a tierra o conductor en la lavavajillas.

### GUARDE ESTAS INSTRUCCIONES

Póngase en contacto con un electricista calificado.

Asegúrese que la conexión eléctrica sea adecuada y de conformidad con todos los códigos y ordenanzas locales.

Usted debe tener:

- Un suministro eléctrico de 120 voltios, 60 hertzios, CA solamente, de 15 ó 20 amperios y protegido con fusible.
- Solamente alambre de cobre.

Recomendamos:

- Un fusible retardador o un cortacircuitos.
- Un circuito separado.

#### Si va a hacer un cableado directo para la lavavajillas:

- Use alambre de cobre blindado flexible o forrado no metálico con el alambre de puesta a tierra, el cual cumpla con los requisitos de cableado para su casa y con los códigos y ordenanzas locales.
- Use el método de protector de cables provisto con la caja de empalmes del cableado de la casa, o instale un conector tipo abrazadera que esté en la lista de UL y certificado por CSA, a la caja de empalmes del cableado de la casa. Si va a usar un conducto, utilice un conector de conducto que esté en la lista de UL y sea certificado por CSA.

#### Si va a conectar la lavavajillas con un cable de suministro eléctrico:

- Use el juego del cable de suministro eléctrico (pieza N°. 4317824), que esté marcado para usarse con lavavajillas. El juego incluye:
  - Cable de suministro eléctrico de 3 hilos, calibre 16, en la lista de UL, marca Voltex, Inc. con un enchufe con conexión a tierra de 3 hilos.
  - Protector de cables marca Neer C-500 de 3/8"
  - Conectores para 3 hilos.
  - Aro de refuerzo pieza N°. 302797

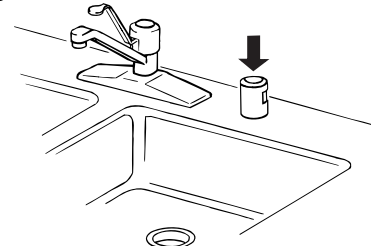
Para la instalación del cable de suministro eléctrico, siga las instrucciones del juego.

- El cable de suministro eléctrico debe conectarse a un contacto apropiado de pared de 3 terminales, con conexión a tierra, ubicado en el armario que se encuentra al lado de la abertura de la lavavajillas. El contacto debe cumplir con todos los códigos y ordenanzas locales.

**IMPORTANTE:** Si planea instalar un recipiente de desechos, se requiere tener un suministro eléctrico separado adicional, de 120 voltios, 60 Hz, CA solamente, de 15 ó 20 amperios, con fusible.

## Requisitos de desagüe

- Use la manguera nueva de desagüe provista con su lavavajillas. Si no es lo suficientemente larga, use una manguera de desagüe nueva con una longitud máxima de 12 pies (3,7 m), que cumpla con todos los estándares de prueba actuales de AHAM/IAMPO (por sus siglas en inglés, los Fabricantes Estadounidenses de Electrodomésticos para Uso Doméstico y la Asociación Internacional de Funcionarios de Fontanería y Mecánica), que sea resistente al calor y al detergente y encaje en el conector de desagüe de 1" (2,5 cm) de la lavavajillas.
- Conecte la manguera de desagüe al tubo de desperdicios en "T" o a la entrada del recipiente de desechos que se encuentra arriba del sifón de desagüe en la tubería de la casa, y a un mínimo de 20" (50,8 cm) del piso. Se recomienda que la manguera de desagüe se enlace y quede asegurada firmemente a la parte inferior del mostrador, o que se conecte a una purga de aire.



- Use una purga de aire del desagüe si la manguera de desagüe está conectada a la tubería de la casa a una altura menor a las 20" (50,8 cm) sobre el contrapiso o el piso.

- Use accesorios para la línea de desagüe con un diámetro interior de 1/2" (1,3 cm) como mínimo.

## INSTRUCCIONES DE INSTALACIÓN

### ⚠ ADVERTENCIA



#### Peligro de Choque Eléctrico

Desconecte el suministro de energía en la caja de fusibles o cortacircuitos antes de instalar la lavavajillas.

No seguir esta instrucción puede ocasionar la muerte o choque eléctrico.

1. Desconecte el suministro de energía.
2. Cierre el suministro de agua.

### Desempaque el cajón para platos

### ⚠ ADVERTENCIA

#### Peligro de Peso Excesivo

Use dos o más personas para mover e instalar la lavavajillas.

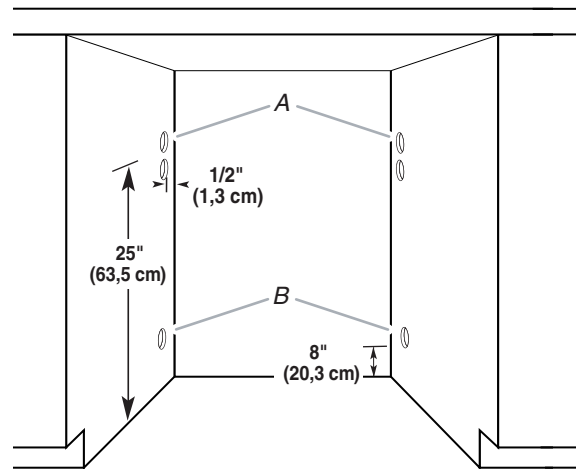
No seguir esta instrucción puede ocasionar una lesión en la espalda u otro tipo de lesiones.

1. Antes de abrirlo, lea la información importante que se encuentra en el exterior de la caja de embalaje.
2. Quite los materiales de envío, la cinta adhesiva y la película protectora de la lavavajillas. Retire el paquete de piezas del interior de la lavavajillas.

### Prepare la abertura en el armario

1. Para asegurarse de que tenga los espacios libres mínimos:
  - Mida la distancia del mostrador del armario al piso y asegúrese de tener un mínimo de 33 3/4" (85,7 cm) de altura.
  - Mida la distancia del frente del armario a la pared posterior y asegúrese de tener un mínimo de 24" (61 cm) de profundidad.
  - Mida la distancia del lado izquierdo al derecho de la abertura y asegúrese de tener un mínimo de 23 1/2" (59,7 cm) de ancho.

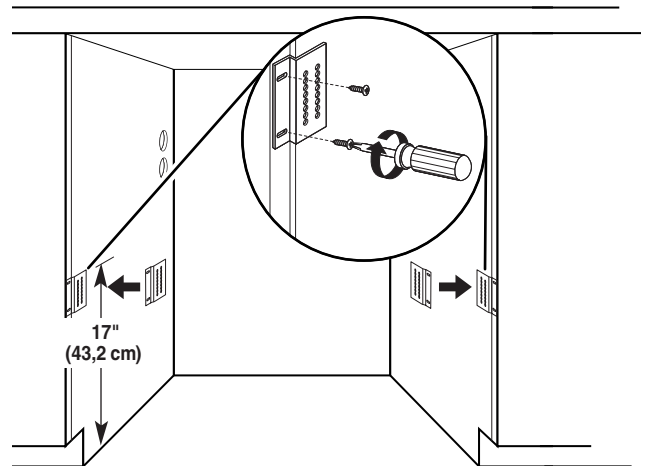
2. Taladre orificios de 1 1/2" (3,8 cm) de diámetro para las mangueras de agua y desagüe, y para el cableado eléctrico, como se muestra. Los orificios se deben hacer a una distancia de 1/2" (1,3 cm) de la pared posterior.



A. Elija una ruta hacia la derecha o hacia la izquierda para las mangueras de desagüe y de agua.

B. Elija una ruta hacia la derecha o hacia la izquierda para el cableado eléctrico.

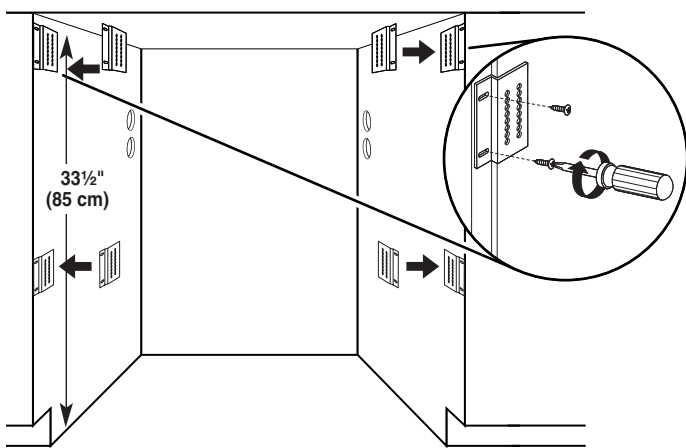
3. Instale los soportes de montaje a una distancia de 17" (43,2 cm) del piso, usando los tornillos provistos. De ser necesario, taladre orificios guía de 1/8" en el armario.



4. Decida qué método de sujeción usará para asegurar la lavavajillas al mostrador.

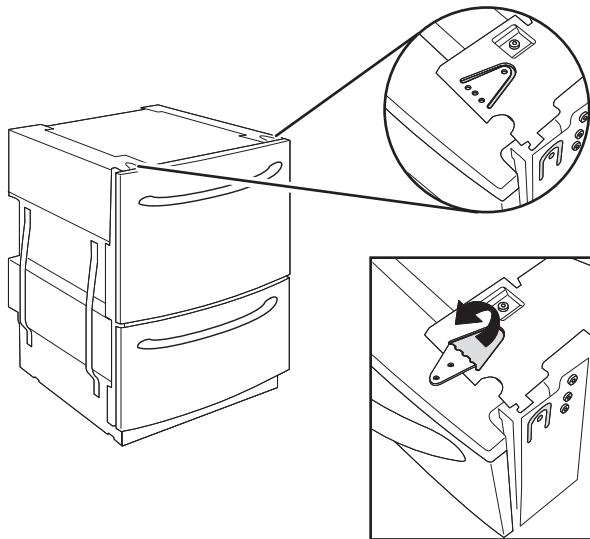
### Opción 1: Instalación para un mostrador de superficie sólida

- Instale el segundo juego de soportes de montaje a una distancia de 33½" (85 cm) del piso. De ser necesario, taladre orificios guía de ⅛" en el armario.



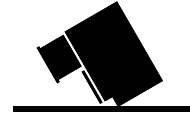
### Opción 2: Instalación para un mostrador de madera

- Prepare la lavavajillas doblando las lengüetas ubicadas en la parte frontal superior, como se muestra.



## Prepare la lavavajillas

### ⚠ ADVERTENCIA



#### Peligro de Vuelco

No abra el cajón de la lavavajillas hasta que la misma esté dentro de la abertura del armario.

No seguir estas instrucciones puede ocasionar la muerte o heridas serias.

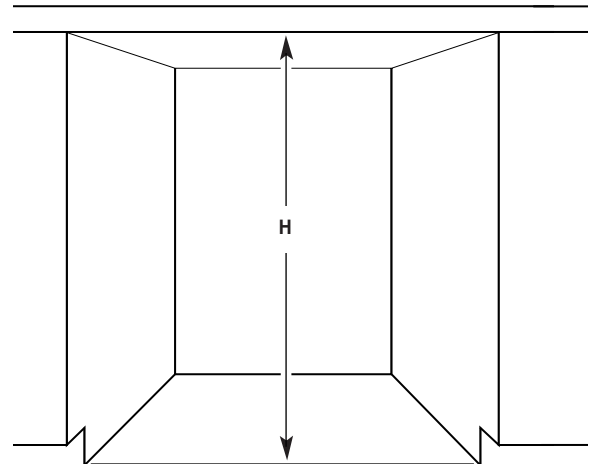
### ⚠ ADVERTENCIA

#### Peligro de Peso Excesivo

Use dos o más personas para mover e instalar la lavavajillas.

No seguir esta instrucción puede ocasionar una lesión en la espalda u otro tipo de lesiones.

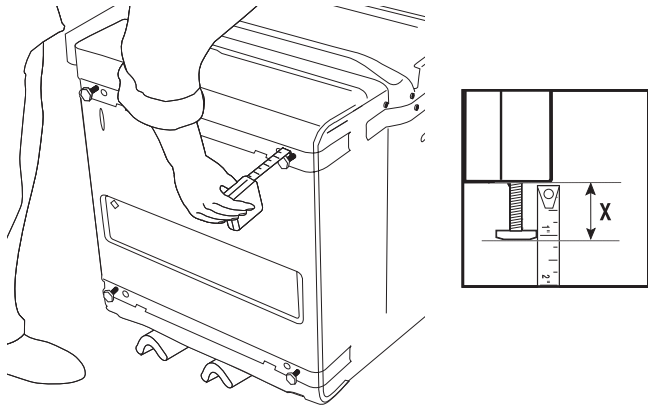
1. Mida la altura de la abertura del armario del piso a la parte inferior del mostrador.



2. Coloque los esquineros en el piso y apoye la lavavajillas sobre su lado posterior.



3. Ajuste las patas niveladoras según la medida de la abertura del armario y la tabla a continuación.



H	: X	H	: X
33 7/8" (86 cm)	: 0"	34 1/2" (87,6 cm)	: 5/8" (1,6 cm)
34" (86,3 cm)	: 1/8" (0,3 cm)	34 5/8" (87,9 cm)	: 3/4" (1,9 cm)
34 1/8" (86,7 cm)	: 1/4" (0,6 cm)	34 3/4" (88,3 cm)	: 7/8" (2,2 cm)
34 1/4" (87 cm)	: 3/8" (1 cm)	34 7/8" (88,6 cm)	: 1" (2,5 cm)
34 3/8" (87,3 cm)	: 1/2" (1,3 cm)	35" (88,9 cm)	: 1 1/8" (2,9 cm)

4. Coloque la lavavajillas en posición vertical.

### Dirija el cableado eléctrico

## ⚠ ADVERTENCIA



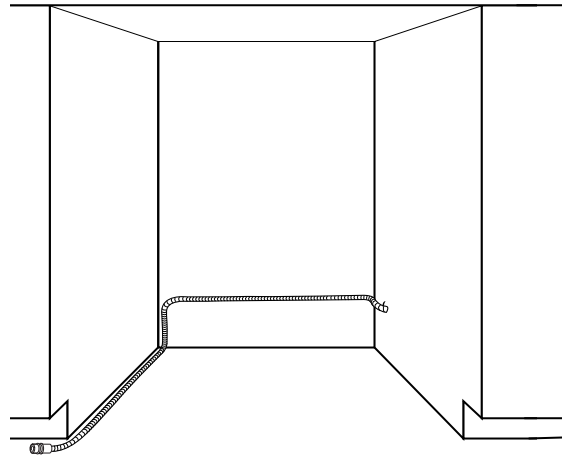
### Peligro de Choque Eléctrico

Desconecte el suministro de energía en la caja de fusibles o cortacircuitos antes de instalar la lavavajillas.

No seguir esta instrucción puede ocasionar la muerte o choque eléctrico.

Siga todos los códigos y ordenanzas locales y nacionales para completar el suministro eléctrico a la carcasa.

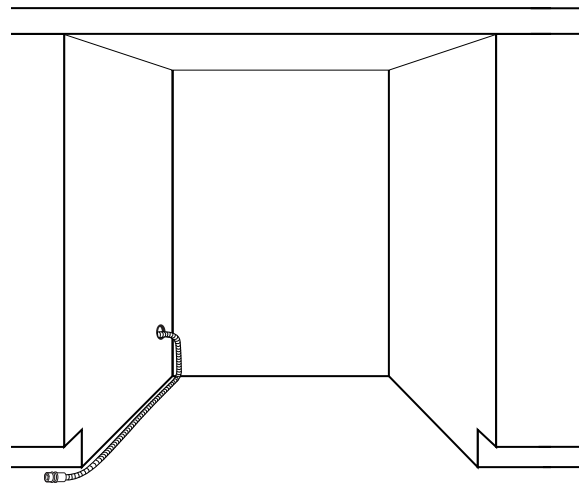
### Opción 1: Ruta de servicio del lado derecho



Dirija el cable a través del orificio de 1 1/2" (3,81 cm) ubicado a 8" (20,32 cm) del piso.

Después de dirigir el cable eléctrico a través del orificio en el lado derecho, sujete el cable al lado posterior izquierdo de la pared del armario a 8" (20,32 cm) del piso. Luego continúe dirigiendo el cable a lo largo del lado izquierdo de la abertura del armario hacia el frente de la misma.

### Opción 2: Ruta de servicio del lado izquierdo

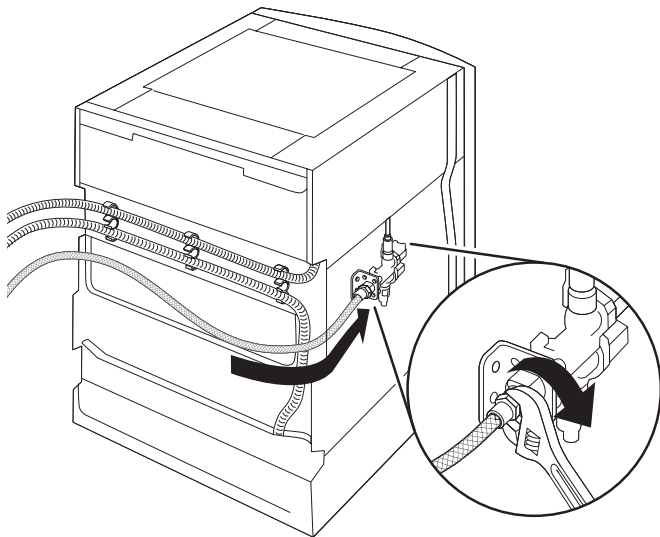


Dirija el cable a través del orificio de 1 1/2" (3,81 cm) ubicado a 8" (20,32 cm) del piso.

Después de dirigir el cable eléctrico a través del orificio en el lado izquierdo, continúe dirigiendo el cable a lo largo del lado izquierdo del armario hacia el frente de la abertura.

## Dirija la línea de suministro de agua y la manguera de desagüe

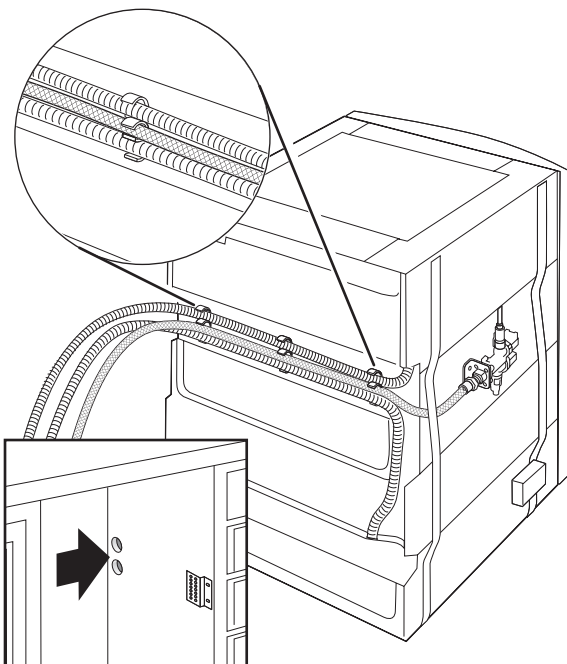
1. Conecte la línea de suministro de agua a la válvula de agua de la lavavajillas.



2. Dirija la línea de suministro de agua y las mangueras de desagüe según los requisitos de su armario.

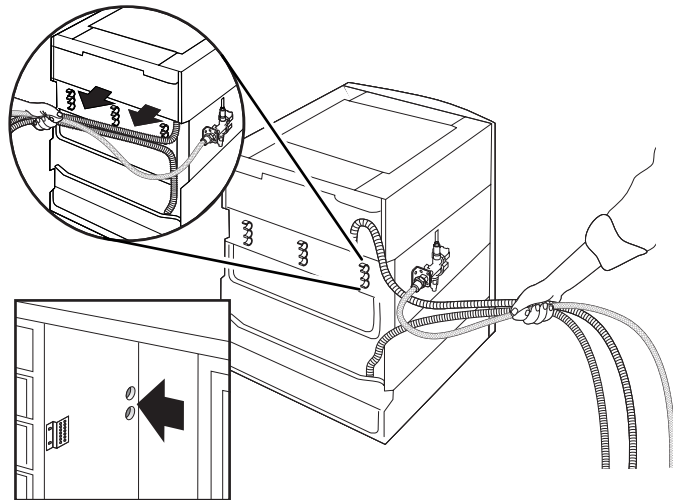
### Opción 1: Acceso de servicio por el lado derecho

- Para dirigir por el lado derecho, las mangueras de suministro de agua y de desagüe vienen empaquetadas en la posición correcta. Coloque la línea del suministro de agua en el sujetador, como se muestra.

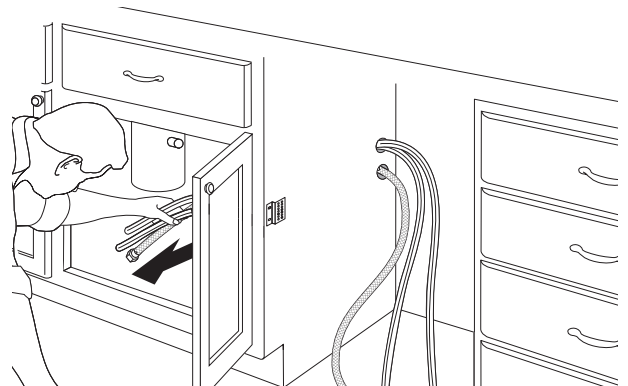


### Opción 2: Acceso de servicio por el lado izquierdo

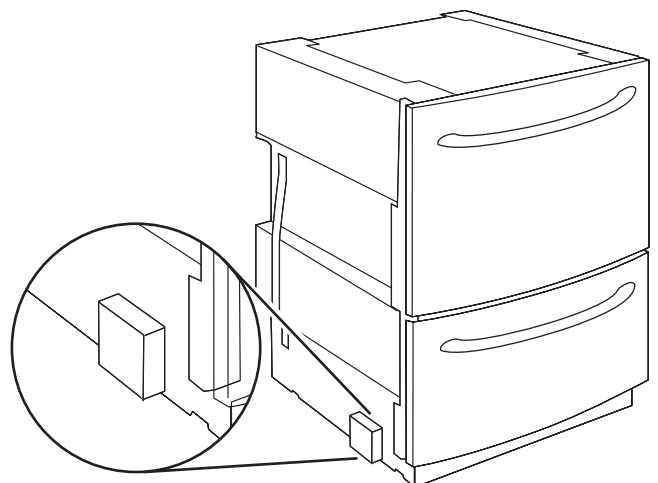
- Para dirigir por el lado izquierdo, saque las mangueras de desagüe de los sujetadores en el soporte posterior, como se muestra.



- Dirija la línea del suministro de agua y las mangueras de desagüe hacia el interior del armario.

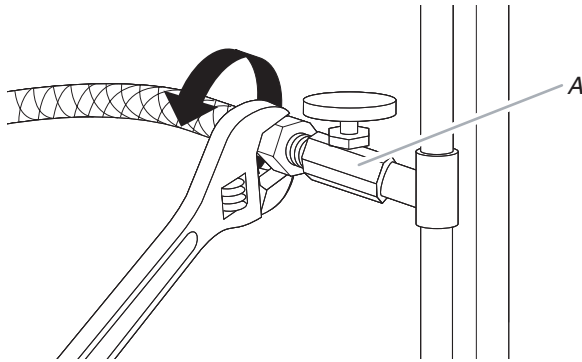


- Deslice la lavavajillas parcialmente dentro de la abertura del armario. Deje espacio para tener acceso a la caja de terminales eléctricas.



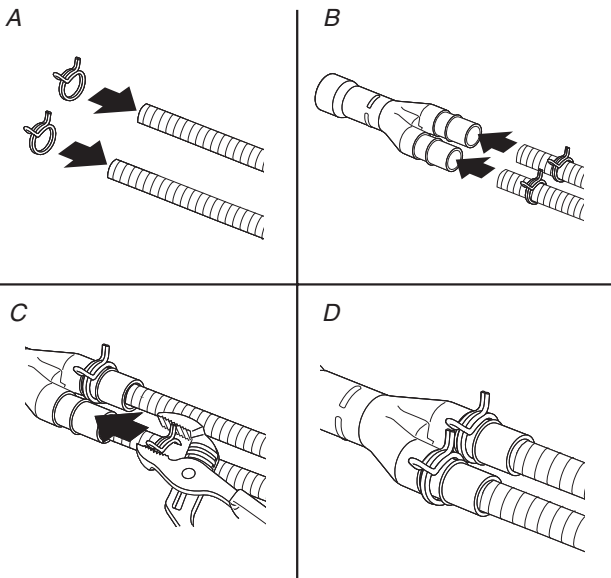
## Conecte la línea de suministro de agua y las mangueras de desagüe

1. Conecte la línea del suministro de agua a la válvula de agua que se encuentra debajo del fregadero.



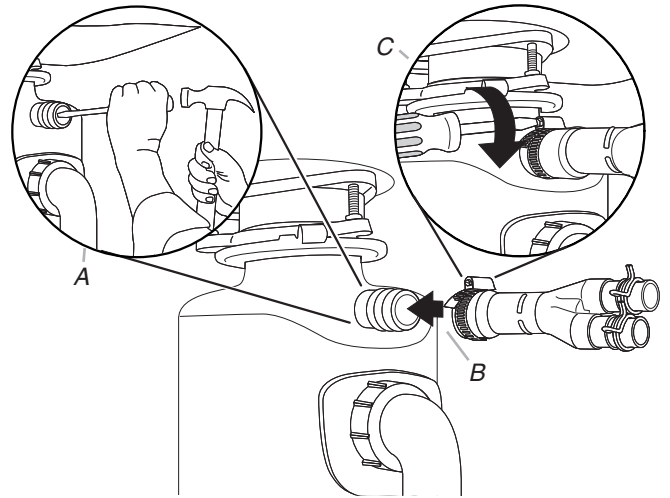
A. Suministro de agua caliente

2. Deslice las abrazaderas en las mangueras de desagüe (Figura A). No corte las mangueras de desagüe.
3. Conecte las mangueras al conector de desagüe en forma de "Y" hasta que encajen por completo (Figura B). Se escucharán varios sonidos de "clic".
4. Deslice las abrazaderas a su posición (figuras C y D).



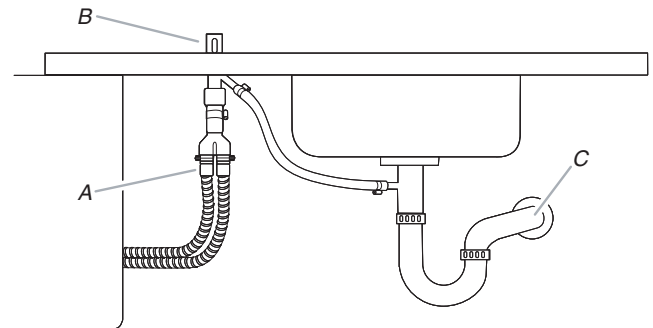
5. Conecte la manguera de desagüe usando una de las siguientes opciones:

### Opción 1: Recipiente de desechos sin purga de aire de desagüe



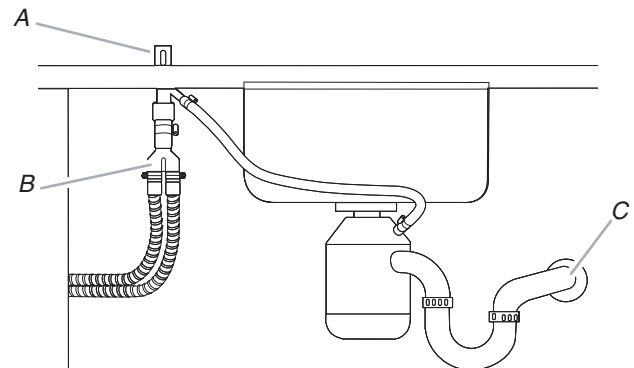
- A. Para una obra de construcción nueva, quite el tapón del recipiente de desechos.  
 B. Una el conector del desagüe al recipiente de desechos.  
 C. Apriete la abrazadera.

### Opción 2: Sin recipiente de desechos, con purga de aire de desagüe



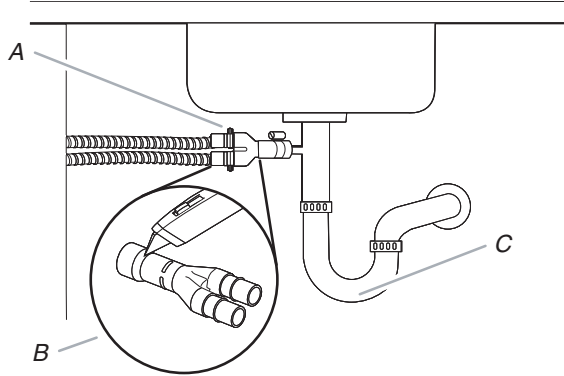
- A. Conector de la manguera de desagüe  
 B. Purga de aire del desagüe  
 C. Tubo de desechos

### Opción 3: Recipiente de desechos y purga de aire de desagüe



- A. Conector de la manguera de desagüe  
 B. Purga de aire del desagüe  
 C. Tubo de desechos

**Opción 4: Sin recipiente de desechos ni purga de aire de desagüe**



A. Conector de la manguera de desagüe  
 B. Corte el conector del desagüe  
 C. Tubo de desechos

**NOTA:** Sujete el conector de la manguera de desagüe a la línea de desechos de agua, usando la agarradera para manguera provista.

- Abra la llave del agua y revise si hay fugas.

**Conexión del suministro eléctrico**

**⚠ ADVERTENCIA**

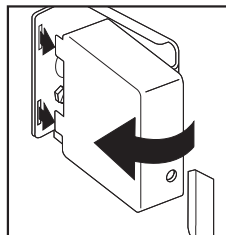
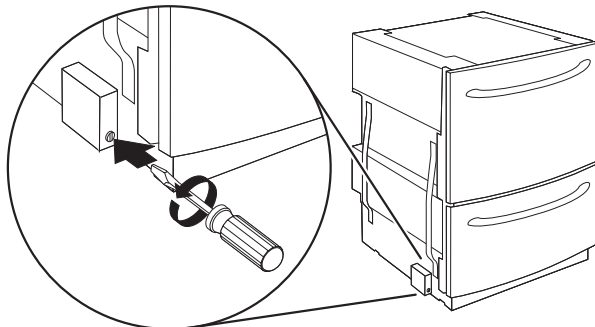


**Peligro de Choque Eléctrico**

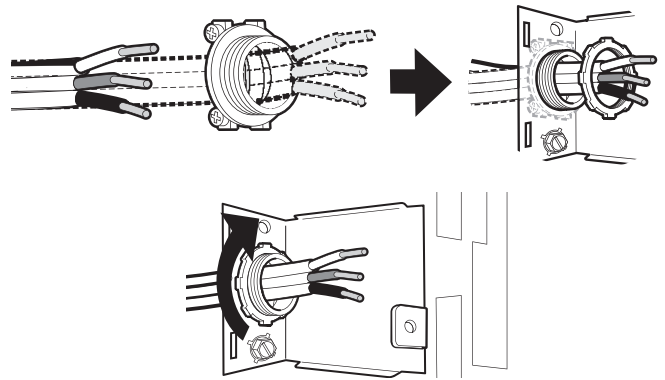
**Desconecte el suministro de energía en la caja de fusibles o cortacircuitos antes de instalar la lavavajillas.**

**No seguir esta instrucción puede ocasionar la muerte o choque eléctrico.**

- Quite el tornillo que sujeta la tapa de la caja eléctrica. Quite la tapa.



- Dirija los cables eléctricos a través del protector de cables y sujételos a la placa eléctrica.



**⚠ ADVERTENCIA**



**Peligro de Choque Eléctrico**

**Conecte a tierra la lavavajillas.**

**Conecte el alambre de conexión a tierra al conector verde de conexión a tierra en la caja de conexiones.**

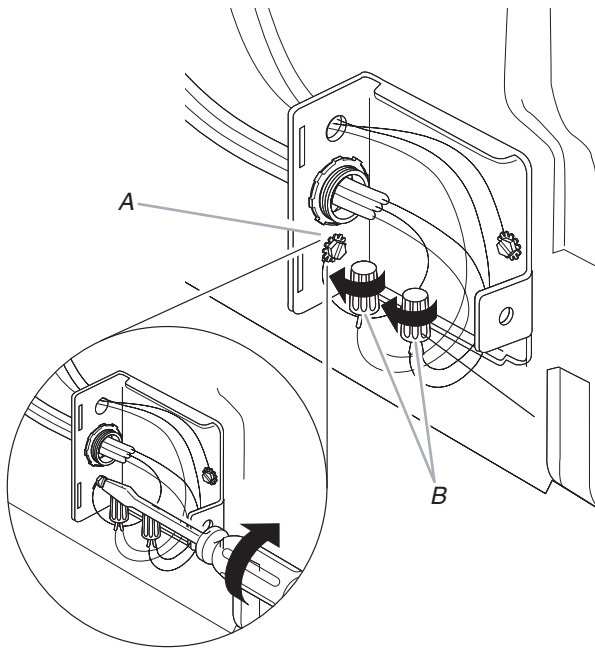
**No use extensiones eléctricas.**

**No seguir estas instrucciones puede ocasionar la muerte, incendio o choque eléctrico.**

- Conecte los cables como se describe a continuación, usando ataduras en los conectores del tamaño adecuado para conectar el cable directo al cable de la lavavajillas de calibre 16.

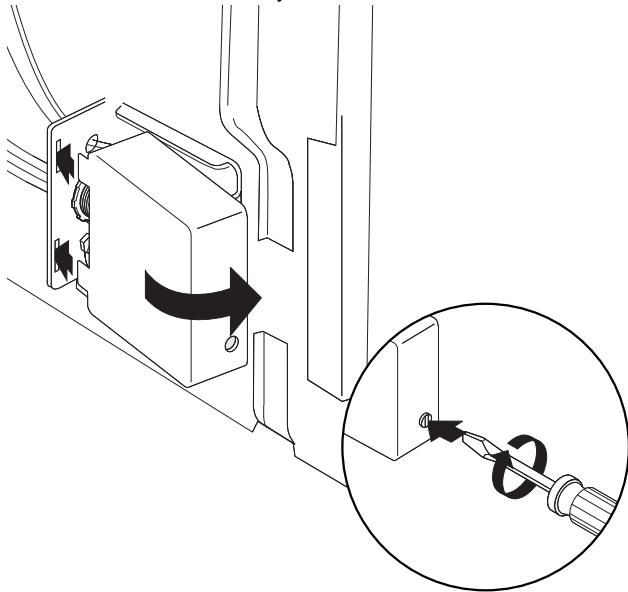
Cable de suministro eléctrico:		Cable de la caja de terminales:
blanco	↔	blanco
negro	↔	negro
alambre de puesta a tierra	↔	conector de puesta a tierra

4. Conecte el alambre de conexión a tierra al tornillo verde de conexión a tierra.



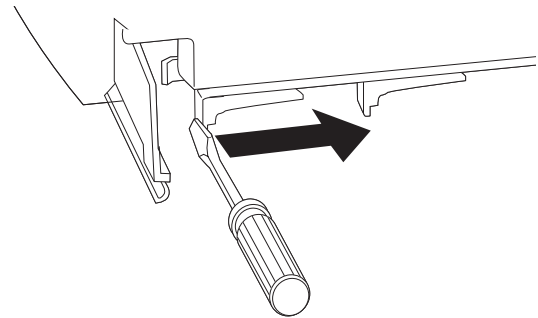
A. Sujete el alambre de conexión a tierra al tornillo verde  
B. Conecte el alambre blanco y el negro

5. Vuelva a colocar la tapa de la caja eléctrica con todos los alambres dentro de la caja de terminales.

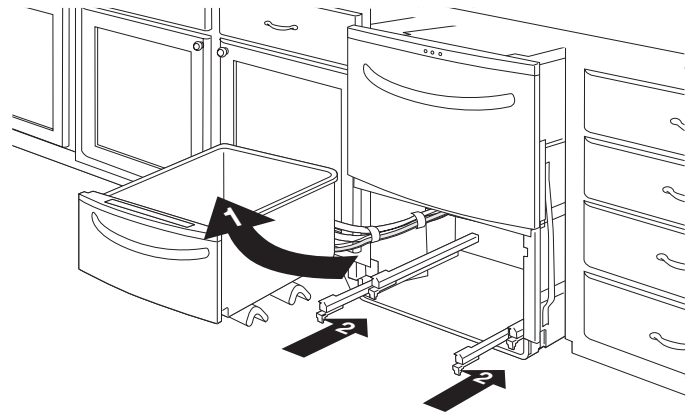


## Instale las piezas de adorno

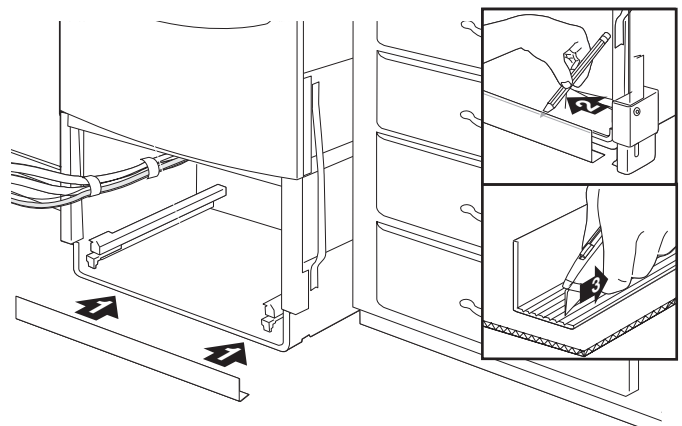
1. Abra el cajón inferior.
2. Trabe los sujetadores y deslice los rieles 5 pulg (12,7 cm) hacia dentro.



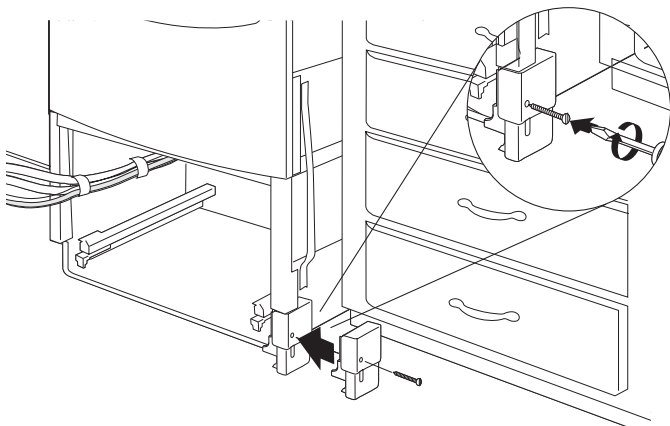
3. Levante y quite el cajón de los rieles deslizables. Coloque el cajón a la izquierda, sobre una cubierta protectora. Deslice los rieles dentro de la lavavajillas.



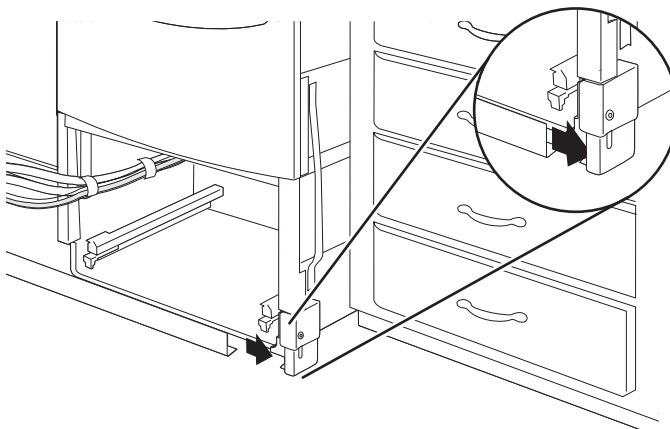
4. Coloque la tira de adorno en el piso y haga una marca en el mismo, en la parte superior del largo del reborde del marco. Elija la ranura más cercana a la marca. Si la marca se encuentra entre dos ranuras, elija la ranura que hace la tira de adorno más corta. Sobre una superficie protectora, corte la tira de adorno en la ranura elegida.



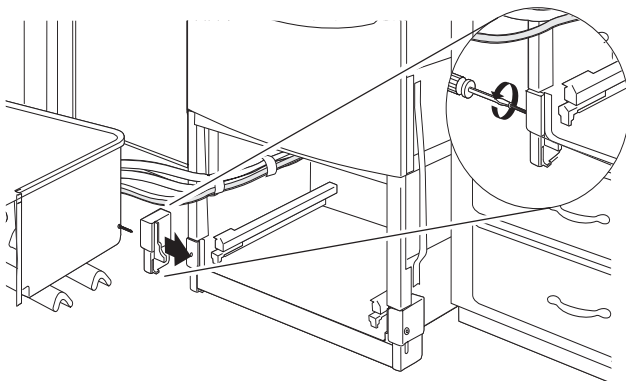
5. Sujete el soporte de la cubierta protectora al marco.



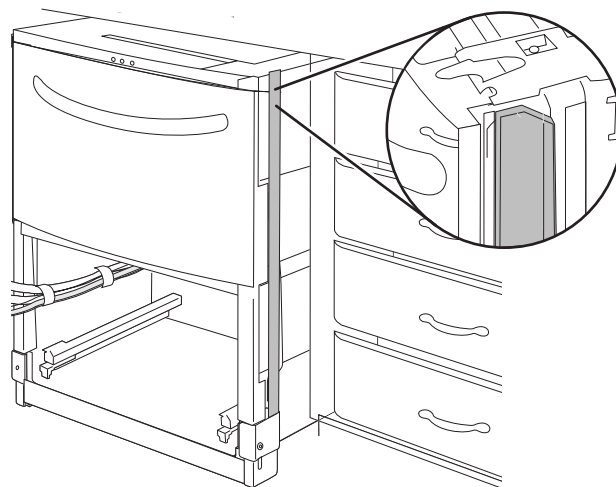
6. Coloque la tira de adorno en el soporte de la cubierta protectora.



7. Sujete el soporte de la cubierta protectora en el lado contrario.

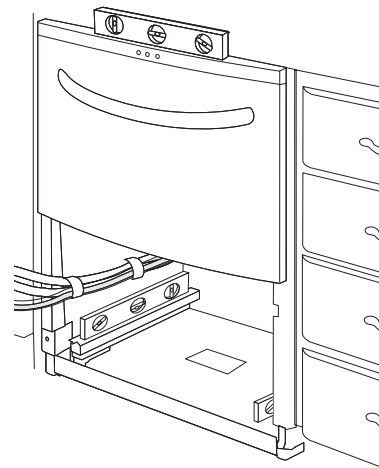


8. Coloque las tiras de adorno flexibles en ambos lados, como se muestra.

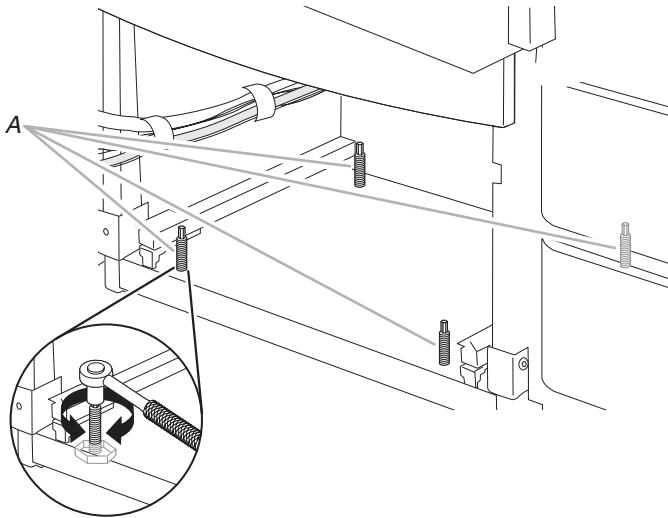


### Nivele y asegure la lavavajillas

1. Deslice la lavavajillas a su posición en la abertura del armario. Revise que la manguera de desagüe y el cableado eléctrico no estén retorcidos.
2. Revise la nivelación de izquierda a derecha colocando el nivel encima del cajón. Revise la nivelación de adelante hacia atrás colocando el nivel sobre los rieles deslizables.

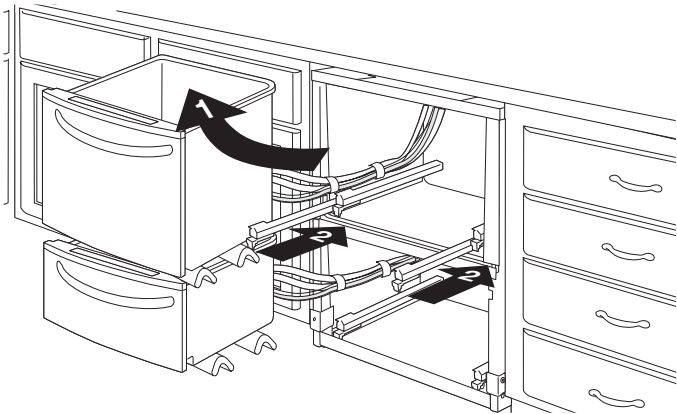


3. Para nivelar la lavavajillas, ajuste las patas con una llave de tubo de  $\frac{3}{16}$ ".

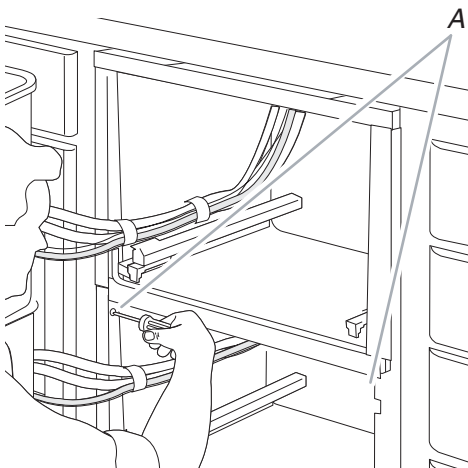


A. Ajuste las patas

4. Quite el cajón superior (se sigue el mismo procedimiento para quitar el cajón inferior), y colóquelo sobre el cajón inferior, separándolos con los esquineros del embalaje.



5. Sujete la lavavajillas al soporte de montaje inferior de la carcasa (el cual se instaló anteriormente).

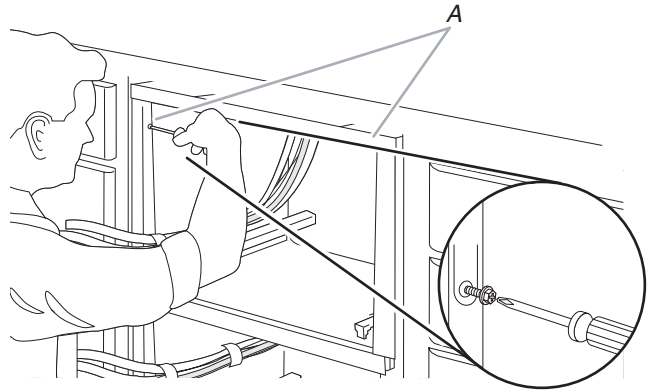


A. Sujete la lavavajillas al soporte de montaje inferior de la carcasa.

6. Sujete la lavavajillas a los soportes de montaje superiores de la carcasa.

### Opción 1: Mostrador de superficie sólida

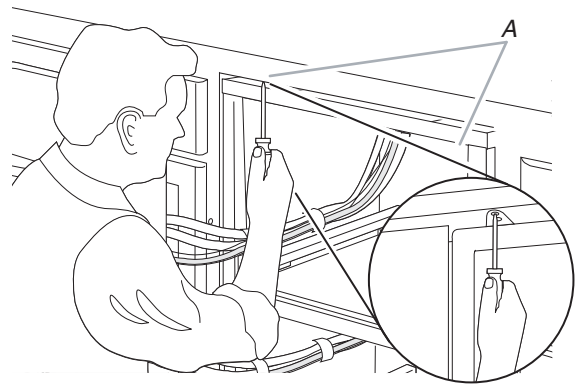
Sujete la lavavajillas a los soportes de montaje lateral de la carcasa (los cuales se instalaron anteriormente).



A. Sujete la lavavajillas a los soportes de montaje laterales de la carcasa.

### Opción 2: Mostrador de madera

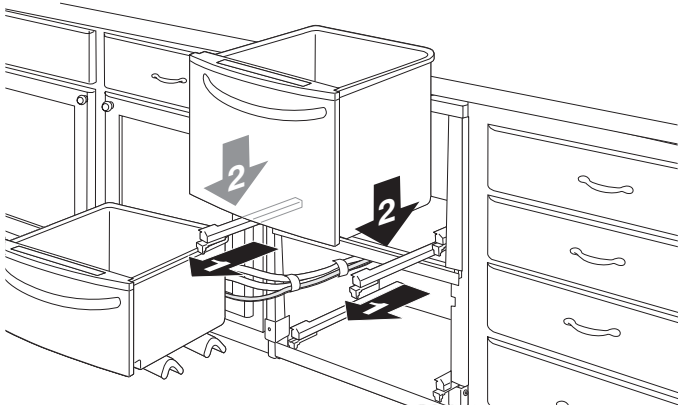
Sujete la lavavajillas al mostrador usando las lengüetas de montaje dobladas, ubicadas en la parte superior de la lavavajillas.



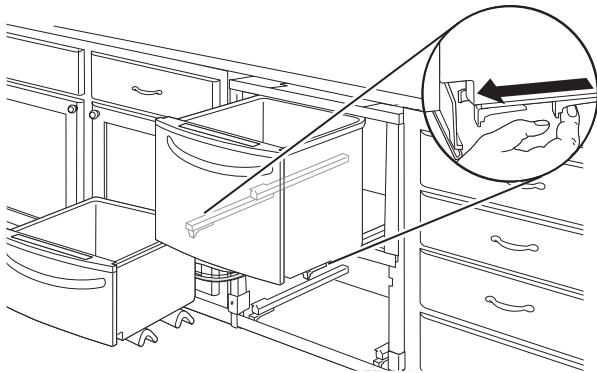
A. Sujete la lavavajillas al mostrador usando las lengüetas de montaje dobladas.

## Complete la instalación

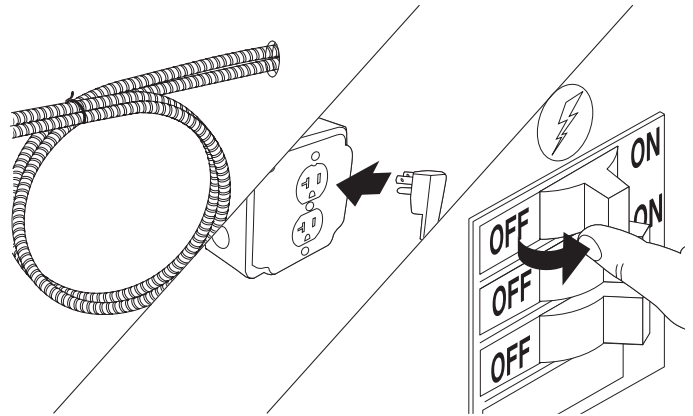
1. Jale hacia afuera los rieles deslizables del cajón superior y coloque el cajón superior en los mismos.



2. Jale hacia adelante los rieles deslizables hasta que encajen en su posición.



3. Empuje el cajón superior hacia adentro y repita los pasos anteriores con el cajón inferior.
4. En la carcasa que se encuentra debajo del fregadero, enrosque la manguera de desagüe que sobre y amárrela con una atadura. Enchufe la lavavajillas o reconecte el suministro de energía.



5. Seleccione el ciclo Rinse Only (Sólo enjuague) y presione START/RESUME (Inicio/Reanudar). Espere a que la lavavajillas se llene y lleve a cabo el enjuague y el desagüe. Revise si hay fugas. Si encuentra fugas, asegure la conexión y repita este paso.

### Si necesita ayuda o servicio técnico:

Sírvase consultar la sección "Ayuda o servicio técnico" de las Instrucciones para el usuario o póngase en contacto con el distribuidor en donde usted compró la lavavajillas.



# INSTRUCCIONES DE INSTALACIÓN DE LOS PANELES RECUBIERTOS

## Paneles de los cajones recubiertos a la medida

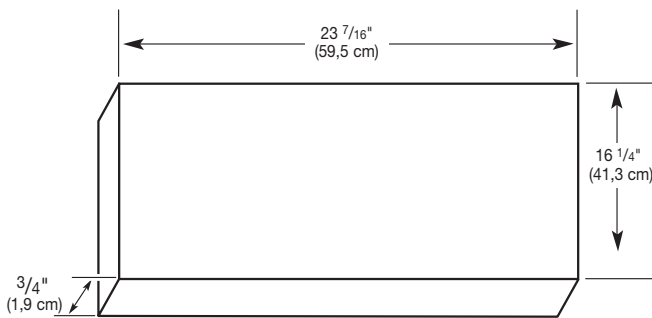
Si va a instalar paneles de madera a la medida, deberá hacerlos usted mismo o consultar un carpintero o fabricante de armarios calificado. Para obtener información acerca de las especificaciones de los paneles, vea los gráficos dimensionales.

### IMPORTANTE:

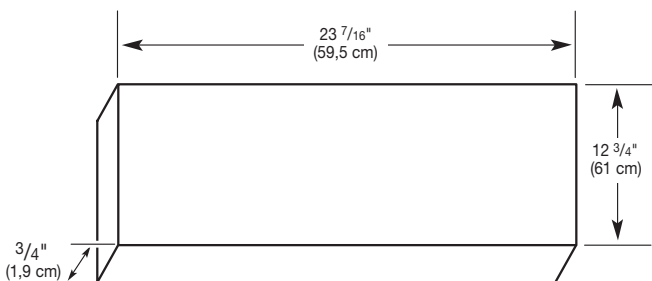
- El grosor del panel recubierto debe ser de  $\frac{1}{2}$ " (12,7 mm) a  $\frac{3}{4}$ " (19,05 mm).
- No sobrepase la medida de altura establecida para el(los) panel(es) recubierto(s). El(Los) panel(es) que sobrepasa(n) la medida de altura puede(n) dañar la lavavajillas de cajón, los armarios o el mostrador.
- El ancho del panel o los paneles recubiertos puede variar de acuerdo con el ancho de la abertura del armario.

### Dimensiones del panel recubierto

#### Panel del cajón superior



#### Panel del cajón inferior

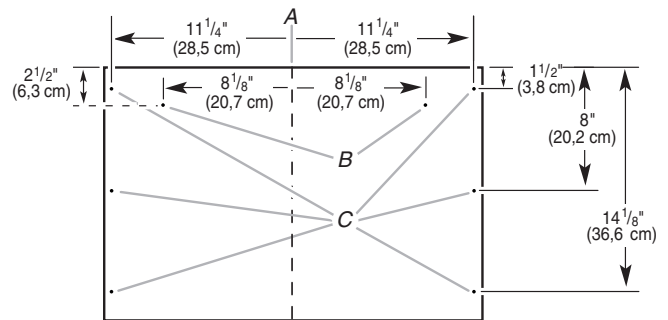


### Instalación de los herrajes

Centre los herrajes (de izquierda a derecha) sobre el panel recubierto. Asegúrese al instalar los herrajes que los tornillos de montaje estén al ras con la parte trasera del panel o los paneles recubiertos.

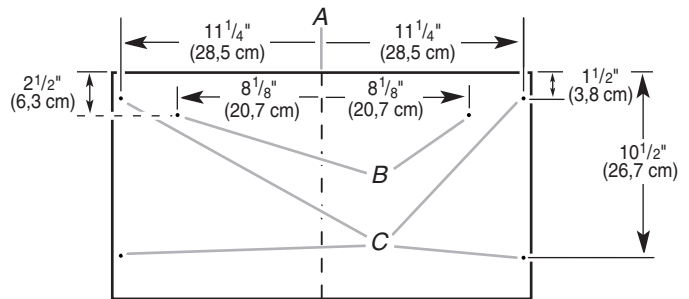
## Preparación de los paneles a la medida

1. Coloque los paneles a la medida (superior e inferior) boca abajo en una superficie limpia y blanda.
2. Con un lápiz, marque los puntos centrales para los dos orificios guía de los sujetadores de los paneles y los 6 orificios guía del panel superior.



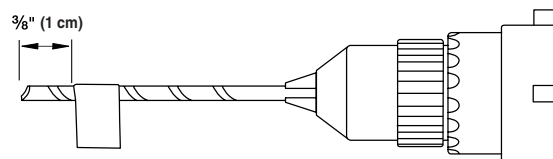
- A. Línea central
- B. Orificios guía para el sujetador del panel (2)
- C. Orificios guía (6)

3. Marque los puntos centrales para los orificios guía de los dos sujetadores de los paneles y los 4 orificios guía necesarios para el panel inferior.



- A. Línea central
- B. Orificios guía para el sujetador del panel (2)
- C. Orificios guía (4)

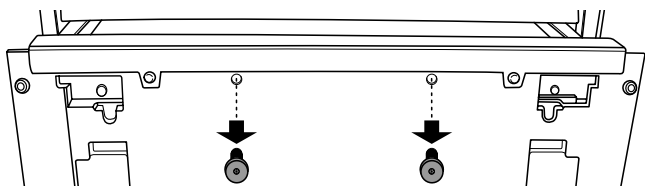
4. Con un taladro de  $\frac{1}{8}$ ", haga cada orificio de una profundidad de  $\frac{3}{8}$ " (1 cm).



**IMPORTANTE:** Pour éviter de percer jusqu'à l'avant du panneau décoratif, ne pas percer à une profondeur de plus de  $\frac{3}{8}$ " (1cm).

## Cómo instalar los sujetadores del panel

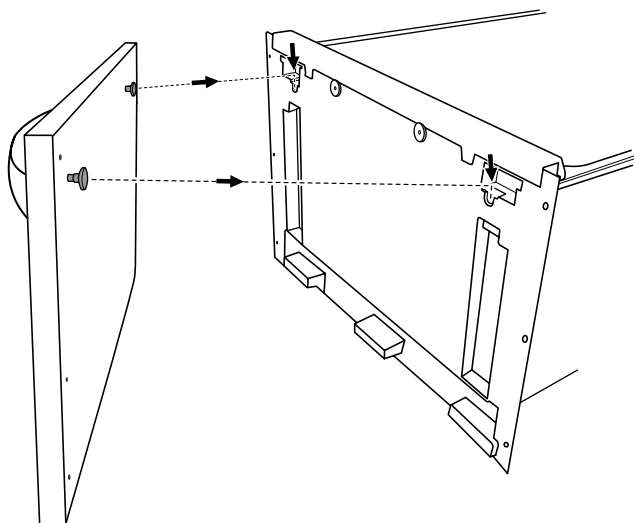
1. Quite los dos sujetadores de los paneles de la puerta interior del cajón superior.



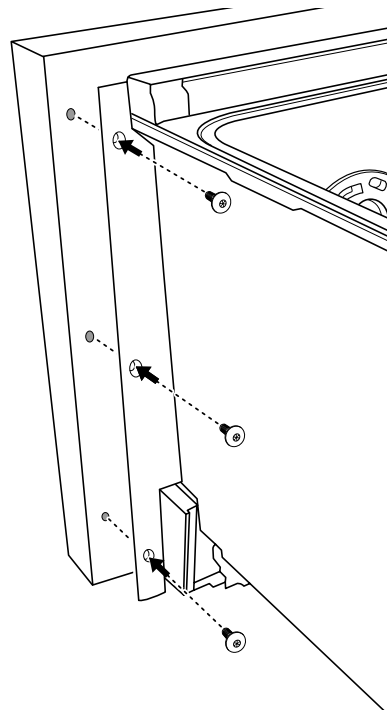
2. Atornille los dos sujetadores del panel en los orificios guía para los sujetadores del panel recubierto.
3. Repita los pasos 1 y 2 para el cajón inferior.

## Cómo montar el panel recubierto

1. Para colocar el panel recubierto superior en el cajón, alinee los sujetadores del panel a las dos ranuras de cerradura e inserte el panel.



2. Para asegurar el panel recubierto al cajón, ponga presión sobre el panel hasta que la parte superior del panel recubierto esté alineada con la parte superior del panel de control.
3. Usando los tornillos provistos, asegure el panel recubierto a la puerta interior atornillando a través de la misma, hasta los orificios guía de 1/8" (3,175 mm).



4. Repita los pasos 1 - 3 para el cajón inferior.

**NOTA:** Solo habrán 4 orificios guía (2 en la izquierda y 2 en la derecha), para el cajón inferior.

---

## Notas

# SÉCURITÉ DU LAVE-VAISSELLE

## Votre sécurité et celle des autres est très importante.

Nous donnons de nombreux messages de sécurité importants dans ce manuel et sur votre appareil ménager. Assurez-vous de toujours lire tous les messages de sécurité et de vous y conformer.



Voici le symbole d'alerte de sécurité.

Ce symbole d'alerte de sécurité vous signale les dangers potentiels de décès et de blessures graves à vous et à d'autres.

Tous les messages de sécurité suivront le symbole d'alerte de sécurité et le mot "DANGER" ou "AVERTISSEMENT". Ces mots signifient :

**⚠ DANGER**

**Risque possible de décès ou de blessure grave si vous ne suivez pas immédiatement les instructions.**

**⚠ AVERTISSEMENT**

**Risque possible de décès ou de blessure grave si vous ne suivez pas les instructions.**

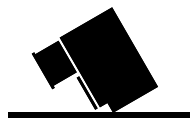
Tous les messages de sécurité vous diront quel est le danger potentiel et vous disent comment réduire le risque de blessure et ce qui peut se produire en cas de non-respect des instructions.

## IMPORTANTES INSTRUCTIONS DE SÉCURITÉ

**AVERTISSEMENT** : Lors de l'utilisation du lave-vaisselle, suivre les précautions élémentaires dont les suivantes :

- Lire la totalité des instructions avant d'utiliser le lave-vaisselle.
- N'utiliser le lave-vaisselle que pour laver la vaisselle.
- Utiliser les détergents ou agents de rinçage recommandés pour lave-vaisselle et les garder hors de la portée des enfants.
- Lorsque vous chargez le lave-vaisselle :
  - 1) Placer les objets coupants de façon qu'ils ne puissent endommager le joint de la porte; et
  - 2) Placer les couteaux le manche vers le haut de façon à ne pas vous couper.
- Ne pas laver d'articles en plastique à moins qu'ils ne soient marqués "Peut aller au lave-vaisselle" ou l'équivalent. Si l'article ne porte aucune indication, vérifier auprès du fabricant.
- Ne pas toucher l'élément chauffant pendant le fonctionnement ou immédiatement après.
- Ne pas faire fonctionner le lave-vaisselle si tous les panneaux de l'enceinte ne sont pas en place.
- Ne pas jouer avec les commandes.
- Ne pas abuser, vous asseoir ni monter sur la porte, le couvercle ou les paniers du lave-vaisselle.
- Pour éviter tout risque d'accident, ne pas laisser les enfants jouer dans ou sur le lave-vaisselle.
- Sous certaines conditions, de l'hydrogène peut se former dans un réseau d'eau chaude inutilisé depuis deux semaines ou plus. L'HYDROGÈNE EST UN GAZ EXPLOSIBLE. Si le système d'eau chaude n'a pas été utilisé depuis un certain temps, laisser couler l'eau chaude des robinets pendant quelques minutes avant de faire fonctionner le lave-vaisselle. Cette mesure permettra à l'hydrogène de s'évaporer. Ce gaz étant inflammable, ne pas fumer ni utiliser de flamme nue pendant cette période.
- Enlever la porte ou le couvercle du compartiment de lavage lorsque vous remplacez ou mettez au rebut un vieux lave-vaisselle.

## CONSERVEZ CES INSTRUCTIONS



## ⚠ AVERTISSEMENT

### Risque de basculement

**Ne pas ouvrir le tiroir du lave-vaisselle jusqu'à ce qu'il soit placé à l'intérieur de l'ouverture du placard.**

**Le non-respect de ces instructions peut causer un décès ou des blessures graves.**

## Opérations à exécuter :

- Ouvrir lentement le tiroir du lave-vaisselle tandis qu'une autre personne saisit/retient l'arrière du lave-vaisselle. Retirer les matériaux d'emballage. Fermer le tiroir du lave-vaisselle. Verrouiller le tiroir du lave-vaisselle.
- Respecter les prescriptions de tous les codes et règlements en vigueur.

- Installer le lave-vaisselle conformément aux présentes instructions.
- Veiller à disposer de tout ce qui est nécessaire pour l'installation correcte du lave-vaisselle.
- Contacter un installateur qualifié pour garantir que l'installation du lave-vaisselle soit exécutée conformément aux prescriptions de tous les codes et règlements nationaux et locaux régissant les installations électriques et de plomberie en vigueur.

# EXIGENCES D'INSTALLATION

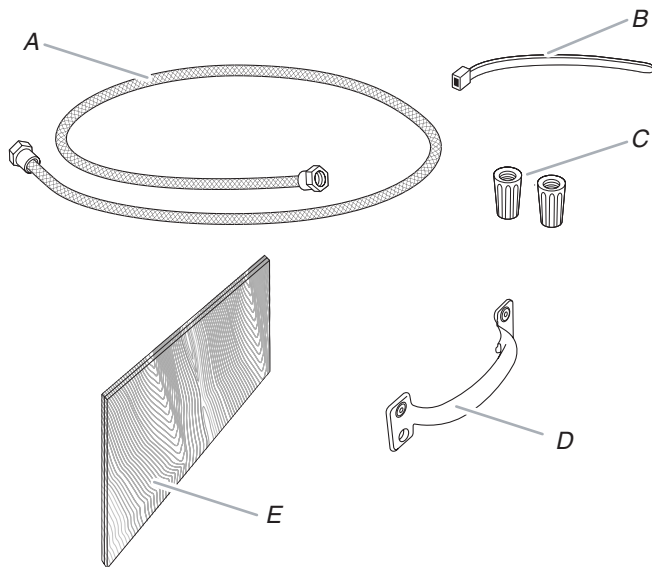
## Outillage et composants

Rassembler les outils et pièces nécessaires avant de commencer l'installation. Lire et suivre les instructions fournies avec les outils indiqués ici.

### Outillage nécessaire

- Pince
- Tournevis Philips
- Tournevis à lame plate
- Douilles hexagonales/ tourne-écrou -  $\frac{3}{16}$ " et  $\frac{1}{4}$ "
- Mètre ruban ou règle
- Scie à trou -  $1\frac{1}{2}$ "
- Clé à molette - 10"
- Couteau utilitaire
- Niveau
- Perceuse électrique
- Foret de -  $\frac{1}{8}$ "
- Tournevis TORX®† T-20 (pour l'installation de panneaux de façade personnalisés)

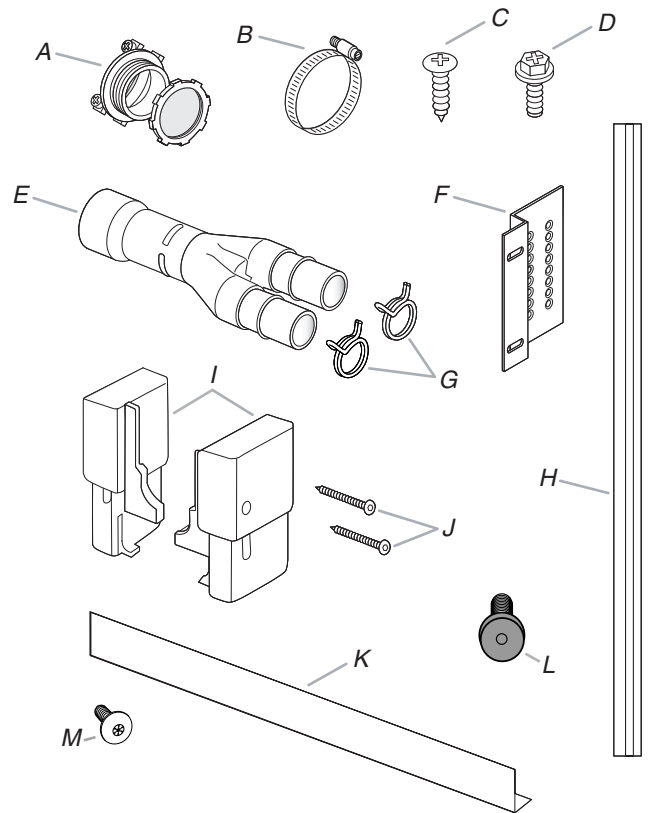
### Composants nécessaires



- A. Tuyau d'arrivée d'eau flexible 60" (152,4 cm)
- B. Attache en plastique
- C. 2 connecteurs de fils de taille appropriée - homologation UL
- D. Pièces de quincaillerie (pour l'installation de panneaux de façade personnalisés)
- E. Panneau décoratif (pour l'installation de panneaux de façade personnalisés)

### Pièces fournies

Vérifier la présence de toutes les pièces.



- A. Serre-câble  $\frac{3}{4}$ " - homologation UL
- B. Bride de tuyau 1,25"
- C. 8 vis de montage des brides
- D. 4 vis de fixation de l'appareil
- E. Raccord Y pour tuyau d'évacuation
- F. 4 brides de montage
- G. Brides de tuyau pour tuyau d'évacuation
- H. 2 cornières de garniture
- I. Brides pour cornière de plinthe
- J. 2 vis - fixation des brides de la cornière de plinthe
- K. Cornière de plinthe
- L. 2 vis de fixation de panneau (certains modèles)
- M. 10 vis TORX®† (certains modèles)

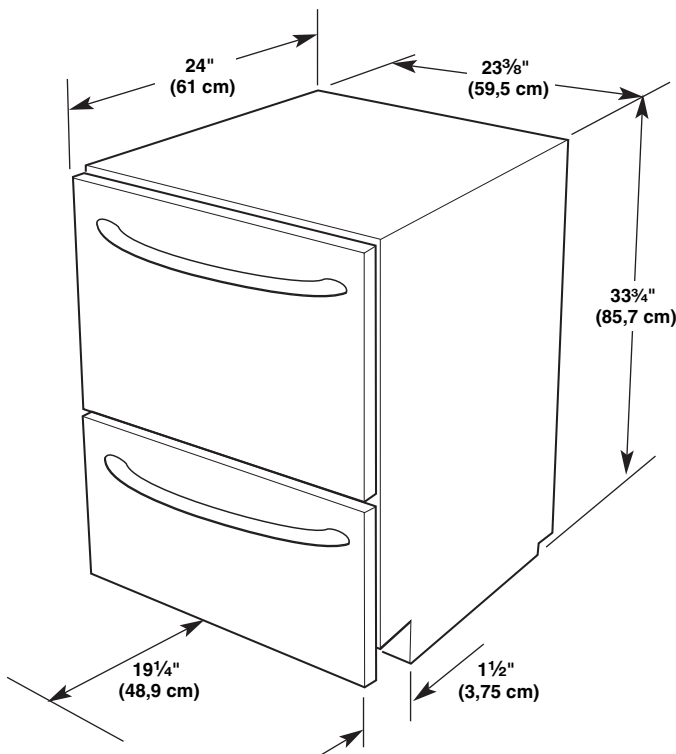
## Exigences d'emplacement

**IMPORTANT :** Observer les dispositions de tous les codes et règlements en vigueur. Le non-respect de ces codes et règlements pourrait entraîner un incendie ou un choc électrique.

C'est à l'utilisateur du produit qu'incombe la responsabilité de réaliser une installation correcte.

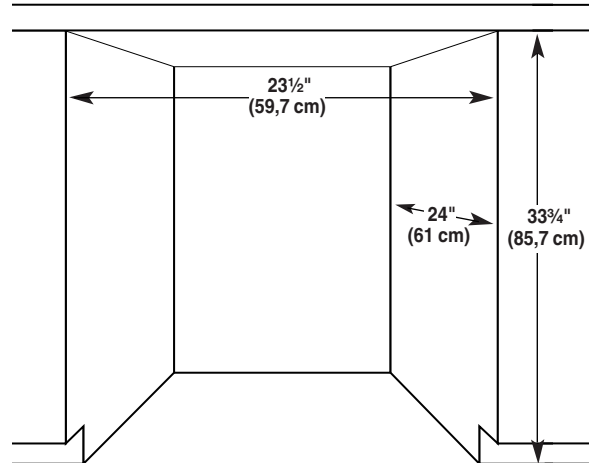
- Contacter un installateur qualifié pour garantir que l'installation du lave-vaisselle soit exécutée conformément aux prescriptions de tous les codes locaux et nationaux en vigueur régissant les installations d'électricité et de plomberie.
- Réaliser l'installation du lave-vaisselle tel que spécifié dans ces instructions.
- Veiller à disposer de tous les outils et composants nécessaires pour l'installation du lave-vaisselle.
- Protéger le lave-vaisselle et les canalisations d'eau qui l'alimentent contre le gel. La garantie de l'appareil ne couvre pas les dommages imputables au gel.
- Ce lave-vaisselle est conçu et fabriqué uniquement pour une utilisation à l'intérieur.
- Installer le lave-vaisselle d'aplomb en un endroit approprié sur un sol capable d'en soutenir le poids compte tenu de sa taille et de son utilisation.

## Dimensions du produit

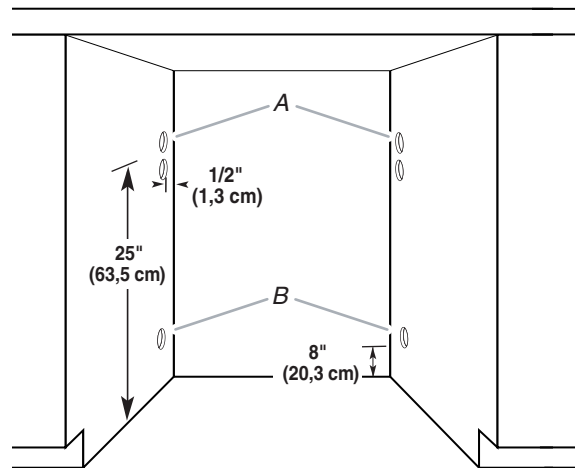


## Distances de dégagement à respecter

### Dimensions de l'espace d'installation



### Emplacements préférés pour le passage des tuyaux et du câble



A. Choisir la position d'installation des tuyaux d'eau et d'évacuation - à gauche ou à droite.

B. Choisir la position d'installation du câblage électrique - à gauche ou à droite.

**REMARQUE :** Diamètre de 1/2" (3,8 cm) pour tous les trous.

## Spécifications de l'alimentation en eau

- Canalisation d'eau chaude avec pression de 20-120 lb/po<sup>2</sup> (138-862 kPa).
- Admission dans le lave-vaisselle d'eau à température de 120°F (49°C).
- Raccordement entre l'appareil et la canalisation d'eau à l'aide d'un conduit flexible à gaine tressée en acier inoxydable (on déconseille l'emploi de tube de plastique - diamètre minimum 1/2").

## Spécifications électriques

### **⚠ AVERTISSEMENT**



#### Risque de choc électrique

**Brancher sur une prise à 3 alvéoles reliée à la terre.**

**Ne pas enlever la broche de liaison à la terre.**

**Ne pas utiliser un adaptateur.**

**Ne pas utiliser un câble de rallonge.**

**Le non-respect de ces instructions peut causer un décès, un incendie ou un choc électrique.**

### INSTRUCTIONS DE MISE À LA TERRE

#### ■ Pour un lave-vaisselle relié à la terre, branché avec un cordon :

Le lave-vaisselle doit être relié à la terre. En cas d'un mauvais fonctionnement ou d'une panne, la mise à terre réduira le risque d'un choc électrique en fournissant le moins de résistance pour le courant électrique. Le lave-vaisselle est équipé d'un cordon avec un conducteur pour relier les appareils à la terre. La fiche doit être branchée sur une prise appropriée, installée et reliée à la terre conformément aux codes et règlements locaux.

**AVERTISSEMENT :** La connexion incorrecte du conducteur pour relier les appareils à la terre peut causer le risque de choc électrique. Vérifier avec un électricien compétent ou un représentant de service si vous avez des doutes si le lave-vaisselle est correctement relié à la terre. Ne pas modifier la fiche fournie avec le lave-vaisselle; si elle n'entre pas dans la prise, faire installer une prise appropriée par un électricien compétent.

#### ■ Pour un lave-vaisselle branché en permanence :

Le lave-vaisselle doit être branché à un système d'installation électrique permanent en métal relié à la terre, ou un conducteur pour relier les appareils doit être relié avec les conducteurs du circuit et branché à une borne pour relier les appareils à la terre ou au cordon d'alimentation électrique avec le lave-vaisselle.

### CONSERVEZ CES INSTRUCTIONS

Contactez un électricien qualifié.

Vérifier que le circuit d'alimentation disponible est adéquat et conforme aux prescriptions de tous les codes et règlements nationaux et locaux en vigueur.

Caractéristiques de la source d'électricité nécessaire :

- 120 V, 60 Hz, CA, fusible de 15 ou 20 A.
- Conducteurs de cuivre seulement.

Nous recommandons :

- Fusible temporisé ou disjoncteur.
- Alimentation par un circuit distinct.

### Raccordement direct du lave-vaisselle :

- Utiliser un câble flexible à conducteurs de cuivre, avec gaine métallique ou non métallique et conducteur de raccordement à la terre, qui satisfait aux exigences des codes et règlements locaux en vigueur.
- Utiliser le serre-câble fourni pour le raccordement le boîtier de raccordement de la maison, ou installer un serre-câble (homologation UL/CSA) sur le boîtier de raccordement de la maison. Dans le cas de l'utilisation de conduit, utiliser un connecteur de conduit (homologation UL/CSA).

### Branchement de l'appareil à l'aide d'un cordon d'alimentation :

- Utiliser le cordon d'alimentation (pièce no 4317824) conçu pour l'utilisation avec un lave-vaisselle; cet ensemble comporte:
  - Cordon d'alimentation à 3 conducteurs de calibre 16, avec fiche de branchement à 3 broches, pour liaison à la terre - homologation UL (Voltex, Inc.).
  - Serre-câble 3/8" (Neer, C-500).
  - 3 connecteurs de fils
  - Passe-fil (pièce no 302797).

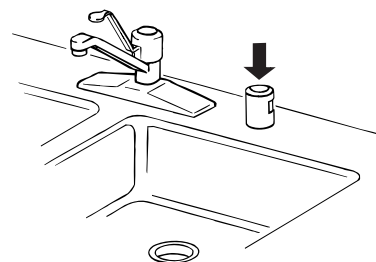
Pour l'installation du cordon d'alimentation, exécuter les instructions fournies avec l'ensemble.

- La fiche du cordon d'alimentation doit être branchée sur une prise de courant de même configuration, à 3 alvéoles, reliée à la terre, installée dans le placard à côté de l'espace d'installation du lave-vaisselle. La prise de courant doit satisfaire les prescriptions de tous les codes et règlements locaux en vigueur.

**IMPORTANT :** Si on envisage l'installation d'un broyeur à déchets, un circuit électrique additionnel est également nécessaire - 120 V, 60 H, CA, fusible de 15 ou 20 A seulement.

### Évacuation de l'eau de lavage - Critères à respecter

- Utiliser le tuyau d'évacuation neuf fourni avec l'appareil. Si la longueur de ce tuyau n'est pas suffisante, utiliser un autre tuyau d'évacuation avec longueur maximale de 12 pi (3,7 m), conforme aux prescriptions de la norme AHAM/IAPMO, résistant à la chaleur et au détergent, et compatible avec le raccord de connexion de 1" (2,5 cm) du lave-vaisselle.
- Connecter le tuyau d'évacuation sur un raccord T ou à l'entrée du broyeur à déchets au-dessus du siphon du circuit d'évacuation de la maison et à au moins 20" (50,8 cm) au-dessus du plancher. On recommande de former une boucle avec le tuyau d'évacuation (arrimage avec une attache de plastique sous le plan de travail), ou de connecter le tuyau d'évacuation à un brise-vide.



- Si le tuyau d'évacuation doit être raccordé au circuit d'évacuation de la maison à moins de 20" (50,8 cm) au-dessus du sous-sol ou du sol, utiliser un brise-vide.
- Utiliser des raccords de diamètre interne de 1/2" (1,3 cm) ou plus.

# INSTRUCTIONS D'INSTALLATION

## ⚠ AVERTISSEMENT



### Risque de choc électrique

Interrompre l'alimentation électrique avant d'installer le lave-vaisselle (au niveau du tableau de distribution - fusible ou disjoncteur)

Le non-respect de cette instruction peut causer un décès ou un choc électrique.

1. Déconnecter la source de courant électrique.
2. Fermer l'arrivée d'eau.

## Déballage du lave-vaisselle

## ⚠ AVERTISSEMENT

### Risque du poids excessif

Utiliser deux personnes ou plus pour déplacer et installer le lave-vaisselle.

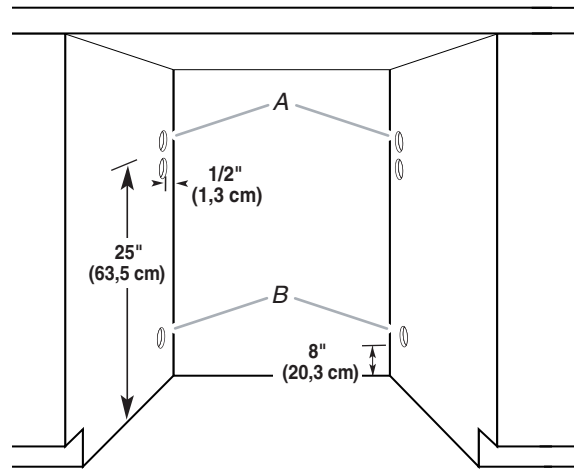
Le non-respect de cette instruction peut causer une blessure au dos ou d'autre blessure.

1. Avant d'ouvrir l'emballage du produit, lire toute l'information utile à l'extérieur.
2. Enlever les matériaux d'emballage, les rubans adhésifs et le film de protection sur le lave-vaisselle. Retirer le sachet de pièces qui se trouve à l'intérieur du lave-vaisselle.

## Préparation de l'espace d'installation entre les placards

1. Pour respecter les valeurs minimales de dégagement de séparation :
  - Mesurer la distance entre le plan de travail et le plancher; veiller à disposer d'une hauteur libre de 33 $\frac{3}{4}$ " (85,7 cm) ou plus.
  - Mesurer la distance entre l'avant du placard et le mur arrière; veiller à disposer d'une profondeur de 24" (61 cm) ou plus.
  - Mesurer la distance entre le côté gauche et le côté droit de l'espace d'installation; veiller à disposer d'une largeur de 23 $\frac{1}{2}$ " (59,7 cm) ou plus.

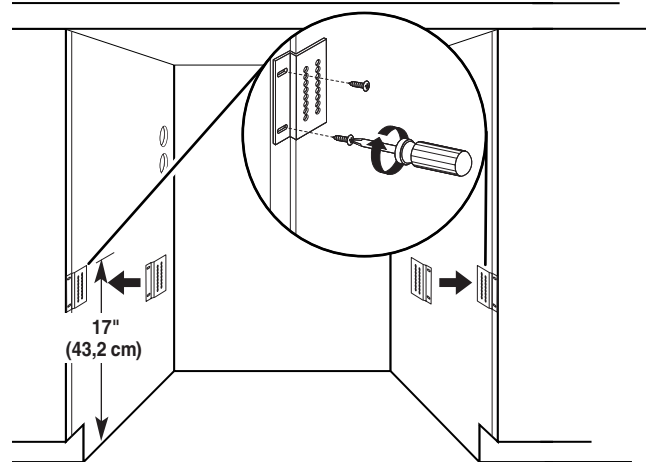
2. Percer des trous de 1 $\frac{1}{2}$ " (3,8 cm) aux emplacements indiqués sur l'illustration, pour le passage du tuyau d'évacuation, du tuyau d'arrivée d'eau et du câblage électrique. Placer ces trous à  $\frac{1}{2}$ " (1,3 cm) du mur arrière.



A. Choisir la position d'installation des tuyaux d'eau et d'évacuation - à gauche ou à droite.

B. Choisir la position d'installation du câblage électrique - à gauche ou à droite.

3. Installer des brides de montage à 17" (43,2 cm) du sol - utiliser les vis fournies. Si nécessaire, percer des avant-trous de  $\frac{1}{8}$ " dans la paroi de chaque placard.

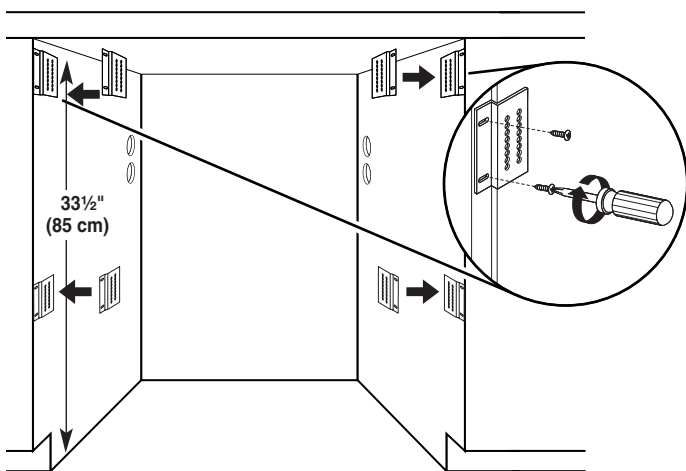


4. Choisir la méthode à employer pour la fixation du lave-vaisselle au plan de travail.



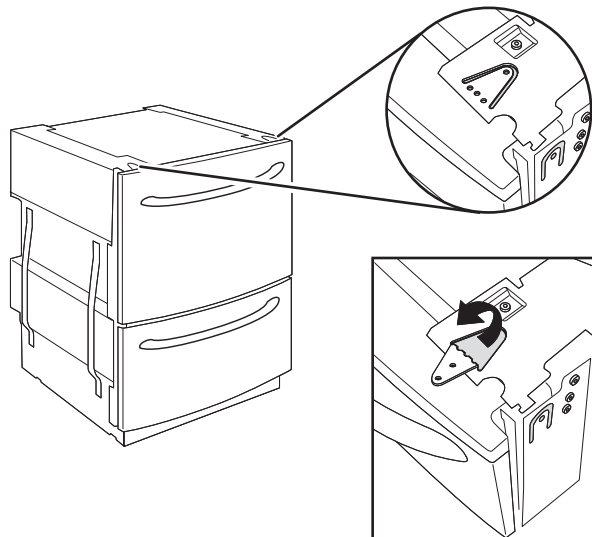
### Option 1 : Plan de travail en matériau dur

- Installer un second jeu de brides de montage à 33½" (85 cm) du plancher. Si nécessaire, percer des avant-trous de ⅛" dans la paroi de chaque placard.



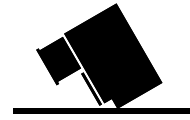
### Option 2 : Plan de travail en bois

- Préparer le lave-vaisselle - rabattre les pattes situées à l'avant/au sommet - voir l'illustration.



## Préparation du lave-vaisselle

### ⚠ AVERTISSEMENT



#### Risque de basculement

Ne pas ouvrir le tiroir du lave-vaisselle jusqu'à ce qu'il soit placé à l'intérieur de l'ouverture du placard.

Le non-respect de ces instructions peut causer un décès ou des blessures graves.

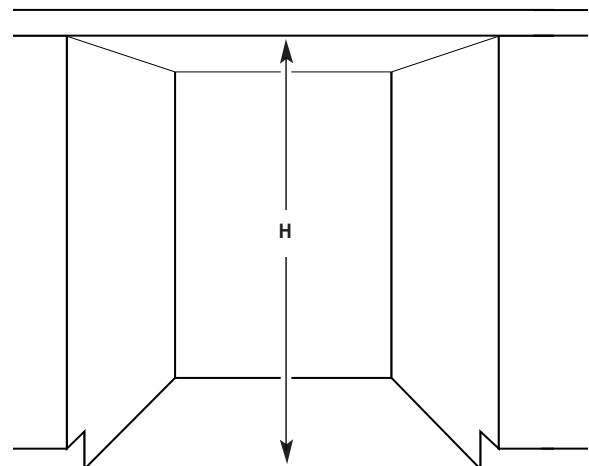
### ⚠ AVERTISSEMENT

#### Risque du poids excessif

Utiliser deux personnes ou plus pour déplacer et installer le lave-vaisselle.

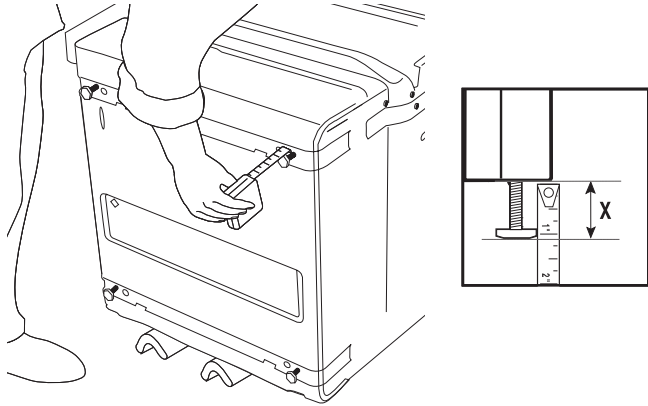
Le non-respect de cette instruction peut causer une blessure au dos ou d'autre blessure.

1. Mesurer la hauteur libre de l'espace d'installation, entre le plancher et la face inférieure du plan de travail.



2. Placer des cornières de l'emballage sur le sol; placer le lave-vaisselle en appui sur la face arrière.

3. Ajuster la longueur de déploiement des pieds, selon la hauteur libre de l'espace d'installation - voir le tableau ci-dessous.



H	: X	H	: X
33 7/8" (86 cm)	: 0"	34 1/2" (87,6 cm)	: 5/8" (1,6 cm)
34" (86,3 cm)	: 1/8" (0,3 cm)	34 5/8" (87,9 cm)	: 3/4" (1,9 cm)
34 1/8" (86,7 cm)	: 1/4" (0,6 cm)	34 3/4" (88,3 cm)	: 7/8" (2,2 cm)
34 1/4" (87 cm)	: 3/8" (1 cm)	34 7/8" (88,6 cm)	: 1" (2,5 cm)
34 3/8" (87,3 cm)	: 1/2" (1,3 cm)	35" (88,9 cm)	: 1 1/8" (2,9 cm)

4. Redresser le lave-vaisselle à la position verticale.

## Installation du câblage électrique

### ⚠ AVERTISSEMENT



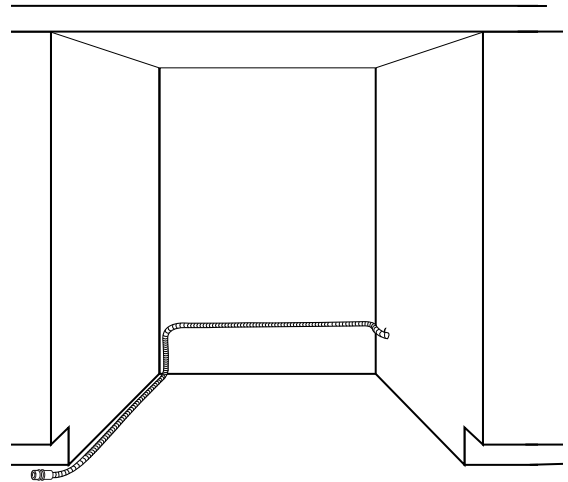
#### Risque de choc électrique

Interrompre l'alimentation électrique avant d'installer le lave-vaisselle (au niveau du tableau de distribution - fusible ou disjoncteur)

Le non-respect de cette instruction peut causer un décès ou on choc électrique.

Pour l'installation du câblage électrique jusqu'à l'appareil, observer les dispositions de tous les codes et règlements nationaux et locaux.

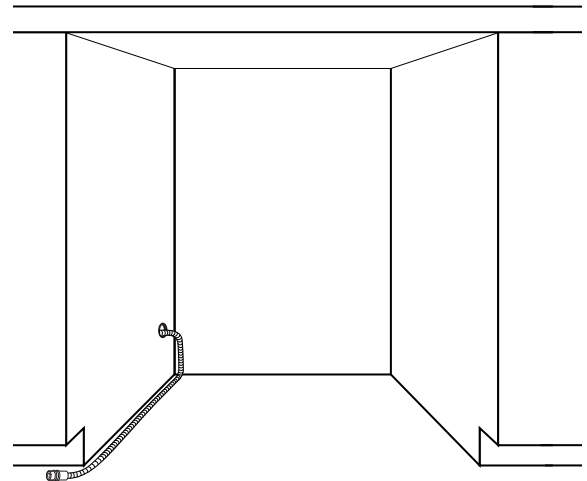
### Option 1 : Acheminement du câblage électrique par le côté droit



Faire passer le câblage à travers un trou de 1 1/2" placé à 8" au-dessus du sol.

Après avoir fait passer le câble électrique à travers un trou sur le côté droit, fixer le câble à l'arrière de l'espace d'installation à 8" (20,32 cm) au-dessus du sol. Poursuivre l'installation du câble le long du côté gauche de l'espace d'installation, jusqu'à l'avant de l'espace d'installation.

### Option 2 : Acheminement du câblage électrique par le côté gauche

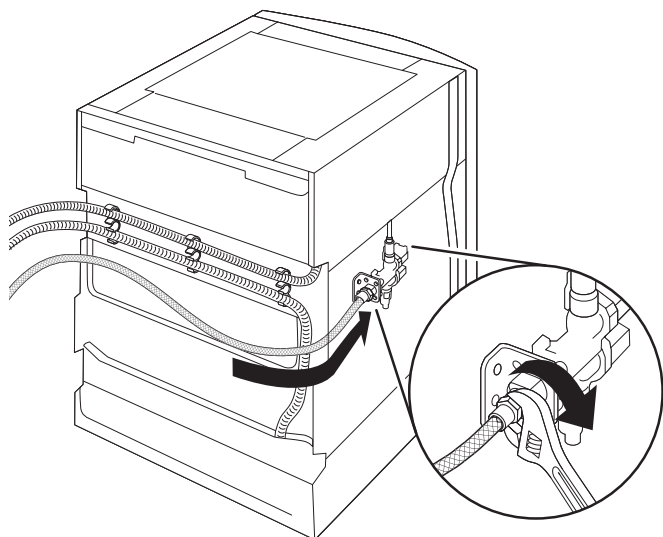


Faire passer le câble à travers un trou de 1 1/2" placé à 8" au-dessus du sol.

Après avoir fait passer le câble électrique à travers un trou sur le côté gauche, fixer le câble le long du côté gauche de l'espace d'installation, jusqu'à l'avant de l'espace d'installation.

## Installation du tuyau d'arrivée d'eau et du tuyau d'évacuation

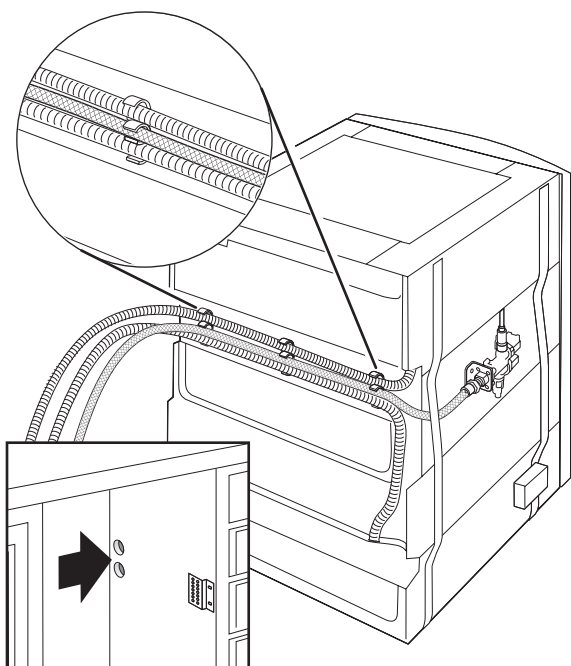
1. Connecter le tuyau d'arrivée d'eau sur l'électrovanne d'admission sur le lave-vaisselle.



2. Installer le tuyau d'arrivée d'eau et le tuyau d'évacuation, selon la configuration d'installation.

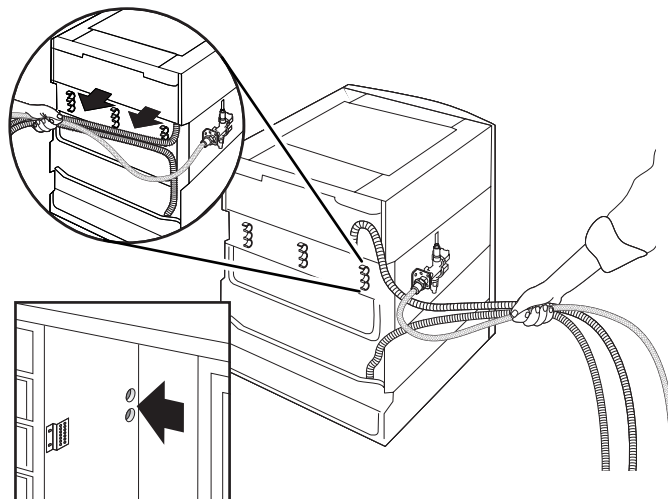
### Option 1 : Acheminement des tuyaux par le côté droit

- Pour l'arrivée des tuyaux par le côté droit, le tuyau d'arrivée d'eau et le tuyau d'évacuation sont fournis à la position correcte. Placer le tuyau d'arrivée d'eau dans les agrafes - voir l'illustration.

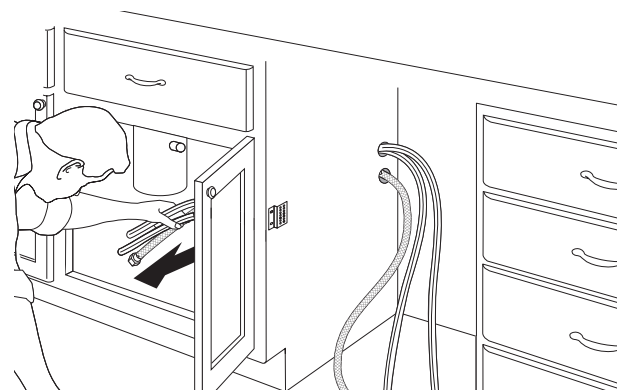


### Option 2 : Acheminement des tuyaux par le côté gauche

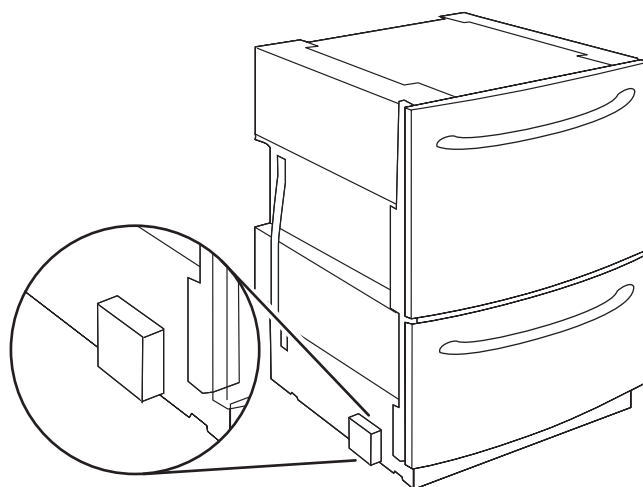
- Pour l'arrivée des tuyaux par le côté gauche, dégager les deux parties du tuyau d'évacuation des agrafes à l'arrière de l'appareil - voir l'illustration.



- Faire passer le tuyau d'arrivée d'eau et le tuyau d'évacuation à travers les trous percés dans le placard.

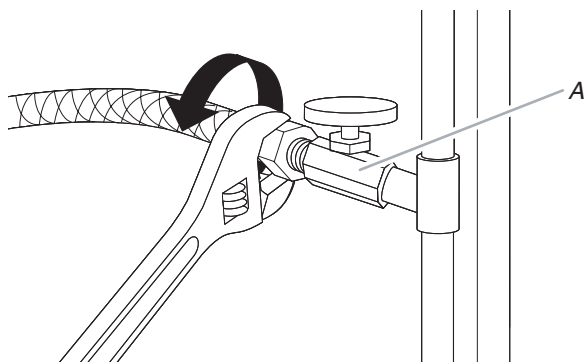


- Engager partiellement le lave-vaisselle dans l'espace d'installation. Veiller à ce qu'il demeure possible d'accéder au boîtier de raccordement électrique.



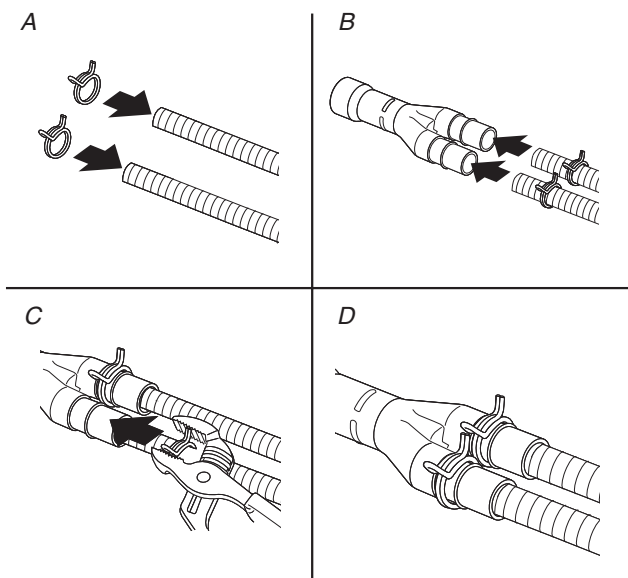
## Raccordement du tuyau d'arrivée d'eau et du tuyau d'évacuation

1. Connecter le tuyau d'arrivée d'eau au robinet d'arrêt sous l'évier.



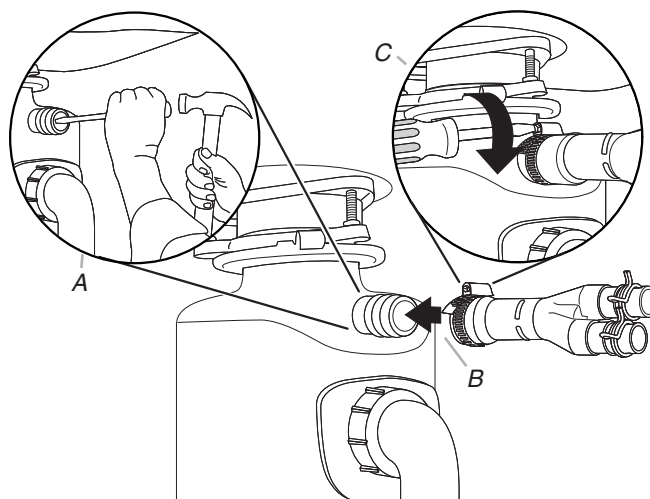
A. Arrivée d'eau chaude - robinet d'arrêt

2. Enfiler les brides sur les tuyaux d'évacuation (Figure A). Ne pas couper les tuyaux d'évacuation.
3. Engager complètement les tuyaux sur les branches du raccord Y du circuit d'évacuation (Figure B); on doit percevoir plusieurs "clics".
4. Placer la bride de serrage à la position appropriée sur chaque branche du raccord Y (figures C et D).



5. Connecter le tuyau d'évacuation - utiliser l'une des options suivantes :

### Option 1 : Installation avec broyeur à déchets/pas de brise-vide

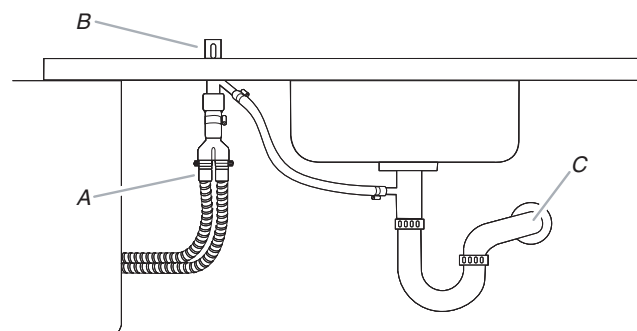


A. Pour une construction neuve, ôter l'opercule d'obturation du broyeur à déchets.

B. Raccorder le raccord Y du circuit d'évacuation au broyeur à déchets.

C. Serrer la bride.

### Option 2 : Installation sans broyeur à déchets/avec brise-vide

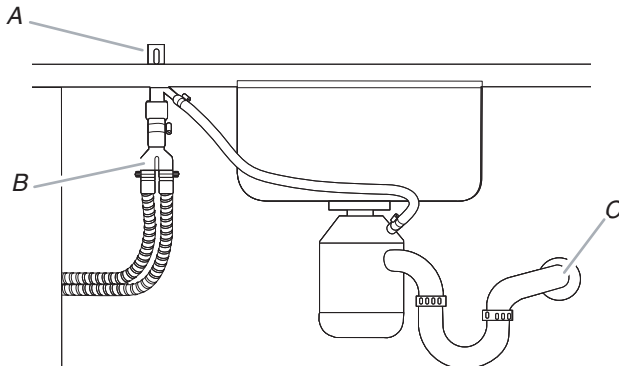


A. Raccord Y du circuit d'évacuation

B. Brise-vide

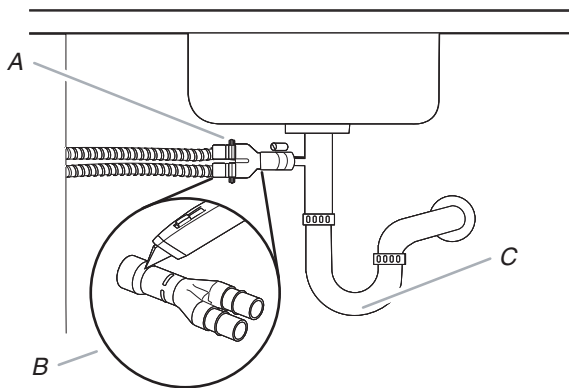
C. Circuit d'évacuation de la maison

### Option 3 : Installation avec broyeur à déchets et brise-vide



A. Raccord Y du circuit d'évacuation.  
B. Brise-vide  
C. Circuit d'évacuation de la maison

### Option 4 : Installation sans broyeur à déchets/sans brise-vide



A. Raccord Y du circuit d'évacuation  
B. Couper le raccord de connexion  
C. Circuit d'évacuation de la maison

**REMARQUE :** Raccorder le raccord Y du circuit d'évacuation au circuit d'évacuation de la maison - utiliser la bride de tuyau fournie.

6. Ouvrir l'arrivée d'eau; inspecter pour rechercher des fuites.

## Raccordement du circuit électrique

### ⚠ AVERTISSEMENT

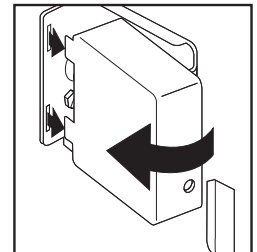
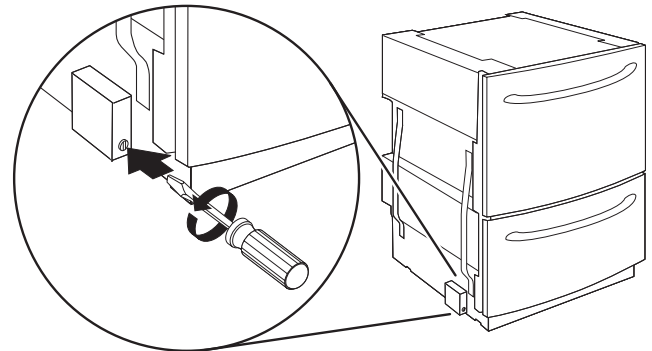


#### Risque de choc électrique

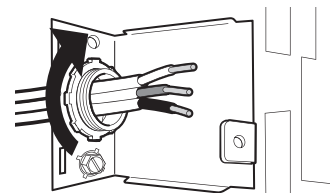
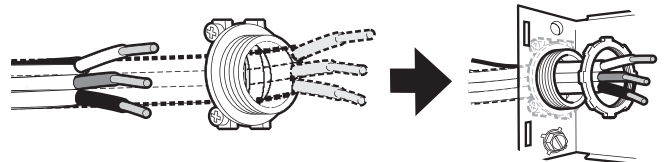
Interrompre l'alimentation électrique avant d'installer le lave-vaisselle (au niveau du tableau de distribution - fusible ou disjoncteur)

Le non-respect de cette instruction peut causer un décès ou un choc électrique.

1. Ôter la vis fixant le couvercle du boîtier de raccordement électrique. Ôter le couvercle.



2. Insérer les conducteurs électriques à travers le serre-câble; serrer le câble dans le serre-câble; fixer le serre-câble sur la plaque du boîtier de raccordement.



# ⚠ AVERTISSEMENT



## Risque de choc électrique

Relier le lave-vaisselle à la terre d'une méthode électrique.

Brancher le fil relié à la terre au connecteur vert relié à la terre dans la boîte de la borne.

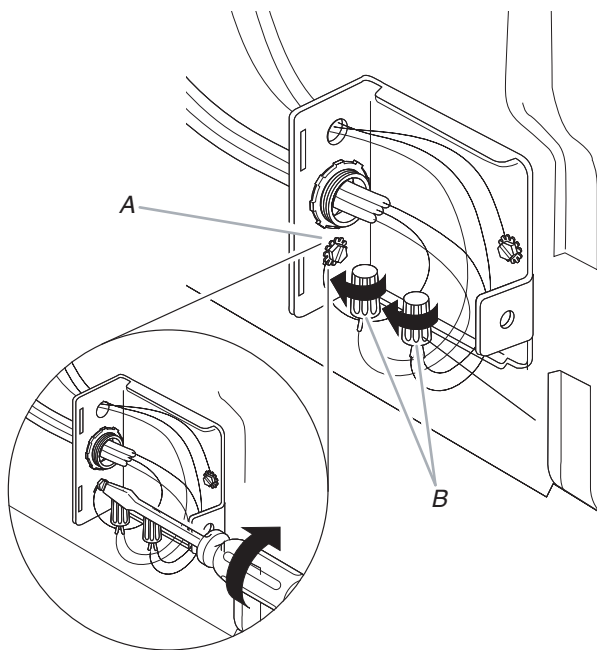
Ne pas utiliser un câble de rallonge.

Le non-respect de ces instructions peut causer un décès, un incendie ou un choc électrique.

3. Raccorder les conducteurs à l'aide de connecteurs de fils de taille appropriée pour le raccordement des conducteurs du câble et des conducteurs de calibre 16 du lave-vaisselle, comme suit.

Conducteur d'alimentation :		Conducteur dans le boîtier de l'appareil :
Blanc	↔	Blanc
Noir	↔	Noir
Conducteur de liaison à la terre	↔	Vis de liaison à la terre

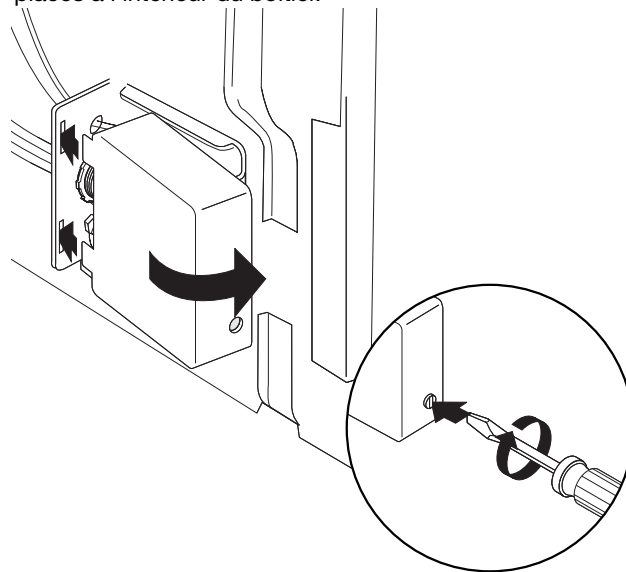
4. Fixer le conducteur de liaison à la terre sous la vis verte de liaison à la terre.



A. Fixer le conducteur de liaison à la terre sous la vis verte de liaison à la terre.

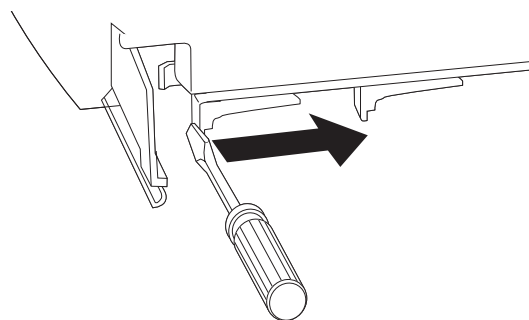
B. Connecter ensemble les conducteurs blancs et les conducteurs noirs.

5. Réinstaller le couvercle du boîtier de raccordement électrique. Veiller à ce que tous les conducteurs soient bien placés à l'intérieur du boîtier.

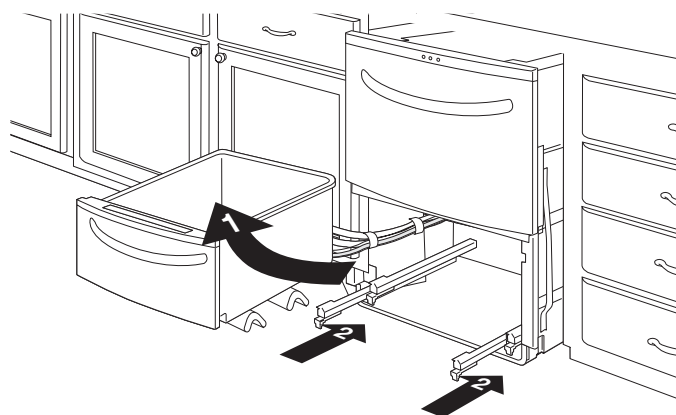


## Installation des pièces de garniture

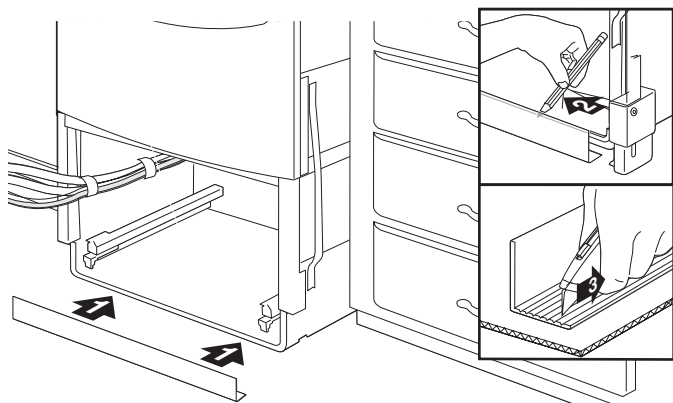
1. Ouvrir le tiroir inférieur de l'appareil.
2. Pousser les agrafes et faire glisser les glissières vers l'arrière, de 5" (12,7 cm).



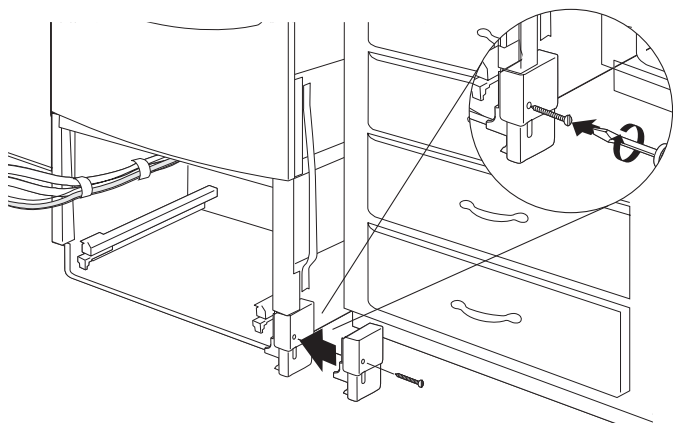
3. Soulever le tiroir pour le séparer des glissières. Placer le tiroir à gauche sur des matériaux de protection. Réinsérer les glissières dans le lave-vaisselle.



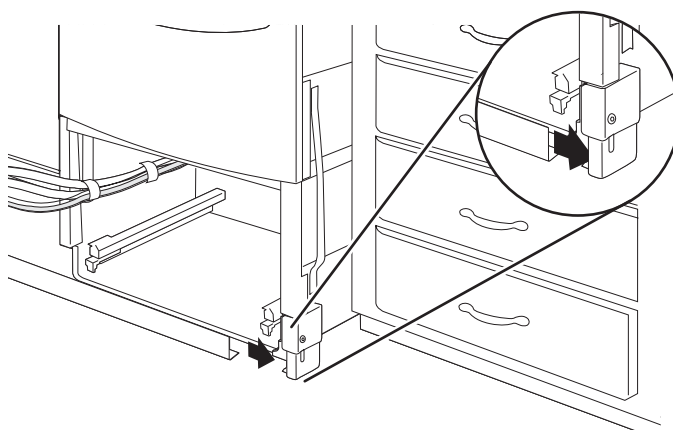
4. Placer la cornière de garniture sur le sol et marquer sur la garniture le niveau correspondant au sommet du rebord du châssis. Choisir la rainure la plus proche du repère tracé. Si le repère est entre deux rainures, choisir la rainure pour laquelle la cornière de garniture sera la plus courte. Sur une surface protégée, couper la cornière de garniture au niveau de la rainure choisie.



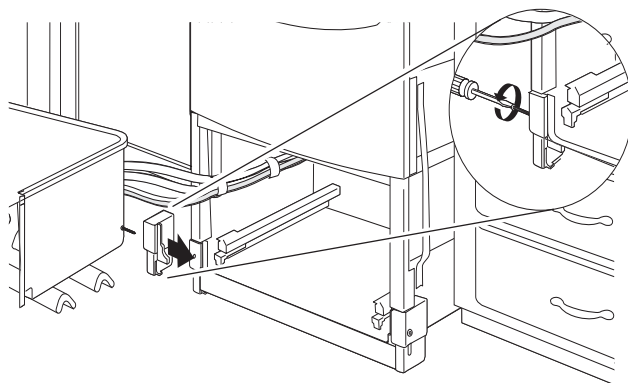
5. Fixer la bride de la cornière de plinthe sur le châssis.



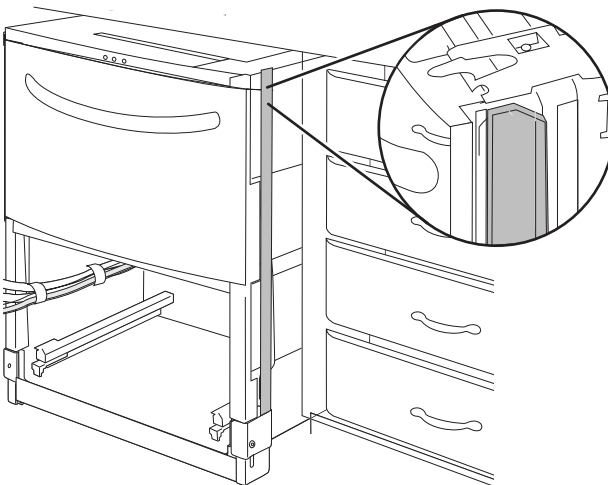
6. Insérer la cornière de garniture (plinthe) dans la bride de plinthe.



7. Fixer la bride de la cornière de plinthe du côté opposé.

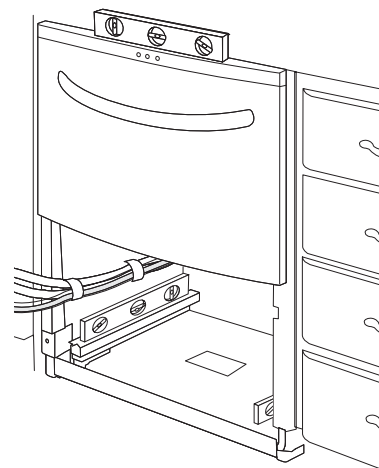


8. Installer une cornière de garniture latérale flexible de chaque côté - voir l'illustration.

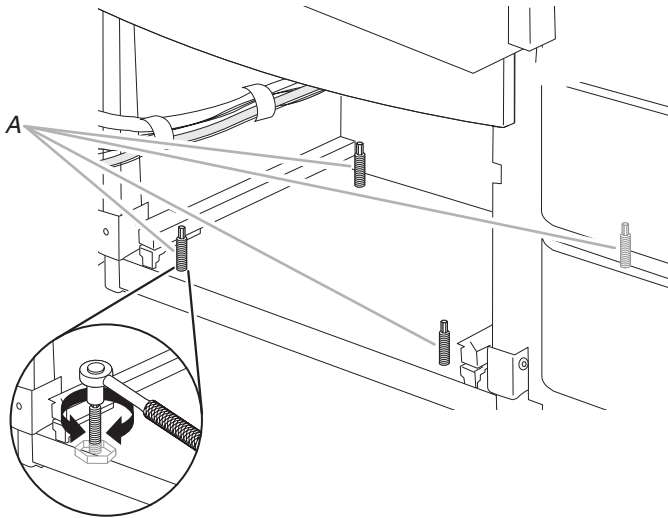


## Établissement de l'aplomb du lave-vaisselle; arrimage de l'appareil

1. Faire glisser le lave-vaisselle jusqu'à sa position de service finale dans l'espace d'installation entre les placards. Vérifier que les tuyaux et le câblage électrique ne sont pas déformés/écrasés.
2. Contrôler l'aplomb transversal : placer un niveau au sommet du tiroir. Contrôler l'aplomb avant/arrière : placer un niveau sur une glissière.

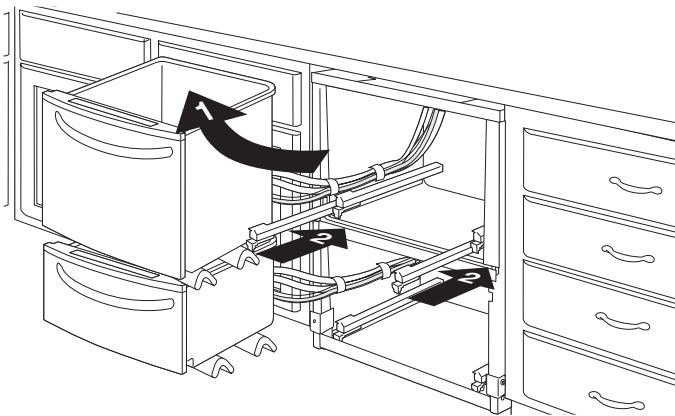


3. Établir l'aplomb du lave-vaisselle : ajuster la longueur de déploiement des pieds - utiliser une douille de  $\frac{3}{16}$ ".

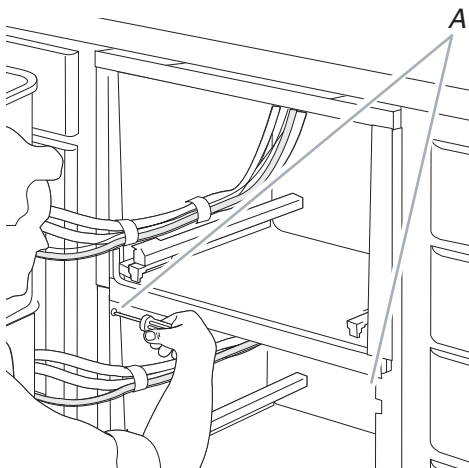


A. Réglage du déploiement des pieds

4. Ôter le tiroir supérieur (même processus que pour le tiroir inférieur); placer le tiroir supérieur sur le tiroir inférieur, en appui sur des cornières de carton séparant les deux tiroirs.



5. Assujettir le lave-vaisselle aux brides de montage inférieures (installées précédemment sur les placards).

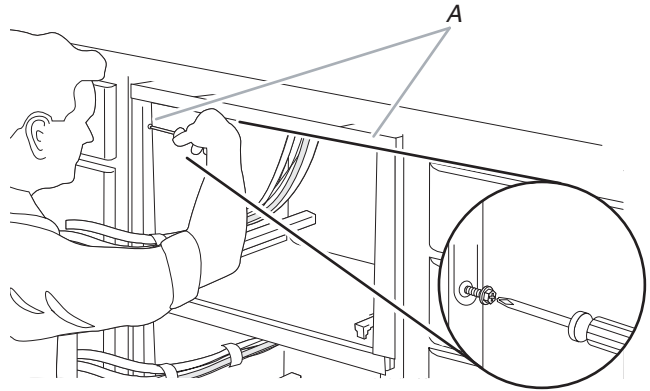


A. Assujettir le lave-vaisselle aux brides de montage inférieures.

6. Assujettir le lave-vaisselle aux brides de montage supérieures.

### Option 1 : Plan de travail en matériau dur

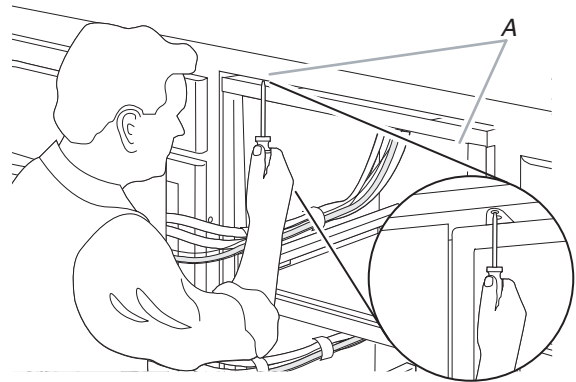
Assujettir le lave-vaisselle aux brides de montage latérales (installées précédemment sur les parois des placards).



A. Assujettir le lave-vaisselle aux brides de montage latérales.

### Option 2 : Plan de travail en bois

Assujettir le lave-vaisselle au plan de travail - utiliser les pattes de montage qui ont été précédemment rabattues au sommet du lave-vaisselle.

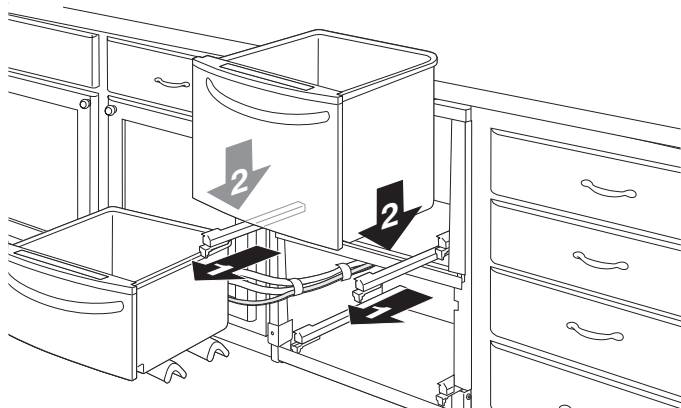


A. Assujettir le lave-vaisselle au plan de travail - utiliser les pattes de montage qui ont été précédemment rabattues au sommet du lave-vaisselle.

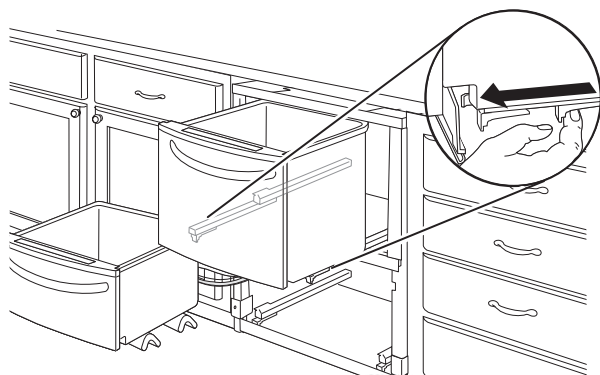


## Achever l'installation

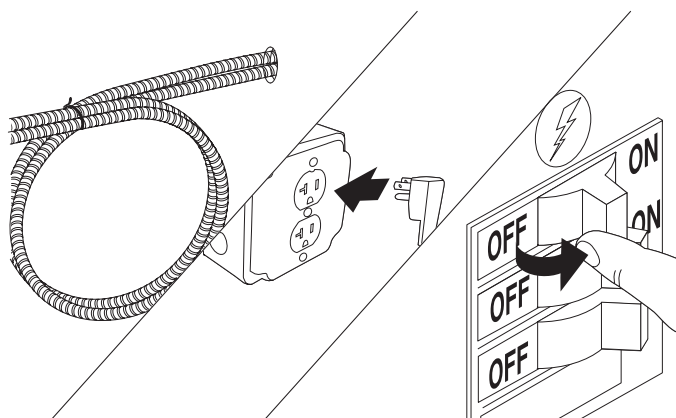
1. Déployer les glissières du tiroir supérieur; installer le tiroir supérieur sur les glissières.



2. Déployer les glissières jusqu'à la position d'emboîtement.



3. Pousser complètement le tiroir dans son logement; répéter le processus ci-dessus pour le tiroir inférieur.
4. Dans le placard sous l'évier, former une boucle avec l'excès de longueur du tuyau d'évacuation. Utiliser l'attache de plastique pour former et immobiliser la boucle. Brancher le lave-vaisselle ou reconnecter la source de courant électrique.



5. Sélectionner le programme Rinse Only (rinçage seulement) et appuyer sur le bouton START/RESUME. Laisser le lave-vaisselle effectuer le processus de remplissage, rinçage et vidange de l'eau. Inspecter l'appareil pour identifier toute fuite. Si des fuites sont détectées, resserrer les connexions concernées et répéter le processus de contrôle.

### Si vous avez besoin d'assistance ou de service :

Consulter la section "Assistance ou service" des Instructions d'utilisation ou contacter le marchand chez qui vous avez acheté votre lave-vaisselle.

# INSTRUCTIONS D'INSTALLATION DU PANNEAU DÉCORATIF

## Panneaux décoratifs de tiroirs personnalisés

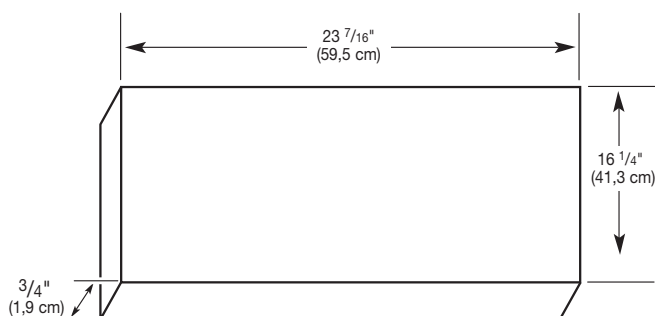
Si vous envisagez d'installer des panneaux personnalisés en bois, vous devrez les créer vous-même ou consulter un ébéniste ou un menuisier qualifié. Voir le dessin des dimensions pour les spécifications du panneau.

### IMPORTANT :

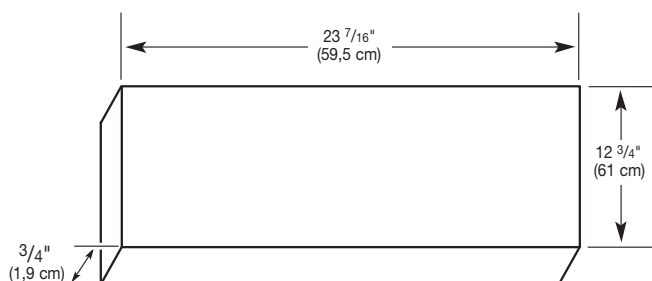
- L'épaisseur du panneau décoratif doit être comprise entre  $\frac{1}{2}$ " (12,7 mm) et  $\frac{3}{4}$ " (19,05 mm).
- Respecter les dimensions indiquées pour la hauteur des panneaux décoratifs. Si la hauteur est supérieure à la valeur recommandée, le tiroir du lave-vaisselle, les placards ou le plan de travail risquent d'être endommagés.
- La largeur des panneaux décoratifs peut varier en fonction de la largeur de l'espace d'installation de la caisse.

## Dimensions du panneau décoratif

### Panneau du tiroir supérieur



### Panneau du tiroir inférieur

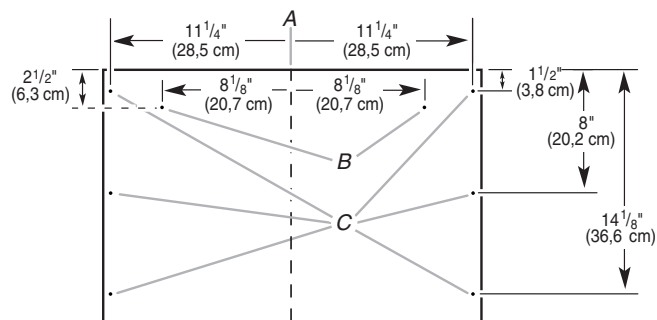


## Installation des pièces de quincaillerie

Centrer les pièces de quincaillerie (de gauche à droite) sur le panneau décoratif. Lors de l'installation des pièces de quincaillerie, veiller à ce que les vis de fixation soient en affleurement avec l'arrière des panneaux décoratifs.

## Préparation des panneaux personnalisés

1. Placer les panneaux personnalisés (haut et bas) face vers le bas sur une surface propre et souple.
2. À l'aide d'un crayon, noter les points centraux pour les deux avant-trous du dispositif de fixation des panneaux et les six avant-trous nécessaires pour le panneau supérieur.

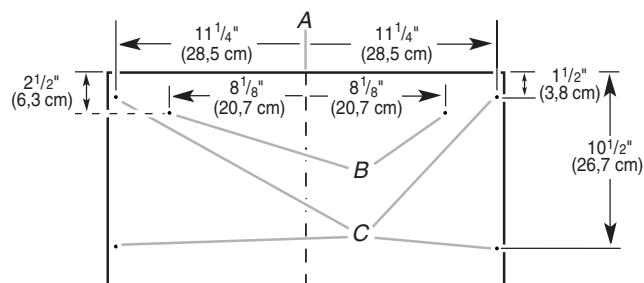


A. Ligne centrale

B. Avant-trous pour le dispositif de fixation du panneau (2)

C. Avant-trous (6)

3. Marquer les points centraux pour les deux avant-trous du dispositif de fixation du panneau et les quatre avant-trous nécessaires pour le panneau inférieur.

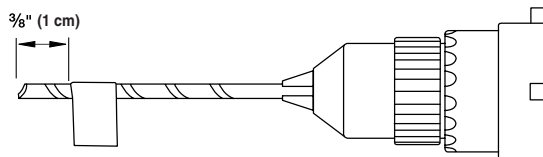


A. Ligne centrale

B. Avant-trous pour le dispositif de fixation du panneau (2)

C. Avant-trous (4)

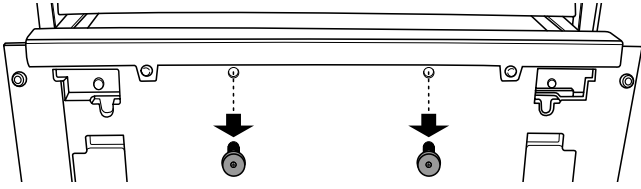
4. À l'aide d'un foret de  $\frac{1}{8}$ " , percer chaque trou à  $\frac{3}{8}$ " (1 cm) de profondeur.



**IMPORTANT :** Pour éviter de percer jusqu'à l'avant du panneau décoratif, ne pas percer à une profondeur de plus de  $\frac{3}{8}$ " (1 cm).

## Installation des dispositifs de fixation de panneau

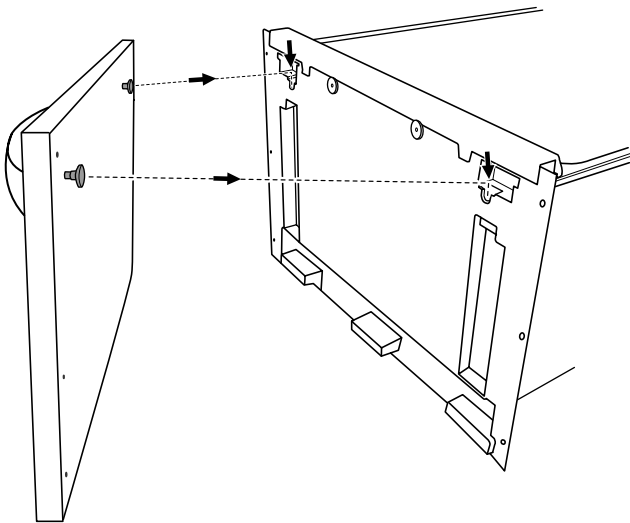
1. Ôter les deux dispositifs de fixation de panneau de la face de la porte interne du tiroir supérieur.



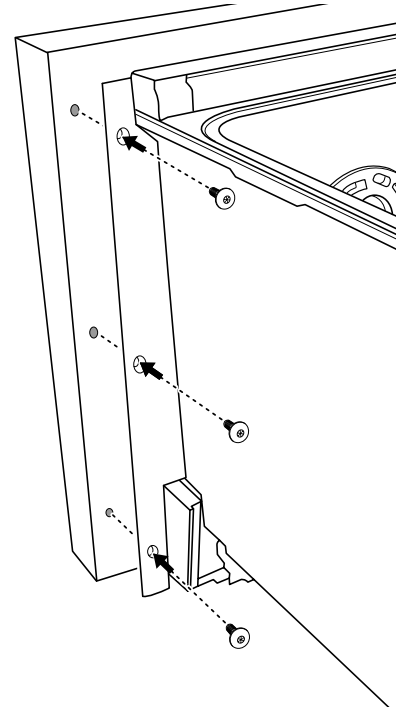
2. Visser les deux dispositifs de fixation de panneau dans les avant-trous percés à cet effet dans le panneau décoratif.
3. Répéter les étapes 1 et 2 pour le tiroir inférieur.

## Montage du panneau décoratif

1. Monter le panneau décoratif supérieur sur le tiroir en alignant les dispositifs de fixation de panneau avec les deux encoches en trou de serrure et insérer le panneau.



2. Pour fixer le panneau décoratif sur le tiroir, pousser le panneau décoratif vers le bas jusqu'à ce que la partie supérieure du panneau décoratif soit en affleurement avec la partie supérieure du panneau de commande.
3. À l'aide des vis fournies, fixer le panneau décoratif sur la porte interne en vissant à travers la porte interne et dans les avant-trous de 1/8" (3,175 mm).



4. Répéter les étapes 1 à 3 pour le tiroir inférieur.  
**REMARQUE :** Il y aura uniquement quatre avant-trous (deux à gauche et deux à droite) pour le tiroir inférieur.

**W10118037B**

© 2008. All rights reserved.

Todos los derechos reservados.  
Tous droits réservés.

® Registered Trademark/TM Trademark of KitchenAid, U.S.A., KitchenAid Canada licensee in Canada

® Marca registrada/TM Marca de comercio de KitchenAid, U.S.A., usada en Canadá bajo licencia de KitchenAid Canada  
® Marque déposée/TM Marque de commerce de KitchenAid, U.S.A., Emploi sous licence par KitchenAid Canada au Canada

2/08

Printed in U.S.A.

Impreso en EE.UU.  
Imprimé aux É.-U.

## Free Manuals Download Website

<http://myh66.com>

<http://usermanuals.us>

<http://www.somanuals.com>

<http://www.4manuals.cc>

<http://www.manual-lib.com>

<http://www.404manual.com>

<http://www.luxmanual.com>

<http://aubethermostatmanual.com>

Golf course search by state

<http://golfingnear.com>

Email search by domain

<http://emailbydomain.com>

Auto manuals search

<http://auto.somanuals.com>

TV manuals search

<http://tv.somanuals.com>